

CHICAGO

Electric[®] Power Tools

4.8 V CORDLESS CAULKING GUN KIT

Model 94849

SET UP AND OPERATING INSTRUCTIONS



Diagrams within this manual may not be drawn proportionally.

Due to continuing improvements, actual product may differ slightly from the product described herein.

Distributed exclusively by Harbor Freight Tools[®].

3491 Mission Oaks Blvd., Camarillo, CA 93011

Visit our website at: <http://www.harborfreight.com>



**Read this material before using this product.
Failure to do so can result in serious injury.
SAVE THIS MANUAL.**

Copyright[®] 2006 by Harbor Freight Tools[®]. All rights reserved. No portion of this manual or any artwork contained herein may be reproduced in any shape or form without the express written consent of Harbor Freight Tools.

For technical questions or replacement parts, please call 1-800-444-3353.

Cover revised 07i

Specifications

Functions	Cordless rechargeable battery powered caulking gun
Power Supply	Rechargeable 4.8 VDC NiCd Battery
Safety Clutch	Protects tool from overload
Caulk Type	Standard Cartridge up to 10.5 oz.

Construction	ABS Gun Housing, Steel Tube, Alloy Steel Pusher
Charging Unit	120 V~ 7-9 hour Charger
Variable Speed	6 speeds Rotary Selector

Save This Manual

You will need the manual for the safety warnings and precautions, assembly instructions, operating and maintenance procedures, parts list and diagram. Keep your invoice with this manual. Write the invoice number on the inside of the front cover. Keep the manual and invoice in a safe and dry place for future reference.

Safety Warnings and Precautions

WARNING: When using tool, basic safety precautions should always be followed to reduce the risk of personal injury and damage to equipment.

Read all instructions before using this tool!

1. **Keep work area clean.** Cluttered areas invite injuries.
2. **Observe work area conditions.** Do not use machines or power tools in damp or wet locations. Don't expose to rain. Keep work area well lit. Do not use electrically powered tools in the presence of flammable gases or liquids.
3. **Keep children away.** Children must never be allowed in the work area. Do not let them handle machines, tools, or extension cords.
4. **Store idle equipment.** When not in use, tools must be stored in a dry location to inhibit rust. Always lock up tools and keep out of reach of children.
5. **Use the right tool for the job.** Do not attempt to force a small tool or attachment to do the work of a larger industrial tool. There are certain applications for which this tool was designed. It will do the job better and more safely at the rate for which it was intended. Do not modify this tool and do not use this tool for a purpose for which it was not intended.
6. **Dress properly.** Do not wear loose clothing or jewelry as they can be caught in moving parts. Protective, electrically non-conductive clothes and nonskid footwear are recommended when working. Wear restrictive hair covering to contain long hair.

7. **Use eye and ear protection.** Always wear ANSI-approved impact safety goggles and full face shield. Wear an ANSI-approved dust mask or respirator when working around metal, wood, and chemical dusts and mists.
8. **Do not overreach.** Keep proper footing and balance at all times. Do not reach over or across running machines.
9. **Maintain tools with care.** Keep tools maintained and clean for better and safer performance. Follow instructions for lubricating and changing accessories. Inspect tool cords periodically and, if damaged, have them repaired by an authorized technician. The handles must be kept clean, dry, and free from oil and grease at all times.
10. **Disconnect power.** Unplug Battery Charger when not in use.
11. **Remove adjusting keys and wrenches.** Check that keys and adjusting wrenches are removed from the tool or machine work surface before using the tool.
12. **Avoid unintentional starting.** Be sure the switch is in the Off position when not in use. Do not carry any tool with your finger on the trigger, whether the battery is installed or not.
13. **Stay alert.** Watch what you are doing, use common sense. Do not operate any tool when you are tired.
14. **Check for damaged parts.** Before using any tool, any part that appears damaged should be carefully checked to determine that it will operate properly and perform its intended function. Check for alignment and binding of moving parts; any broken parts or mounting fixtures; and any other condition that may affect proper operation. Any part that is damaged should be properly repaired or replaced by a qualified technician.
15. **Guard against electric shock.** Prevent body contact with grounded surfaces such as pipes, radiators, ranges, and refrigerator enclosures.
16. **Replacement parts and accessories.** When servicing, use only identical replacement parts. Use of any other parts will void the warranty. Only use accessories intended for use with this tool. Approved accessories are available from Harbor Freight Tools.
17. **Do not operate tool if under the influence of alcohol or drugs.** Read warning labels on prescriptions to determine if your judgment or reflexes are impaired while taking drugs. If there is any doubt, do not operate the tool.
18. **Maintenance.** For your safety, service and maintenance should be performed regularly by a qualified technician.

Using the Battery Charger

NOTE: Battery will not reach full charge the first time it is charged. Allow several cycles (operation followed by recharging) before the Battery will become fully charged.

Note: Performance of the charger may vary depending on variations in local line voltage. Extension cord usage may also affect tool performance.

NOTE: During recharging, the Battery will become slightly warm to the touch. This is normal and not a cause for concern. Do not keep the Battery or charger in an environment of extreme heat or cold. They will work best at room temperature.

Battery Temperature Warning:

WARNING: Battery explosion may cause serious personal or property injury including death. Charge the Battery only within a 50° to 100° F. temperature range. Lower temperatures may inhibit charging. Higher temperatures increase chance of battery failure, including explosion.

Always allow a battery that is warm from use to cool before charging.

Battery Charger Safety:

1. Charge the Battery only with the included charger. Use of other chargers may cause battery failure including explosion.
2. Ensure that the Battery Charger is connected only to a 120 VAC, 60 Hz power supply that includes a circuit breaker.

Cordless Tool Safety:

1. Before inserting the Battery Pack into the tool, check to be sure that the Trigger operates properly, and returns to the OFF position when released.
2. Use only fully charged Battery Pack specifically designed for this tool. Insert the Battery Pack into the handle. Ensure that the Battery Lock is engaged securely holding the Battery Pack in place.

Warning: The warnings, cautions, and instructions discussed in this instruction manual cannot cover all possible conditions and situations that may occur. It must be understood by the operator that common sense and caution are factors which cannot be built into this product, but must be supplied by the operator.

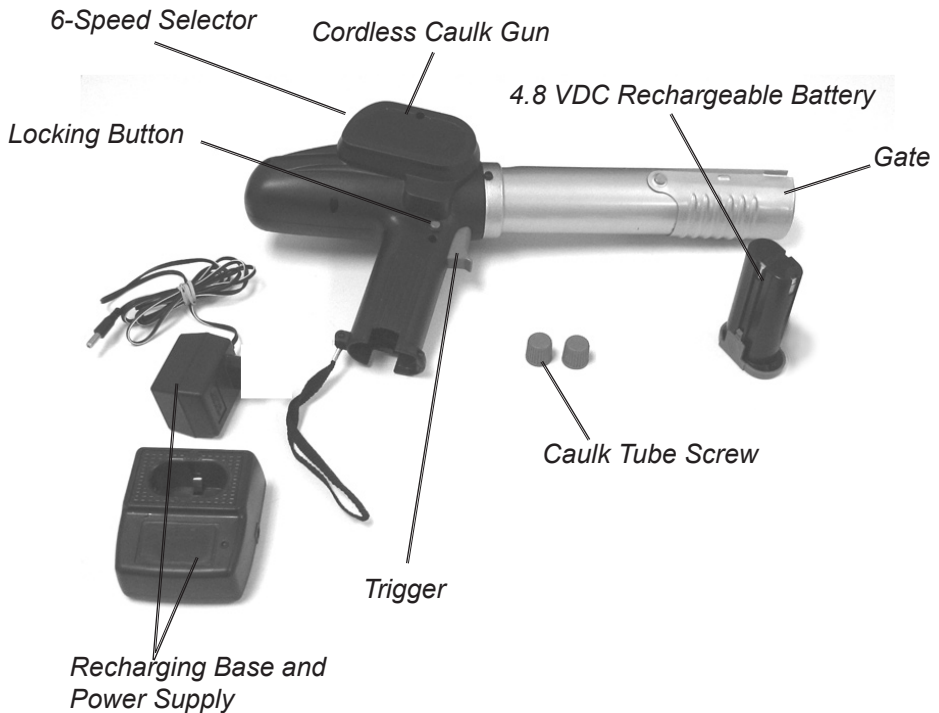
Unpacking

When unpacking, check to make sure that the product is intact and undamaged, and all accessories listed below are included.

*Cordless Caulk Gun
4.8 VDC Rechargeable Battery
Larger Diameter Caulk Tube
Recharging Base and Power Supply
(4) Caulk Tube Screw Caps*

If any parts are missing or broken, please call Harbor Freight Tools at the number on the cover of this manual.

FIGURE 1



Working with the Rechargeable Battery

Charging the Battery:

1. Batteries are normally shipped with low or no charge to prevent potential problems during shipment. Before use, you must charge your new Battery. Charge time is approximately 7-9 hours.
2. Plug the battery charger into a 120 VAC, 60 Hz power outlet.
3. Insert the Battery into the charger by aligning the rib on the Battery with the groove in the charger. Press the Battery into place. The Red LED will illuminate indicating that a Battery is charging.
4. The Red LED will remain on while the Battery charges. The Battery Charger will not automatically turn off when the Battery is fully charged. The charging indicator light will remain on until the Battery Charger is disconnected from the electrical outlet. Recharging the Battery more than 9 hours can cause damage to the Battery cells.
5. When the Battery is fully charged, remove the charged battery from the charger, and unplug the charger from its power source. Put the charger away for safekeeping. Do not leave the Battery in the charger indefinitely.
6. Always dispose of or recycle used batteries properly. Contact your local Hazardous Waste Authority for proper battery disposal guidelines.

Installing the Battery:

1. Slide the Battery into the base of the handle. **CAUTION:** Do not press the battery into the handle if it is not properly aligned, as this may damage the body of the tool, and will not secure the battery.
2. Be sure the Battery is properly installed before using the tool.

Using the Battery Locks and Removing the Battery:

1. After placing the Battery in the tool, the battery locks on the side of the Battery engage to prevent the battery from coming out accidentally.
2. To remove the Battery, depress the locks and remove the Battery by pulling straight out.



About Caulk, Adhesives and Fillers

Selecting the right caulk:

This tool may be used to apply several different types of material that are packaged in a cartridge. In addition to caulk, this tool may be used to apply various adhesives, fillers and similar materials. No caulk or other material is supplied with this tool.

Caulk is a semi-viscous material used to fill holes and gaps in seams of building materials. Some types of caulk are also useful as adhesives. There are three basic types of caulk:

1. **Latex caulk** is a water soluble material useful for indoor uses, such as painting preparation and texturing under paint. Latex caulk is not waterproof and should not be used outdoors or in applications near water, such as baths and kitchens. It has low adhesive strength. Its main advantages include usefulness in paint preparation, low price and water cleanup.
2. **Silicone caulk** is ideal for outdoor uses such as around doors and windows and for applications around water such as baths and kitchens. Silicone caulk has moderate to high adhesive strength. Silicone caulk is not water soluble, so care must be used during application to prevent need for cleanup. Check the product package for the manufacturer's recommended solvent. Use any chemical solvents carefully, following manufacturer's directions.
3. **Combination caulk** is a mixture of silicone and latex. It may be cleaned up with water, yet offers good water resistance after curing. It is ideal for use in protected outdoor areas, such as under flashing around doors and windows, or for caulking outdoors prior to painting. It is also useful for indoor paint preparation where a more durable caulk is desired. It has low to moderate adhesive strength.

Adhesives are glues which are packaged in cartridges and may be applied with this tool.

1. **Silicone caulk** may be considered an adhesive because of its moderate to high adhesive strength. Silicone Caulk is an ideal material for installing laminate counter tops in kitchens, baths and laundry rooms. While the counter top should be screwed in place from underneath, the side splashes may be glued in place using only silicone caulk. All seams, including contact edges with the wall should be caulked. It is good practice to apply a line of caulk under the counter edge and splashes before installation, and to apply caulk to the seam after installation. In this way the seam is filled and is water tight.
2. **Panel adhesive** is sold under various brand names. It is ideal for gluing wall panels and other large flat surfaces. Some panel adhesive will damage plastic, such as fiber reinforced panels or plastic trim edges. If using plastic materials be sure to use an adhesive labeled for use with plastic.
3. **Construction adhesive** is a high tack material used to fill gaps and increase holding power of joints made during construction. There are many different kinds designed for use with paneling, foam board, pressure treated wood, etc. Be sure to select the proper adhesive for your particular application.

Fillers:

Fillers are designed to fill large gaps and provide a flexible and waterproof joint between large surfaces. Typical uses include around chimneys, masonry joints and sections of concrete. Fillers are often sold in larger sized cartridges. To reduce cost, joints are often partially filled with “caulk rod” or sand before being topped with filler.

How to apply caulk, adhesive or fillers:

1. Select the proper caulk, adhesive or filler for your application. Have the correct clean up materials ready, including scrapers, rags and solvent.
2. Prepare your work materials before applying caulk. Your project should have been test fitted or assembled. Have clamps or any other needed tools available. Caulk, adhesive or fillers are a final step in construction. They are not designed to be removed once applied.
3. **If using caulk in a seam**, apply painter’s tape along both sides of all seams before applying the caulk. Leave a very small space, usually less than 1/8” between the edge of the painter’s tape and the seam. This is the amount of caulk that will be visible on completion of the job.
If using caulk, next apply a small bead of caulk along the seam for no more than a few feet. Using a spreader, rub along the seam to smooth the caulk into the seam. Excess caulk will be on the tape. Using the spreader, rub excess caulk from the tape into the seam. Continue until all seams have been filled.
Before the caulk has dried, remove all painter’s tape from the project, and dispose of it properly. Using painter’s tape will result in a neat, consistent seam with little or no clean up required.
4. **If using adhesive**, test fit your work materials before applying the adhesive. If adhesive will be applied to seams or edges of your work material, apply painter’s tape to all edges to prevent squeeze-out from getting on the surface. Apply the adhesive to the work materials where they will be joined. Apply plenty of adhesive in a spiral or zigzag pattern and along all edges.
If edge trim is being used, install it now. Press the workpiece into place. If necessary, brads, nails, screws, clamps or bracing may be used to hold the workpiece in place until the adhesive dries.
5. **If using fillers**, secure the proper filler for the job at hand.
Remove any dirt, water or debris from the seam before starting work. Compressed air may be used for this.
If filling a vertical seam such as in a cement wall, insert caulk rod as needed in the seam. If filling a horizontal seam, such as a concrete floor, insert caulk rod or sand as needed.
Caulk rod is a foam rope-like product that is available in various diameters. Select the proper caulk rod for your application. If using sand, be sure it is clean dry sand. Caulk rod and sand are used to reduce the amount of filler needed for a given job. However, filling usually requires a lot of material. This is why fillers are often sold in larger cartridges. It is a good idea to buy more than you think you will need.
When applying caulk rod or sand, leave enough open space in the seam for the filler to adhere to both sides of the joint and be thick enough to form a strong seal.

Start at one end of the seam, and apply a heavy bead of the filler continuously until you reach the other end. The filler must adhere to both sides of the seam and form a heavy, continuous bead of material.

Operation

Testing your Cordless Caulking Gun

NOTE: Follow the procedure below to test the operation of your Caulking Gun before using it for the first time.

1. Install a charged battery as discussed on page 6.
2. Set the 6-speed Selector (11) at position 3, or above, when first running the Caulking Gun. Once the motor is running, any of the 6 speeds can be selected.
3. While holding the caulking gun in your right hand, push the Locking Button (7) in. (If you are holding the gun in your right hand, the Locking Button (7) will be next to your thumb. Push it in until it pops out on the opposite side of the gun housing). Test the operation of the tool by squeezing the trigger. The Plunger (46) should move forward. See the Figure 1 on page 5.
4. To retract the Plunger (46), push the Locking Button (7) back in until it protrudes from the left side of the housing. Using your finger, push the Plunger (46) all the way back to its starting location.

Installing a cartridge and using your Cordless Caulking Gun

1. Cut off the tip of a standard 10.5 oz. cartridge (not included) to open it. Pull down the Gate at the end of the Cartridge Holder (43), and slide the cartridge, base end first, into the Cartridge Holder and onto the Plunger (46). Press the Gate back into place. Make sure the Plunger (47) is completely retracted before doing this.
2. Apply the tip of the cartridge to the work material. Squeeze the Trigger (15) to begin applying material, and move the tip of the cartridge along the seam. Move the 6-Speed Selector (11) to adjust the rate the material is being applied.
3. Release the Trigger (15) to stop applying material. Attach on of the Caulking Tube Screw Caps to the end of the cartridge when finished. Remove the cartridge from the Cartridge Holder (43), see paragraph below.

CAUTION: ***DO NOT*** leave the cartridge in the Cordless Caulking Gun when you are finished using it. The material in the cartridge could harden; making it very difficult or impossible to remove it from the Caulking Gun.

Removing the cartridge from your Cordless Caulking Gun

Push the Locking Button (7) back in until it protrudes from the left side of the housing. Firmly press the cartridge in, as far as it will go, toward the handle. Swing the Gate open. Pull the cartridge from the Cartridge Holder (43). Swing the Gate to its closed position. See the Parts List and Assembly Diagram on pages 11 and 12.

Troubleshooting

Tool will not operate or operates slowly:

1. Battery may need to be charged. Recharge the Battery.
2. Too great a load is being placed on the tool. Try a slower speed on the 6-Speed Selector. The caulk may be dried up in the tube, or the tip may be plugged. Check condition of cartridge and caulk, replace if necessary.

Battery loses charge quickly:

A new Battery will not hold a charge as long as older ones. Completely deplete and recharge Battery Pack several times to extend its charge life.

Caulk squirts out back of cartridge:

The caulk may be dried up in the tube, or the tip may be plugged. Check condition of cartridge and caulk, replace if necessary.

The trigger is locked in place and won't move:

The Locking Button (7) may be in the wrong position. Push it in, and try squeezing the trigger again. See Figure 1 page 5.

Maintenance

1. Keep your tool clean and dry. Wipe dirt and grease from it if it becomes dirty. Remove any excess caulk, adhesive or filler while it is still wet. Do not use solvents on the plastic parts of this tool.
2. Do not allow your tool, Battery or Charger to become wet.
3. Do not leave Battery in Charger unattended for long periods of time.
4. When not in use, remove the Battery and store both Tool and Battery in a dry, secure location.

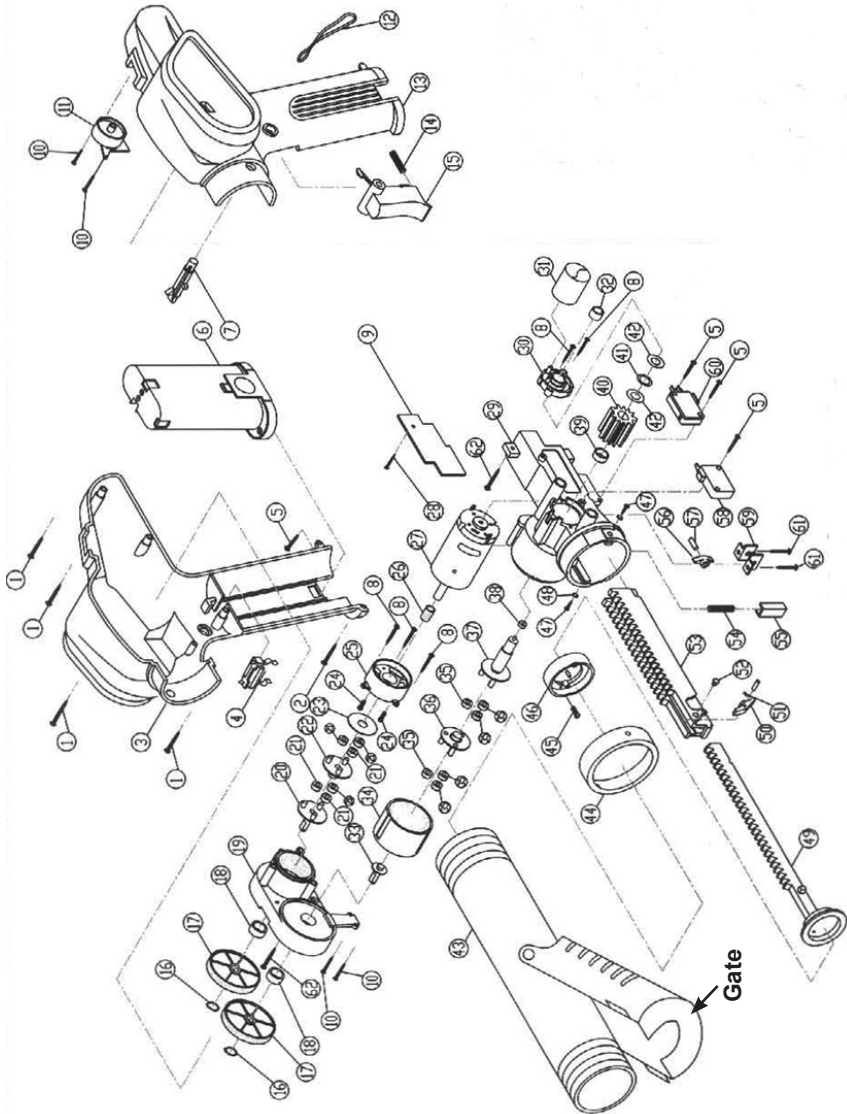
Parts List

Part	Description	QTY.
1	Screw ST 2.9 x 15	4
2	Screw ST 2.9 x 8	1
3	Right Housing	1
4	Battery Terminal	1
5	Screw ST 2.9 x 18	4
6	Battery	1
7	Locking Button	1
8	Screw ST 2.6 x 9.5	5
9	PCB	1
10	Screw ST 2.6 x 9.5	4
11	6-Speed Selector	1
12	Strap	1
13	Left Housing	1
14	Spring	1
15	Trigger	1
16	Spring	2
17	Gear	2
18	Bronze Axle	2
19	Gear Box	1
20	Gear Tray	1
21	Star Gear	6
22	Gear Tray	1
23	Washer	1
24	Screw M 3 x 8	2
25	Gear Housing	1
26	Motor Gear	1
27	Motor	1
28	Screw ST 2.9 x 6.5	1
29	Main Body	1
30	Bushing Case	1
31	Gear Tray	1

Part	Description	QTY.
32	Bronze Axle	1
33	Gear Axle	1
34	Inner Gear	1
35	Star Gear	6
36	Gear Tray	1
37	Bearing	1
38	Gear	1
39	Bronze Bushing	1
40	Gear	1
41	Wave Washer	1
42	Washer	2
43	Cartridge Holder	2
44	Clamp	1
45	Screw M 3 x 8	1
46	Plunger	1
47	Screw ST 4.2 x 13	2
48	Washer	2
49	Rack	1
50	Pin	1
51	Spring	1
52	Pin	1
53	Gear Bushing	1
54	Spring	1
55	Clutch Pin	1
56	Clutch Pin	1
57	Pin	2
58	Switch	1
59	Bracket	1
60	Switch	1
61	Screw ST 2.6 x 16	2
62	Screw ST 2.6 x 19	2

NOTE: Some parts are listed and shown for illustration purposes only and are not available individually as replacement parts.

Assembly Drawing



PLEASE READ THE FOLLOWING CAREFULLY

THE MANUFACTURER AND/OR DISTRIBUTOR HAS PROVIDED THE PARTS DIAGRAM IN THIS MANUAL AS A REFERENCE TOOL ONLY. NEITHER THE MANUFACTURER NOR DISTRIBUTOR MAKES ANY REPRESENTATION OR WARRANTY OF ANY KIND TO THE BUYER THAT HE OR SHE IS QUALIFIED TO MAKE ANY REPAIRS TO THE PRODUCT OR THAT HE OR SHE IS QUALIFIED TO REPLACE ANY PARTS OF THE PRODUCT. IN FACT, THE MANUFACTURER AND/OR DISTRIBUTOR EXPRESSLY STATES THAT ALL REPAIRS AND PARTS REPLACEMENTS SHOULD BE UNDERTAKEN BY CERTIFIED AND LICENSED TECHNICIANS AND NOT BY THE BUYER. THE BUYER ASSUMES ALL RISK AND LIABILITY ARISING OUT OF HIS OR HER REPAIRS TO THE ORIGINAL PRODUCT OR REPLACEMENT PARTS THERETO, OR ARISING OUT OF HIS OR HER INSTALLATION OF REPLACEMENT PARTS THERETO.

REV 08g

SKU 94849

For technical questions please call 1-800-444-3353

Page 12

Download from www.Somanuals.com. All Manuals Search And Download.

Free Manuals Download Website

<http://myh66.com>

<http://usermanuals.us>

<http://www.somanuals.com>

<http://www.4manuals.cc>

<http://www.manual-lib.com>

<http://www.404manual.com>

<http://www.luxmanual.com>

<http://aubethermostatmanual.com>

Golf course search by state

<http://golfingnear.com>

Email search by domain

<http://emailbydomain.com>

Auto manuals search

<http://auto.somanuals.com>

TV manuals search

<http://tv.somanuals.com>