

Owner's Manual & Safety Instructions

Save This Manual Keep this manual for the safety warnings and precautions, assembly, operating, inspection, maintenance and cleaning procedures. Write the product's serial number in the back of the manual near the assembly diagram (or month and year of purchase if product has no number). Keep this manual and the receipt in a safe and dry place for future reference.



ITEM 69054

60" WORKBENCH



Visit our website at: <http://www.harborfreight.com>
Email our technical support at: tech@harborfreight.com

When unpacking, make sure that the product is intact and undamaged. If any parts are missing or broken, please call 1-800-444-3353 as soon as possible.

Copyright© 2012 by Harbor Freight Tools®. All rights reserved.
No portion of this manual or any artwork contained herein may be reproduced in any shape or form without the express written consent of Harbor Freight Tools. Diagrams within this manual may not be drawn proportionally. Due to continuing improvements, actual product may differ slightly from the product described herein. Tools required for assembly and service may not be included.

⚠ WARNING

**Read this material before using this product.
Failure to do so can result in serious injury.
SAVE THIS MANUAL.**

Table of Contents

Safety	2	Parts List and Diagram	10
Specifications	3	Warranty	12
Setup	3		



WARNING SYMBOLS AND DEFINITIONS

	This is the safety alert symbol. It is used to alert you to potential personal injury hazards. Obey all safety messages that follow this symbol to avoid possible injury or death.
⚠ DANGER	Indicates a hazardous situation which, if not avoided, will result in death or serious injury.
⚠ WARNING	Indicates a hazardous situation which, if not avoided, could result in death or serious injury.
⚠ CAUTION	Indicates a hazardous situation which, if not avoided, could result in minor or moderate injury.
NOTICE CAUTION	Addresses practices not related to personal injury.

IMPORTANT SAFETY INFORMATION

⚠ WARNING

Read all safety warnings and instructions.

Failure to follow the warnings and instructions may result in serious injury.

Save all warnings and instructions for future reference.

- Do not exceed weight capacities for the Workbench shelves and drawers. Be aware of dynamic loading!** Sudden load movement may briefly create excess load causing product failure.
- Use only on flat, level and hard surface capable of supporting the Workbench and any item(s) placed on Workbench. Evenly distribute load on Table to avoid tipping.
- Use as intended only. Do not use Workbench to perform task for which it was not designed.
- For indoor use only.
- Assemble only according to these instructions. Improper assembly can create hazards.
- Wear ANSI-approved safety goggles and heavy-duty work gloves during assembly and use.
- Keep assembly area clean and well lit.
- Keep bystanders out of the area during assembly.
- Do not assemble when tired or when under the influence of drugs or medication.
- This product is not a toy. Do not allow children to play with, on or near Workbench.
- Inspect before every use; do not use if parts are loose or damaged.
- Maintain product labels and nameplates. These carry important safety information. If unreadable or missing, contact Harbor Freight Tools for a replacement.



SAVE THESE INSTRUCTIONS.

Specifications

Top Shelf Weight Capacity	250 lb.
Drawer Weight Capacity	25 lb. (per drawer)
Bottom Shelf Capacity	200 lb.
Vise Capacity	7"
Table Top Thickness	2-1/2"

Setup - Before Use:



Read the **ENTIRE IMPORTANT SAFETY INFORMATION** section at the beginning of this manual including all text under subheadings therein before set up or use of this product.

Note: For additional information regarding the parts listed in the following pages, refer to *Parts List and Diagram* on page 10.

Note: More than one person is needed for proper assembly.

Note: In the supplied bag of hardware, the Nuts are already threaded onto the Screw (6).

1. Insert Connecting Nuts (8) into holes at end of Cross Braces (3). Make sure that the slot on the Nuts align horizontally with the Bolts (7). This will allow the Bolts to be threaded into the Cross Braces. See Figure A, right.

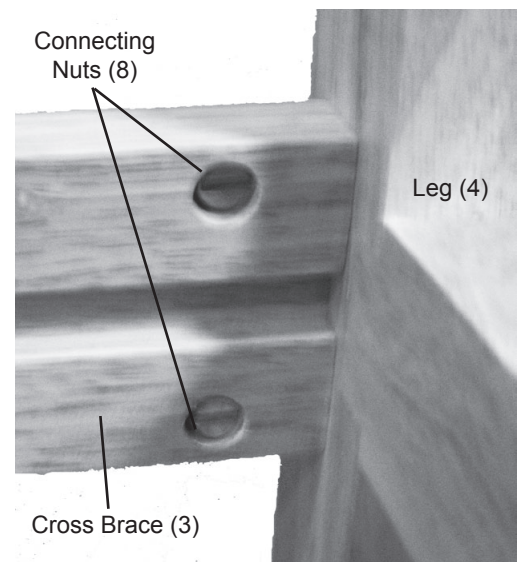


Figure A

2. Set the Cross Brace against a Leg (4) and use the Hex Wrench (9) and Bolt (7) to fasten Cross Brace and Leg together. See Figure B, right.

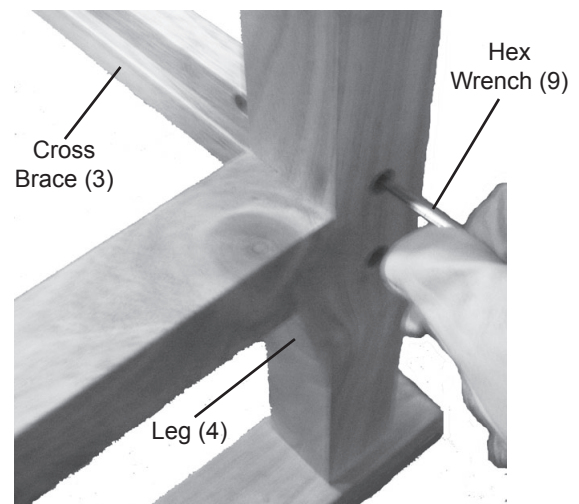


Figure B

NOTE: Make sure the groove in the Cross Brace is facing IN. See Figures A and B.

- Once both Legs have been fastened to the Cross Brace, slide the Shelf (2) above against the Legs so that the far edge fits onto the groove on the Cross Brace. See Figure C, right.

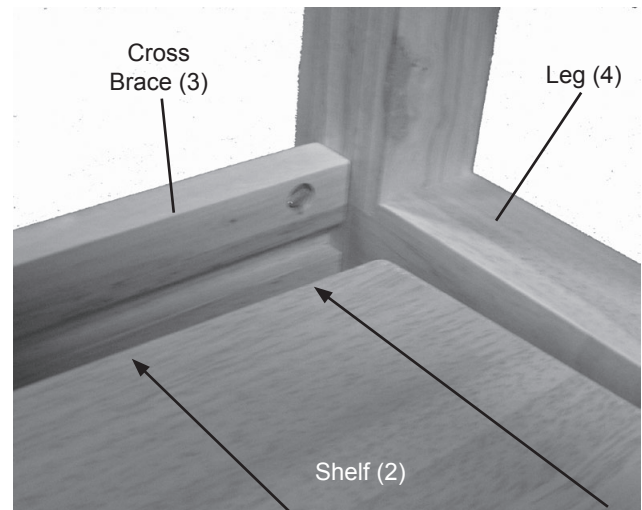


Figure C

- While your assistant is holding the Shelf in place against the first Cross Brace, set the second Cross Brace against the other edge of the Shelf. See Figure D, right.

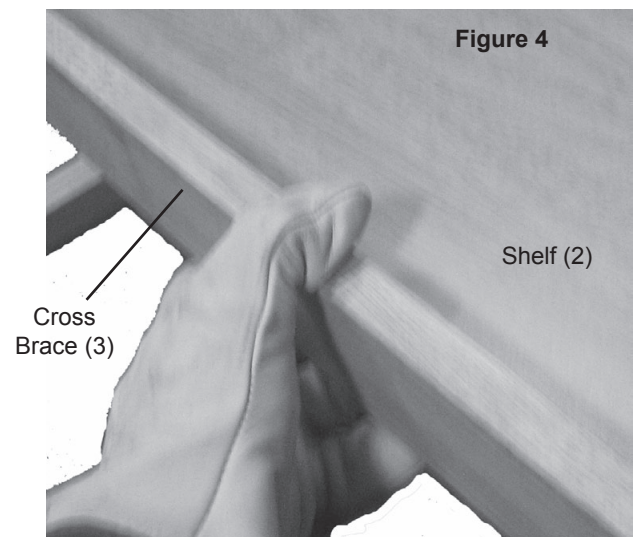


Figure D

- Once the Cross Brace is in place and the mounting holes on the Legs are aligned with the Connecting Nuts in the Cross Brace, use the Hex Wrench and Bolts to fasten the second Cross Brace to Legs.

With your assistant's help, place the Table Top (1) face down on a smooth, padded surface. This will allow you to install the sliding drawers.

Note: When setting down the assembled Legs onto the Table Top, verify both Legs and Table Top are facing the correct direction. (Note the small "Front" labels placed on the items. These labels can be removed after assembly.) See Figure E, right.



Figure E

- Set the Sliding Partition (14) into place by inserting the tabs of the Table Top's underside. See Figure F, right.

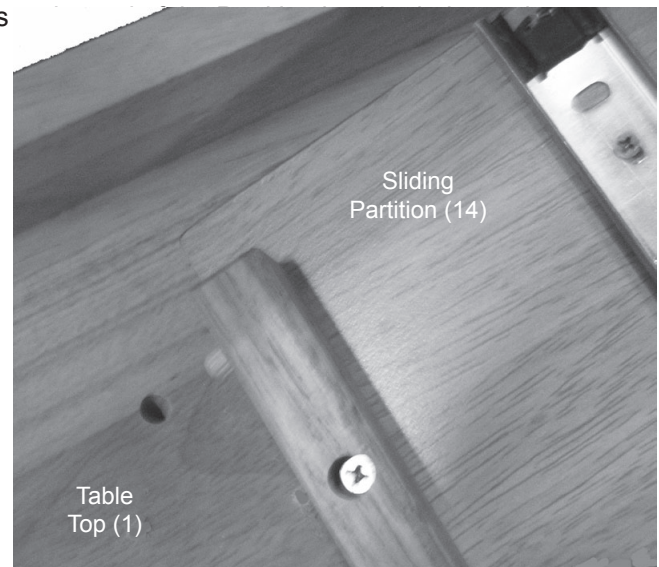


Figure F

Note: Verify that the Sliding Partition and Table Top face the same direction. See Figure G, right.

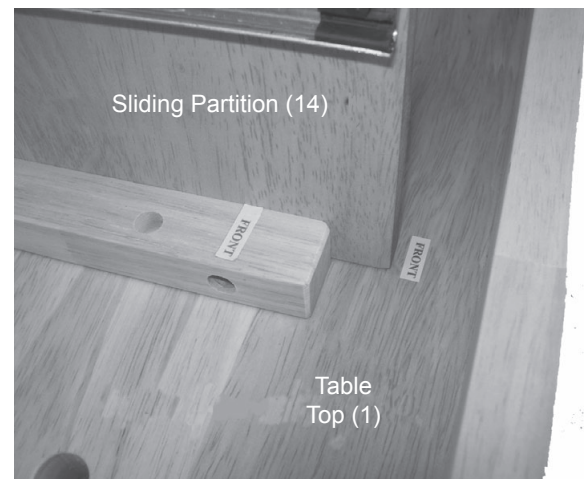


Figure G

- Use the Screws (13) to fasten the Sliding Partition to the middle of the Table Top's underside. See Figure H, right.

Note: There are no pilot holes available for this step, so you will need to use a drill to make the pilot holes before threading in Screws.

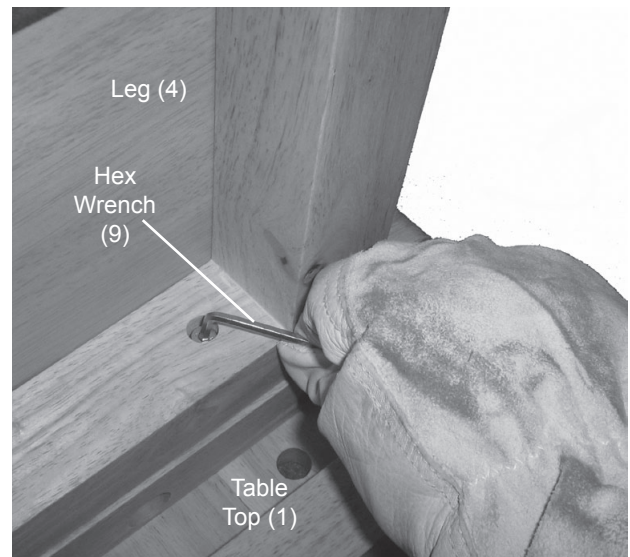


Figure H

- Using assistance, set the assembled Legs and Shelf onto the underside of the Table Top.

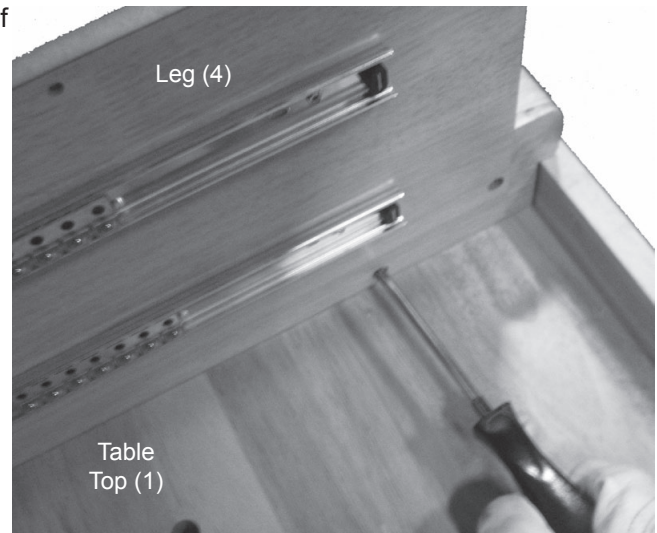
Note: Verify that the Drawer guide slots on the Sliding Partition face the same way as the Drawer guide slots on the Legs.

- Use the Hex Wrench and Screws (6) to fasten the tops of the Legs to the Table Top underside. See Figure I, right.

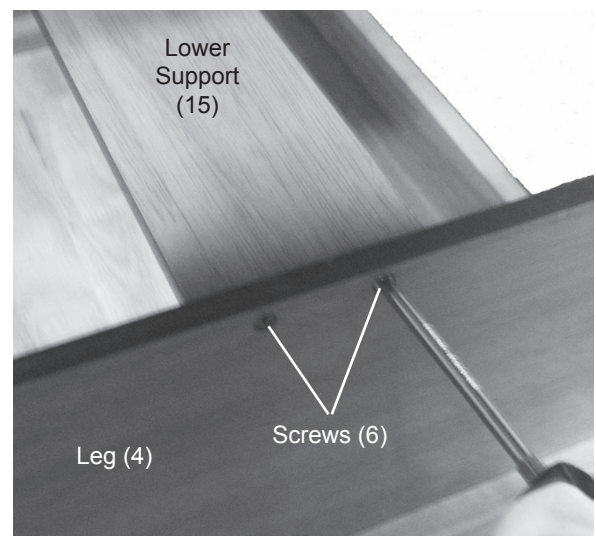
**Figure I**

- Use the Hex Wrench and Screws (13) to fasten the sides of the Legs to the Table Top underside. See Figure J, right.

Note: There are no pilot holes available for this step, so you will need to use a drill to make the pilot holes before threading in Screws.

**Figure J**

- Set the Lower Support (15) across the top of the Sliding Partition and against the sides of the Legs. Then use Screws (6) to fasten each end of the Lower Support to the sides of the Legs. See Figure K, right.

**Figure K**

12. Once the ends of the Lower Support have been fastened to the Legs, use the Screws (6) to fasten the middle of the Lower Support to the top of the Sliding Partition. See Figure L, right.
13. With assistance, set the assembled frame right-side up and in the spot where you want the Workbench located.

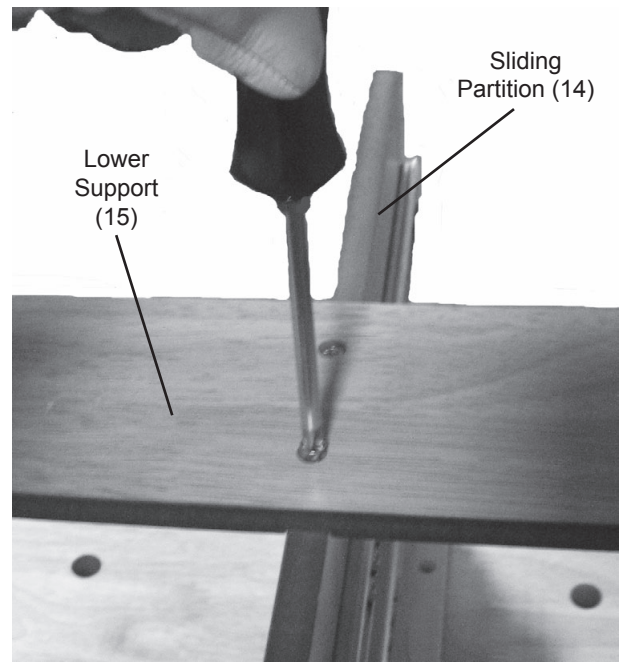


Figure L

14. Remove the Vise Screw and Washer (12) from the middle thread of the Vise (5). See Figure M, right.

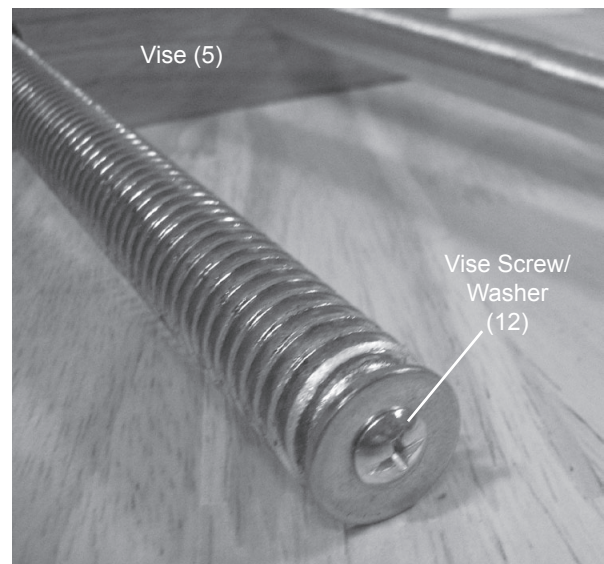


Figure M

15. Once the Vise Screw and Washer are removed, slide the Vise into the three holes on the side of the Workbench. Once the Vise is threaded into the holes halfway, use the Hex Wrench to tighten the screws on either side of the Vise's center thread. See Figure N, right.
16. Use the Vise handle to thread in the Vise all the way and re-install the Vise Screw and Washer. This will keep the Vise locked on place on the side of the Workbench.

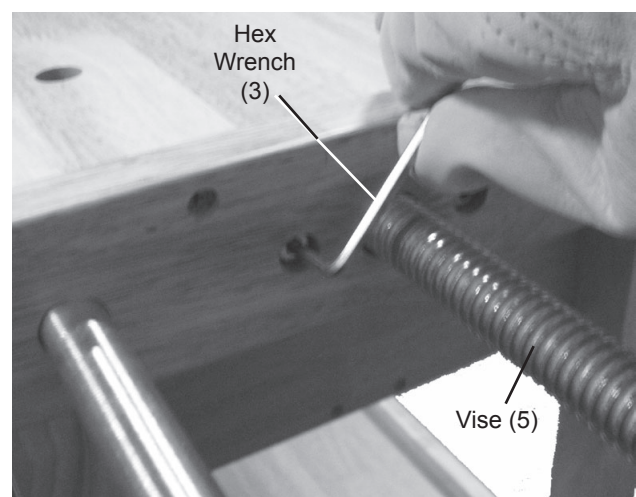


Figure N

17. Use the Drawer Screws (22) to fasten the Drawer Handles (21) to the Drawer Front Panels (16). See Figure O, right.

Note: Each Drawer piece should have a sticker designating what it is (P1-P5). Use the Parts List as on page 10 as reference. This will help assure correct assembly.

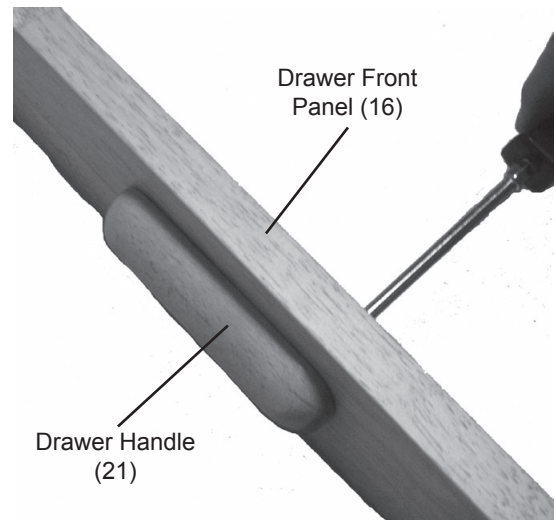


Figure O

18. Fasten the Drawer Panel (18) and the Drawer Slot Panel (19) to the Drawer Front Panel. See Figure P, right.

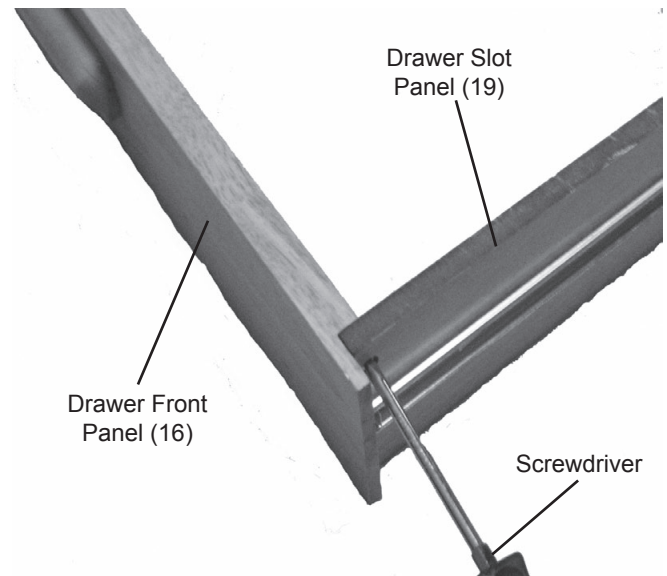


Figure P

19. Fasten the Drawer Back Panel to the ends of the two side Panels. Then slide the Drawer Bottom (20) into the grooves along the insides of the side panels, making sure the felt side is up. See Figure Q, right.

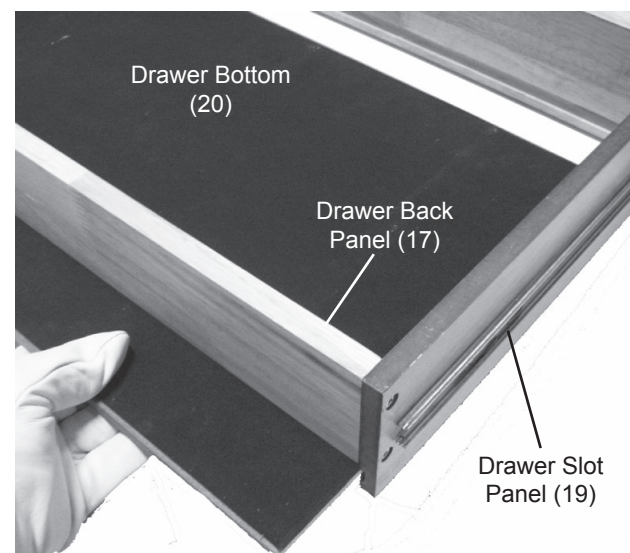


Figure Q

20. Fasten Drawer Bottom to Drawer Pack Panel. Once Drawers are fully assembled, verify that the inside tracks along the Sliding Partition are pushed forward. See Figure R, right.

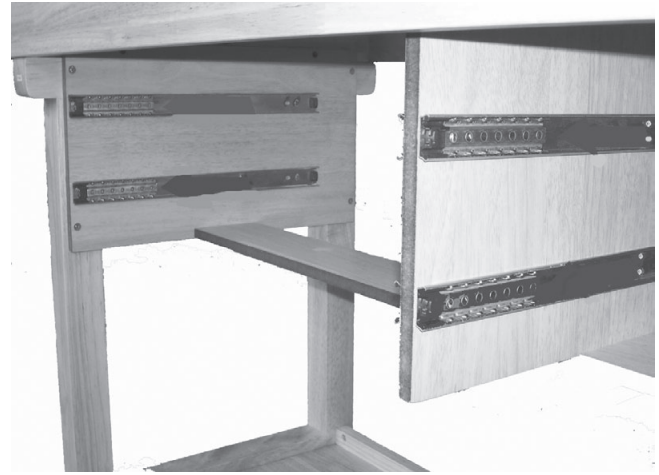


Figure R

21. Slide Drawers into tracks along Sliding Partition and insides of the Legs. See Figure S, right.

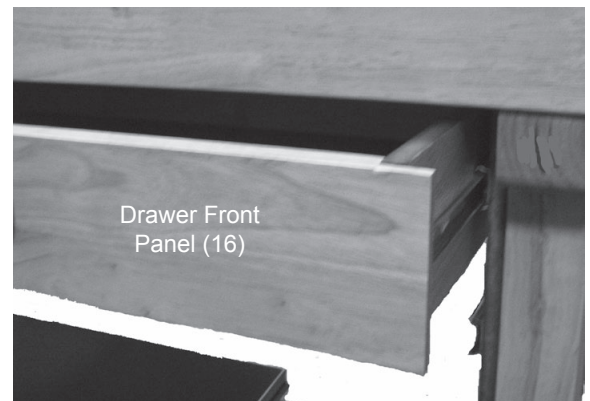


Figure S

22. Once all Drawers are inserted, tap Wood Pegs (10) and Small Anvil Pegs (11) into desired holes on the Table Top. See Figure T, right.

The Workbench is now fully assembled and ready for use.

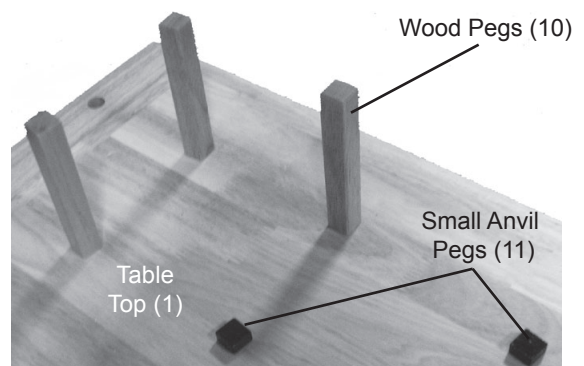


Figure T

Parts List and Diagram

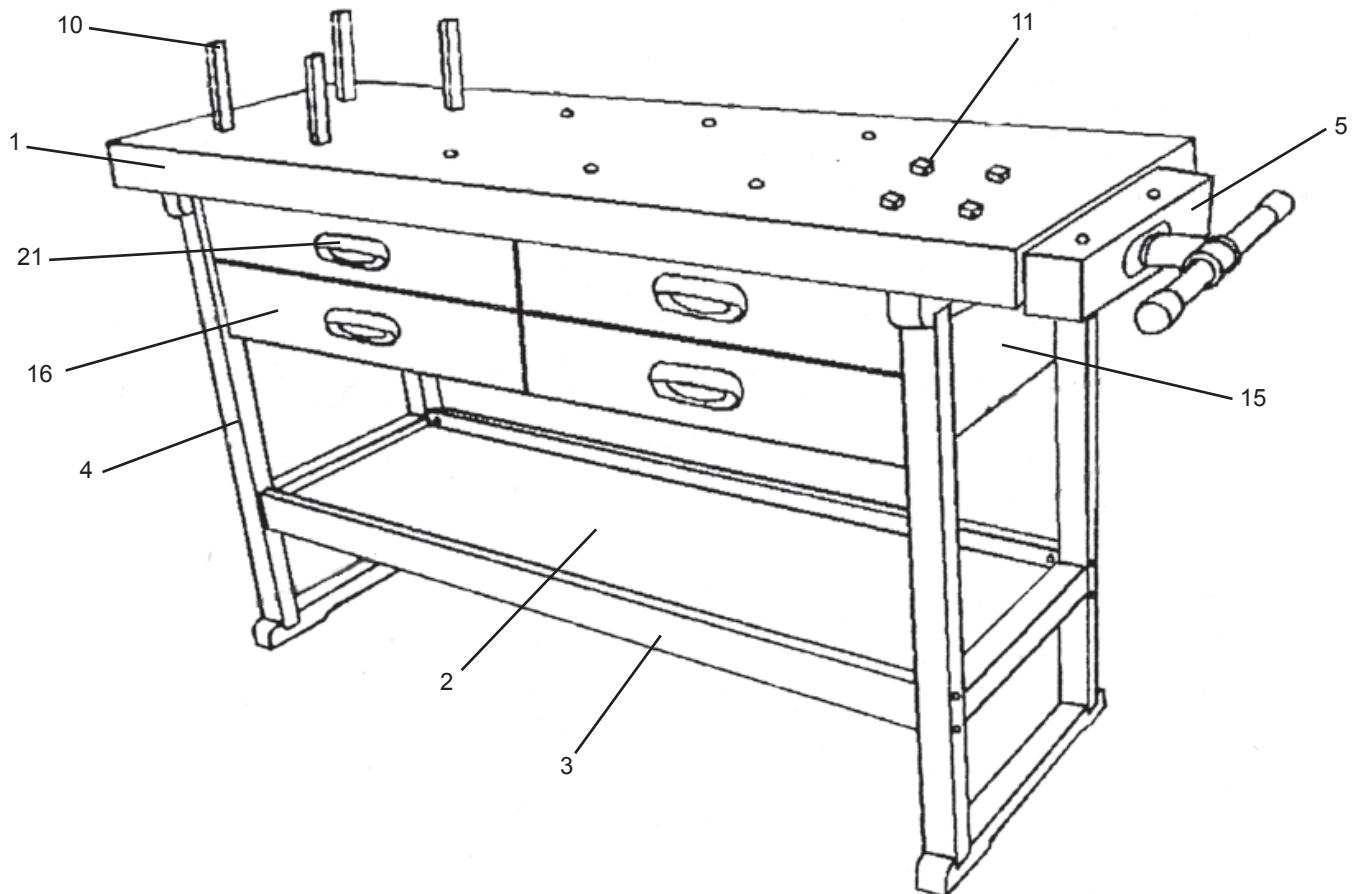
PLEASE READ THE FOLLOWING CAREFULLY

THE MANUFACTURER AND/OR DISTRIBUTOR HAS PROVIDED THE PARTS LIST AND ASSEMBLY DIAGRAM IN THIS MANUAL AS A REFERENCE TOOL ONLY. NEITHER THE MANUFACTURER OR DISTRIBUTOR MAKES ANY REPRESENTATION OR WARRANTY OF ANY KIND TO THE BUYER THAT HE OR SHE IS QUALIFIED TO MAKE ANY REPAIRS TO THE PRODUCT, OR THAT HE OR SHE IS QUALIFIED TO REPLACE ANY PARTS OF THE PRODUCT. IN FACT, THE MANUFACTURER AND/OR DISTRIBUTOR EXPRESSLY STATES THAT ALL REPAIRS AND PARTS REPLACEMENTS SHOULD BE UNDERTAKEN BY CERTIFIED AND LICENSED TECHNICIANS, AND NOT BY THE BUYER. THE BUYER ASSUMES ALL RISK AND LIABILITY ARISING OUT OF HIS OR HER REPAIRS TO THE ORIGINAL PRODUCT OR REPLACEMENT PARTS THERETO, OR ARISING OUT OF HIS OR HER INSTALLATION OF REPLACEMENT PARTS THERETO.

Parts List

Part	Description	Qty
1	Table Top	1
2	Shelf	1
3	Cross Brace	2
4	Leg	2
5	Vise	1
6	Screw (50mm)	6
7	Bolt (60mm)	8
8	Connecting Nut	8
9	Hex Wrench (50mm)	1
10	Wood Peg	4
11	Anvil Peg	4

Part	Description	Qty
12	Vise Screw and Washer	1
13	Screw	58
14	Sliding Partition	1
15	Lower Support	1
16	Drawer Front Panel (P1)	4
17	Drawer Back Panel (P2)	4
18	Drawer Panel (P3)	4
19	Drawer Slot Panel (P4)	4
20	Drawer Bottom (P5)	4
21	Drawer Handle	4
22	Drawer Screw	8



Assembly Diagram

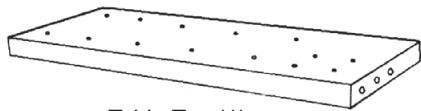
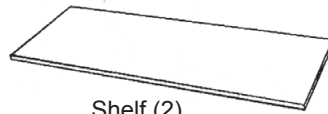


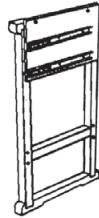
Table Top (1)



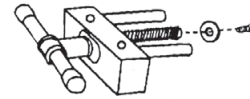
Shelf (2)



Cross Brace (3)



Leg (4)



Vise (5)



Screw (50mm) (6)



Bolt (60mm) (7)



Connecting Nut (8)



Hex Wrench (50 mm) (9)



Wood Peg (10)



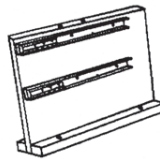
Anvil Peg (11)



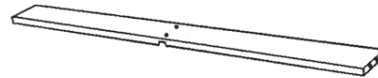
Screw and Washer
(Washer not shown) (12)



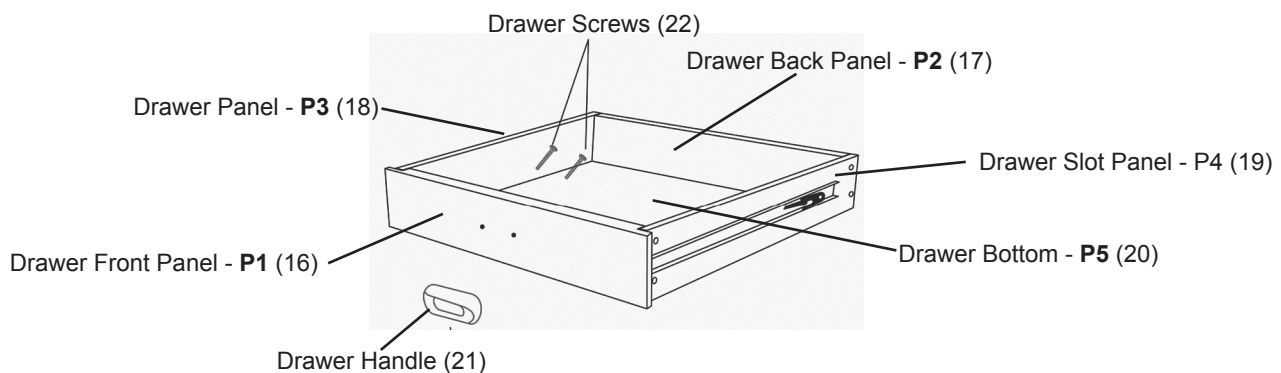
Screw (13)



Sliding Partition (14)



Lower Support (15)



Record Product's Serial Number Here: _____

Note: If product has no serial number, record month and year of purchase instead.

Note: Some parts are listed and shown for illustration purposes only, and are not available individually as replacement parts.

Limited 90 Day Warranty

Harbor Freight Tools Co. makes every effort to assure that its products meet high quality and durability standards, and warrants to the original purchaser that this product is free from defects in materials and workmanship for the period of 90 days from the date of purchase. This warranty does not apply to damage due directly or indirectly, to misuse, abuse, negligence or accidents, repairs or alterations outside our facilities, criminal activity, improper installation, normal wear and tear, or to lack of maintenance. We shall in no event be liable for death, injuries to persons or property, or for incidental, contingent, special or consequential damages arising from the use of our product. Some states do not allow the exclusion or limitation of incidental or consequential damages, so the above limitation of exclusion may not apply to you. THIS WARRANTY IS EXPRESSLY IN LIEU OF ALL OTHER WARRANTIES, EXPRESS OR IMPLIED, INCLUDING THE WARRANTIES OF MERCHANTABILITY AND FITNESS.

To take advantage of this warranty, the product or part must be returned to us with transportation charges prepaid. Proof of purchase date and an explanation of the complaint must accompany the merchandise. If our inspection verifies the defect, we will either repair or replace the product at our election or we may elect to refund the purchase price if we cannot readily and quickly provide you with a replacement. We will return repaired products at our expense, but if we determine there is no defect, or that the defect resulted from causes not within the scope of our warranty, then you must bear the cost of returning the product.

This warranty gives you specific legal rights and you may also have other rights which vary from state to state.



3491 Mission Oaks Blvd. • PO Box 6009 • Camarillo, CA 93011 • (800) 444-3353

Free Manuals Download Website

<http://myh66.com>

<http://usermanuals.us>

<http://www.somanuals.com>

<http://www.4manuals.cc>

<http://www.manual-lib.com>

<http://www.404manual.com>

<http://www.luxmanual.com>

<http://aubethermostatmanual.com>

Golf course search by state

<http://golfingnear.com>

Email search by domain

<http://emailbydomain.com>

Auto manuals search

<http://auto.somanuals.com>

TV manuals search

<http://tv.somanuals.com>