

**CENTRAL MACHINERY**

®

# 7" RABBETING JOINTER WITH STAND

## Model 31849

**ASSEMBLY & OPERATING INSTRUCTIONS**



Distributed Exclusively by

®



**HARBOR FREIGHT  
TOOLS**



3491 Mission Oaks Blvd., Camarillo, CA 93011

Visit our Web Site at [www.harborfreight.com](http://www.harborfreight.com)

Copyright © 2000 by Harbor Freight Tools®. All rights reserved. No portion of this manual or any artwork contained herein may be reproduced in any shape or form without the express written consent of Harbor Freight Tools.

**For technical questions and replacement parts please call 1-800-444-3353.**

THANK YOU for choosing a **HARBOR FREIGHT TOOLS** product. For future reference, please complete the owner's record below:

**Model** \_\_\_\_\_ **Serial No.** \_\_\_\_\_ **Purchase Date** \_\_\_\_\_

SAVE THE RECEIPT, WARRANTY AND THESE INSTRUCTIONS. It is important that you read the entire manual to become familiar with the unit **BEFORE** you begin assembly.

#### Technical Specifications

|                     |   |
|---------------------|---|
| <b>Tool Name:</b>   | <b>7" Rabbeting Jointer With Stand</b>        |
| <b>Item Number:</b> | <b>31849</b>                                  |
| Motor:              | 1 HP, 110V, 4.9 Amps, 750 Watts, Single Phase |
| Max. Depth of Cut:  | 1/2"  |
| Rabbet Cut:         | 1/2"  |
| Fence:              | 35-3/8" x 3-3/4"                              |
| Rabbeting Ledge:    | 3-1/4"  |
| Cutting Width:      | 7"  |
| Cutter Head Speed:  | 4655 RPM                                      |
| Fence Tilt:         | 45 Degrees Right / Left                       |
| Overall Dimensions: | 47-1/2" x 19-1/2" x 36-1/2"                   |
| Table Height:       | 32-1/2"                                       |
| Infeed Table:       | 8" x 18-1/2"                                  |



## **IMPORTANT SAFETY INSTRUCTIONS!**



### ***READ ALL INSTRUCTIONS BEFORE USING THIS PRODUCT!***

**Warning:** The warnings, cautions and instructions discussed in this instruction manual cannot cover all possible conditions and situations that may occur. It must be understood by the operator that **COMMON SENSE AND CAUTION ARE FACTORS WHICH CANNOT BE BUILT INTO THIS PRODUCT, BUT MUST BE SUPPLIED BY THE OPERATOR.**

#### **The Operator**

PLEASE REMEMBER:

Do not operate the product if under the influence of alcohol or drugs. Read warning labels on prescriptions to determine if your judgment/reflexes might be impaired.

Do not wear loose clothing or jewelry as they can be caught in moving parts.

Non-skid footwear is recommended.

Wear restrictive hair covering to contain long hair.

Use eye and ear protection. Always wear ANSI approved impact safety goggles and dust mask or respirator when working around metal, wood and chemical dusts and mists. Wear a full-face shield if you are producing wood chips.

Do not reach over or across running machines. Maintain proper footing and balance at all times.

Do not abuse the power cord. Do not yank on cord to disconnect it from outlet. Keep the cord away from heat, oil and sharp edges.

Feed the work into the machine against the direction of rotation.

**Use the right tool for the job. Do not attempt to force a small tool or attachment to do the work of a larger industrial tool. There are certain applications for which this tool was designed. Do not modify this tool and do not use this tool for a purpose for which it was not intended.**

## **Work Area**

TO AVOID RISK OF PERSONAL INJURY, EQUIPMENT DAMAGE, FIRE AND SHOCK, MAKE SURE YOUR **WORK AREA IS:**

Free of damp, wet or rainy conditions.

Free of children (never let them handle tools or machinery).

Well-lit.

Clean and uncluttered.

## **Before Operating**

Before using any tool, any part that appears damaged should be carefully checked to determine that it will operate properly and perform its intended function.

Before operating your Jointer check for damaged parts.

Make certain that the power is OFF before plugging the tool in.

Make sure all clamps, locks and bolts are tight.

Use grounded receptacle only for 110 Volt hook-up.

Give the Jointer a test run. If it makes an unfamiliar noise or vibrates irregularly, turn it off, unplug it and have the problem corrected by a qualified service technician.

Keep the Cutterhead sharp and free of all rust and pitch.

ALWAYS use a push block when jointing stock.

DO NOT perform jointing operations on materials shorter than 8 inches, narrower than 3/4 inches, or less than 1/4 inch thick.

DO NOT make cuts deeper than 1/8" on a single pass.

Check the feed rollers to be sure chips and sawdust are not caught in them. If the Rollers are not seated firmly, the Feed Rolls will not hold the stock firmly against the bed. This may result in kickback during operation.

Make certain to turn off and unplug the Jointer when doing any adjustments or maintenance. The tool should always be turned off and unplugged when not in use.

Keep Guards in place and in working order.

**Note:** Performance of this tool may vary depending on variations in local line voltage. Extension Cord usage may also affect tool performance.

Maintenance: For your own safety, maintenance should be performed regularly by a qualified technician.

**Caution: Some woods contain preservatives such as copper chromium arsenate (CCA) which can be toxic. When cutting these materials extra care should be taken to avoid inhalation and minimize skin contact.**

## Grounding/Voltage Warning

Common household current is 110-120 volts. As long as the outlet used with the tool is rated from 110-120V there will be no complications using it with household receptacles. Plug the tool into a 110-120V properly grounded outlet protected by a 15-amp, dual element time delay or circuit breaker.

NEVER try to plug a 110-120V tool into a 220-240V circuit or serious complications and possible injury to the operator may occur. The plugs have different shapes to prevent this.

This tool has a three-prong plug. The third (round) prong is the ground. Cutting off the ground will result in a safety hazard and void the warranty.

If the outlet you are planning to use is the two-prong type, do not remove or alter the grounding prong in any manner. Use an adapter and always connect the grounding plug to a known grounding source. It is recommended that you have a qualified electrician replace the two-prong outlet with a properly grounded three-prong outlet.

## Extension Cords

Your tool has a three-prong plug, therefore you must use a three-prong extension cord. Only use rounded jacket extension cords listed by the Underwriters Laboratories (UL). Improper use of extension cords may cause inefficient operation of your tool which can result in overheating. Be sure your extension cord is rated to allow sufficient current flow to the motor.

If you are using the tool outdoors, use an extension cord rated for outdoor use (signified by "WA" on the jacket).

The extension cord must have a minimum wire size depending on the amperage of the tool and the length of the extension cord. This size is determined by its AWG (American Wire Gauge) rating. The smaller the gauge, the greater the cable's capacity. The amount of cords used does not matter: Total length determines the minimum AWG rating. Every cord must meet the AWG rating. Use the chart below to determine what AWG rating is required for your situation. Cord length is rated in feet. **Harbor Freight Tools can supply UL listed and outdoor rated cords in multiple AWG ratings if needed.**

### AWG RATING CHART

|                  | CORD LENGTH 25' |     | 50' | 75' | 100' | 125' | 150' | 175' | 200' |
|------------------|-----------------|-----|-----|-----|------|------|------|------|------|
| AMPS             | AWG             | AWG | AWG | AWG | AWG  | AWG  | AWG  | AWG  | AWG  |
| <b>0-10.0</b>    | 18              | 18  | 16  | 16  | 14   | 14   | 12   | 12   |      |
| <b>10.1-13.0</b> | 16              | 16  | 14  | 14  | 14   | 12   | 12   | 12   |      |
| <b>13.1-15</b>   | 14              | 14  | 12  | 12  | 12   | 12   | 12   | —    |      |
| <b>15-18</b>     | 14              | 12  | 12  | 12  | 12   | 12   | —    | —    |      |

---

**Do NOT MODIFY YOUR PLUG IN ANY WAY. IF YOU HAVE ANY DOUBT, CALL A QUALIFIED ELECTRICIAN.**

---

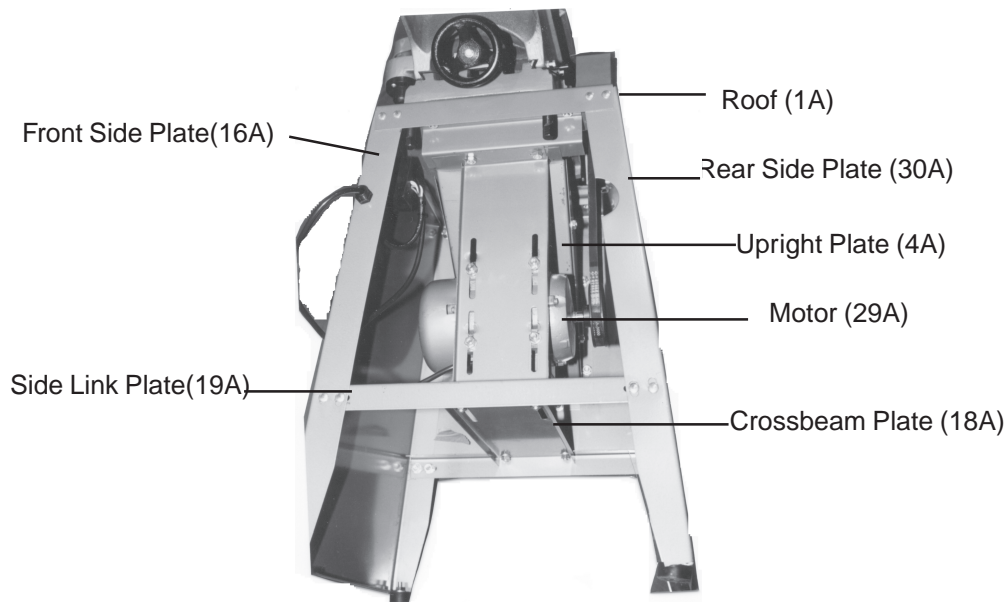
### Assembly

Your Jointer will require complete assembly as indicated below. To assist you with assembly and operation please refer to the Operational Figures and to the Assembly Diagrams and Parts Lists located at the end of this manual.

Before assembling, remove all traces of the packing grease from the Jointer and wipe all parts thoroughly with a clean dry cloth. When cleaning do not use acetone, gasoline or paint thinner as these solvents are dangerous to you and may also cause damage to plastic and rubber parts. Apply a thin coating of automotive wax to any unpainted surfaces to prevent rust.

**Caution!:** Consider the weight of the components and take the necessary precautions when lifting. Assistance may be required during assembly.

## The Stand



**Figure 1**

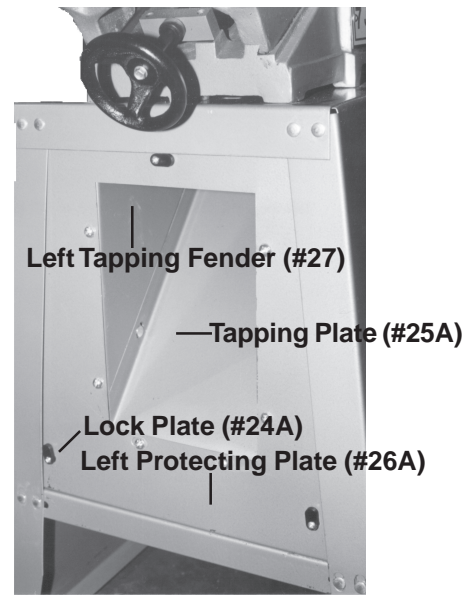
- Step 1) Attach the Front Side Plate (#16A) to both of the Side Link Plates (part #19A). Insert two Screws (#17A) through Front Side Plate and through Side Link Plate. Slide on Washers (#7A) and Nut (#6A). Tighten into place. Repeat for the other side - see Figure 1.
- Step 2) Attach the Rear Side Plate (#30A) to each of the Side Link Plates (#19A). Tighten it into place with two Screws (#17A) and attach Washers (#7A) and Nuts (#6A) on inside. Repeat for other side-see Figure 1.
- Step 3) Set the Crossbeam Plate (#18A) so that it sits on top of each of the Side Link Plates (#19A). Insert two (2) Screws (#17A) through the Crossbeam Plate (#18A) and Side Link Plate. Slide on Washers (#7A) and Nuts (#6A). Tighten into place. Repeat for other end of Crossbeam Plate- see Figure 1.
- Step 4) Set the Roof (#1A) on top of the Side Plates. Insert two Screws (#17A) at each corner. On the inside slide on Washer (#7A) and Nut (#6A). Secure in place-see Figure 1.
- Step 5) Attach the foot Bolt (#22A) through the Chassis (#20A) and to the bottom of each corner. From the top, slide on Washer (#7A) and tighten on Nut (#6A).
- Step 6) Set the Jointer on the Stand with the Cutterhead Guard facing the Front SidePlate (#16). There are two holes for the Bolts (#68-Jointer Assembly) over the Right Protecting Plate (#8A) and one hole for a Bolt (#68-Jointer Assembly) in the center of the Roof (#1A) above the Left Protecting Plate (#26A). Slide the Bolt (#68-Jointer Assembly) through the flat Washer (#67-Jointer Assembly) through the Roof (#1A) and into the Jointer.
- Step 7) Attach the Right Tapping Fender (#23A) and the Left Tapping Fender (#27A) to the Tapping Plate (#25A). Insert Lock Washer (#21A) with the head on the outside of the Stand. Slide on Washer (#7A) and Nut (#6A). Tighten Tapping Fenders onto Plate-see Figure 2.
- Step 8) Attach a Lock Plate (part #24A) to each corner hole and to the top hole in the Left Protecting Plate (#26A). Make certain that the part of the Lock Plate with the wing is on the outside of the Protecting Plate-see Figure 2.

Step 9) Attach the Tapping Plate (#25A) with Right and Left Tapping Fenders (#23A & #27A) to the Left Protecting Plate (#26A). Insert the Screws (#17A) with head on the outside of the Plate. On the inside, slide on Washer (#7A) and Nut (#6A)-see Figure 2.

Step 10) Attach the Reinforcing Plate (#3A) to the Roof (#1A) on the same side as the Left Protecting Plate using Screws (#17A), Washers (#7A) and Nuts (#6A).

Step 11) Attach the Upper Link Plate (#2A) to the Roof (#1A) with Screw (#17A) inserted downward. Slide on Washer (#7A) and tighten on Nut (#6A)-see Figure 1.

Step 12) Slide the Left Protecting Plate (#26A) on and tighten it into place with six (6) Screws (#17A). Fasten on the inside with Washers (#7A) and Nuts (#6A). Make certain that the lips at the top of the Tapping Plate (#25A) are positioned under the Upper Link Plate (#2A) as in Figure 1.



**Figure 2**

Step 13) Attach the Motor (#29A) to the Upright Plate (#4A) making certain that the Screws (#17A) are placed at least half way up the Plate (#4) on the side opposite the lips. You will have to move the Motor (#29A) later when tensioning the Belt. Secure in position with Washer (#7A) and Nut (#6A)-see Figure 1.

Step 14) Mount the Upright Plate (#4A) so that it is attached at the top to the Upper Link Plate (#2A) and at the bottom to the Side Link Plate (#19A). Attach to the Upper Link Plate making sure that the lips of the Tapping Plate (#25A) are sandwiched between the Upper Link Plate (#2A) and the Upright Plate (#4A).

Step 15) Attach three (3) Lock Plates (#24A) to the Right Protecting Plate (#8A). Slide the Plate onto the Frame and twist the Lock Plates so that the Right Protecting Plate is securely in position.

### Jointer Assembly

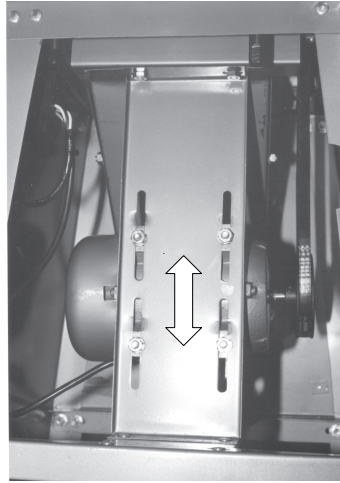
Each of the following part numbers, unless otherwise specified, are from the Jointer Parts List on page 14 and the Jointer Assembly Diagram on page 16.

Step 1) Attach the Belt Cover (#64) to the Stand (#69). Make certain that the Belt (#10) is in place on the Center Head Pulley (#9). Insert Recessed Screw (#63) through each foot of the Belt Cover (#64). From underneath, attach Lock Washer (#65) and tighten into place with Nut (#66).

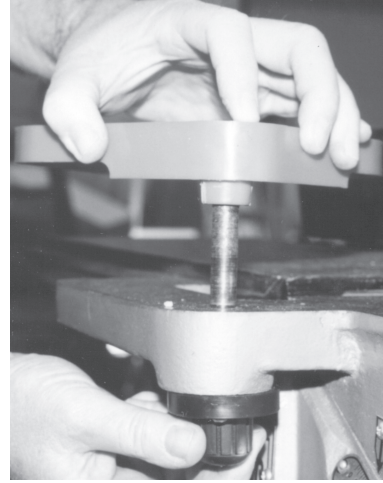
### Adjusting Belt Tension

Correct tension is indicated when there is approximately 1" deflection in the Belt (#10) with slight finger pressure.

Step 1) Loosen the Nuts and Bolts on the Upright Plate (#4A-Stand Assembly). Move the Motor up or down along the Upright Plate until the correct tension is achieved. Tighten Nuts and Bolts into place-see Figure 3.



**Figure 3**



**Figure 4**

Cutterhead Guard

**Warning:** Beware of sharp blade when installing the Cutterhead Guard.

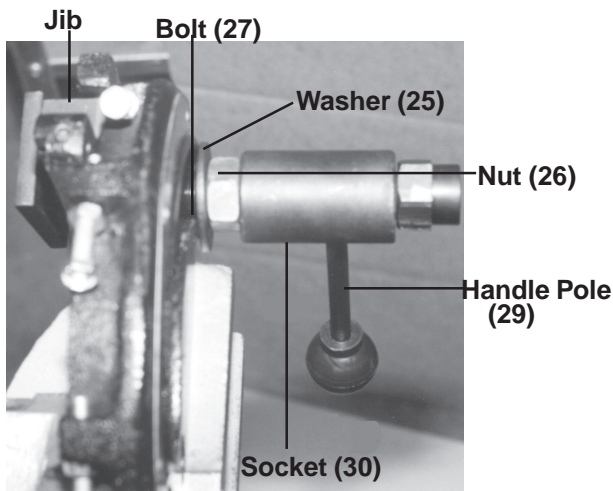
Step 1) Inside of the Spring Knob (#37) there is a Spring (#36) which returns the Guard to its position above the Cutterhead after a cut. To create tension in the Spring, turn the Spring Knob (#37) before inserting the post. Insert the Post of the Cutterhead Guard (#32) down through the hole in the Infeed Table (#33)-see Figure 4. When inserting the Post, make sure that the Spring (#36) is engaged in the slot at the end of the Post. The tension on the Spring (#36) can be changed by removing the Guard and turning the Spring Knob (#37).

Assembling Handle Wheels

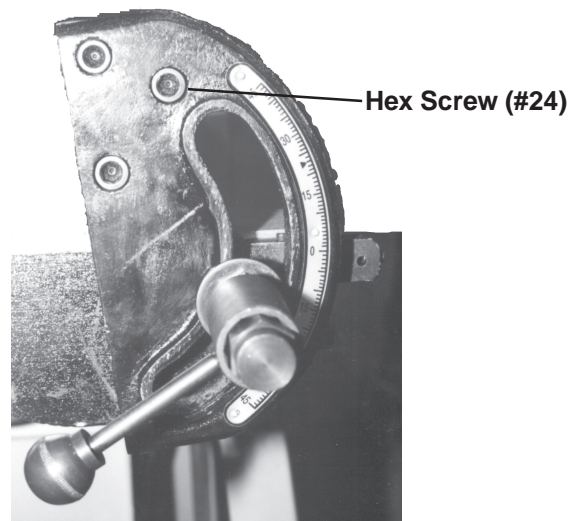
Step 1) There is a Handle Wheel (#43) located on each side of the Base (#50). With Adjusting Pole (#49) inserted into Base (#50), make certain Lock Block (#46) sits on top of the Adjusting Pole. Insert Bolt (#40) into Washer (#41) and through Handle Wheel (#43). Screw into Lock Washer (#44) and Lock Screw (#45).

Fence and Angle Scale Assembly

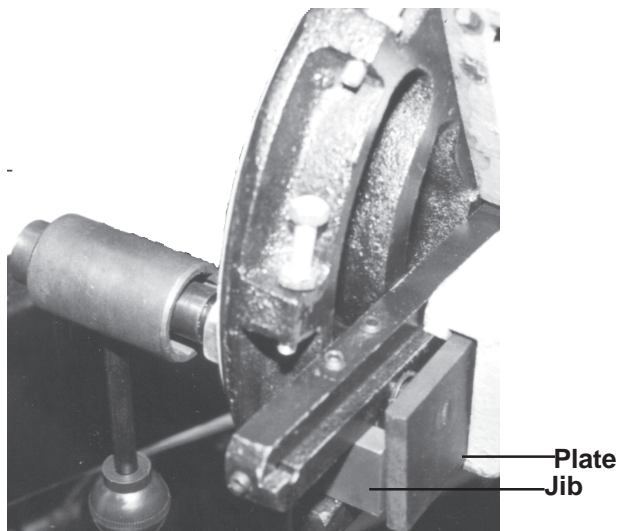
Step 1) Insert the Fence Plate (#18) through the hole in the Cross Slide Plate (#19). Insert Washer (#25) and Nut (#26) onto Bolt (#27). Add Washer and slide Bolt (#27) through Plate (#18). Attach the Handle Pole (#29) and Socket (#30) over the Nut. Attach Cap (#31) and tighten into place-see Figures 5, 6 and 7.



**Figure 5**



**Figure 6**



**Figure 7**

Step 2) Flip the square jib so that its end sits against the flat part of the Plate (18)-see Figure 7.

Step 3) Using an Allen Wrench, attach this assembly to the Fence (#11) with the three Hex Screws (#24)-see Figure 6.

### Operation

When operating your Jointer, it will be helpful to refer to the Parts List and Assembly Diagram on the last pages of this manual.

Never force the tool or attachment to do the work of a larger industrial tool. It is designed to do the job better and more safely at the rate for which it was intended.

Use only wood boards.

Do not force feed your work through the machine. Allow the Jointer to feed at the designated rate of feed.

**Note:** This tool is specifically designed for the planing of lumber. Before working with any lumber, check for any foreign materials such as nails, screws, or hard impurities. Also check for loose knots in the wood. If not cleaned off these may cause damage to the blade or machine.

When feeding your lumber, use Push Blocks to feed the lumber, rather than using your hands.

### **Settings and Adjustments**

Before adjustments are made, ensure that the machine is SWITCHED OFF AND UNPLUGGED. Also make sure all locking handles and securing screws are fully tightened when adjustments are complete.

#### Raising and Lowering Tables

Step 1) For both the Infeed Table (#33) and Out Feed Table (#1) loosen the Lock Screw (#45) nearest the Handle Wheel (#43). Turn the Handle Wheel until the Table is set at the proper height. Once the table is set as desired, tighten down the Lock Screw (#56).



### Fence Adjustments

The Fence (part #11) is assembled to the front of the Infeed Table (#33). The Fence can be moved across the Table and can be tilted 45 degrees right or left by using the Handle Pole (#29).

Step 1) To move the Fence (#11) across the Table, turn the Handle Pole (#29) to loosen. Slide the Socket (#30) over the Nut (#26). Use the Socket (#30) to loosen the Nut (#26). Slide the Table to its desired position. Tighten the Socket (#30) in place and tighten back down the Handle.

Step 2) To tilt the Fence (#11), loosen the Handle Pole (#29). Slide the Socket (#30) over the Cap (#31). Loosen the Cap and tilt the Fence to the desired position. Tighten the Cap (#31) into place and tighten back down the Handle Pole (#29)-see Figure 6.

### Most Common Operations

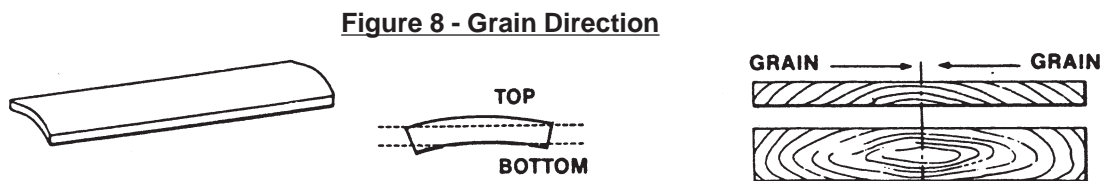
Jointing **cuts** or edges as well as Planing are the two most common operations which can be done with your Jointer. For Jointing, set the fence square with the table. Hold the best face of your work piece firmly against the fence throughout the feed.

**Note:** Do not perform jointing on material shorter than 10 “, narrower than 3/4”, or thinner than 1/2”.

Planing is similar to jointing except that the workpiece is placed differently. The flat surface of the piece is placed on the infeed table with the narrow edge of the piece against the fence. Move the piece from the infeed table, across the cutterhead to the outfeed table. Always use the push blocks when planing. Never pass your hands directly over the cutterhead.

### Grain Direction

Feeding with the grain is feeding so that the knives travel in the same direction as the slant of the grain. Please see Figure below.



Grain patterns often have a “V” shape. The point of the “V” should point away from the cutter head while feeding.

Grain direction can also be determined by running your fingertips over the stock. The stock will be smoother when your fingertips are moving with the grain.

Occasionally the grain direction reverses in the same piece of wood. For best planing results, it would be better to cut the board in half so that each section can be planed with the grain.

### Knife and Outfeed Table

The knives must be perfectly level with the outfeed table. Make certain that the Jointer is OFF and that it is UNPLUGGED before making any adjustments.

Step 1) Loosen the Lock Lever and lower the infeed table by pushing the Handle down.

Step 2) Remove the Cutterhead Guard.

Step 3) Place a steel straight edge on the outfeed table so that it also covers the cutterhead. Carefully turn the cutterhead so that the knives are barely touching the straight edge.

Step 4) If the knife is not aligned at one or both sides, loosen Bolts (60) which hold the Knife Lock Bar (61). Use a knife setting gauge (not included) to make sure that the knife at each end of the cutter is the same height. Repeat for the next two (2) knives as is fitting. If the knives are set to low, this will result in a curve in your wood. If the knives are too high, it may result in a gouged cut in your work piece.

#### Adjusting Table Gibs

"Gibs" are adjusted at the factory and should not need adjusting. Adjustments should be made by a qualified service technician. If adjustment is required, please follow the steps laid out below after unplugging the electrical connection.

Step 1) Loosen all the gib adjusting screws, making sure that the Table Lock Screw (#45) is loose.

Step 2) Retighten the gib screws beginning with the lowest first and moving to the top gib. Push up gently on the outside edge of the Table being adjusted.

Warning: Do not leave the screws too loose. It should take some effort to move the Table up or down.

#### Removing or Replacing Knives

Make certain that the Jointer is UNPLUGGED and OFF. Adjustments should be made by a qualified service technician. Be extremely careful when handling the knives! Make certain that the Bars are free of dirt and debris.

Step 1) Move the Fence (#11) to the rear of the Jointer and remove the Cutterhead Guard.

Step 2) With a wrench, loosen the four (4) Screws (#12) in each knife slot. Remove each Knife (#62) and the Knife Lock Bars (#61).

Step 3) Replace the Knives (#62) in the groove so that the rear edge of the bevel is 1/16" from the surface of the Cutterhead.

Step 4) Slide the Lock Bar (#61) into place. Tighten down the Screws (#12) in each slot.

**Warning!** Knife edges are very sharp. Be very careful when moving knives. Refer to Operator Safety Instructions at the beginning of this manual.

Step 5) The surface of the Cutterhead and the blade must be parallel, as well as the blade to the Bar. All three should be parallel to each other.

Step 6) Correct adjustment will ensure that the cutting edge of the knife extends out at .060" from the cutterhead diameter.

Step 7) Carefully turn the cutterhead, until its round side is showing on top. Place a .060" feeler gauge on the cutterhead. With a straight edge on the rear table adjust the height of the rear table to .060".

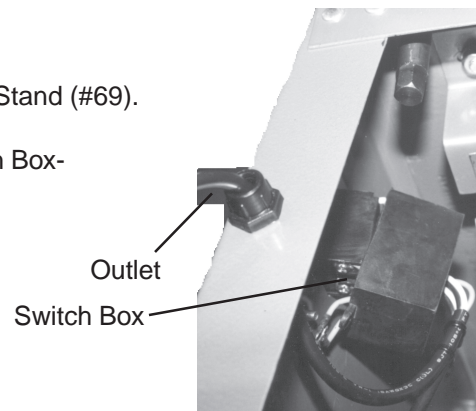
- Step 8) Secure the rear table in position and remove the feeler gauge.
- Step 9) Lower the infeed table and place a straight edge on the outfeed table so that it extends out over the cutterhead.
- Step 10) Turn the cutterhead by hand until the knife is at its highest point at each end of the cutterhead. Using the wrench, turn the screw clockwise until the knife just touches the straight edge on each end and at the center. Once the knife is fully adjusted, again tighten the four locking screws.

### Sharpening the Knives

- Step 1) Use a fine grade Carborundum stone. Cover the bottom portion of the stone with paper. The top portion will touch the knife, and the paper will keep the stone from scratching the table.
- Step 2) Lay the stone on the infeed table. Lower the table and turn the cutterhead until the stone lies flat on the edge of the knife. Sharpen the beveled edge of the knife by sliding the stone back and forth across the table. Repeat for each additional knife.

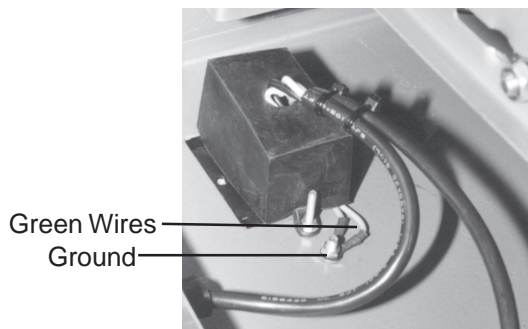
### Wiring the Jointer-On and OFF

- Step 1) Insert the Switch Box through the hole in the Stand (#69).
- Step 2) Insert the wires through the hole in the Switch Box-see Figure 9.

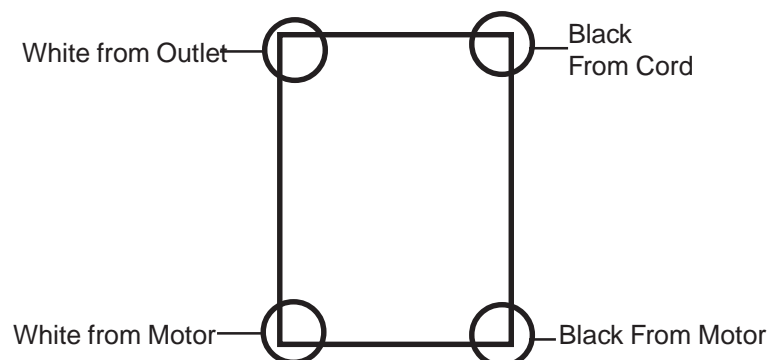


**Figure 9**

- Step 3) The cord from the Motor (#29A-Stand Assembly) contains three (3) different colored wires; White, Green and Black. The White wire from the Motor (#29A) is attached to the wiring box on the bottom lower left.
- Step 4) The Black Wire from the Motor is attached to the box at the bottom right. The green from the Motor is attached to the ground.
- Step 5) The Electrical Cord has three different colored wires; Green, White and Black. The white wire is to be attached to the box at the top left. The Black is to be attached to the top right. The green wire goes to the ground.
- Step 6) The ground is the lower screw as shown in Figure 10. The lower screw is inserted through the Jointer and is tightened into place by sliding on a Lock Washer and then a Nut. Do not tighten into place until both green wires are attached to the ground-see Figure 10 and 12.

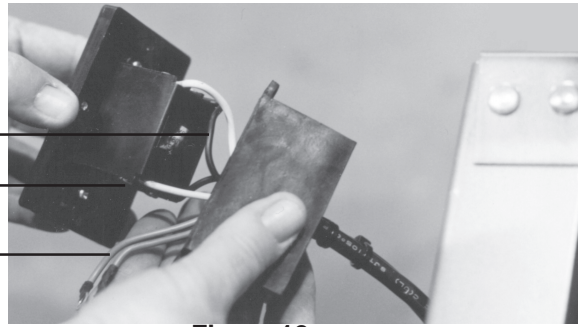


**Figure 10**



**Figure 11**

Black to corners  
White to corners  
Green to Ground



**Figure 12**

### Turning the Jointer ON and OFF

- Step 1) To turn the Jointer ON, press down on the green button on top.
- Step 2) To turn OFF the Jointer, press down the red button on the bottom.

---

IF THERE IS ANY QUESTION ABOUT A CONDITION BEING SAFE OR UNSAFE, DO NOT OPERATE THE TOOL.

---

### **After Operation-Maintenance**

**CLEANING:** Regularly clean the work surface with a dry brush or clean cloth. Keep machined parts of the Jointer lightly greased. Prevent wood, dust and debris from accumulating.

**STORAGE:** Child-proof the machine and work area. Make sure to use padlocks and master switches

---

IF THERE IS ANY QUESTION ABOUT A CONDITION BEING SAFE OR UNSAFE, DO NOT OPERATE THE TOOL.

---

### PLEASE READ THE FOLLOWING CAREFULLY

*THE MANUFACTURER AND/OR DISTRIBUTOR HAS PROVIDED THE PARTS DIAGRAM IN THIS MANUAL AS A REFERENCE TOOL ONLY. NEITHER THE MANUFACTURER NOR DISTRIBUTOR MAKES ANY REPRESENTATION OR WARRANTY OF ANY KIND TO THE BUYER THAT HE OR SHE IS QUALIFIED TO MAKE ANY REPAIRS TO THE PRODUCT OR THAT HE OR SHE IS QUALIFIED TO REPLACE ANY PARTS OF THE PRODUCT. IN FACT, THE MANUFACTURER AND/OR DISTRIBUTOR EXPRESSLY STATES THAT ALL REPAIRS AND PARTS REPLACEMENTS SHOULD BE UNDERTAKEN BY CERTIFIED AND LICENSED TECHNICIANS AND NOT BY THE BUYER. THE BUYER ASSUMES ALL RISK AND LIABILITY ARISING OUT OF HIS OR HER REPAIRS TO THE ORIGINAL PRODUCT OR REPLACEMENT PARTS THERETO, OR ARISING OUT OF HIS OR HER INSTALLATION OF REPLACEMENT PARTS THERETO.*

## Unpacking

### UNPACK AND CHECK CONTENTS

When unpacking your Jointer with Stand check to make sure the following parts are included. If any parts are missing or broken, please call HARBOR FREIGHT TOOLS at **1-800-444-3353**.

#### Parts List - Stand Assembly

| Part # | Description         | Quantity | Part # | Description            | Quantity |
|--------|---------------------|----------|--------|------------------------|----------|
| 1A     | Roof                | 1        | 17A    | Head Square Root Screw | 32       |
| 2A     | Upper Link Plate    | 1        | 18A    | Crossbeam Plate        | 1        |
| 3A     | Reinforce Plate     | 1        | 19A    | Side Link Plate        | 2        |
| 4A     | Upright Plate       | 1        | 20A    | Chassis                | 4        |
| 5A     | Bolt M8 X25         | 4        | 21A    | Lock Washer            | 4        |
| 6A     | Nut                 | 50       | 22A    | Bolt                   | 1        |
| 7A     | Washer              | 50       | 23A    | Right Tapping Fender   | 6        |
| 8A     | Right Protect Plate | 1        | 24A    | Lock Plate             | 1        |
| 9A     | Nut                 | 2        | 25A    | Tapping Plate          | 1        |
| 10A    | Screw M4 x 25       | 2        | 26A    | Left Protecting Plate  | 1        |
| 11A    | Screw M5 X 8        | 1        | 27A    | Left Tapping Fender    | 1        |
| 12A    | Washer              | 1        | 28A    | Motor Pulley           | 1        |
| 13A    | Nut                 | 1        | 29A    | Motor                  | 1        |
| 14A    | Lock clip           | 1        | 30A    | Rear Side Plate        | 1        |
| 15A    | Cable               | 1        | 31A    | Button head Cap Screw  | 10       |
| 16A    | Front Side Plate    | 1        |        |                        |          |

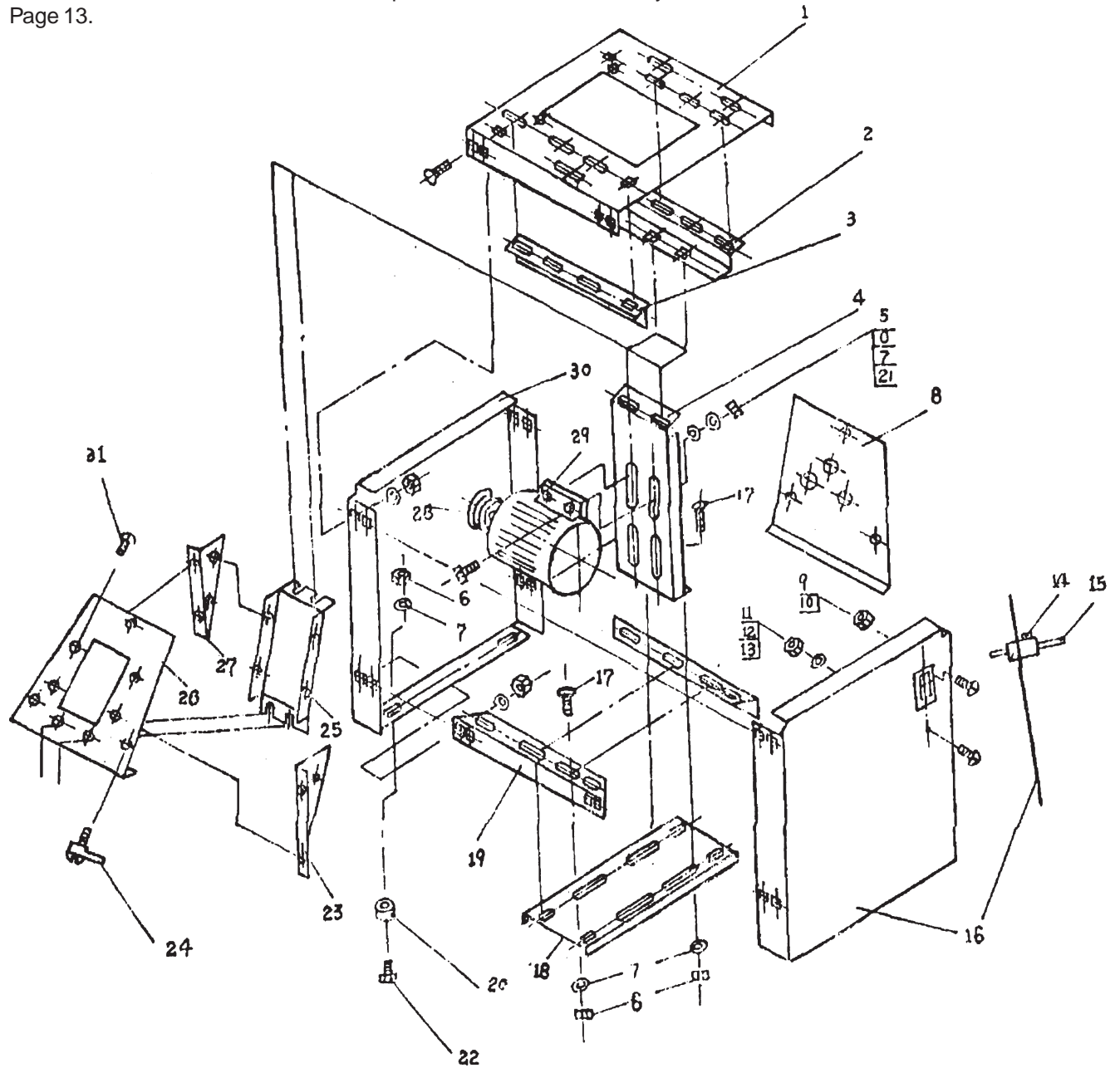
**Note: Some parts listed and shown (pages 13 through 16) are for illustration purposes only and are not available individually as replacement parts.**

### Parts List - Jointer Assembly

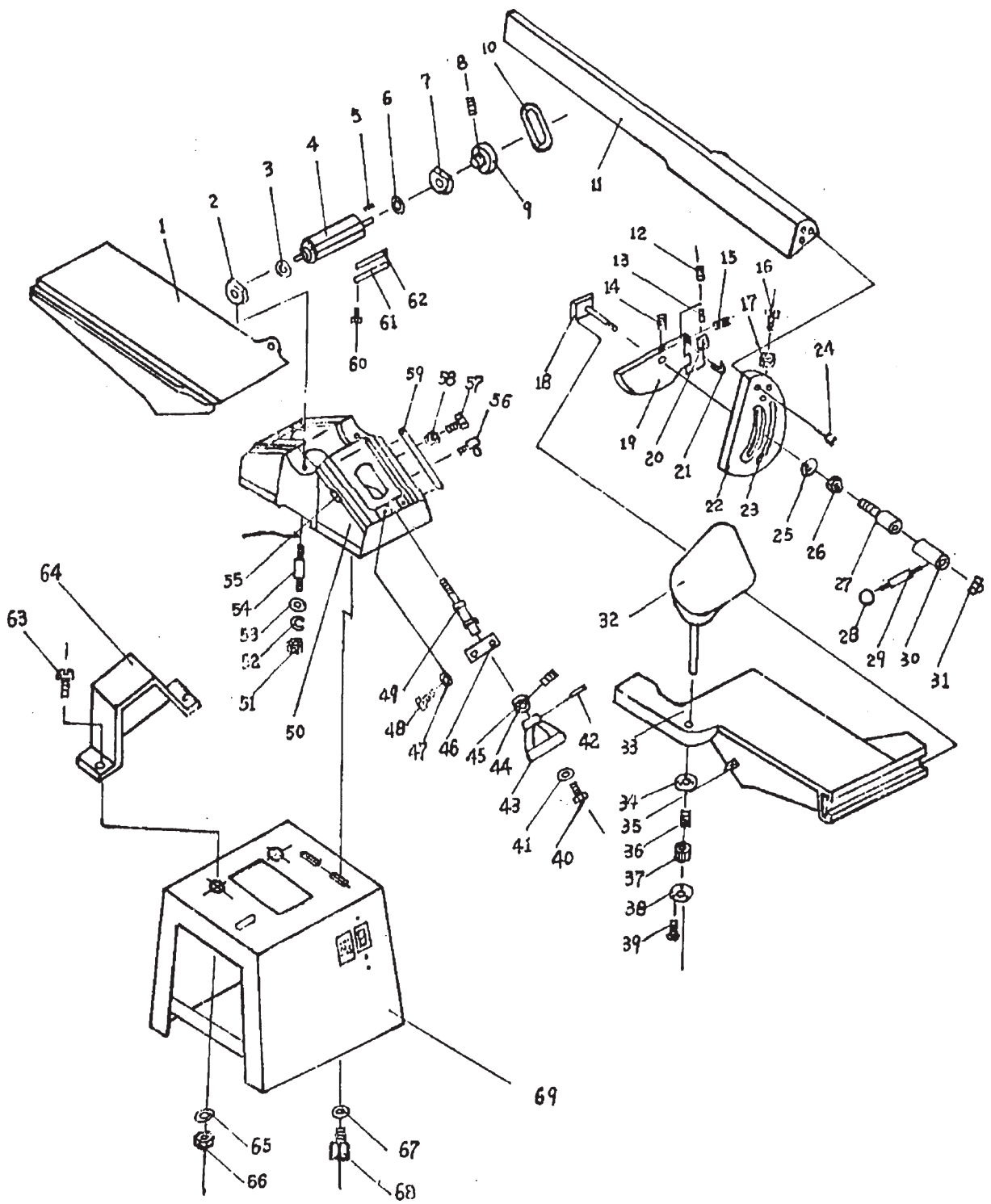
| Part # | Description          | Quantity | Part # | Description             | Quantity |
|--------|----------------------|----------|--------|-------------------------|----------|
| 1      | Outfeed Table        | 1        | 36     | Spring                  | 1        |
| 2      | Bearing Housing      | 1        | 37     | Spring Knob             | 1        |
| 3      | Ball bearing         | 1        | 38     | Retainer                | 1        |
| 4      | Cutter Head Assembly | 1        | 39     | Recessed Screw          | 3        |
| 5      | Key                  | 1        | 40     | Belt                    | 2        |
| 6      | Ball Bearing         | 1        | 41     | Washer                  | 2        |
| 7      | Bearing Housing      | 1        | 42     | Pin                     | 2        |
| 8      | Set Screw M6 X 12    | 2        | 43     | Handle Wheel            | 2        |
| 9      | Cutter Head Pulley   | 1        | 44     | Lock Washer             | 2        |
| 10     | Belt                 | 1        | 45     | Lock Screw              | 2        |
| 11     | Fence                | 1        | 46     | Lock Block              | 2        |
| 12     | Set Screw M6 X 10    | 1        | 47     | Flat Washer             | 4        |
| 13     | Roll Pin             | 1        | 48     | Hex Screw               | 4        |
| 14     | Set Screw M 6 X 10   | 1        | 49     | Adjusting Pole          | 2        |
| 15     | Set Screw M6 X 10    | 1        | 50     | Base                    | 1        |
| 16     | Bolt 6 X 40          | 3        | 51     | Nut                     | 2        |
| 17     | Nut                  | 3        | 52     | Lock Washer             | 2        |
| 18     | Plate                | 1        | 53     | Fault Washer            | 2        |
| 19     | Cross Slide Plate    | 1        | 54     | Screw                   | 2        |
| 20     | Stop Block           | 1        | 55     | Depth Scale             | 1        |
| 21     | Pointer Rod          | 1        | 56     | Lock Screw              | 2        |
| 22     | Fence Segment        | 1        | 57     | Bolt                    | 4        |
| 23     | Tilt Angle Seat      | 1        | 58     | Nut                     | 4        |
| 24     | Hex Screw            | 3        | 59     | Gib                     | 2        |
| 25     | Washer               | 3        | 60     | Bolt                    | 12       |
| 26     | Nut                  | 1        | 61     | Knife Lock Bar          | 3        |
| 27     | Bolt                 | 1        | 62     | Knives                  | 3        |
| 28     | Handle Ball          | 1        | 63     | Recessed Screw M 8 X 12 | 2        |
| 29     | Handle Pole          | 1        | 64     | Belt Cover              | 1        |
| 30     | Socket               | 1        | 65     | Flat Washer             | 2        |
| 31     | Cap                  | 1        | 66     | Nut                     | 2        |
| 32     | Cutter Guard         | 1        | 67     | Flat Washer             | 3        |
| 33     | Infeed Table         | 1        | 68     | Bolt                    | 3        |
| 34     | Retainer Washer      | 1        | 69     | Stand (See Stand Assy.) | 1        |
| 35     | Depth Scale          | 1        |        |                         |          |

## Stand Assembly Diagram

Each of the Part Numbers below correspond to the Stand Assembly and has the suffix "A" - see Parts List on Page 13.

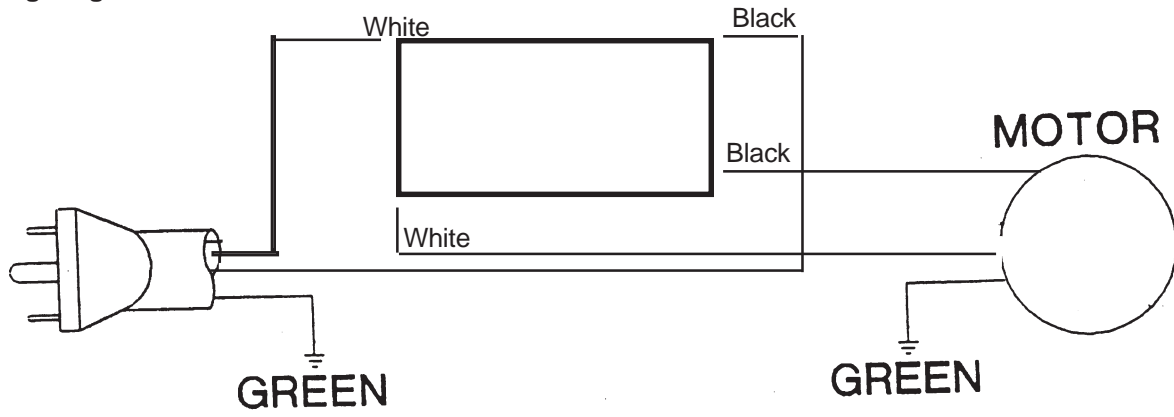


Jointer Assembly Diagram - See Parts List on Page 14





**Wiring Diagram**



## Free Manuals Download Website

<http://myh66.com>

<http://usermanuals.us>

<http://www.somanuals.com>

<http://www.4manuals.cc>

<http://www.manual-lib.com>

<http://www.404manual.com>

<http://www.luxmanual.com>

<http://aubethermostatmanual.com>

Golf course search by state

<http://golfingnear.com>

Email search by domain

<http://emailbydomain.com>

Auto manuals search

<http://auto.somanuals.com>

TV manuals search

<http://tv.somanuals.com>