

# HAUL-MASTER™

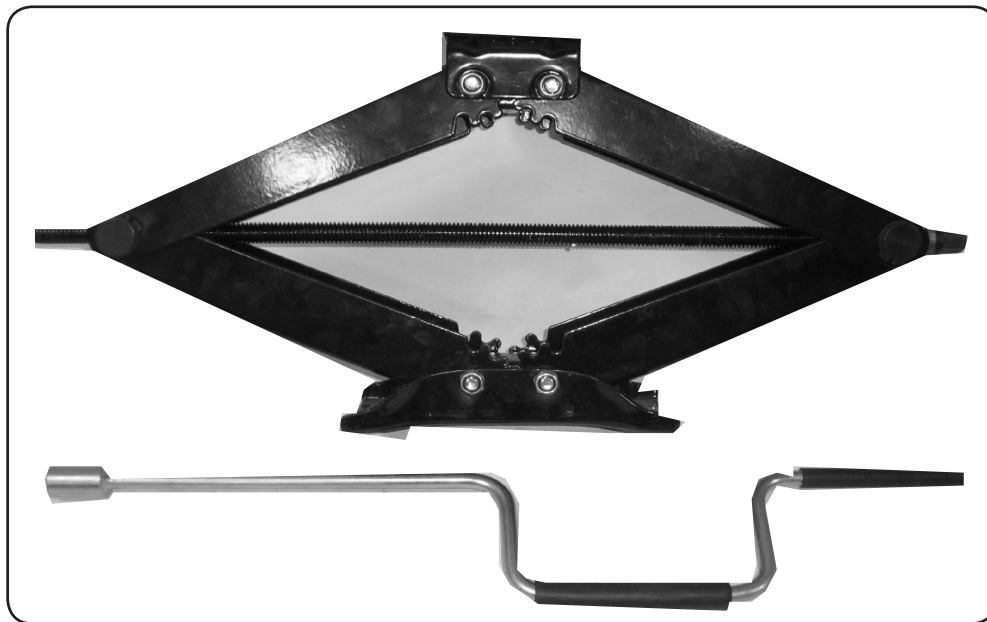


## LEVELING SCISSOR JACK

5,000 LB. CAPACITY

**Model 96406**

### OPERATION INSTRUCTIONS



Due to continuing improvements, actual product may differ slightly from the product described herein.



3491 Mission Oaks Blvd., Camarillo, CA 93011

Visit our website at: <http://www.harborfreight.com>

**TO PREVENT SERIOUS INJURY, READ AND UNDERSTAND  
ALL WARNINGS AND INSTRUCTIONS BEFORE USE.**

Copyright© 2007 by Harbor Freight Tools®. All rights reserved. No portion of this manual or any artwork contained herein may be reproduced in any shape or form without the express written consent of Harbor Freight Tools.

**For technical questions or replacement parts, please call 1-800-444-3353.**

---

## SPECIFICATIONS

---

Jack Construction	10 Gauge Sheet Steel Plate
Crank Handle Construction and Dimensions	Steel Rod Rubber Grip and Attached Socket 25-3/4" L X 15/32" Diameter (5" Long Rubber Handle and Grip)
Jack Capacity	5000 lb. maximum capacity with height not less than 13-3/4"
Lift Range	4-5/8" Minimum Height to 23-1/2" Maximum Height
Overall Dimensions	26-1/4" Total Length X 4-5/8" High X 6-3/4" Wide (Collapsed for Storage)
Jack Mounting	Bolt-On (see directions on page 5 of this manual) Weld-On (see directions on page 5 of this manual) Unmounted use is NOT recommended
Weight	14.35 lb. (Jack Only)

### Save This Manual

You will need this manual for the safety warnings and precautions, assembly, operating, inspection, maintenance and cleaning procedures, parts list and assembly diagram. Keep your invoice with this manual. Write the invoice number on the inside of the front cover. Write the product's serial number in the back of the manual near the assembly diagram, or write month and year of purchase if product has no number. Keep this manual and invoice in a safe and dry place for future reference.

---

## SAFETY RULES AND WARNINGS

---

 **WARNING!**

**READ AND UNDERSTAND ALL INSTRUCTIONS**  
**Failure to follow all instructions listed below may result in serious injury.**  
**SAVE THESE INSTRUCTIONS**

1. **DO NOT USE THIS LEVELING JACK FOR LIFTING.** Do not use to change tires.
2. **Keep space around Jack as uncluttered as possible when using this Leveling Scissor Jack.** Clutter can hinder smooth operation and possibly cause accidents and/or serious personal injury. Keep area well lit.
3. **Keep out from under trailer or RV.** Keep hands away from scissor mechanism.
4. **Do not exceed maximum weight capacity of 5000 lb.**
5. **Wear ANSI-approved safety goggles and heavy duty work gloves during use.**
6. **Level only at trailer or RV manufacturer's recommended lifting points.**
7. **Install this Leveling Scissor Jack in accordance with DMV regulations.**
8. **Keep children away.** Children must never be allowed in the Leveling Jack area. Do not let them handle the Jack at any time.

9. **Use the right tool for the job.** There are certain applications for which this Leveling Scissor Jack was designed. It will do the job better and more safely at the rate for which it was intended. Do not modify this Jack and do not use this Jack for a purpose for which it was not intended.
10. **Dress properly.** Do not wear loose clothing or jewelry as they can be caught in moving parts. Wear restrictive hair covering to contain long hair.
11. **Do not overreach.** Keep proper footing and balance at all times. Do not reach over or across a Leveling Jack under a load.
12. **Maintain tools with care.** Keep tools clean for better and safer performance. Follow instructions for lubricating and changing accessories. The handle must be kept clean, dry, and free from oil and grease at all times.
13. **Check for damaged parts.** Before using any tool, any part that appears damaged should be carefully checked to determine that it will operate properly and perform its intended function. Check for alignment and binding of moving parts; any broken parts or mounting fixtures; and any other condition that may affect proper operation. Any part that is damaged should be properly repaired or replaced by a qualified technician.
14. **Replacement parts and accessories.** When servicing, use only identical replacement parts. Use of any other parts will void the warranty. Only use accessories intended for use with this tool. Approved accessories are available from Harbor Freight Tools.
15. **Stay alert.** Watch what you are doing, use common sense. Do not operate any tool when you are tired.
16. **Do not operate tool if under the influence of alcohol or drugs.** Read warning labels if taking prescription medicine to determine if your judgment or reflexes are impaired while taking drugs. If there is any doubt, do not operate the tool.
17. **Stand clear of the Leveling Jack when attempting to level any trailer or RV.**
18. **Never exceed the Jack's capacity of 5,000 lb.** Check the trailer or RV's manual to determine the actual gross weight before attempting to level it. **This Jack's weight capacity is 5,000 lb. only between 13-3/4" and 23-1/2"; the weight capacity drastically reduces as the height drops below this level. Do not apply a load to this jack below 13-3/4" in height.**
19. **Never stand on the Jack and never have people or pets in the trailer or RV you are attempting to level.**
20. **Place the Leveling Jack on a flat, level surface.** Only use this Jack on a stable, clean, dry surface that is capable of sustaining the weight of the Jack and the load it is stabilizing.
21. **Stabilize the load.** Ensure that the load remains stable at all times. Do not move the load while it is on the Leveling Jack.
22. **Block all of the wheels when leveling an RV or trailer.**

23. **Do not use this leveling scissor jack for aircraft purposes.**
24. **Some RV sub-frames are not capable of handling any additional forces beyond its intended design strength to support the cabin weight. Contact your RV manufacturer for the sub-frame strength information before use of this Scissor Jack.**
25. **The warnings, cautions, and instructions discussed in this instruction manual cannot cover all possible conditions and situations that may occur. It must be understood by the operator that common sense and caution are factors which cannot be built into this product, but must be supplied by the operator.**

---

## **UNPACKING**

---

When unpacking, check to make sure the item is intact and undamaged. If any parts are missing or broken, please call Harbor Freight Tools at the number on the cover of this manual as soon as possible.

---

## **ASSEMBLY**

---

This Leveling Scissor Jack comes completely assembled. For further information on parts and assembly break-down, see the diagram on page 7 of this manual.

---

## **INSTALLATION**

---

**WARNING! DO NOT USE THIS LEVELING SCISSOR JACK WHILE UNMOUNTED.**

1. Park RV or Trailer on level ground. Prevent the wheels from rolling by applying emergency brake and wheel blocks (not included).
2. Check the following before proceeding with the installation:
  - a. Attach Jack to the frame of the RV or Trailer using two c-clamps (not included) or two vise grips (not included). Close the Jack using the Handle Wrench (16) to check the frame location. Make sure the Jack will clear any chassis components nearby.
  - b. Open the Jack enough to touch the ground. Recheck the location on the frame and adjust if needed.
  - c. Once in place, apply enough pressure between the ground and the Jack to ensure that it will not move during the rest of the installation process. Remove the c-clamps (not included) or vise grips (not included).

## **BOLT-ON INSTALLATION**

1. **WARNING! BEFORE DRILLING HOLES, CHECK FOR ANY CHASSIS COMPONENTS WHICH MAY BE INSIDE THE FRAME. LOOK FOR ELECTRICAL LINES AND WIRES, GAS TANK, GAS LINES, WATER AND HOLDING TANKS, GENERATOR FUEL LINES AND WATER HEATER LINES. MAKE SURE AREA IS CLEAR OF THESE COMPONENTS BEFORE DRILLING.**
2. Hold the Jack against the frame and using the Mounting Brackets (9) as a template, mark the locations of the 8 mounting holes on the RV or Trailer frame. Remove the Jack.
3. Use a center punch (not included) and hammer (not included) to mark the center of each hole.
4. Use a drill (not included) to make a pilot hole 1/8". Then use a 5/16" drill bit (not included) to complete each hole. Use eight 3/8" tapping screws (not included) with eight lock washers (not included) to attach the Jack to the frame.

## **WELD-ON INSTALLATION**

1. Refer to "Installation" and steps 1 and 2 under "Bolt-on Installation" on pages 4 and 5 of this manual.
2. Weld at least four 1" welds on the Jack Mounting Brackets (9) when attaching to the frame.

---

## **OPERATION**

---

### **TRAILERS, TRAVEL TRAILERS AND 5TH WHEELS**

1. Park on level ground.
2. Level trailer (travel trailer, 5th wheel) front and back with small carpenter's level (not included), or round bubble level (not included). Place leveling blocks (not included) in front of one tire on trailer. Slowly pull forward to drive the trailer up onto the blocks. When the trailer is level, stop and block all tires to keep from rolling forward or backward.
3. Using Handle Wrench (16) lower the Scissors Jack on the lowest side first to get level. Use Jacks on opposite sides for best stabilization.
4. After Jack makes firm contact with ground, turn Handle Wrench (16) twice to insure Jack will not loosen from trailer during use.

**NOTE:** When RV or trailer will not be moved for several days, periodically check Jacks to be sure they have not worked loose.

### **MOTOR HOMES**

1. Park on level ground and level motor home front and back (see step 2 in previous section).

- Using Handle (16) lower Jacks on opposite sides for stabilization (see steps 3 and 4 in previous section).

**NOTE:** If motor home comes with factory installed hydraulic levelers, the Leveling Scissor Jack can be used to provide additional stabilization. Follow the directions for installation found in this manual on pages 4 and 5.

---

## MAINTENANCE

---

- Before use, inspect the Leveling Scissor Jack for cracks, dirt or debris in threads, loose welds or bolts and anything else that looks or feels abnormal. If anything is found, do not use the Jack. Have it repaired or replaced.
- Keep the Leveling Scissor Jack clean and dry.
- Periodically lubricate Screw Rod (4) Threads with high quality light weight oil (not included).

---

## LIMITED 90 DAY WARRANTY

---

Harbor Freight Tools Co. makes every effort to assure that its products meet high quality and durability standards, and warrants to the original purchaser that this product is free from defects in materials and workmanship for the period of 90 days from the date of purchase. This warranty does not apply to damage due directly or indirectly, to misuse, abuse, negligence or accidents, repairs or alterations outside our facilities, criminal activity, improper installation, normal wear and tear, or to lack of maintenance. We shall in no event be liable for death, injuries to persons or property, or for incidental, contingent, special or consequential damages arising from the use of our product. Some states do not allow the exclusion or limitation of incidental or consequential damages, so the above limitation of exclusion may not apply to you. THIS WARRANTY IS EXPRESSLY IN LIEU OF ALL OTHER WARRANTIES, EXPRESS OR IMPLIED, INCLUDING THE WARRANTIES OF MERCHANTABILITY AND FITNESS.

To take advantage of this warranty, the product or part must be returned to us with transportation charges prepaid. Proof of purchase date and an explanation of the complaint must accompany the merchandise. If our inspection verifies the defect, we will either repair or replace the product at our election or we may elect to refund the purchase price if we cannot readily and quickly provide you with a replacement. We will return repaired products at our expense, but if we determine there is no defect, or that the defect resulted from causes not within the scope of our warranty, then you must bear the cost of returning the product.

This warranty gives you specific legal rights and you may also have other rights which vary from state to state.

**3491 Mission Oaks Blvd. • PO Box 6009 • Camarillo, CA 93011 • (800) 444-3353**

**Record Product's Serial Number Here:** \_\_\_\_\_

**Note:** If product has no serial number, record month and year of purchase instead.

**Note:** Some parts are listed and shown for illustration purposes only, and are not available individually as replacement parts.

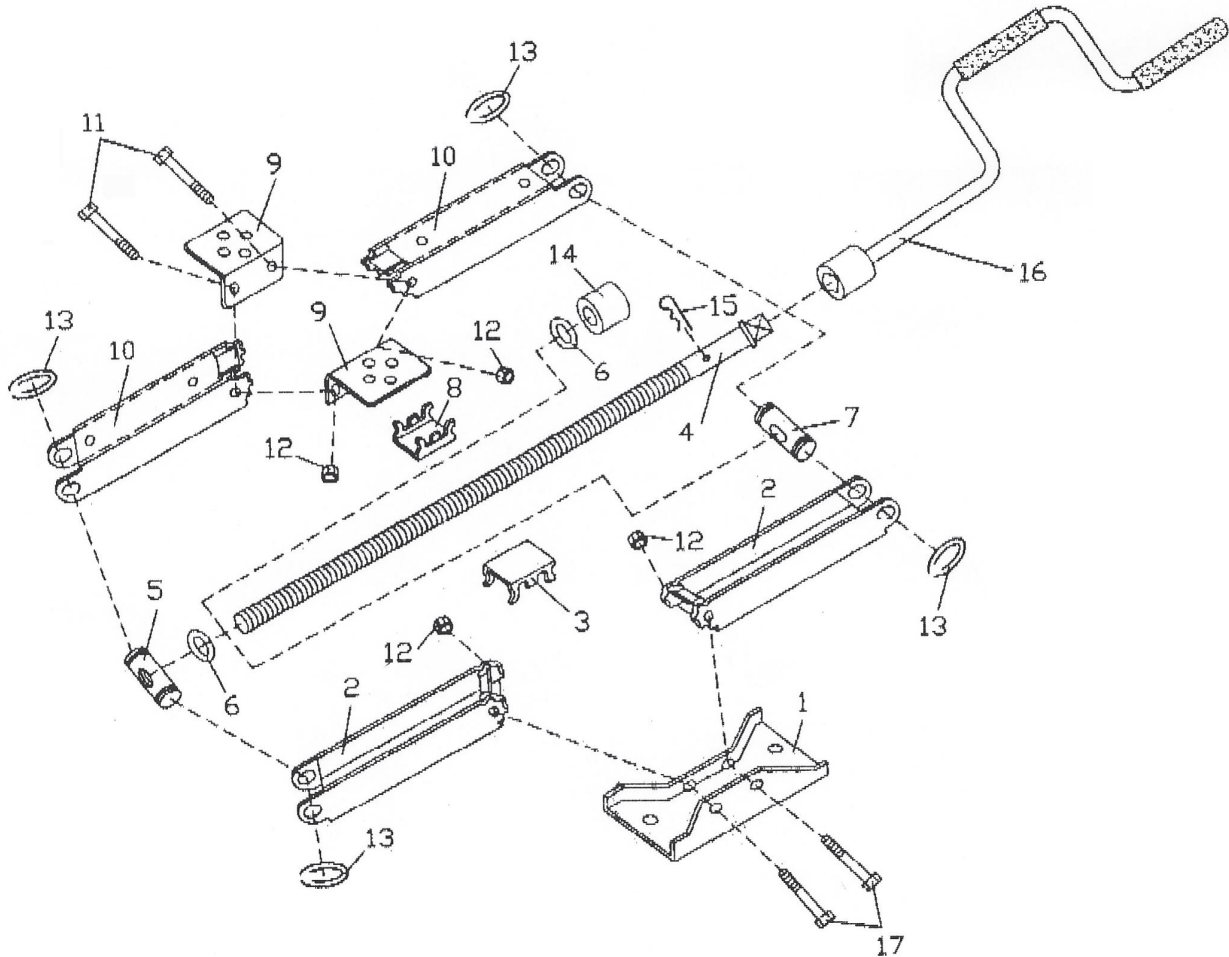


## PARTS LIST AND DIAGRAM

Part	Description	Q'ty
1	Base	1
2	Lower Lifting Arm	2
3	Lower Fixing Frame	1
4	Screw Rod	1
5	Axis with Thread	1
6	Flat Washer 16	2

Part	Description	Q'ty
7	Axis w/out Thread	1
8	Upper Fixing Frame	1
9	Mounting Brackets	2
10	Upper Lifting Arm	2
11	Hex Bolt M10 X 70	2
12	Lock Nut M10	4

Part	Description	Q'ty
13	Retaining Ring	4
14	Bearing	1
15	R-Clip	1
16	Handle Wrench	1
17	Hex Bolt M10 X 80	2



### PLEASE READ THE FOLLOWING CAREFULLY

THE MANUFACTURER AND/OR DISTRIBUTOR HAS PROVIDED THE PARTS LIST AND ASSEMBLY DIAGRAM IN THIS MANUAL AS A REFERENCE TOOL ONLY. NEITHER THE MANUFACTURER OR DISTRIBUTOR MAKES ANY REPRESENTATION OR WARRANTY OF ANY KIND TO THE BUYER THAT HE OR SHE IS QUALIFIED TO MAKE ANY REPAIRS TO THE PRODUCT, OR THAT HE OR SHE IS QUALIFIED TO REPLACE ANY PARTS OF THE PRODUCT. IN FACT, THE MANUFACTURER AND/OR DISTRIBUTOR EXPRESSLY STATES THAT ALL REPAIRS AND PARTS REPLACEMENTS SHOULD BE UNDERTAKEN BY CERTIFIED AND LICENSED TECHNICIANS, AND NOT BY THE BUYER. THE BUYER ASSUMES ALL RISK AND LIABILITY ARISING OUT OF HIS OR HER REPAIRS TO THE ORIGINAL PRODUCT OR REPLACEMENT PARTS THERETO, OR ARISING OUT OF HIS OR HER INSTALLATION OF REPLACEMENT PARTS THERETO.

## Free Manuals Download Website

<http://myh66.com>

<http://usermanuals.us>

<http://www.somanuals.com>

<http://www.4manuals.cc>

<http://www.manual-lib.com>

<http://www.404manual.com>

<http://www.luxmanual.com>

<http://aubethermostatmanual.com>

Golf course search by state

<http://golfingnear.com>

Email search by domain

<http://emailbydomain.com>

Auto manuals search

<http://auto.somanuals.com>

TV manuals search

<http://tv.somanuals.com>