

ROLLER STAND WITH TWO-LEG SUPPORT

Model 95621

ASSEMBLY AND OPERATING INSTRUCTIONS



3491 Mission Oaks Blvd., Camarillo, CA 93011
Visit our Web site at <http://www.harborfreight.com>

Copyright © 2006 by Harbor Freight Tools. All rights reserved. No portion of this manual or any artwork contained herein may be reproduced in any shape or form without the express written consent of Harbor Freight Tools.

For technical questions and replacement parts, please call 1-800-444-3353

Specifications

Overall Dimensions	17" L x 19" W x 42-3/4" H (fully extended)
Weight Capacity	132 lbs.
Adjustable Height	26-3/4" to 42-3/4" H with positive stops
Material	Steel Square and Round Tubing Thermoplastic Rubber Shoes Foldable Design
Ball Bearing Roller	11-1/4" L
Net Weight	9.46 lbs.

Save This Manual

You will need the manual for the safety warnings and precautions, assembly instructions, operating and maintenance procedures, parts list and diagram. Keep your invoice with this manual. Write the invoice number on the inside of the front cover. Keep the manual and invoice in a safe and dry place for future reference.

Safety Warnings and Precautions

WARNING: When assembling and using stand, basic safety precautions should always be followed to reduce the risk of personal injury and damage to equipment. Read all instructions before setup and use!

1. **Keep work area clean.** Cluttered areas invite injuries.
2. **Observe work area conditions.** Do not use in damp or wet locations. Don't expose to rain. Keep work area well lighted. Do not use electrically powered tools in the presence of flammable gases or liquids.
3. **Keep children away.** Children must never be allowed in the work area. Do not let them handle machines, tools, or extension cords. Never allow children to play with or climb on the Roller Stand
4. **Store idle equipment.** When not in use, tools must be stored in a dry location to inhibit rust. Always lock up tools and keep out of reach of children.
5. **Do not force tool.** It will do the job better and more safely at the rate for which it was intended. Do not use modify the Roller Stand to perform a task for which it was not designed.

6. **Use the right tool for the job.** Do not attempt to force a small tool or attachment to do the work of a larger industrial tool. There are certain applications for which this tool was designed. Do not modify this tool and do not use this tool for a purpose for which it was not intended.
7. **Dress properly.** Do not wear loose clothing or jewelry as they can be caught in moving parts. Protective, electrically non-conductive clothes and non-skid footwear are recommended when working. Wear restrictive hair covering to contain long hair.
8. **Use eye and ear protection.** Always wear ANSI-approved impact safety goggles. Wear a full face shield if you are producing metal filings or wood chips. Wear an ANSI-approved dust mask or respirator when working around metal, wood, and chemical dusts and mists.
9. **Do not overreach.** Keep proper footing and balance at all times. Do not reach over or across running machines.
10. **Do not use Roller Stand to support people or animals.**
11. **Stay alert.** Watch what you are doing, use common sense. Do not operate any tool when you are tired.
12. **Take caution as some woods contain preservatives such as copper chromium arsenate (CCA) which can be toxic.** When cutting these materials care should be taken to avoid inhalation and minimize skin contact.
13. **Check for damaged parts.** Before using any tool, any part that appears damaged should be carefully checked to determine that it will operate properly and perform its intended function. Any part that is damaged should be properly repaired or replaced by a qualified technician.
14. **Replacement parts and accessories.** When servicing, use only identical replacement parts. Use of any other parts will void the warranty.
15. **Do not operate tool if under the influence of alcohol or drugs.** Read warning labels on prescriptions to determine if your judgment or reflexes are impaired while taking drugs. If there is any doubt, do not operate the tool.
16. **Maintenance.** For your safety, periodically check hardware for tightness.
17. **Do not exceed the Roller Stand's maximum weight capacity of 132 lbs.**
18. **Only use the Roller Stand on a flat and level surface capable of supporting the weight of the Stand and the weight the workpiece.**

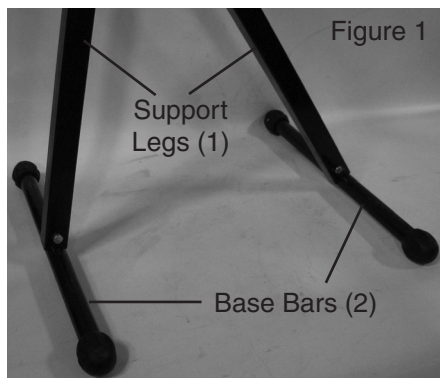
Warning: The warnings, cautions, and instructions discussed in this instruction manual cannot cover all possible conditions and situations that may occur. It must be understood by the operator that common sense and caution are factors which cannot be built into this product, but must be supplied by the operator.

Unpacking

When unpacking, check to make sure all parts listed on Page 6 are included. If any parts are missing or broken, please call Harbor Freight Tools at the number on the cover of this manual.

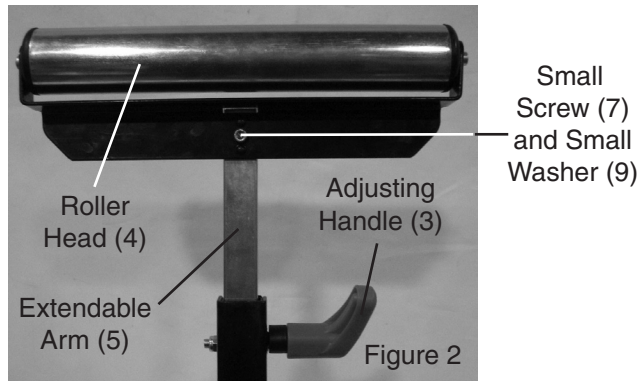
Assembly

1. Use a wrench (not included) to fasten each Base Bar (2) to each Support Leg (1). Do this by inserting the Cylinder Nut (12) into the hole at the bottom of each Leg. Make sure the hole in Cylinder Nut (12) faces up. Place the Base Bar (hole facing up) onto the Support Leg (1). Fasten the Small Screw (7) through the hole in the Support Leg (1) so that it fastens to the Cylinder Nut, locking the Base Bar (2) to the Leg (1). Do this for both Support Legs. See Figure 1.



2. Fasten the two Support Legs (1) together. Do this by leaning the long Support Leg (1) against the short Leg that has the frame at the top. Put a Large Screw (6) through a Large Washer (8) and insert both through holes at the top of the large Leg and through the holes on the outer part of the short Leg's frame. Fasten with another Large Washer (8) and a Large Nut (10).
3. Slide the Extendable Arm (5) into the top opening of the short Support Leg (1). Please note, make sure the holes at the top of the Extendable Arm (5) are at the top and face the front and back of the stand. If the holes face the sides of the stand, you will not be able to lock the Extendable Arm in place. See Figure 2.
4. Fasten the Adjustable Handle (3) to the frame at the top of the shorter Support Leg (1). See Figure 2. Please note: Make sure the longer Support Leg (1) is extended from the Stand so that it is level with the other Support Leg, making the Roller Stand is balanced.

- Slide a Small Screw (7) through a Small Washer (9) and use them to fasten the Roller Head (4) to the top of the Extendable Arm. Tighten with a Small Nut. (11). Make sure the Screw fits all the way through the Arm and that the Roller Head (4) is fastened tight. See Figure 2.



Operation

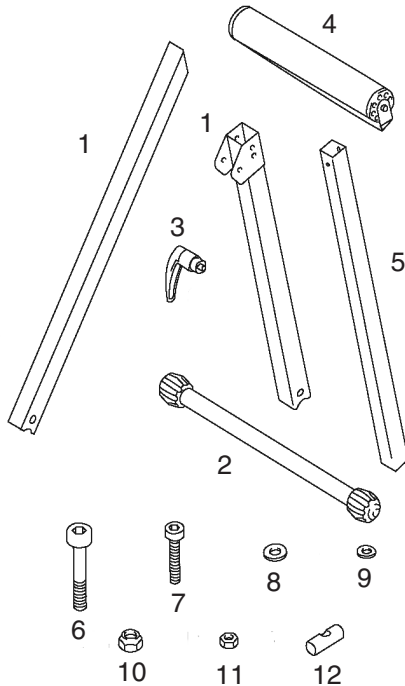
- Before use, be sure the Roller Stand is situated on a flat, level surface, capable of supporting the weight of the Stand plus the weight of your work piece.
- You can adjust the height of your Roller Stand from 26-3/4" to 42-3/4" H. To do so, loosen the Adjusting Handle (3) by turning it. Raise or lower the Extension Arm (5) to the desired height.
- Tighten the Adjustable Handle (3) again. **Please note:** Be sure the Handle is fully tightened before using the Stand.
- Place the Roller Stand in the desired location in the work area. Make sure the Stand is set at the appropriate height for the task at hand. Also, always ensure that the workpiece supported by the Stand is stable and level.

Maintenance

- Periodically check Roller Head (4) and all hardware for tightness.
- Periodically clean the Roller Stand with warm water and a soft cloth.

Parts List and Diagram

Part	Description	Q'ty	Part	Description	Q'ty
1	Support Legs	2	7	Small Screw	3
2	Base Bars	2	8	Large Washer	2
3	Adjusting Handle	1	9	Small Washer	2
4	Roller Head	1	10	Large Nut	1
5	Extendable Arm	1	11	Small Nut	1
6	Large Screw	1	12	Cylinder Nut	4



THE MANUFACTURER AND/OR DISTRIBUTOR HAS PROVIDED THE PARTS LIST AND ASSEMBLY DIAGRAM IN THIS MANUAL AS A REFERENCE TOOL ONLY. NEITHER THE MANUFACTURER OR DISTRIBUTOR MAKES ANY REPRESENTATION OR WARRANTY OF ANY KIND TO THE BUYER THAT HE OR SHE IS QUALIFIED TO MAKE ANY REPAIRS TO THE PRODUCT, OR THAT HE OR SHE IS QUALIFIED TO REPLACE ANY PARTS OF THE PRODUCT. IN FACT, THE MANUFACTURER AND/OR DISTRIBUTOR EXPRESSLY STATES THAT ALL REPAIRS AND PARTS REPLACEMENTS SHOULD BE UNDERTAKEN BY CERTIFIED AND LICENSED TECHNICIANS, AND NOT BY THE BUYER. THE BUYER ASSUMES ALL RISK AND LIABILITY ARISING OUT OF HIS OR HER REPAIRS TO THE ORIGINAL PRODUCT OR REPLACEMENT PARTS THERETO, OR ARISING OUT OF HIS OR HER INSTALLATION OF REPLACEMENT PARTS THERETO.

NOTE: Some parts are listed and shown for illustration purposes only and are not available individually as replacement parts.

Free Manuals Download Website

<http://myh66.com>

<http://usermanuals.us>

<http://www.somanuals.com>

<http://www.4manuals.cc>

<http://www.manual-lib.com>

<http://www.404manual.com>

<http://www.luxmanual.com>

<http://aubethermostatmanual.com>

Golf course search by state

<http://golfingnear.com>

Email search by domain

<http://emailbydomain.com>

Auto manuals search

<http://auto.somanuals.com>

TV manuals search

<http://tv.somanuals.com>