



# U.S. GENERAL

## MINIATURE ALUMINUM JACK STANDS (1 PAIR)

Model 90892

### ASSEMBLY and OPERATING INSTRUCTIONS



3491 Mission Oaks Blvd., Camarillo, CA 93011  
Visit our Web site at <http://www.harborfreight.com>

Copyright © 2003 by Harbor Freight Tools®. All rights reserved. No portion of this manual or any artwork contained herein may be reproduced in any shape or form without the express written consent of Harbor Freight Tools.

**For technical questions and replacement parts, please call 1-800-444-3353**

## SPECIFICATIONS

Weight Capacity	110 Lbs. (dead weight)*
Height	Minimum: 2-7/8"; Maximum: 4-1/8"
Base Dimensions	1-3/4" x 1-15/16"
Weight	.05 Lb./ea.

\*Evenly distributed over two Jack Stands.

**These Jack Stands are designed primarily as a display item, however the Stands do have limited functional use. If using to support an object, the user must adhere to all safety warnings and precautions shown below. Only use Jack Stands in pairs; never attempt to support an object using only one Jack Stand.**

## Save This Manual

You will need the manual for the safety warnings and precautions, operating and maintenance procedures, parts list and diagram. Keep your invoice with this manual. Write the invoice number on the inside of the front cover. Keep the manual and invoice in a safe and dry place for future reference.

## Safety Warnings and Precautions

**WARNING: When using these stands, basic safety precautions should always be followed to reduce the risk of personal injury and damage to equipment.**

**Read all instructions before using these stands!**

1. **Keep work area clean.** Cluttered areas invite injuries.
2. **Observe work area conditions.** Do not use machines or tools in damp or wet locations. Don't expose to rain. Keep work area well lighted.
3. **Keep children away.** Children must never be allowed in the work area. Do not let them handle or play with the Jack Stands.
4. **Store idle equipment.** When not in use, tools must be stored in a dry location to inhibit rust. Always lock up tools and keep out of reach of children.
5. **Use the right tool for the job.** Do not attempt to force a small tool or attachment to do the work of a larger industrial tool. There are certain applications for which these tools were designed. They will do the job better and more safely at the rate for which they was intended. Do not modify these stands and do not use them for a purpose for which they are not intended.
6. **Dress properly.** Do not wear loose clothing or jewelry as they can be caught in moving parts. Protective, electrically nonconductive clothes and non-skid footwear are recommended when working. Wear restrictive hair covering to contain long hair.
7. **Use eye protection.** Always wear ANSI approved impact safety goggles.
8. **Do not overreach.** Keep proper footing and balance at all times. Do not reach over or across these Jack Stands while they are being used.

9. **Maintain tools with care.** Keep tools clean for better and safer performance. Follow instructions for lubricating and changing accessories. Inspect tool periodically, and if damaged, have it repaired by an authorized technician.
10. **Stay alert.** Watch what you are doing, use common sense. Do not operate any tool when you are tired.
11. **Check for damaged parts.** Before using any tool, any part that appears damaged should be carefully checked to determine that it will operate properly and perform its intended function. Check for alignment and binding of moving parts; any broken parts or mounting fixtures; and any other condition that may affect proper operation. Any part that is damaged should be properly repaired or replaced by a qualified technician. Do not use these Jack Stands if either the Handle (6), or the Ratchet Bar (2) are not moving and locking in place properly.
12. **Guard against electric shock.** Prevent body contact with grounded surfaces such as pipes, radiators, ranges, and refrigerator enclosures.
13. **Replacement parts and accessories.** When servicing, use only identical replacement parts. Use of any other parts will void the warranty. Only use accessories intended for use with these tools. Approved accessories are available from Harbor Freight Tools.
14. **Do not operate tool if under the influence of alcohol or drugs.** Read warning labels on prescriptions to determine if your judgment or reflexes are impaired while taking drugs. If there is any doubt, do not operate the tool.
15. **Maintenance.** For your safety, maintenance should be performed regularly by a qualified technician.
16. **Jack Stands' capacity.** Never exceed the Jack Stands' **combined** capacity of **110 Lbs.** This capacity is with the weight evenly distributed across both Jack Stands. Check the owner's manual of the item to be supported to determine the actual gross weight of the item before attempting to support it. **These small Jack Stands have a limited weight capacity; never attempt to use these Jack Stands for a purpose for which they are not designed for. Always center the load evenly across both stands.**
17. **Never stand on the Jack Stands.** Never stand on the Jack Stands, and never attempt to support people or pets.

**Warning!!** Stand clear of the Jack Stands when they are being removed or put into position.

**Caution: Always be aware of Dynamic Loading. If you drop a weight on the Ratchet Bar (2) it may create for a brief instant, an excess load, which could result in damage to the Jack Stands, tipping over of the Jack Stands, and/or personal injury.**

**The warnings, cautions, and instructions discussed in this instruction manual cannot cover all possible conditions and situations that may occur. It must be understood by the operator that common sense and caution are factors which cannot be built into this product, but must be supplied by the operator.**

## Unpacking

When unpacking, check to make sure that all of the Jacks' parts are included. If any parts are missing or broken, please call Harbor Freight Tools at the number on the cover of this manual.



## Operation

### Operational Warnings

**Warning!!** Only operate the Jack Stands on a level, flat, hard surface capable of supporting the weight of the Jack Stands and the object to be supported. Use of an uneven or weak surface can cause damage to the floor, or cause the supported object to become unstable and potentially fall, causing serious damage or injury.

**Warning!!** Consult the instruction manual for the object to be supported, to determine the advised support points. Only use the advised support points when using these Jack Stands. Supporting in other areas can cause damage to the supported object and cause the object to fall.

**Warning!!** Never work under the supported object unless the Jack Stands are supporting the object securely.

**Warning!!** If the object supported has wheels, the wheels remaining on the ground should be blocked.

**Warning!!** When raising or lowering the object, make sure no people are in the immediate area.

**Warning!!** Never exceed the Jack Stands' maximum capacity of 110 Lbs. (evenly distributed over 2 Jack Stands).

#### **NOTE: FOR LIMITED SUPPORT ONLY.**

**These Jack Stands are designed primarily as a display item. However, the Jack Stands do also have limited functional use. If using them to support an object, the user must adhere to all safety warnings and precautions shown in this instruction manual.**

### Supporting an Object.

**Note:** When placing and removing the Jack Stands be careful to keep your body and any other objects out from under any part of the object.

1. After the object is lifted by a proper lifting device such as a jack (not included), carefully position one Jack Stand so that the saddle on top of the Ratchet Bar (2) is at one of the recommended supporting points. Lift the Ratchet Bar (2) until the saddle is as close as possible to the supporting point. Verify that the Handle (6) drops into place and the Stopper (3) rests in one of the grooves in the Ratchet Bar (2).
2. Repeat for the other Stand, being certain that the Jack Stands are spaced far enough apart for the object to be stable and the weight distributed evenly. If the object cannot be supported properly under just two Stands, additional stands or a different type of supporting device will be necessary.
3. Once the object is safely positioned over the Jack Stands, use the jack or other lifting device to slowly lower the object onto the stands. Before putting any body part, or any other object under the supported item, or removing the lifting device, verify that the object is secure on the stands. When you are satisfied that the object is safely supported by the Jack Stands, carefully remove the lifting device.

### Removing Supports.

1. First, clear any tools or equipment from under the supported object. Make sure there are no obstructions and that people are at a safe distance from the supported object.

**Note:** Position yourself safely so that you are not under any part of the supported object before removing the Jack Stands.

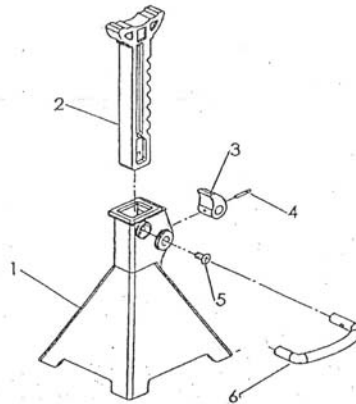
2. Lift the object slightly off the stands using a jack or other lifting device. Lift the Handle (6) on the first stand. The Ratchet Bar (2) will lower, allowing you to remove the Stand. Remove the first Stand. Repeat for the second.
3. Use the jack, or other lifting device to carefully lower the object to the ground.



## General Maintenance

1. Keep the Jack Stands clean and dry.
2. Periodically lubricate the Handle (6) on each Jack Stand where it connects to the Base (1), near the Stopper (3).
3. Inspect the stands before each use, verifying that they are undamaged, have all hardware securely in place, and that they will perform properly. Never use a Jack Stand that is damaged.

## Assembly Drawing



### PARTS LIST

NO.	DESCRIPTION	QTY
1	Base	1
2	Ratchet Bar	1
3	Stopper	1
4	Pin 1.5×8	1
5	Screw M3×5	1
6	Handle	1

Quantities shown are for one Jack Stand

### PLEASE READ THE FOLLOWING CAREFULLY

THE MANUFACTURER AND/OR DISTRIBUTOR HAS PROVIDED THE PARTS DIAGRAM IN THIS MANUAL AS A REFERENCE TOOL ONLY. NEITHER THE MANUFACTURER NOR DISTRIBUTOR MAKES ANY REPRESENTATION OR WARRANTY OF ANY KIND TO THE BUYER THAT HE OR SHE IS QUALIFIED TO MAKE ANY REPAIRS TO THE PRODUCT OR THAT HE OR SHE IS QUALIFIED TO REPLACE ANY PARTS OF THE PRODUCT. IN FACT, THE MANUFACTURER AND/OR DISTRIBUTOR EXPRESSLY STATES THAT ALL REPAIRS AND PARTS REPLACEMENTS SHOULD BE UNDERTAKEN BY CERTIFIED AND LICENSED TECHNICIANS AND NOT BY THE BUYER. THE BUYER ASSUMES ALL RISK AND LIABILITY ARISING OUT OF HIS OR HER REPAIRS TO THE ORIGINAL PRODUCT OR REPLACEMENT PARTS THERETO, OR ARISING OUT OF HIS OR HER INSTALLATION OF REPLACEMENT PARTS

**NOTE:** Some parts are listed and shown for illustration purposes only and are not available individually as replacement parts.

## Free Manuals Download Website

<http://myh66.com>

<http://usermanuals.us>

<http://www.somanuals.com>

<http://www.4manuals.cc>

<http://www.manual-lib.com>

<http://www.404manual.com>

<http://www.luxmanual.com>

<http://aubethermostatmanual.com>

Golf course search by state

<http://golfingnear.com>

Email search by domain

<http://emailbydomain.com>

Auto manuals search

<http://auto.somanuals.com>

TV manuals search

<http://tv.somanuals.com>