

AIR FILTER, REGULATOR AND LUBRICATOR

Model 40312

ASSEMBLY AND OPERATING INSTRUCTIONS



3491 Mission Oaks Blvd., Camarillo, CA 93011

Visit our Web site at <http://www.harborfreight.com>

Copyright © 2000 by Harbor Freight Tools. All rights reserved. No portion of this manual or any artwork contained herein may be reproduced in any shape or form without the express written consent of Harbor Freight Tools.

For technical questions and replacement parts, please call 1-800-444-3353

Specifications

Maximum Pressure	150 PSI
Air Inlet Size	3/8 inch
Mount Dimensions	2-1/2 inches, center to center, elongated holes
Features	Adjustable Pressure with Gauge Adjustable Lubrication Metal bowl covers
Weight	4.5 lb.

Save This Manual

You will need the manual for the safety warnings and precautions, assembly instructions, operating and maintenance procedures, parts list and diagram. Keep your invoice with this manual. Write the invoice number on the inside of the front cover. Keep the manual and invoice in a safe and dry place for future reference.

Safety Warnings and Precautions

WARNING: When using tool, basic safety precautions should always be followed to reduce the risk of personal injury and damage to equipment.

Read all instructions before using this tool!

1. **Keep work area clean.** Cluttered areas invite injuries.
2. **Observe work area conditions.** Do not use machines or power tools in damp or wet locations. Don't expose to rain. Keep work area well lighted. Do not use electrically powered tools in the presence of flammable gases or liquids.
3. **Keep children away.** Children must never be allowed in the work area. Do not let them handle machines, tools, or extension cords.
4. **Store idle equipment.** When not in use, tools must be stored in a dry location to inhibit rust. Always lock up tools and keep out of reach of children.
5. **Do not force tool.** It will do the job better and more safely at the rate for which it was intended. Do not use inappropriate attachments in an attempt to exceed the tool capacity.
6. **Do not overreach.** Keep proper footing and balance at all times. Do not reach over or across running machines.
7. **Use the right tool for the job.** Do not attempt to force a small tool or attachment to do the work of a larger industrial tool. There are certain

applications for which this tool was designed. Do not modify this tool and do not use this tool for a purpose for which it was not intended.

8. **Use eye and ear protection.** Always wear ANSI approved impact safety goggles. Wear a full face shield if you are producing metal filings or wood chips. Wear an ANSI approved dust mask or respirator when working around metal, wood, and chemical dusts and mists.
9. **Maintain tools with care.** Keep tools sharp and clean for better and safer performance. Follow instructions for lubricating and changing accessories. Inspect tool cords periodically and, if damaged, have them repaired by an authorized technician.
10. **Stay alert.** Watch what you are doing, use common sense. Do not operate any tool when you are tired.
11. **Check for damaged parts.** Before using any tool, any part that appears damaged should be carefully checked to determine that it will operate properly and perform its intended function. Check for alignment and binding of moving parts; any broken parts or mounting fixtures; and any other condition that may affect proper operation. Any part that is damaged should be properly repaired or replaced by a qualified technician.
12. **Replacement parts and accessories.** When servicing, use only identical replacement parts. Use of any other parts will void the warranty. Only use accessories intended for use with this tool.
13. **Do not operate tool if under the influence of alcohol or drugs.** Read warning labels on prescriptions to determine if your judgment or reflexes are impaired while taking drugs. If there is any doubt, do not operate the tool.
14. **Maintenance.** For your safety, service and maintenance should be performed regularly by a qualified technician.
15. **WARNING!** The brass components of this product contain lead, a chemical known to the State of California to cause birth defects (or other reproductive harm). (California Health & Safety code § 25249.5, *et seq.*)

Caution: Do not remove Part #A1 Visi-Dome from the lubricator. Attempting to do so may damage the seal and thread.

Warning: The warnings, cautions, and instructions discussed in this instruction manual cannot cover all possible conditions and situations that may occur. It must be understood by the operator that common sense and caution are factors which cannot be built into this product, but must be supplied by the operator.

Unpacking

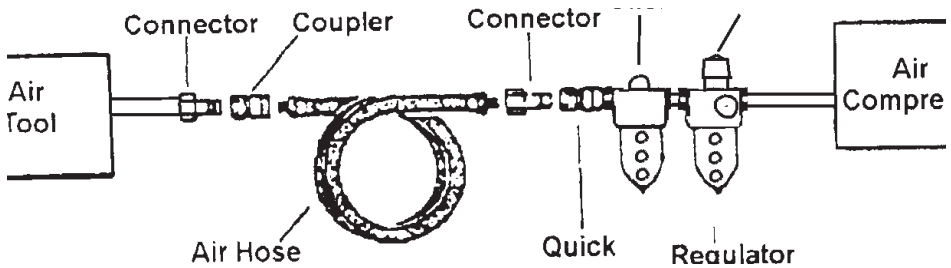
When unpacking, check to make sure the following parts are included.

- 1) Air Filter / Regulator
- 2) Lubricator
- 3) Double-sided Fitting

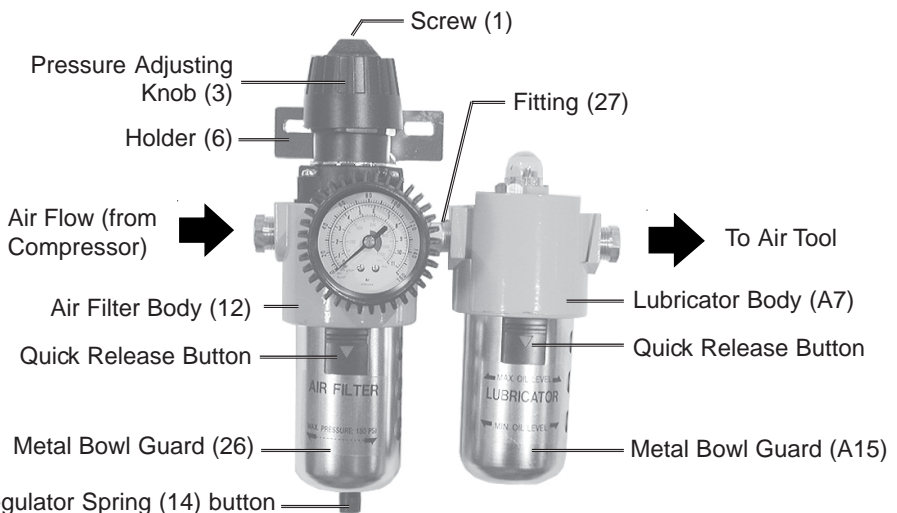
If any parts are missing or broken, please call Harbor Freight Tools at the number on the cover of this manual.

Installation

The diagram below shows the general connections for the Air Filter-Regulator and Lubricator.



1. Find the 1/4 inch, double-sided Fitting (27) and apply brass fitting compound to both sides.
2. Hand screw the Fitting into the Air Filter Body (12), right input side.
3. Take the Lubricator Body (A7) and align its output connection to the Fitting and hand screw the Fitting a few turns into the Lubricator Body.



4. Turn the Lubricator Body clockwise, tightening the Fitting to the Air Filter Body (12) and the Lubricator Body (A7).

Note that the arrows imprinted on top of each body should be pointing all in the same direction.

5. Align both bodies so that their bowls are facing down.
6. Attach the mounting support Holder (6) to the Air Filter if the assembly is to be mounted to a flat surface (Refer to the Assembly Drawings at the end of this manual).
 - Remove Screw (1) and pull up and remove the Adjusting Knob (3).
 - Remove the Panel Mount Nut (4) by turning it counterclockwise.
 - Insert the Holder (6) and replace the Panel Mount Nut, the Adjusting Knob, and finally, the screw.
7. Secure the whole assembly by the Holder to a flat surface using the appropriate hardware (not supplied).
8. Connect the compressor air output hose or pipe to the air inlet connector on the Lubricator Body.
9. Connect the air output hose or pipe to the Air Filter output connector.
10. Press on the Lubricator Quick Release Button and pull off the Metal Bowl Guard (A15).
11. Twist off the Plastic Bowl (A14) and add air lubricator oil to the maximum level.
12. Press up on the Plastic Bowl to replace it.
13. Snap in the Metal Bowl Guard.

Operation

1. Turn on the Compressor and check for air leaks.

If any are found, turn the Compressor off and fix the leak.
2. With the Compressor ON, turn the Pressure Adjusting Knob (3) to adjust the air pressure as read on the Gauge (13).
3. Adjust the oil flow by viewing the Visi-dome (1A) and adjusting the Oil Feed Adjustment Screw (A3).
4. Press on the Regulator Spring (14) button to expel any accumulated moisture from the Plastic Bowl (23). Do this daily.

Maintenance

1. Check oil level in Lubricator Plastic Bowl daily. Refill if below minimum level.
2. Press on the Regulator Spring (14) button to expel any accumulated moisture in the Plastic Bowl (23).

Air Filter Parts List

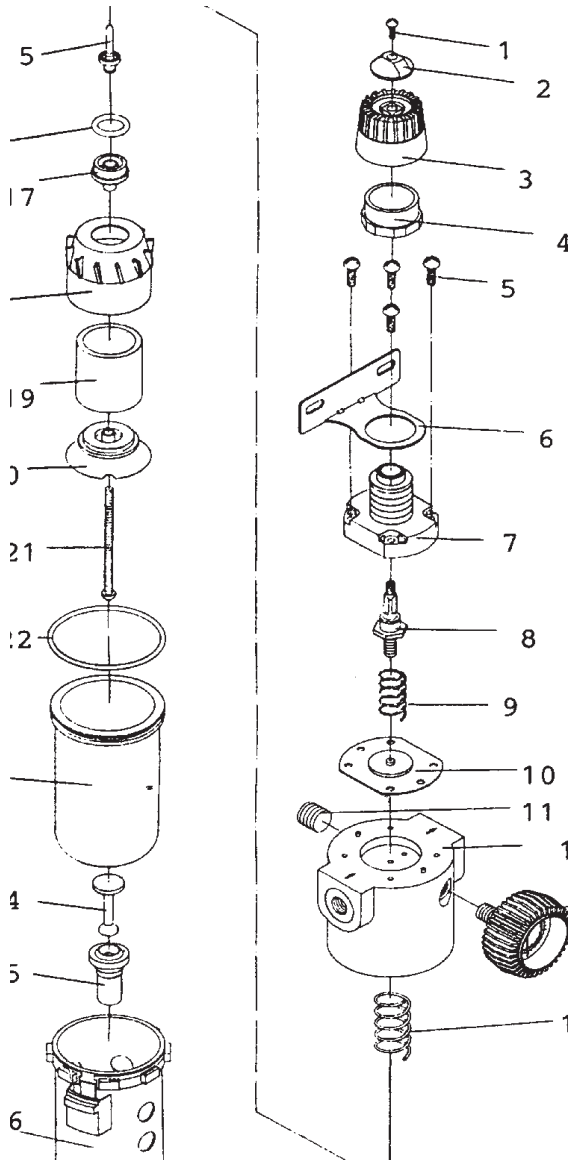
Item #	Description
1	Screw
2	Lock Knob
3	Adjusting Knob
4	Panel Mount Nut
5	Screw
6	Holder
7	Bonnet
8	Adjusting Screw Assy
9	Regulator Spring
10	Diaphragm
11	Plug
12	Body
13	Gauge

Item #	Description
14	Regulator Spring
15	Valve Assembly
16	O-ring
17	Holder
18	Spirer Baffle
19	Filter Element
20	Umbrella Baffle
21	Screw Rod
22	O-ring
23	Plastic Bowl
24	Flex Drain Valve
25	Flex Drain Sleeve
26	Metal Bowl Guard
27	Fitting, 1/4", Double-sided

PLEASE READ THE FOLLOWING CAREFULLY

THE MANUFACTURER AND/OR DISTRIBUTOR HAS PROVIDED THE PARTS DIAGRAM IN THIS MANUAL AS A REFERENCE TOOL ONLY. NEITHER THE MANUFACTURER NOR DISTRIBUTOR MAKES ANY REPRESENTATION OR WARRANTY OF ANY KIND TO THE BUYER THAT HE OR SHE IS QUALIFIED TO MAKE ANY REPAIRS TO THE PRODUCT OR THAT HE OR SHE IS QUALIFIED TO REPLACE ANY PARTS OF THE PRODUCT. IN FACT, THE MANUFACTURER AND/OR DISTRIBUTOR EXPRESSLY STATES THAT ALL REPAIRS AND PARTS REPLACEMENTS SHOULD BE UNDERTAKEN BY CERTIFIED AND LICENSED TECHNICIANS AND NOT BY THE BUYER. THE BUYER ASSUMES ALL RISK AND LIABILITY ARISING OUT OF HIS OR HER REPAIRS TO THE ORIGINAL PRODUCT OR REPLACEMENT PARTS THERETO, OR ARISING OUT OF HIS OR HER INSTALLATION OF REPLACEMENT PARTS THERETO.

Air Filter Assembly Drawing

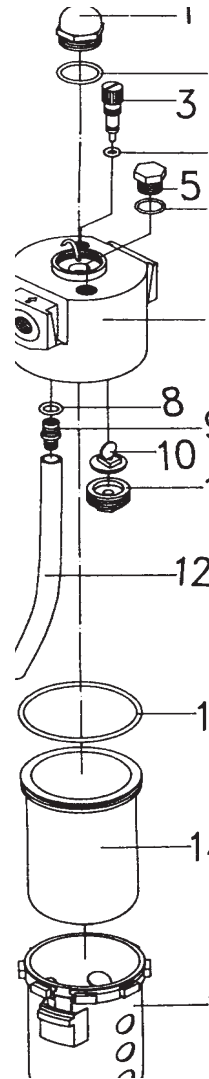


NOTE: Some parts are listed and shown for illustration purposes only and are not available individually as replacement parts.

Lubricator Parts List

Lubricator Assembly Drawing

Item #	Description
A1	Visi-dome
A2	O-ring
A3	Oil Feed Adjustment Screw
A4	O-ring
A5	Cap Nut
A6	O-ring
A7	Lubricator Body
A8	O-ring
A9	Adapter
A10	Guide Valve (gate)
A11	Screw Rod
A12	Hose
A13	O-ring
A14	Plastic Bowl
A15	Metal Bowl Guard



NOTE: Some parts are listed and shown for illustration purposes only and are not available individually as replacement parts.

When ordering parts from this list, add an "A" prefix to the part number illustrated in the Assembly Drawing.

Caution: Do not remove Part #A1 Visi-Dome from the lubricator. Attempting to do so may damage the seal and thread.

Free Manuals Download Website

<http://myh66.com>

<http://usermanuals.us>

<http://www.somanuals.com>

<http://www.4manuals.cc>

<http://www.manual-lib.com>

<http://www.404manual.com>

<http://www.luxmanual.com>

<http://aubethermostatmanual.com>

Golf course search by state

<http://golfingnear.com>

Email search by domain

<http://emailbydomain.com>

Auto manuals search

<http://auto.somanuals.com>

TV manuals search

<http://tv.somanuals.com>