

Trailer Jack

Model 37792

Assembly and Operating Instructions



3491 Mission Oaks Blvd., Camarillo, CA 93011

Copyright 1998 by Harbor Freight Tools®. All rights reserved. No portion of this manual or any artwork contained herein may be reproduced in any shape or form without the express written consent of Harbor Freight Tools.

For technical questions and replacement parts, please call 1-800-444-3353.

Important Safety Instructions

READ ALL INSTRUCTIONS AND WARNINGS BEFORE USING THIS PRODUCT.

COMMON SENSE AND CAUTION ARE FACTORS WHICH CANNOT BE BUILT INTO ANY PRODUCT. THESE FACTORS MUST BE SUPPLIED BY THE OPERATOR. PLEASE REMEMBER:

1. When using electric tools, machines or equipment, basic safety precautions should always be followed to reduce the risk of fire, electric shock, and personal injury.
2. Keep work area clean. Cluttered areas invite injuries.
3. Consider work area conditions. Do not use machines or power tools in damp, wet, or poorly lit locations. Do not expose equipment to rain. Keep work area well lit. Do not use tools in the presence of flammable gases or liquids.
4. Keep children away. All children should be kept away from the work area.
5. Guard against electric shock. Prevent body contact with grounded surfaces such as pipes, radiators, ranges, and refrigerator enclosures.
6. Stay alert. Never operate equipment if you are tired.
7. Do not operate the product if under the influence of alcohol or drugs. Read warning labels on prescriptions to determine if your judgment or reflexes might be impaired.
8. Do not wear loose clothing or jewelry as they can be caught in moving parts.
9. Wear restrictive hair covering to contain long hair.
10. Use eye and ear protection. Always wear:
 - ANSI approved chemical splash goggles when working with chemicals.
 - ANSI approved impact safety goggles at other times.

-ANSI approved dust mask or respirator when working around metal, wood, and chemical dusts and mists.

-A full face shield if you are producing metal or wood filings.

11. Keep proper footing and balance at all times.
12. Do not reach over or across running machines.
13. Always check that adjusting keys and wrenches are removed from the tool or machine work surface before plugging it in.
14. Do not carry any tool with your finger on either the start button or trigger.
15. When servicing, use only identical replacement parts.
16. Check for damaged parts. Before using any tool, any part that appears damaged should be carefully checked to determine that it will operate properly and perform its intended function.
17. Check for alignment and binding of all moving parts, broken parts or mounting fixtures and any other condition that may affect proper operation. Any part that is damaged should be properly repaired or replaced by a qualified technician.
18. Never force the tool or attachment to do the work of a larger industrial tool. It is designed to do the job better and more safely at the rate for which it was intended.

IF THERE IS ANY QUESTION ABOUT A CONDITION BEING SAFE OR UNSAFE, DO NOT OPERATE THE TOOL!

Thank you for choosing a Harbor Freight Tools product! For future reference please complete the owner's record below:

Model: _____ **Purchase Date:** _____

SAVE THE RECEIPT, WARRANTY AND THESE INSTRUCTIONS. IT IS IMPORTANT THAT YOU READ THE ENTIRE MANUAL TO BECOME FAMILIAR WITH THIS PRODUCT BEFORE YOU BEGIN ASSEMBLY.

Specifications

Purpose: Jack mounts to side of straight trailer tongue. Once connected to the trailer, the Trailer Jack makes hitching, unhitching, leveling, and moving the trailer a simple and safe procedure. The Trailer Jack can be used on heavy farm duty trailers as well as recreational boat trailers.

The Trailer Jack is designed for permanent or semi-permanent attachment to the trailer tongue, and can be available for use wherever the trailer goes.

Minimum Height:	8"
Maximum Height:	22 1/2"
Lifting Range:	14 1/2"
Capacity:	550 lbs. load (not including load supported by trailer wheels)

Designed with a heavy duty worm gear drive with built-in gear box. Includes a grease fitting for easy lubrication.

Unpacking

Carefully unpack the Trailer Jack and check all parts against the parts diagram and part number listing on pages 6. Do not discard any packing material until the Trailer Jack is fully assembled and operational. If any parts are missing or broken, please call Harbor Freight Tools at 1-800-444-3353

Assembly

The Trailer Jack requires some minor assembly. Please follow the steps outlined below:

1. Place the Caster Wheel (#5) into the Caster Bracket (#4). Insert the Axle Bolt (#9), and tighten with the Locking Nut (#10).
2. Install the wheel assembly shaft into the lower end of the Jack Shaft (#1). Screw in the Bolt (#12), making sure that the Bolt sets in the groove of the wheel assembly shaft.
3. Place the Crank Handle (#3) on the shaft of the Jack Shaft, and align the flat surface to the handle.

Assembly (continued)

Screw on the Locking Nut (#11) and tighten the nut securely.

4. Plan the location of the Trailer Jack. Examine both sides of the trailer tongue and choose the appropriate location for the jack, keeping in mind the mounting method, and the need to turn the Crank Handle. The Trailer Jack is designed to be mounted on either side of the trailer tongue, and pivot in either direction (caster wheel forward or to the rear).
5. Before installing the Trailer Jack, properly support the tongue of the trailer so that it is high enough off the ground to provide clearance for the jack. Take precautions to insure the trailer is blocked and will not roll.
6. Position the Trailer Tongue Assembly portion of the Trailer Jack on top of the tongue. Position the loose plate of the Trailer Tongue Assembly underneath the tongue. Insert bolts through the top plate and through to the bottom plate. Note the hole selections on the loose plate. Use the hole positions which will best support your trailer tongue design. Install lock washers and nuts. At this time tighten nuts only enough to hold the Trailer Jack in position for adjustment.
7. Inspect the position of the Trailer Jack. Check the squareness of the mount position, and tap lightly into alignment with a hammer and a wood block if necessary. Bolts should be at right angles to the mounting plates. There should be proper clearance of the trailer tongue from the Jack Shaft. Once determined that the Trailer Jack is properly positioned, tighten the nuts evenly, increasing pressure by small increments on alternate bolts so that the mounting plates remain parallel. Nuts should be more than tight enough to fully compress the washers, but not tight enough to damage the threads. Turn the Crank Handle both ways to make sure the Trailer Jack is functioning properly.
8. Before operating the Trailer Jack, lubricate the grease fitting on the side of the Trailer Tongue Assembly. Use a good quality gear grease. Lubricate periodically while the Trailer Jack is in use.

Read and understand carefully the warnings and cautions described below as they pertain to the operation of the Trailer Jack:

1. Be aware that the user/installer of this product is solely responsible for the way the Trailer Jack is installed, operated and maintained, and is responsible for any and all consequences that occur, whether or not anticipated in these warning statements.
2. Never exceed the rated load capacity of 550 lbs. for the jack.
3. Never loosen, adjust, or take apart the top and bottom plates of the Trailer Tongue Assembly while the Trailer Jack is supporting any weight.
4. Before each use, verify that the plates of the Trailer Tongue Assembly and the trailer tongue are securely attached, and that all bolts and nuts are tight and in good condition.
5. Always keep feet, arms, and legs out from under the trailer tongue while hitching, unhitching, or moving the trailer. Children should be kept at a safe distance, and should never be allowed to operate the Trailer Jack.
6. Always take precautions to prevent uncontrolled movement of the trailer when the Trailer Jack is being used. Be cautious of the slope of the road and be aware of the pull of gravity when using this product.

Operation

Unhitching:

To use the Trailer Jack as an aid in unhitching the trailer, first make sure that the Trailer Jack is securely attached to the trailer tongue. Check out bolt/nut connection to make sure the Trailer Tongue Assembly is properly connected to the trailer tongue.

Take the necessary precautions against uncontrolled trailer movement, and loosen the trailer hitching mechanism. Attach the Crank Handle, if it has been detached in prior use, and turn the handle clockwise to increase the length of the Trailer Jack until the tongue has been lifted from the hitch ball. Keep all body parts clear of the hitch, the tongue, and the area underneath the tongue.

Hitching:

To use the Trailer Jack as an aid in hitching the trailer, maneuver the trailer so that the trailer's hitch is directly over the towing vehicle's hitch ball. Turn the Crank Handle counterclockwise to shorten the Trailer Jack, and lower the tongue hitch onto the hitch ball. Tighten the hitch retainer mechanism. Continue turning the Crank Handle until the Trailer Jack is fully retracted.

It is recommended that the Crank Handle be detached in preparation for towing. Keep all body parts clear of the hitch, the tongue, and the area underneath.

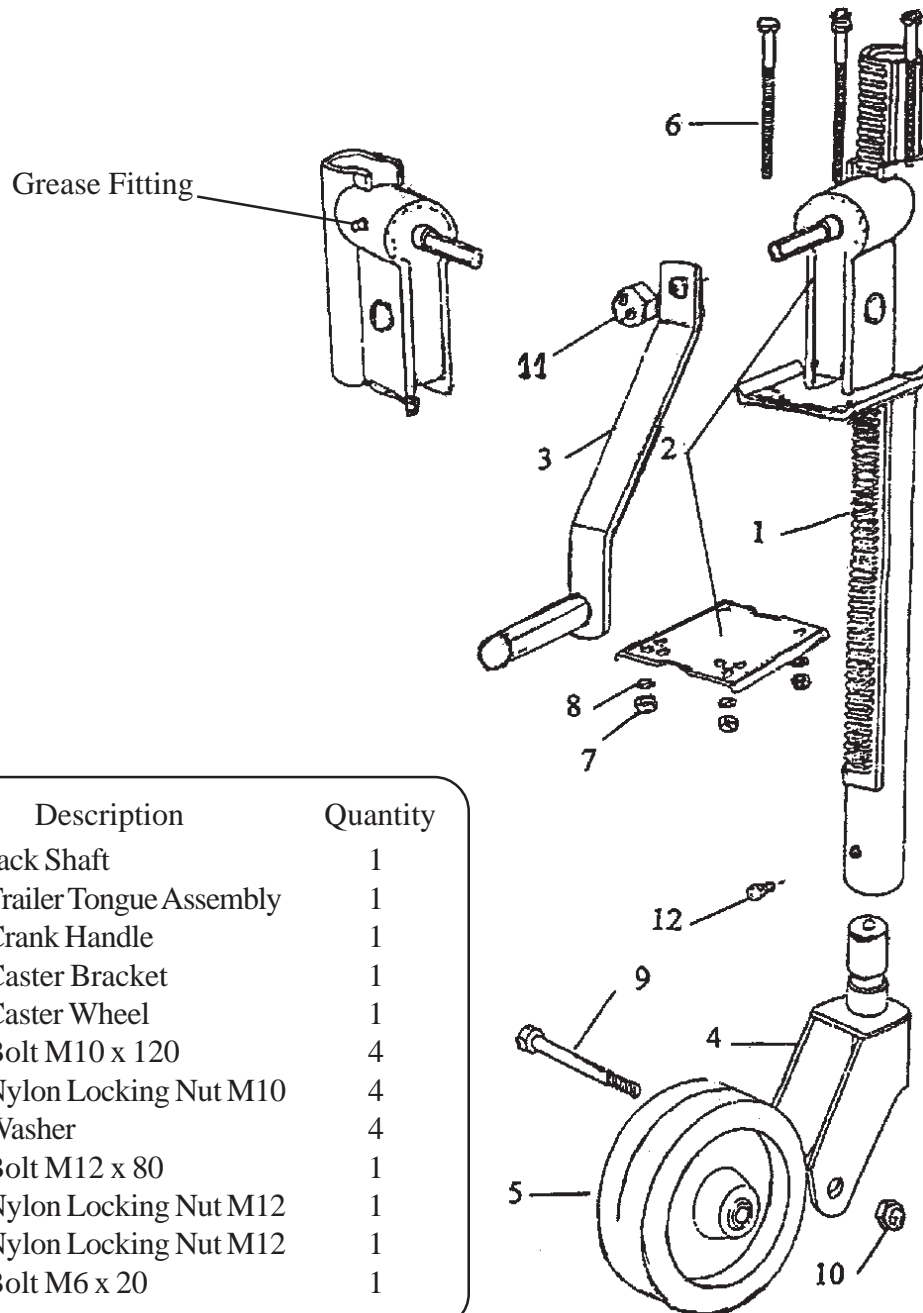
Leveling and Moving:

In the unhitched mode, the trailer can be leveled or adjusted in pitch angle by turning the Crank Handle in either clockwise or counterclockwise direction to lengthen or shorten the Trailer Jack. In this mode, the trailer is a three wheeled vehicle that can be moved from one position to another, but only with suitable precautions against uncontrolled movement. If the trailer is to be stored in this mode, it is advised that the Crank Handle be detached and that the trailer wheels be properly blocked.

Towing:

When the Trailer Jack is attached while the trailer is being towed, the Trailer Jack must be fully retracted (before towing begins, turn the Crank Handle counterclockwise until the Trailer Jack is fully retracted). The Crank Handle needs to be removed and stored in a safe place while the trailer is being towed.

Part Number Listing and Parts Diagram



Part #	Description	Quantity
1	Jack Shaft	1
2	Trailer Tongue Assembly	1
3	Crank Handle	1
4	Caster Bracket	1
5	Caster Wheel	1
6	Bolt M10 x 120	4
7	Nylon Locking Nut M10	4
8	Washer	4
9	Bolt M12 x 80	1
10	Nylon Locking Nut M12	1
11	Nylon Locking Nut M12	1
12	Bolt M6 x 20	1

Free Manuals Download Website

<http://myh66.com>

<http://usermanuals.us>

<http://www.somanuals.com>

<http://www.4manuals.cc>

<http://www.manual-lib.com>

<http://www.404manual.com>

<http://www.luxmanual.com>

<http://aubethermostatmanual.com>

Golf course search by state

<http://golfingnear.com>

Email search by domain

<http://emailbydomain.com>

Auto manuals search

<http://auto.somanuals.com>

TV manuals search

<http://tv.somanuals.com>