



TRAILER SWAY CONTROL KIT

Model 96462

SET-UP AND OPERATING INSTRUCTIONS



Diagrams within this manual may not be drawn proportionally.
Due to continuing improvements, actual product may differ slightly from the product described herein.

Distributed exclusively by Harbor Freight Tools®

3491 Mission Oaks Blvd., Camarillo, CA 93011

Visit our website at: <http://www.harborfreight.com>



**Read this material before using this product.
Failure to do so can result in serious injury.
SAVE THIS MANUAL.**

Copyright© 2007 by Harbor Freight Tools®. All rights reserved. No portion of this manual or any artwork contained herein may be reproduced in any shape or form without the express written consent of Harbor Freight Tools.

For technical questions or replacement parts, please call 1-800-444-3353.

SAVE THIS MANUAL

Keep this manual for the safety warnings and precautions, assembly, operating, inspection, maintenance and cleaning procedures. Write the product's serial number in the back of the manual near the assembly diagram (or month and year of purchase if product has no number). Keep this manual and the receipt in a safe and dry place for future reference.

IMPORTANT SAFETY INFORMATION

In this manual, on the labeling, and all other information provided with this product:



This is the safety alert symbol. It is used to alert you to potential personal injury hazards. Obey all safety messages that follow this symbol to avoid possible injury or death.

 **DANGER**

DANGER indicates a hazardous situation which, if not avoided, will result in death or serious injury.

 **WARNING**

WARNING indicates a hazardous situation which, if not avoided, could result in death or serious injury.

 **CAUTION**

CAUTION, used with the safety alert symbol, indicates a hazardous situation which, if not avoided, could result in minor or moderate injury.

NOTICE

NOTICE is used to address practices not related to personal injury.

CAUTION

CAUTION, without the safety alert symbol, is used to address practices not related to personal injury.

GENERAL SAFETY RULES



WARNING! Read all instructions.

Failure to follow all instructions listed below may result in serious injury.

SAVE THESE INSTRUCTIONS

1. **Work area safety**
 - a. Keep assembly area clean and well lit. Cluttered or dark areas invite accidents.
 - b. Keep children and bystanders away while using this product. Distractions can cause you to lose control.
2. **Personal safety**
 - a. Stay alert, watch what you are doing and use common sense when using this product. Do not use this product while you are tired or under the influence of drugs, alcohol or medication. A moment of inattention while using this product may result in serious personal injury.
 - b. Use safety equipment. Always wear eye protection. Safety equipment such non-skid safety shoes, hard hat, or heavy duty work gloves used for appropriate conditions will reduce personal injuries.
 - c. Do not overreach. Keep proper footing and balance at all times. This enables better control of this product in unexpected situations.
 - d. Dress properly. Do not wear loose clothing or jewellery. Keep your hair, clothing and gloves away from moving parts. Loose clothes, jewellery or long hair can be caught in moving parts.
3. **Product use and care**
 - a. Do not force this product. Use the correct product for your application. The correct product will do the job better and safer at the rate for which it was designed.
 - b. Store this product out of the reach of children and do not allow people unfamiliar with the product or these instructions to operate the product. This product could be dangerous in the hands of untrained users.
 - c. Maintain this product. Check for misalignment or binding of moving parts, breakage of parts and any other condition that may affect the product's operation. If damaged, have this product repaired before use. Many accidents are caused by poorly maintained equipment.
 - d. Use this product in accordance with these instructions and in the manner intended for this particular type of product, taking into account the working conditions and the work to be performed. Use of this product for operations different from those intended could result in a hazardous situation.

4. **Service**

- a. Have this product serviced by a qualified repair person using only identical replacement parts. This will ensure that the safety of the product is maintained.

SPECIFIC SAFETY RULES

1. This Trailer Sway Control Kit is designed for use **only** with Class III and Class IV hitches.
2. This Trailer Sway Control Kit is **NOT** for use on trailers with surge brakes.
3. Larger trailers may require the use of two Sway Controls.
4. Maintain labels and nameplates on the Trailer Sway Control Kit. These carry important safety information. If unreadable or missing, contact Harbor Freight Tools for a replacement.
5. Secure the Spring Clips (4) before operating.
6. Wear ANSI-approved safety goggles during installation and use.
7. Always inspect the Trailer Sway Control Kit before each use. Do not use this product if any parts are bent or damaged.
8. Be aware that the Sway Control may hit a vehicle's rear bumper or trailer coupler in an extreme jackknife position.
9. Only a certified, qualified welder should install this Trailer Sway Control Kit onto a trailer.
10. Trailers should be loaded with heavy items on the floor of the trailer and in front of the axle. The load should be balanced side to side. Tongue weight should be 10-15% of gross trailer weight for most trailers. Insufficient tongue weight or tail heavy trailers can cause sway. Sway increases with speed. If sway continues, stop the vehicle and inspect all equipment and trailer loading until the cause has been determined and corrected. Short wheel base vehicles may induce sway when towing a trailer.
11. The warnings, precautions, and instructions discussed in this instruction manual cannot cover all possible conditions and situations that may occur. It must be understood by the operator that common sense and caution are factors which cannot be built into this product, but must be supplied by the operator.



SAVE THESE INSTRUCTIONS.

SPECIFICATIONS

Sway Control Style	Dual Friction
Product Applications	For use with Class III & Class IV hitches May be installed on left or right side of trailer Not for use on trailers with surge brakes
Trailer Tongue Ball Plate Size	6-1/8" Long x 3" Wide x 0.2" Thick
Sway Control Size	20" Long x 2-1/2" Wide x 1-1/8" Thick
Construction	Carbon steel with black powder coat / chrome finish / zinc plated hardware & fasteners
Capacity	For GTW (Gross Trailer Weight) up to 6,000 lb.*
Net Weight	14.5 Pounds

*** GTW 6,000 to 10,000 lb. need 2 Sway Control Kits installed.**

The Trailer Sway Control Kit will fit the following trailers offered by Harbor Freight Tools*.	
Model 5002	BOAT TRAILER WITH 8" WHEELS AND TIRES
Model 94564	1740 LB. CAPACITY SUPER DUTY 48" X 96" UTILITY TRAILER
Model 93747	1500 LB. CAPACITY, 60" X 96" TRAILER
Model 42709	990 LB. CAPACITY FOLDABLE 48" X 96" UTILITY TRAILER
Model 42708	860 LB. CAPACITY 40" X 49" MINI UTILITY TRAILER
Model 90154	1175 LB. CAPACITY 48" X 96" FOLDABLE UTILITY TRAILER
Model 6464	1740 LB. CAPACITY SUPER DUTY 48" X 96" UTILITY TRAILER

***Installation requires professional welding.**

UNPACKING

When unpacking, check to make sure that the item is intact and undamaged. If any parts are missing or broken, please call Harbor Freight Tools at the number shown on the cover of this manual as soon as possible.

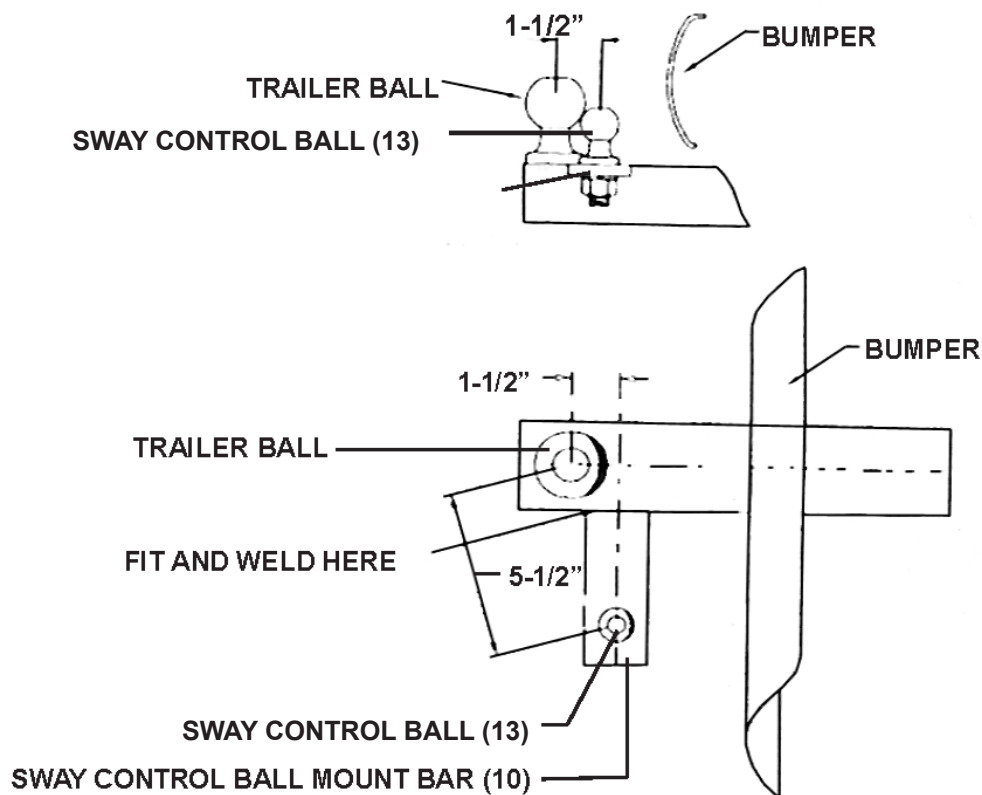
INSTALLATION



Read the ENTIRE IMPORTANT SAFETY INFORMATION section at the beginning of this manual, including all text under subheadings therein before set-up or use of this product.

WARNING! Only a certified, qualified welder should install this Trailer Sway Control Kit.

FIGURE A



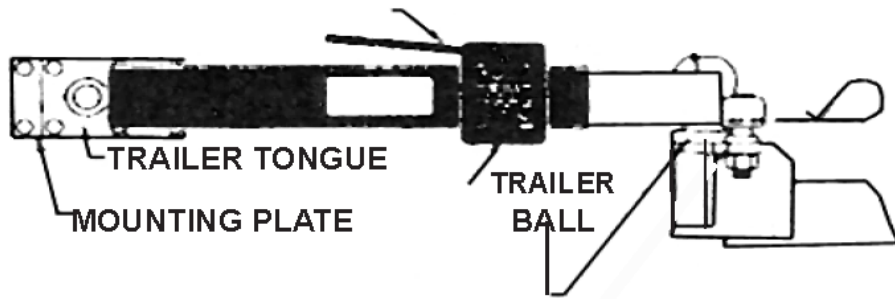
Note: Most weight distributing ball mounts come equipped with a sway control ball plate attached. If so, attach the Sway Control Ball (13) to the vehicle's ball mount using the hole provided. If no sway control ball hole is provided, weld the Sway Control Ball Mount Bar (10) to the vehicle's ball mount.

(See Figure A and Assy. Diagram Page 10)

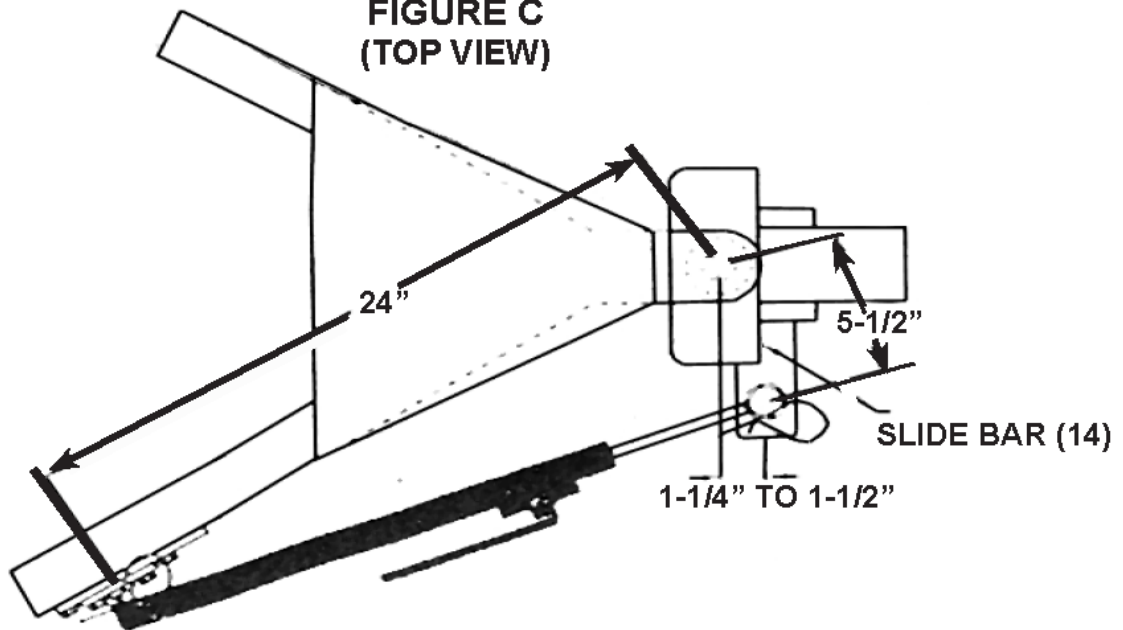
1. Measure 24" straight back from the center of the coupler to the *right hand side* of the trailer frame to determine the location of the Mounting Plate (1). The Trailer Tongue Ball (3) must be centered on the 24" measurement. **NOTE:** If installment on the *left side* of the trailer is desired, measure 24" straight back from the center of the coupler to the *left hand side* of the trailer frame to determine the location of the Mounting Plate (1). **(See Figure B and C on page 7, and Assy. Diagram)**
2. Use the mounting holes in the Mounting Plate (1) as a template with which to drill eight 11/32" diameter holes in the trailer frame.
 - a. If the marked holes cannot be drilled properly, then the Trailer Tongue Ball must be welded directly onto the side of the trailer.
 - b. Otherwise, attach the Mounting Plate (1) and Trailer Tongue Ball (3) to the trailer frame, using the eight self-tapping Screws (2) provided.

WARNING! Make sure all welds are strong and capable of holding the tension placed on them by the Sway Control unit before going on to the next step.

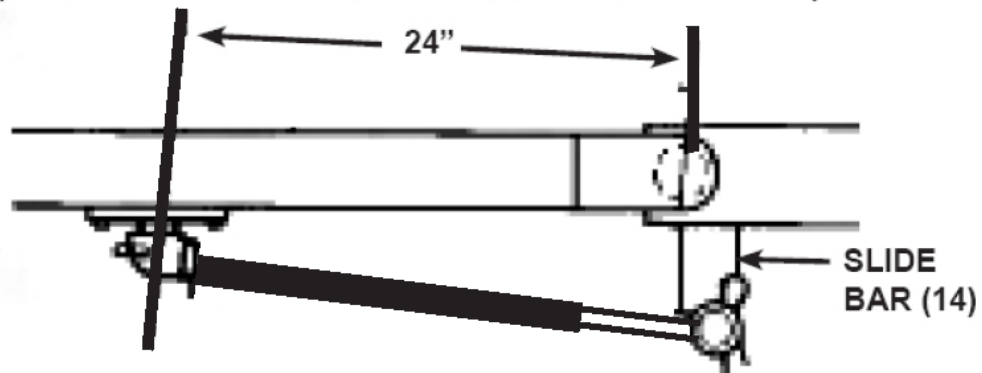
**FIGURE B
(SIDE VIEW)**

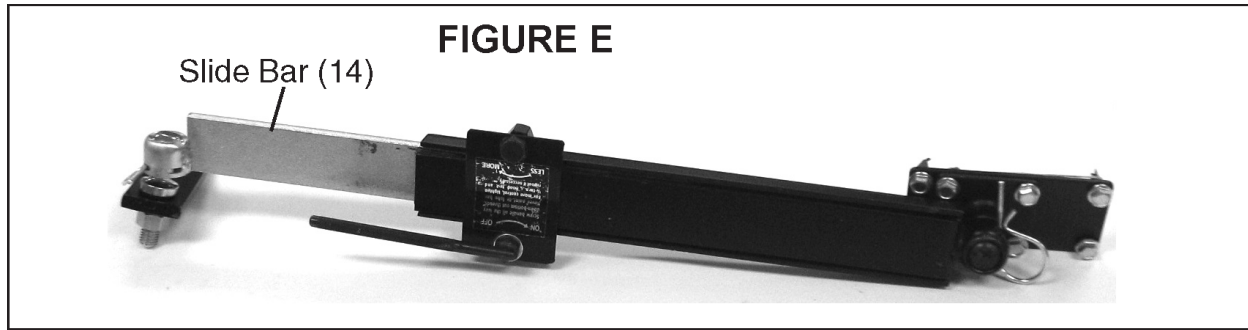


**FIGURE C
(TOP VIEW)**



**FIGURE D
(SINGLE POLE TONGUE INSTALLATION, TOP VIEW)**





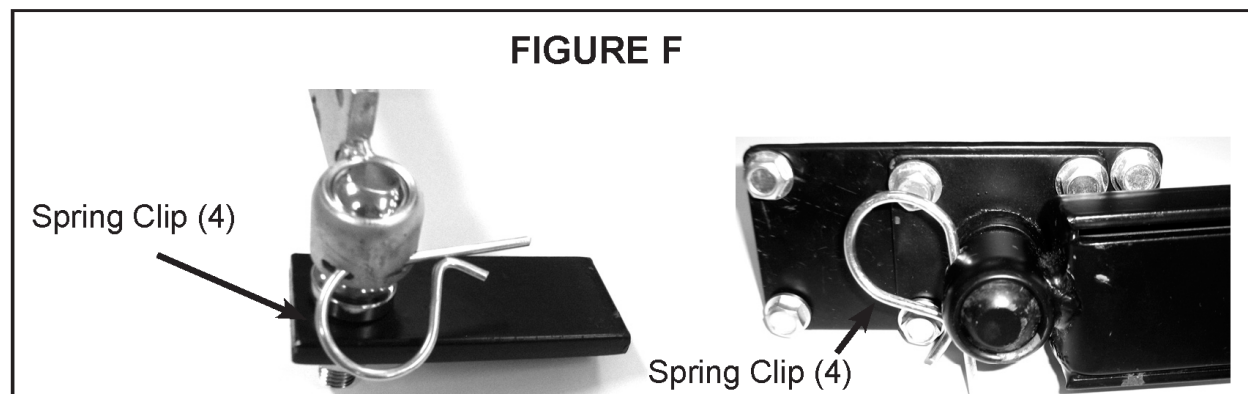
3. For left hand installation, remove the Slide Bar (14), and reinstall it upside down. (See photo above and Assy. Diagram.)

OPERATING INSTRUCTIONS



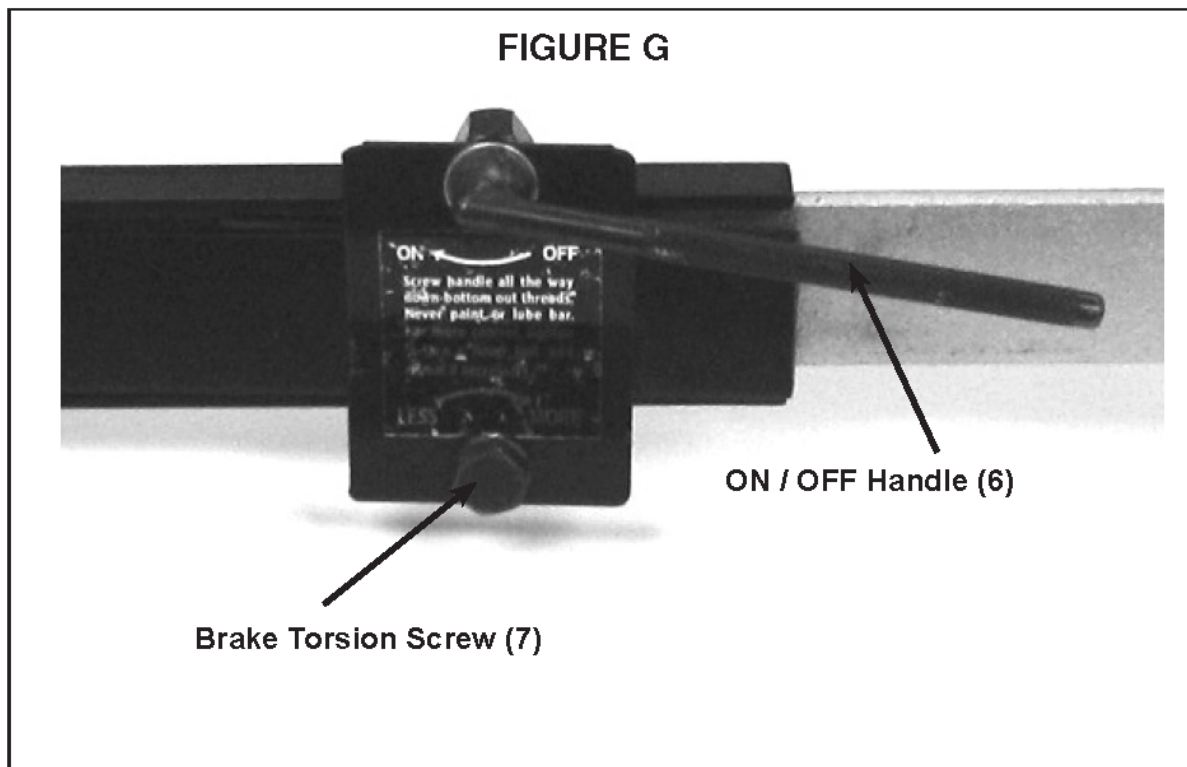
Read the **ENTIRE IMPORTANT SAFETY INFORMATION** section at the beginning of this manual, including all text under subheadings therein before set-up or use of this product.

1. Hook up the trailer to the tow vehicle. **CAUTION! Make sure to refer to your trailer and vehicle “Owner Manuals” for proper hook up instructions.**
2. Lubricate the threads of the ON/OFF Handle (6) with a drop of oil. **(See Assy. Diagram)**
3. Attach the Socket on the Slide Bar (14) to the Sway Control Ball (13) on the Sway Control Ball Mount Bar (10). Then secure in place, using a Spring Clip (4). **(See Assy. Diagram)**
4. Turn the ON/OFF Handle (6) **three** turns counterclockwise to release tension. **(See Assy. Diagram)**
5. Place the Socket on the Slide Bar (14) onto the Trailer Tongue Ball (3). Then secure in place, using a Spring Clip (4). **(See Figure F and Assy. Diagram)**



6. **WARNING!** Make sure that the Spring Clip (4) is closed and not bent open. The Spring Clip (4) will fall out if it does not have proper tension. **(See Figure F)**

7. Turn the ON/OFF Handle (6) clockwise. Tighten firmly until the Handle is parallel with the Inside Friction Plate (9). **(See Figure G below)**
8. With a second person watching the Sway Control unit and trailer, slowly back the trailer in both directions to a jackknife position and check that the Sway Control unit does not hit the bumper or trailer frame and that it does not become fully compressed or come apart. If any of these incidents occur when jackknifed, the Sway Control unit must be removed when backing up the trailer.
NOTE: Road and weather conditions, loading and design of trailer as well as power steering, wheel alignment, and the oscillation point of the tow vehicle and trailer all affect towing characteristics.



9. Starting with the factory preset tension, road test the Sway Control unit. If the preset tension is not enough sway control, adjust the Brake Torsional Screw (7) by turning it a $\frac{1}{4}$ turn clockwise. Road test the trailer again and repeat if necessary, until proper sway control is achieved. **(See Figure G)**
10. **IMPORTANT:** Larger or heavier or broad-sided trailers may require the use of *two* Sway Control units. One Sway Control Kit can be used for GTW up to 6,000 lb. Any GTW heavier than 6,000 lb. and less than 10,000 lb. will require two Sway Control Kits.
11. After a 1,000 mile break-in period, remove and clean the Slide Bar (14) using a wire brush or steel wool. Then lubricate and re-install the Slide Bar. The Slide Bar should then be cleaned every 10,000 miles. **(See Assy. Diagram)**

MAINTENANCE AND SERVICING

WARNING

Risk of serious personal injury. Keep hands, fingers, and body safely away from the Sway Control unit before performing any inspection or maintenance procedures.

Damaged equipment can fail, causing serious personal injury. Do not use damaged equipment. If abnormal noise or vibration occurs, have the problem corrected before further use.

Cleaning, maintenance, and lubrication

1. **BEFORE EACH USE**, inspect the general condition of the tool. Check for loose screws, misalignment or binding of moving parts, cracked or broken parts, and any other condition that may affect its safe operation.
2. **AFTER USE**, clean external surfaces of the Sway Control unit with a garden hose. Then dry and lubricate all moving parts. Do not use solvents.
3. **CAUTION!** All maintenance, service, and repairs not mentioned in this manual must only be performed by a qualified service technician.

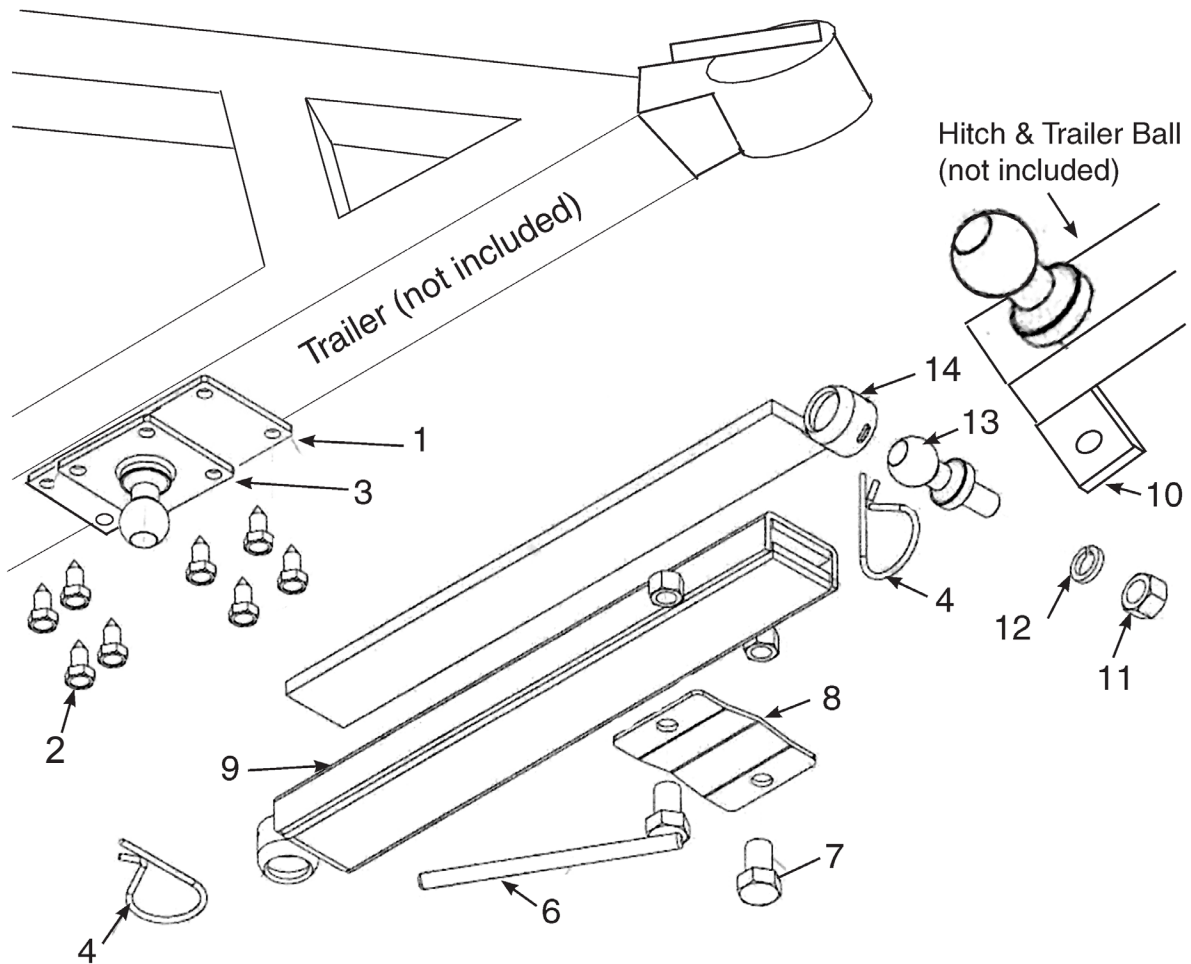
Troubleshooting

Problem	Possible Causes	Probable Solutions
Sway Control unit contacts trailer frame or tow vehicle bumper when backing up in a jackknife position.	Road and weather conditions, loading and design of trailer, power steering, wheel alignment, and other factors can affect towing characteristics.	Disconnect Sway Control unit from tow vehicle when backing up.
Not enough sway control.	Sway control tension insufficient.	Adjust Brake Torsional Screw 1/4 turn clockwise. Repeat if necessary until proper sway control is achieved. Larger or heavier or broad-sided trailers may require the use of two Sway Control units.

PARTS LIST & ASSEMBLY DIAGRAM

Part	Description	Q'ty
1	Mounting Plate	1
2	Screw	8
3	Trailer Tongue Ball	1
4	Spring Clip	2
6	Handle	1
7	Brake Torsional Screw	1
8	Plate	1

Part	Description	Q'ty
9	Inside Friction Plate	2
10	Sway Control Ball Mount Bar	1
11	Nut	1
12	Spring Lock Washer	1
13	Sway Control Ball	1
14	Slide Bar	1



LIMITED 90 DAY WARRANTY

Harbor Freight Tools Co. makes every effort to assure that its products meet high quality and durability standards, and warrants to the original purchaser that this product is free from defects in materials and workmanship for the period of 90 days from the date of purchase. This warranty does not apply to damage due directly or indirectly, to misuse, abuse, negligence or accidents, repairs or alterations outside our facilities, criminal activity, improper installation, normal wear and tear, or to lack of maintenance. We shall in no event be liable for death, injuries to persons or property, or for incidental, contingent, special or consequential damages arising from the use of our product. Some states do not allow the exclusion or limitation of incidental or consequential damages, so the above limitation of exclusion may not apply to you. THIS WARRANTY IS EXPRESSLY IN LIEU OF ALL OTHER WARRANTIES, EXPRESS OR IMPLIED, INCLUDING THE WARRANTIES OF MERCHANTABILITY AND FITNESS.

To take advantage of this warranty, the product or part must be returned to us with transportation charges prepaid. Proof of purchase date and an explanation of the complaint must accompany the merchandise. If our inspection verifies the defect, we will either repair or replace the product at our election or we may elect to refund the purchase price if we cannot readily and quickly provide you with a replacement. We will return repaired products at our expense, but if we determine there is no defect, or that the defect resulted from causes not within the scope of our warranty, then you must bear the cost of returning the product.

This warranty gives you specific legal rights and you may also have other rights which vary from state to state.

3491 Mission Oaks Blvd. • PO Box 6009 • Camarillo, CA 93011 • (800) 444-3353

Record Product's Serial Number Here: _____

Note: If product has no serial number, record month and year of purchase instead.

Note: Some parts are listed and shown for illustration purposes only, and are not available individually as replacement parts.

PLEASE READ THE FOLLOWING CAREFULLY

THE MANUFACTURER AND/OR DISTRIBUTOR HAS PROVIDED THE PARTS LIST AND ASSEMBLY DIAGRAM IN THIS MANUAL AS A REFERENCE TOOL ONLY. NEITHER THE MANUFACTURER OR DISTRIBUTOR MAKES ANY REPRESENTATION OR WARRANTY OF ANY KIND TO THE BUYER THAT HE OR SHE IS QUALIFIED TO MAKE ANY REPAIRS TO THE PRODUCT, OR THAT HE OR SHE IS QUALIFIED TO REPLACE ANY PARTS OF THE PRODUCT. IN FACT, THE MANUFACTURER AND/OR DISTRIBUTOR EXPRESSLY STATES THAT ALL REPAIRS AND PARTS REPLACEMENTS SHOULD BE UNDERTAKEN BY CERTIFIED AND LICENSED TECHNICIANS, AND NOT BY THE BUYER. THE BUYER ASSUMES ALL RISK AND LIABILITY ARISING OUT OF HIS OR HER REPAIRS TO THE ORIGINAL PRODUCT OR REPLACEMENT PARTS THERETO, OR ARISING OUT OF HIS OR HER INSTALLATION OF REPLACEMENT PARTS THERETO.

Free Manuals Download Website

<http://myh66.com>

<http://usermanuals.us>

<http://www.somanuals.com>

<http://www.4manuals.cc>

<http://www.manual-lib.com>

<http://www.404manual.com>

<http://www.luxmanual.com>

<http://aubethermostatmanual.com>

Golf course search by state

<http://golfingnear.com>

Email search by domain

<http://emailbydomain.com>

Auto manuals search

<http://auto.somanuals.com>

TV manuals search

<http://tv.somanuals.com>