

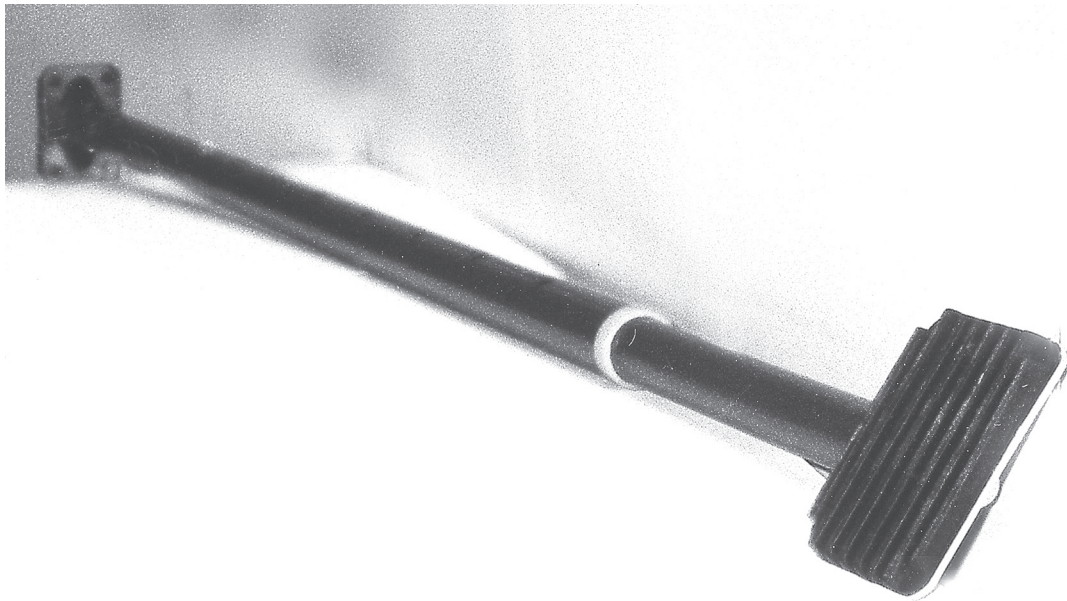
HAUL-MASTER



CARGO RETAINING BAR ADJUSTABLE

Model 43569

ASSEMBLY AND OPERATING INSTRUCTIONS



3491 Mission Oaks Blvd., Camarillo, CA 93011

Visit our Web site at <http://www.harborfreight.com>

Copyright © 2000 by Harbor Freight Tools®. All rights reserved. No portion of this manual or any artwork contained herein may be reproduced in any shape or form without the express written consent of Harbor Freight Tools.

For technical questions please call 1-800-444-3353

Revised Cover Page

SPECIFICATIONS (PER UNIT)

ITEM	DESCRIPTION
Construction	Mild Steel Tubes Formed Steel Stands Rubber Spacers
Finish	Bars: Blue Enamel Paint Stands: Chrome Plated Spacers: Black Rubber
Net Weight	4.85 Lbs.
Bar Diameter	1.105 O.D.
Stand Dimensions	2-1/4" W x 3-1/8" L
Collapsed Length	38-5/8" L
Full Extension Length	74" L
Bar Adjusting Capacity	21" Total Adjusting Range (3" Per Hole Increments)
Adjusting Bolt Capacity	6" Total Adjusting Range (3" Adjusting Range Per End)

SAVE THIS MANUAL

You will need the manual for the safety warnings and precautions, assembly instructions, operating and maintenance procedures, parts list and diagram. Keep your invoice with this manual. Write the invoice number on the inside of the front cover. Keep the manual and invoice in a safe and dry place for future reference.

SAFETY WARNINGS AND PRECAUTIONS

1. **KEEP PRODUCT USAGE AREA CLEAN.** Cluttered areas invite injuries.
2. **KEEP CHILDREN AWAY FROM PRODUCT USAGE AREA.** Do not allow children to handle this product.
3. **DO NOT USE THIS PRODUCT IF UNDER THE INFLUENCE OF ALCOHOL OR DRUGS.** Read warning labels on prescriptions to determine if your judgement or reflexes are impaired while taking drugs. If there is any doubt, do not attempt to use this product.
4. **DRESS SAFELY.** Do not wear loose clothing or jewelry as they can become caught in moving parts. Wear a protective hair covering to prevent long hair from becoming caught in the moving parts.
5. **USE EYE PROTECTION.** Wear ANSI approved safety impact goggles. Goggles are available from Harbor Freight Tools.
6. **DO NOT OVERREACH.** Keep proper footing and balance at all times.

7. **STAY ALERT.** Watch what you are doing at all times. Use common sense. Do not operate this product when you are tired or distracted from the job at hand.
8. **CHECK FOR DAMAGED PARTS.** Before using this product, carefully check that it will operate properly and perform its intended function. Check for damaged parts and any other conditions that may affect its operation. Replace or repair damaged or worn parts immediately.
9. **REPLACEMENT PARTS AND ACCESSORIES.** When servicing, use only identical replacement parts. Only use accessories intended for use with this product. Approved accessories are available from Harbor Freight Tools.
10. **MAINTAIN PRODUCT WITH CARE.** Keep this product clean and dry for better performance.
11. **MAINTENANCE:** Service and maintenance should be performed regularly by a qualified technician.
12. **USE THE RIGHT PRODUCT FOR THE RIGHT JOB.** There are certain applications for which this product was designed. Do not use this product for a purpose for which it was not intended.

SPECIFIC PRECAUTIONS FOR THIS PRODUCT

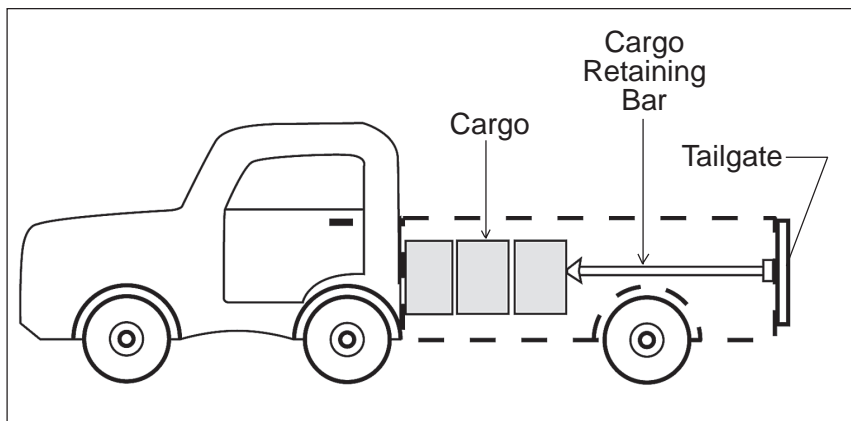
1. This product is for use only with *one level* cargo. Do not use this product with cargo that is stacked two or more high. Doing so may result in damaged cargo and/or personal injury.

UNPACKING

When unpacking, check to make sure all parts shown on the Parts List (page #5) are included. If any parts are missing or broken, please call Harbor Freight Tools at the number shown on the cover of this manual as soon as possible.

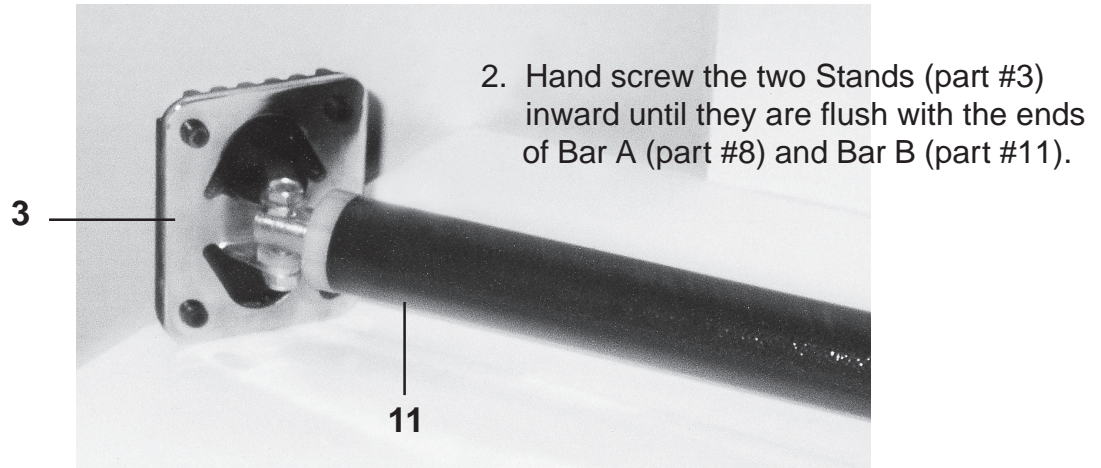
ASSEMBLY INSTRUCTIONS

NOTE: All parts below refer to the parts listed on page #6 of this manual.

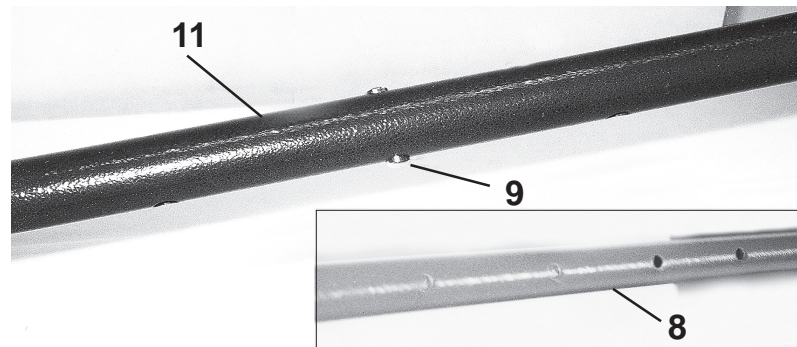


To Use Cargo Retaining Bar:

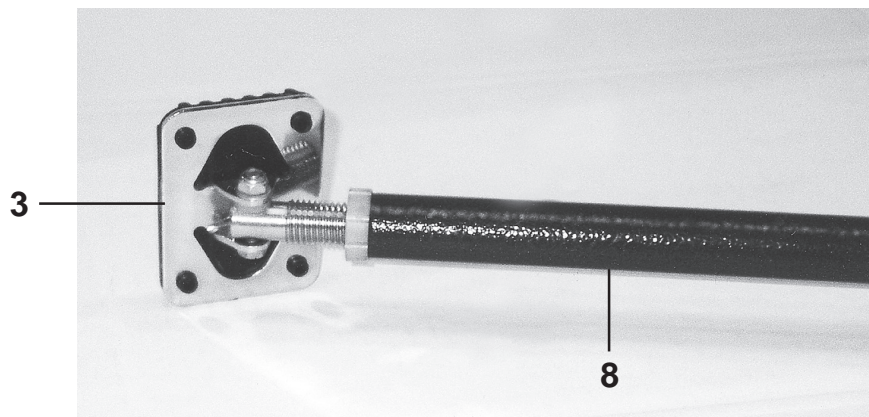
1. Check to make sure cargo is packed firmly and securely against the front panel of the truck bed.
NOTE: Do not use this product when stacking cargo (two or more high).



2. While firmly holding Bar B with one hand, press in both knobs of the Spring Clamp (part #9) and extend Bar A (part #8) until the Rubber Spacers (part #1) are pressed against the cargo toward the front of the truck bed and against the truck tailgate at the rear end .
3. Release the knobs of the Spring Clamp, and either extend or collapse the length of the Cargo Retaining Bar until the knobs of the Spring Clamp self-insert into the nearest Adjusting Hole located on Bar B.



4. Depending on the final adjustment length (up to 6") required to firmly brace the Cargo Retaining Bar between the cargo and the truck tailgate, twist Bar A and/or Bar B *counterclockwise* as needed to extend the Stands at either end.



To Release Cargo Retaining Bar:

1. Twist Bar A and/or Bar B *clockwise* to screw the Stands inward until they are flush with the ends of Bar A and Bar B.
2. While firmly holding Bar B with one hand, press in both knobs of the Spring Clamp and collapse Bar A into Bar B.

MAINTENANCE

1. For better and safer performance, keep all moving parts of this product clean and dry at all times.

PLEASE READ THE FOLLOWING CAREFULLY

THE MANUFACTURER AND/OR DISTRIBUTOR HAS PROVIDED THE PARTS DIAGRAM IN THIS MANUAL AS A REFERENCE TOOL ONLY. NEITHER THE MANUFACTURER NOR DISTRIBUTOR MAKES ANY REPRESENTATION OR WARRANTY OF ANY KIND TO THE BUYER THAT HE OR SHE IS QUALIFIED TO MAKE ANY REPAIRS TO THE PRODUCT OR THAT HE OR SHE IS QUALIFIED TO REPLACE ANY PARTS OF THE PRODUCT. IN FACT, THE MANUFACTURER AND/OR DISTRIBUTOR EXPRESSLY STATES THAT ALL REPAIRS AND PARTS REPLACEMENTS SHOULD BE UNDERTAKEN BY CERTIFIED AND LICENSED TECHNICIANS AND NOT BY THE BUYER. THE BUYER ASSUMES ALL RISK AND LIABILITY ARISING OUT OF HIS OR HER REPAIRS TO THE ORIGINAL PRODUCT OR REPLACEMENT PARTS THERETO, OR ARISING OUT OF HIS OR HER INSTALLATION OF REPLACEMENT PARTS THERETO.

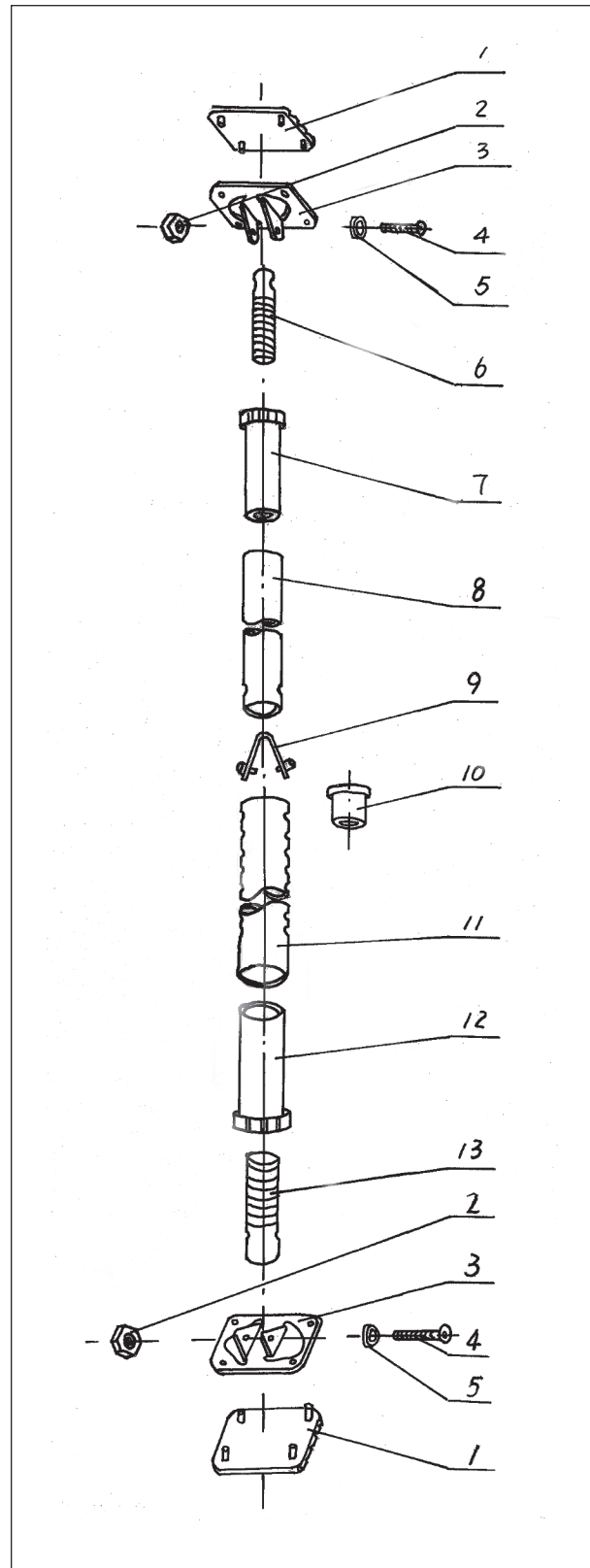
PARTS LIST

PART #	DESCRIPTION	QTY
1	Rubber Spacer	2
2	Nut	2
3	Stand	2
4	Screw	2
5	Washer	2
6	Adjusting Bolt A	1
7	Adjusting Bushing A	1
8	Bar A	1
9	Spring Clamp	1
10	Guide Bushing	1
11	Bar B	1
12	Adjusting Bushing B	1
13	Adjusting Bolt B	1

NOTE:

Some parts are listed and shown for illustration purposes only, and are not available individually as replacement parts.

PARTS DIAGRAM



Free Manuals Download Website

<http://myh66.com>

<http://usermanuals.us>

<http://www.somanuals.com>

<http://www.4manuals.cc>

<http://www.manual-lib.com>

<http://www.404manual.com>

<http://www.luxmanual.com>

<http://aubethermostatmanual.com>

Golf course search by state

<http://golfingnear.com>

Email search by domain

<http://emailbydomain.com>

Auto manuals search

<http://auto.somanuals.com>

TV manuals search

<http://tv.somanuals.com>