



800 LB. LOAD CAPACITY PICKUP TRUCK RACK

Model 98511

INSTRUCTIONS AND PRECAUTIONS



Visit our website at: <http://www.harborfreight.com>



**Read this material before using this product.
Failure to do so can result in serious injury.
SAVE THIS MANUAL.**

Copyright© 2008 by Harbor Freight Tools®. All rights reserved. No portion of this manual or any artwork contained herein may be reproduced in any shape or form without the express written consent of Harbor Freight Tools. Diagrams within this manual may not be drawn proportionally. Due to continuing improvements, actual product may differ slightly from the product described herein. Tools required for assembly and service may not be included.

For technical questions or replacement parts, please call 1-800-444-3353.

Manual Revised 10h

SPECIFICATIONS

Materials	Steel Tubing, Brackets and Fasteners
Max. Weight Capacity	800 lb.
Overall Dimensions	11'-6" L x 5' W x 2'-10" H
Weight	133 lb.

UNPACKING

When unpacking, check to make sure that the item is intact and undamaged. If any parts are missing or broken, please call Harbor Freight Tools at the number shown on the cover of this document as soon as possible.

GENERAL SAFETY RULES

SAVE THESE INSTRUCTIONS

1. Do not exceed the 800 lb. max. weight capacity. **Be aware of dynamic loading!** Suddenly swinging or dropping load may briefly create excess load causing product failure.
2. Wear ANSI-approved safety goggles and heavy-duty work gloves during assembly and installation.
3. Do not assemble without assistance; more than one person needed to successfully assemble and install Truck Rack.
4. Follow DOT regulations regarding Truck Rack installation and use.
5. Mount securely to vehicle. Mounting surface must be able to support Rack and its load.
6. Mount load securely to Rack before driving vehicle.
7. Before installing, check to see if vehicle has a long bed or a short bed. Setup depends on truck bed size.
8. Install to vehicle only when vehicle is parked on a level surface, emergency brake activated, and ignition turned off. Do NOT install Rack while vehicle is moving.
9. Use Truck Rack for intended purposes only. There are certain applications for which this Truck Rack was designed. Do not modify Truck Rack and do not use for a purpose for which it was not intended.
10. Dress properly. Do not wear loose clothing or jewelry during assembly and installation as they can be caught in connections. Wear restrictive hair covering to contain long hair.
11. Maintain Truck Rack with care. Keep Truck Rack clean and dry.
12. Check for damaged components. Before using the Truck Rack, any component that appears damaged should be carefully checked to determine that it will operate properly and perform its intended function. Check for alignment, any broken parts or mounting fixtures; and any other condition that may affect proper operation. Any component that is damaged should be replaced. **Do NOT use if parts are loose or damaged.**
13. Read manual of power drill used before installing.
14. When servicing, use only identical replacement parts. Use of any other parts will void the warranty.
15. Verify that installation surfaces on vehicle have no hidden wires before drilling or driving screws.
16. Mount only to vehicle able to withstand weight of Truck Rack and items stored on Rack.
17. Do not allow children to play with or climb on Truck Rack.
18. The warnings, precautions, and instructions discussed in this instruction manual cannot cover all possible conditions and situations that may occur. It must be understood by the operator that common sense and caution are factors which cannot be built into this product, but must be supplied by the operator.



Read the ENTIRE IMPORTANT SAFETY INFORMATION section at the beginning of this document including all text under subheadings therein before set up or use of this product.

Note: For additional information regarding the parts listed in the following pages, refer to the Assembly Diagrams shown for each individual item number over the next few pages.

Assembly

Please note: The following tools are needed (but not included) for proper assembly of Truck Rack: Adjustable Wrench, Hacksaw, Pen Marker, Center Punch and a Drill with 5/16" Drill bit.

1. Before assembly and installation, determine if truck has LONG or SHORT bed. Measure length of truck bed with tailgate closed. Then measure between Truck Rack's Front and Rear Leg Stands. Proper assembly depends on knowing correct bed truck size.
2. **Please note:** During assembly, do not fully tighten connections until specified.
3. Slide Rear Leg Stands (6, 7) into curved rail ends of Back Side Frames (3). Using wrench (not included) fasten together with Bolts (18), Nuts (19) and Flat Washers (20). See **Figure 1**, below.

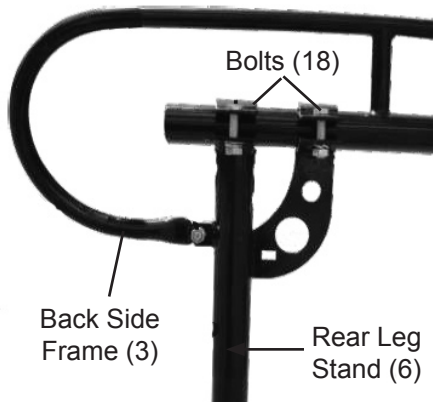


Figure 1

4. Slide each end of Rear Bar (12) over top ends of Back Side Frames. Fasten together using Bolts (18), Nuts (19) and Flat Washers (20). See **Figure 2**, above.
5. Thread Bolt (31) and Washer (34) through Rear Leg Stands (6, 7) and out from rear leg bar bracket slots. Attach Washer (34) and Nut (32) and then finger tighten. Repeats these steps for the opposite side. See **Figure 2**, above.

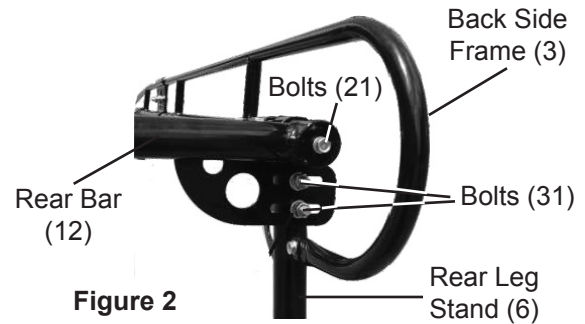


Figure 2

6. The next step depends on bed truck size:

For Short Bed Truck (5'- 7' Long): Slide Front Bar (10) onto BACK ends of Front Side Frames (2). Then slide Front Leg Stands (4, 5) onto Front Side Frames so they are behind Front Frame's cross bar. See **Figure 3**, below.

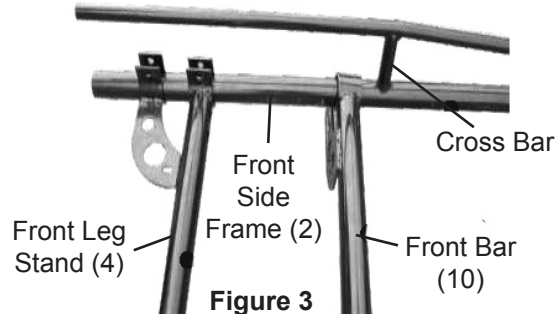


Figure 3

For Long Bed Truck (7' or more): Slide Front Bar (10) onto FRONT ends of Front Side Frames (2). Then slide Front Leg Stands (4) onto Front Side Frames so they are in front of Frame's cross bar. See **Figure 4**, below.

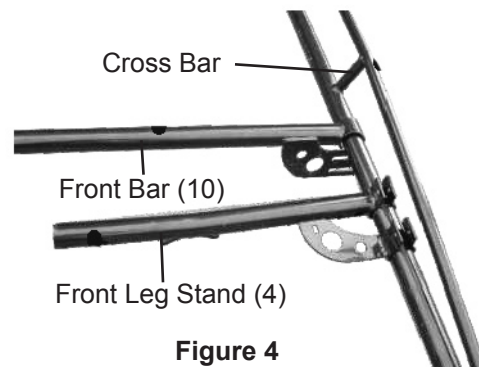


Figure 4

7. Fasten Front Leg Stands (4, 5) to Front Side Frames (2), using Bolts (18), Nuts (19), and Flat Washers (20).
8. Use Bolts (31), Nuts (32), Spring Washers (33), and Flat Washers (34) to connect Leg Stands (4, 5) to Front Bar (10).

9. Slide Front Side Frames (2) and Back Side Frames (3) together. Attach two Clamp halves (13) over connected portion of the Side and Back frames. Use Bolts (15), Nuts (16) and Flat Washers (17) to fasten Clamps over connected frames. See **Figure 5**, below.

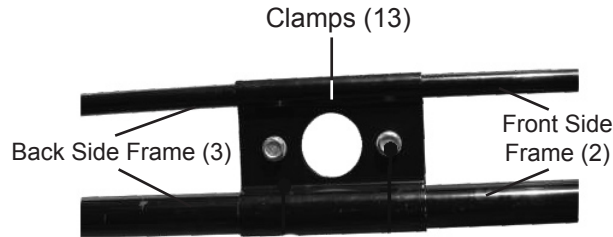


Figure 5

10. Slide ends of Cab Bar (1) over ends of Front Side Frames. Fasten Cab Bar to Frame tips using Bolts (35), Nuts (36), Spring Washers (37) and Flat Washers (38). See **Figure 6**, below.

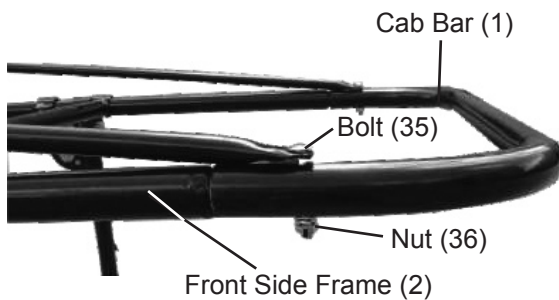


Figure 6

11. Place Center Bar (11) between Front or Rear Side Frames. **Please note:** Center Bar is adjustable and can be fastened anywhere along Side Frames. Fasten Center Bar to Side Frames using Bolts (24), Nuts (25) and Flat Washers (26). See **Figure 7**, below.

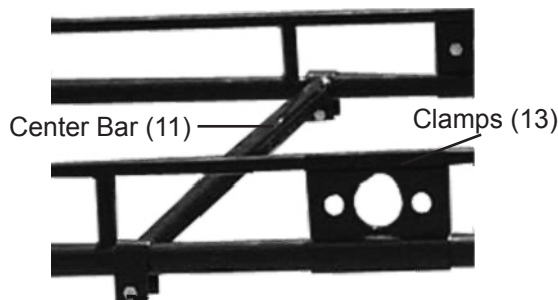


Figure 7

12. The Truck Rack comes with four Coupler Risers (14) that allow you to raise height of Rack another 6" if desired. Fasten Coupler Risers

to bottom of each Leg Stand using Bolts (27), Nuts (28), Spring Washers (29) and Flat Washers (30). See **Figure 8**, below.

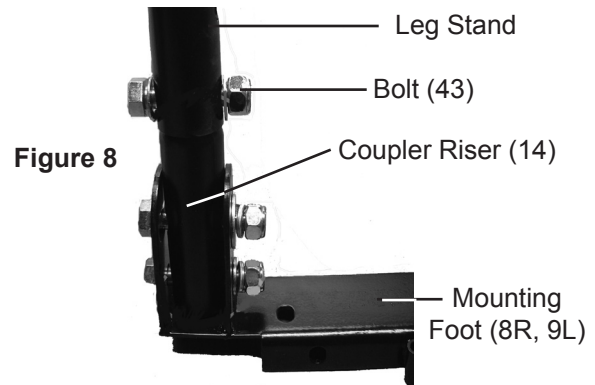


Figure 8

13. Fasten Front (8L, 8R) and Rear (9L, 9R) Mounting Feet to Coupler Risers, using Bolts (27), Nuts (28), Spring Washers (29) and Flat Washers (30). See **Figure 9**, below.

Please note: All Mounting Feet must be installed with lips facing towards INSIDE of bed truck. See **Figure 9**, below.

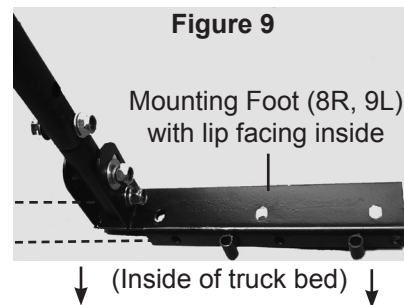


Figure 9

14. **Please note:** If lower Truck Rack height is desired, Leg Stands can be fastened directly to Front and Rear Mounting Feet without Coupler Risers. Use Bolts (27), Nuts (28), Spring Washers (29) and Flat Washers (30) to fasten Leg Stand to Feet. See **Figure 10**, below.

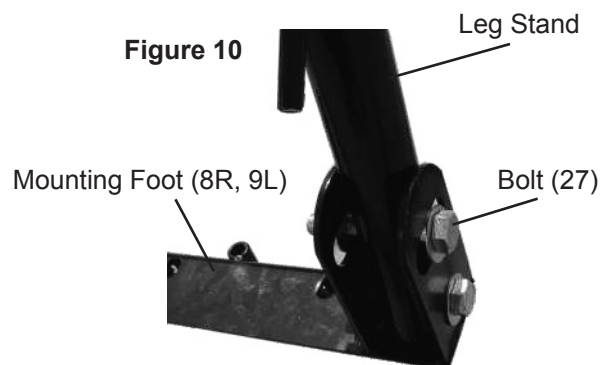


Figure 10

- With assistance, lift Truck Rack onto truck bed. Position Front Mounting Feet as close to front corner truck bed rails as possible. Position Rear Mounting Feet as close as possible to rear corner truck bed rails.

Please note: Truck Rack can be installed either temporarily (without drill) or permanently (with drill) installations.

TEMPORARY INSTALLATION

- Insert J-Hook (39) through slots on Mounting Feet to hold Rack against truck bed rails. Fasten in place using Nuts (40), Spring Washer (41) and Flat Washers (42). See Figure 11, below.

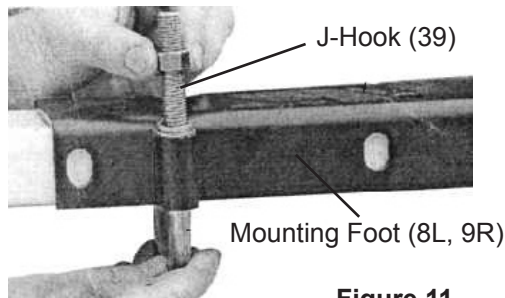


Figure 11

Please note: If any obstructions are present beneath bed rail, move leg stands forward or back until J-Hook can be properly installed.

WARNING: Make sure Truck Rail remains stable and balanced.

- Top of threaded J-Hook may remain too high above bed rails. Use hacksaw (not included) to remove top of J-Hook if desired.

PERMANENT INSTALLATION

- Push Mounting Feet towards bed rails until Mounting Feet lips are firmly against bed rail edge. Use pen marker (not included) to mark drilling locations for each Mounting Foot.
- WARNING! Before drilling, verify that bed truck rails have no hidden wires or utility lines below installation surface. Also, make sure Truck Rack is stable and balanced.**
- Use Center Punch (not included) to position center of drill holes for Mounting Feet slots. Use a drill with 5/16" drill bit (not included) to drill mounting holes in truck bed rails.

- Fasten Mounting Feet to bed rails using Bolts (31), Nuts (40), Spring Washers (41) and Flat Washers (42).
- After installation, make sure Cab Bar (1) is properly aligned with the front and sides of the Cab. You may need to push/pull Cab Bar to adjust.
- Once installation is complete, make sure all connections are tight and secure. Tighten any connection that is not secure.

INSPECTION AND MAINTENANCE

⚠ WARNING

TO PREVENT SERIOUS INJURY FROM TRUCK RACK

FAILURE:

Do not use damaged Truck Rack. If Truck Rack is damaged in any way or if a connection becomes unstable, have the problem corrected before further use.

- BEFORE EACH USE**, inspect the general condition of Truck Rack. Check for loose fasteners, misalignment or binding of moving parts, cracked or broken parts, and any other condition that may affect its safe operation.
- Regularly wipe down Truck Rack with clean, soft cloth.
- If installed temporarily, disassemble Truck Rack and remove from truck bed. Keep Truck Rack parts stored in a safe location out of reach of children.

Record Serial Number Here: _____

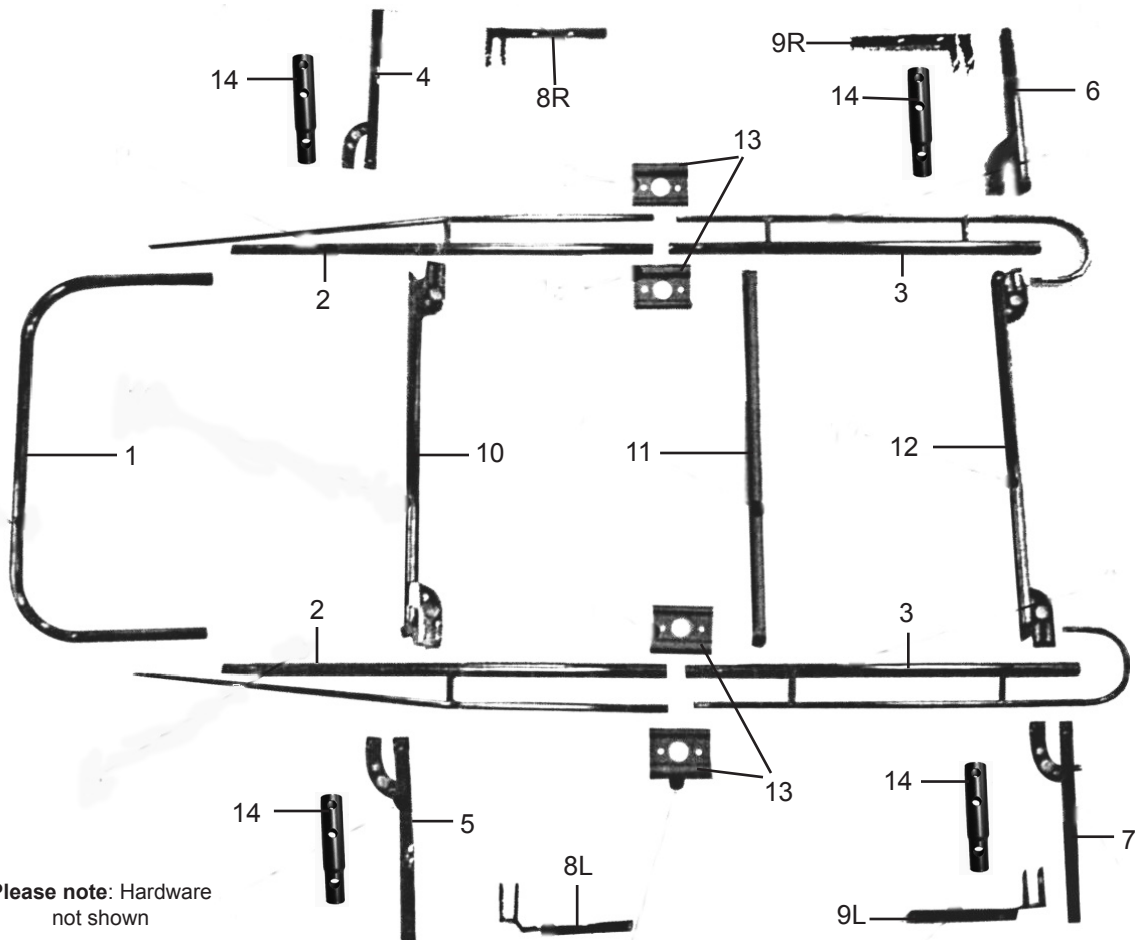
Note: If product has no serial number, record month and year of purchase instead.

PLEASE READ THE FOLLOWING CAREFULLY

THE MANUFACTURER AND/OR DISTRIBUTOR HAS PROVIDED THE PARTS LIST AND ASSEMBLY DIAGRAM IN THIS DOCUMENT AS A REFERENCE TOOL ONLY. NEITHER THE MANUFACTURER OR DISTRIBUTOR MAKES ANY REPRESENTATION OR WARRANTY OF ANY KIND TO THE BUYER THAT HE OR SHE IS QUALIFIED TO MAKE ANY REPAIRS TO THE PRODUCT, OR THAT HE OR SHE IS QUALIFIED TO REPLACE ANY PARTS OF THE PRODUCT. IN FACT, THE MANUFACTURER AND/OR DISTRIBUTOR EXPRESSLY STATES THAT ALL REPAIRS AND PARTS REPLACEMENTS SHOULD BE UNDERTAKEN BY CERTIFIED AND LICENSED TECHNICIANS, AND NOT BY THE BUYER. THE BUYER ASSUMES ALL RISK AND LIABILITY ARISING OUT OF HIS OR HER REPAIRS TO THE ORIGINAL PRODUCT OR REPLACEMENT PARTS THERETO, OR ARISING OUT OF HIS OR HER INSTALLATION OF REPLACEMENT PARTS THERETO.

PARTS LIST & ASSEMBLY DIAGRAM

Part	Description	Qty.
1	Cab Bar	1
2	Front Side Frames	2
3	Back Side Frames	2
4	Front Left Leg Stand	1
5	Front Right Leg Stand	1
6	Rear Left Leg Stand (with welded tip)	1
7	Rear Right Leg Stand	1
8L, 8R	Front Mounting Feet	2
9L, 9R	Rear Mounting Feet	2
10	Front Bar	1
11	Center Bar	1
12	Rear Bar	1
13	Clamps	4
14	Coupler Riser	4



Please note: Hardware not shown

Note: Some parts are listed and shown for illustration purposes only, and are not available individually as replacement parts.

SKU 98511

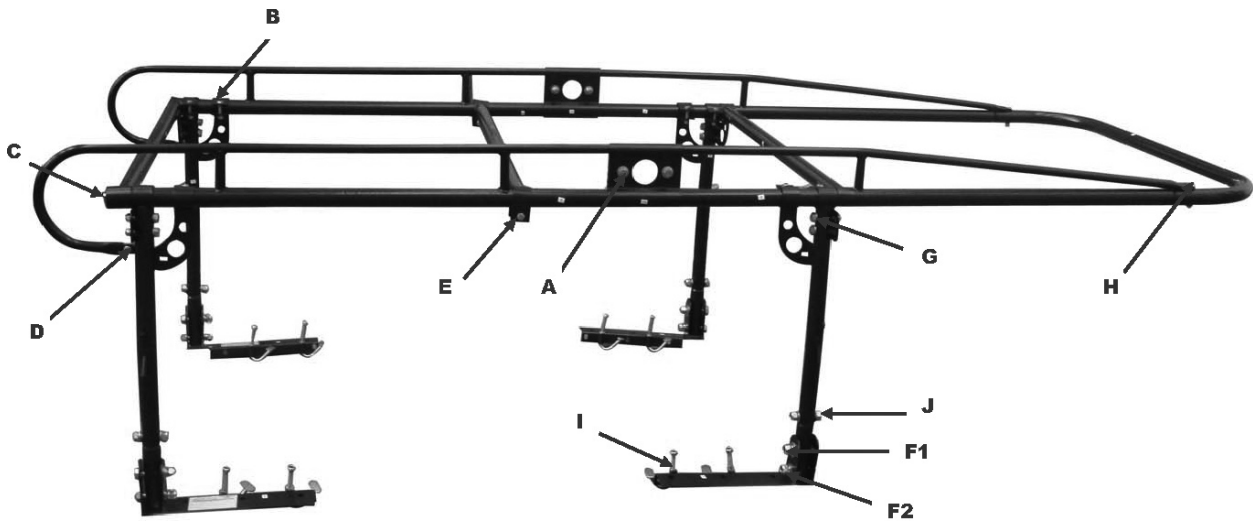
For technical questions, please call 1-800-444-3353.

REV 10b
Page 6

HARDWARE PARTS LIST AND DIAGRAM

PACKAGE NO.	Part No.	Description	QTY
A	15	Bolt M10 x 35 (1-3/8" L)	4
	16	Nut M16	4
	17	Flat Washer Ø16	8
B	18	Bolt M12 x 50 (2" L)	8
	19	Nut M12	8
	20	Flat Washer Ø12	8
C	21	Bolt M16 x 30 (1-3/16" L)	2
	23	Flat Washer Ø10	2
D	21	Bolt M16 x 35 (1-3/16" L)	2
	22	Nut M10	2
	23	Flat Washer Ø10	2
E	24	Bolt M12 x 75 (3" L)	2
	25	Nut M12	2
	26	Flat Washer	2
F1	27	Bolt M18 x 85 (3-1/2" L)	4
	28	Nut M18	4
	29	Spring Washer Ø18	4
	30	Flat Washer Ø18	8

PACKAGE NO.	Part No.	Description	QTY
F2	27	Bolt M18 x 85 (3-1/2" L)	4
	28	Nut M18	4
	29	Spring Washer Ø18	4
	30	Flat Washer Ø18	8
G	31	Bolt M12 x 70 (2-3/4" L)	8
	32	Nut M12	8
	33	Spring Washer Ø12	8
	34	Flat Washer Ø12	8
	46	Flat Washer Ø16	8
H	35	Bolt M10 x 70 (2-3/4" L)	2
	36	Nut M10	2
	37	Spring Washer Ø10	2
	38	Flat Washer Ø10	2
I	39	J-Hook	8
	40	Nut M12	8
	41	Spring Washer	8
	42	Flat Washer Ø12	8
J	43	Bolt M18 x 70 (2-3/4"L)	4
	44	Nut M18	4
	45	Flat Washer Ø18	8



REV 10b, 10c

SKU 98511

For technical questions, please call 1-800-444-3353.

Page 7

LIMITED 90 DAY WARRANTY

Harbor Freight Tools Co. makes every effort to assure that its products meet high quality and durability standards, and warrants to the original purchaser that this product is free from defects in materials and workmanship for the period of 90 days from the date of purchase. This warranty does not apply to damage due directly or indirectly, to misuse, abuse, negligence or accidents, repairs or alterations outside our facilities, criminal activity, improper installation, normal wear and tear, or to lack of maintenance. We shall in no event be liable for death, injuries to persons or property, or for incidental, contingent, special or consequential damages arising from the use of our product. Some states do not allow the exclusion or limitation of incidental or consequential damages, so the above limitation of exclusion may not apply to you. THIS WARRANTY IS EXPRESSLY IN LIEU OF ALL OTHER WARRANTIES, EXPRESS OR IMPLIED, INCLUDING THE WARRANTIES OF MERCHANTABILITY AND FITNESS.

To take advantage of this warranty, the product or part must be returned to us with transportation charges prepaid. Proof of purchase date and an explanation of the complaint must accompany the merchandise. If our inspection verifies the defect, we will either repair or replace the product at our election or we may elect to refund the purchase price if we cannot readily and quickly provide you with a replacement. We will return repaired products at our expense, but if we determine there is no defect, or that the defect resulted from causes not within the scope of our warranty, then you must bear the cost of returning the product.

This warranty gives you specific legal rights and you may also have other rights which vary from state to state.

3491 Mission Oaks Blvd. • PO Box 6009 • Camarillo, CA 93011 • (800) 444-3353

Free Manuals Download Website

<http://myh66.com>

<http://usermanuals.us>

<http://www.somanuals.com>

<http://www.4manuals.cc>

<http://www.manual-lib.com>

<http://www.404manual.com>

<http://www.luxmanual.com>

<http://aubethermostatmanual.com>

Golf course search by state

<http://golfingnear.com>

Email search by domain

<http://emailbydomain.com>

Auto manuals search

<http://auto.somanuals.com>

TV manuals search

<http://tv.somanuals.com>