

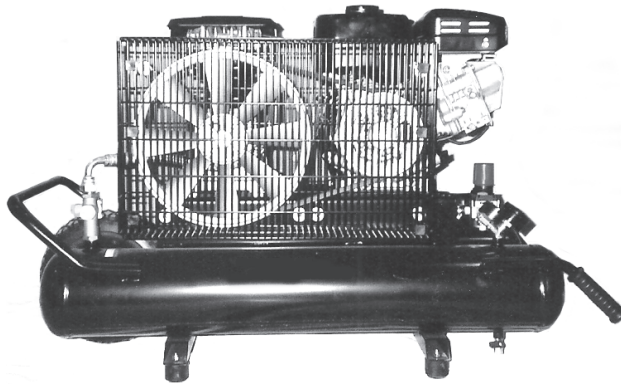
**U.S. General**®

★ *Air Superiority* ★

# AIR COMPRESSOR 6 HP - 8 GALLON CAPACITY

**Model 93874**

## ASSEMBLY AND OPERATING INSTRUCTIONS



Do to continuing improvements,  
actual product may differ slightly  
from the product described herein.



### **WARNING!**

#### **Your Warranty Is Voided If:**

- A. You do not put compressor oil in the Compressor's crankcase prior to its first use.**  
Before each use, check the oil level. Never run the Compressor with low or no compressor oil. Running the Compressor with low or no oil will permanently damage the unit.
- B. You do not put engine oil in the Engine's crankcase prior to its first use.**  
Before each use, check the oil level. Never run the Engine with low or no engine oil. Running the Compressor with low or no oil will permanently damage the unit.
- C. You drop the Air Compressor.**  
Always lift the Air Compressor using its Handle.



3491 Mission Oaks Blvd., Camarillo, CA 93011  
Visit our Web site at: <http://www.harborfreight.com>

**TO PREVENT SERIOUS INJURY,  
READ AND UNDERSTAND ALL WARNINGS  
AND INSTRUCTIONS BEFORE USE.**

Copyright©2006 by Harbor Freight Tools®. All rights reserved. No portion of this manual or any artwork contained herein may be reproduced in any shape or form without the express written consent of Harbor Freight Tools.

**For technical questions, please call 1-800-444-3353.**

## PRODUCT SPECIFICATIONS

Air Tank Capacity	Dual 4 Gallon (8 Gallon Total)
Air Tank Design Type	Wheelbarrow Dual Tank System w/Dual Bottom Tank Bleeders
Maximum Air Pressure	145 PSI
Safety Release Valve	150 PSI
Engine Standby/Idler	Engine Idles @ 145 PSI (Stops Pumping)
Engine Standby Cancel	Accumulates Pressure @ about 105 PSI
Air Flow	11 CFM @ 40 PSI 9 CFM @ 90 PSI
Air Outlet Size	3/8" NPT
Compressor Type	Single Stage
Compressor V-Belt Type	A47 (13 x 11.94)
Compressor Tank Pressure Gauge	0~230 PSI (Red Scale) / 0~16 BAR (Black Scale)
Compressor Tool Pressure Gauge	0~230 PSI (Red Scale) / 0~20 BAR (Black Scale)
Engine Type	6.0 HP Robin EX-17® / Unleaded Gasoline Powered / Pull Start Automatic Low Oil Shut-Down / Fuel Tank Size: 1 Gallon EPA-Approved / CARB-Approved
Weight	137 Pounds


## SAVE THIS MANUAL

You will need this manual for the safety warnings and precautions, assembly, operating, inspection, maintenance and cleaning procedures, parts list and assembly diagram. Keep your invoice with this manual. Write the invoice number on the inside of the front cover. Keep this manual and invoice in a safe and dry place for future reference.

## GENERAL SAFETY RULES AND PRECAUTIONS


 **WARNING!**  
**READ AND UNDERSTAND ALL INSTRUCTIONS**  
**Failure to follow all instructions listed below may result in**  
**electric shock, fire, and/or serious injury.**  
**SAVE THESE INSTRUCTIONS**

### WORK AREA

1. **Keep your work area clean and well lit.** Cluttered benches and dark areas invite accidents.
2.  **Do not operate power tools in explosive atmospheres, such as in the presence of flammable liquids, gases, or dust.** Power tools create sparks which may ignite the dust or fumes.

3. **Keep bystanders, children, and visitors away while operating a power tool.** Distractions can cause you to lose control. Protect others in the work area from debris such as chips and sparks. Provide barriers or shields as needed.

### PERSONAL SAFETY

1. **Stay alert. Watch what you are doing, and use common sense when operating a power tool. Do not use a power tool while tired or under the influence of drugs, alcohol, or medication.** A moment of inattention while operating power tools may result in serious personal injury.
2. **Dress properly. Do not wear loose clothing or jewelry. Contain long hair. Keep your hair, clothing, and gloves away from moving parts.** Loose clothes, jewelry, or long hair can be caught in moving parts.
3. **Avoid accidental starting. Be sure the Gasoline Engine's Power Switch is in its "OFF" position before moving the Compressor and before performing any service, maintenance, or cleaning procedures on the unit.**
4. **Remove adjusting keys or wrenches before turning the Compressor on.** A wrench or a key that is left attached to a rotating part of the machine may result in personal injury.
5. **Do not overreach. Keep proper footing and balance at all times.** Proper footing and balance enables better control of the power tool in unexpected situations.
6.  **Use safety equipment. Always wear eye protection.** Always wear ANSI approved safety impact goggles when using this product. ANSI approved hearing protection must also be used.

### TOOL USE AND CARE

1. **Do not force the tool. Use the correct tool for your application.** The correct tool will do the job better and safer at the rate for which it is designed.
2. **Do not use the Compressor if the Gasoline Engine's Power Switch does not turn it on or off.** Any tool that cannot be controlled with its power switch is dangerous and must be replaced.
3. **Store idle tools out of reach of children and other untrained persons.** Tools are dangerous in the hands of untrained users.
4. **Maintain tools with care.** Properly maintained tools with a sharp cutting edge are less likely to bind and are easier to control. Do not use a damaged tool. Tag



damaged tools “Do not use” until repaired.

5. **Check for misalignment or binding of moving parts, breakage of parts, and any other condition that may affect the tool’s operation. If damaged, have the tool serviced before using.** Many accidents are caused by poorly maintained tools.
6. **Use only accessories that are recommended by the manufacturer for your model.** Accessories that may be suitable for one tool may become hazardous when used on another tool.



### SERVICE

1. **Tool service must be performed only by qualified repair personnel.** Service or maintenance performed by unqualified personnel could result in a risk of injury.
2. **When servicing a tool, use only identical replacement parts. Follow instructions in the “*Inspection, Maintenance, And Cleaning*” section of this manual.** Use of unauthorized parts or failure to follow maintenance instructions may create a risk of electric shock or injury.

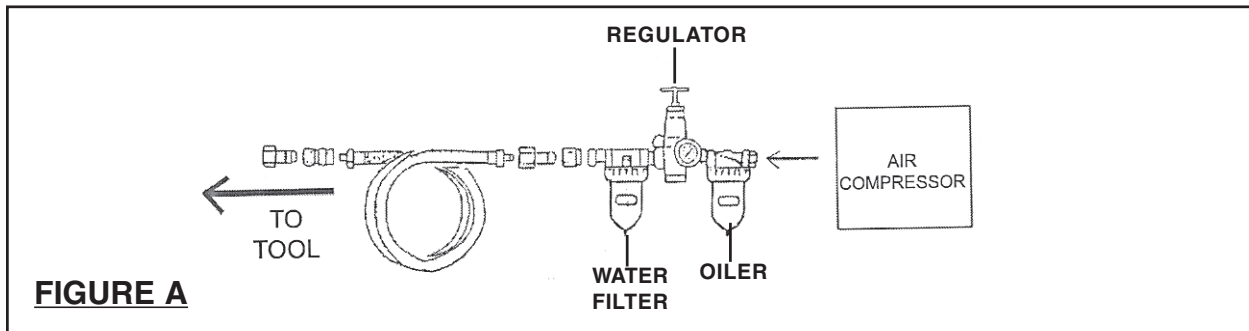
## SPECIFIC SAFETY RULES AND PRECAUTIONS

1.  **WARNING! Your Warranty is voided if:**
  - A. **You do not put compressor oil in the Compressor’s crankcase prior to its first use.** Before each use, check the oil level. Never run the Compressor with low or no compressor oil. Running the Compressor with low or no oil will permanently damage the unit.
  - B. **You do not put engine oil in the Engine’s crankcase prior to its first use.** Before each use, check the oil level. Never run the Engine with low or no engine oil. Running the Engine with low or no oil will permanently damage the unit.
  - C. **You drop the Air Compressor.** Always lift and lower the Air Compressor using its Handle.
2. **Maintain labels and nameplates on the Air Compressor.** These carry important information. If unreadable or missing, contact Harbor Freight Tools for a replacement.
3.  **DANGER!** This Air Compressor is NOT equipped and should not be used “as-is” to supply breathing quality air. For any application of air for human consumption, you must fit the Air Compressor with suitable inline safety, alarm equipment, and other safety equipment (not included). This additional equipment is necessary to properly filter and purify the air to meet minimal specifications for Grade D breathing as described in Compressed Gas Association Commodity Specification G 7.1-1966, OSHA 29 CFR 1910. 134, and/or Canadian Standards Associations (CSA). In the event the Air Compressor is used for the purpose of breathing air application and proper in-line safety and alarm equipment is not simultaneously used, existing

warranties are void, and Harbor Freight Tools disclaims any liability whatsoever for any loss, personal injury, or damage.

4.  **DANGER!** Never attempt to repair or modify the Tanks (12). Welding, drilling, or any other modification will weaken the Tanks resulting in damage from rupture or explosion. Always replace worn, cracked, or damaged Tanks.
5.  **WARNING!** Never use plastic (PVC) pipe for compressed air. Serious injury or death could result. Any tube, pipe, or hose used must have a pressure rating higher than 150 PSI. Minimum recommended pipe size: Up to 50 feet long use 1/2" diameter. Greater than 50 feet use 3/4" diameter. Larger diameter pipe is always better.
6. **Make sure all tools and equipment used with the Air Compressor are rated to the appropriate capacity.** Do not exceed the capacity for any tool or equipment. **Always** start out with the regulator adjusted all the way down, and then gradually bring the pressure up to the proper level.
7. **Drain the Air Compressor every day.** Do not allow excessive moisture to build up inside the Air Compressor's Tank. Do not open the Drain Plugs (25) with more than 10 PSI of air pressure in the Tank. Do not unscrew the Drain Plugs so that *more than* four threads are showing.
8. **Avoid injury.** Never direct the air output at people or animals.
9. **Do not alter or remove the Pressure Release Valves (9, 33).**
10. **Make sure the Air Compressor is located on a flat, level, sturdy surface capable of supporting the weight of the Compressor, operator(s), and any additional tools and equipment.**
11. **Industrial applications must follow OSHA guidelines.**
12. **Never stand on the Air Compressor.** Serious injury could result if the Compressor is tipped.
13. **Never leave the Air Compressor unattended when it is plugged in and running.** Turn off the Compressor, and unplug the unit before leaving.
14. **Do not allow children and other unauthorized people to handle or play with the Air Compressor.**
15. **Do not move or transport the Compressor if the Tanks (12) are under pressure.**
16. **This Compressor is designed for outdoor use only.** Do not operate the Compressor in a closed area or in a poorly ventilated area. **When running, the Engine of this Compressor produces carbon monoxide, a colorless, odorless, toxic fume that, when inhaled, can cause serious personal injury or death. Whenever possible, use a carbon monoxide detector (not included) to detect excessive carbon monoxide fumes in the work area and in the surrounding area.**

17. **Do not force the Compressor.** This tool will do the work better and safer at the speed and capacity for which it was designed.
18. **To extend the life of your tools and equipment,** it is recommended that you install an oiler and water filter inline with the air output line of the Air Compressor. (See Figure A.)



### FIRE AND EXPLOSION PRECAUTIONS

1. **Gasoline fuel and fumes are flammable, and potentially explosive.** Use proper fuel storage and handling procedures. Always have multiple ABC class fire extinguishers nearby.
2. **Keep the Compressor and surrounding areas clean at all times.**
3. **When spills of fuel or oil occur, they must be cleaned up immediately.** Dispose of fluids and cleaning materials as per any local, state, or federal codes and regulations. Store oil rags in a covered metal container.
4. **Never store fuel or other flammable materials near the Compressor.**
5. **Do not smoke, or allow sparks, flames, or other sources of ignition around the Compressor.**

6. **Keep grounded conductive objects, such as tools, away from exposed, live electrical parts and connections to avoid sparking or arcing.** These events could ignite fumes or vapors.
7. **Do not refill the Fuel Tank while the Engine is running or while the Engine is still hot.** Do not operate the Compressor with known leaks in the fuel system.
8. **Use only Engine manufacturer recommended fuel and oil.**

### **MECHANICAL PRECAUTIONS**

1. **Prior to performing service, maintenance, or cleaning procedures, always make sure the Gasoline Engine's Power Switch is in its "OFF" position. Allow the Engine and Compressor to completely cool. Then, remove the spark plug from the Engine.**
2. **Do not alter or adjust any part of the Compressor or Engine that is assembled and supplied by the manufacturer.**
3. **Always follow and complete scheduled Compressor and Engine maintenance.**

### **CHEMICAL PRECAUTIONS**

1. **Avoid contact with hot fuel, oil, exhaust fumes, and solid surfaces.**
2. **Avoid body contact with fuels, oils, and lubricants used in the Compressor and Engine.** If swallowed, seek medical treatment immediately. Do not induce vomiting if fuel is swallowed. For skin contact, immediately wash with soap and water. For eye contact, immediately flush eyes with clean water.

### **NOISE PRECAUTIONS**



1. **Prolonged exposure to noise levels above 85 dBA is hazardous to hearing.** Always wear ANSI approved hearing protection when operating or working around the Compressor when it is running.

### **MISC. PRECAUTIONS**

1.  **WARNING!** This product contains brass, which is a chemical known to the




State of California to cause cancer and birth defects and other reproductive harm. (*California Health & Safety Code 25249.5, et seq.*)

2.  **WARNING!** People with pacemakers should consult their physician(s) before using this product. Operation of electrical equipment in close proximity to a heart pacemaker could cause interference to or failure of the pacemaker.
3.  **WARNING!** The warnings and precautions discussed in this manual cannot cover all possible conditions and situations that may occur. It must be understood by the operator that common sense and caution are factors which cannot be built into this product, but must be supplied by the operator.

## UNPACKING

When unpacking, check to make sure all the parts shown on the **Parts List on page 16** are included. If any parts are missing or broken, please call Harbor Freight Tools at the number shown on the cover of this manual as soon as possible.

## PRE-OPERATING INSTRUCTIONS

 **CAUTION!** Always make sure the Gasoline Engine's Power Switch is in its "OFF" position prior to performing any service, maintenance, or cleaning of the Compressor or Engine.

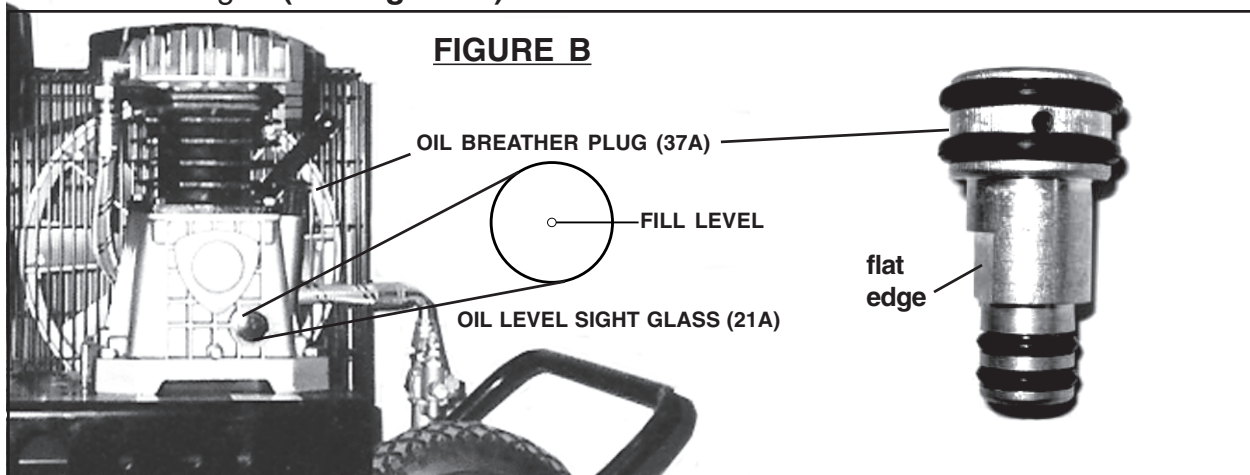
### ***To Add Engine Oil:***

1. **IMPORTANT!** Prior to first using the Compressor, the Engine **MUST** be filled with a high quality 10W-30 grade engine oil.  
**(See Engine manufacturer's manual for complete instructions.)**
2. To do so, *unscrew* and remove the Engine Oil Dipstick. Pour approximately 3/4 quart of engine oil into the Dipstick Hole. **Do not overfill.**
3. Clean the Oil Dipstick. Then screw the Dipstick fully back into the Dipstick Hole. Unscrew and remove the Oil Dipstick again, and observe the level of engine oil on the Dipstick. The oil level should appear between the "**MINIMUM**" and "**MAXIMUM**" indicator marks on the Oil Dipstick.
4. If necessary, continue adding engine oil, while rechecking the Oil Dipstick, until the oil level reaches the "**MAXIMUM**" indicator on the Oil Dipstick.  
**Do not exceed the "MAXIMUM" indicator mark on the Oil Dipstick.**
5. When finished adding engine oil, carefully screw the Oil Dipstick back into the Dipstick Hole.



### **To Add Compressor Oil:**

1. **IMPORTANT!** Prior to first using the Compressor, the Compressor **MUST** be filled with a high quality 30 weight, non-detergent, compressor oil. **(See Figure B.)**
2. To do so, remove the red plastic plug that is covering the oil fill hole. That plastic plug is only used for shipping purposes. Pour approximately 1/2 quart of compressor oil into the Compressor Oil Plug Hole. **Do not overfill. (See Figure B.)**
3. Observe the level of compressor oil through the Compressor's Oil Level Sight Glass (21A). The oil level should be maintained at the center dot in the sight glass. **(See Figure B.)**
4. If necessary, continue adding compressor oil, while rechecking the Compressor's Oil Level Sight Glass (21A), until the oil level reaches the "**MAXIMUM**" mark on the Indicator. **Do not exceed the "MAXIMUM" indicator mark on the Oil Level Sight Glass. (See Figure B.)**
5. When finished adding compressor oil, install the Oil Breather Plug (37A) into the Compressor Oil Plug Hole. The Oil Breather Plug is press-fitted in with the flat edge of the plug facing the cylinder. The large O-rings on top serve as a grip when removing it. **(See Figure B.)**

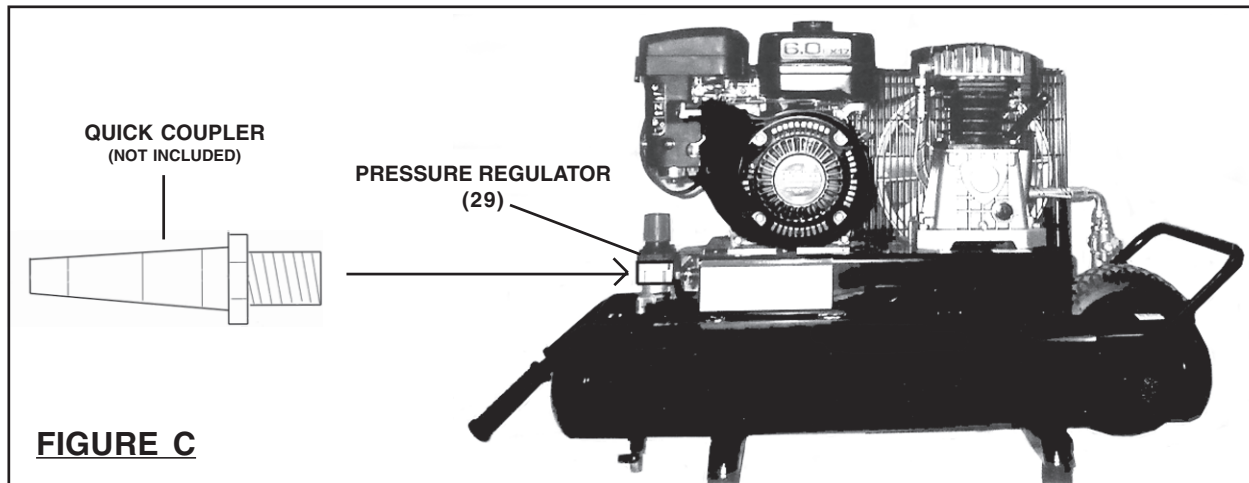


### **To Fill The Fuel Tank:**

1. Prior to first using the Compressor, the Engine's Fuel Tank **MUST** be filled with **unleaded** gasoline. **(See Engine manufacturer's manual.)**
2. To do so, remove the Fuel Tank Cap and fill the Fuel Tank with unleaded gasoline. Then, replace the Fuel Tank Cap. Thereafter, check the Fuel Tank for the amount of unleaded gasoline. When necessary, refill the Fuel Tank. **(See Engine manufacturer's manual.)**

**To Install A Quick Coupler:**

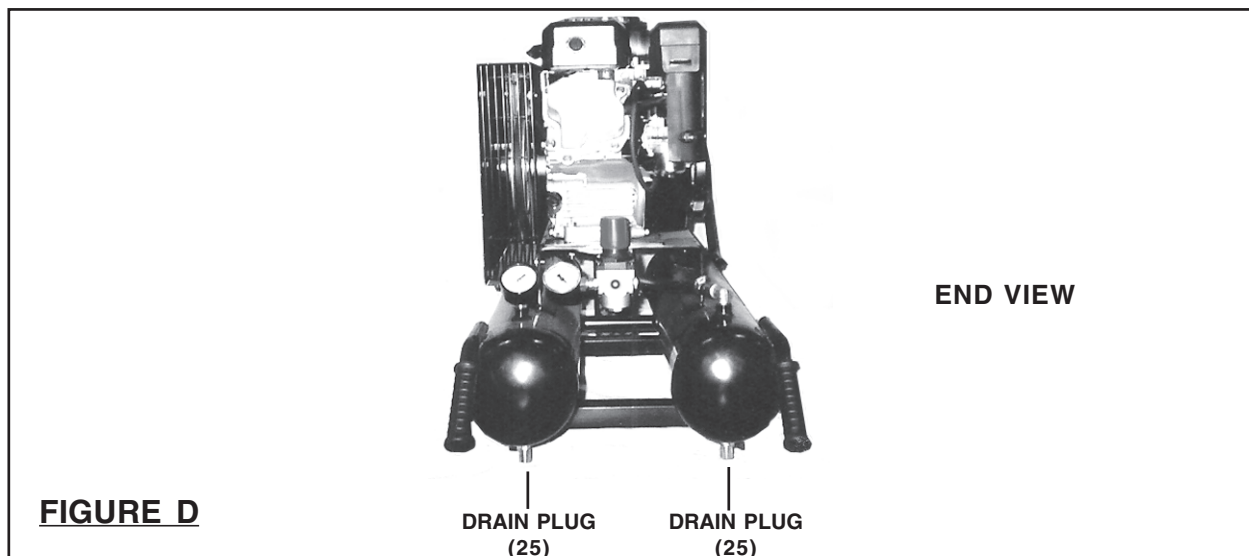
1. Prior to use, the Air Compressor requires the attachment of a *Quick Coupler* (not included) to its Pressure Regulator (29). To do so, make sure the screen Air Filter within the Pressure Regulator is properly seated. Wrap approximately 3" of Pipe Thread Seal Tape (not included) around the male threads of the Quick Coupler. Then, firmly tighten the Quick Coupler into the Pressure Regulator. (See Figure C.)



**OPERATING INSTRUCTIONS**

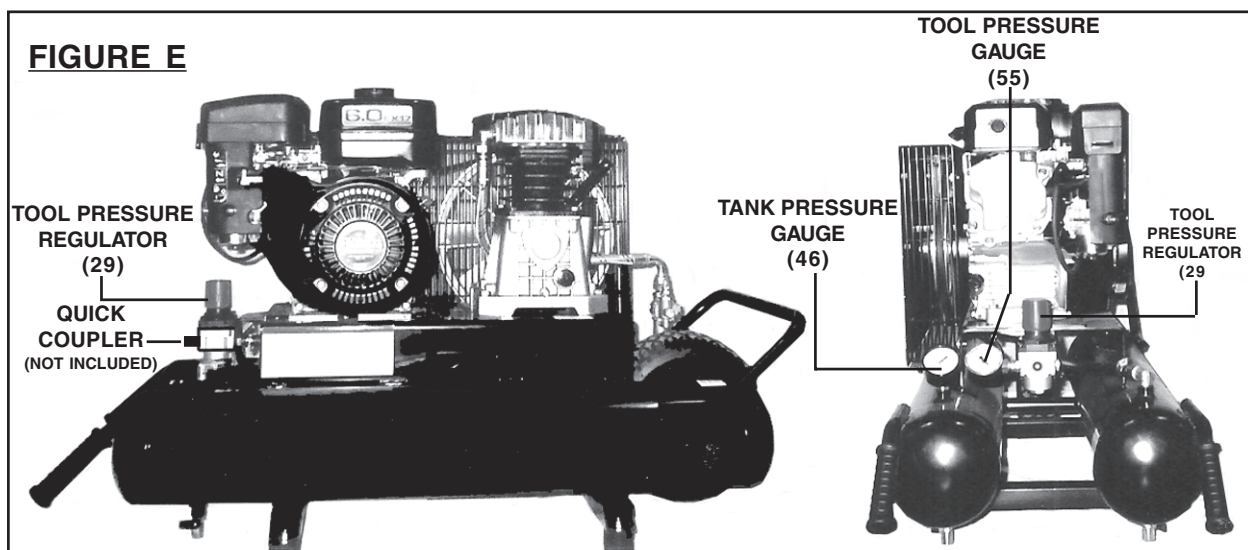
**To Start The Compressor:**

1. Check to make sure the Air Tank's two Drain Plugs (25), located at the bottom of the Air Tanks (12), are fully closed. Check oil level for both the compressor and the engine. (See Figure D.)

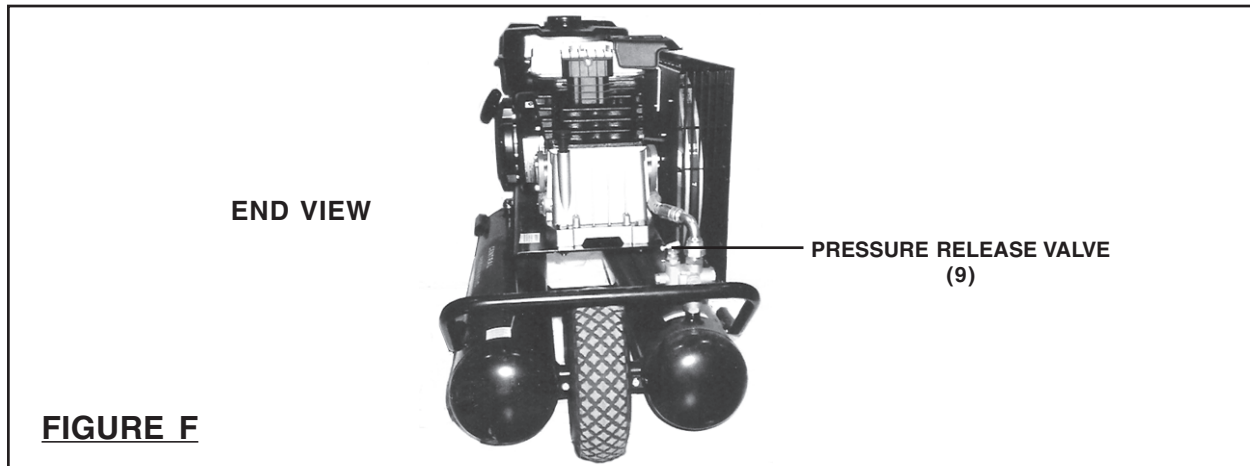


2. Turn the Tool Pressure Regulator (29) counterclockwise completely. **(See Figure E.)**
3. Connect an air hose (not included) to the previously installed Quick Coupler. Then, connect the other end of the air hose to the tool or equipment being powered. **(See Figure E.)**
4. Turn the Engine's Power Switch to its "ON" position. **(See Engine manufacturer's manual.)**
5. Turn the Engine Choke to its "CHOKE" position. **(See Engine manufacturer's manual.)**
6. Pull the Starter Grip briskly one or more times until the Engine begins to run. **(See Engine manufacturer's manual.)**
7. Allow the Engine to run 3-5 minutes for the Engine to warm up. Then, turn the Engine Choke to its "RUN" position. **(See Engine manufacturer's manual.)**
8. **NOTE:** The Compressor will automatically run while the air pressure is less than **145 PSI** as indicated by the Tank Pressure Gauge (46). When the maximum air pressure (**145 PSI**) is reached, the Engine will automatically switch to idle and the Compressor will stop operating. The Compressor and Engine will automatically restart when the air pressure falls below **105 PSI**. **(See Figure E.)**
9. Connect the tool and air hose to the quick coupler. Once the Tank Pressure Gauge (46) reaches *at least* **105 PSI**, gradually turn the Tool Pressure Regulator (29) clockwise until the lowest working air pressure for any attached piece of equipment is reached as indicated by the Tool Pressure Gauge (55). **(See Figure E.)**

**Warning: NEVER exceed the working air pressure of any tool or equipment at any time. Always start the compressor with the regulator adjusted to its lowest setting to prevent tool damage or explosion, resulting in PERSONAL INJURY.**



10. **IMPORTANT:** The Pressure Release Valve (9) is used when decompression is needed quickly and efficiently. To decompress the air pressure in the Tanks (12), turn the Tool Pressure Regulator (29) to its “OFF” position. Then, pull out on the Pressure Release Valve to immediately release air pressure from the Tanks. (See Figures E and F.)

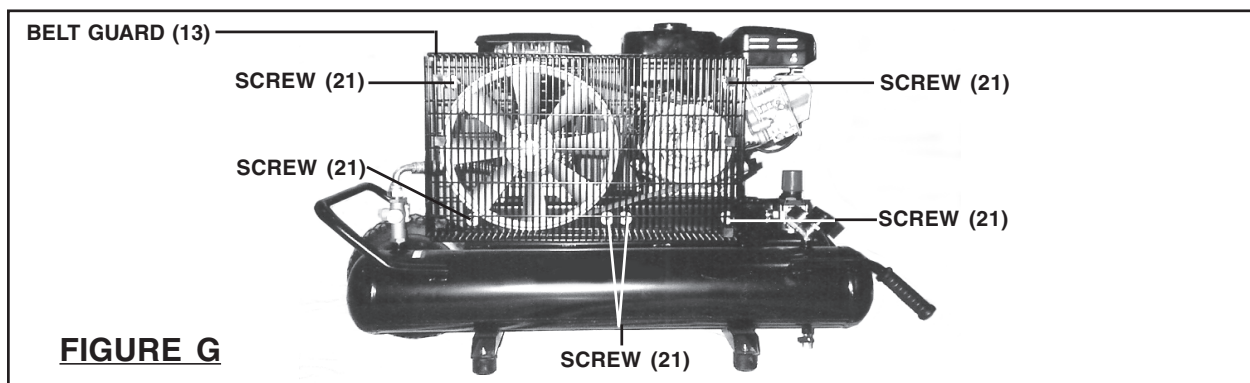


### **To Stop The Compressor:**


1. Turn the Engine's Power Switch to its “OFF” position. (See Engine manufacturer's manual.)
2. Wait for the Compressor to stop pumping air (at idle). Then, turn the Tool Pressure Regulator (29) counterclockwise to its “OFF” position. (See Figure E.)
3. Allow the tool or equipment being powered to continue running until it has expended any remaining compressed air in the tool/equipment and its air hose.
4. Disconnect the air hose from the Quick Connector on the Compressor. Then, disconnect the air hose from the tool/equipment. (See Figure E.)
5. Turn the Tool Pressure Regulator (29) clockwise to its “ON” position to release all air pressure from the Compressor's Tanks (12). Then, turn the Tool Pressure Regulator counterclockwise to its “OFF” position. (See Figure E.)
6. Remove any moisture in the Compressor's Tanks (12) by opening the two Drain Plugs (25). Then, retighten the Drain Plugs. (See Figure D.)
7. Allow the Air Compressor to completely cool. Then store the unit in a clean, dry, safe location out of reach of children and other unauthorized people.

## INSPECTION, MAINTENANCE, AND CLEANING

1. **⚠ WARNING!** Make sure the Power Switch of the Engine is in its “OFF” position. Release all air pressure from the system and disconnect all tools and equipment from the Air Compressor before performing any inspection, maintenance, or cleaning procedures.
2. **Before each use**, inspect the general condition of the Air Compressor. Check for loose screws, misalignment or binding of moving parts, cracked or broken parts, damaged electrical wiring, loose air fittings, and any other condition that may affect the safe operation of the Compressor. If abnormal noise or vibration occurs, have the problem corrected before further use.  
**Do not use damaged equipment.**
3. **Before each use**, check the Engine oil level. If necessary, fill the crankcase of the Engine with the proper amount and type of engine oil. **Refer to the Engine manufacturer’s manual for all inspection, maintenance, and cleaning instructions.**
4. **Before each use**, check the Air Compressor oil level. If necessary, fill with a premium quality, 30-weight, non-detergent, compressor oil. **(See Figure B.)**
5. **Daily:** Empty condensation from the Air Compressor’s Tanks (12). The Tanks should be emptied daily to release all trapped moisture that may cause Air Tank corrosion. Allow sufficient time for all of the condensation to escape from the Tanks. Then, firmly retighten the two Drain Plugs (25). **(See Figure D.)**
6. **Every 500 hours or 12 months**, replace the old compressor oil with new, premium quality, 30-weight, non-detergent, compressor oil. To do so, remove the Screw (36A) located at the base of the Air Compressor. Drain the old oil into a proper container. Then, refill the Air Compressor with new oil. **(See Figure B.)**
7. **To replace the V-Belt:** Unscrew and remove the six Screws (21) that hold the front Belt Guard (13) section to the rear Belt Guard section. Then, remove the



front Belt Guard section. Loosen the four Screws (31) at the base of the Engine. Slide the Engine toward the Air Compressor to loosen tension on the V-Belt (44). Remove the old V-Belt from the Flywheel (39A) and Pulley (37). Install the new V-Belt (**A47/13 x 11.94**) on the Flywheel and Pulley. Then reinstall the front Belt Guard section and secure in place with the six Screws previously removed. **(See Figure G and Assy. Diagram.)**

8. **NOTE:** Always dispose of old Engine oil and old Air Compressor oil in accordance with local, state, and federal regulations.
9.  **CAUTION!** All maintenance, service, or repairs not mentioned in this manual must only be performed by a qualified service technician.

<b>PLEASE READ THE FOLLOWING CAREFULLY</b>
--------------------------------------------

THE MANUFACTURER AND/OR DISTRIBUTOR HAS PROVIDED THE PARTS LIST AND ASSEMBLY DIAGRAM IN THIS MANUAL AS A REFERENCE TOOL ONLY. NEITHER THE MANUFACTURER OR DISTRIBUTOR MAKES ANY REPRESENTATION OR WARRANTY OF ANY KIND TO THE BUYER THAT HE OR SHE IS QUALIFIED TO REPLACE ANY PARTS OF THE PRODUCT. IN FACT, THE MANUFACTURER AND/OR DISTRIBUTOR EXPRESSLY STATES THAT ALL REPAIRS AND PARTS REPLACEMENTS SHOULD BE UNDERTAKEN BY CERTIFIED AND LICENSED TECHNICIANS, AND NOT BY THE BUYER. THE BUYER ASSUMES ALL RISKS AND LIABILITY ARISING OUT OF HIS OR HER REPAIRS TO THE ORIGINAL PRODUCT OR REPLACEMENT PARTS THERETO, OR ARISING OUT OF HIS OR HER INSTALLATION OF REPLACEMENT PARTS THERETO.



## TROUBLESHOOTING - COMPRESSOR

Situation		Cause	Solution
Compressor Will Start	Decrease in air output	<ul style="list-style-type: none"> <li>-Valve site is loose</li> <li>-Valve is damaged</li> <li>-Air filter is dirty</li> <li>-Piston ring is worn out</li> <li>-Clutch set is worn out</li> <li>-Air pipe is jammed</li> </ul>	<ul style="list-style-type: none"> <li>Tighten Valve</li> <li>Replace Valve</li> <li>Replace valve</li> <li>Clean or replace it</li> <li>Replace new ring</li> <li>Replace new set</li> <li>Clean the air pipe</li> </ul>
	High compressor oil consumption	<ul style="list-style-type: none"> <li>-Piston ring is worn out</li> <li>-Piston is worn out</li> <li>-Cylinder is worn out</li> </ul>	<ul style="list-style-type: none"> <li>Replace new ring</li> <li>Replace new piston</li> <li>Replace new cylinder</li> </ul>
	Incorrect reading from the pressure gauge	<ul style="list-style-type: none"> <li>-Pressure gauge is worn out or damaged</li> </ul>	<ul style="list-style-type: none"> <li>Replace new pressure gauge</li> </ul>
	Cannot reach maximum air pressure point	<ul style="list-style-type: none"> <li>-Air leakage in the valve</li> <li>-Valve is not functioning properly</li> <li>-Valve is dirty</li> <li>-Safety Valve is leaking</li> <li>-Air pipe is leaking</li> <li>-Piston ring is worn out</li> <li>-Packing or gasket is not installed properly</li> </ul>	<ul style="list-style-type: none"> <li>Adjust or replace it</li> <li>Replace new valve</li> <li>Clean the valve</li> <li>Tighten or replace it</li> <li>Replace new air pipe</li> <li>Replace new ring</li> <li>Adjust or replace it</li> </ul>
Compressor will not Start	The engine operates, but no movement at the compressor.	<ul style="list-style-type: none"> <li>-Clutch set is worn out</li> <li>-Gear box is worn out or damaged</li> <li>-Compressor is jammed</li> </ul>	<ul style="list-style-type: none"> <li>Replace new set</li> <li>Adjust or replace it</li> <li>Adjust or replace it</li> </ul>



## PARTS LIST

Part #	Description	Qty.	Part #	Description	Qty.
1	Screw (M8 x 40)	2	30	Hose Clamp	2
2	Lock Nut (M6)	2	31	Screw (M8 x 45)	4
3	Lock Nut (M8)	4	32	Joint	2
4	Pneumatic Accelerator	1	33	Pressure Release Valve	1
5	Wheel	1	34	Washer (#8)	4
6	Wheel Pin	1	35	Screw	1
7	Inlet Tube	1	36	Washer (#24)	1
8	Tube	1	37	Pulley (#145)	1
9	Pressure Release Valve	1	38	Screw (M6 x 50)	1
10	Screw (M8 x 40)	4	39	Screw (M8 x 16)	1
11	Belt Guard Wedge	6	40	Belt Guard Support	1
12	Tank	1	41	Spacer	1
13	Belt Guard	1	42	Gasoline Engine	1
14	Lock Nut	4	43	Pumping Unit	1
15	Washer (#6)	4	44	Belt (A47)	1
16	Rubber Foot	4	45	Belt Guard Plate	1
17	Washer (#6 x 18 x 1.5)	4	46	Tank Pressure Gauge	2
18	Screw (M6 x 35)	4	47	Joint	2
19	Washer (#6)	4	48	Support	1
20	Nut (M6)	4	49	Hose Tail Fitting	2
21	Screw (M5 x 12)	8	50	Joint	1
22	Screw (4.2 x 45)	1	51	Joint	1
23	Washer (#6 x 18 x 1.5)	8	52	Spacer	1
24	Washer (#5)	1	53	Tap	2
25	Drain Plug	1	54	Joint	1
26	Rubber Handle	1	55	Tool Pressure Gauge	1
27	Joint	1	56	Handle	2
28	Rubber Hose	2	57	Screw (M8 x 12)	4
29	Pressure Regulator	1	58		

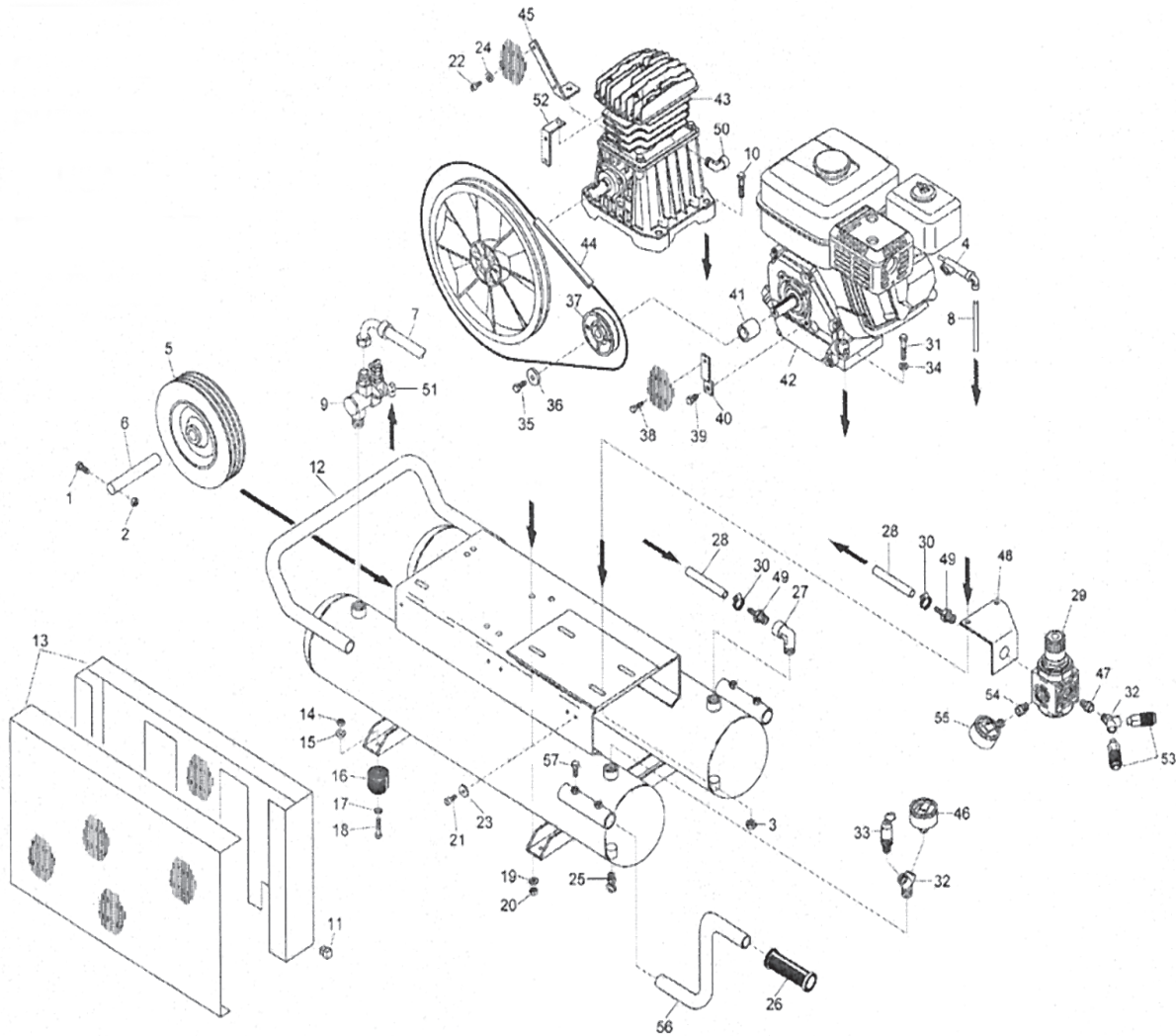
## PARTS LIST - CONT.

Part #	Description	Qty.	Part #	Description	Qty.
1A	Crankcase	1	21A	Oil Level Sight Glass	1
2A	Crankcase Cover	1	22A	"OR" Gasket	1
3A	Screw	4	23A	Gasket	1
4A	"OR" Gasket	1	24A	Valve Plate	2
5A	Crankshaft	1	25A	Gasket	1
6A	Bearing	1	26A	Valve	4
7A	Bearing	1	27A	Gasket	1
8A	Oil Seal	1	28A	Head	1
9A	Front Cover	1	29A	Filter Plate	1
10A	Rear Cover	1	30A	Filter Element	1
11A	"OR" Gasket	1	31A	Intake Filter	1
12A	Screw	6	32A	Screw	1
13A	Key	1	33A	Screw	6
14A	Connection Rod	2	34A	Air Conveyor	1
15A	Piston Pin	2	35A	Screw	2
16A	Piston	2	36A	Screw	1
17A	Piston Ring	2	37A	Oil Breather Plug	1
17AA	Piston Ring	2	38A	Washer	1
17B	Piston Ring	2	39A	Flywheel	1
18A	Seeger	4	40A	Screw	1
19A	Cylinder	1	41A	Star Washer	1
20A	Screw	4	100A*	Gasket Set	1

\*Parts #23A, #24A, #25A, & #26A must be ordered as a complete set: #100A Gasket Set.

**NOTE:**  
Some parts are listed and shown for illustration purposes only, and are not available individually as replacement parts.

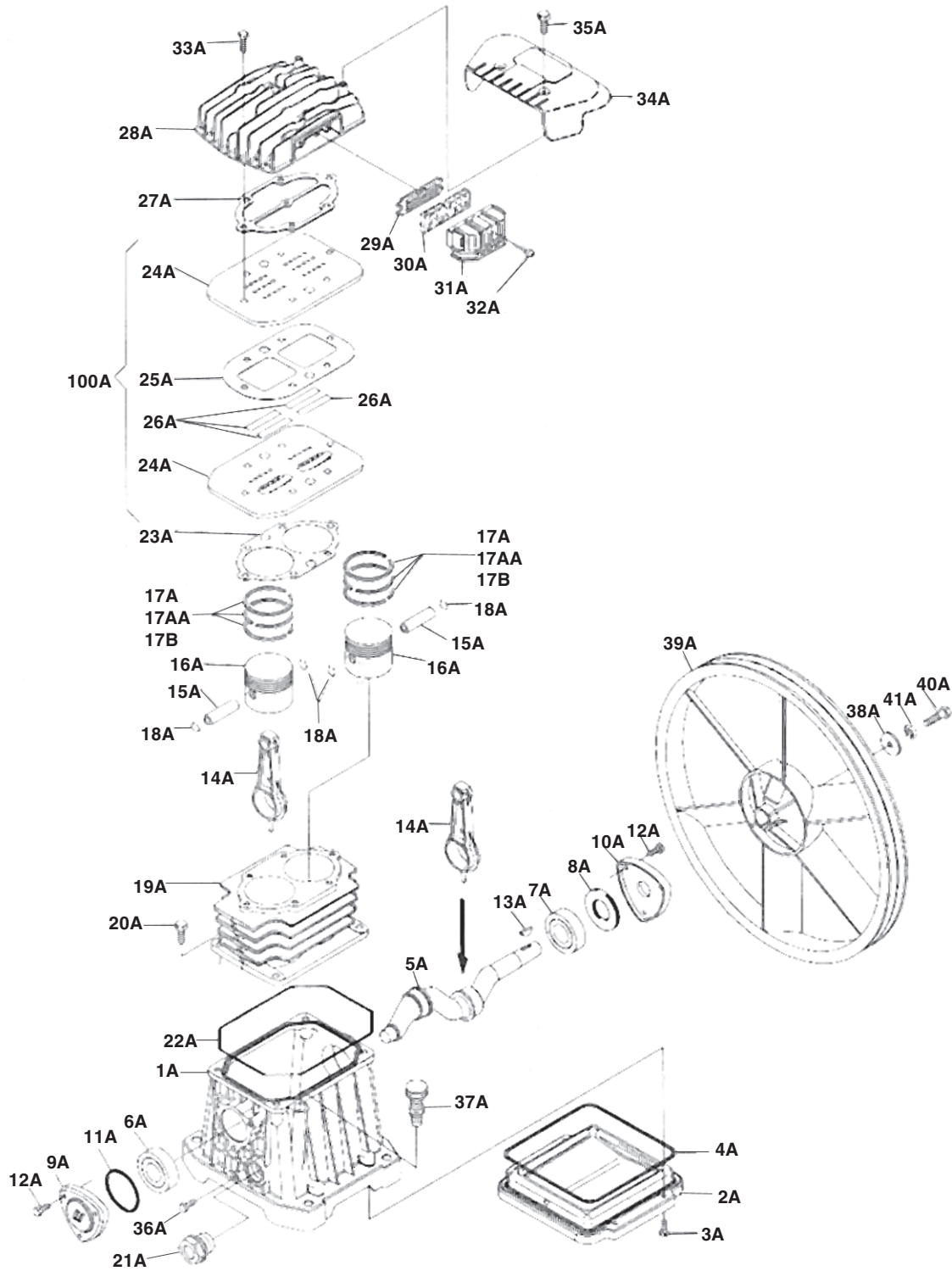
# ASSEMBLY DIAGRAM



**NOTE:**

Some parts are listed and shown for illustration purposes only, and are not available individually as replacement parts.

## ASSEMBLY DIAGRAM - CONT.



**NOTE:**

Some parts are listed and shown for illustration purposes only, and are not available individually as replacement parts.



**U.S. General**®

★ *Air Superiority* ★

**LIMITED 2 YEAR  
WARRANTY**

Harbor Freight Tools Co. makes every effort to assure that its products meet high quality and durability standards, and warrants to the original purchaser that this product is free from defects in materials and workmanship for the period of two years from date of purchase (90 days if used by a professional contractor or if used as rental equipment). See engine manufacturer's warranty which covers engine.

This warranty does not apply to damage due directly or indirectly, to misuse, abuse, negligence or accidents, repairs or alterations outside our facilities, or to lack of maintenance. We shall in no event be liable for death, injuries to persons or property, or for incidental, contingent, special or consequential damages arising from the use of our product. Some states do not allow the exclusion or limitation of incidental or consequential damages, so the above limitation of exclusion may not apply to you. THIS WARRANTY IS EXPRESSLY IN LIEU OF ALL OTHER WARRANTIES, EXPRESS OR IMPLIED, INCLUDING THE WARRANTIES OF MERCHANTABILITY AND FITNESS.

To take advantage of this warranty, the product or part must be returned to us with transportation charges prepaid. Proof of purchase date and an explanation of the complaint must accompany the merchandise. If our inspection verifies the defect, we will either repair or replace the product at our election or we may elect to refund the purchase price if we cannot readily and quickly provide you with a replacement. We will return repaired products at our expense, but if we determine there is no defect, or that the defect resulted from causes not within the scope of our warranty, then you must bear the cost of returning the product.

This warranty gives you specific legal rights and you may also have other rights which vary from state to state.

**3491 Mission Oaks Blvd. • PO Box 6009 • Camarillo, CA 93011 • (800) 444-3353**

## Free Manuals Download Website

<http://myh66.com>

<http://usermanuals.us>

<http://www.somanuals.com>

<http://www.4manuals.cc>

<http://www.manual-lib.com>

<http://www.404manual.com>

<http://www.luxmanual.com>

<http://aubethermostatmanual.com>

Golf course search by state

<http://golfingnear.com>

Email search by domain

<http://emailbydomain.com>

Auto manuals search

<http://auto.somanuals.com>

TV manuals search

<http://tv.somanuals.com>