

CENTRAL PNEUMATIC®

AIR COMPRESSOR

6.5 HP / 8 GAL. / GASOLINE POWERED

Model 90749

ASSEMBLY AND OPERATING INSTRUCTIONS



3491 Mission Oaks Blvd., Camarillo, CA 93011
Visit our Web site at <http://www.harborfreight.com>

Copyright© 2003 by Harbor Freight Tools®. All rights reserved. No portion of this manual or any artwork contained herein may be reproduced in any shape or form without the express written consent of Harbor Freight Tools.

For technical questions, please call 1-800-444-3353.

Revised Cover Page 10/04

PRODUCT SPECIFICATIONS

Item	Description
Air Tank Capacity	8 Gallons
Air Tank Design	Wheelbarrow Dual Tank System
Maximum Air PSI	115 PSI
Cubic Feet Per Minute Rating	10.3 CFM @ 40 PSI / 8.5 CFM @ 90 PSI
Air Outlet Size	3/8" NPT
Tank Drain Valve Design	Duel Bottom Tank Bleeders
Automatic Compressor Shut-Off	Yes, At 115 PSI
Compressor Cylinder/Crankshaft Construction	Cast Iron
Wheel Size / Type	10", 4.10/8.5-4, Pneumatic
Power Source	6.5 HP Briggs & Stratton® Intek® Gasoline Engine Engine Displacement: 206cc Recoil Start

SAVE THIS MANUAL

You will need this manual for the safety warnings and precautions, assembly, operating, inspection, maintenance and cleaning procedures, parts list and assembly diagram. Keep your invoice with this manual. Write the invoice number on the inside of the front cover. Keep this manual and invoice in a safe and dry place for future reference.

GENERAL SAFETY WARNINGS AND PRECAUTIONS

Never use compressed air on yourself or another to blow off clothing, skin or hair.

1. **KEEP WORK AREA CLEAN AND DRY.** Cluttered, damp, or wet work areas invite injuries.
2. **KEEP CHILDREN AWAY FROM WORK AREA.** Do not allow children to handle this product.
3. **STORE IDLE EQUIPMENT.** When not in use, tools and equipment should be stored in a dry location to inhibit rust. Always lock up tools and equipment, and keep out of reach of children.
4. **DO NOT USE THIS PRODUCT IF UNDER THE INFLUENCE OF ALCOHOL OR DRUGS.** Read warning labels on prescriptions to determine if your judgement or reflexes are impaired while taking drugs. If there is any doubt, do not attempt to use this product.

5. **USE EYE AND HAND PROTECTION.** Wear ANSI approved safety impact eye goggles and heavy-duty work gloves when using this product. ANSI approved safety impact eye goggles and heavy-duty work gloves are available from Harbor Freight Tools.
6. **DRESS SAFELY.** Do not wear loose clothing or jewelry, as they can become caught in moving parts. Wear a protective hair covering to prevent long hair from becoming caught in moving parts. If wearing a long-sleeve shirt, roll sleeves up above elbows.
7. **DO NOT OVERREACH.** Keep proper footing and balance at all times to prevent tripping, falling, back injury, etcetera.
8. **INDUSTRIAL APPLICATIONS MUST FOLLOW OSHA REQUIREMENT.**
9. **STAY ALERT.** Watch what you are doing at all times. Use common sense. Do not use this product when you are tired or distracted from the job at hand.
10. **CHECK FOR DAMAGED PARTS.** Before using this product, carefully check that it will operate properly and perform its intended function. Check for damaged parts and any other conditions that may affect the operation of this product. Replace or repair damaged or worn parts immediately.
11. **REPLACEMENT PARTS AND ACCESSORIES:** When servicing, use only identical replacement parts. Only use accessories intended for use with this product. Approved accessories are available from Harbor Freight Tools.
12. **MAINTAIN THIS PRODUCT WITH CARE.** Keep this product clean and dry for better and safer performance.
13. **MAINTENANCE:** For your safety, service and maintenance should be performed regularly by a qualified technician.
14. **USE THE RIGHT TOOL FOR THE JOB.** Do not attempt to force a small tool or attachment to do the work of a larger industrial tool. There are certain applications for which this tool was designed. It will do the job better and more safely at the rate for which it was intended. Do not modify this tool, and do not use this tool for a purpose for which it was not intended.
15. **WARNING:** The warnings, precautions, and instructions discussed in this manual cannot cover all possible conditions and situations that may occur. The operator must understand that common sense and caution are factors, which cannot be built into this product, but must be supplied by the operator.

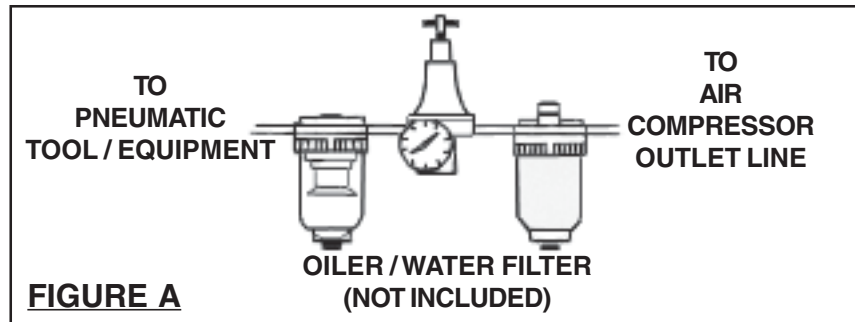
SPECIFIC PRODUCT WARNINGS AND PRECAUTIONS

1. **MAINTAIN A SAFE WORKING ENVIRONMENT.** Keep the work area well lit. Make sure there is adequate surrounding workspace. Always keep the work area free of obstructions, grease, oil, trash, and other debris. Do not use the Air Compressor in areas near flammable chemicals, dusts, and vapors.

2. **ALWAYS DISCONNECT THE AIR COMPRESSOR FROM ITS ELECTRICAL POWER SUPPLY SOURCE, RELEASE ITS AIR PRESSURE, AND DISCONNECT ALL PNEUMATIC TOOLS FROM THE MACHINE BEFORE PERFORMING ANY SERVICES OR MAINTENANCE.**
3. **WARNING:** Make sure to fill the Air Compressor with a premium quality, 30-weight, non-detergent, compressor oil before each use. **Running the Air Compressor with no oil or low oil will cause damage to the equipment and void the warranty.** **Note:** Optimal capacity of the oil reservoir is 21.5 ounces.
4. **MAKE SURE ALL TOOLS AND EQUIPMENT USED WITH THE AIR COMPRESSOR ARE RATED TO THE APPROPRIATE PSI CAPACITY.** Do not use any tool or equipment that operates over 115 PSI.
5. **DRAIN AIR COMPRESSOR EVERY DAY.** Do not allow moisture to build up inside the Air Tanks (31). Do not allow the Air Compressor to sit pressurized for longer than one hour.
6. **DO NOT REMOVE THE FACTORY SEALED PRESSURE RELIEF VALVE (13).**
7. **DO NOT OPEN THE AIR COMPRESSOR TANKS' DRAIN PLUGS SO THAT MORE THAN FOUR THREADS ARE SHOWING.**
8. **THE AIR COMPRESSOR TANKS' SAFETY VALVE (42) SHOULD NOT BE ADJUSTED.** This Valve automatically releases air if the Tank pressure exceeds the preset maximum.
9. **NEVER ATTEMPT TO REPAIR OR MODIFY THE AIR TANKS (31).** Welding, drilling, or any other modification will weaken the Tanks, resulting in damage from rupture or explosion. Always replace worn, cracked, or damage Tanks.
10. **NEVER OPERATE THE AIR COMPRESSOR WITHOUT ITS SAFETY COVER (31) ATTACHED AND IN GOOD WORKING ORDER.** Air Compressor scan start automatically without warning. Personal injury and/or property damage could result from contact with moving parts.
11. **THE AIR COMPRESSOR PARTS MAY BE HOT EVEN IF THE UNIT IS STOPPED.** Keep fingers away from the running Air Compressor. Fast moving and hot parts will cause injury and/or burns.
12. **DO NOT SPRAY FLAMMABLE MATERIALS IN THE VICINITY OF AN OPEN FLAME OR NEAR IGNITION SOURCES INCLUDING THE AIR COMPRESSOR UNIT.** Do not direct paint or other sprayed materials at the Air Compressor. Locate the Air Compressor as far away from the spraying area as possible to minimize overspray and accumulation on the Air Compressor. Use a face mask/ respirator when spraying, and spray in a well ventilated area to prevent health and fire hazards. Do not smoke when spraying paint, insecticides, or other flammable substances. When spraying or cleaning with solvents or toxic chemicals, follow the instructions provided by the chemical manufacturer.

13. **GASOLINE FUEL AND FUMES ARE FLAMMABLE, AND POTENTIALLY EXPLOSIVE.** Use proper fuel storage and handling procedures. Always have several ABC Class fire extinguishers nearby.
14. **KEEP THE AIR COMPRESSOR AND SURROUNDING AREA'S CLEAN AT ALL TIMES.**
15. **REFILL THE ENGINE WITH GASOLINE OUTDOORS OR ONLY IN WELL VENTILATED AREAS.** Do not store, spill, or use gasoline near an open flame or heat devices such as a stove, furnace, or water heater which utilize a pilot light or any device that can produce a spark.
16. **DO NOT REFILL THE ENGINE WITH GASOLINE WHILE THE ENGINE IS RUNNING OR HOT.**
17. **WHEN SPILLS OF FUEL OR OIL OCCUR, THEY MUST BE CLEANED UP IMMEDIATELY.** Dispose of fluids and cleaning materials as per all local, state, and federal codes and regulations. Store oil rags in a covered metal container.
18. **DO NOT OPERATE THE AIR COMPRESSOR WITH KNOWN LEAKS IN THE FUEL SYSTEM.**
19. **NEVER STORE FUEL OR OTHER FLAMMABLE MATERIALS NEAR THE AIR COMPRESSOR.**
20. **WARNING! CARBON MONOXIDE CAN CAUSE SEVERE NAUSEA, FAINTING, OR DEATH. DO NOT OPERATE THE AIR COMPRESSOR INSIDE A CLOSED BUILDING OR A POORLY VENTILATED AREA.**
21. **FIRE AND EXPLOSION DANGER. AVOID CONTACT WITH HOT FUEL, OIL, AND EXHAUST FUMES.**
22. **PROLONGED EXPOSURE TO NOISE LEVELS ABOVE 85 dBA IS HAZARDOUS TO HEARING. ALWAYS WEAR ANSI APPROVED HEARING PROTECTION WHEN OPERATING OR WORKING NEAR THE AIR COMPRESSOR WHEN IT IS RUNNING.**
23. **ALWAYS FOLLOW AND COMPLETE SCHEDULED AIR COMPRESSOR AND ENGINE MAINTENANCE.**
24. **CAUTION! THE AIR COMPRESSOR CONTAINS NO AIR COMPRESSOR OIL.** Follow lubrication instructions before operating the Air Compressor.
25. **CAUTION! THE GASOLINE ENGINE (5) CONTAINS NO ENGINE OIL.** Refer to the engine manufacturer's lubrication instructions before operating the Engine.
26. **WHEN CHECKING THE ENGINE'S OIL LEVEL:** Make sure to unscrew (do not pull) the Dip Stick out.

27. **TO EXTEND THE LIFE OF YOUR AIR TOOLS AND EQUIPMENT**, it is recommended to install an **Oiler/Water Filter** (not included) in series with the *Air Output Line* of the Air Compressor. **(See Figure A.)**



28. **MAKE SURE TO READ AND UNDERSTAND ALL INSTRUCTIONS AND SAFETY PRECAUTIONS AS OUTLINED IN THE BRIGGS & STRATTON[®] GASOLINE ENGINE USER MANUAL.**
29. **WARNING! MAKE SURE TO TURN OFF THE GASOLINE ENGINE, RELEASE ALL PRESSURE FROM THE SYSTEM, AND ALLOW THE UNIT TO COMPLETELY COOL BEFORE PERFORMING ANY INSPECTION, MAINTENANCE, OR CLEANING PROCEDURES ON THE UNIT.**
30. **WARNING:** This product contains or produces a chemical known to the State of California to cause cancer and birth defects (or other reproductive harm).
(California Health & Safety Code § 25249.5 et seq.)

UNPACKING

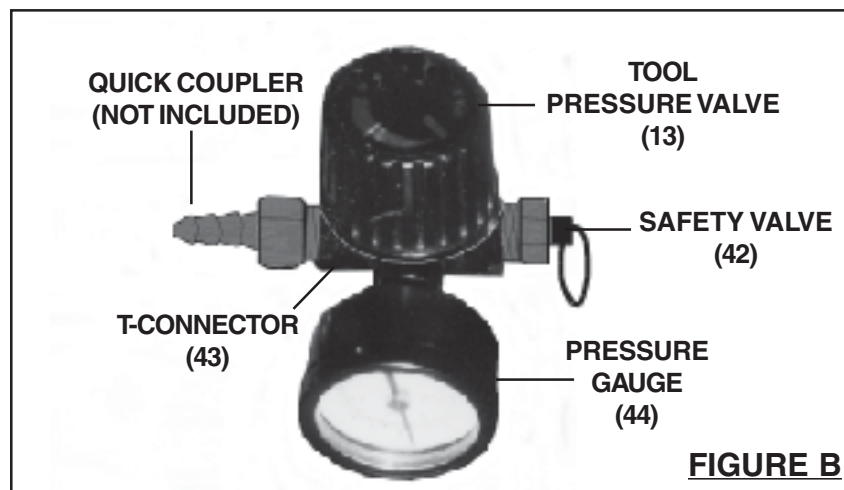
When unpacking, check to make sure all the parts shown on the **Parts List on page 12 and 13** are included. If any parts are missing or broken, please call Harbor Freight Tools at the number shown on the cover of this manual as soon as possible.

ASSEMBLY INSTRUCTIONS

NOTE: For additional references to the parts listed in the following pages, refer to the **Assembly Diagram on page 12 and 13.**

Note: The only assembly required is as follows.

- A. Put on front Tire (35): An Washer (37) goes on each side of Tire and Axle (36) fits through hub of wheel. Insert Pin Lock (38) to keep wheel in place. Front Axle fits into Wheel Brackets (50) and is secured in place by two Bolts (part #41) with Washer (40), which are threaded into the hole in each Wheel Bracket.
 - B. Each Handle (24) fits into the Handle Bracket (45) on the side of the Air Tank (31). Secure each Handle in place with 2 Washer/Screw combinations (29 and 30). After assembly is complete test the roll-ability of the Air Compressor. Make sure Front Wheel rolls properly, with no wobble. Make sure the Handles are securely in place.
1. Prior to using, the Air Compressor requires the attachment of a 3/8" NPT Quick Coupler (not included) to the T-Connector (43) of the Pressure Gauge (44). To do so, wrap approximately 4" of thread seal tape (not included) around the male threads of the Quick Coupler. Then, wrench tighten the Quick Coupler into the "T" Connector. **(See Figure B.)**

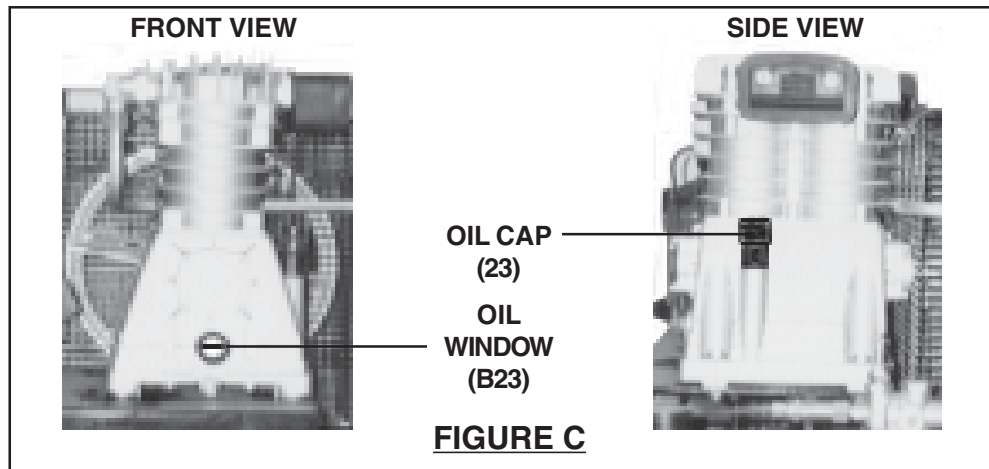


OPERATING INSTRUCTIONS

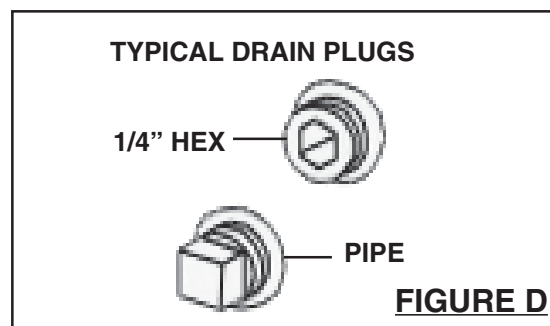
1. **CAUTION: ALWAYS** make sure the Air Compressor is filled to the proper level with a *premium quality, 30-weight, non-detergent compressor oil* prior to turning on the machine. Failure to do so will result in damage to the Air Compressor and void its warranty.
2. To check the level of oil in the Air Compressor, observe the Oil Window (B23) located on the Crank Shaft Case (16). *Proper oil level is indicated when*

the oil appears in the *middle of the circle* in the Oil Sight Gauge. (See Figure C.)

3. If the oil level is below the middle of the circle in the Oil Window (B23), **UN-SCREW (do not pull)** the Oil Cap (23) out of the Oil Fill Hole. Next, add oil into the Oil Fill Hole until the level of oil reaches the middle of the circle as indicated in the Oil Window. **Do not overfill.** Note: Optimal capacity of the oil reservoir is **21.5 ounces**. Then screw the Oil Cap back onto the Oil Fill Hole, being careful not to strip the plastic threads. (See Figure C.)



4. **CAUTION: ALWAYS** make sure the crankcase of the Gasoline Engine (5) is filled to the proper level with a *premium quality, 30-weight, non-detergent engine oil* prior to starting the engine. Failure to do so will result in damage to the Air Compressor and void its warranty. Refer to the engine manufacturer's instruction manual for further information.
5. Check to make sure the Drain Plugs on both Air Tanks (31) are fully closed. (See Figures D, and E.)



6. Turn the Tool Pressure Valve (13) **clockwise** all the way to allow compressed air to build up in the Air Tanks (31). (See Figure B.)

7. Connect the air hose (not provided) to the previously installed 3/8" NPT Quick Coupler on the Air Outlet Line. Then, connect the other end of the air hose to the pneumatic tool or equipment (not provided) that is to be used.
8. Start the Gasoline Engine (5). Refer to the Gasoline Engine manufacturer's instruction manual for further information.
9. Allow sufficient time for the Air Tanks' Pressure Gauge (27) to indicate at least **80 PSI** before using the Air Compressor. **(See Figure I.)**

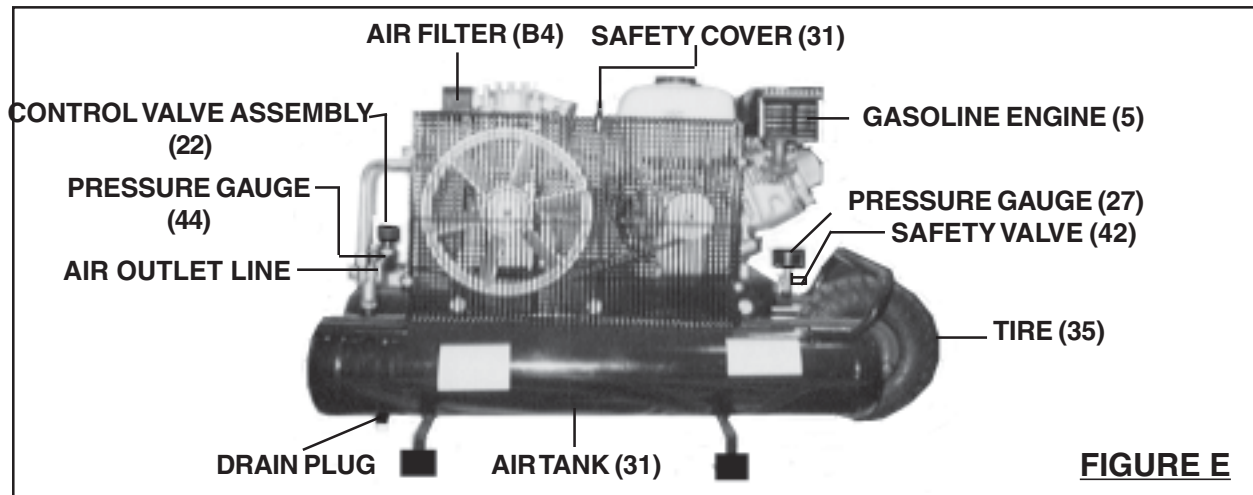


FIGURE E

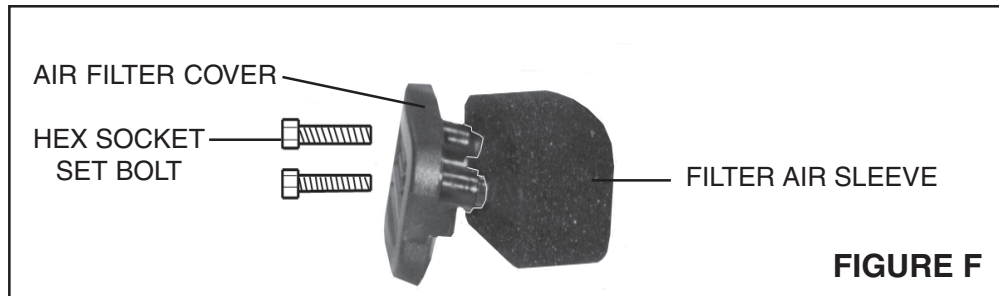
10. Turn the Control Valve Assembly (22) **counterclockwise** to allow air to the pneumatic tool. **(See Figures B, and E.)**
11. **NOTE:** When adjusting the air pressure being forwarded to the pneumatic tool, you will need to compare the pressure readings of both the Tanks' Pressure Gauge (27) and the outlet Pressure Gauge (44). The reading on the Tanks' Pressure Gauge dictates the *maximum* air pressure at which the outlet Pressure Gauge may be set. **(See Figure E.)**
12. With the Air Compressor running, and the air hose and pneumatic tool hooked up to the Air Compressor, turn the Control Valve Assembly (22) **counterclockwise to increase** the air output to the tool, up to the maximum rated pressure (115 PSI) as indicated on the Tanks' Pressure Gauge (27). **(See Figure E.)** In any case never exceed the pressure rating of the hose or tool connected to compressor.
13. Turn the Control Valve Assembly (22) **clockwise to decrease** the air output to the tool, down to the minimum rated pressure (0 PSI) as indicated on the Tanks' Pressure Gauge (27). **(See Figure E.)**
14. The Safety Valve (42) is used when decompression is needed quickly and efficiently. **(See Figure B.)**

15. In the event fast decompression of the Air Tanks (39) is required, immediately turn off the Gasoline Engine (part #5) and pull out on the *Pull Ring* of the Safety Valve (42) until both Air Tanks have fully decompressed. **(See Figures B, and E.)**
16. Pull out on the Safety Valve (42) to immediately release air pressure in the Air Tanks (31). **(See Figure I.)**
17. When finished using the Air Compressor, turn off the Gasoline Engine (5), and pull out on the Pull Ring of the Safety Valve (42) until both Air Tanks (31) have fully decompressed. **(See Figures B, and E.)**

INSPECTION, MAINTENANCE, AND CLEANING

1. **CAUTION!** Always **release all pressure from the system and disconnect all tools** from the Air Compressor before performing any inspection, maintenance, or cleaning. Be aware that the sudden release of air from any valve or air tool can present a danger to one's ears.
2. **BEFORE EACH USE**, inspect the general condition of the Air Compressor. Check all air fittings for leaks. Check for loose screws, misalignment or binding of moving parts, cracked or broken parts, damaged, and any other condition that may affect the safe operation of this tool. If abnormal noise or vibration occurs, immediately release all pressure from the system and have the problem corrected before further use. **Do not use damaged equipment.**
3. **DAILY: EMPTY CONDENSATION FROM THE AIR TANKS (31).** The Drain Plugs are located underneath each Air Tank, and should be used daily to release all trapped moisture that may cause Air Tank corrosion. Slowly and carefully unscrew (**no more than four threads**) the Drain Plugs until the condensation begins to be released from the Air Tanks. Allow sufficient time for all of the condensation to escape from the Air Tanks. Then, firmly retighten the Drain Plugs. **(See Figure E.)**
4. **DAILY: Check the Air Compressor oil level. If necessary, fill with a premium quality, 30-weight, non-detergent, compressor oil. NOTE: When checking the Air Compressor oil level, make sure to unscrew (do not pull) the Oil Cap (23).**
5. **EVERY 100 HOURS OF USE:** Clean the Air Filter (B4) with a mild solvent. Then, dry and reattach the Air Filter Sleeve. (Replace the Air Filter Sleeve if it is too dirty to properly clean.) To clean or replace the Air Filter Sleeve, remove the two Hex Socket Set Bolts. Remove the Air Filter Cover. Remove the Air Filter Sleeve and clean. Then, replace the Air Filter Sleeve and two Hex Socket Set Bolts. **(See Figures E, and F.)**

REV 02/04



6. **EVERY 500 HOURS OR 12 MONTHS:** Replace the old compressor oil with new, premium quality, 30-weight, non-detergent, compressor oil.
7. **TO CLEAN**, wipe the Air Compressor with a damp cloth, using a mild detergent or mild solvent.
8. **WHEN STORING**, Keep the Air Compressor in a clean, dry location.
9. **FOR ALL GASOLINE ENGINE (25) INSPECTION, MAINTENANCE, AND CLEANING INSTRUCTIONS REFER TO THE MANUFACTURER'S MANUAL.**

PLEASE READ THE FOLLOWING CAREFULLY

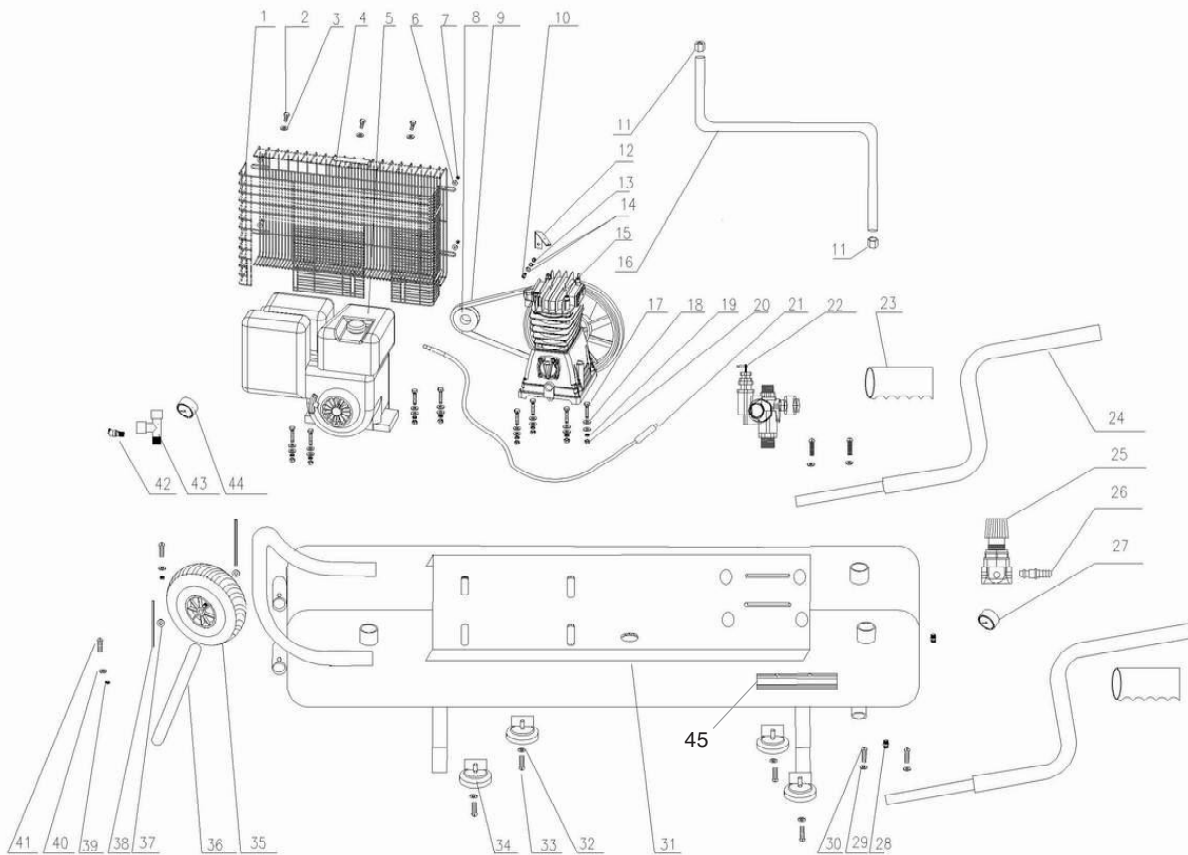
THE MANUFACTURER AND/OR DISTRIBUTOR HAS PROVIDED THE PARTS LIST AND ASSEMBLY DIAGRAM IN THIS MANUAL AS A REFERENCE TOOL ONLY. NEITHER THE MANUFACTURER OR DISTRIBUTOR MAKES ANY REPRESENTATION OR WARRANTY OF ANY KIND TO THE BUYER THAT HE OR SHE IS QUALIFIED TO MAKE ANY REPAIRS TO THE PRODUCT, OR THAT HE OR SHE IS QUALIFIED TO REPLACE ANY PARTS OF THE PRODUCT. IN FACT, THE MANUFACTURER AND/OR DISTRIBUTOR EXPRESSLY STATES THAT ALL REPAIRS AND PARTS REPLACEMENTS SHOULD BE UNDERTAKEN BY CERTIFIED AND LICENSED TECHNICIANS, AND NOT BY THE BUYER. THE BUYER ASSUMES ALL RISK AND LIABILITY ARISING OUT OF HIS OR HER REPAIRS TO THE ORIGINAL PRODUCT OR REPLACEMENT PARTS THERETO, OR ARISING OUT OF HIS OR HER INSTALLATION OF REPLACEMENT PARTS THERETO.

PARTS LIST

Part #	Description	Part #	Description	Part #	Description
1	Belt Guard Inner	16	Air Tube	31	Air Tank
2	Screw	17	Bolt	32	Nut
3	Washer	18	Flat Washer	33	Bolt
4	Belt Guard Outer	19	Spring Washer	34	Rubber Foot
5	Gasoline Engine *	20	Nut	35	Pneumatic Tire
6	Washer	21	Control Wire	36	Axle
7	Nut	22	Control Valve Assembly	37	Washer
8	Belt Pulley (Engine)	23	Handle Grip	38	Lock Pin
9	Belt	24	Handle	39	Spring Washer
10	Bolt	25	Air Pressure Regulator	40	Flat Washer
11	Nut	26	Hose Connector (output)	41	Bolt
12	Support Bar	27	Pressure Gauge (output)	42	Safety Valve
13	Nut	28	Water Drainer	43	T-Connector
14	Washer	29	Washer	44	Pressure Gauge (Tank)
15	Compressor Pump	30	Screw	45	Handle Bracket

* See Briggs & Stratton Engine Parts List and Assembly Diagram for available replacement parts.

ASSEMBLY DIAGRAM

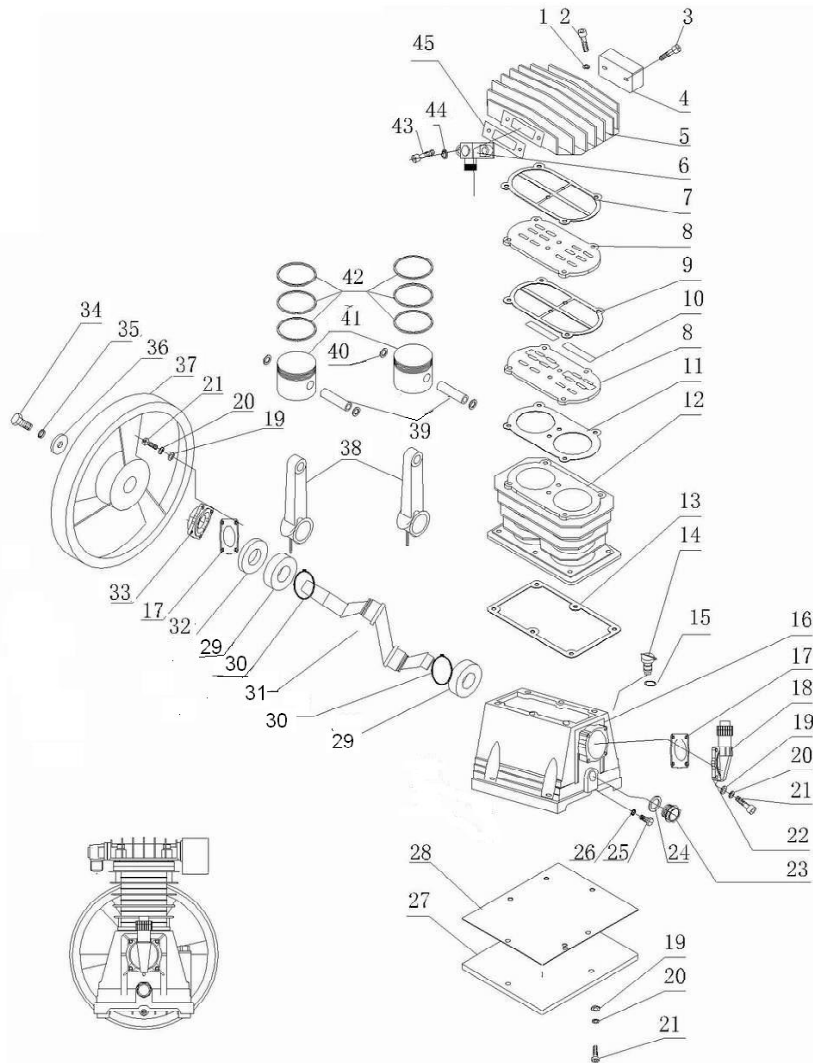


NOTE: Some parts are listed and shown for illustration purposes only, and are not available individually as replacement parts.

PARTS LIST (B)

Part #	Description	Part #	Description	Part #	Description
1	Flat Washer	16	Crank Shaft Case	31	Crank Shaft
2	Screw	17	Gasket	32	Oil Seal
3	Screw	18	Dip Stick	33	Cover Plate
4	Air Filter	19	Flat Washer	34	Screw
5	Cylinder Head	20	Spring Washer	35	Spring Washer
6	Air Connector (output)	21	Screw	36	Flat Washer
7	Gasket	22	End Plate	37	Belt Pulley
8	Valve Seat Plate	23	Oil Window	38	Connecting Rod
9	Gasket	24	O Ring Seal	39	Piston Pin
10	Valve Plate	25	Screw	40	Retaining Ring
11	Gasket	26	O Ring Seal	41	Piston
12	Cylinder	27	Bottom Plate	42	Piston Ring
13	Gasket	28	Gasket	43	Screw
14	Bolt	29	Bearing	44	Washer
15	Washer	30	Retaining Ring	45	Gasket

ASSEMBLY DIAGRAM (B)



Free Manuals Download Website

<http://myh66.com>

<http://usermanuals.us>

<http://www.somanuals.com>

<http://www.4manuals.cc>

<http://www.manual-lib.com>

<http://www.404manual.com>

<http://www.luxmanual.com>

<http://aubethermostatmanual.com>

Golf course search by state

<http://golfingnear.com>

Email search by domain

<http://emailbydomain.com>

Auto manuals search

<http://auto.somanuals.com>

TV manuals search

<http://tv.somanuals.com>