

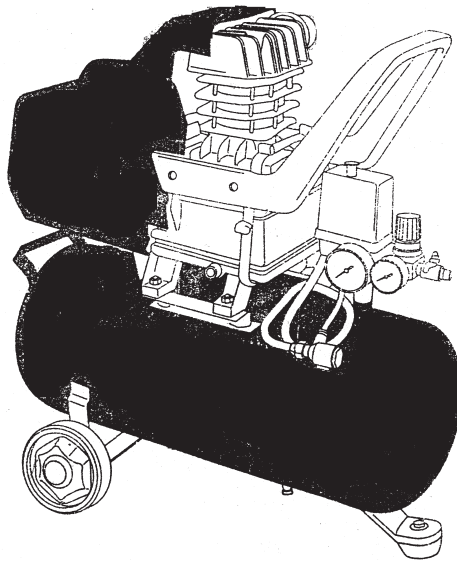
CENTRAL PNEUMATIC®

AIR COMPRESSOR

2 HP-8 GALLON

Model 40400

ASSEMBLY & OPERATING INSTRUCTIONS



Due to continuing improvements, actual product may differ slightly from the product described herein.



3491 Mission Oaks Blvd., Camarillo, CA 93011

Visit our Web site at <http://www.harborfreight.com>

**TO PREVENT SERIOUS INJURY,
READ AND UNDERSTAND ALL WARNINGS
AND INSTRUCTIONS BEFORE USE.**

Copyright© 1999 by Harbor Freight Tools®. All rights reserved. No portion of this manual or any artwork contained herein may be reproduced in any shape or form without the express written consent of Harbor Freight Tools.

For technical questions and replacement parts, please call 1-800-444-3353.

REV 08/01

THANK YOU for choosing a **HARBOR FREIGHT TOOLS** product. For future reference, please complete the owner's record below:

Model _____ **Serial No.** _____ **Purchase Date** _____

SAVE THE RECEIPT, WARRANTY AND THESE INSTRUCTIONS. It is important that you read the entire manual to become familiar with the unit BEFORE you begin assembly.

Technical Specifications

Tool Name:	Air Compressor, 2HP-8 Gallon
Item Number:	40400
Motor:	2 HP
Power Source:	Single Phase, 110V, 60 Hz, 3360 RPM, Single Pump Stage, 8 Gallon
Max. Working Pressure:	115 PSI; Air Flow: 6.0 SCFM at 40 PSI, 5.0 SCFM at 90 PSI, 4.2 SCFM at 115 PSI
Press Switch:	70 PSI
Cylinder and Head:	Cast Iron
Piston, Connecting Rod, Crankcase:	Cast Aluminum
Piston Diameter:	1.886"
Cylinder Honing:	45 Degree Cross Hatch
Overall Dimensions:	26" x 11-3/4" x 27"
Outlet Fittings:	1/4" x 18 NPT



READ ALL INSTRUCTIONS BEFORE USING THIS PRODUCT!

Warning: The warnings, cautions and instructions discussed in this instruction manual cannot cover all possible conditions and situations that may occur. It must be understood by the operator that **COMMON SENSE AND CAUTION ARE FACTORS WHICH CANNOT BE BUILT INTO THIS PRODUCT, BUT MUST BE SUPPLIED BY THE OPERATOR.**

Safety Warnings. Read all safety warnings before using this tool!

1. **Keep work area clean.** Cluttered areas invite injuries.
2. **Observe work area conditions.** Do not use machines or power tools in damp or wet locations. Don't expose to rain. Keep work area well lighted. Do not use electrically powered tools in the presence of flammable gases or liquids.
3. **Keep children away.** Children must never be allowed in the work area. Do not let them handle machines, tools, or extension cords.
4. **Store idle equipment.** When not in use, tools must be stored in a dry location to inhibit rust. Always lock up tools and keep out of reach of children.
5. **Do not force tool.** It will do the job better and more safely at the rate for which it was intended. Do not use inappropriate attachments in an attempt to exceed the tool capacity.
6. **Use the right tool for the job.** Do not attempt to force a small compressor to do the work of a larger industrial compressor. There are certain applications for which this product was designed. Do not modify this compressor tool and do not use this product for a purpose for which it was not intended.

Safety Warnings (continued)

7. **Dress properly.** Do not wear loose clothing or jewelry as they can be caught in moving parts. Protective, electrically non-conductive clothes and non-skid footwear are recommended when working. Wear restrictive hair covering to contain long hair.
8. **Use eye and ear protection.** Always wear ANSI approved impact safety goggles. Wear an ANSI approved dust mask or respirator when working around metal, wood, and chemical dusts and mists.
9. **Do not overreach.** Keep proper footing and balance at all times. Do not reach over or across running machines.
10. **Maintain tools with care.** Keep tools sharp and clean for better and safer performance. Follow instructions for lubricating and changing accessories. Inspect tool cords periodically and, if damaged, have them repaired by an authorized technician. The handles must be kept clean, dry, and free from oil and grease at all times.
11. **Disconnect power.** Unplug tool when not in use.
12. **Remove adjusting keys and wrenches.** Check that keys and adjusting wrenches are removed from the tool or machine work surface before plugging it in.
13. **Avoid unintentional starting.** Be sure the switch is in the Off position when not in use and before plugging in.
14. **Stay alert.** Watch what you are doing, use common sense. Do not operate any tool when you are tired.
15. **Check for damaged parts.** Before using any tool, any part that appears damaged should be carefully checked to determine that it will operate properly and perform its intended function. Check for alignment and binding of moving parts; any broken parts or mounting fixtures; and any other condition that may affect proper operation. Any part that is damaged should be properly repaired or replaced by a qualified technician. Do not use the tool if any switch does not turn On and Off properly.
16. **Guard against electric shock.** Prevent body contact with grounded surfaces such as pipes, radiators, ranges, and refrigerator enclosures.
17. **Replacement parts and accessories.** When servicing, use only identical replacement parts. Use of any other parts will void the warranty. Only use accessories intended for use with this tool. Approved accessories are available from Harbor Freight Tools.
18. **Do not operate tool if under the influence of alcohol or drugs.** Read warning labels on prescriptions to determine if your judgment or reflexes are impaired while taking drugs. If there is any doubt, do not operate the tool.
19. **Use proper size and type extension cord.** If an extension cord is required, it must be of the proper size and type to supply the correct current to the tool without heating up. Otherwise, the extension cord could melt and catch fire, or cause electrical damage to the tool. This tool requires use of an extension cord of **0 to 15 amps** capability (up to 50 feet), with wire size rated at **16 AWG**. Longer extension cords require larger size wire. If you are using the tool outdoors, use an extension cord rated for outdoor use (signified by "WA" on the jacket).
20. **Maintenance.** For your safety, service and maintenance should be performed regularly by a qualified technician.
21. **Drain compressor every day.** Do not allow moisture to build up inside the compressor.
22. **Make sure all equipment is rated to the appropriate capacity.**
23. **Avoid explosions and fire.** Never place flammable objects near the compressor. Never spray water or any flammable liquids towards the compressor.

Unpacking

When unpacking, check to make sure all parts are included. Refer to the Assembly Drawing and Parts List at the end of this manual. If any parts are missing or broken, please call Harbor Freight Tools at the number on the cover of this manual as soon as possible.

Assembly

The Wheels need to be assembled to the Air Compressor. Insert the Axle (#54) through one of the Wheels (#55). With these two assembled together, insert Axle (#54) through the bracket on the bottom of the Tank Assembly (#50). Slide on Washer (#56) and the Lock Washer (#57) and tighten with the Nut (#58). Once assembled, roll the Air Compressor to test the operation of the wheels. Periodically check to insure that wheel and axle hardware is secure.

Operation

To assist you with operation, please refer to the Assembly Diagram and Parts List located on pages 6, 7 and 8.

Warning: Fill with compressor oil before using; running with NO or LOW OIL voids warranty.

Checking the Oil

Make certain to add compressor oil prior to operation. The Oil Fill Plug and Oil Sight is shown on the illustration on page 6. Only use a good quality, 30-weight, non-detergent compressor oil.

Change the oil after every 500 hours of operation.

1. By checking the level of fluid in the Oil Sight (part #20), you will be able to determine the oil level. The oil level should be even with the dot in the center of the Oil Sight (part#20). If low, add oil until it is at the proper level.
2. Oil is added by removing the Oil Plug (part #14) and, using a funnel to avoid spills, adding oil to the Compressor. After Oil is added, replace the Oil Plug.

Compressor Operation

1. Plug the power cord into an electrical outlet with a grounding prong.
2. Pull up on the ON/OFF switch to turn on (see illustration on page 6). Push down on the switch to shut the compressor off.
3. Allow the tank to fill to 80 PSI before using. With the Air Compressor on, its operation is automatic and under the control of the internal pressure switch.

Warning: Do not remove the factory sealed Air Control Valve (see illustration on page 6); removal of this valve voids warranty.

Hose Connections

1. Close the Air Control Valve (turn to right or left).
2. Connect the high pressure air hose to the air outlet. The outlet is 1/4" NPT. Note: For easy connection or removal, a quick coupler (not included) should be installed on the end of the outlet.
3. Turn the Air Control Valve to the middle position to allow the air to pass.

REV 03/06
SKU 40400

For technical questions, please call 1-800-444-3353.

Page 4

Compressor Operation (continued)

Caution: The pressure switch is adjustable but changes to the pressure levels are not recommended; any change to the automatic On/Off pressure levels will cause additional stress on the motor which may result in shortened motor life.

Using the Safety Valve

The Safety Valve (see illustration on page 6 for location) is used when decompression is needed quickly and efficiently.

1. Press the ON/OFF switch down.
2. Pull on the Safety Valve ring to release pressure.

Empty Air and Condensation

The Petcock (#53) release valve is located underneath the Tank Assembly (#50). It must be used daily to release all trapped air and moisture through this valve. It will also get rid of any condensation that may cause tank corrosion.

Warning: Do not open the Petcock (#53) so that more than four threads are showing.

1. Push down on the ON/OFF switch to turn the compressor off.
2. Unscrew the Petcock (#53) two to three turns.
3. When all pressure is released, close the Petcock (#53) again.

NOTE: IF THE COMPRESSOR SUDDENLY SHUTS OFF, check and reset the unit's Overload Protection (59). To reduce the chance of this occurring, eliminate the use of an extension cord.

Warning: To reduce the risk of fire or explosion, never spray flammable liquids in a confined area. Always operate the compressor in a well ventilated area. Do not smoke while spraying. Do not spray where sparks or flames are present. Keep compressor as far from spray area as possible.

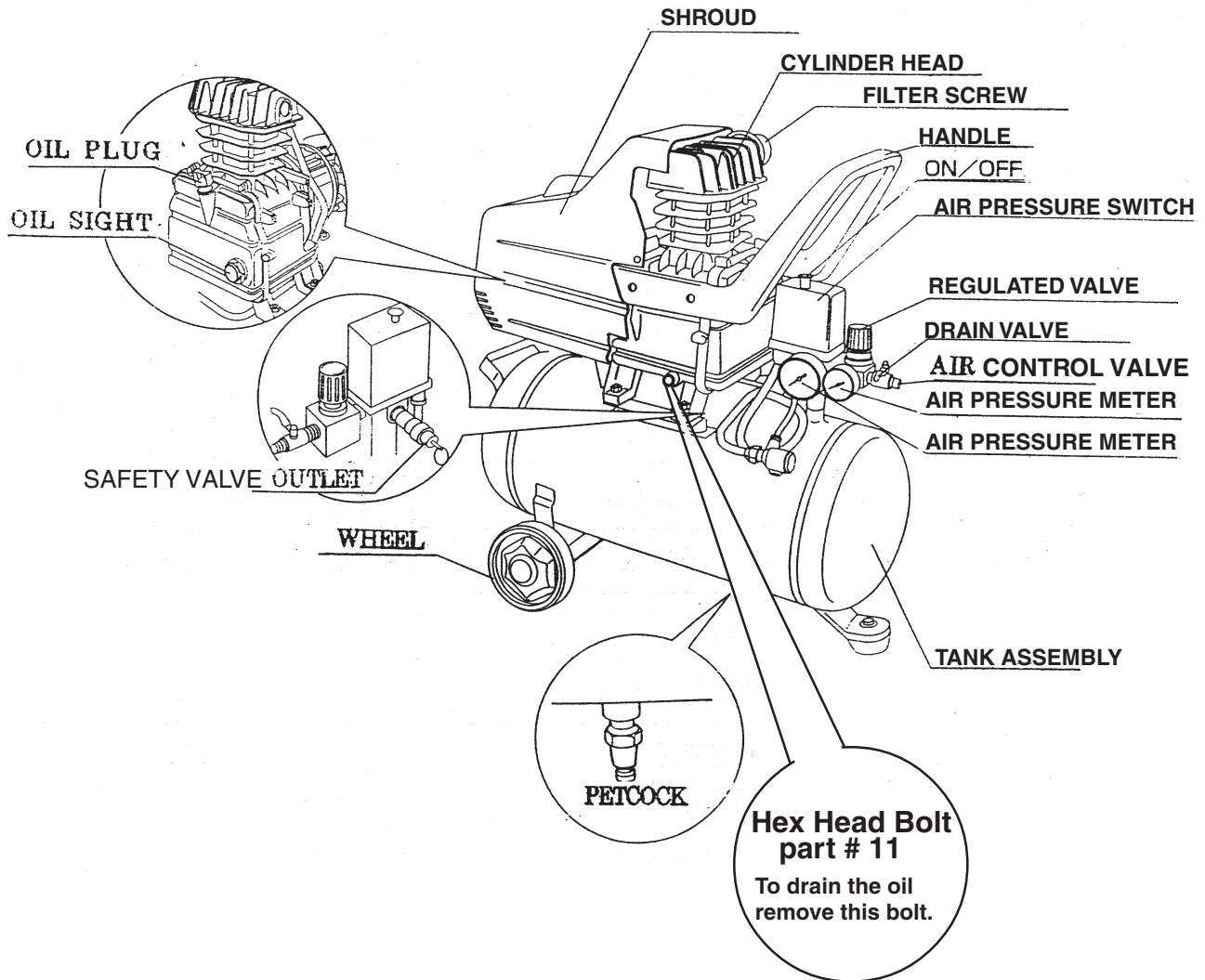
Never directly inhale the compressed air produced by a compressor. It is not suitable for breathing purposes.

Never weld on the air tank of this Compressor. Welding of the tank could affect tank strength and result in an extremely hazardous condition.

To avoid the potential for electric shock, never use this Compressor outdoors when it is raining, and never use the Compressor on a wet surface.

Never point any nozzle or sprayer toward a person or animal.

Air Compressor Diagram



PLEASE READ THE FOLLOWING CAREFULLY

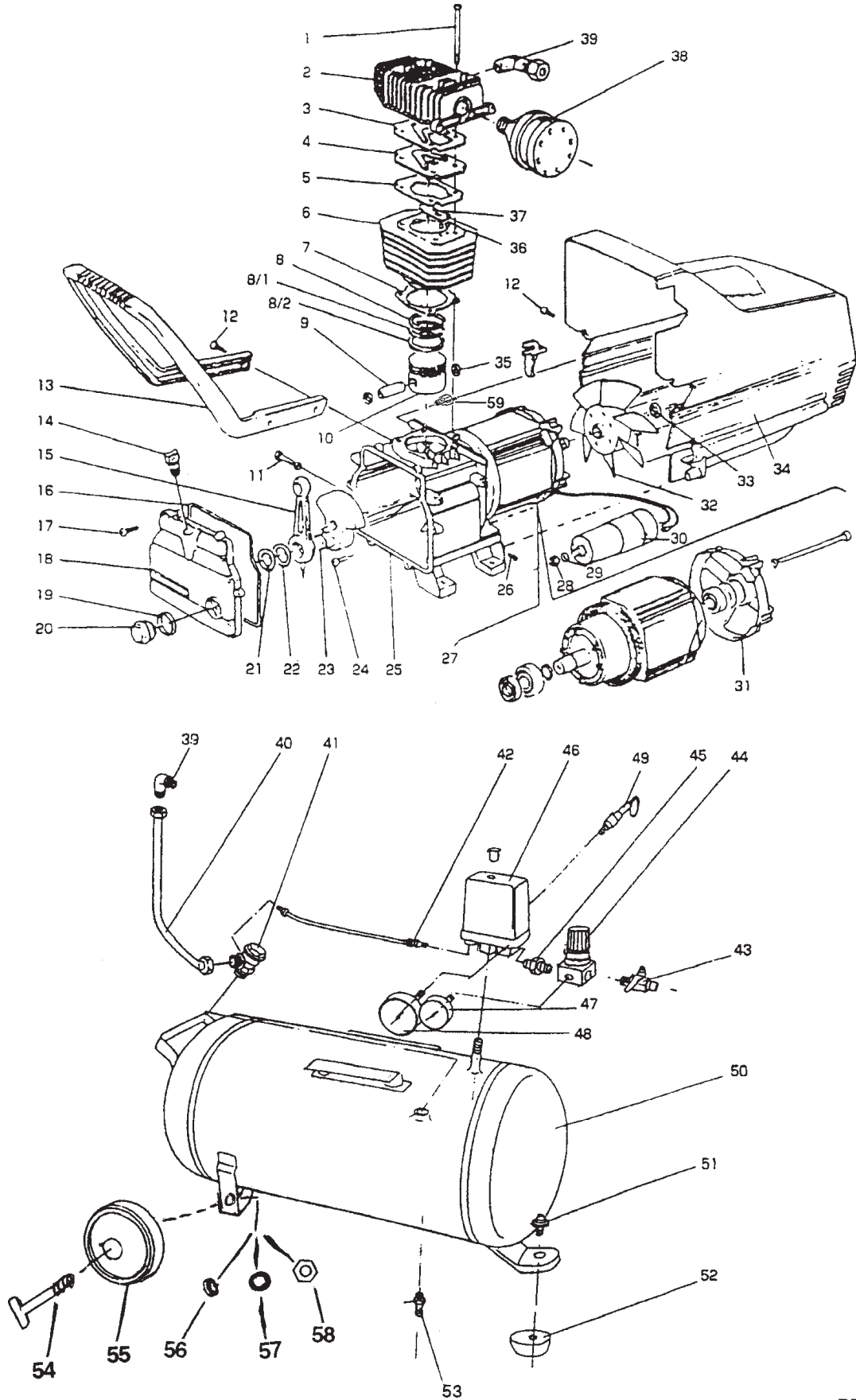
THE MANUFACTURER AND/OR DISTRIBUTOR HAS PROVIDED THE PARTS DIAGRAM IN THIS MANUAL AS A REFERENCE TOOL ONLY. NEITHER THE MANUFACTURER NOR DISTRIBUTOR MAKES ANY REPRESENTATION OR WARRANTY OF ANY KIND TO THE BUYER THAT HE OR SHE IS QUALIFIED TO MAKE ANY REPAIRS TO THE PRODUCT OR THAT HE OR SHE IS QUALIFIED TO REPLACE ANY PARTS OF THE PRODUCT. IN FACT, THE MANUFACTURER AND/OR DISTRIBUTOR EXPRESSLY STATES THAT ALL REPAIRS AND PARTS REPLACEMENTS SHOULD BE UNDERTAKEN BY CERTIFIED AND LICENSED TECHNICIANS AND NOT BY THE BUYER. THE BUYER ASSUMES ALL RISK AND LIABILITY ARISING OUT OF HIS OR HER REPAIRS TO THE ORIGINAL PRODUCT OR REPLACEMENT PARTS THERETO, OR ARISING OUT OF HIS OR HER INSTALLATION OF REPLACEMENT PARTS THERETO.

Parts List

Part	Description	Qty	Part	Description	Qty
1	Socket Screw	4	30	Capacitor	1
2	Cylinder Head	1	31	Back Cover	1
3	Cylinder Head Gasket	1	32	Forced Air Fan	1
4	Valve	1	33	Stem Ring	1
5	Cylinder Gasket	1	34	Shroud	1
6	Cylinder	1	35	Stem Ring	2
7	Gasket	1	36	Pin	2
8, 8-1	Compression Ring	2	37	Strip Valve	1
8-2	Piston	1	38	Filter/Filter Screw	1
9	Wrist Pin Piston	1	39	Elbow 90 degree	1
10	Piston	1	40	Drain Tube	1
11	Hex Head Nut	1	41	Check Valve	1
12	Crossed Screw	4	42	Tube	1
13	Handle	1	43	Drain Valve	1
14	Oil Retainer	1	44	Regulated Valve	1
15	Connecting Rod	1	45	Outlet	1
16	Gasket Crankcase	1	46	Air Pressure Switch	1
17	Hex Head Bolt	6	47	Air Pressure Meter	1
18	End Cover Assembly	1	48	Air Pressure Meter	1
19	Washer	1	49	Safety Valve	1
20	Oil Sight	1	50	Tank Assy	1
21	Stem Ring	1	51	Screw	1
22	Washer	1	52	Rubber Washer	1
23	Crankshaft Cone Assy	1	53	Petcock	1
24	Inner Hex Head Bolt	1	54	Axle	2
25	Crank Case	1	55	Wheel	2
26	Crossed Self Tapping Screw	1	56	Washer	2
27	Motor Drive	1	57	Lock Washer	2
28	Nut	1	58	Nut	2
29	Washer	1	59	Overload Protection	1

Note: Some parts listed and shown on this page are for illustration purposes only and are not available individually as replacement parts.

Assembly Diagram



Free Manuals Download Website

<http://myh66.com>

<http://usermanuals.us>

<http://www.somanuals.com>

<http://www.4manuals.cc>

<http://www.manual-lib.com>

<http://www.404manual.com>

<http://www.luxmanual.com>

<http://aubethermostatmanual.com>

Golf course search by state

<http://golfingnear.com>

Email search by domain

<http://emailbydomain.com>

Auto manuals search

<http://auto.somanuals.com>

TV manuals search

<http://tv.somanuals.com>