

CENTRAL PNEUMATIC®

***AIR HOSE REEL
WITH 30', 3/8" HOSE***

Model 40131

INSTALLATION and OPERATING INSTRUCTIONS



3491 Mission Oaks Blvd., Camarillo, CA 93011
Visit our Web site at <http://www.harborfreight.com>

Copyright ©2002 by Harbor Freight Tools®. All rights reserved. No portion of this manual or any artwork contained herein may be reproduced in any shape or form without the express written consent of Harbor Freight Tools.

For technical questions and replacement parts, please call 1-800-444-3353

Specifications

Air Inlet / Outlet	1/4"- 18 NPT
Recommended Air Pressure	60-100 PSI (4-6 SCFM)
Air Hose	3/8" Dia. x 30 Feet
Air Flow	25 CFM Maximum
Hose Reel Capacity	30 Feet
Maximum PSI	250 PSI, 750 PSI Burst Pressure
Overall Dimensions	10-5/8" L x 14" W x 12-11/16" H

Save This Manual

You will need the manual for the safety warnings and precautions, assembly instructions, operating and maintenance procedures, parts list and diagram. Keep your invoice with this manual. Write the invoice number on the inside of the front cover. Keep the manual and invoice in a safe and dry place for future reference.

Safety Warnings and Precautions

WARNING: When using tool, basic safety precautions should always be followed to reduce the risk of personal injury and damage to equipment.

Read all instructions before using this tool!

1. **Keep work area clean.** Cluttered areas invite injuries.
2. **Observe work area conditions.** Do not use machines or power tools in damp or wet locations. Don't expose to rain. Keep work area well lighted. Do not use electrically powered tools in the presence of flammable gases or liquids.
3. **Keep children away.** Children must never be allowed in the work area. Do not let them handle machines, tools, or extension cords.
4. **Store idle equipment.** When not in use, tools must be stored in a dry location to inhibit rust. Always lock up tools and keep out of reach of children.
5. **Use the right tool for the job.** Do not attempt to force a small tool or attachment to do the work of a larger industrial tool. There are certain applications for which this tool was designed. It will do the job better and more safely at the rate for which it was intended. Do not modify this tool and do not use this tool for a purpose for which it was not intended.
6. **Dress properly.** Do not wear loose clothing or jewelry as they can be caught in moving parts. Protective, electrically non-conductive clothes and non-skid footwear are recommended when working. Wear restrictive hair covering to contain long hair.
7. **Use eye and ear protection.** Always wear ANSI approved impact safety goggles.
8. **Do not overreach.** Keep proper footing and balance at all times. Do not reach over or across running machines or air hoses.

9. **Maintain tools with care.** Keep tools clean for better and safer performance. Follow instructions for lubricating and changing accessories. Inspect tool cords and air hoses periodically and, if damaged, have them repaired by an authorized technician. The handles must be kept clean, dry, and free from oil and grease at all times.
10. **Disconnect air supply.** Disconnect air hose when not in use.
11. **Stay alert.** Watch what you are doing, use common sense. Do not operate any tool when you are tired.
12. **Check for damaged parts.** Before using any tool, any part that appears damaged should be carefully checked to determine that it will operate properly and perform its intended function. Check for alignment and binding of moving parts; any broken parts or mounting fixtures; and any other condition that may affect proper operation. Any part that is damaged should be properly repaired or replaced by a qualified technician.
13. **Replacement parts and accessories.** When servicing, use only identical replacement parts. Use of any other parts will void the warranty. Only use accessories intended for use with this tool. Approved accessories are available from Harbor Freight Tools.
14. **Do not operate air tool if under the influence of alcohol or drugs.** Read warning labels on prescriptions to determine if your judgment or reflexes are impaired while taking drugs. If there is any doubt, do not operate the tool.
15. **Maintenance.** For your safety, maintenance should be performed regularly by a qualified technician.

WARNING: The brass components of this product contain lead, a chemical known to the State of California to cause birth defects (or other reproductive harm). (California Health & Safety code § 25249.5, *et seq.*)

Warning: The warnings, cautions, and instructions discussed in this instruction manual cannot cover all possible conditions and situations that may occur. It must be understood by the operator that common sense and caution are factors which cannot be built into this product, but must be supplied by the operator. Read and understand all of the instructions provided in the instruction manual of the air compressor being used.

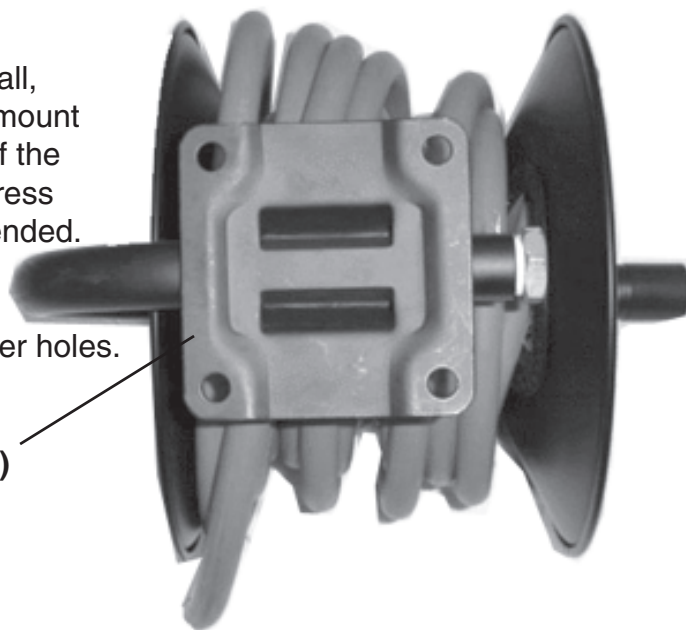
Unpacking

When unpacking, check to make sure the parts listed on page 5 are included. If any parts are missing or broken, please call Harbor Freight Tools at the number on the cover of this manual as soon as possible.

Installation

FIGURE 1

1. You may mount your Hose Reel on a wall, workbench, or a ceiling. The surface you mount to must be capable of holding the weight of the Hose Reel, the hose, and the additional stress from tugging on the unit with the hose extended.
2. Mount the unit through the four mounting holes on the **Base (#1)** with four bolts (not included) fitted for 13/32" diameter holes. See **FIGURE 1**.
3. Thread the **Handle (#23)** onto the **Flange A (#6)** assembly. **Base (#1)**



Operation

Warning!! Do not exceed 250 PSI with this Hose Reel.

1. You may need to prepare a 1/4" air connector (sold separately) to connect to the air source hose.
2. Wrap the 1/4" air connector (not included) with pipe thread seal tape before connecting the air source hose to the **Input Valve (#24)** on the Hose Reel. The Hose on the Hose Reel comes pre-attached to the **Swivel (#13)**.
3. Check the air connection for leaks.
4. When using the Hose Reel, remove hose from reel slowly. If it binds up, do not force it.
5. When reeling on hose, make sure the hose covers the Hose Reel evenly, and does not bunch up on either end.

Warning: Read and adhere to all safety warnings and instructions provided in the instruction manual of the Air Compressor being used with this product.

Maintenance

1. Periodically check connection for air leaks.
2. Keep the hose clean and free of dirt and debris by wiping it down before winding it on to the Hose Reel.

Parts List

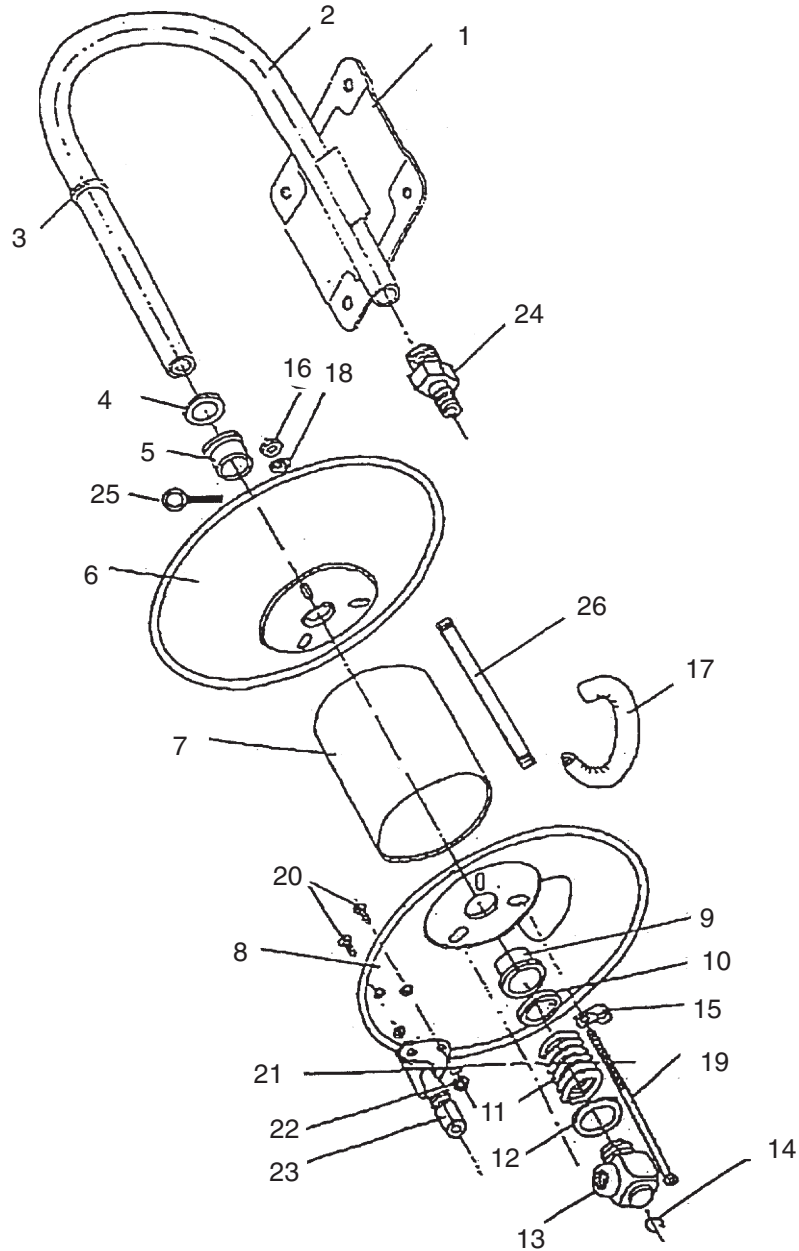
Part No.	Description	Qty.
1	Base	1
2	Stand	1
3	Fixed Washer	1
4	Washer	1
5	Position Sleeve	1
6	Flange A	1
7	Sleeve	1
8	Flange B	1
9	Position Sleeve	1
10	Washer	1
11	Spring	1
12	Washer	1
13	Swivel (2 valves & 0-rings)	1
14	Spring Washer	1
15	Nut	3
16	Washer	3
17	Rubber Protector	1
18	Clamp	1
19	Screw	3
20	Screw	3
21	Washer	3
22	Nut	3
23	Handle	1
24	Input Valve	1
25	Locking Pin	1
26	Hose	1

PLEASE READ THE FOLLOWING CAREFULLY

THE MANUFACTURER AND/OR DISTRIBUTOR HAS PROVIDED THE PARTS DIAGRAM IN THIS MANUAL AS A REFERENCE TOOL ONLY. NEITHER THE MANUFACTURER NOR DISTRIBUTOR MAKES ANY REPRESENTATION OR WARRANTY OF ANY KIND TO THE BUYER THAT HE OR SHE IS QUALIFIED TO MAKE ANY REPAIRS TO THE PRODUCT OR THAT HE OR SHE IS QUALIFIED TO REPLACE ANY PARTS OF THE PRODUCT. IN FACT, THE MANUFACTURER AND/OR DISTRIBUTOR EXPRESSLY STATES THAT ALL REPAIRS AND PARTS REPLACEMENTS SHOULD BE UNDERTAKEN BY CERTIFIED AND LICENSED TECHNICIANS AND NOT BY THE BUYER. THE BUYER ASSUMES ALL RISK AND LIABILITY ARISING OUT OF HIS OR HER REPAIRS TO THE ORIGINAL PRODUCT OR REPLACEMENT PARTS THERETO, OR ARISING OUT OF HIS OR HER INSTALLATION OF REPLACEMENT PARTS THERETO.

NOTE: Some parts are listed and shown for illustration purposes only and are not available individually as replacement parts.

Assembly Drawing



Free Manuals Download Website

<http://myh66.com>

<http://usermanuals.us>

<http://www.somanuals.com>

<http://www.4manuals.cc>

<http://www.manual-lib.com>

<http://www.404manual.com>

<http://www.luxmanual.com>

<http://aubethermostatmanual.com>

Golf course search by state

<http://golfingnear.com>

Email search by domain

<http://emailbydomain.com>

Auto manuals search

<http://auto.somanuals.com>

TV manuals search

<http://tv.somanuals.com>