

Model 43242 MINI AIR FILTER

With Pressure Gauge and Pressure Regulator



3491 Mission Oaks Blvd., Camarillo, CA 93011

Visit our Web site at <http://www.harborfreight.com>

Copyright © 2000 by Harbor Freight Tools. All rights reserved. No portion of this manual or any artwork contained herein may be reproduced in any shape or form without the express written consent of Harbor Freight Tools.

For technical questions please call 1-800-444-3353

UNPACKING

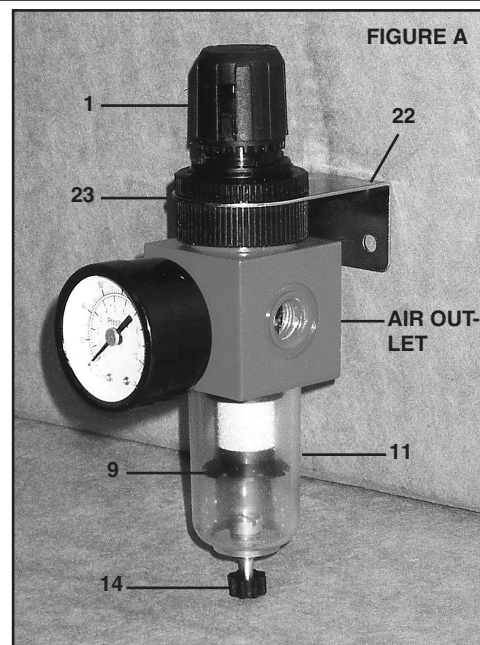
When unpacking, check to make sure all parts shown on the back of this instruction sheet are included. If any parts are missing or broken, please call Harbor Freight Tools at the number shown on the front of this instruction sheet as soon as possible.

OPERATING INSTRUCTIONS

NOTE: All parts mentioned below refer to parts shown on the reverse side of this instruction sheet.

1. For ease of use, and to avoid damage to the Mini Air Filter, it is recommended that the unit be mounted in a convenient location on the workbench or in the work area. This can be done by attaching the Mounting Bracket (part #22) to the side of the workbench or wall, using two wood or metal screws (not provided). (Figure A)
2. Once the Mounting Bracket has been attached to a desired location, unscrew and remove the Retaining Ring (part #23) from the top of the Mini Air Filter.
3. Insert the top of the Mini Air Filter through the Mounting Bracket and secure by replacing the Retaining Ring.
4. Attach a 1/4" NPT Female hose connector to the air compressor supply hose. Then, wrap the threads of the 1/4" NPT Female hose connector with approximately 3" of Teflon tape. Next, connect the 1/4" NPT Female hose connector to the *inlet* side of the Mini Air Filter.
5. Attach a 1/4" NPT Male hose connector to one end of the outlet extension hose (to which you will connect a tool). Check to make sure the other end of the outlet extension hose is fitted with a quick coupler. Then, wrap the threads of the 1/4" NPT Male hose connector with approximately 3" of Teflon tape. Next, connect the 1/4" NPT Male hose connector to the *outlet* side of the Mini Air Filter.
6. Connect the quick coupler of the air outlet extension hose to the tool you are using. Turn on the air compressor and regulate the desired PSI to the tool by pulling up and turning the Pressure Adjustment Knob (part #1) on the Mini Air Filter clockwise for reduced air pressure, or counterclockwise for increased air pressure. Press down on the knob to lock.
7. The Mini Air Filter is now ready for use. NOTE: Depending on usage, periodically examine the Drain Cup (part #11) for accumulated water that is being separated from the compressed air system. See Step one for instructions on draining the excess fluid from the Drain Cup.

SEE REVERSE SIDE OF THIS INSTRUCTION FLYER FOR PRODUCT WARNINGS, PRECAUTIONS, PARTS LIST, AND ASSEMBLY DIAGRAM.



CLEANING AND MAINTENANCE

1. When the water level rises to the bottom edge of the Filter Mesh Mounting (part #9) within the Drain Cup (part #11) it is necessary to remove the excess fluid. To drain the fluid slowly turn the Water Valve Drain (part #14) counterclockwise until the fluid begins to flow from the Drain Cup. When all of the fluid has been drained turn the Water Valve Drain clockwise to tighten.
2. To clean, wipe with a clean, damp cloth, using a mild soap with water if necessary. Then, dry.

SAFETY WARNINGS AND PRECAUTIONS

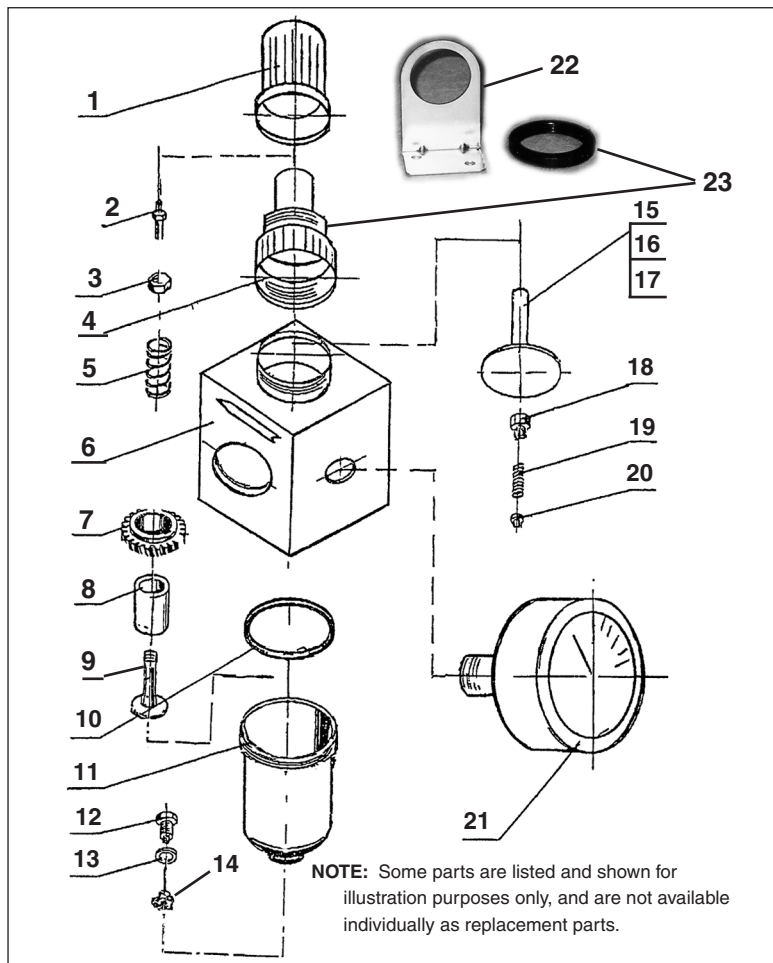
1. **KEEP PRODUCT USAGE AREA CLEAN.** Cluttered areas invite injuries.
2. **KEEP CHILDREN AWAY FROM PRODUCT USAGE AREA.** Do not allow children to handle this product.
3. **DO NOT USE THIS PRODUCT IF UNDER THE INFLUENCE OF ALCOHOL OR DRUGS.** Read warning labels on prescriptions to determine if your judgement or reflexes are impaired while taking drugs. If there is any doubt, do not attempt to use this product.
4. **USE EYE PROTECTION.** Wear ANSI-approved safety impact eye goggles. The ANSI-approved safety impact goggles are available from Harbor Freight Tools.
5. **CHECK FOR DAMAGED PARTS.** Before using this product, carefully check that it will operate properly and perform its intended function. Check for damaged parts and any other conditions that may affect its operation. Replace or repair damaged or worn parts immediately.
6. **REPLACEMENT PARTS AND ACCESSORIES.** When servicing, use only identical replacement parts. Only use accessories intended for use with this product. Approved accessories are available from Harbor Freight Tools.
7. **MAINTENANCE:** Service and maintenance should be performed regularly by a qualified technician.
8. **USE THE RIGHT PRODUCT FOR THE RIGHT JOB.** There are certain applications for which this product was designed. Do not use a smaller tool to do the work required by a larger industrial size tool. Do not use this product for a purpose for which it was not intended.
9. **THE BRASS COMPONENTS OF THIS PRODUCT CONTAIN LEAD, A CHEMICAL KNOWN TO THE STATE OF CALIFORNIA TO CAUSE BIRTH DEFECTS (OR OTHER REPRODUCTIVE HARM).** (California Health & Safety code § 25249.5, et seq.)

SAVE THIS INSTRUCTION SHEET

You will need this instruction sheet for the **Operating, Maintenance Procedures, and Safety Warnings and Precautions.** Keep your invoice with this instruction sheet. Write the invoice number on the the front of this instruction sheet. Keep this instruction sheet and invoice in a safe and dry place for future reference.

PLEASE READ THE FOLLOWING CAREFULLY

THE MANUFACTURER AND/OR DISTRIBUTOR HAS PROVIDED THE PARTS DIAGRAM IN THIS MANUAL AS A REFERENCE TOOL ONLY. NEITHER THE MANUFACTURER NOR DISTRIBUTOR MAKES ANY REPRESENTATION OR WARRANTY OF ANY KIND TO THE BUYER THAT HE OR SHE IS QUALIFIED TO MAKE ANY REPAIRS TO THE PRODUCT OR THAT HE OR SHE IS QUALIFIED TO REPLACE ANY PARTS OF THE PRODUCT. IN FACT, THE MANUFACTURER AND/OR DISTRIBUTOR EXPRESSLY STATES THAT ALL REPAIRS AND PARTS REPLACEMENTS SHOULD BE UNDERTAKEN BY CERTIFIED AND LICENSED TECHNICIANS AND NOT BY THE BUYER. THE BUYER ASSUMES ALL RISK AND LIABILITY ARISING OUT OF HIS OR HER REPAIRS TO THE ORIGINAL PRODUCT OR REPLACEMENT PARTS THERETO, OR ARISING OUT OF HIS OR HER INSTALLATION OF REPLACEMENT PARTS THERETO.



PARTS LIST / ASSEMBLY DIAGRAM

PART #	DESCRIPTION	QTY
1	Pressure Adjustment Knob	1
2	Sinistral Screw	1
3	Sinistral Nut	1
4	Pressure Adjustment Mounting	1
5	Spring	1
6	Body	1
7	Air Distributor	1
8	Filter Mesh	1
9	Filter Mesh Mounting	1
10	"O" Ring	1
11	Drain Cup	1
12	Adjustment Screw	1
13	Gasket	1
14	Water Valve Drain	1
15	Filter Valve Screw	1
16	Brass Gasket	1
17	Rubber Cover	1
18	Rubber Screw	1
19	Spring	1
20	Rubber Gasket	1
21	Pressure Gauge	1
22	Mounting Bracket	1
23	Retainer Ring	1

Free Manuals Download Website

<http://myh66.com>

<http://usermanuals.us>

<http://www.somanuals.com>

<http://www.4manuals.cc>

<http://www.manual-lib.com>

<http://www.404manual.com>

<http://www.luxmanual.com>

<http://aubethermostatmanual.com>

Golf course search by state

<http://golfingnear.com>

Email search by domain

<http://emailbydomain.com>

Auto manuals search

<http://auto.somanuals.com>

TV manuals search

<http://tv.somanuals.com>