

Meal Maker Express[™]

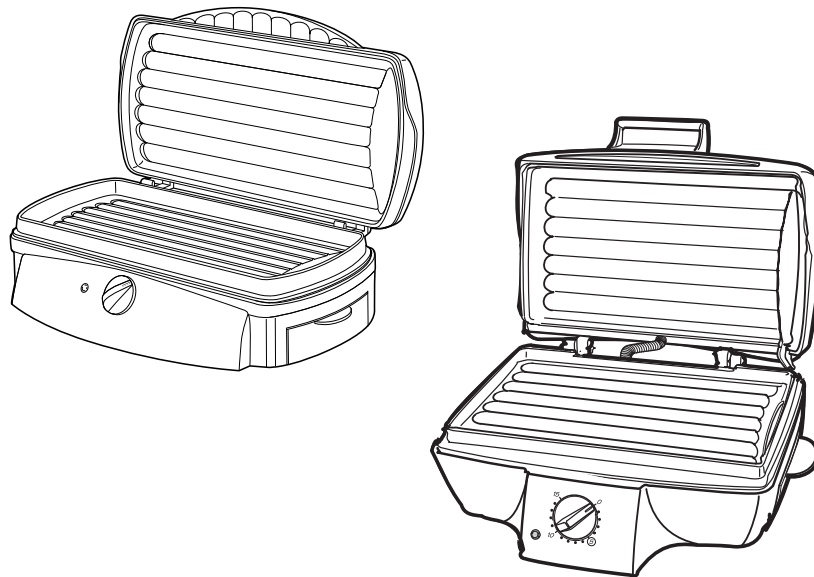
READ BEFORE USE

Meal Maker Express[™]

LIRE AVANT L'UTILISATION

Meal Maker Express[™]

LEA ANTES DE USAR



English 2

USA: 1-800-851-8900

Français 17

Canada : 1-800-267-2826

Español 32

México: 01 800 71 16 100

Le invitamos a leer cuidadosamente este
instructivo antes de usar su aparato.

840156900

⚠ WARNING

Shock Hazard

- Do not immerse this appliance in water or other liquid.
- If the plug on this appliance does not fit in your outlet:
 - Do not modify the plug.
 - Do not use an adaptor.
 - Have an electrician replace the obsolete outlet.

IMPORTANT SAFEGUARDS

In order to prevent the risk of fire, electric shock, burns or other injury or damage, follow these instructions carefully. When using electrical appliances, basic safety precautions should always be followed including the following:

1. Read all instructions.
2. Do not touch hot surfaces. Use handles or knobs.
3. To protect against risk of electrical shock, do not immerse appliance, cord or plug in water or other liquid.
4. Close supervision is necessary when any appliance is used by or near children.
5. Unplug from outlet when not in use and before cleaning. Allow to cool before putting on or taking off parts, and before cleaning the appliance.
6. Do not operate any appliance with a damaged cord or plug, or after the appliance malfunctions or is dropped or damaged in any manner. Call our toll-free customer service number for information on examination, electrical repair, mechanical repair, or adjustment.
7. Do not use outdoors.
8. The use of accessory attachments not recommended by Hamilton Beach/Proctor-Silex, Inc. may cause injuries or serious damage to the unit.
9. Do not let cord hang over edge of table or counter, or touch hot surfaces, including stove.
10. Do not place on or near a hot gas or electric burner, or in a heated oven. Do not use this unit near oven, heater or fireplace.
11. Extreme caution must be used when moving an appliance containing hot oil or other hot liquids.
12. To disconnect, turn any control to "OFF," then remove plug from wall outlet.
13. Do not use appliance for other than intended purpose.
14. For units with detachable cooking plates, be sure they are secured before cooking.

SAVE THESE INSTRUCTIONS!

Consumer Safety Information

This appliance is intended for household use only.

To avoid an electrical circuit overload do not use another high wattage appliance on the same circuit with the grill.

Always use a hot mitt to protect hand when opening the grill.

CAUTION: Escaping steam may cause burns.

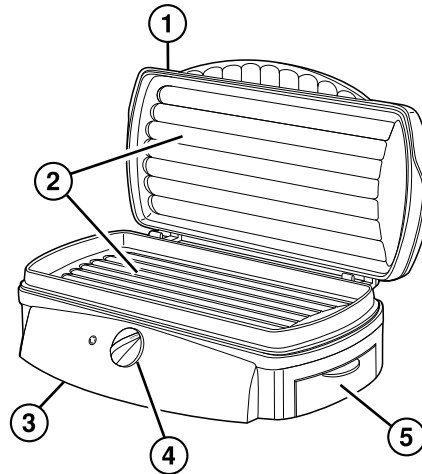
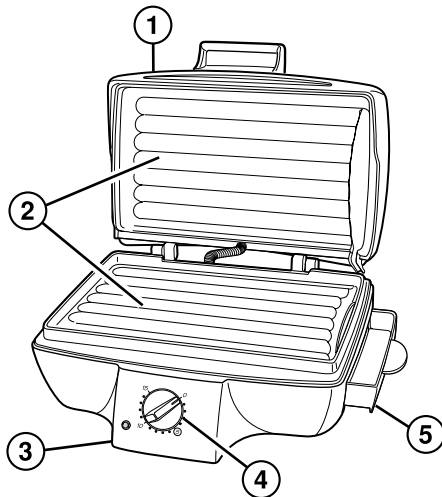
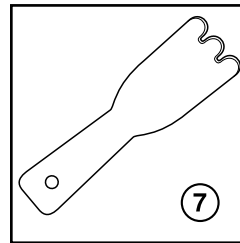
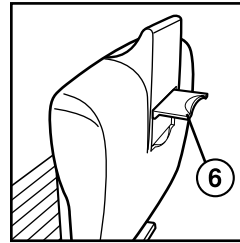
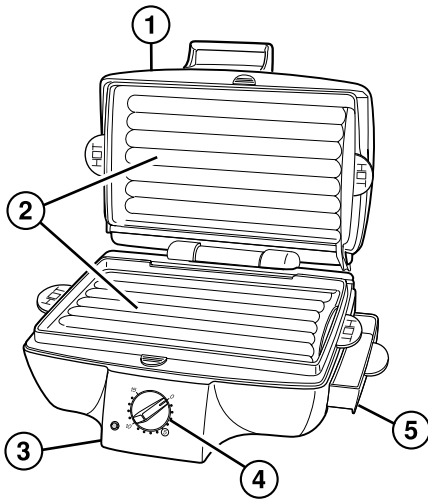
An extension cord should be connected to the appliance first, before it is plugged into the outlet.

The length of the cord used on this appliance was selected to reduce the hazards of becoming tangled in, or tripping over a longer cord. If a longer cord is necessary an approved extension cord may be used. The electrical rating of the extension cord must be equal to or greater than the rating of the grill. Care must be taken to arrange the extension cord so that it will not drape over the countertop or tabletop where it can be pulled on by children or accidentally tripped over.

Know Your Grill

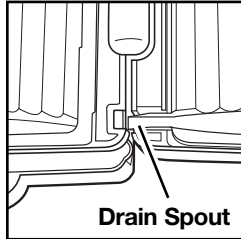
Parts and Features

- 1. Cover
- 2. Nonstick Grill Surfaces
- 3. Base
- 4. Timer
- 5. Drip Cup
- 6. Support Leg
- 7. Spatula/Scraper
(available with select models)

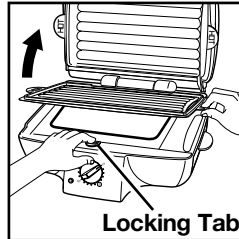


Optional Features (on select models)

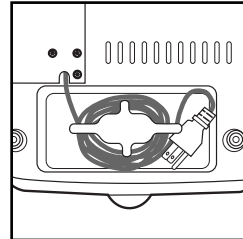
Drain Spout



Removable Grids



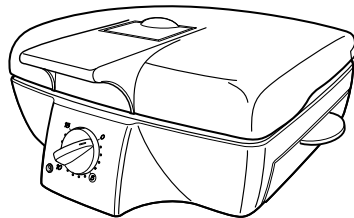
Cord Wrap



Grilling Options

The grill may be used in two different positions:

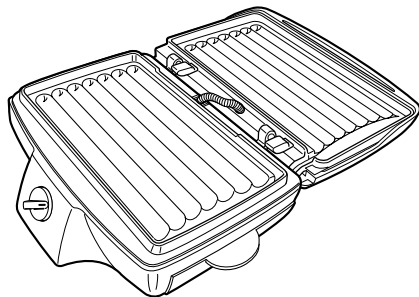
Closed Cover



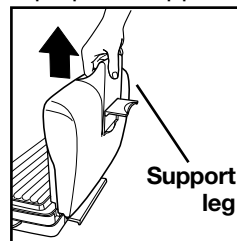
This will cook the food on both sides at the same time. This is the quickest method.

Flat

Open the grill for more grilling surface. This will require a longer cooking time but you can cook twice as much.

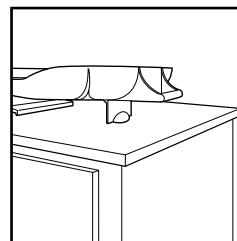


1. Flip up the support leg, then lift



cover straight up (this will disengage the locked hinge).

2. Lower the cover as far as it will go to the flat position.

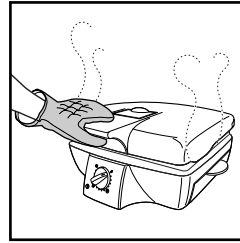


Operating Instructions

BEFORE FIRST USE: Please wash the cooking surfaces of the grill as instructed under "Cleaning."

1. Plug into 120 volt AC outlet.
2. Brush grilling surfaces with oil or spray with nonstick cooking spray.
3. Preheat grill by turning timer to 5 minutes. Keep cover closed.
4. When preheated, raise grill cover. Place food to be cooked onto grill and lower grill cover. Always use grill with drip cup in place.
5. Set timer. The ON light comes on when the timer is set.

6. When timer rings, use a hot mitt and



carefully lift grill cover and check food to see if cooked to desired degree. Do not cut food on nonstick grilling surface.

If additional cooking time is needed, reset timer.

7. To turn food, use spatula/scrapper (available with select models), or another utensil safe for nonstick surfaces.
8. When food is cooked to desired degree, remove the food and unplug the grill. Let cool slightly before cleaning.

Tips for Easy Grilling

- **ALWAYS PREHEAT THE GRILL 5 MINUTES BEFORE USING.**
- Read the Grill Use & Care Guide before starting to grill.
- Grill cooking is so easy because you can brown meats, cook onions, grill vegetables, "stir-fry" dishes, steam fish and toast sandwiches with little attention from the cook.
- Use the grill to "prep and cook" foods for traditional range-top recipes: brown ground beef for spaghetti sauce or stir-fry beef strips for a Chinese dish. Since the grill cooks top and bottom at the same time, there's no need to stir while cooking.
- Cook "guilt-free" French fries without the extra oil or make perfect French toast that doesn't need to be turned during cooking.
- Use vegetable cooking spray for convenient, stick-free grilling. Or if you prefer, brush grill surfaces with vegetable oil before preheating.
- Use plastic utensils on the nonstick grill surfaces. Do not use metal utensils as they will damage the nonstick surface.
- Cleanup is easy! Let grill cool down. Wipe grill surfaces with damp paper towel or dish cloth.

Grilling Chart

PREHEAT GRILL 5 MINUTES WITH COVER CLOSED.

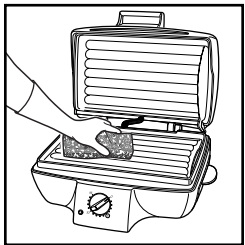
The following times are guidelines.

| FOOD | COOK TIME | DONENESS |
|---|-----------|---|
| Beef strip steak, boneless, fresh (8 oz.) | 5 min. | Slightly pink in center; brown on outside |
| Chicken breast, boneless, fresh (4-6 oz.) | 5-8 min. | No longer pink in center |
| Frankfurter (hot dog) | 5 min. | Heated through |
| Hamburger, fresh (4 oz.) | 5-7 min. | No longer pink in center |
| Pork chops, boneless, fresh (4 oz., ¾" thick) | 6-8 min. | No longer pink in center |
| Vegetables (frozen) | | |
| Peppers and onions | 6 min. | Cooked through |
| Potato wedges, frozen | 8 min. | Cooked through |
| Stir-fry vegetable mix | 6 min. | Tender-crisp |
| Vegetables (fresh) | | |
| Broccoli florets | 6 min. | Tender-crisp |
| Green or red bell pepper strips | 5 min. | Tender-crisp |
| Mushrooms, sliced | 6 min. | Tender-crisp |
| Onions, sliced | 4 min. | Soft |
| Zucchini or summer squash, sliced | 4 min. | Tender-crisp |
| Grilled Cheese or Cheese and Ham | 4-5 min. | Golden brown on outside; melted cheese |

Cleaning

NOTE: If your grill has removable grids, see the following section.

1. Unplug grill from electrical outlet and allow to cool slightly.
2. Wipe grilling surfaces with a paper towel to remove drippings.
3. Use the spatula/scrapper (available with select models) to scrape away cooked-on food or grease.
4. Use a damp sponge with a small



amount of dishwashing detergent to scrub grilling surfaces. See illustration. Rinse out sponge and wipe surfaces

clean. Use a clean, damp cloth to wipe surfaces again.

5. Do not use steel wool or any type of abrasive cleaner to clean the grill, as it will damage the nonstick grilling surface, and void the warranty.
6. Use a clean, damp cloth to wipe clean the outside of grill.
7. Empty drip cup. Wash drip cup and spatula/scrapper in hot, soapy water. Rinse and dry. (They can also be put in top rack of dishwasher.)
8. The grill can be stored, closed and upright, sitting on the hinge side.

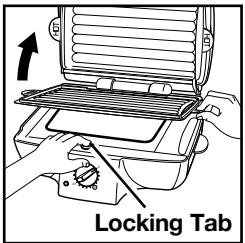
⚠ WARNING

Shock Hazard

- Do not immerse the grill in water.
- Do not clean the grill in the dishwasher.

Removable Grids (on select models)

1. Unplug grill from electrical outlet and allow to cool.
2. While holding grid, slide locking tab



to release grid. Open grill flat and repeat with other grid. **DO NOT REMOVE THE GRID WITH THE GRILL IN AN UPRIGHT**

POSITION. THE GRILL SHOULD BE FLAT TO REMOVE THE GRID.

3. Wash grids in hot soapy water. Rinse then dry. Grids may also be washed in dishwasher.

Recipes

These recipes were developed for use with all sizes of the Meal Maker Express™ Contact Grills. Some ingredients are listed as a range; for example, 2 or 4 slices of bread. Use the smaller amount for the small grill or if you're only cooking for two on the large grill. Use the larger amount for the large grill.

Guilt-Free Hash Browns

1½ or 3 cups frozen hash brown potatoes, Southern style
½ or 1 green onion, finely chopped (optional)

1. Spray grill with cooking spray. Preheat grill for 5 minutes.
2. Place potatoes and onion on grill. Close lid and cook 10 minutes or until potatoes are tender and browned.

Makes 2 or 4 servings.

Ham & Cheese on a Bagel

2 or 4 regular-sized bagels
4 or 8 slices (½ ounce each) American cheese
2 or 4 ounces thinly sliced ham

1. Preheat grill for 5 minutes.
2. Place bagel **tops** on grill. Close lid and heat 3 minutes. Remove and keep warm.
3. Meanwhile, place cheese slices on bagel **bottoms**. Top with ham. Place on grill. Cover and cook 3 minutes or until cheese melts. Top with bagel **tops**.

Makes 2 or 4 servings.

Toasted Peanut Butter & Jelly

4 or 8 slices firm white bread
Peanut butter
Jelly or jam

1. Spray grill with cooking spray. Preheat grill for 5 minutes.
2. On half of the slices of bread, spread peanut butter and jelly or jam. Top with remaining bread.
3. Close lid and cook sandwiches 5 minutes or until heated through.

Makes 2 or 4 servings.

Cinnamon French Toast

3 eggs
1/3 cup milk
1 tablespoon sugar
1/2 teaspoon vanilla
4 slices bread
Cinnamon

1. Spray grill with cooking spray. Preheat grill for 5 minutes.
2. In a medium shallow bowl, whisk together eggs, milk, sugar, and vanilla. Soak slices of bread in egg mixture.
3. On the small grill, place 2 slices of bread. Close lid and cook 4 minutes or until done. Repeat with remaining bread. OR,
4. On the large grill, place 2 slices of bread and top with the remaining slices of bread, making a French toast "sandwich." Close lid and cook 5 minutes or until done.
5. Sprinkle with cinnamon before serving with butter and syrup.

Makes 2 servings.

Pizza Burgers

1/2 or 1 pound lean ground beef
1/4 or 1/2 cup shredded mozzarella cheese (1 or 2 ounces)
1/4 or 1/2 teaspoon dried oregano leaves, crushed
2 or 4 sandwich-size English muffins, split and toasted

1. Preheat grill for 5 minutes.
2. Combine beef, cheese, and oregano. Mix well. Shape mixture into two or four 3 1/2-inch patties.
3. Place patties on grill. Close lid and cook 5 to 7 minutes or until beef is no longer pink. Serve on English muffins. Top with pizza sauce, if desired.

Makes 2 or 4 servings.

Grilled Ham & Cheese Special

4 or 8 slices rye bread
Thousand Island or Russian salad dressing
4 or 8 ounces thinly sliced ham
2 or 4 ounces thinly sliced Swiss cheese
1/2 or 1 cup deli coleslaw

1. Spray grill with cooking spray. Preheat grill for 5 minutes.
2. On half of the bread, spread salad dressing. Top with ham, cheese, and coleslaw. Top with remaining bread.
3. Close lid and cook sandwiches for 5 minutes or until heated through and cheese melts.

Makes 2 or 4 servings.

Turkey Garden Burgers

½ or 1 pound lean ground turkey
½ or 1 cup shredded carrot and zucchini
1 or 2 tablespoons finely chopped onion
1 tablespoon finely chopped fresh parsley
2 or 4 whole wheat or white sandwich buns

1. Spray grill with cooking spray. Preheat grill for 5 minutes.
2. Combine turkey, carrot and zucchini, onion, and parsley; mix well. Shape mixture into two or four 3½-inch patties.
3. Place patties on grill. Close lid and cook 5 to 6 minutes or until turkey is no longer pink. Serve on buns. Top with low-fat mayonnaise, lettuce and tomato, if desired.

Makes 2 or 4 servings.

Pepperoni Pizzawiches

2 or 4 English muffins, split
16 or 32 pepperoni slices
2 or 4 slices Cheddar or American cheese
4 to 8 tomato slices
Dried oregano leaves, crushed

1. Preheat grill for 5 minutes.
2. On half of muffin halves, layer pepperoni, cheese, and tomato. Sprinkle with oregano. Top with remaining muffin halves. Close lid and grill 5 minutes or until cheese melts.

Makes 2 or 4 servings.

Cheesy Bean Quesadillas

½ or 1 can (about 16 ounces) refried beans
4 or 8 flour tortillas (6-inch)
¼ or ½ cup shredded Cheddar cheese (1 or 2 ounces)
¼ or ½ cup picante sauce
1 to 3 green onions, sliced

1. Preheat grill for 5 minutes.
2. Spread beans on half of tortillas to within ½ inch of edges. Top each with cheese, picante sauce, and green onions. Moisten edges of tortillas with water. Top with remaining tortillas and press edges together. Cut each into halves.
3. Place one half on small grill or 4 halves on large grill. Close lid and cook 4 to 5 minutes. Remove from grill and cut each half into 3 triangles. Repeat with remaining quesadillas.

Makes 2 or 4 servings.

Tuna Burgers

1 or 2 cans (6 ounces each) chunk light tuna, drained and flaked
 ¼ or ½ cup dry bread crumbs
 ¼ or ½ cup finely chopped celery
 2 tablespoons or ¼ cup finely chopped onion
 1 or 2 tablespoons chopped fresh parsley
 2 tablespoons or ¼ cup salad dressing or mayonnaise

1. Spray grill with cooking spray. Preheat grill for 5 minutes.
2. For burgers, combine all ingredients and mix well. Shape mixture into two or four 3½-inch patties.
3. Close lid and cook 5 minutes or until burgers are lightly browned and heated through.

Makes 2 or 4 servings.

Grilled Chicken Caesar Salad

1 or 2 boneless, skinless chicken breast halves (about 4 or 8 ounces)
 1 egg white, beaten slightly
 2 tablespoons or ¼ cup grated Parmesan cheese
 3 or 6 cups coarsely cut-up romaine lettuce
 1 or 2 green onions, sliced
 ¼ or ½ cup croutons
 Caesar salad dressing

1. Spray grill with cooking spray. Preheat grill for 5 minutes.
2. Dip chicken into egg white and then coat with cheese.
3. Place chicken on grill. Close lid and cook 7 to 9 minutes or until no longer pink. Remove and let cool slightly.
4. Cut chicken into strips. Combine lettuce, green onions, croutons, and sliced chicken. Add enough salad dressing to taste. Toss to coat.

Makes 2 or 4 servings.

Grilled Vegetables on Italian Bread

½ or 1 small eggplant, cut into 4 or 8 (½-inch) slices
 ½ or 1 medium red bell pepper, cut into strips
 ½ or 1 medium onion, sliced
 1 or 2 cloves garlic, minced or ¼ teaspoon garlic powder
 ½ or 1 cup shredded mozzarella or pizza cheese
 ½ or 1 loaf Italian or French bread, about 12 ounces
 Italian salad dressing

1. Spray grill with cooking spray. Preheat grill for 5 minutes.
2. Place eggplant, pepper, onion, and garlic on grill. Close lid and cook 5 minutes or until vegetables are tender. Sprinkle with cheese.
3. Cut bread into lengthwise halves. Drizzle bread halves with salad dressing. Arrange vegetables with cheese on bottom half and top with remaining bread half. Cut into 2 or 4 sandwiches.

Makes 2 or 4 servings.

“Meatball” Sandwiches

½ or 1 pound lean ground beef
 ¼ or ½ cup dry Italian seasoned bread crumbs
 2 tablespoons or ¼ cup chopped onion
 ½ or 1 teaspoon dried basil leaves, crushed
 1 egg or 2 egg whites
 2 or 4 crusty Italian rolls, about 7 inches long
 1 8-oz. or 14-oz. jar spaghetti sauce, heated
 Grated Parmesan cheese

1. Spray grill with cooking spray. Preheat grill for 5 minutes.
2. In bowl, combine beef, bread crumbs, onion, basil, and egg; mix well. Shape mixture into two or four 3½-inch patties.
3. Place patties on grill. Close lid and cook 5 to 7 minutes or until beef is no longer pink. Cut each into 8 pieces. Place on rolls and top “meatballs” with hot spaghetti sauce. Sprinkle with cheese.

Makes 2 or 4 servings.

Speedy Beef and Mushrooms

½ or 1 pound sirloin steak strips
 1 or 2 cups sliced fresh mushrooms (3 or 6 ounces)
 ½ or 1 medium onion, sliced
 1 or 2 cloves garlic, minced or
 ⅛ or ¼ teaspoon garlic powder
 ¾ cup or 1 jar (12 ounces) beef gravy
 1 tablespoon Worcestershire sauce
 ¼ or ½ cup sour cream
 Hot cooked noodles

1. Spray grill with cooking spray. Preheat grill for 5 minutes.
2. Place beef strips on grill. Close lid and cook 4 minutes or until beef is browned and no longer pink. Remove.
3. Add mushrooms, onion, and garlic to grill. Close lid and cook 3 minutes or until vegetables are tender.
4. Meanwhile, heat gravy, Worcestershire sauce, and sour cream in saucepan. (Or, microwave on HIGH for 2 minutes or until hot.) Stir in cooked beef and mushroom mixture. Serve over noodles.

Makes 2 or 4 servings.

Orange Glazed Pork Chops

2 tablespoons or ¼ cup orange marmalade
 1 tablespoon soy sauce
 1 tablespoon lemon or lime juice
 ¼ teaspoon ground ginger
 2 or 4 boneless pork chops, ¾ inch thick (about 1 pound)

1. Preheat grill for 5 minutes.
2. For glaze, combine orange marmalade, soy sauce, lemon juice, and ginger. Place chops on grill. Pour glaze over chops. Close lid and cook 6 to 8 minutes or until chops are no longer pink. Remove chops and pour glaze from grill over all.

Makes 2 or 4 servings.

Really Easy Tacos

½ or 1 pound lean ground beef
¼ or ½ cup chopped onion
½ or 1 package (1¼ ounces) taco seasoning mix
6 or 12 taco shells
Shredded lettuce, chopped tomatoes, shredded cheddar cheese
Sour cream and/or salsa

1. Preheat grill for 5 minutes.
2. Crumble beef on grill and top with onion. Sprinkle with taco seasoning. Close lid and cook 4 minutes or until beef is no longer pink.
3. In each taco shell, place cooked beef mixture. Top with lettuce, tomatoes, and cheese. Add sour cream and/or salsa.

Makes 2 or 4 servings.

Steamed Shrimp

½ or 1 pound large shrimp with shells
2 tablespoons or ¼ cup vinegar
2 tablespoons or ¼ cup water
1 tablespoon shrimp/crab boil seasoning
½ teaspoon salt

1. Preheat grill for 5 minutes.
2. Arrange shrimp in a single layer on grill. Pour combined vinegar and water over all. Sprinkle with seasoning and salt. Close lid and cook 3 to 5 minutes or until shrimp turn pink.

Makes 2 or 6 appetizers.

Chicken & Pepper Wraps

½ or 1 pound boneless, skinless chicken breasts
½ or 1 cup picante sauce
1 or 2 medium green or red bell peppers, cut into strips
½ or 1 medium onion, sliced
¼ or ½ teaspoon dried oregano leaves, crushed
2 or 4 flour tortillas (8-inch)
½ or 1 cup shredded Cheddar cheese (2 or 4 ounces)

1. Spray grill with cooking spray. Preheat grill for 5 minutes.
2. Season chicken with salt, if desired. Place chicken on grill and brush with ¼ cup of the picante sauce. Close lid and cook 5 to 7 minutes or until chicken is no longer pink. Remove chicken and keep warm.
3. Place peppers and onion on grill. Sprinkle with oregano. Close lid and cook 3 minutes or until vegetables are tender-crisp.
4. Warm tortillas in microwave oven according to package directions. Slice chicken into thin strips and place down center of each tortilla. Top with pepper mixture and cheese. Fold over one side and then roll up. Serve with remaining picante sauce.

Makes 2 or 4 servings.

Chicken & Vegetable Packets

2 or 4 cooked chicken breasts (about ½ to 1 pound uncooked)*
14 or 28 frozen potato wedges with skin (about 12 ounces)
1 or 2 cups frozen peas
½ or 1 can (10½ ounces) condensed cream of mushroom soup
Dried thyme leaves, crushed

1. Preheat grill for 5 minutes.
2. Place 1 chicken breast in center of a piece of aluminum foil, about 12x16 inches long. Top each with layer of seven potato wedges, ½ cup peas and ¼ can mushroom soup. Sprinkle with thyme. Wrap with foil, making a 6x4-inch packet.
3. Place two packets on grill. Close lid and cook 8 minutes or until heated through.

*Note: To grill chicken breasts, see the "Grilling Chart" on page 6.

Makes 2 or 4 servings.

Spicy Pepper Steak

½ or 1 pound sirloin steak strips
1 or 2 small green or red bell peppers, cut into strips
½ or 1 medium onion, sliced
1 or 2 cloves garlic, minced or ¼ teaspoon garlic powder
½ or 1 jar (12 ounces) beef gravy
1 or 2 tablespoons soy sauce
¼ or ½ teaspoon crushed red pepper
Hot cooked rice

1. Spray grill with cooking spray. Preheat grill for 5 minutes.
2. Place beef strips on grill. Close lid and cook 4 minutes or until beef is browned and no longer pink. Remove and keep warm.
3. Add peppers, onion, and garlic to grill. Close lid and cook 3 minutes or until vegetables are tender-crisp.
4. Meanwhile, heat gravy, soy sauce, and crushed red pepper in saucepan. (Or, microwave on HIGH for 2 minutes or until hot.) Stir in cooked beef and vegetable mixture. Serve over rice.

Makes 2 or 4 servings.

Grilled Vegetable Medley

1 or 2 medium zucchini or yellow summer squash, sliced
½ or 1 medium onion, sliced
1 or 2 cups sliced fresh mushrooms (3 or 6 ounces)
1 or 2 medium or plum tomatoes, sliced
½ or 1 teaspoon dried basil leaves, crushed

1. Spray grill with cooking spray. Preheat grill for 5 minutes.
2. Place zucchini and onion on grill. Close lid and cook 5 minutes or until vegetables are tender.
3. Remove to serving dish and keep warm. Add mushrooms and tomatoes to grill. Sprinkle with basil. Close lid and cook 5 minutes.
4. Pour tomato mixture with cooking juices from drip tray over zucchini mixture and toss to mix. Season with salt and pepper, if desired.

Makes 2 or 4 servings.

Extra-Quick Chicken Caesar Salad

Slice one or two grilled chicken breasts (see the “Grilling Chart”). Toss with a bag of Complete Caesar Salad mix.

Barbecued Chicken Breasts

Top grilled chicken breasts (see the “Grilling Chart”) with barbecue sauce and shredded cheese.

Spicy Potato Wedges

Sprinkle cooked potato wedges (see the “Grilling Chart”) with chili powder.

Super Franks

Top grilled frankfurter with peppers and onions (see the “Grilling Chart”). Serve in buns with mustard and ketchup.

Customer Service

If you have a question about your grill, call our toll-free customer service number. Before calling, please note the model, type, and series numbers and fill in that information below. These numbers can be found on the bottom of your grill. This information will help us answer your question much more quickly.

MODEL: _____ **TYPE:** _____ **SERIES:** _____

This warranty applies to products purchased in the U.S. or Canada.

LIMITED WARRANTY

This product is warranted to be free from defects in material and workmanship for a period of one (1) year for Hamilton Beach products or one hundred eighty (180) days for Proctor-Silex and Traditions products from the date of original purchase, except as noted below. During this period, we will repair or replace this product, at our option, at no cost. THE FOREGOING WARRANTY IS IN LIEU OF ANY OTHER WARRANTY OR CONDITION, WHETHER EXPRESS OR IMPLIED, WRITTEN OR ORAL INCLUDING, WITHOUT LIMITATION, ANY STATUTORY WARRANTY OR CONDITION OF MERCHANTABILITY OR FITNESS FOR A PARTICULAR PURPOSE. ANY LIABILITY IS EXPRESSLY LIMITED TO AN AMOUNT EQUAL TO THE PURCHASE PRICE PAID, AND ALL CLAIMS FOR SPECIAL, INCIDENTAL AND CONSEQUENTIAL DAMAGES ARE HEREBY EXCLUDED. There is no warranty with respect to the following, which may be supplied with this product, including without limitation: glass parts, glass containers, cutter/strainers, blades, seals, gaskets, clutches, motor brushes, and/or agitators, etc. This warranty extends only to the original consumer purchaser and does not cover a defect resulting from abuse, misuse, neglect including failure to clean product regularly in accordance with manufacturer's instructions, use for commercial purposes, or any use not in conformity with the printed directions. This warranty gives you specific legal rights, and you may also have other legal rights which vary from state to state, or province to province. Some states or provinces do not allow limitations on implied warranties or special, incidental or consequential damages, so the foregoing limitations may not apply to you.

If you have a claim under this warranty, DO NOT RETURN THE APPLIANCE TO THE STORE! Please call our CUSTOMER SERVICE NUMBER. (For faster service please have model, series, and type numbers ready for operator to assist you.)

CUSTOMER SERVICE NUMBERS

In the U.S. 1-800-851-8900

In Canada 1-800-267-2826

hamiltonbeach.com or proctorsilex.com

KEEP THESE NUMBERS FOR FUTURE REFERENCE!

⚠️ AVERTISSEMENT

Risque d'électrocution

- N'immergez pas cet appareil dans l'eau ou tout autre liquide.
- Si la fiche de cet appareil refuse de s'introduire dans la prise :
 - Ne modifiez pas la fiche.
 - N'utilisez pas un adaptateur.
 - Demandez à un électricien de remplacer la prise électrique défectueuse.

IMPORTANTES INSTRUCTIONS

Nous vous enjoignons de bien suivre les instructions suivantes pour éviter le risque d'incendie, choc électrique, brûlures ou autre blessure, ou endommagement. Lors de l'utilisation d'appareils électroménagers, des précautions fondamentales de sécurité doivent toujours être observées, y compris ce qui suit :

1. Lire toutes les instructions.
2. Ne pas toucher les surfaces chaudes. Utiliser les poignées ou les boutons.
3. Pour protéger contre le risque de choc électrique, ne pas immerger l'appareil, le cordon ou la fiche dans l'eau ou autre liquide.
4. Une surveillance étroite est nécessaire lorsque cet appareil est utilisé par des enfants ou près d'eux.
5. Débrancher l'appareil de la prise de courant électrique lorsqu'il n'est pas utilisé et avant le nettoyage. Le laisser refroidir avant d'y ajouter ou d'y enlever des pièces et avant le nettoyage.
6. Ne pas faire fonctionner l'appareil avec une fiche ou un cordon endommagé, ou lorsque l'appareil ne fonctionne pas bien ou a été échappé ou endommagé d'une manière quelconque. Veuillez composer notre numéro d'assistance aux clients sans frais d'interurbain, pour des renseignements concernant l'examen, la réparation électrique, la réparation mécanique ou le réglage.
7. Ne pas utiliser à l'extérieur.
8. L'utilisation d'accessoires non recommandés par Hamilton Beach/Proctor-Silex, Inc. peut causer des blessures ou endommager gravement le gril.
9. Ne pas laisser le cordon pendre du bord d'une table ou d'un comptoir, ou toucher des surfaces chaudes, y compris la cuisinière.
10. Ne pas placer l'appareil sur ou près d'un brûleur chaud à gaz ou électrique, ou dans un four chaud. Ne pas utiliser ce gril près d'un four, d'une chaufferette ou d'un foyer.
11. Utiliser une précaution extrême lors du déplacement d'un appareil contenant de l'huile chaude ou autre liquide chaud.
12. Pour débrancher l'appareil, tourner le bouton de commande à "OFF", ensuite retirer la fiche de la prise de courant murale.
13. Ne pas utiliser l'appareil pour d'autres fonctions que l'utilisation déterminée.
14. Pour les unités dotées de plaques de cuisson amovibles, s'assurer qu'elles sont bien en place avant la cuisson.

CONSERVEZ CES INSTRUCTIONS!

Renseignements de sécurité aux consommateurs

Ce produit est destiné à l'utilisation domestique seulement.

Pour éviter que le circuit électrique soit surchargé, ne pas utiliser un autre appareil électrique de haute tension sur le même circuit que celui du gril.

La longueur du cordon de cet appareil a été choisie de façon à ce que l'on ne risque pas de trébucher dessus. Si un cordon plus long est nécessaire, utiliser une rallonge appropriée. Le calibrage de la rallonge doit être le même que celui de l'appareil ou

supérieur. Lorsqu'on utilise une rallonge, s'assurer qu'elle ne traverse pas la zone de travail, que des enfants ne puissent pas tirer dessus par inadvertance et qu'on ne puisse pas trébucher dessus.

Si on utilise une rallonge, la connecter d'abord à l'appareil, puis dans la prise.

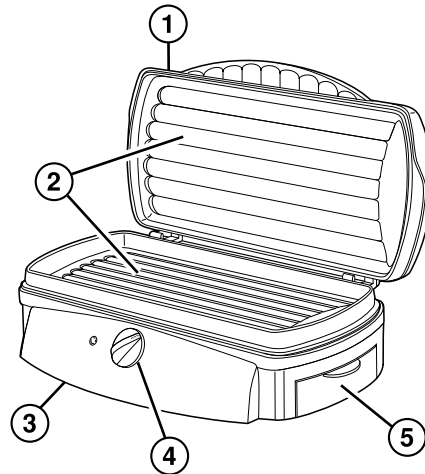
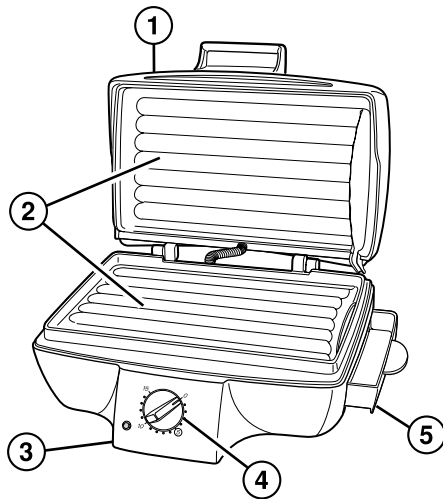
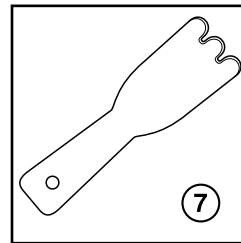
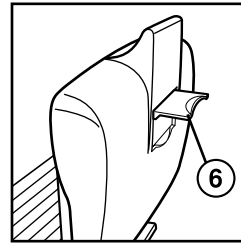
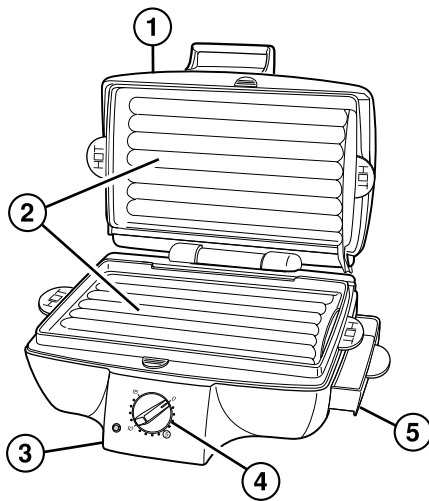
Toujours utiliser une mitaine de four pour protéger la main quand on soulève le couvercle du gril.

MISE EN GARDE : La vapeur qui s'échappe peut causer des brûlures.

Nomenclature

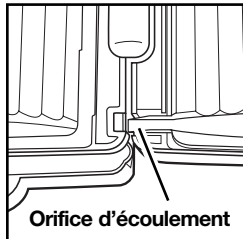
Pièces et caractéristiques

1. Couvercle
2. Surfaces de cuisson antiadhésives
3. Base
4. Minuterie
5. Ramasse-gouttes
6. Pied d'appui
7. Spatule/racloir (avec certains modèles)

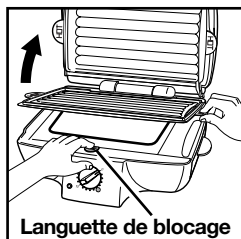


Caractéristiques optionnelles (sur certains modèles)

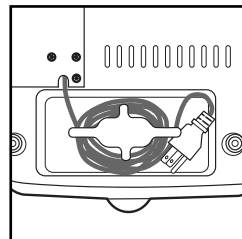
Orifice d'écoulement



Grilles amovibles



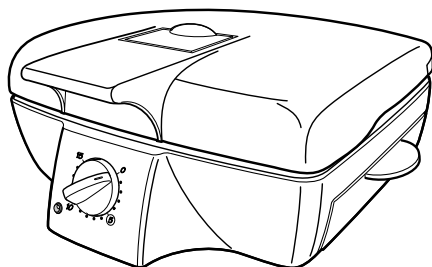
Enroulement de cordon



Options de cuisson au grill

Le grill peut être utilisé de deux façons différentes :

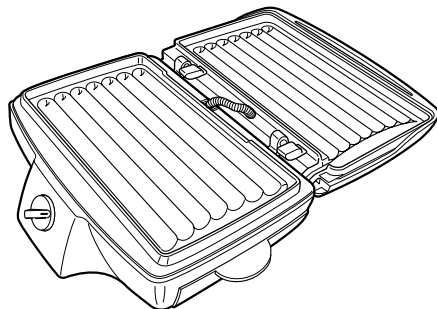
Avec couvercle fermé



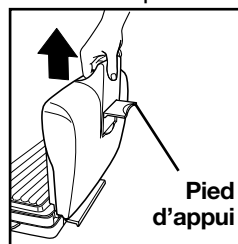
Cette façon fera cuire les aliments les deux côtés à la fois. C'est la méthode la plus rapide.

Cuisson à plat

Ouvrir le grill pour plus d'espace de cuisson. Cette façon demandera plus de temps de cuisson, mais on peut cuire deux fois plus de quantité en même temps.

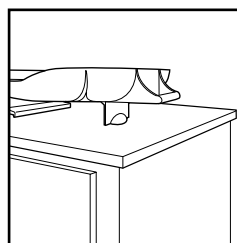


1. Soulever le pied d'appui, ensuite



soulever le couvercle verticalement (cette action dégagera la charnière verrouillée).

2. Abaisser le couvercle aussi loin que possible à la position à plat.

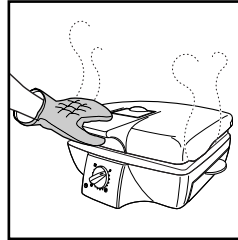


Utilisation du grill

AVANT LE PREMIER EMPLOI : Veuillez laver les surfaces de cuisson du grill en suivant les instructions de la rubrique "Nettoyage".

1. Brancher dans une prise de courant CA de 120 volts.
2. Brosser les surfaces du grill à l'huile ou vaporiser un produit à cuisson non adhésif.
3. Préchauffer le grill en tournant la minuterie à 5 minutes. Garder le couvercle fermé.
4. Lorsque l'appareil est réchauffé, soulever le couvercle du grill. Placer l'aliment à cuire sur le grill et abaisser le couvercle. Toujours utiliser le grill avec le ramasse-gouttes en place.
5. Régler la minuterie. La lumière ON s'allumera lorsque la minuterie est réglée.

6. Quand la minuterie se fait entendre, utiliser une mitaine de protection contre la chaleur et soulever soigneusement le couvercle du grill et vérifier l'aliment pour voir s'il est cuit



au degré désiré. Ne pas couper l'aliment sur la surface du grill non adhésive. Si un temps de cuisson plus long est requis, régler de nouveau la minuterie.

7. Pour tourner l'aliment, se servir de la spatule/racloir incluse avec le grill, ou un autre ustensile sans danger pour les surfaces antiadhésives.
8. Lorsque l'aliment est cuit au degré désiré, l'enlever et débrancher le grill. Laisser refroidir légèrement avant le nettoyage.

Conseils pour la cuisson au grill

- **PRÉCHAUFFEZ TOUJOURS LE GRILL 5 MINUTES AVANT DE L'UTILISER.**
- Lisez le guide d'utilisation et d'entretien du grill avant de l'utiliser.
- La cuisson au grill est facile, parce qu'on peut griller des viandes, cuire des oignons, griller ou sauter des légumes, cuire du poisson à l'étuvée et griller des sandwiches sans trop de surveillance.
- Utilisez le grill pour «apprêter et cuire» les aliments pour les recettes traditionnelles suivantes : boeuf haché pour la sauce à spaghetti ou boeuf sauté pour un plat chinois. Étant donné que le grill cuit dessus et dessous en même temps, il n'est pas nécessaire de remuer les aliments pendant la cuisson.
- On peut également faire cuire des pommes de terre frites légères sans ajout d'huile ou préparer un parfait pain doré, sans avoir à le retourner pendant la cuisson.
- Utilisez de l'aérosol de cuisine pour éviter que les aliments collent. Ou, si vous préférez, badigeonnez la surface du grill d'huile végétale avant de le préchauffer.
- Utilisez des ustensiles en plastique sur les surfaces antiadhésives du grill. Ne pas utiliser d'ustensiles en métal; ils endommageront la surface antiadhésive.
- Nettoyer le grill est un jeu d'enfant! Laissez-le refroidir, puis essuyez les surfaces à l'aide d'un essuie-tout ou d'un chiffon à vaisselle mouillé.

Tableau de grillades

PRÉCHAUFFER LE GRIL PENDANT 5 MINUTES AVEC LE COUVERCLE FERMÉ.

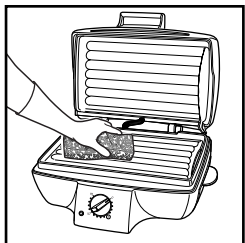
Les temps de cuisson suivants sont donnés à titre indicatif.

| PLAT | TEMPS DE CUISSON | INDICATEUR DE CUISSON |
|--|------------------|---|
| Bifteck en lanières, désossé, frais (8 oz) | 5 min | Légèrement rose au milieu, brun à l'extérieur |
| Poitrine de poulet, désossée, fraîche (4 à 6 oz) | 5 à 8 min | Entièrement cuite à l'intérieur |
| Saucisses de Francfort | 5 min | Entièrement cuits |
| Hamburger, frais (4 oz) | 5 à 7 min | Entièrement cuit à l'intérieur |
| Côtelettes de porc, désossées, fraîches (4 oz, ¾ po d'épaisseur) | 6 à 8 min | Entièrement cuites à l'intérieur |
| Légumes (congelés) Poivrons et oignons | 6 min | Entièrement cuits |
| Quartiers de pommes de terre congelés | 8 min | Entièrement cuits |
| Mélange de légumes à sauter | 6 min | Tendres-croquants |
| Légumes (frais) Fleurons de brocoli | 6 min | Tendres-croquants |
| Lanières de poivrons rouges ou verts | 5 min | Tendres-croquants |
| Champignons, tranchés | 6 min | Tendres-croquants |
| Oignons, tranchés | 4 min | Mous |
| Courgettes ou courges jaunes, tranchées | 4 min. | Tendres-croquantes |
| Sandwich au fromage fondu ou au jambon et fromage | 4 à 5 min. | Doré à l'extérieur; fromage fondu |

Nettoyage

REMARQUE : Si votre gril comporte des grilles amovibles, voir la section suivante.

1. Débrancher le gril de la prise de courant et le laisser refroidir légèrement.
2. Essuyer les surfaces de cuisson avec un essuie-tout pour enlever les gouttes.
3. Utiliser la spatule/racloir pour enlever les résidus d'aliments cuits ou la graisse.
4. Utiliser une éponge humide avec une



petite quantité de détergent à lave-vaisselle pour frotter les surfaces de cuisson. Voir illustration.

Rincer l'éponge et essuyer les surfaces. Utiliser un chiffon humide propre pour essuyer de nouveau les surfaces.

5. Ne pas utiliser de laine d'acier ou de nettoyants abrasifs pour nettoyer le gril; vous risquez d'endommager la surface de cuisson antiadhésive et la garantie ne sera pas valable.
6. Utiliser un chiffon propre et humide pour essuyer l'extérieur du gril.
7. Vider le ramasse-gouttes. Laver le ramasse-gouttes et la spatule/racloir dans de l'eau chaude savonneuse. Rincer et sécher. (Ils peuvent aussi être lavés dans le panier supérieur du lave-vaisselle.)
8. Le gril peut être remis, fermé et vertical, en reposant sur le côté des charnières.

⚠ AVERTISSEMENT

Risque d'électrocution

- Ne pas immerger le gril dans l'eau.
- Ne pas laver le gril au lave-vaisselle.

Grilles amovibles (sur certains modèles)

1. Débrancher le gril de la prise de courant et le laisser refroidir.
2. Tout en tenant la grille, glisser la



Languette de blocage

languette de blocage pour libérer la grille. Ouvrir le gril à plat et répéter avec l'autre grille. **NE PAS ENLEVER LA GRILLE SI LE**

GRIL EST À LA VERTICALE. LE GRIL DOIT ÊTRE À PLAT POUR ENLEVER LA GRILLE.

3. Laver les grilles dans de l'eau chaude savonneuse. Rincer, puis sécher. Les grilles peuvent aussi être lavées dans le lave-vaisselle.

Recettes

Ces recettes ont été élaborées pour utilisation avec toute taille de gril de contact Meal Maker Express.™ Les ingrédients sont mentionnés en conséquence; par exemple, 2 ou 4 tranches de pain. Utiliser la quantité plus petite pour le petit gril ou si vous faites cuire pour deux personnes sur le gros gril. Utiliser la quantité plus grande pour le gros gril.

Bagel au jambon et au fromage

2 ou 4 bagels ordinaires
4 ou 8 tranches (½ once chaque) de fromage américain
2 ou 4 onces de jambon finement tranché

1. Préchauffer le gril pendant 5 minutes.
2. Déposer le **dessus** des bagels sur le gril. Abaisser le couvercle et chauffer pendant 3 minutes. Retirer et garder au chaud.
3. Entre temps, déposer les tranches de fromage sur la partie **inférieure** des bagels. Recouvrir du jambon. Mettre sur le gril. Couvrir et cuire pendant 3 minutes, ou jusqu'à ce que le fromage soit fondu. Recouvrir du **dessus** des bagels. **2 ou 4 portions**

Sandwich toasté au beurre d'arachides et à la gelée

4 ou 8 tranches de pain blanc ferme
Beurre d'arachides
Gelée ou confiture

1. Vaporiser le gril d'aérosol de cuisine. Préchauffer le gril pendant 5 minutes.
2. Tartiner la moitié des tranches de pain de beurre d'arachides et de gelée ou de confiture. Recouvrir des quatre autres tranches.
3. Abaisser le couvercle et cuire les sandwiches pendant 5 minutes ou jusqu'à ce qu'ils soient bien chauds. **2 ou 4 portions**

Pain doré à la cannelle

3 oeufs
⅓ tasse de lait
1 cuillère à soupe de sucre
½ cuillère à thé de vanille
4 tranches de pain
Cannelle

1. Vaporiser le gril d'aérosol de cuisine. Préchauffer le gril pendant 5 minutes.
2. Dans un bol moyen peu profond, battre les oeufs, le lait, le sucre et la vanille. Tremper le pain dans le mélange d'oeufs.
3. Sur un petit gril, déposer 2 tranches de pain. Abaisser le couvercle et cuire pendant 4 minutes ou jusqu'à cuisson complète. Répéter avec le reste du pain OU,
4. Sur le gros gril, déposer 2 tranches de pain et recouvrir des tranches de pain qui restent pour un "sandwich" au pain doré. Abaisser le couvercle et cuire pendant 5 minutes ou jusqu'à cuisson complète.
5. Saupoudrer de cannelle avant de servir avec du beurre et du sirop. **2 portions**

Pommes de terre rissolées légères

1½ ou 3 tasses de pommes de terre râpées congelées, style méridional
½ ou 1 oignon vert, finement haché (facultatif)

1. Vaporiser le gril d'aérosol de cuisine. Préchauffer le gril pendant 5 minutes.
2. Déposer les pommes de terre et les oignons sur le gril. Abaisser le couvercle et cuire pendant 10 minutes ou jusqu'à ce que les pommes de terre soient tendres et dorées. **2 ou 4 portions**

Burgers à la sauce pizza

½ ou 1 livre de boeuf haché maigre
¼ ou ½ tasse de mozzarella râpée (1 ou 2 onces)
¼ ou ½ cuillère à thé de feuilles d'origan séchées, écrasées
2 ou 4 muffins anglais pour sandwiches, coupés en deux et toastés

1. Préchauffer le gril pendant 5 minutes.
2. Bien mélanger le boeuf haché, le fromage et l'origan. Former deux ou quatre galettes de 3½ po.
3. Déposer les galettes sur le gril. Abaisser le couvercle et cuire pendant 5 à 7 minutes ou jusqu'à ce que le boeuf soit bien cuit. Servir sur des muffins anglais. Recouvrir de sauce pizza, si désiré. **2 ou 4 portions**

Sandwich spécial au jambon et au fromage

4 ou 8 tranches de pain de seigle
Vinaigrette des Mille Îles ou russe
4 ou 8 onces de jambon finement tranché
2 ou 4 onces de fromage suisse finement tranché
½ ou 1 tasse de salade de chou

1. Vaporiser le gril d'aérosol de cuisine. Préchauffer le gril pendant 5 minutes.
2. Tartiner la moitié des tranches de pain de vinaigrette. Recouvrir de jambon, fromage et salade de chou. Recouvrir le tout des autres tranches de pain.
3. Abaisser le couvercle et cuire les sandwiches pendant 5 minutes ou jusqu'à ce qu'ils soient bien chauds et que le fromage soit fondu. **2 ou 4 portions**

Burgers à la dinde et aux légumes potagers

½ ou 1 lb de dinde hachée maigre
½ ou 1 tasse de carottes et de courgettes râpées en filaments
1 ou 2 cuillères à soupe d'oignons finement hachés
1 cuillère à soupe de persil frais finement haché
2 ou 4 petits pains à sandwich au blé entier ou blancs

1. Vaporiser le gril d'aérosol de cuisine. Préchauffer le gril pendant 5 minutes.
2. Bien mélanger la dinde, les carottes et les courgettes, les oignons et le persil. Former 2 ou 4 galettes de 3½ po.
3. Déposer les galettes sur le gril. Abaisser le couvercle et cuire pendant 5 à 6 minutes ou jusqu'à ce que la dinde soit bien cuite. Servir sur les petits pains. Recouvrir de mayonnaise allégée, de laitue et d'une tranche de tomate, si désiré.

2 ou 4 portions

24

Pizzawiches au pepperoni

2 ou 4 muffins anglais, coupés en deux
16 ou 32 tranches de pepperoni
2 ou 4 tranches de fromage fondu américain ou cheddar
4 à 8 tranches de tomate
Feuilles d'origan séchées, écrasées

1. Préchauffer le gril pendant 5 minutes.
2. Sur la moitié des moitiés de muffins, déposer le pepperoni, le fromage et les tomates. Saupoudrer d'origan. Recouvrir des autres moitiés. Abaisser le couvercle et griller pendant 5 minutes ou jusqu'à ce que le fromage soit fondu.

2 ou 4 portions

Quesadillas aux haricots et au fromage

½ ou 1 boîte de haricots frits (environ 16 oz)
4 ou 8 tortillas (6 po)
¼ ou ½ tasse de fromage cheddar râpé (1 ou 2 oz)
¼ ou ½ tasse de sauce piquante
1 ou 3 oignons verts, tranchés

1. Préchauffer le gril pendant 5 minutes.
2. Tartiner la moitié des tortillas de haricots frits, jusqu'à ½ po du rebord. Recouvrir de fromage, sauce piquante et oignons verts. Mouiller les rebords des tortillas. Recouvrir des autres tortillas et coller les rebords ensemble. Couper chaque «sandwich» en deux.
3. Placer une moitié sur le petit gril ou 4 moitiés sur le gros gril. Abaisser le couvercle et cuire pendant 4 à 5 minutes. Retirer du gril et couper chaque moitié en trois triangles. Répéter avec les autres quesadillas. **2 ou 4 portions**

Burgers au thon

1 ou 2 boîtes (de 6 oz chaque) de thon léger en morceaux, égoutté et émietté
¼ ou ½ tasse de miettes de pain sec
¼ ou ½ tasse de céleri finement haché
2 c. à soupe ou ¼ tasse d'oignon finement haché
1 ou 2 cuillères à soupe de persil frais haché
2 c. à soupe ou ¼ tasse de vinaigrette à salade ou de mayonnaise

1. Vaporiser le gril d'aérosol de cuisine. Préchauffer le gril pendant 5 minutes.
2. Pour les burgers, bien mélanger tous les ingrédients. Former deux ou quatre galettes de 3½ po.
3. Abaisser le couvercle et cuire pendant 5 minutes ou jusqu'à ce que les burgers soient légèrement dorés et bien chauds. **2 ou 4 portions**

Salade César au poulet grillé

1 ou 2 moitiés de poitrine de poulet désossée et sans peau (environ 4 ou 8 oz)
 1 blanc d'oeuf, légèrement battu
 2 c. à soupe ou ¼ tasse de parmesan râpé
 3 ou 6 tasses de laitue romaine coupée grossièrement
 1 ou 2 oignons verts, tranchés
 ¼ ou ½ tasse de croûtons
 Vinaigrette à salade César

1. Vaporiser le gril d'aérosol de cuisine. Préchauffer le gril pendant 5 minutes.
2. Tremper le poulet dans le blanc d'oeuf et le recouvrir de fromage.
3. Déposer le poulet sur le gril. Abaisser le couvercle et cuire pendant 7 à 9 minutes ou jusqu'à ce que le poulet soit bien cuit. Retirer du gril et laisser refroidir légèrement.
4. Couper le poulet en lanières. Mélanger la laitue, les oignons verts, les croûtons et le poulet en lanières. Ajouter de la vinaigrette, au goût. Brassier. **2 ou 4 portions**

Légumes grillés sur pain italien

½ ou 1 petite aubergine, coupée en 8 tranches (½ po)
 ½ ou 1 poivron rouge moyen, coupé en lanières
 ½ ou 1 oignon moyen, tranché
 1 ou 2 gousses d'ail, émincées, ou ¼ cuillère à thé de poudre d'ail
 ½ ou 1 tasse de mozzarella ou de fromage à pizza râpé
 ½ ou 1 miche de pain italien ou français, environ 12 oz
 Vinaigrette italienne

1. Vaporiser le gril d'aérosol de cuisine. Préchauffer le gril pendant 5 minutes.
2. Déposer l'aubergine, le poivron, l'oignon et l'ail sur le gril. Abaisser le couvercle et cuire pendant 5 minutes ou jusqu'à ce que les légumes soient tendres. Saupoudrer de fromage.
3. Couper le pain en deux, dans le sens de la longueur. Mouiller légèrement les deux moitiés de pain de vinaigrette. Disposer les légumes et le fromage sur la moitié inférieure et recouvrir de la moitié supérieure. Couper en 2 ou 4 sandwiches. **2 ou 4 portions**

Sandwiches aux «boulettes de viande»

½ ou 1 livre de boeuf haché maigre
 ¼ ou ½ tasse de miettes de pain assaisonnées à l'italienne
 2 c. à soupe ou ¼ tasse d'oignons hachés
 ½ ou 1 cuillère à thé de feuilles de basilic séchées, écrasées
 1 oeuf ou 2 blancs d'oeufs
 2 ou 4 petits pains italiens croustillants d'environ 7 po de long
 1 pot (de 8 oz ou 14 oz) de sauce à spaghetti, réchauffée
 Parmesan râpé

1. Vaporiser le gril d'aérosol de cuisine. Préchauffer le gril pendant 5 minutes.
2. Dans un plat, bien mélanger le boeuf, les miettes de pain, les oignons, le basilic et l'oeuf. Former deux ou quatre galettes de 3½ po.
3. Déposer les galettes sur le gril. Abaisser le couvercle et cuire pendant 5 à 7 minutes ou jusqu'à ce que le boeuf soit bien cuit. Couper chaque galette en 8 morceaux. Déposer sur le pain et recouvrir les «boulettes de viande» de sauce à spaghetti chaude. Saupoudrer de fromage. **2 ou 4 portions**

Boeuf et champignons minute

½ ou 1 livre de lanières de bifteck de surlonge
 1 ou 2 tasses de champignons frais tranchés (3 ou 6 oz)
 ½ ou 1 oignon moyen, tranché
 1 ou 2 gousses d'ail, émincées ou ⅛ ou ¼ cuillère à thé de poudre d'ail
 ¾ de tasse ou 1 pot (12 oz) de jus de viande de boeuf
 1 cuillère à soupe de sauce Worcestershire
 ¼ ou ½ tasse de crème sure
 Nouilles cuites chaudes

1. Vaporiser le gril d'aérosol de cuisine. Préchauffer le gril pendant 5 minutes.
2. Déposer les lanières de boeuf sur le gril. Abaisser le couvercle et cuire pendant 4 minutes ou jusqu'à ce que le boeuf soit doré et bien cuit. Retirer.
3. Déposer les champignons, les oignons et l'ail sur le gril. Abaisser le couvercle et cuire pendant 3 minutes ou jusqu'à ce que les légumes soient tendres.
4. Entre temps, chauffer le jus de viande, la sauce Worcestershire et la crème sure dans une poêle (ou au micro-ondes sur HIGH pendant 2 minutes ou jusqu'à ce que le mélange soit chaud). Ajouter le mélange de boeuf et champignons. Servir sur des nouilles. **2 ou 4 portions**

Côtelettes de porc glacées à l'orange

2 c. à soupe ou ¼ tasse de marmelade d'oranges
 1 cuillère à soupe de sauce soja
 1 cuillère à soupe de jus de citron ou de lime
 ¼ cuillère à thé de gingembre moulu
 2 ou 4 côtelettes de porc désossées, d'une épaisseur de ¾ po (environ 1 lb)

1. Préchauffer le gril pendant 5 minutes.
2. Pour le glaçage, mélanger la marmelade d'oranges, la sauce soja, le jus de citron et le gingembre. Déposer les côtelettes sur le gril. Napper les côtelettes du glaçage préparé. Abaisser le couvercle et cuire pendant 6 à 8 minutes ou jusqu'à ce que les côtelettes soient bien cuites. Retirer les côtelettes et verser le glaçage dessus. **2 ou 4 portions**

Tacos vraiment faciles à faire

½ ou 1 lb de boeuf haché maigre
 ¼ ou ½ tasse d'oignons hachés
 ½ ou 1 emballage (1¼ oz) de mélange d'assaisonnement à taco
 6 ou 12 coquilles à taco
 Laitue coupée en lanières, tomates hachées, cheddar râpé
 Crème sure et/ou salsa

1. Préchauffer le gril pendant 5 minutes.
2. Défaire le boeuf haché sur le gril et le recouvrir des oignons. Saupoudrer d'assaisonnement pour taco. Abaisser le couvercle et cuire pendant 4 minutes ou jusqu'à ce que le boeuf soit bien cuit.
3. Remplir chaque coquille de taco du mélange de boeuf. Recouvrir de laitue, tomates et fromage. Ajouter de la crème sure et/ou de la salsa. **2 ou 4 portions**

Tortillas au poulet et aux poivrons

- ½ ou 1 lb de poitrines de poulet désossées, sans peau
- ½ ou 1 tasse de sauce piquante
- 1 ou 2 poivrons moyens verts ou rouges, coupés en lanières
- ½ ou 1 oignon moyen, tranché
- ¼ ou ½ c. à thé de feuilles d'origan sèches, écrasées
- 2 ou 4 tortillas à la farine (8 po)
- ½ ou 1 tasse de fromage cheddar râpé (2 ou 4 oz)

1. Vaporiser le gril d'aérosol de cuisine. Préchauffer le gril pendant 5 minutes.
2. Assaisonner le poulet de sel, si désiré. Placer le poulet sur le gril et le badigeonner de ¼ de tasse de sauce piquante. Abaisser le couvercle et cuire pendant 5 à 7 minutes ou jusqu'à ce que le poulet soit bien cuit. Retirer le poulet et le garder au chaud.
3. Déposer les poivrons et l'oignon sur le gril. Saupoudrer d'origan. Couvrir et cuire pendant 3 minutes ou jusqu'à ce que les légumes soient mi-tendres, mi-croquants.
4. Réchauffer les tortillas au micro-ondes en suivant les instructions sur l'emballage. Trancher le poulet en lanières minces et les déposer au centre de chaque tortilla. Recouvrir du mélange de poivrons et du fromage. Replier un côté puis rouler. Servir avec le reste de la sauce piquante. **2 ou 4 portions**

Galettes au poulet et aux légumes

- 2 ou 4 poitrines de poulet cuites (cru, environ ½ à 1 lb chacune)*
- 14 ou 28 quartiers de pommes de terre congelés avec la peau (environ 12 oz)
- 1 ou 2 tasses de pois congelés
- ½ ou 1 boîte (10½ oz) de crème de soupe aux champignons condensée
- Feuilles de thym séchées, écrasées

1. Préchauffer le gril pendant 5 minutes.
2. Déposer 1 poitrine de poulet sur chaque feuille de papier d'aluminium, coupée à environ 12 x 16 po. Recouvrir de 7 quartiers de pommes de terre, de ½ tasse de pois et de ¼ boîte de soupe aux champignons. Saupoudrer de thym. Envelopper pour former des galettes de 6 x 4 po.
3. Déposer 2 galettes sur le gril. Abaisser le couvercle et cuire pendant 8 minutes ou jusqu'à ce que le tout soit bien chaud.

* Remarque : Pour griller les poitrines de poulet, se reporter au «Tableau de grillades» à la page 6. **2 ou 4 portions**

Crevettes vapeur

- ½ ou 1 lb de grosses crevettes en carapace
- 2 c. à soupe ou ¼ tasse de vinaigre
- 2 c. à soupe ou ¼ tasse d'eau
- 1 cuillère à soupe d'assaisonnement à crevettes/crabe
- ½ cuillère à thé de sel

1. Préchauffer le gril pendant 5 minutes.
2. Disposer les crevettes en une seule couche sur le gril. Recouvrir du mélange de vinaigre et d'eau. Saupoudrer d'assaisonnement à crevettes/crabe et de sel. Abaisser le couvercle et cuire pendant 3 à 5 minutes ou jusqu'à ce que les crevettes soient roses. **2 ou 6 portions de hors-d'oeuvre**

Bifteck épicié au poivre

½ ou 1 lb de lanières de bifteck de surlonge
1 ou 2 petits poivrons rouges ou verts, coupés en lanières
½ ou 1 oignon moyen, tranché
1 ou 2 gousses d'ail, émincées, ou ¼ cuillère à thé de poudre d'ail
½ ou 1 pot (12 oz) de jus de viande de boeuf
1 ou 2 cuillères à soupe de sauce soja
¼ ou ½ cuillère à thé de piment de Cayenne écrasé
Riz cuit chaud

1. Vaporiser le gril d'aérosol de cuisine. Préchauffer le gril pendant 5 minutes.
2. Déposer les lanières de boeuf sur le gril. Abaisser le couvercle et cuire pendant 4 minutes ou jusqu'à ce que le boeuf soit doré et bien cuit. Retirer et garder au chaud.
3. Ajouter les poivrons, les oignons et l'ail sur le gril. Abaisser le couvercle et cuire pendant 3 minutes ou jusqu'à ce que les légumes soient mi-tendres mi-croquants.
4. Entre temps, chauffer le jus de viande avec la sauce soja et le piment de Cayenne dans une poêle (ou au micro-ondes sur HIGH pendant 2 minutes ou jusqu'à ce que le tout soit bien chaud). Ajouter le boeuf cuit et le mélange de légumes. Servir sur du riz. **2 ou 4 portions**

Macédoine de légumes grillés

1 ou 2 courgettes ou courges jaunes moyennes, tranchées
½ ou 1 oignon moyen, tranché
1 ou 2 tasses de champignons frais tranchés (3 ou 6 oz)
1 ou 2 tomates moyennes ou italiennes, tranchées
½ ou 1 cuillère à thé de feuilles de basilic séchées, écrasées

1. Vaporiser le gril d'aérosol de cuisine. Préchauffer le gril pendant 5 minutes.
2. Déposer les courgettes et les oignons sur le gril. Abaisser le couvercle et cuire pendant 5 minutes ou jusqu'à ce que les légumes soient tendres.
3. Verser dans un plat de service et garder au chaud. Mettre les champignons et les tomates sur le gril. Saupoudrer de basilic. Abaisser le couvercle et cuire pendant 5 minutes.
4. Verser le mélange de tomates, avec le jus de cuisson du plateau ramasse-sauce sur le mélange de courgettes et bien remuer. Assaisonner de sel et de poivre, si désiré. **2 ou 4 portions**

Salade César au poulet extra vite faite

Trancher 1 ou 2 poitrines de poulet grillées (voir le «Tableau de grillades »). Ajouter à un sac de mélange à salade César.

Poitrines de poulet grillées

Recouvrir les poitrines de poulet grillées (voir le «Tableau de grillades ») de sauce barbecue et de fromage râpé.

Quartiers de pommes de terre épicés

Saupoudrer les quartiers de pommes de terre cuits (voir le «Tableau de grillades ») de poudre de chili.

Super saucisses de Francfort

Recouvrir les saucisses de Francfort grillées de poivrons et d'oignons (voir le «Tableau de grillades »). Servir sur des petits pains avec de la moutarde et du ketchup.

Service aux clients

Si vous avez une question au sujet du gril, composer notre numéro sans frais d'interurbain de service aux clients. Avant de faire un appel, veuillez noter le modèle, le type et les numéros de série, et fournir ces renseignements ci-dessous. Ces numéros se trouvent à la base du gril. Ces renseignements nous aideront à répondre beaucoup plus vite à toute question.

MODÈLE : _____ **TYPE :** _____ **SÉRIE :** _____

Cette garantie s'applique aux produits achetés aux É.-U. ou au Canada.

GARANTIE LIMITÉE

Ce produit est garanti contre tout vice de main-d'œuvre ou de matériau pendant une période d'un (1) an pour les produits Hamilton Beach et cent quatre-vingt (180) jours pour les produits Proctor Silex et Traditions, à partir de la date de son achat original, à l'exception des modalités suivantes. Pendant cette période, nous réparerons ou nous remplacerons ce produit à notre choix, gratuitement. LA PRÉSENTE GARANTIE REMPLACE TOUTE AUTRE GARANTIE OU CONDITION, QU'ELLE SOIT EXPRESSE OU IMPLICITE, ÉCRITE OU ORALE, Y COMPRIS, SANS S'Y LIMITER, TOUTE GARANTIE STATUTAIRE OU DE QUALITÉ MARCHANDE OU DE CONVENANCE À UN USAGE PARTICULIER. TOUTE RESPONSABILITÉ EST EXPRESSÉMENT LIMITÉE À UN MONTANT ÉGAL AU PRIX D'ACHAT PAYÉ, ET TOUTE RÉCLAMATION POUR DOMMAGE SPÉCIAL, INCIDENT ET CONSÉQUENT EST PAR LA PRÉSENTE EXCLUE. Il n'y a pas de garantie à l'égard des articles suivants qui sont sujet à usure, qui peuvent être fournis avec ce produit, y compris, sans s'y limiter : pièces en verre, contenants en verre, couteaux/tamis, lames, joints, joints d'étanchéité, embrayages, brosses à moteur et/ou agitateurs, etc. Cette garantie ne s'étend qu'au consommateur acheteur initial et ne couvre pas une panne due à une mauvaise utilisation, un mauvais traitement, de la négligence, y compris l'absence de nettoyer le produit régulièrement conformément aux instructions du fabricant, utilisation à des fins commerciales ou tout usage non conforme aux instructions imprimées. Cette garantie vous donne des droits juridiques particuliers et vous pouvez avoir également d'autres droits juridiques qui varient selon l'État ou selon la province. Certains États ou provinces ne permettent pas de limite sur les garanties impliquées sur les dommages incidents, conséquents ou spéciaux et par conséquent les limites ci-dessus peuvent ne pas s'appliquer à vous.

Si vous avez une réclamation sous cette garantie, NE RENVOYEZ PAS L'APPAREIL AU MAGASIN. Veuillez appeler LE NUMÉRO DE SERVICE À LA CLIENTÈLE (pour un service plus rapide, veuillez préparer les numéros de modèle, de série et de type pour permettre à la standardiste de vous aider).

NUMÉROS DU SERVICE À LA CLIENTÈLE

Aux États-Unis 1-800-851-8900

Au Canada 1-800-267-2826

hamiltonbeach.com • proctorsilex.com

CONSERVEZ CES NUMÉROS POUR RÉFÉRENCE ULTÉRIEURE !

⚠️ ADVERTENCIA

Peligro de choque eléctrico

- No sumerja este aparato en agua u otro líquido.
- Si el enchufe de este aparato no calza en el tomacorriente:
 - No modifique el enchufe.
 - No use un adaptador.
 - Haga que un electricista reemplace el tomacorriente obsoleto.

SALVAGUARDIAS IMPORTANTES

Para prevenir el riesgo de incendio, choque eléctrico, quemaduras u otro tipo de lesión o daño, siga estas instrucciones cuidadosamente. Cuando use aparatos eléctricos, se deben seguir siempre todas las precauciones de seguridad básicas que incluyen lo siguiente:

1. Lea todas las instrucciones.
2. Verifique que el voltaje de su instalación corresponda con el del producto.
3. Es necesario que haya buena supervisión cuando los niños utilicen aparatos o cuando éstos se estén utilizando cerca de niños.
4. Para protegerse contra el riesgo de choque eléctrico, no sumerja el cable, el enchufe ni el aparato en agua ni en algún otro líquido.
5. No toque superficies calientes. Use asas o perillas.
6. Desenchúfela del tomacorriente cuando no la esté usando y antes de la limpieza. Deje que se enfríe antes de colocar o sacar alguna pieza y antes de limpiar el aparato.
7. No opere ningún aparato eléctrico si el cable o el enchufe están averiados, después de un mal funcionamiento del aparato o si éste se ha caído o averiado de alguna forma. Llame a nuestro número gratuito de servicio al cliente para obtener información sobre el examen, la reparación o el ajuste.
8. No la use al aire libre.
9. El uso de accesorios no recomendados por Hamilton Beach/Proctor-Silex, Inc. puede causar lesiones o serios daños a la unidad.
10. No deje que el cable cuelgue sobre el borde de una mesa o mostrador o que toque alguna superficie caliente, incluyendo la superficie de la estufa.
11. No la coloque sobre o cerca de una fuente de gas caliente o de un quemador eléctrico, ni dentro de un horno caliente.
12. Extremo cuidado debe de tomarse cuando se mueve un aparato que contenga aceite caliente u otro líquido caliente.
13. Para desconectar, gire cualquier control hacia O/OFF (apagado) y luego desenchúfelo del tomacorriente.
14. No use el aparato para ningún otro fin que no sea el indicado.
15. Para las unidades con placas de cocción removibles, no precaliente ni opere sin instalar las placas de cocción.

¡GUARDE ESTAS INSTRUCCIONES!

Información adicional para la seguridad del consumidor

Este aparato ha sido diseñado solamente para uso doméstico.

Para evitar una sobrecarga en el circuito eléctrico, no use otro aparato de alto vataje en el mismo circuito que el de la parrilla.

El largo del cable que se utiliza con este artefacto se eligió para reducir el riesgo de enredarse o tropezarse con él, que se presentaría si fuera más largo. Si es necesario un cable más largo, podrá utilizarse un cable de extensión aprobado. La clasificación eléctrica nominal del cable de extensión deberá ser igual o mayor que la

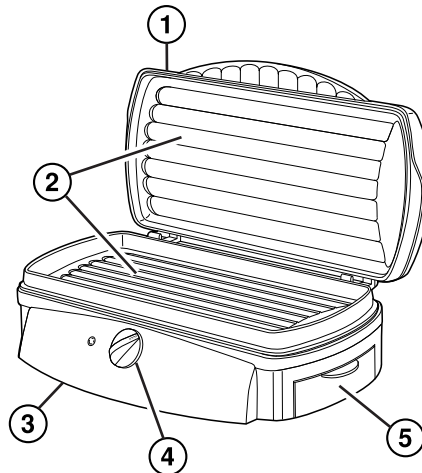
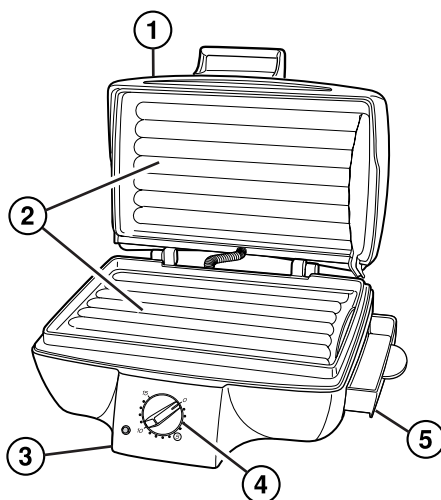
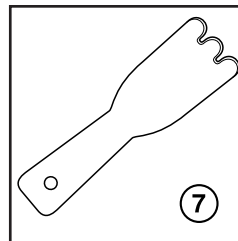
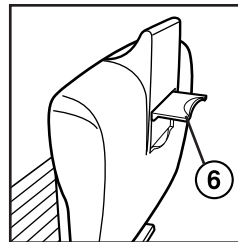
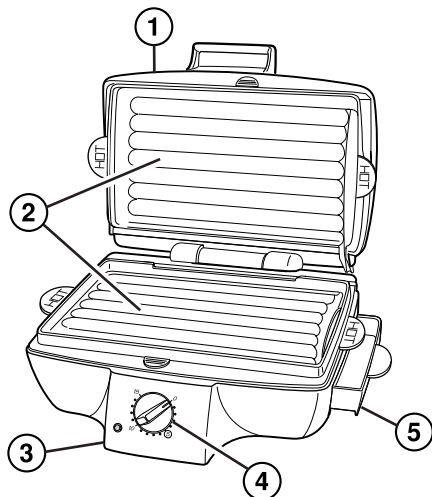
de la parrilla. Se debe tener cuidado en acomodar el cable de extensión de manera que no cuelgue por el borde de la mesa o mostrador y que los niños no puedan tirar de él o tropezarse accidentalmente.

Un cable de extensión en primer lugar debería de ser conectado al aparato, antes de que sea enchufado a un tomacorriente. Siempre use un guante para horno para proteger sus manos al usar la parrilla.

PRECAUCIÓN: El escape de vapor puede causar quemaduras.

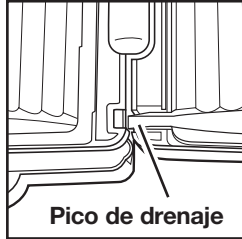
Partes y características

1. Tapa
2. Parrillas antiadherentes
3. Base
4. Programador de Tiempo
5. Recipiente para goteo
6. Pata de apoyo
7. Espátula/Rasqueta (disponible con modelos especiales)



Características Opcionales (en modelos especiales)

Pico de drenaje



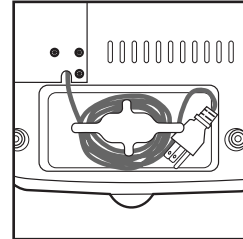
Pico de drenaje

Parrillas desmontables



Lengüeta de trabado

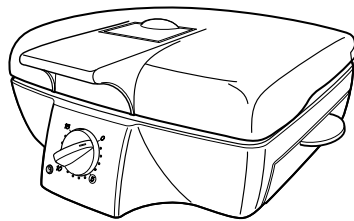
Envoltorio del cable



Opciones de asado

La parrilla puede utilizarse en dos posiciones diferentes:

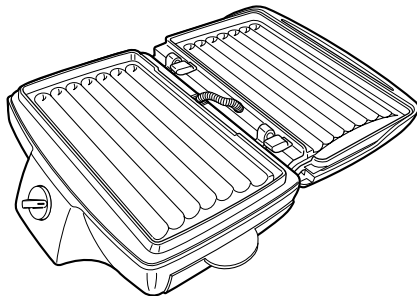
Tapa cerrada



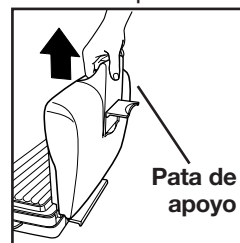
De este modo los alimentos se cocinarán de ambos lados al mismo tiempo. Este es el método más rápido.

Abierto

Abra la parrilla para obtener más superficie de cocción. De este modo necesitará más tiempo de cocción pero podrá cocinar el doble de alimentos.

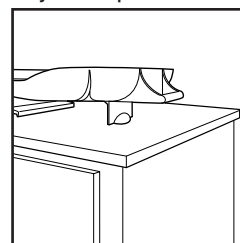


1. Levante la pata de apoyo, y luego eleve la tapa hacia arriba (esto destrabará la bisagra).



Pata de apoyo

2. Baje la tapa al máximo hasta alcanzar la posición plana.

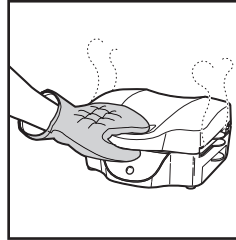


Instrucciones de funcionamiento

ANTES DEL PRIMER USO: Por favor lave las parrillas en la forma indicada bajo el título de "Limpieza".

1. Enchufe en un tomacorriente de 120 voltios CA.
2. Cepille las superficies de la parrilla con aceite o rocíelas con un rociador de cocina antiadherente.
3. Precaliente la parrilla girando el temporizador a 5 minutos. Mantenga la tapa cerrada.
4. Cuando precaliente, levante la tapa de la parrilla. Coloque el alimento a cocinar en la parrilla y baje la tapa de la misma. Siempre utilice la parrilla con el recipiente para goteo en su lugar.
5. Configure el temporizador. La luz de encendido (ON) se prende cuando se configura el temporizador.

6. Cuando el temporizador suene, use



un guante para horno y levante con cuidado la tapa de la parrilla. Fíjese en el alimento para ver si está cocido al

punto deseado. No corte el alimento en la superficie de la parrilla antiadherente. Si se necesita tiempo de cocción adicional, vuelva a configurar el temporizador.

7. Para dar vuelta los alimentos, use la espátula/rasqueta (disponible en modelos especiales) u otro utensilio adecuado para superficies antiadherentes.
8. Cuando el alimento se haya cocinado al punto deseado, quítelo y desenchufe la parrilla. Deje que se enfríe antes de la limpieza.

Consejos para un fácil asado

- **SIEMPRE PRECALIENTE LA PARRILLA POR 5 MINUTOS ANTES DE USARLA.**
- Lea su instructivo de la parrilla antes de empezar a asar.
- Cocinar a la parrilla es muy fácil porque usted puede dorar carnes, cocer cebollas y asar verduras, platos fritos, cocer pescado al vapor o tostar sándwiches prestando poca atención.
- Utilice la parrilla para "preparar y cocinar" comidas con sus recetas tradicionales: carne de res molida y dorada para la salsa de espagueti o tiras de res fritas para un plato chino. Ya que la parrilla cocina tanto arriba como abajo al mismo tiempo, no hay necesidad de remover la comida mientras se cocina.
- Cocine papas fritas sin aceite o prepare "French Toast" sin la necesidad de darla vuelta mientras se prepara.
- Utilice un rociador de aceite vegetal para hacer un asado que no se pegue. O si prefiere, cepille las superficies de la parrilla con aceite vegetal antes de ponerla a precalentar.
- Use utensilios de plástico sobre las superficies antiadherentes de la parrilla. No use utensilios de metal ya que dañarán la superficie antiadherente.
- ¡Es fácil limpiarla! Deje que la parrilla se enfríe. Limpie las superficies de la parrilla con toallas de papel o paños de cocina húmedos.

Tabla para asar a la parrilla

PRECALIENTE LA PARRILLA POR 5 MINUTOS CON LA TAPA CERRADA.

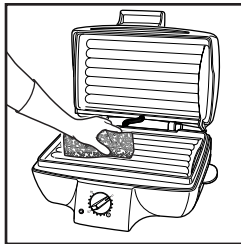
Los siguientes tiempos de cocción son para guía.

| ALIMENTO | TIEMPO DE COCCIÓN | GRADO DE COCCIÓN |
|--|-------------------|---|
| Tiras de carne de res deshuesadas, frescas (8 oz/225 g) | 5 min. | Levemente rosadas en el centro, doradas fuera |
| Pechuga de pollo deshuesada, fresca (4-6 oz/115-170 g) | 5-8 min. | Ya no está rosada en el centro |
| Perro caliente (hot dog) | 5 min. | Bien caliente |
| Hamburguesas frescas (4 oz/115 g) | 5-7 min. | Ya no están rosadas en el centro |
| Chuletas de cerdo deshuesadas frescas (4 oz/115 g, 2 cm de grosor) | 6-8 min. | Ya no están rosadas en el centro |
| Verduras (congeladas) | | |
| Pimientos y cebollas | 6 min. | Bien cocidas |
| Patatas cortadas, congeladas | 8 min. | Bien cocidas |
| Mezcla de verduras fritas | 6 min. | Crujientes-tiernas |
| Verduras (frescas) | | |
| Brócoli | 6 min. | Crujiente-tierno |
| Tiras de pimiento verde o rojo | 5 min. | Crujientes-tiernas |
| Champiñones cortados | 6 min. | Crujientes-tiernos |
| Cebollas cortadas | 4 min. | Blandas |
| Calabacines o calabaza, cortados | 4 min. | Crujientes-tiernos |
| Queso a la parrilla o queso y jamón | 4-5 min. | Por fuera marrón dorado; queso derretido |

Limpieza

NOTA: Si su artefacto cuenta con rejillas desmontables, vea la sección siguiente.

1. Desenchufe la parrilla del tomacorriente y deje enfriar un poco.
2. Limpie las superficies de cocción con una toalla de papel para quitar las salpicaduras.
3. Use la espátula/rasqueta (disponible en modelos especiales) para quitar alimentos pegados o grasa.
4. Utilice una esponja húmeda con una



pequeña cantidad de detergente para vajillas para limpiar las superficies de cocción. Ver la ilustración.

Enjuague la esponja y limpie las superficies. Use un paño limpio y húmedo para limpiar las superficies de nuevo.

5. No utilice esponjas metálicas o cualquier clase de limpiador abrasivo para limpiar la parrilla, ya que pueden dañar la superficie antiadherente e invalidar la garantía.
6. Use un paño limpio y húmedo para limpiar la parte externa de la parrilla.
7. Vacíe el recipiente para goteo. Lave el recipiente para goteo y espátula/rasqueta en agua caliente jabonosa. Enjuague y seque. (También pueden colocarse en el estante superior del lavavajillas).

! ADVERTENCIA

Peligro de choque eléctrico

- No sumerja la parrilla en agua.
- No lave la parrilla en el lavavajillas.

Rejillas desmontables (en modelos especiales)

1. Desenchufe la parrilla del tomacorriente y deje enfriar.
2. Mientras sostiene la rejilla, deslice la



Lengüeta de trabado

lengüeta de trabado para liberarla. Abra la parrilla por completo y repita la acción con la otra rejilla. **NO QUITE LA**

REJILLA CUANDO LA PARRILLA SE ENCUENTRE EN POSICIÓN VERTICAL. LA PARRILLA DEBE ESTAR EN POSICIÓN HORIZONTAL PARA PODER QUITAR LA REJILLA.

3. Lave las rejillas en agua caliente jabonosa. Enjuague y luego seque. Las rejillas también pueden lavarse en el lavavajillas.

Hamilton Beach**Proctor Silex**

Grupo HB PS, S.A. de C.V.
 Monte Elbruz No. 124 Int. 601
 Col. Palmitas Polanco
 México, D.F. C.P. 11560
 Tel. 52 82 31 05 y 52 82 31 06
 Fax. 52 82 3167

PÓLIZA DE GARANTÍA

| | | | |
|--|--------|---|---------|
| PRODUCTO: | MARCA: | Hamilton Beach: <input type="checkbox"/> Proctor-Silex: <input type="checkbox"/> | MODELO: |
| <p>Hamilton Beach/Proctor-Silex cuenta con una Red de Centros de Servicio Autorizada, por favor consulte en la lista anexa el nombre y dirección de los establecimientos en la República Mexicana en donde usted podrá hacer efectiva la garantía, obtener partes, componentes, consumibles y accesorios; así como también obtener servicio para productos fuera de garantía. Para mayor información llame sin costo: Centro de Atención al consumidor: 01 800 71 16 100</p> | | | |
| <p>Grupo HB PS, S.A. de C.V. le otorga a partir de la fecha de compra: GARANTÍA DE 1 AÑO.</p> | | | |
| COBERTURA | | | |
| <ul style="list-style-type: none"> • Esta garantía ampara, todas las piezas y componentes del producto que resulten con defecto de fabricación incluyendo la mano de obra. • Grupo HB PS, S.A. de C.V. se obliga a reemplazar, reparar o reponer, cualquier pieza o componente defectuoso; proporcionar la mano de obra necesaria para su diagnóstico y reparación, todo lo anterior sin costo adicional para el consumidor. • Esta garantía incluye los gastos de transportación del producto que deriven de su cumplimiento dentro de su red de servicio. | | | |
| LIMITACIONES | | | |
| <ul style="list-style-type: none"> • Esta garantía no ampara el reemplazo de piezas deterioradas por uso o por desgaste normal, como son: cuchillas, vasos, jarras, filtros, etc. • Grupo HB PS, S.A. de C.V. no se hace responsable por los accidentes producidos a consecuencia de una instalación eléctrica defectuosa, ausencia de toma de tierra, clavija de enchufe en mal estado, etc. | | | |
| EXCEPCIONES | | | |
| <p>Esta garantía no será efectiva en los siguientes casos:</p> <ol style="list-style-type: none"> a) Cuando el producto se hubiese utilizado en condiciones distintas a las normales. (Uso industrial, semi-industrial o comercial.) b) Cuando el producto no hubiese sido operado de acuerdo con el instructivo de uso. c) Cuando el producto hubiese sido alterado o reparado por personas no autorizadas por Grupo HB PS, S.A. de C.V. el fabricante nacional, importador o comercializador responsable respectivo. <p>El consumidor puede solicitar que se haga efectiva la garantía ante la propia casa comercial donde adquirió su producto, siempre y cuando Grupo HB PS, S.A. de C.V. no cuente con talleres de servicio.</p> | | | |
| PROCEDIMIENTO PARA HACER EFECTIVA LA GARANTÍA | | | |
| <ul style="list-style-type: none"> • Para hacer efectiva la garantía no deben exigirse mayores requisitos que la presentación del producto y la póliza correspondiente, debidamente sellada por el establecimiento que lo vendió. • Para hacer efectiva la garantía, lleve su aparato al Centro de Servicio Autorizado más cercano a su domicilio (consulte la lista anexa). • Si no existe Centro de Servicio Autorizado en su localidad siga las siguientes instrucciones: <ol style="list-style-type: none"> 1. Empaque su producto adecuadamente para que no se dañe durante el traslado. 2. Anote claramente sus datos y los del Centro de Servicio al que está enviando el producto. 3. No incluya partes sueltas ni accesorios para evitar su pérdida. • El tiempo de reparación, en ningún caso será mayor de 30 días naturales contados a partir de la fecha de recepción del producto en nuestros Centros de Servicio Autorizados. • En caso de que el producto haya sido reparado o sometido a mantenimiento y el mismo presente deficiencias imputables al autor de la reparación o del mantenimiento dentro de los treinta días naturales posteriores a la entrega del producto al consumidor, éste tendrá derecho a que sea reparado o mantenido de nuevo sin costo alguno. Si el plazo de la garantía es superior a los treinta días naturales, se estará a dicho plazo. • El tiempo que duren las reparaciones efectuadas al amparo de la garantía no es computable dentro del plazo de la misma. Cuando el bien haya sido reparado se iniciará la garantía respecto de las piezas repuestas y continuará con relación al resto. En el caso de reposición del bien deberá renovarse el plazo de la garantía. | | | |
| DÍA ___ MES ___ AÑO ___ | | <p>Si desea hacer comentarios o sugerencias con respecto a nuestro servicio o tiene alguna queja derivada de la atención recibida en alguno de nuestros Centros de Servicio Autorizados, por favor dirigirse a:</p> <p style="text-align: center;">GERENCIA INTERNACIONAL DE SERVICIO (DIMALSA) Prof. Av. La Joya s/n. Esq. Av. San Antonio Col. El Infiernillo C.P. 54878 Cuautitlán, Edo de México Tel. (55) 58 99 62 42 • Fax. (55) 58 70 64 42 Centro de Atención al consumidor: 01 800 71 16 100</p> | |

38

RED DE CENTROS DE SERVICIO AUTORIZADA GRUPO HB PS, S.A. DE C.V.

Distrito Federal

ELECTRODOMÉSTICOS
Av. Plutarco Elias Cailles No. 1499
Zacahuitzco MEXICO 09490 D.F.
Tel: 01 55 5235 2323
Fax: 01 55 5243 1397

CASA GARCIA
Av. Patriotismo No. 875-B
Mixcoac MEXICO 03910 D.F.
Tel: 01 55 5563 8723
Fax: 01 55 5615 1856

Nuevo Leon

FERNANDO SEPULVEDA REFACCIONES
Ruperto Martínez No. 238 Ote.
Centro MONTERREY, 64000 N.L.
Tel: 01 81 8343 6700
Fax: 01 81 8344 0486

Jalisco

REF. ECONÓMICAS DE OCCIDENTE,
S.A. DE C.V.
Garibaldi No. 1450
Ladrón de Guevara
GUADALAJARA 44660 Jal.
Tel: 01 33 3825 3480
Fax: 01 33 3826 1914

Chihuahua

DISTRIBUIDORA TURMIX
Av. Paseo Triunfo de la Rep. No. 5289 Local 2 A.
Int. Hipermart
Alamos de San Lorenzo
CD. JUAREZ 32340 Chih.
Tel: 01 656 617 8030
Fax: 01 656 617 8030

| Modelos: | Tipo: | Características Eléctricas: | | |
|-----------------|--------------|------------------------------------|-------|--------|
| 25285 | G21 | 120 V~ | 60 Hz | 1000 W |
| 25285BH | G21 | 120 V~ | 60 Hz | 1000 W |
| 25285H | G21 | 120 V~ | 60 Hz | 1000 W |
| 25300 | ST09 | 120 V~ | 60 Hz | 1000 W |
| 25325 | ST14 | 120 V~ | 60 Hz | 1400 W |
| 25325H | ST14 | 120 V~ | 60 Hz | 1400 W |
| 25325W | ST14 | 120 V~ | 60 Hz | 1400 W |
| 25325WH | ST14 | 120 V~ | 60 Hz | 1400 W |

Los números de modelo también pueden estar seguidos del sufijo "MX".

HAMILTON BEACH ♦ PROCTOR-SILEX, INC.

PROCTOR-SILEX CANADA, INC.

263 Yadkin Road, Southern Pines, North Carolina 28387

Picton, Ontario K0K 2T0

840156900

hamiltonbeach.com • proctorsilex.com
hamiltonbeach.com.mx • proctorsilex.com.mx

9/06

Free Manuals Download Website

<http://myh66.com>

<http://usermanuals.us>

<http://www.somanuals.com>

<http://www.4manuals.cc>

<http://www.manual-lib.com>

<http://www.404manual.com>

<http://www.luxmanual.com>

<http://aubethermostatmanual.com>

Golf course search by state

<http://golfingnear.com>

Email search by domain

<http://emailbydomain.com>

Auto manuals search

<http://auto.somanuals.com>

TV manuals search

<http://tv.somanuals.com>