

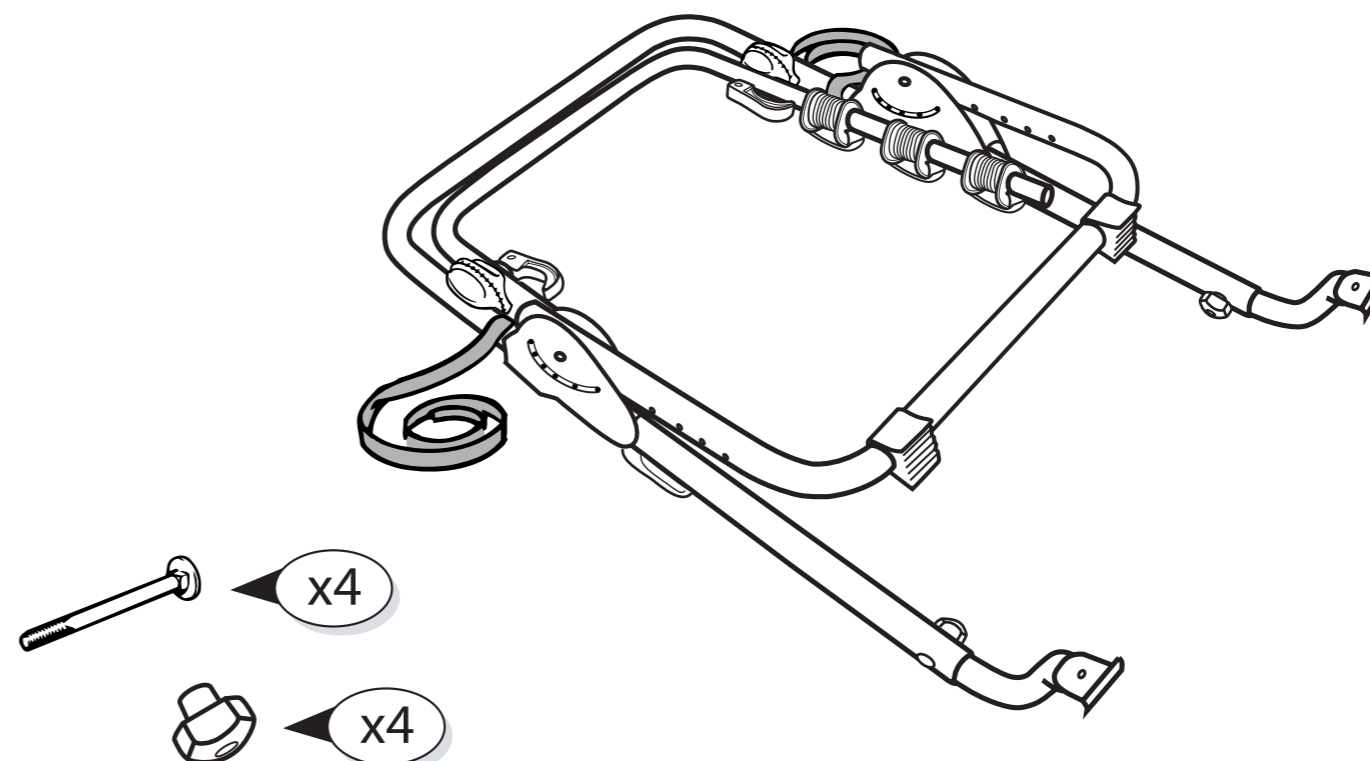


Metal Clamp High 3 Bike Carrier Fitting Instructions


Please follow instructions carefully to ensure the safety of yourself and other road users. The initial assembly and fitting of this carrier will take approximately 15 minutes. Before you begin:





- Under no circumstances should this carrier be fitted to your car unless it is adjusted to the exact settings specified in the enclosed vehicle application list. This carrier must not be fitted to any vehicle not listed. If in any doubt ask in store.
- Due to the construction of boot lids we recommend only two cycles be carried on saloon cars with this carrier
- Make sure all parts are included in the package.
- Ensure that the vehicle boot lid/rear bumper are free from dirt and grime.

Kit Contents



REFER TO THE SEPARATE APPLICATION GUIDE TO DETERMINE THE CORRECT FITTING KIT.



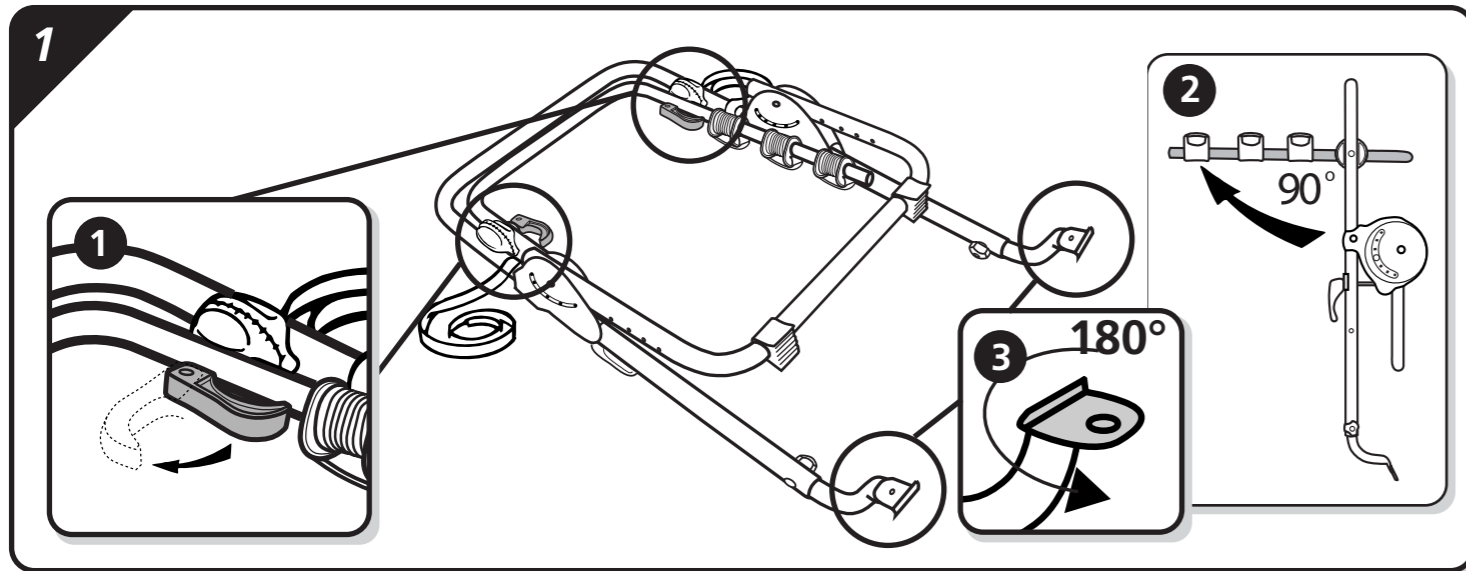
4		x2
3		x2
2		x2
1		x2



Made in the UK
Halfords Ltd, Washford
Redditch, B98 0DE

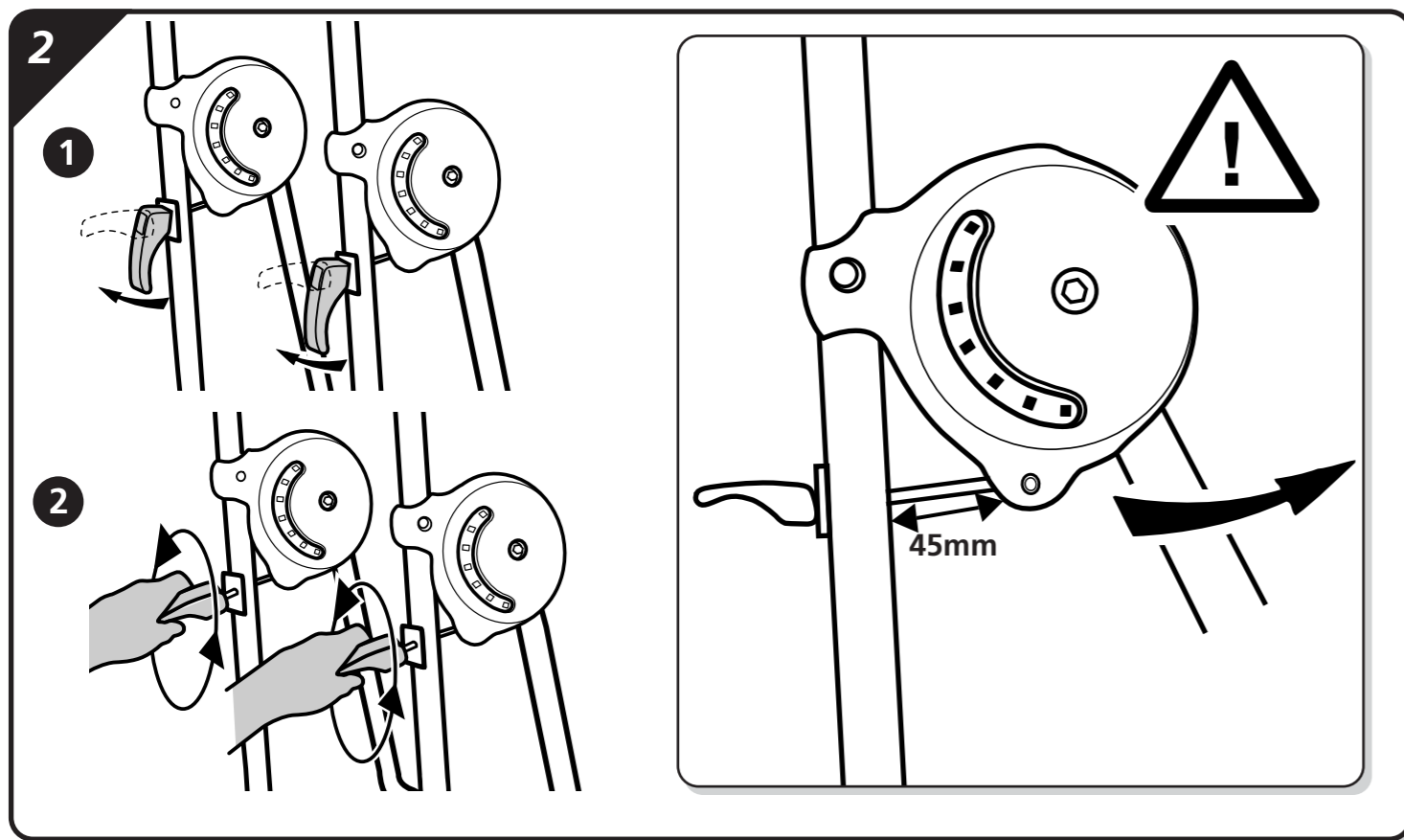
PI480-01

INITIAL PREPARATION



Position the assembled carrier on a clean surface as illustrated. (1) Release the 2 adjuster levers and (2) rotate the cycle support arms through 90° and lock in position. The quick release action should be

firm for both opening and closing. The tension may be set by releasing the handles and turning clockwise. (3) Rotate the bottom feet 180° as shown.

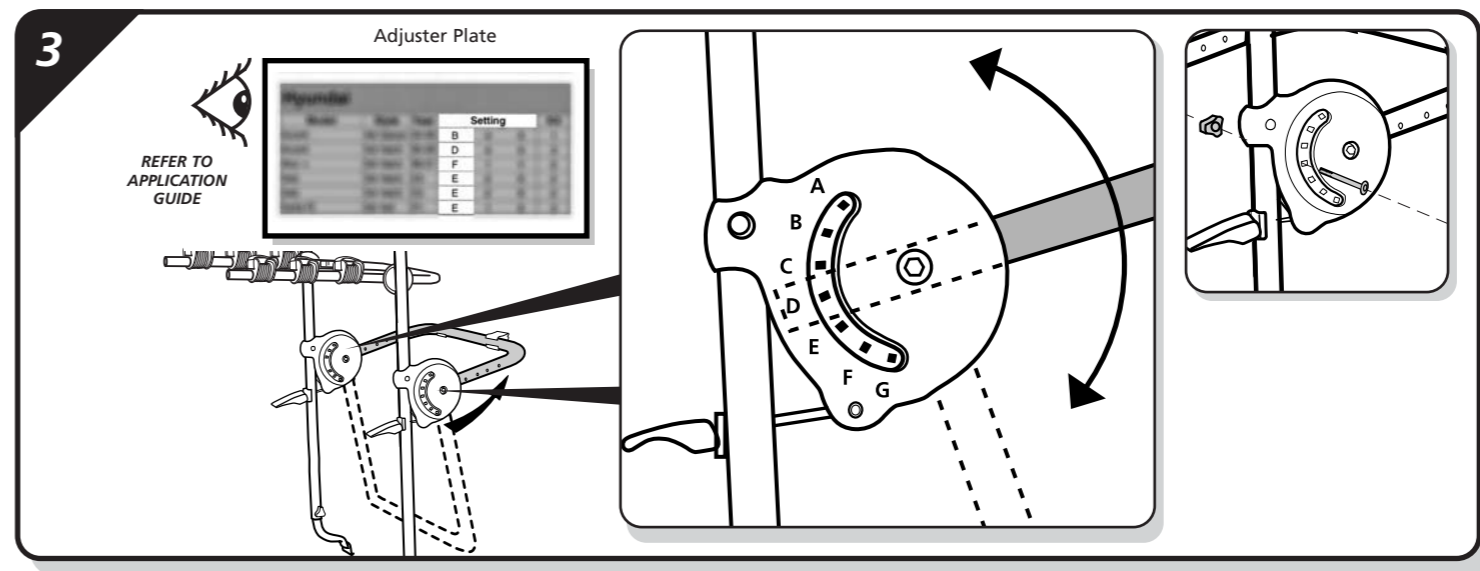


(1) Release the two carrier clamping levers and (2) turn the handles anti-clockwise until the angle adjusters are fully opened, (approx 40 turns).

Rotate the large black angle adjusters upwards, ensuring a minimum of 45mm of screw is visible between the angle adjusters and the main carrier frame.

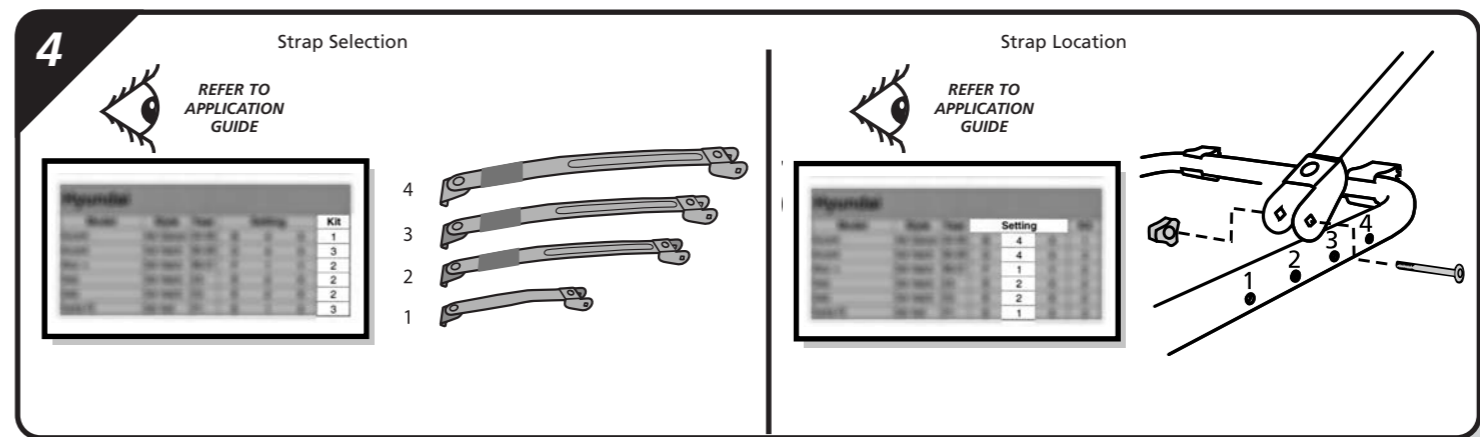
DO NOT PROCEED ANY FURTHER UNTIL STEPS 1 + 2 HAVE BEEN COMPLETED CORRECTLY

CARRIER SET-UP



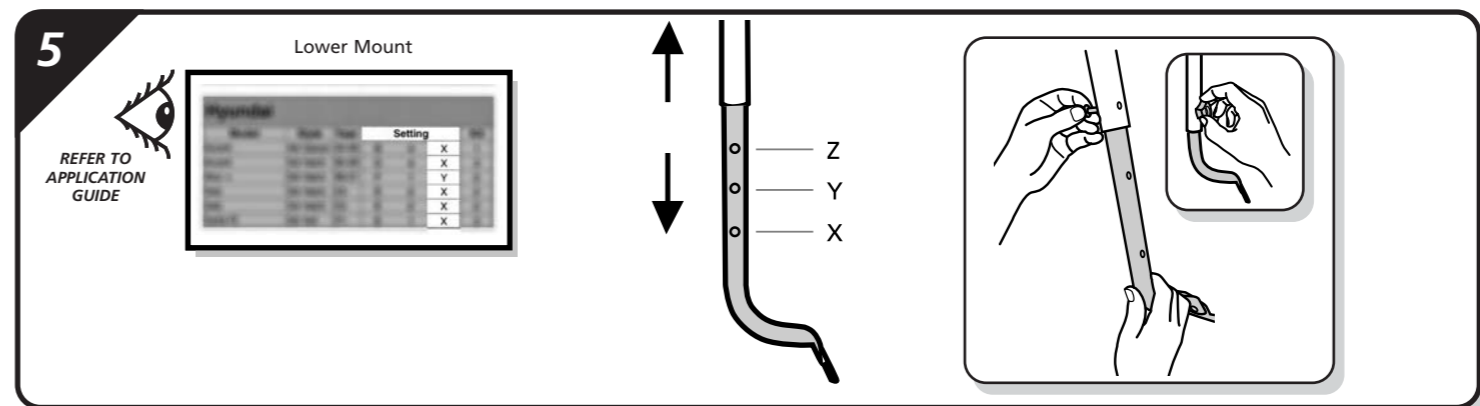
Refer to the enclosed application list to find the correct angle for the vehicle support arm for your car. Insert the bolts from the outside faces in the specified holes A, B, C, D, E, F or G.

Fit the thumb screw nuts to the inside face of the angle adjusters, making sure the bolt passes through the vehicle support arm.



Refer to the enclosed application list to find the correct metal strap for your car. Refer to the enclosed application list to find the correct clamp bolt hole for your car. Insert the bolts, from the outer faces,

through the metal clamps and the vehicle support arm. Fit the thumb screw nuts on the inside of the vehicle support arm.

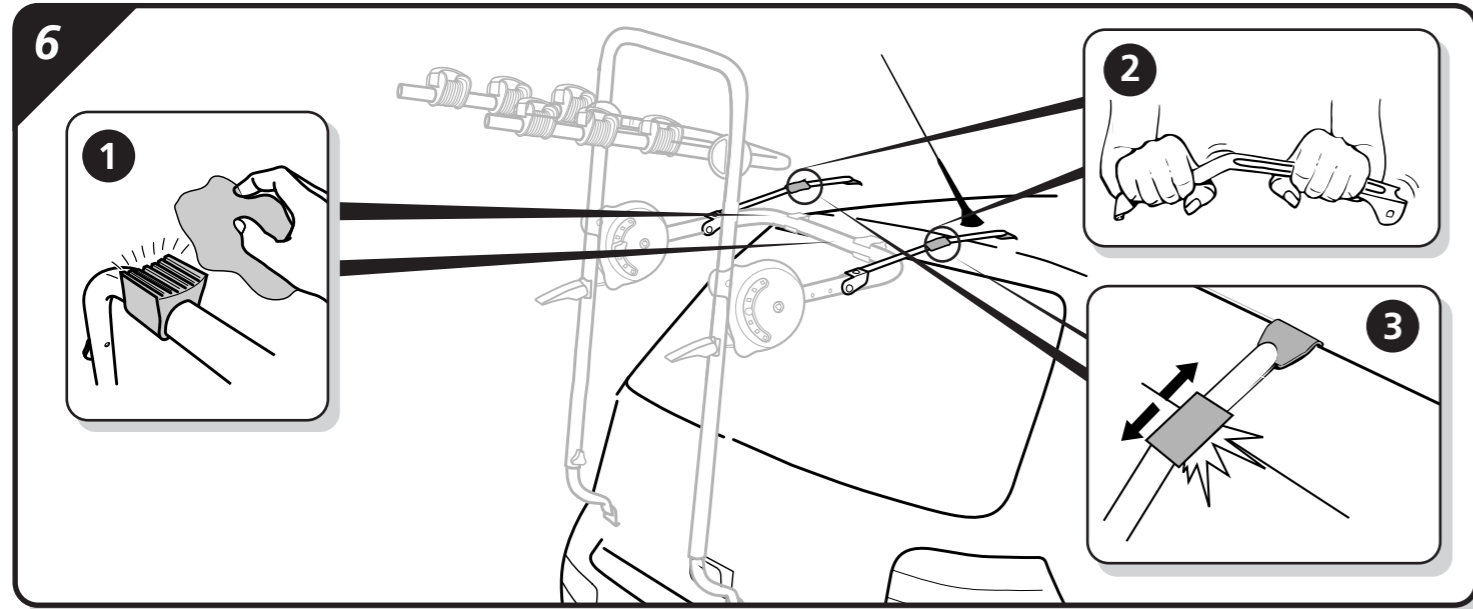


Refer to the enclosed application list to find the correct position for the thumb screw nuts to the inside of the carrier frame. Insert the bolts from the outside faces, fit the

thumb screw nuts to the inside of the carrier frame.

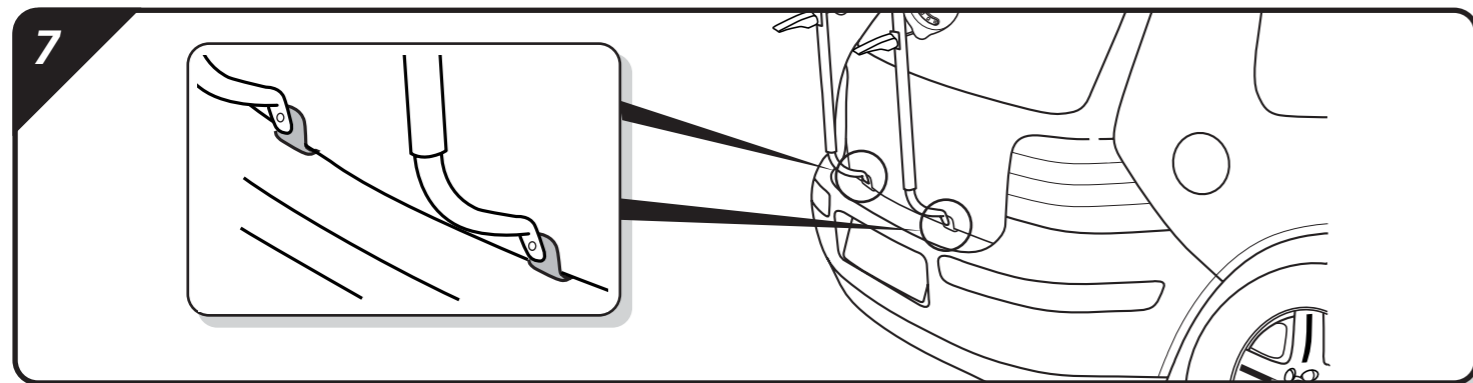
DO NOT USE ANY HOLE SETTINGS OTHER THAN THOSE SPECIFIED FOR YOUR VEHICLE MAKE AND MODEL.

FITTING

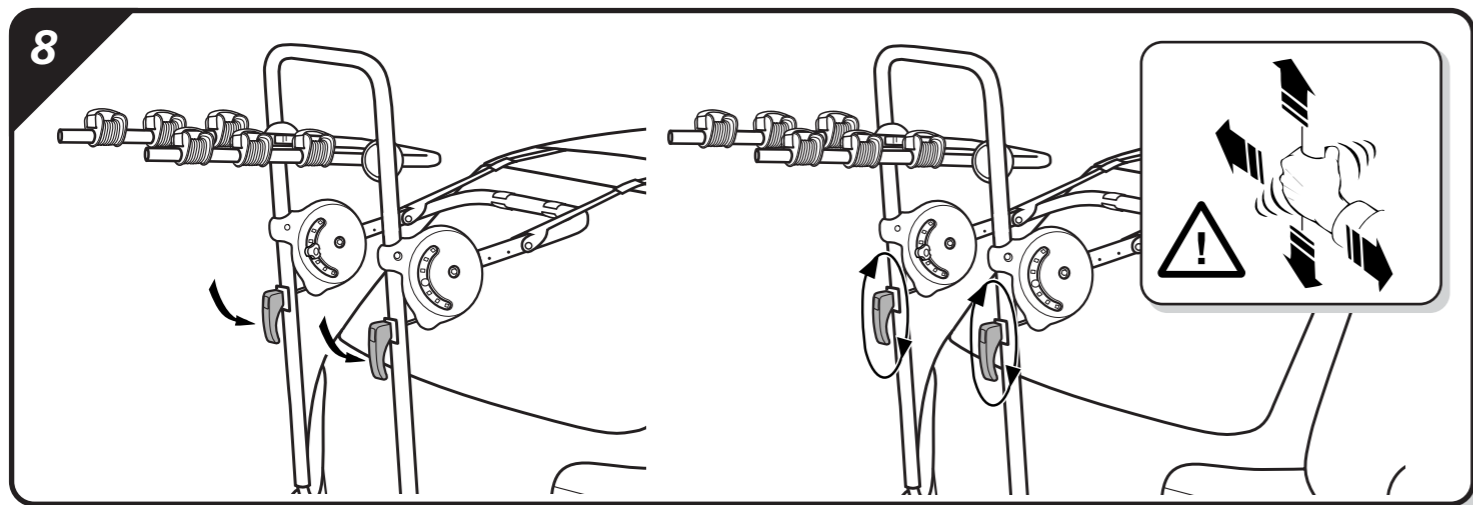


(1) Before offering the carrier to your vehicle ensure the rear window/bodywork and rubber feet on the vehicle support arm are clean and free of dust. (2) For most vehicles it will be necessary to pre-bend the plain flat section of the metal straps. (3) Offer the carrier

to the vehicle and hook the metal straps over the top edge of the tailgate of your vehicle. Ensure that the rubber protective sleeves are positioned to avoid any abrasion of the metal straps on the paintwork of the vehicle.

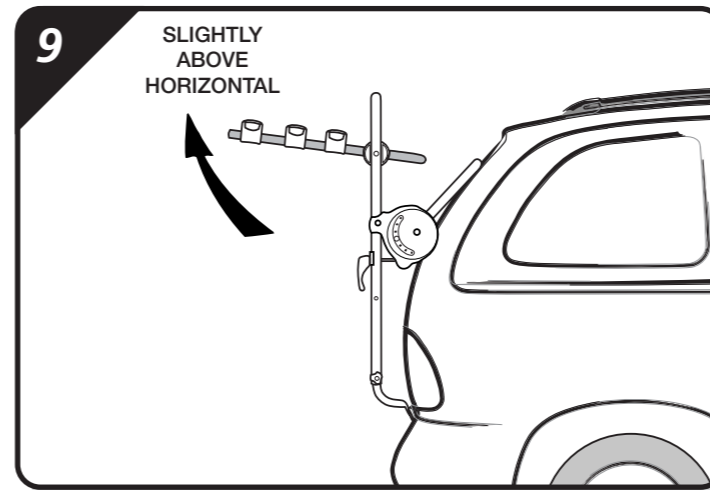


Hook the feet under the bottom of your tailgate. In some cases it may be necessary to slightly open the tailgate to enable the feet to hook on.

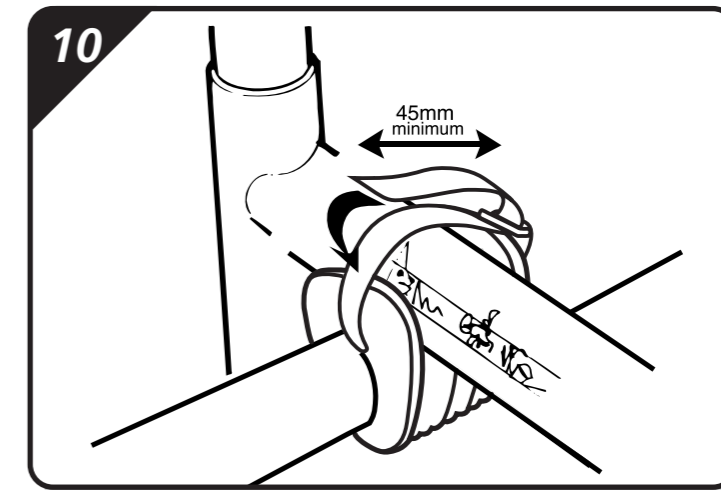


Ensure that both carrier clamping levers are in the closed position. Progressively tighten the levers on both sides of the carrier by turning them clockwise. When the resistance to turning starts to increase

check the security of the carrier. Continue gradually tightening both levers until the carrier is **firmly** fixed in all directions.

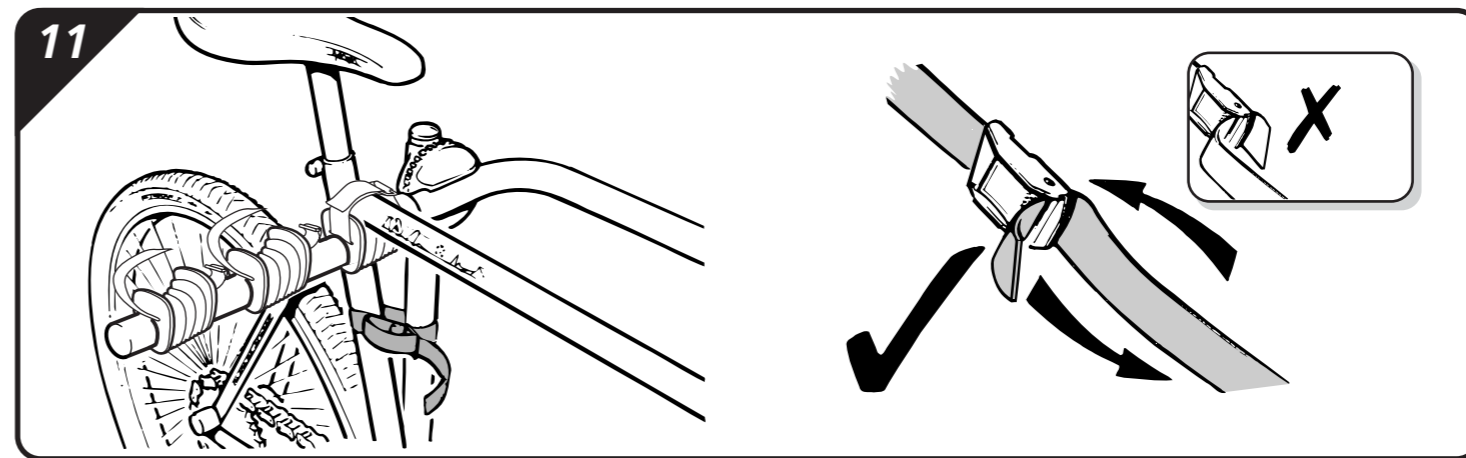


Reposition the cycle support arm so it is positioned slightly above horizontal.

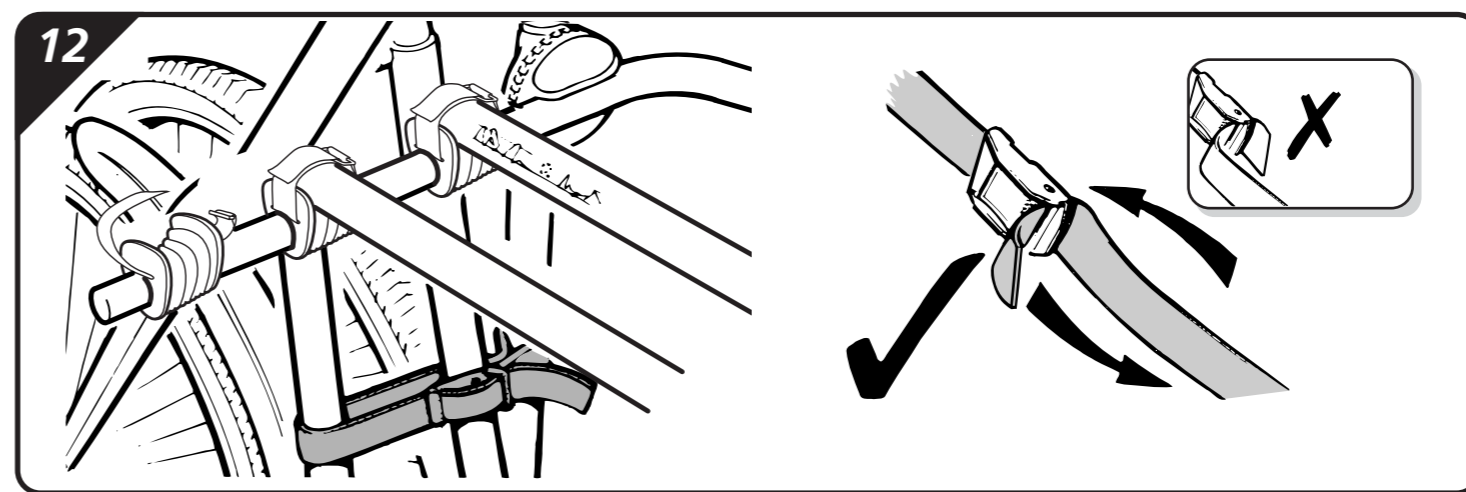


Position your cycle(s) into the saddle area of the frame locator. Pass the webbing strap over the frame of the cycle and thread through the metal loop. Pull the strap back tightly and press the hook and loop fastener to secure.

Note: there must be a minimum 45mm of overlap (See Diagram). If the straps supplied with this product are not suitable, longer straps are available as an accessory. Please contact your nearest Halfords store.



IMPORTANT: Use the red webbing straps to secure the cycle frame to the carrier. Failure to use these straps will result in the cycles falling off the carrier

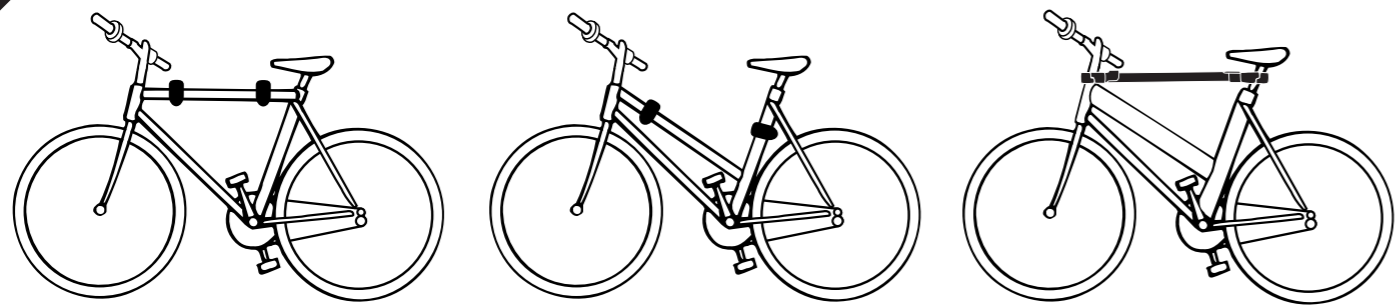


When carrying a second or third cycle, feed the RED straps around all cycles frames, and fully tighten. **Failure to use these straps will result**

in the cycles falling off the carrier. To reduce obstruction from the handlebars, alternate the direction of each cycle during loading.

CAUTION: After the cycles are securely located on the carrier it is important to re-check the security of the carrier. If required, the clamping levers should be further tightened until the carrier is firmly fixed in all directions.

13



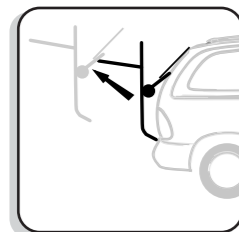
The cycle frame locators can be adjusted to best suit the angle of ladies' and children's etc, cycle frames. A FALSE cross bar is available, for the easy mounting of full suspension and low cross bar cycle frames.

IMPORTANT: Do not open your boot/tailgate with the loaded cycle carrier attached.

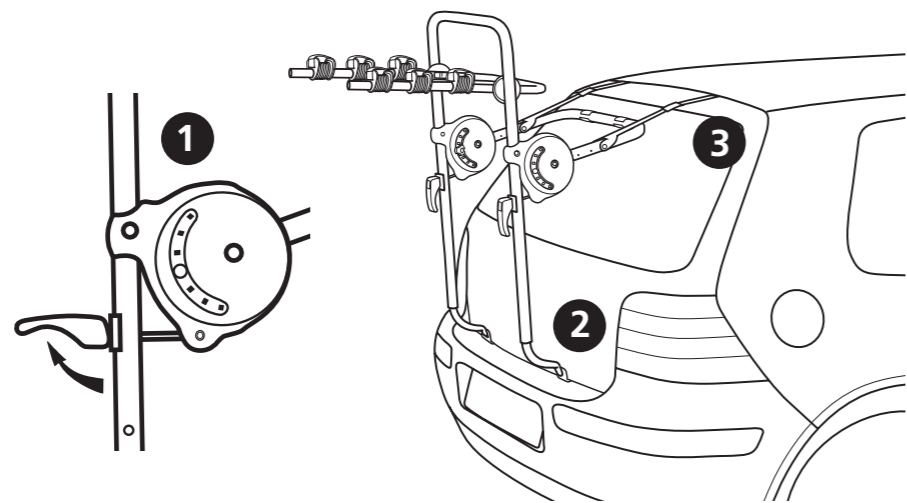
Special Recommendations

- Avoid any vehicle bodywork of insufficient strength, trim and items such as aerofoils or spoilers.
- **IMPORTANT!** Fabric straps should be checked routinely for signs of wear and abrasion, and any worn straps must be replaced immediately.
- After driving for a few miles STOP and check that the carrier is secure and tight. If necessary, re-tighten the carrier. This must be repeated at suitable intervals depending on the nature of the road.
- Do not exceed 45kg maximum load (3 adult cycles) and 30kg max on saloon vehicles.
- To ensure full compliance with the road traffic regulations, the use of lighting board/number plate is required if your vehicle's existing lighting/number plates are obscured by the use of the carrier.
- Drive with care, the handling characteristics of your vehicle will be affected when carrying cycles, (e.g. cornering, braking, side winds etc).
- Retain these instructions for future reference, ensure that any other users of the cycle carrier are familiar with their contents.
- The carrier may obstruct the rear window wiper of your vehicle. DO NOT operate the wiper with the carrier fitted. (HINT) Remove fuse for extra safety.
- When positioning cycles on the carrier ensure that they do not project beyond the profile of the vehicle and that no part of any cycle can touch the paintwork.
- The use of rear mounted cycle carriers may be restricted in certain countries. Always check with the relevant national tourist authorities prior to commencing your journey.
- Use cloth or foam padding to prevent abrasion damage occurring between the frames of your cycles, or from contact between the cycles and the cycle carrier. Halfords foam pad cycle protectors are available.
- Care must be taken when positioning and loading the cycle carrier to avoid placing cycle tyres near the exhaust, and to ensure that a satisfactory ground clearance is maintained between the cycles and the road. Extra care should be taken when negotiating rough road surfaces, humps and ferry ramps.
- All lengths are approximate.

14



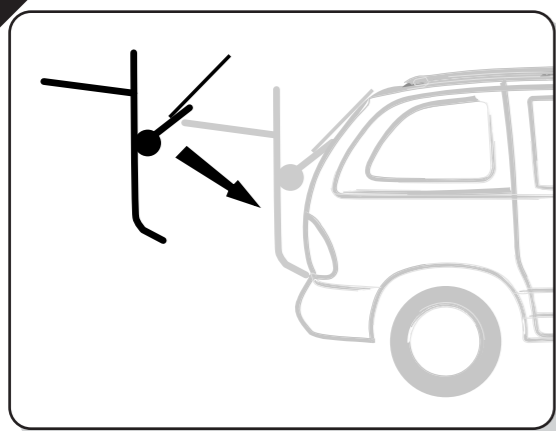
FOR REMOVAL



When removing the carrier from your vehicle (1) release both carrier clamping levers. (2) Unhook the feet from the bottom of the tailgate. (3) Unhook the metal clamp straps from the top edge of the tailgate.

CAUTION Make sure the carrier is fully supported during removal, taking care not to damage paintwork.

15



FOR RE-FITTING



Once you have set up the carrier for your first use, all adjustments can remain in position.

When re-fitting, refer back and repeat steps 6, 7 & 8 until firmly fixed in all directions.

Free Manuals Download Website

<http://myh66.com>

<http://usermanuals.us>

<http://www.somanuals.com>

<http://www.4manuals.cc>

<http://www.manual-lib.com>

<http://www.404manual.com>

<http://www.luxmanual.com>

<http://aubethermostatmanual.com>

Golf course search by state

<http://golfingnear.com>

Email search by domain

<http://emailbydomain.com>

Auto manuals search

<http://auto.somanuals.com>

TV manuals search

<http://tv.somanuals.com>