

NOTE:
Please read all instructions
carefully before using this
product

Table of Contents

Safety Notice

Hardware Identifier

Assembly Instruction

Parts List

Warranty

Ordering Parts

Model
CB 339

Retain This
Manual for
Reference

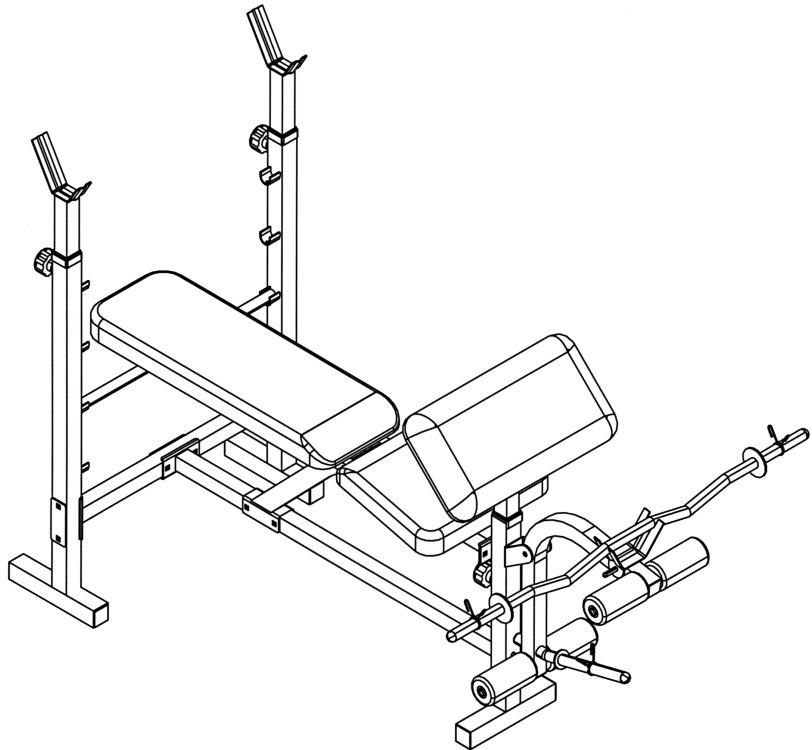
05-31-02

OWNER'S
MANUAL

IMPEX
FITNESS PRODUCTS

COMPETITOR BENCH

CB-339



IMPEX FITNESS PRODUCTS

14777 DON JULIAN RD., CITY OF INDUSTRY, CA 91746

Tel: (800) 999-8899 Fax: (626) 961-9966

www.impex-fitness.com

info@impex-fitness.com

TABLE OF CONTENTS

BEFORE YOU BEGIN.....	1
IMPORTANT SAFETY NOTICE.....	2
HARDWARE IDENTIFIER.....	3
ASSEMBLY INSTRUCTIONS.....	4
EXPLODED DIAGRAM.....	8
PARTS LIST.....	9
WARRANTY.....	10
ORDERING PARTS.....	10

BEFORE YOU BEGIN

Thank you for selecting the Competitor Bench CB339 by IMPEX FITNESS PRODUCTS. For your safety and benefit, read this manual carefully before using the machine. As a manufacturer, we are committed to provide you complete customer satisfaction. If you have any questions, or find there are missing or damaged parts, we guarantee you complete satisfaction through direct assistance from our factory. To avoid unnecessary delays, *please call our TOLL-FREE customer service number.* Our Customer Service Agents will provide immediate assistance to you.

Toll-Free Customer Service Number

1-800-999-8899

Mon. - Fri. 9 a.m. - 5 p.m. PST

www.impex-fitness.com

info@impex-fitness.com

IMPORTANT SAFETY NOTICE

PRECAUTIONS

This exercise machine is built for optimum safety. However, certain precautions apply whenever you operate a piece of exercise equipment. Be sure to read the entire manual before you assemble or operate your machine. In particular, note the following safety precautions:

1. **Keep children and pets away from the machine at all times. DO NOT leave children unattended in the same room with the machine.**
2. Only one person at a time should use the machine.
3. If the user experiences dizziness, nausea, chest pain, or any other abnormal symptoms, STOP the workout at once. CONSULT A PHYSICIAN IMMEDIATELY.
4. Position the machine on a clear, leveled surface. DO NOT use the machine near water or outdoors.
5. Keep hands away from all moving parts.
6. Always wear appropriate workout clothing when exercising. DO NOT wear robes or other clothing that could become caught in the machine. Running or aerobic shoes are also required when using the machine.
7. Use the machine only for its intended use as described in this manual. DO NOT use attachments not recommended by the manufacturer.
8. Do not place any sharp object around the machine.
9. Disabled person should not use the machine without a qualified person or physician in attendance.
10. Before using the machine to exercise, always do stretching exercises to properly warm up.
11. Never operate the machine if the machine is not functioning properly.
12. A spotter is recommended during exercise.

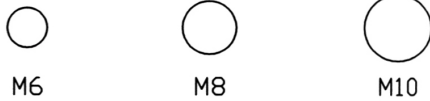
WARNING: BEFORE BEGINNING ANY EXERCISE PROGRAM, CONSULT YOUR PHYSICIAN. THIS IS ESPECIALLY IMPORTANT FOR INDIVIDUALS OVER THE AGE OF 35 OR PERSONS WITH PRE-EXISTING HEALTH PROBLEMS. READ ALL INSTRUCTIONS BEFORE USING ANY FITNESS EQUIPMENT. IMPEX INC. ASSUMES NO RESPONSIBILITY FOR PERSONAL INJURY OR PROPERTY DAMAGE SUSTAINED BY OR THROUGH THE USE OF THIS PRODUCT.

SAVE THESE INSTRUCTIONS.

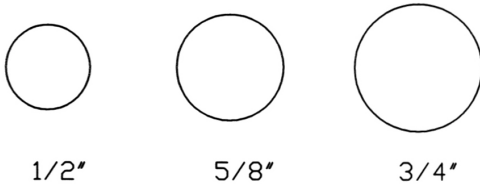
HARDWARE IDENTIFIER

PLACE WASHER, END OF BOLT, OR SCREW ON CIRCLE TO CHECK FOR CORRECT SIZE.

MILLIMETERS



INCHES



REPLACEMENT PARTS

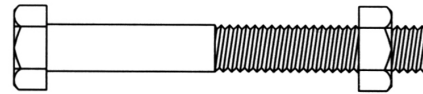
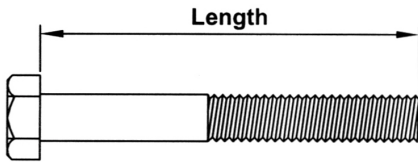
Thank you for purchasing IMPEX product. Although we go to great effort to ensure the quality of our products, Occasionally errors or omissions occur. Should you find either a defective or missing part in this product, Please contact us for a replacement at the telephone number.

QUESTION ?

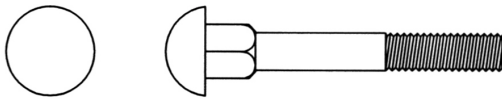


1-800-999-8899

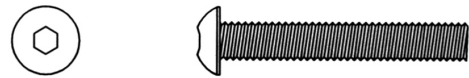
NOTE: When installing a Aircraft Nut (also called Nylon or Lock Nut), Please use two adjustable wrenches to tighten down the Nut. Hold down the Bolt with one wrench, and use the other wrench to turn the Nut clockwise.



HEX HEAD BOLT



CARRIAGE BOLT



ALLEN BOLT



AIRCRAFT NUT



FLAT WASHER

ASSEMBLY INSTRUCTION

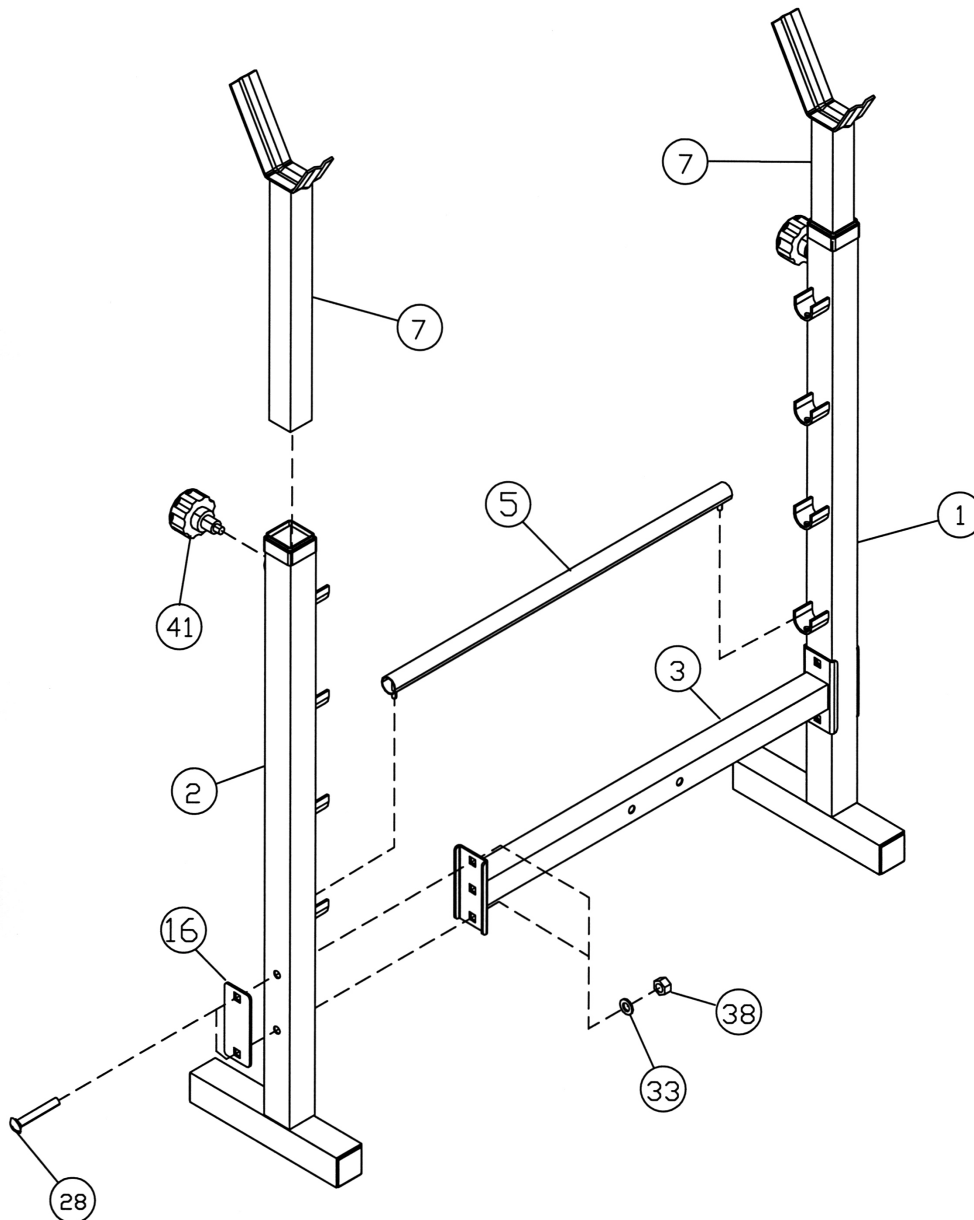
Tools Required Assembling the Machine: Two Adjustable Wrenches and Allen Wrenches

NOTE: It is strongly recommended two or more people to assemble this machine to avoid possible injury.

STEP 1 (See Diagram 1)

- A.) Connect the Left Upright Beam (#1) and Right Upright Beam (#2) by a Cross Brace (#3) in the mid-span. Align the holes and secure each end of the Cross Brace with one Bracket (#16), two M10 x 2 1/2" Carriage Bolts (#28), two $\text{\O} \frac{3}{4}$ " Washers (#33), and two M10 Aircraft Nuts (#38).
- B.) Place Backrest Adjustment Bar (#5) between the two Upright Beams on the selected bar holder to obtain desired incline of Backrest.
- C.) Insert two Crutches (#7) into the top openings on the Upright Beams. Secure them with two Lock Knobs (#41) through selected holes to obtain desired height of the Supports.

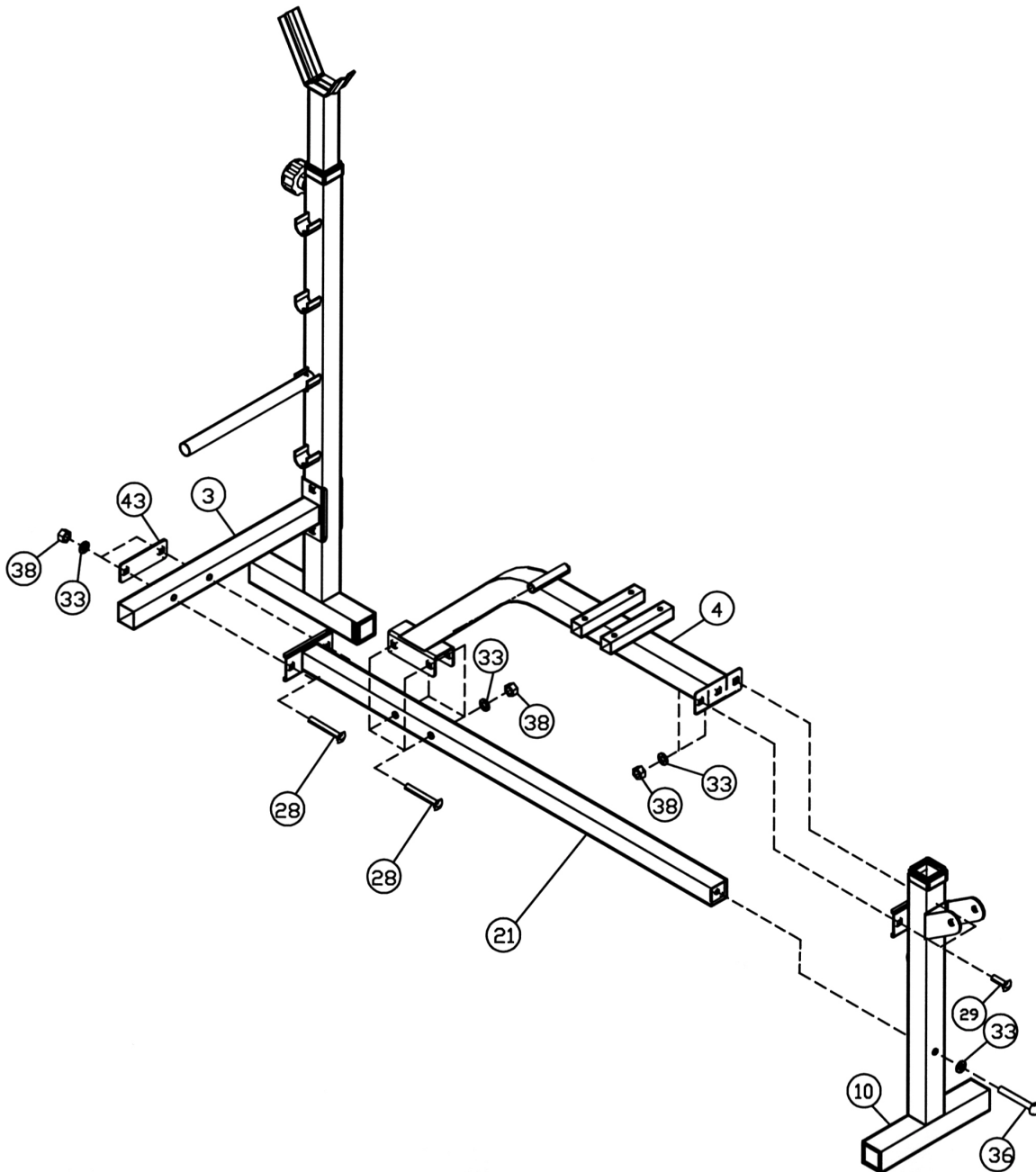
DIAGRAM 1



STEP 2 (See Diagram 2)

- A.) Attach the Main Stabilizer (#21) to the Cross Brace (#3). Secure it with a 4 3/8" x 1 1/2" Bracket (#43), two M10 x 2 1/2" Carriage Bolts (#28), \varnothing 3/4" Washers (#33), and M10 Aircraft Nuts (#38).
- B.) Attach the Front Support (#10) to the Main Stabilizer (#21). Secure it with one M10 x 2 3/8" Allen Bolt (#36) and \varnothing 3/4" Washer (#33).
- C.) Attach one end of Main Seat Support (#4) to the Main Stabilizer (#21). Secure it with two M10 x 2 1/2" Carriage Bolts (#28), \varnothing 3/4" Washers (#33), and M10 Aircraft Nuts (#38).
- D.) Attach the other end of Main Seat Support (#4) to the Front Support (#10). Secure it with two M10 x 1" Carriage Bolts (#29), \varnothing 3/4" Washers (#33), and M10 Aircraft Nuts (#38).

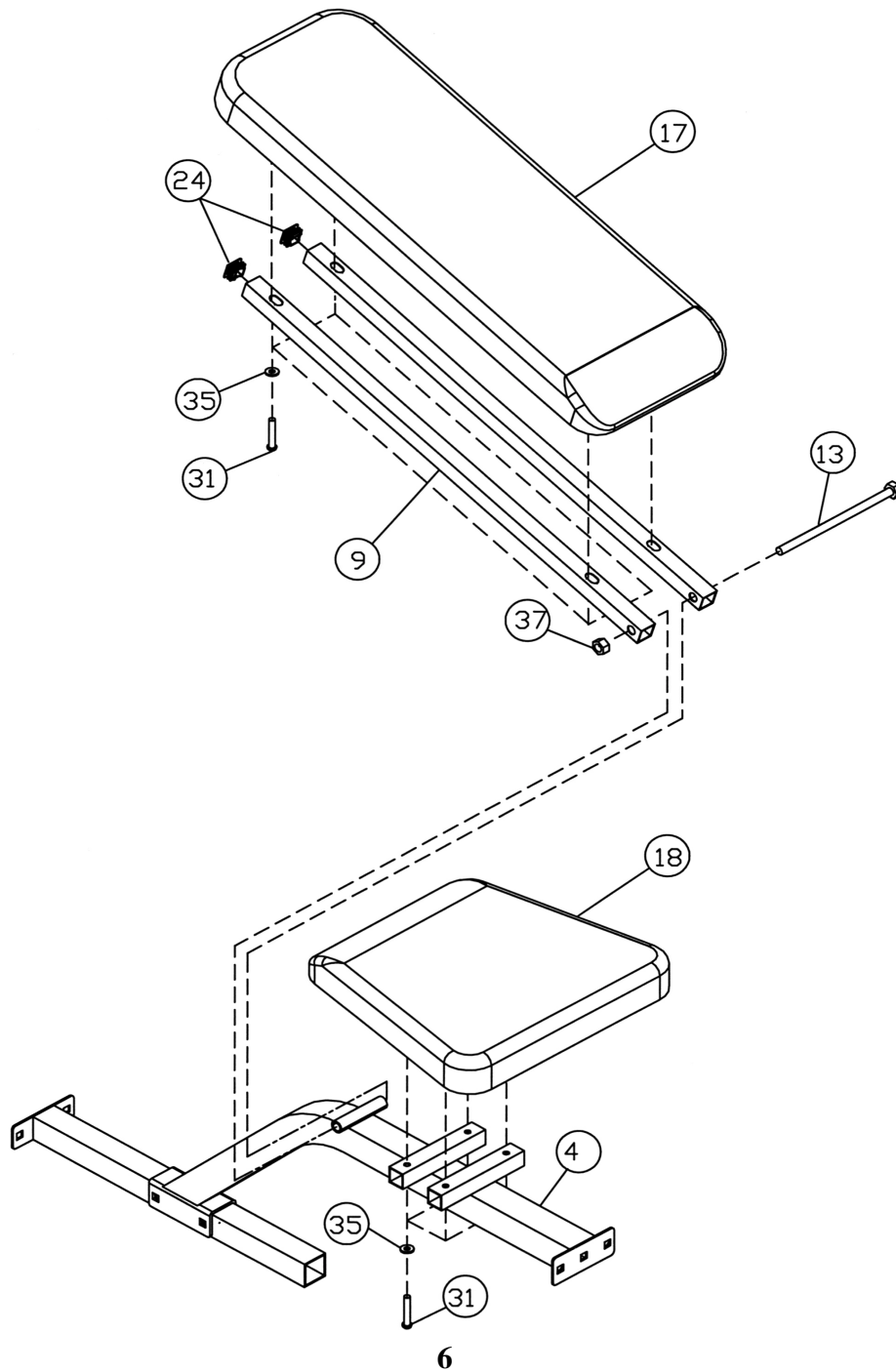
DIAGRAM 2



STEP 3 (See Diagram 3)

- A.) Attach the hole-side of Backrest Supports (#9) to the pivot on the Main Seat Support (#4). Secure it with one M12 x 5 7/8" Hex Bolt (#13) and M12 Aircraft Nut (#37). Place the other end of Backrest Supports rest against the Backrest Adjustment Bar.
- B.) Place the Backrest Board (#17) onto the Backrest Supports (#9). Secure it with four M6 x 1 3/8" Hex Bolts (#31) and \varnothing 1/2" Washers (#35).
- C.) Place the Seat (#18) onto the Main Seat Support (#4). Secure it with four M6 x 1 3/8" Hex Bolts (#31) and \varnothing 1/2" Washers (#35).

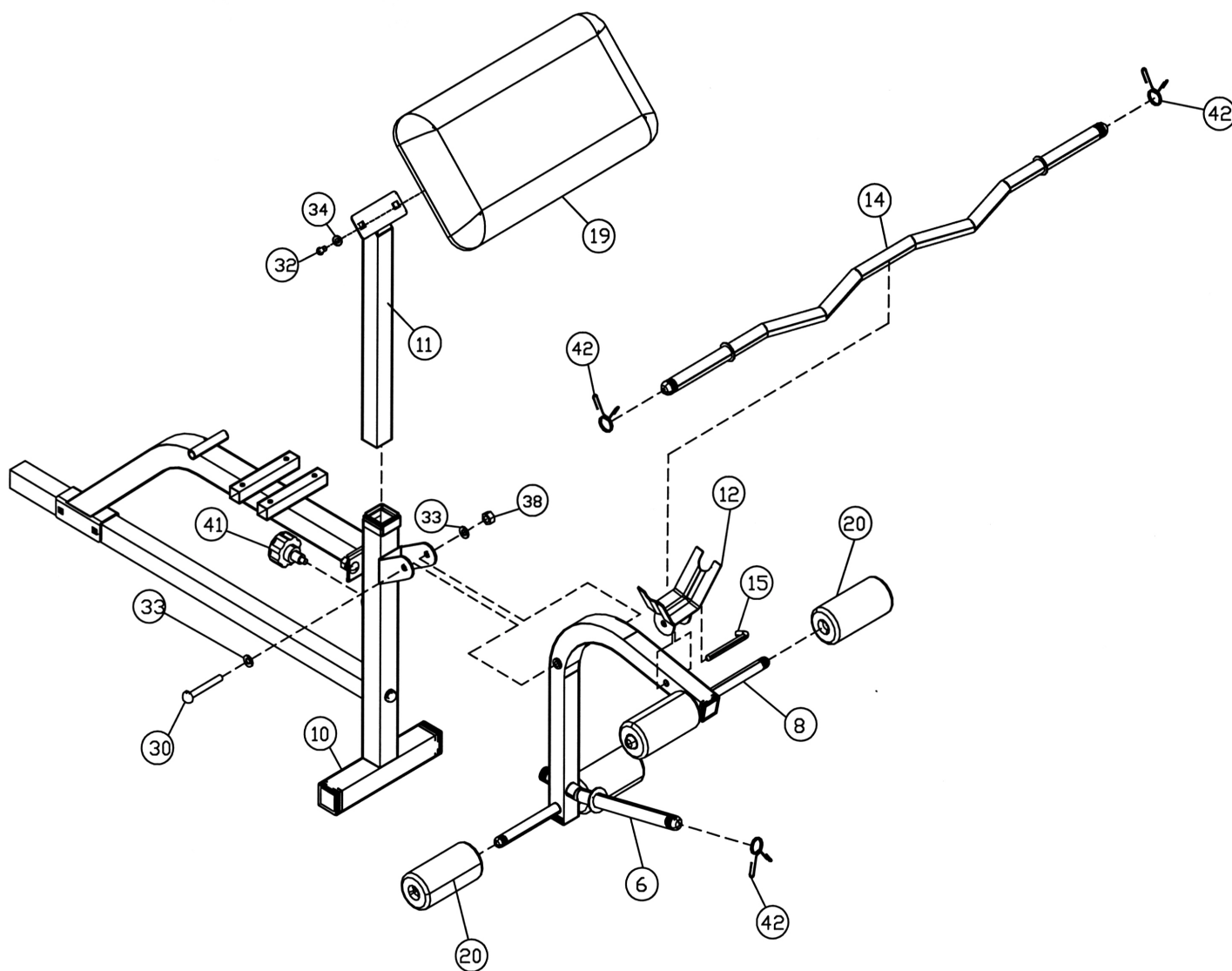
DIAGRAM 3



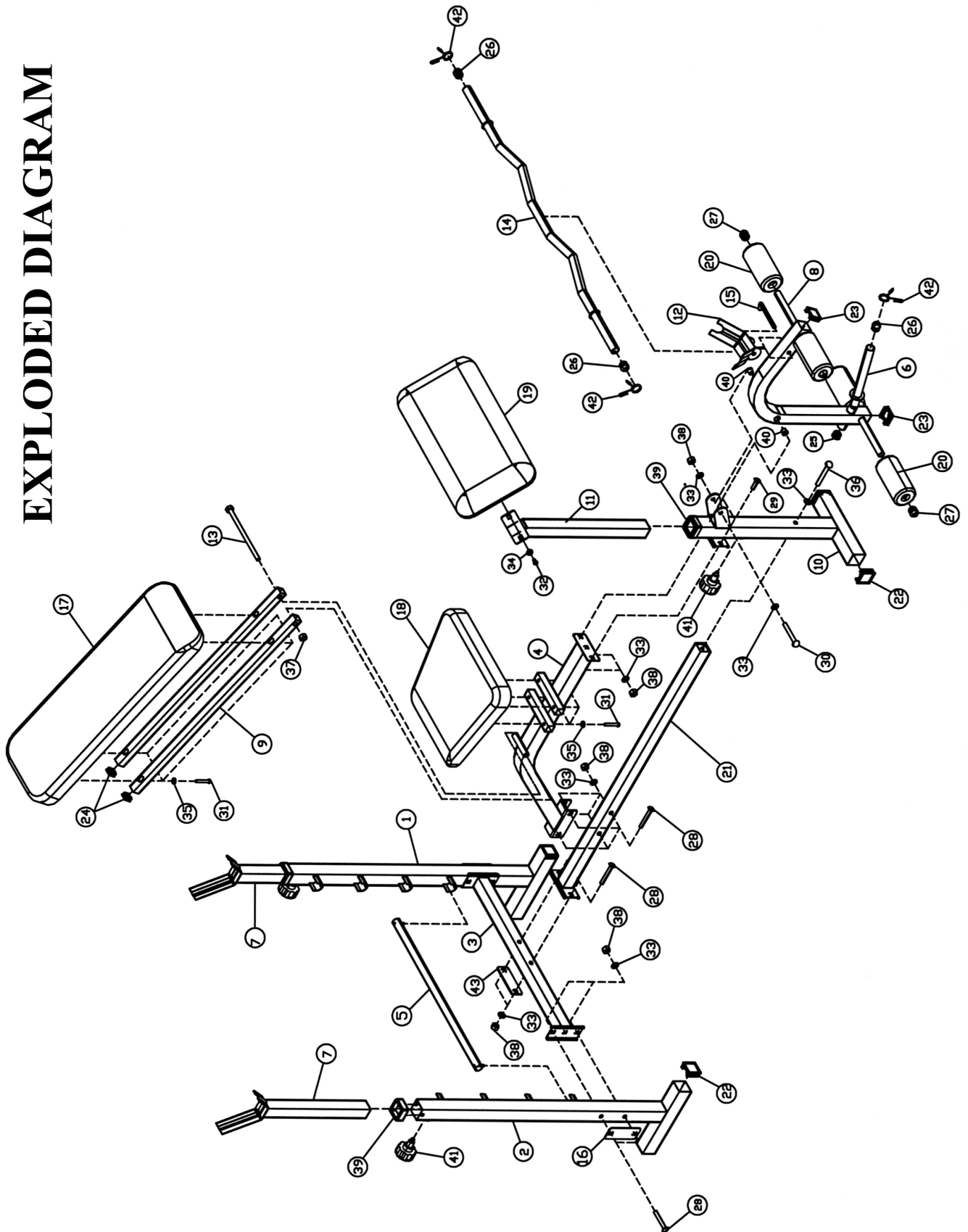
STEP 4 (See Diagram 4)

- A.) Attach the Leg Developer (#6) to the open bracket on the Front Support (#10). Secure it with one M10 x 3" Allen Bolt (#30), two \varnothing 3/4" Washers (#33), and one M10 Aircraft Nut (#38).
- B.) Insert the two Foam Tubes (#8) halfway through the holes on the Leg Developer. Push four Foam Rolls (#20) onto the Foam Tubes.
- C.) Attach the Bar Holder (#12) to the Leg Developer (#6). Secure it with a L-shaped Pin (#15). Remove the Bracket when using the Leg Developer.
- D.) Attach the Arm Curl Pad (#19) to the Arm Curl Stand (#11) then secure it with two M8 x 5/8" Allen Bolts (#32) and two \varnothing 5/8" Washers (#34).
- E.) Insert the Arm Curl Stand (#11) into the top opening on the Front Support (#10) and secure with a Lock Knob (#41). Use the Lock Knob to select the Arm Curl height.
- F.) Attach a Spring Clip (#42) to the weight post on the Leg Developer. Attach two Spring Clips (#42) to the Curl Bar (#14).

DIAGRAM 4



EXPLODED DIAGRAM



PARTS LIST

KEY NO.	DESCRIPTION	Q'ty
1	Left Upright Beam	1
2	Right Upright Beam	1
3	Cross Brace	1
4	Main Seat Support	1
5	Backrest Adjustment Bar	1
6	Leg Developer	1
7	Crutch	2
8	Foam Tube	2
9	Backrest Support	2
10	Front Support	1
11	Arm Curl Stand	1
12	Bar Holder	1
13	M12 x 5 7/8" Hex Bolt	1
14	Curl Bar	1
15	L-shaped Pin	1
16	Bracket	2
17	Backrest Board	1
18	Seat	1
19	Arm Curl Pad	1
20	Foam	4
21	Main Stabilizer	1
22	1 3/4" Square End Cap	6
23	1 1/2" Square End Cap	2
24	1" Square End Cap	2
25	Ø 1" End Cap	1
26	Ø 1" Cone-shape End Cap	3
27	Ø 3/4" Cone-shape End Cap	4
28	M10 x 2 1/2" Carriage Bolt	8
29	M10 x 1" Carriage Bolt	2
30	M10 x 3" Allen Bolt	1
31	M6 x 1 3/8" Hex Bolt	8
32	M8 x 5/8" Allen Bolt	2
33	Ø 3/4" Washer	13
34	Ø 5/8" Washer	2
35	Ø 1/2" Washer	8
36	M10 x 2 3/8" Allen Bolt	1
37	M12 Aircraft Nut	1
38	M10 Aircraft Nut	11
39	Sleeve	3
40	Plastic Bushing	2
41	Lock Knob	3
42	Spring Clip	3
43	4 3/8" x 1 1/2" Bracket	1

IMPEX INC.

LIMITED WARRANTY

IMPEX Inc. ("IMPEX") warrants this product to be free from defects in workmanship and material, under normal use and service conditions, for a period of two years on the Frame from the date of purchase. This warranty extends only to the original purchaser. IMPEX's obligation under this Warranty is limited to replacing or repairing, at IMPEX's option.

All returns must be pre-authorized by IMPEX. Pre-authorization may be obtained by calling IMPEX Customer Service Department at 1-800-999-8899. All freights on products returned to IMPEX must be prepaid by the customer. This warranty does not extend to any product or damage to a product caused by or attributable to freight damage, abuse, misuse, improper or abnormal usage or repairs not provided by an IMPEX authorized service center or for products used for commercial or rental purposes. No other warranty beyond that specifically set forth above is authorized by IMPEX.

IMPEX is not responsible or liable for indirect, special or consequential damages arising out of or in connection with the use or performance of the product or other damages with respect to any economic loss, loss of property, loss of revenues or profits, loss of enjoyments or use, costs of removal, installation or other consequential damages or whatsoever natures. Some states do not allow the exclusion or limitation of incidental or consequential damages. Accordingly, the above limitation may not apply to you.

The warranty extended hereunder is in lieu of any and all other warranties and any implied warranties of merchantability or fitness for a particular purpose is limited in its scope and duration to the terms set forth herein. Some states do not allow limitations on how long an implied warranty lasts. Accordingly, the above limitation may not apply to you.

This warranty gives you specific legal right. You may also have other rights which vary from state to state. Register on-line at www.impex-fitness.com

IMPEX INC.
14777 Don Julian
City of Industry, CA 91746

ORDERING REPLACEMENT PARTS

Replacement parts can be ordered by calling our Customer Service Department toll-free at **1-800-999-8899** during our regular business hours: Monday through Friday, 9 am until 5 pm Pacific standard time.
info@impex-fitness.com

When ordering replacement parts, always give the following information.

1. Model
2. Description of Parts
3. Part Number
4. Date of Purchase

Free Manuals Download Website

<http://myh66.com>

<http://usermanuals.us>

<http://www.somanuals.com>

<http://www.4manuals.cc>

<http://www.manual-lib.com>

<http://www.404manual.com>

<http://www.luxmanual.com>

<http://aubethermostatmanual.com>

Golf course search by state

<http://golfingnear.com>

Email search by domain

<http://emailbydomain.com>

Auto manuals search

<http://auto.somanuals.com>

TV manuals search

<http://tv.somanuals.com>