



Andante

Electric Fireplace
*with integrated
sound system*

Foyer électrique
*avec système
sonore intégré*

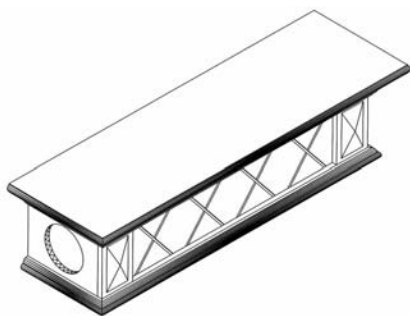


Model / Modèle: GEF282ABL

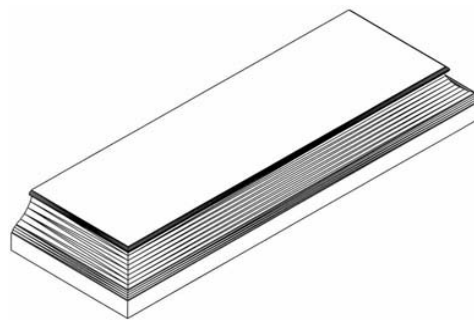
Assembly Instructions
Instructions d'assemblée

TIPS FOR ASSEMBLY OF YOUR NEW MANTEL

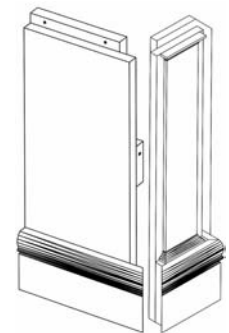
- Before you begin assembly, ensure you have the complete instructions and locate the red hardware bag which contains all the hardware you need to assemble this mantel. Take out all the parts and compare them to the photograph and assembly instructions. Be sure you have all the parts and can identify them.
- A helping hand is always good: assemble your mantel with an adult assistant if possible. Some pieces are heavy and will need to be held by a helper. Assembly time will be approximately 30-60 minutes.
- Locate a good Phillips-head screwdriver. You may also use an electric screwdriver but be careful not to strip the head of the screw by over tightening them.
- After you assemble your mantel, if you find you have interference between the door and the hearth please see Step 10 of these installation instructions for the solution.



TOP 1PC
ZZ.03.8001

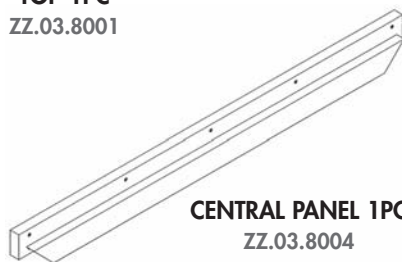


BASE 1PC
ZZ.03.8000



**LEFT LEG
1PC**
ZZ.03.8002

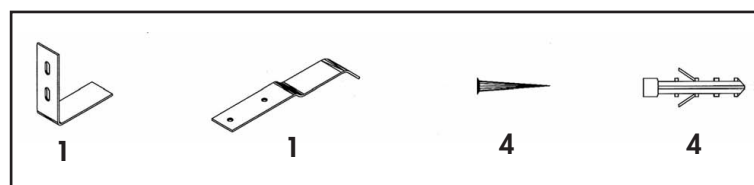
**RIGHT LEG
1PC**
ZZ.03.8003



CENTRAL PANEL 1PC
ZZ.03.8004



**FLAT HEAD SCREW
15PCS**



ANTI-TIP DEVICE 2 SETS

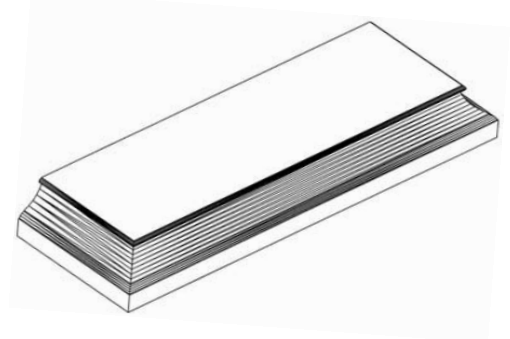
GET READY TO START

Before assembly, use scissors to unwrap the parts from the packaging. DO NOT use a box cutter or exacto-knife as you may cut into the mantel pieces inside the box and damage the finish. Check for the hardware bag which is red and located inside the packaging taped to the top box. Be sure you DO NOT discard any pieces.

For the easiest assembly, use a power Phillips-head screwdriver. DO NOT over tighten the screws.

Step 1

Locate the hearth and place it on the floor. Do not put it up against the wall at this point in the assembly as you need to get in behind the mantel to insert several screws.



Step 2

Locate the left leg of the mantel. Facing the front of the hearth, take the left leg, positioning it so the holes in the blocks on the legs line up with the screw holes in the hearth. Insert the 1" screws into the smaller screw holes and tighten.



Step 3

Locate the right leg of the mantel. Facing the front of the hearth, take the right leg, positioning it so the holes in the blocks on the legs line up with the screw holes in the hearth. Insert the 1" screws into the smaller screw holes and tighten.

Step 4

Take your electric firebox out of its packaging and position it between the 2 legs of the mantel. Ensure the plug is at the back of your mantel, ready to be plugged in before you position your mantel in place up against the wall. The firebox does not get attached to the mantel in any way it just sits there.

If you have any questions about the firebox please reference the installation instructions that come with the unit. Please reference the Quick Tips section of that instruction manual.

Step 5

Locate the header piece that will be attached to the left and right legs and will sit above the firebox. Position the header with the finished side facing the front of the mantel. Insert and tighten the 4 screws which will hold the header in place.

CAUTION

DO NOT USE AN ELECTRIC DRILL TO INSERT THESE SCREWS. A POWER DRILL CAN DRIVE THE SCREWS THROUGH THE FACE OF THIS PANEL THIS SHOULD NOT HAPPEN WITH A MANUAL SCREW DRIVER.



Step 6

Get your helper and locate the top of your mantel. This top is very heavy. It will take 2 people to lift and position it in place. Ensure the top goes over the positioning guide located on the header. The top must go over this guide to be positioned correctly. Once the top is in place insert and tighten the 9 screws which hold the top in place.



Step 7

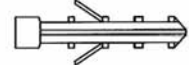
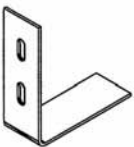
For assembly of the audio kit please refer to the audio kit manual in the subwoofer box. Follow the instructions and your system will be ready for your listening pleasure.

Step 8

You are now ready to position your mantel against the wall. This step requires 2 people to move the unit. Once you are close to the wall, plug the firebox into the nearest outlet.

Anti-tipping device

At this point you must attach the anti-dipping device to your mantel and your wall. This device is a safety feature that will prevent your mantel from tipping over if a weight is applied which can unbalance the unit (like a child climbing onto it).



WARRANTY

DO NOT RETURN THIS PRODUCT TO THE STORE:

Greenway Home Products is pleased to offer in home warranty repairs.

Please contact Customer Service at:

In Canada: 1-866-253-0447

In the USA: 1-866-282-0533

Limited Warranty Definitions

Greenway Home Products:	Manufacturer.
Mantel:	Mantel manufactured by Greenway Home Products.
Purchaser:	Purchaser of the Mantel
Distributor:	Facility authorized to sell Greenway Home Products.
Warranty Card	Greenway Home Products Limited Warranty Registration Card identifying the Purchaser and product model.

Greenway Limited Warranty:

Greenway warrants to the Purchaser that the Mantel is free from defects in material and workmanship, under normal use and service, for 1 year (1 year limited parts) from the date of purchase.

All warranty repairs must be preauthorized by Greenway Home Products. Greenway will, at its option, replace or repair free of charge any defective part, which the Purchaser shall notify their Distributor or Greenway Home Products within the warranty period. The obligation of Greenway Home Products under this warranty, is expressly limited to such replacement or repairs.

The provisions of this limited warranty shall not apply to the following:

1. Accidents.
2. Unauthorized repairs or alterations.
3. Normal maintenance.
4. Changes made to other units manufactured after this mantel was manufactured.
5. Incidental damages caused by failure of the wine cooler such as inconvenience or loss of use.
6. Improper installation.

The provisions of this limited warranty shall not apply to deterioration due to wear and exposure beyond the following limitations:

1. For 180 days from the date of purchase for exterior finished surfaces.

Due to the properties of natural wood, Greenway Home Products makes no warranty against mineraling of wood components.

Greenway Limited Warranty is void unless the following conditions are adhered to:

1. Warranty registration must be completed and returned to Greenway Home Products.
2. All warranty repairs must be preauthorized by Greenway repair facility.
3. Greenway reserves the right to inspect defective parts that have been replaced under warranty. Dealer is expected to hold defective parts for 60 days.
4. Only parts and accessories and other material, available through Greenway Home Products are to be used in the performance of warranty service.
5. Purchasers are responsible for presenting/notifying their Distributor as soon a problem exists. The warranty repairs should be completed in a reasonable amount of time from the date of authorization. Not to exceed 30 days past notification.
6. It is the original purchaser's responsibility to deliver this unit (along with the original proof of purchase) to the nearest authorized service center. Any transportation charges incurred are the responsibility of the purchaser and are not included in this warranty.

This limited warranty is expressly in lieu of any other expressed or implied warranty, including any implied warranty or merchantability or fitness for a particular purpose and of any obligations or liabilities on Greenway Home Products which neither assumes nor authorizes any other person to assume for it any other liability in connection with the Water Dispenser manufactured by it.

The warranty is null and void if used in commercial or industrial applications.



Free Manuals Download Website

<http://myh66.com>

<http://usermanuals.us>

<http://www.somanuals.com>

<http://www.4manuals.cc>

<http://www.manual-lib.com>

<http://www.404manual.com>

<http://www.luxmanual.com>

<http://aubethermostatmanual.com>

Golf course search by state

<http://golfingnear.com>

Email search by domain

<http://emailbydomain.com>

Auto manuals search

<http://auto.somanuals.com>

TV manuals search

<http://tv.somanuals.com>