

HE 32	Art. 4002
HE 36	Art. 4000
HE 40	Art. 4001
MulchCut HE 36	Art. 4008
MulchCut HE 40	Art. 4009

D Gebrauchsanweisung
Hatrack

GB Operating Instructions
Hatrack

F Mode d'emploi
Tondeuse Hatrack

NL Gebruiksaanwijzing
Hatrack

S Bruksanvisning
Hatrack Gräsklippare

I Istruzioni per l'uso
Hatrack

E Manual de instrucciones
Hatrack

P Instruções de utilização
Hatrack

D

Bitte lesen Sie diese Gebrauchsanweisung vor Montage und Inbetriebnahme Ihres Gerätes sorgfältig.

Beim Lesen der Gebrauchsanweisung bitte die Umschlagseiten herausklappen.

Inhaltsverzeichnis	Seite
1. Technische Daten	7
2. Hinweise zur Gebrauchsanweisung	7
3. Ordnungsgemäßer Gebrauch	7
4. Montage	7
5. Inbetriebnahme	8
6. Richtiges Mähen und Lüften	9
7. Wartung, Pflege und Aufbewahrung	11
8. Behebung von Störungen	12
9. Hinweise zur ordnungsgemäßen Benutzung, Sicherheitshinweise	13
Garantie	72

GB

Please read these operating instructions carefully before assembling and using your lawn mower.

Unfold inside cover pages to read the operating instructions.

Contents	Page
1. Technical data	16
2. Operating instructions information	16
3. Product use	16
4. Assembly	16
5. Using the product	17
6. Information concerning correct mowing and aerating	18
7. Maintenance, service, storage	19
8. Trouble-shooting	21
9. Advice for proper use / safety instructions	22
Guarantee	72

F

Nous vous remercions de bien vouloir lire attentivement ce mode d'emploi avant le montage et l'utilisation de votre tondeuse Hattract. Dépliez le 2ème volet de la couverture pour avoir les illustrations sous les yeux pendant la lecture du mode d'emploi.

Contenu	Page
1. Caractéristiques techniques	24
2. Informations sur le mode d'emploi	24
3. Domaine d'utilisation	24
4. Montage	24
5. Mise en marche	25

6. Conseils pour tondre et aérer correctement	26
7. Entretien et rangement	28
8. Incidents de fonctionnement	29
9. Conseils de sécurité et précautions d'emploi	30
Garantie	72

NL

Lees deze gebruiksaanwijzing voor de montage en ingebruikname van het apparaat zorgvuldig door. Bij het lezen van de gebruiksaanwijzing de pagina's met de afbeeldingen open slaan.

Inhoudsopgave	Pagina
1. Technische gegevens	32
2. Aanwijzing bij de gebruiksaanwijzingen	32
3. Juiste gebruik	32
4. Montage	32
5. Ingebruikname	33
6. Juiste manier van maaien en verticuteren	34
7. Verzorging, onderhoud en opslag	36
8. Opheffen van storingen	37
9. Aanwijzing voor het juiste gebruik, veiligheidstips	38
Garantie	72

S

Läs omsorgsfullt igenom bruksanvisningen och säkerhetsföreskrifterna innan Du tar Hattract i bruk. Ha omslaget utvikt när Du läser bruksanvisningen.

Innehållsförteckning	Sida
1. Tekniska data	40
2. Viktig information	40
3. Avsedd användning	40
4. Montering	40
5. Drift	41
6. Rätt klippning och luftning	42
7. Underhåll, skötsel och förvaring	43
8. Felsökning	45
9. Säkerhetsföreskrifter	46
Garanti	73

I

Prima di montare e mettere in uso l'attrezzo, leggere attentamente le istruzioni tenendo aperto il pieghevole per avere sott'occhio i disegni esplicativi.

Indice	Pagina
1. Dati tecnici	48
2. Avvertenze	48
3. Uso corretto	48

4. Montaggio	48
5. Messa in uso	49
6. Modalità funzionali	50
7. Manutenzione	52
8. Anomalia di funzionamento	53
9. Norme d'uso e di sicurezza	54
Garanzia	73

E

Lea detenidamente estas instrucciones de este montaje y de la puesta en marcha del aparato. Durante la lectura, rogamos desdoble la portada.

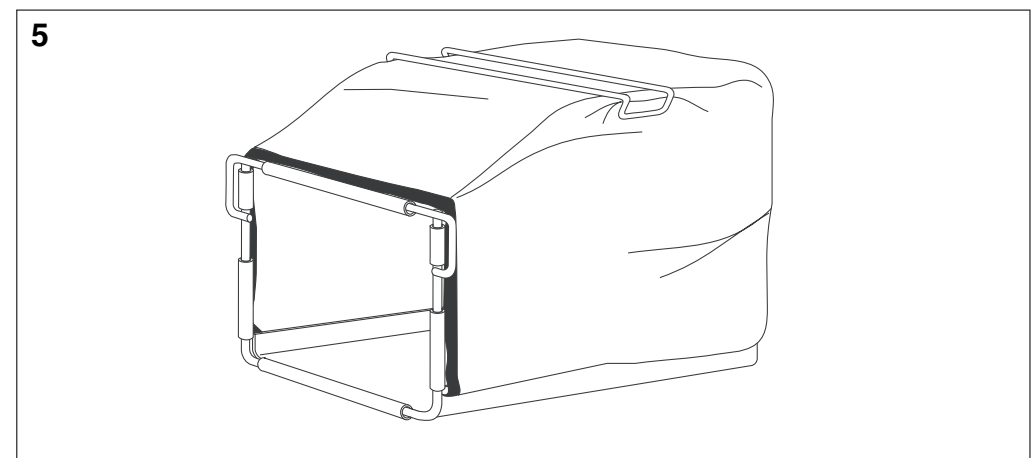
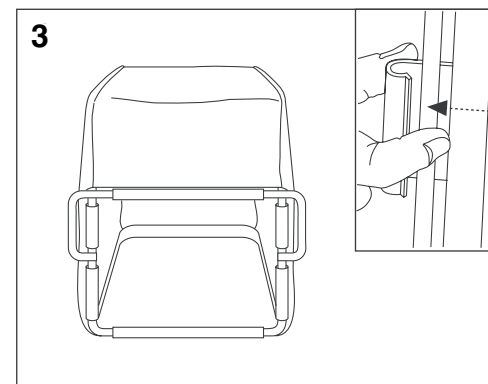
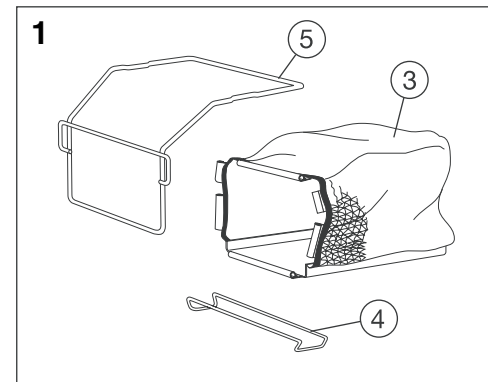
Indice	Página
1. Datos técnicos	56
2. Indicaciones al manual de instrucciones	56
3. Uso correcto	56
4. Montaje	56
5. Puesta en servicio	57
6. Cortar y airear correctamente	58
7. Mantenimiento y conservación	59
8. Solucionar averías	61
9. Indicaciones para un correcto uso / indicaciones de seguridad	62
Garantía	73

P

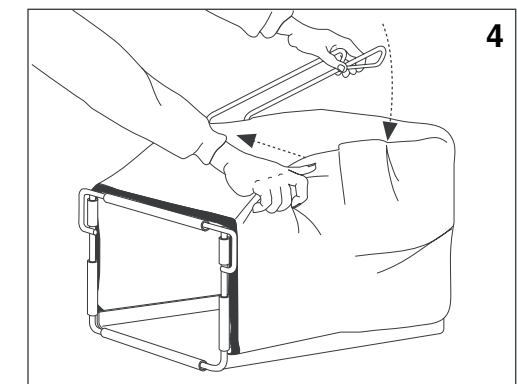
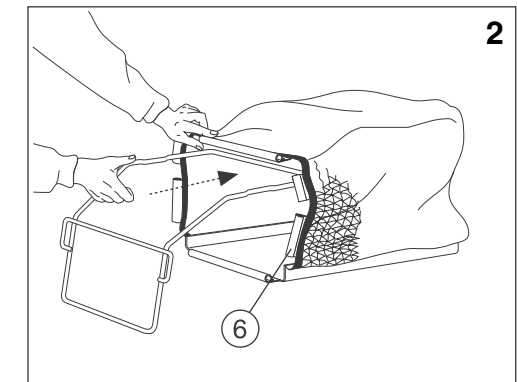
Leia atentamente estas instruções antes de montar ou utilizar esta máquina de cortar relva Hattract. Para ler este manual de utilização, desdobre a capa.

Indice	Página
1. Dados técnicos	64
2. Informação sobre as instruções de manejo	64
3. Finalidade do produto	64
4. Montagem	64
5. Utilização do produto	65
6. Informações sobre a forma correcta de cortar e aerificar áreas relvadas	66
7. Manutenção, serviço, armazenamento	68
8. Guia de avarias	69
9. Conselhos para uma utilização correcta / instruções de segurança	70
Garantia	73

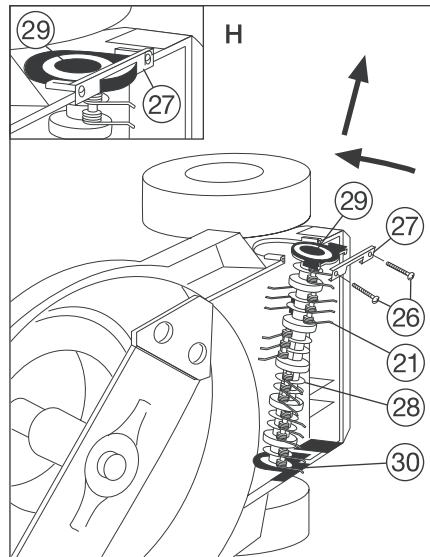
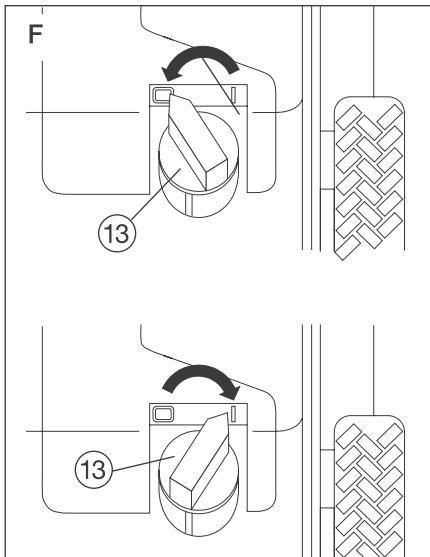
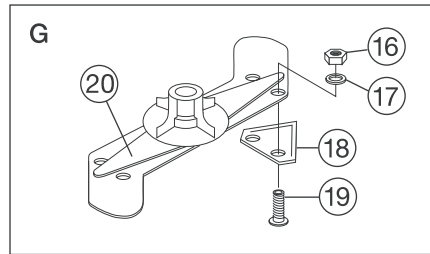
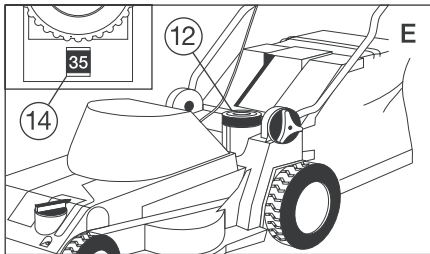
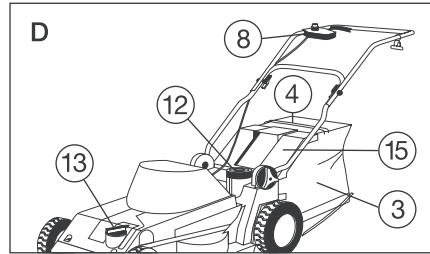
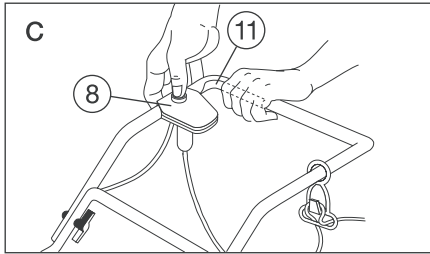
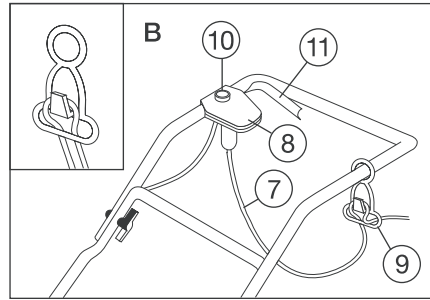
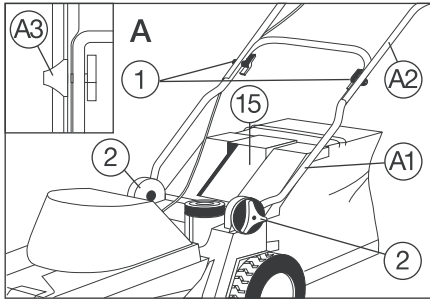
Montage des Grasfangsackes
Mounting the grass catcher
Montage du sac de ramassage
Montage van de grasvangzak



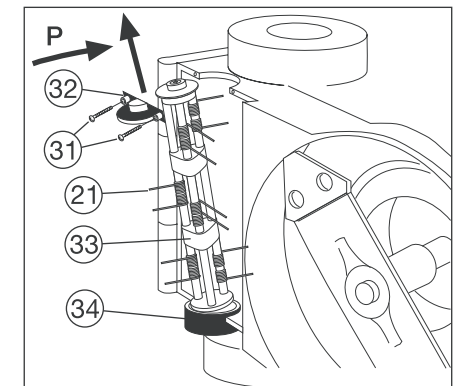
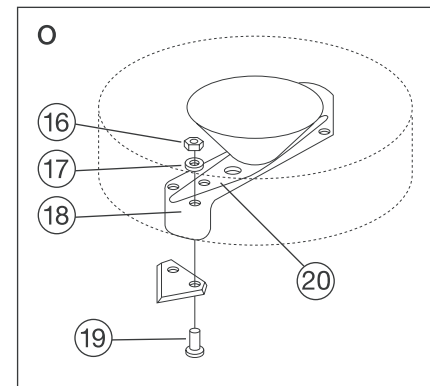
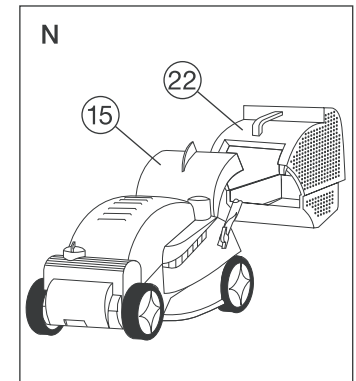
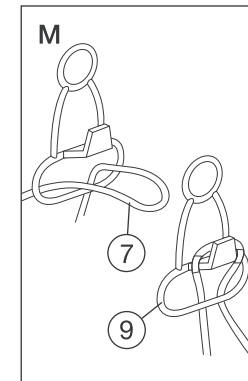
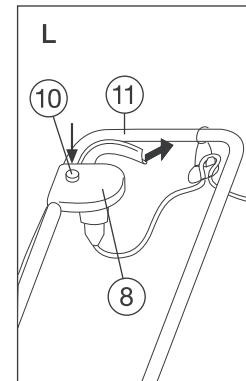
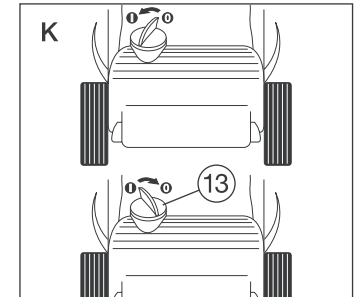
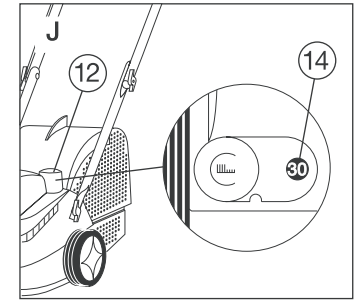
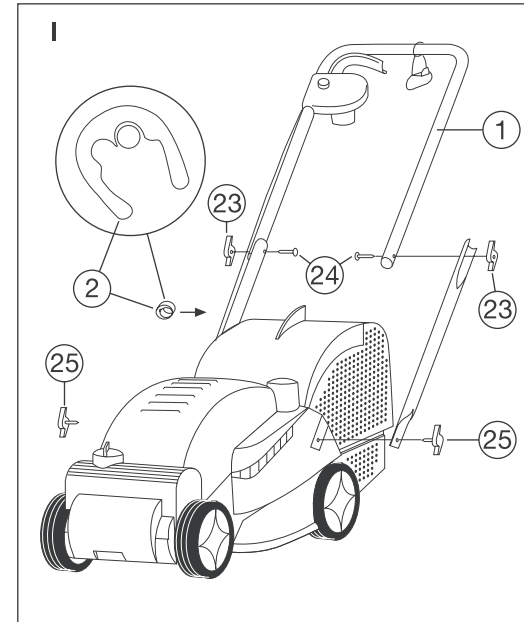
Montering av grässamlarsäcken
Montaggio del sacco raccogliërba
Montaje del saco de recogida
Montagem do cesto aparador de relva



HE 36 / HE 40



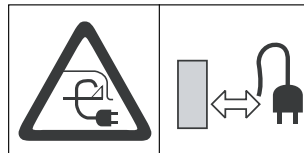
HE 32



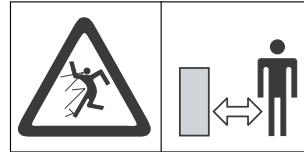
Beachten Sie die Sicherheitshinweise auf dem Gerät:
 Please adhere to the following safety instructions on the casing:
 Veuillez respecter les consignes de sécurité figurant sur l'appareil :
 Houdt rekening met de de veiligheidsaanwijzingen op het apparaat:
 Följ bruksanvisningarna noga:
 Attenzione ai simboli di sicurezza riportati sull'attrezzo :
 Observen las indicaciones de seguridad en el aparato:
 Por favor siga atentamente as instruções de segurança fornecidas no aparelho:



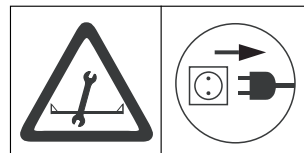
**Achtung! Vor Inbetriebnahme
Gebrauchsanweisung lesen!**
Warning!
Read instruction handbook!
Attention ! Merci de lire attentivement le mode d'emploi avant d'utiliser cet appareil !
Let op! Voor ingebruikname gebruiksaanwijzing doorlezen!
Varning! Läs igenom bruksanvisningarna före användning.
Attenzione! Prima di mettere in uso l'attrezzo, leggere attentamente le istruzioni!
¡Atención! Antes de la puesta en marcha, lea el manual de instrucciones.
Atenção! Leia atentamente este manual de instruções antes de usar o aparelho.



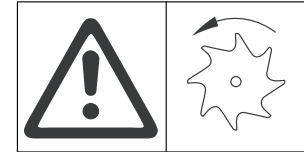
**Anschlusskabel von den
Schneidwerkzeugen fernhalten!**
Keep cord away from tools!
Tenez le câble d'alimentation éloigné du système de coupe !
Aansluitkabel buiten het snijbereik houden!
Håll kablarna borta från skärverktyget.
Tenere il cavo di alimentazione fuori dalla portata delle lame!
Mantenga el cable fuera del alcance de las cuchillas.
Mantenha o cabo de alimentação afastado das lâminas!



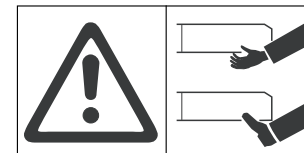
Dritte aus dem Gefahrenbereich fernhalten!
Keep bystanders away!
Maintenez tout tiers hors de la zone de travail !
Zorg ervoor dat derden buiten de gevarezone blijven!
Tillse att inga obehöriga vistas i området!
Tenere lontano i terzi dalla zona di lavoro!
¡Mantener alejados a terceros del área de trabajo!
Mantenha terceiros fora da área de perigo!



**Vor Arbeiten am Schneidwerkzeug
Netzstecker ziehen!**
Before maintenance, disconnect the plug from the mains!
Débranchez l'appareil avant toute intervention sur le système de coupe !
Voor werkzaamheden aan de maaier, de stekker uit het stopcontact halen!
Dra ur kablarna före underhåll och service.
Prima di qualsiasi intervento di manutenzione, staccare la spina dalla corrente!
Para ejecutar trabajos de limpieza, control o de mantenimiento desenchufe el aparato.
Antes de qualquer operação de reparação desligue a ficha da tomada.



**Achtung, Gefahr! Umlaufende
Schneidwerkzeuge!**
Warning! Rotating tools!
Attention ! Danger ! Le système de coupe continue de tourner.
Let op! Gevaar! Roterend maaimes!
Varning roterande skärverktyg.
Attenzione! Pericolo!
Lame in rotazione!
¡Atención! ¡Peligro!
Cuchillas rotativas.
Atenção! Lâminas rotativas.



**Achtung! Verletzungsgefahr durch
scharfes Schneidwerkzeug –
Finger und Füße entfernt halten!**
Warning! Risk of injury. Keep fingers and feet away from sharp cutting tool!
Attention ! Risque de blessures par le cylindre de coupe – ne mettez ni mains ni pieds à proximité !
Let op! Verwondingsgevaar door scherp snijgereedschap – vingers en voeten weghouden !
Varning! Risk för skada p.g.a. skärverktyg med skarp egg – Håll fingrar och fötter borta!
Attenzione! Tenere sempre mani e piedi a distanza di sicurezza dalle lame. Pericolo di lesioni!
¡Atención! ¡Peligro de lesiones con las cuchillas de corte afiladas!
¡Mantenga alejados los dedos y los pies!
Atenção! Perigo de danos pessoais devido a ferramentas de corte afiladas – manter afastados os dedos e pés!

GARDENA Hattrick HE 32 / HE 36 / HE 40


1. Technical data

	HE 32	HE 36 / MulchCut	HE 40 / MulchCut
Motor		electric engine with brake	
Power consumption	1300 W	1400 W	1600 W
Voltage	230 V	230 V	230 V
Frequency	50 Hz	50 Hz	50 Hz
Casing	plastic	plastic	plastic
Cutting width	32 cm	36 cm	40 cm
Cutting height	25 - 55 mm	30 - 70 mm	30 - 80 mm
Weight	15.5 kg	20.6 kg	27.5 kg
Grassbox / grass catcher capacity	32 l	36 l	55 l
Wheels	plain bearing	plain bearing	ball bearing
Working area related emission characteristic value $L_{PA}^{1)}$	74 dB (A)	74 dB (A)	78 dB (A)
Noise level $L_{WA}^{2)}$	85 dB (A)	87 dB (A) / 89 dB (A)	88 dB (A) / 90 dB (A)
Vibrations $a_{vhw}^{1)}$	< 2.5 ms^{-2}	< 2.5 ms^{-2}	< 2.5 ms^{-2}

Measuring method ¹⁾ according to EN 836 ²⁾ according to 84/538/EC

2. Operating instructions information

Please read and follow these operating instructions carefully. Familiarise yourself with the unit's features, its proper use and the safety instructions included.

 **For safety reasons children under the age of 16 or people not familiar with these operating instructions must not use this electric Hattrick lawn mower.**


Please keep these instructions in a safe place.

3. Product use

The GARDENA Hattrick HE 32 / HE 36 / HE 40 lawn mowers are designed for cutting and aerating lawns in and around the garden.

They are not designed for use in public facilities, parks, sporting grounds, on roads, in agriculture or forestry.

It is essential to observe the manufacturer's operating instructions to ensure the unit's proper functioning. The operating instructions also contain advice for service, maintenance and repair.

 **Attention! To prevent injury, the electric Hattrick lawn mower must not be used**

for trimming bushes, hedges, shrubs, for cutting and pruning of climbers or grass on roofs or in balcony boxes. In addition, the electric Hattrick lawn mower must not be used for chopping up branches, twigs or for levelling irregularities in the soil.

4. Assembly

4.1 Assembling the Hattrick HE 32

Parts list check

The packaging of the HE 32 should include the following parts:

- Electric Hattrick lawn mower HE 32

- Grassbox
- 1 handlebar frame upper section (handle with switch)
- 2 lower handlebar frame sections
- Fasteners for handlebar frame
- Operating instructions
- TORX®-screwdriver for changing blades

Mounting the guide handle (ill. I)

1. Slide the lower sections of the frame into the recesses so that the flat sides point outwards.
2. Screw the frame in place using the wing screws (25) supplied.
3. Place the guide handle (1) into the hollow grooves and attach it to the lower handlebar frame

using the screws (24) and wing nuts (23) supplied.

Note: The cable should always pass along the outside of the frame (ill. I) and should never be pinched or crimped.

4. To tighten the cable, put the clamp (2) from outside onto the lower part of the frame (ill. I, detail).

4.2 Assembling the Hattrick HE 36 / HE 40

Parts list check

The packaging of the HE 36 / HE 40 should include the following parts:

- Electric Hattrick lawn mower
- Grass catcher (disassembled)
- Top of guide handle
- Fastening elements for guide handle
- Operating instructions with warranty card
- TORX®-screwdriver for changing blades

Mounting the guide handle (ill. A)

1. Swivel the folded bottom part of the guide handle (A1) into the working position and allow it to engage. Tighten well with the lower linkage locking handles (2).
2. Put the top of the guide handle (A2) onto the bottom part of the guide handle (A1) and secure using the fastening bits (screw and plastic wing nut).
3. Insert the connection cable into the cable guide on the wing screw (A3).

Note: Only mount the screw with the cable guide on the cable guiding side of the handle.

Mounting the grass catcher (illustration sequences 1-5)

The grass catcher is supplied loose (3 component parts).

The carrying handle (4) is below the protective cover (15).

1. Unfold the grass catcher (3) and insert the supporting frame (5) through the opening of the grass catcher (3) so that the plastic base is on the bottom.
2. Then bend up the fastening flaps (6) by hand according to illustration 2 and use them to fix the grass catcher (3) to the supporting frame (5) according to illustration 3.
3. Fasten the carrying handle (4) by pressing the supporting frame (5) according to illustration 4. The assembled grass catcher is shown in illustration 5.

Note: The supporting frame (5) is bent for fixing the carrying handle (4).

5. Using the product

5.1 Connecting the unit – cable lock / extension cable

Hattrick HE 32 (see ill. L/M)
Hattrick HE 36 / HE 40 (see ill. B)
First plug the extension cable (7) from below into the base socket of the combination switch/plug (8). Loop the extension cable (7) and insert it into the cable lock (9) on the guide handle, allow the lead to the socket to sag a little. The cable lock prevents unintentional disconnection of the electricity.

Lay out the surplus cable in loose loops at the side of the cutting lane and at the centre of the lane length.

Note: Connect the extension cable to the mains so that it always feeds from the cut side.

5.2 Starting the Hattrick lawn mower

Hattrick HE 32 (see ill. L)
Hattrick HE 36 / HE 40 (see ill. B/C)

Place your electric Hattrick lawn mower on an even area of the lawn.

To start the mower depress the release button (10) on the combination switch/plug (8) and simultaneously pull the safety handle (11) to the guide handle with the other hand. As soon as the motor starts you can release the release button (10).

If you release the safety handle (11) the motor switches off. A built-in motor brake still the cutting blades within three seconds.

Hattrick HE 32


If the aerator cylinder or the cutting blades are blocked by a foreign body or if the motor is overloaded release the safety handle (11) and **disconnect the mains plug!** Remove the foreign body if necessary.

Note: In long, wet grass, to start your electric Hattrick easily, slightly raise one side of the mower.

Hattrick HE 36 / HE 40

If the aerator cylinder or the cutting blades are blocked by a foreign body or if the motor is overloaded the motor switches off automatically within 20 to 35 seconds due to the built-in overload protection. In that case release the safety handle (11). **Disconnect the mains plug!** Remove the foreign body if necessary.

Note: In long, wet grass, to start your electric Hattrick easily, slightly raise one side of the mower.

 **The switches installed by the manufacturer must not be removed or be bridged eg: by taping down the safety handle to the guide handle. This will prevent the mower switching off automatically, and could cause fatal injury.**

Attention! Cutting blades continue to run for three seconds after the motor is switched off.

6. Information concerning correct mowing and aerating

6.1 General remarks on the care of lawns

To keep your lawn at its best we recommend you to cut it regularly once a week. Depending on the growth of moss and weeds, switch on the aerator cylinder as well. Frequent mowing and aerating improves growth of the lawn and makes the grass stronger.

Short clippings (up to a length of about 1 cm) can be left on the lawn. Longer clippings must be removed to prevent the lawn becoming yellow or matted.

Cut and aerate the lawn for the first time in spring when the grass begins to grow and the lawn can be walked on. If the grass has grown too long first cut it lengthwise with a high cutting height setting (without switching on the aerator cylinder) and then cut at right angles with the desired cutting height setting, optionally with the aerator cylinder switched on.

6.2 Mowing Only cut with sharp blades so that the grass is not bruised and turn yellow.

To obtain a clean cut guide the electric Hattrick lawn mower at an appropriate speed in lanes as straight as possible. Ensure that the lanes overlap by a few centimetres so that no uncut strips are left behind.

Adjusting the cutting height

Hattrick HE 32 (ill. J)

Hattrick HE 36 / HE 40 (ill. E)
The electric Hattrick lawn mower has a central, infinite cutting height adjustment via a turning knob (12). In front of the turning knob (12) there is a display (14) indicating the set cutting height in steps of 5 mm.

Hattrick HE 32:

cutting height range 25 - 55 mm

Hattrick HE 36:

cutting height range 30 - 70 mm

Hattrick HE 40:

cutting height range 30 - 80 mm

Note: When working on slopes, always mow at right angles to the slope. To prevent the electric Hattrick lawn mower from sliding away, point it slightly uphill.

Always keep the bottom side of the mower casing clean and remove grass deposits. Deposits complicate the start-up procedure and affect the cutting result as well as ejection of the grass clippings.

6.3 Mowing with the aerator cylinder

Hattrick HE 32 (ill. K)

Hattrick HE 36 / HE 40 (ill. F)

Switching the aerator cylinder on/off

Switch off the motor before switching the aerator cylinder on or off.

To switch on the aerator cylinder set the rotary switch (13) to position "1".

To switch it off set the rotary switch (13) to position "0".

Remarks on mowing with the aerator cylinder switched on

The aerator cylinder can be used for pulling drainages, removing matting and moss in the lawn as well as for cutting flat-rooting ranks.

If the grass is particularly tall, before using the aerator, make a pre-cut at the maximum cutting height to prevent overload of the lawn mower.

At the end of the cutting lane or for turning round the electric Hattrick lawn mower, tilt it slightly by pressing onto the guide handle. This way you can turn it easily using the rear wheels with the aerator cylinder running free.

After having aerated heavily moss-covered areas, it is recommended to re-sow the lawn. This will help the affected lawn to recover quickly.

The aerator cylinder can be individually used depending on the needs and condition of the lawn. The table below provides information on the use of the aerator cylinder.

Use of the aerator cylinder	Cutting height setting	Function of the aerator cylinder
Deep aeration of the soil	30 - 35 mm	The aerator springs penetrate up to 4 mm (HE 32) and up to 7 mm (HE 36 / HE 40) deep into the sod depending on the type of soil.
Aeration of the soil surface	35 - 40 mm	The aerator springs remove moss and matting rooting near the surface.
Raking the lawn	40 - 45 mm	The aerator springs remove residues from the lawn.
Gathering grass clippings etc.	40 - 55 mm	The aerator springs remove even wet or trodden-in grass clippings etc. from the lawn.

6.4 Mowing with the grass catcher

As soon as there are grass clippings left on the lawn during mowing and aerating, the grass catcher should be emptied.

6.4.1 Grassbox HE 32 (ill. N)

Removing the grassbox

To remove the grassbox, lift the safety cover (15) with one hand. With the other hand use the handle to remove the grassbox (22).

If the protective cover is released it automatically shuts and closes the ejection opening.

If grass clippings stick in the ejection opening, pull the electric Hattrick lawn mower back about 1 m so that the grass clippings drop out and starting the motor becomes easier.

Fitting the grassbox

Attention! Attach the grassbox only with the motor switched off and the cutting blades still.

With one hand lift the safety cover (15); with the other hand hold the

handle of the grassbox (22) and fit it to the holder.

Note: If properly seated, the protective cover fits firmly to the grassbox.

Please ensure that the protective cover does not open during operation as foreign bodies (such as grass cuttings) can be thrown out.

Mowing without the grassbox

The Hattrick lawn mower can be used without the grassbox with the safety cover closed. The clippings are put down on the lawn below the safety cover.

6.4.2 Grass catcher HE 36 / HE 40 (ill. D)

Removing the grass catcher

To remove the grass catcher (3) lift the protective cover (15) on your electric Hattrick lawn mower with one hand. With the other hand take the carrying handle (4) and remove the grass catcher (3) upwards.

If the protective cover (15) is released it automatically shuts and closes the ejection opening.

If grass clippings stick in the ejection opening, pull the electric

Hattrick lawn mower back about 1 m so that the grass clippings drop out and starting the motor becomes easier.

Note: To ensure good filling volume regularly clean the grass catcher inside and outside.

Attaching the grass catcher

Attach the grass catcher only with motor switched off and the cutting blades still.

Lift the protective cover (15) with one hand. With the other hand hold the grass catcher (3) at the carrying handle (4) and insert it into the fixing of the ejection opening from above.

Note: If properly seated, the protective cover (15) fits snugly to the grass catcher (3).

Mowing without the grass catcher

The Hattrick lawn mower can be used without the grass catcher with the protective cover (15) closed. The clippings are put down on the lawn below the protective cover.

7. Maintenance, service, storage

7.1 Maintenance

Maintenance includes all jobs which keep your electric Hattrick lawn mower in perfect working order. By regularly checking the unit (firm seating of screw connections, cracks, damage) and replacing defective or worn parts you can prevent accidents and failure.

Repairs may only be carried out by GARDENA service centres or dealers authorised by GARDENA.

Turn the Hattrick off and disconnect from the mains before cleaning or making any adjustments to the

mower, or checking whether the extension cable is entangled or damaged. Danger of injuries!

To avoid injury to persons and material damage: Never clean your electric Hattrick lawn mower with running water, in particular with water under high pressure.

Store your electric Hattrick lawn mower in a dry place where it is protected from frost. The lawn mower should be stored out of the reach of children.

Follow the manufacturer's instructions when replacing

the blades or the aerator cylinder.

Caution! Danger of injuries. Wear suitable protective gloves when working.

Please use only Original GARDENA spare parts:

Triangular Blades (HE 32 / HE 36 / HE 40) Art. no. 4098
Rectangular Blades (MulchCut HE 36 / HE 40) Art. no. 4099

Aerator Cylinder (HE 32) Art. no. 4095

Aerator Cylinder (HE 36) Art. no. 4096

Aerator Cylinder (HE 40) Art. no. 4097

You can order these spare parts from your GARDENA dealer or directly from the GARDENA customer service.

Never use spare parts or accessories which have not been designed by the manufacturer!

7.2 How to replace the blades (ill. G/O)

Note: The blades have two cutting edges.

If one edge has become blunt the blade can be reversed. Broken blades must be replaced immediately due to potential imbalance.

Do not regrind the blades due to potential imbalance.

The blades must always be replaced or reversed in pairs.

When replacing the blades (18) always use new nuts and bolts supplied with the spare blades.

1. Remove the mains plug.
2. Loosen both locking nuts (16) while holding the corresponding screws (19). Use the TORX®-wrench provided.
3. Reverse the blades or mount new blades and secure tightly (torque 25 Nm).
Tip: During installation make sure that the toothed locking

washers (17) are fitted under the nuts (16) and that the nuts (16) are on top of the blade bar (20).

7.3 Replacing the blade bar

Damaged blade bars must be replaced to prevent imbalance.

For safety reasons the blade bar must be replaced by GARDENA service centres or dealers authorised by GARDENA.

7.4 Replacing the aerator cylinder (ill. H/P)

The aerator cylinder is subject to natural wear and tear. If the springs (21) are worn the unit will not aerate efficiently. The springs and/or the aerator cylinder must be replaced.

Hattrick HE 32 (ill. P)

1. **Disconnect from the mains supply!**
2. Upturn the Hattrick onto the right-hand side of the mower housing.
3. Use a suitable crosstip screwdriver to loosen the screws (31).
4. Remove the plastic support bracket (32).
5. Take out the aerator cylinder (33) by tilting and removing from the drive shaft (34) (triangular driver).

6. Fit a new aerator cylinder (33) to the drive shaft (34) (triangular driver), mount the plastic support bracket (32) and screw down with both screws (31).

Hattrick HE 36 / HE 40 (ill. H)

1. **Disconnect from the mains supply!**
2. Upturn the Hattrick onto the left-hand side of the mower.
3. Use a suitable crosstip screwdriver to loosen the screws (26).
4. Remove the bearing plate (27).
5. Take out the aerator cylinder (28) together with the end plate (29) by removing both from the drive shaft (30) (rectangular).
6. Fit a new aerator cylinder (28) to the drive shaft (30) (rectangular), mount the end plate (29) and fasten down in the Hattrick housing together with the bearing plate using both screws (26).

7.5 Service

Residual dirt and grass is easily removed immediately after mowing. For this, place the electric Hattrick lawn mower on its side and clean it with a brush or rag. Also remove residue from the aerator cylinder.

7.6 Storage

HE 32

Always store your electric Hattrick lawn mower in a closed room.

For the **Hattrick HE 32** the guide handle and the lower part of the frame can be detached.

HE 36 / HE 40

To save space the handle of the **Hattrick HE 36 / HE 40** can be folded down Z-shaped. For this, loosen the lower linkage locking handles (2) and pull the bars sideways out of the mount. Loosen the bar tightening handle (1) at the joint and fold the upper part of the handle backwards (ill. A).

⚠ When folding down the bars make sure that the connection cable is not jammed or damaged.

If you have any problem with your electric Hattrick lawn mower, please contact our Customer

Service, or return the defective unit together with a short description of the problem and, in case of guarantee, with a copy of the

receipt to one of the GARDENA service centres listed on the rear page.

We expressly point out that, according to the product liability law, we are not liable for any damage caused by our units if,

in case of repair or exchange, other than original GARDENA parts are used and repair is not carried out by a GARDENA

service centre or an authorised specialist. The same also applies to spare parts and accessories.

8. Trouble-shooting

The following table contains the problems most frequently occurring and shows how to remedy them.

For any other problem please contact for safety reasons one of the GARDENA service

centres or an authorised specialist.

Problem	Possible cause	Remedy
Abnormal noise. Clattering in the unit.	Motor fixing screws or mower casing loose.	Tighten screws.
Whistling noise.	Foreign body blocking aerator cylinder.	Switch off aerator cylinder, disconnect mains plug, remove foreign body.
	V-belt slipping.	Contact GARDENA Service Centre.
Uneven running. Strong vibration of the unit.	Blade bar or blades damaged (imbalance). Blade bar fastening on motor shaft is loose.	Tighten the blade or blade bar screws. Contact GARDENA Service Centre.
	Defective cable.	Check power supply cable.
Motor does not start.	Cable cross section possibly too small.	Use cable with a cross section of at least 1.5 mm ² .
	Blocking by foreign matter. Overload protection has responded.	Switch off motor. Remove mains plug. Remove foreign matter. Let motor cool down for about 2 or 3 minutes and start your electric Hattrick lawn mower again.
Motor cuts out.	Cutting height is set too low. Overload protection has responded.	Make a first cut with the aerator cylinder switched off and a greater cutting height set.
	Rotary switch is in position »0«.	Set rotary switch to position »I«.
Aerator cylinder does not run.	V-belt defective.	Replace V-belt. Contact GARDENA Service Station.
	Blades are too blunt.	Replace or reverse the blades.
Lawn turns to yellow. Not a clean cut.	Cutting height is set too low.	Correct cutting height.

9. Advice for proper use / safety instructions

Checks before each operation

Inspect the unit before each use. Do not use the electric Hattrick lawn mower if safety devices (safety handle; safety cover) and/or the blade bar or the blades are damaged or worn. Never operate the unit with the safety devices bypassed or missing.

Inspect the area to be cut before beginning work. Remove any foreign objects (e.g. stones) from the area. Check the working area for foreign objects (e.g. stones) during work.

The blade bar and the blades must be checked regularly for damage and properly repaired if necessary.

The electric cable must be checked regularly for damage and signs of wear and tear.

Proper use / responsibility

This electric Hattrick lawn mower can cause serious injuries!

You are responsible for the safety of the working area.

Only use the electric Hattrick lawn mower for the purposes specified in these instructions.

Only work when visibility is good.

Familiarise yourself with the surroundings of your work-

ing area. Check for possible risks which might be not audible due to the noise of the machine.

Wear sturdy shoes and long trousers to protect your legs.

Keep fingers and feet away from the cutting tool and the aerator cylinder.

Make sure that there are no other people (especially children) or animals anywhere near the working area.

Ensure that you have a secure foothold when working. The cable should always be kept away from the cutting area.

Attention! Take extra care when walking backwards. You may stumble!

If, inspite of this, you contact any obstruction when cutting, turn off the electric Hattrick lawn mower and remove it. Check the unit for damage and have it repaired if necessary.

Interruptions of work

Never leave the electric Hattrick lawn mower unattended at the working area.

If you interrupt your work store the unit in a safe place. Disconnect the mains plug!

When you interrupt work in order to go to another working area, always switch off the electric Hattrick lawn mower during transport.

Check the environment

Never use the unit when it is raining or in damp or wet areas.

Do not operate your electric Hattrick lawn mower near swimming pools or garden ponds.

The electric Hattrick lawn mower must only be operated with undamaged electric cable. If the electric cable or the extension cable is damaged disconnect the mains plug immediately.

Please observe the prescribed local quiet times.

Electric safety

The socket of an extension cable should be water-proof or the connection sockets for extension cables must be made of rubber or be encased in rubber.

Only use permitted extension cables. Ask your electrician.

Attachment fittings must be used for extension cables.

For portable units, which are used outdoors, we recommend to use a residual-current device having a residual-current rating ≤ 30 mA.

In Switzerland use of a residual-current device is obligatory.

EU Certificate of Conformity

The undersigned

GARDENA Kress + Kastner GmbH · Hans-Lorenser-Str. 40 · D-89079 Ulm

hereby certifies that, when leaving our factory, the units indicated below are in accordance with the harmonised EU guidelines, EU standards of safety and product specific standards.

This certificate becomes void if the units are modified without our approval.

Description of the units:

Hattrick lawn mower

Types:

HE 32 / HE 36 / HE 40
MulchCut HE 36 / HE 40

Art. No.:

4002 / 4000 / 4001
4008 / 4009

EU directives:

Machinery Directive 98/37/EC
Electromagnetic Compatibility
89/336/EC
Low Voltage Directive 73/23/EC
Directive 93/68/EC
Directive 2000/14/EC

Harmonised European

standards:

EN 292-1
EN 292-2
EN 836
EN 60335-1
prEN 60335-2-77

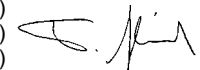
Noise level:

	measured / guaranteed
HE 32	85 / 85 dB (A)
HE 36	87 / 88 dB (A)
HE 40	88 / 89 dB (A)
MulchCut HE 36	89 / 89 dB (A)
MulchCut HE 40	90 / 91 dB (A)

Year of CE marking:

1996 (HE 36 / HE 40)
1997 (HE 32)
1998 (MulchCut HE 36 / HE 40)

Ulm, 16.10.2001



Thomas Heint
Technical director

D

Garantie

GARDENA gewährt für dieses Produkt die gesetzliche Garantie (ab Kaufdatum). Abweichend davon werden für das Kunststoffgehäuse 10 Jahre Garantie gewährt. Diese Garantieleistung bezieht sich auf alle wesentlichen Mängel des Gerätes, die nachweislich auf Material- oder Fabrikationsfehler zurückzuführen sind. Sie erfolgt durch die Ersatzlieferung eines einwandfreien Gerätes oder durch die kostenlose Reparatur des eingesandten Gerätes nach unserer Wahl, wenn folgende Voraussetzungen gewährleistet sind:

- Das Gerät wurde sachgemäß und laut den Empfehlungen in der Gebrauchsanweisung behandelt.
- Es wurde weder vom Käufer noch von einem Dritten versucht, das Gerät zu reparieren.
- Die Verschleißteile Dreiecksmesser (Hatrick) / Rechteckmesser (MulchCut) und Lüfterwalze sind von der Garantie ausgeschlossen.

Diese Hersteller-Garantie berührt die gegenüber dem Händler/Verkäufer bestehenden Gewährleistungsansprüche nicht.

Im Reklamationsfall schicken Sie bitte das defekte Gerät zusammen mit einer Kopie des Kaufbelegs und einer Fehlerbeschreibung frankiert an die auf der Rückseite angegebene Serviceadresse.

GB

Guarantee

GARDENA honours the guarantee legally required for this product (starting from the date of purchase). As an exception, we guarantee the plastic casing for 10 years. This guarantee covers all serious defects of the unit that can be proved to be material or manufacturing faults. Under warranty we will either replace

the unit or repair it free of charge if the following conditions apply:

- The unit must have been handled properly and in keeping with the requirements of the operating instructions.
- Neither the purchaser or a non-authorised third party have attempted to repair the unit.
- The triangular blades (Hatrick)/ rectangular blades (MulchCut) and the aerator cylinder are wearing parts and are not covered by the guarantee.

This manufacturer's guarantee does not affect the user's existing warranty claims against the dealer/seller.

In case of claim, please return the faulty unit together with a copy of the receipt and a description of the fault, with postage paid to one of the GARDENA Service Centres listed on the back of these operating instructions.

F

Garantie

GARDENA accorde pour cet appareil la garantie légale à compter du jour de l'achat. Le carter en polypropylène est, lui, garanti 10 ans. La garantie est assurée par le remplacement gratuit des pièces défectueuses ou de l'appareil. Le choix en étant laissé à la libre initiative de GARDENA. En tout état de cause s'applique la garantie légale couvrant toutes les conséquences des défauts ou vices cachés (article 1641 et suivants du Code Civil). Pour que ces garanties soient valables, les conditions suivantes doivent être remplies :

- L'appareil a été manipulé de manière adéquate, suivant les instructions du mode d'emploi.
- Il n'y a eu aucun essai de réparation, ni par le client, ni par un tiers.
- Les lames triangulaires (Hatrick) / lames rectangulaires (MulchCut) et le rouleau d'aération sont des pièces d'usure et sont par conséquent exclues de la garantie.

Une intervention sous garantie ne prolonge pas la durée initiale de la garantie contractuelle.

Toutes les revendications dépassant le contenu de ce texte ne sont pas couvertes par la garantie, quel que soit le motif de droit.

Pendant la période de garantie, le Service Après-Vente et les Centres SAV agréés effectueront, à titre payant, les réparations nécessaires par suite de manipulations erronées.

En cas de réclamation, veuillez envoyer le produit en port payé avec le bon d'achat et une description du problème, à l'adresse du Service Après-Vente figurant au verso.

NL

Garantie

GARDENA geeft op dit product de wettelijke garantie (vanaf de aankoopdatum). Op het kunststof maaihuis is echter een garantie van 10 jaar van toepassing. Deze garantie heeft betrekking op alle wezenlijke defecten aan het toestel, die aanwijsbaar op materiaal- of fabricagefouten berusten. Garantie vindt plaats door de levering van een vervangend apparaat of door de gratis reparatie van het ingestuurde apparaat, naar onze keuze, indien aan de volgende voorwaarden is voldaan:

- Het apparaat werd vakkundig en volgens de adviezen in de gebruiksaanwijzing behandeld.
- Noch de koper, noch een derde persoon heeft getracht het apparaat te repareren.
- De aan slijtage onderhevige driehoeksmessen (Hatrick) / rechthoeksmessen (Hatrick-mulchmaaier) en de verticuteerrol vallen niet onder de garantie.

Deze garantie van de producent heeft geen betrekking op de ten aanzien van de handelaar/verkoper bestaande aansprakelijkheid.

Deutschland

GARDENA Kress + Kastner GmbH
GARDENA Service
Hans-Lorenser-Straße 40
D-89079 Ulm
Produktfragen: (07 31) 490-123
Reparaturen: (07 31) 490-290

Argentina

Argensem S.A.
Venezuela 1075
(1618) El Talar - Buenos Aires

Australia

NYLEX Corporation Ltd.
25-29 Nepean Highway
P.O. Box 68
Mentone, Victoria 3194

Austria

GARDENA Österreich Ges. m.b.H.
Stettnerweg 11-15
2100 Korneuburg

Belgium

MARKT (Belgium) NV/SA
Sterrebeekstraat 163
1930 Zaventem

Brazil

M. Cassab
Av. das Nações Unidas, 20.882
Santo Amaro, CEP 04795-000
São Paulo - S.P.

Bulgaria / България

ДЕНЕКС ООД
бул. „Черни връх“ 43
София 1407

Canada

GARDENA Canada Ltd.
100, Summerlea Road
Brampton, Ontario
Canada L6T 4X3

Chile

Antonio Martinic Y CIA. LTDA.
Gilberto Fuenzalida 185 Loc.
Las Condes - Santiago de Chile

Costa Rica

Compania Exim
Euroiberoamericana S.A.
350 Sur del Automercado
Los Yoses
San Pedro

Cyprus

FARMOKIPIKI LTD
P.O. Box 7098
74, Digeni Akrita Ave.
1641 Nicosia

Czech Republic

GARDENA spol. s.r.o.
Ripská 20
62700 Brno

Denmark

GARDENA Danmark A/S
Naverland 8
2600 Glostrup

Finland

Habitec Oy
Martinkyläntie 52
01720 Vantaa

France

GARDENA France
Service Après-Vente
BP 50080
95948 ROISSY CDG Cedex

Great Britain

GARDENA UK Ltd.
27-28 Brenkley Way
Blezard Business Park
Seaton Burn
Newcastle upon Tyne
NE13 6DS

Greece

Agrokip G. Psomadopoulos & Co.
20, Lykourgou str.
Kallithea - Athens

Hungary

GARDENA Magyarország Kft.
Késmárk utca 22
1158 Budapest

Iceland

Heimilistaeki hf
Saetun 8
P.O. Box 5340
125 Reykjavik

Republic of Ireland

Michael McLoughlin & Sons
Hardware Limited
Long Mile Road
Dublin 12

Italy

GARDENA Italia S.r.l.
Via Donizetti 22
20020 Lainate (Mi)

Japan

KAKUDAI Mfg. Co. Ltd.
1-4-4, Itachibori Nishi-ku
Osaka 550

Luxembourg

Magasins Jules Neuberg
Grand Rue 30
Case Postale No. 12
Luxembourg 2010

Netherlands

MARKT (Holland) BV
Postbus 219
1380 AE Weesp

Neth. Antilles

Jonka Enterprises N.V.
Sta. Rosa Weg 196
P.O. Box 8200
Curaçao

New Zealand

NYLEX New Zealand Limited
Private Bag 94001
South Auckland Mail Centre
10 Offenhauser Drive
East Tamaki, Manukau

Norway

GARDENA Norge A/S
Postboks 214
2013 Skjetten

Poland

GARDENA Polska Sp. z o.o.
Szymanów 9 d
05-532 Baniocha

Portugal

MARKT (Portugal), Lda.
Recta da Granja do Marquês
Edif. GARDENA
Algueirão
2725-596 Mem Martins

Russia / Россия

АО АМИДА ТТЦ
ул. Мосфильмовская 66
117330 Москва

Singapore

Variware
Holland Road Shopping Centre
227-A 1st Fl., Unit 29
Holland Avenue
Singapore 1027

Slovenia / Croatia

Silk d.o.o. Trgovina
Brodišče 15
1236 Trzin

South Africa

GARDENA South Africa (Pty.) Ltd.
P.O. Box 11534
Vorna Valley 1686

Spain

ANMI Andreu y Miriam S.A.
Calle Pere IV, 111
08018 Barcelona

Sweden

GARDENA Svenska AB
Box 9003
20039 Malmö

Switzerland

GARDENA Kress + Kastner AG
Bitziberg 1
8184 Bachenbülach

Ukraine / Украина

АОЗТ АЛЬЦЕСТ
ул. Гайдара 50
г. Киев 01033

Turkey

Dost Diş Ticaret Mümessilik A.Ş.
Yeşilbağlar Mah. Başkent
Cad. No. 26
Pendik - İstanbul

USA

GARDENA
3085 Shawnee Drive
Winchester, VA 22604

4000-20.960.07/0011
GARDENA Kress + Kastner GmbH
Postfach 27 47, D-89070 Ulm
<http://www.gardena.de>

11296

Free Manuals Download Website

<http://myh66.com>

<http://usermanuals.us>

<http://www.somanuals.com>

<http://www.4manuals.cc>

<http://www.manual-lib.com>

<http://www.404manual.com>

<http://www.luxmanual.com>

<http://aubethermostatmanual.com>

Golf course search by state

<http://golfingnear.com>

Email search by domain

<http://emailbydomain.com>

Auto manuals search

<http://auto.somanuals.com>

TV manuals search

<http://tv.somanuals.com>