

# INSTALLATION INSTRUCTIONS

## Product

7160-0046 VEHICLE BASE  
FORD EXPEDITION (2007+)

## Revision

Rev C

## Form #

INST-370

Printing Spec: PS-001



- **You must read and follow all of the installation instructions. Failure to follow all of the installation instructions may result in serious bodily injury or death.**
  - **Do not install or use the vehicle base in the area in which the airbag on the vehicle may be deployed if it is activated. The installer and user of the Ford Expedition Vehicle Base are responsible for installing and using the mounting system outside the area in which an airbag may be deployed if activated. (See Product Mounting Disclaimer Below)**
  - **Keep these installation instructions with the product and readily available in the vehicle for future reference of other users of the product.**
  - **Additional copies of the installation instructions can be obtained from Gamber-Johnson.**
- If you need assistance or have any questions, call Gamber-Johnson at 1-800-456-6868.**
- **Do not remove warning label from product under any circumstances.**

Mounting Base in vehicle with Bucket Seats: (See figure 1)

1. Begin by removing the front seatbolts of the front passenger's seat. Also, loosen the rear seat bolts on the same seat. It is not necessary to remove the rear seat bolts, just back them out enough to be able to tilt the seat backwards.
2. Tilt the passenger's seat backwards. Slide the vehicle base underneath the seat frame legs. Notice the square dimples in each of the front legs of the seat frame. Align the base so that the dimples on the seat frame legs rest inside the square cut-outs of the base.
3. Insert and tighten the front seat bolts. Tighten the rear seat bolts. This completes the main installation of the Ford Expedition Vehicle Base. Add a lower pole, upper pole, motion attachment and docking solution as needed.
4. It is highly recommended to use a Support Brace (Gamber-Johnson p/n LAC-02 W/U-DS) connected to the lower pole to minimize vibration in the assembly.

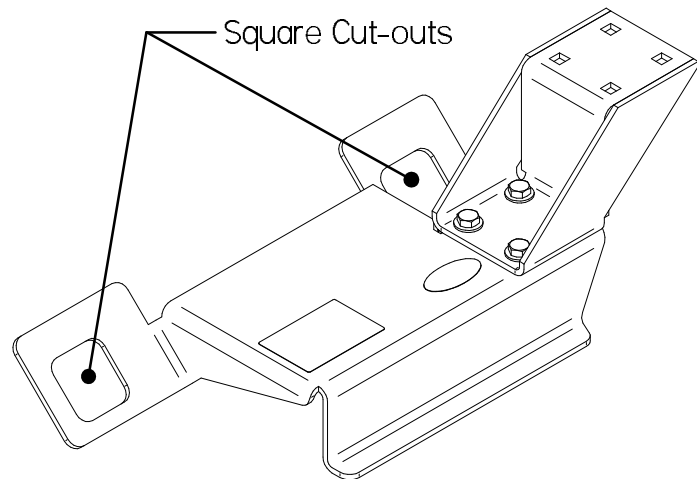


FIG. 1  
Ford Expedition Vehicle Base - Bucket Seats

### Product Mounting Disclaimer

Gamber-Johnson is not liable under any theory of contract or tort law for any loss, damage, personal injury, special, incidental or consequential damages for personal injury or other damage of any nature arising directly or indirectly as a result of the improper installation or use of its products in vehicle or any other application. In order to safely install and use Gamber-Johnson products full consideration of vehicle occupants, vehicle systems (i.e., the location of fuel lines, brakes lines, electrical, drive train or other systems), air-bags and other safety equipment is required. Gamber-Johnson specifically disclaims any responsibility for the improper use or installation of its products not consistent with the original vehicle manufactures specifications and recommendations, Gamber-Johnson product instruction sheets, or workmanship standards as endorsed through the Gamber-Johnson Certified Installer Program.

© copyright 2012 Gamber-Johnson, LLC

If you need assistance or have questions, call Gamber-Johnson at 1-800-456-6868

## Mounting Base in vehicle with Bench Seats: (See figure 2)

1. Begin by removing the front seat bolt from the passenger side of the seat. While lifting the front of the seat, slide the leg of the Vehicle Base under the passenger seat mounting bracket. When the outer leg of the Vehicle Base is centered under the passenger seat mounting bracket, let the seat settle back into place. The leg of the seat bracket has a square dimple where the seat bolt passes through. Align the Vehicle Base so the dimple on the seat frame leg rests inside the square cut-out of the outer leg of the Vehicle Base.

2. Most Ford vehicle floorpans (when used with a bench seat) have a hole in the floor with a welded nut on the underside of the vehicle. This hole is usually covered with a plastic plug. (If there is no hole previously placed in the floorpan from the factory, you must drill a hole.)

3. Cut a small hole in the floor covering and remove the plastic plug.

4. From the hardware bag, place the small square spacer into the square cut-out of the inner leg of the Vehicle Base. Align the hole in the spacer with the hole in the floor.

5. Place the large square washer over the square spacer and cut-out. Using the M12 x 40mm bolt supplied in the hardware bag, fasten the Vehicle Base in place. (If you had to drill a hole thru the floorpan, you will need to supply and install a fender washer and lock nut, on the underside of the vehicle.)

6. Fasten the passenger seat and the outer leg of the Vehicle Base with the seat bolt removed in step 1. Add lower pole, upper pole, motion attachment and docking solution as needed.

7. It is highly recommended to use a Support Brace (Gamber-Johnson p/n LAC-02 W/U-DS) connected to the lower pole to minimize vibration in the assembly.

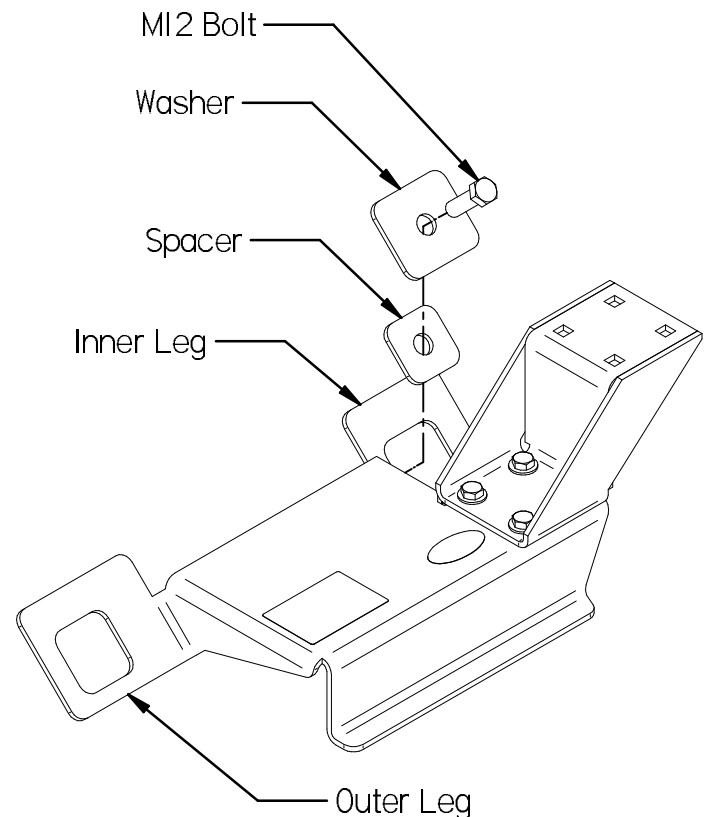


FIG. 2  
Ford Expedition Vehicle Base - Bench Seats



- **The components added to the 2007 Ford Expedition Vehicle Base should not be positioned in the area where the airbag may be deployed if it is activated.**
- **DO NOT position the equipment in front of an airbag. Equipment positioned in front of an airbag may cause serious injury or death if an airbag is activated.**
- **If installation of the equipment requires that the equipment be placed in front of an airbag, the airbag should be deactivated. In order to secure permission for deactivating the airbag you must contact the National Highway Traffic Safety Administration at 1-800-424-9393. If you have any questions or need assistance, call Gamber-Johnson at 1-800-456-6868.**
- **High speed vehicle turns may cause the moving parts of the assembly to swivel, interfering with the driver or other equipment.**

## Free Manuals Download Website

<http://myh66.com>

<http://usermanuals.us>

<http://www.somanuals.com>

<http://www.4manuals.cc>

<http://www.manual-lib.com>

<http://www.404manual.com>

<http://www.luxmanual.com>

<http://aubethermostatmanual.com>

Golf course search by state

<http://golfingnear.com>

Email search by domain

<http://emailbydomain.com>

Auto manuals search

<http://auto.somanuals.com>

TV manuals search

<http://tv.somanuals.com>