



Very Well Connected™

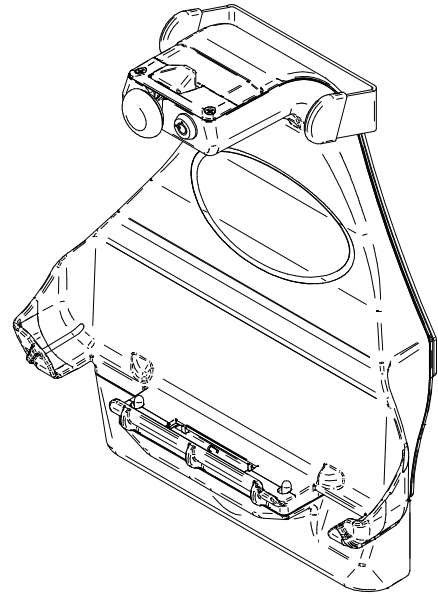
INSTALLATION INSTRUCTIONS

<u>Product</u>	<u>Revision</u>	<u>Form</u>
Panasonic CFH2 Vehicle Docking Station 7160-0348	Rev. D	INST-548 Printing Spec: PS-001

This instruction sheet is for the Gamber-Johnson Panasonic Toughbook CFH2 Vehicle Docking Station

**Gamber-Johnson Part Numbers: 7160-0348 (-P)
7160-0248-01 (-P)**

**These instructions are for the docking station only. For instructions on features, set-up and operation of the Toughbook CFH2 computer, please refer to the manuals provided by Panasonic with the computer.*



IMPORTANT SAFETY INFORMATION for INSTALLERS

Safety is dependent on the proper installation and servicing of this docking station. It is important to read and follow all instructions before installing this product.

To properly install a Gamber-Johnson docking station you must have a good understanding of electrical procedures and systems, along with proficiency in the installation and service of electrical and/or computer equipment.

There are no adjustments required at any time of the electrical components within the docking station. ***Opening the docking station housing will void the product warranty.***

Panasonic recommends using a Lind Auto Adapter to power the docking station. It can be ordered from Gamber-Johnson (Item No. 11798)

Keep foreign objects away from the Expansion Bus on the docking station.

Product Mounting Disclaimer

Gamber-Johnson is not liable under any theory of contract or tort law for any loss, damage, personal injury, special, incidental or consequential damages for personal injury or other damage of any nature arising directly or indirectly as a result of the improper installation or use of its products in vehicle or any other application. In order to safely install and use Gamber-Johnson products full consideration of vehicle occupants, vehicle systems (i.e., the location of fuel lines, brakes lines, electrical, drive train or other systems), air-bags and other safety equipment is required. Gamber-Johnson specifically disclaims any responsibility for the improper use or installation of its products not consistent with the original vehicle manufactures specifications and recommendations, Gamber-Johnson product instruction sheets, or workmanship standards as endorsed through the Gamber-Johnson Certified Installer Program.

© copyright 2011 Gamber-Johnson, LLC

If you need assistance or have questions, call Gamber-Johnson at 1-800-456-6868

Components

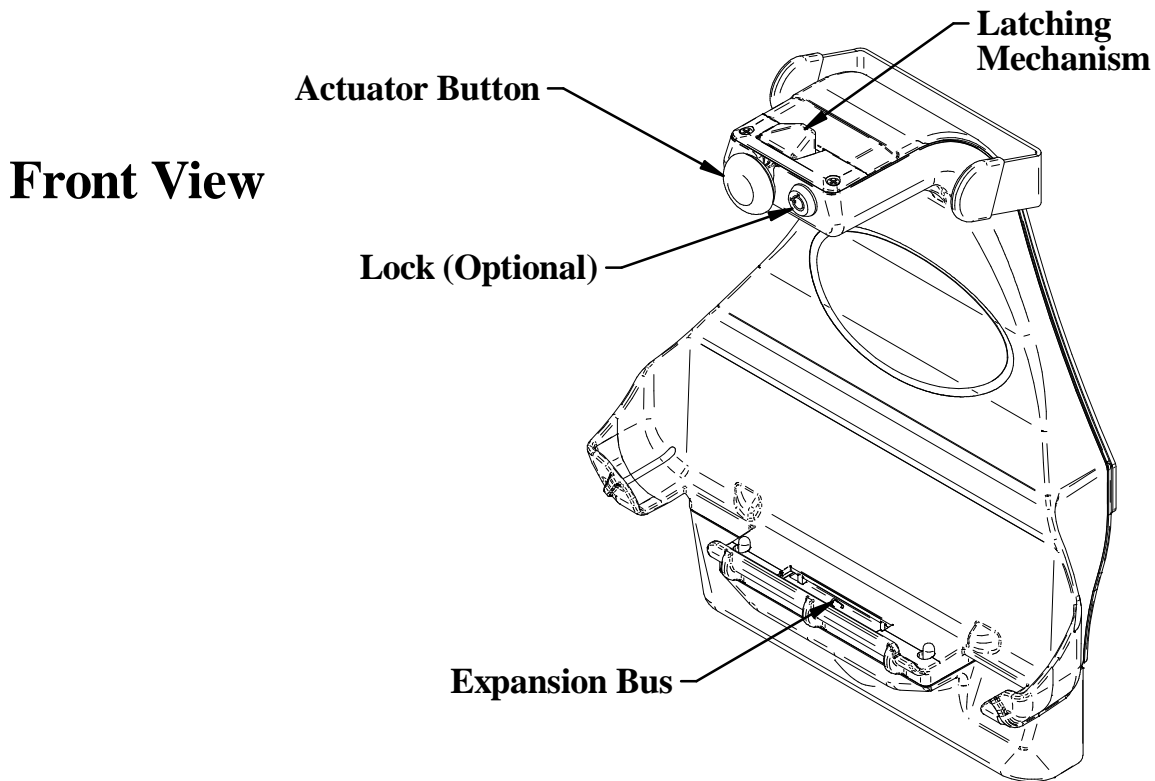


FIG. A

Bottom View

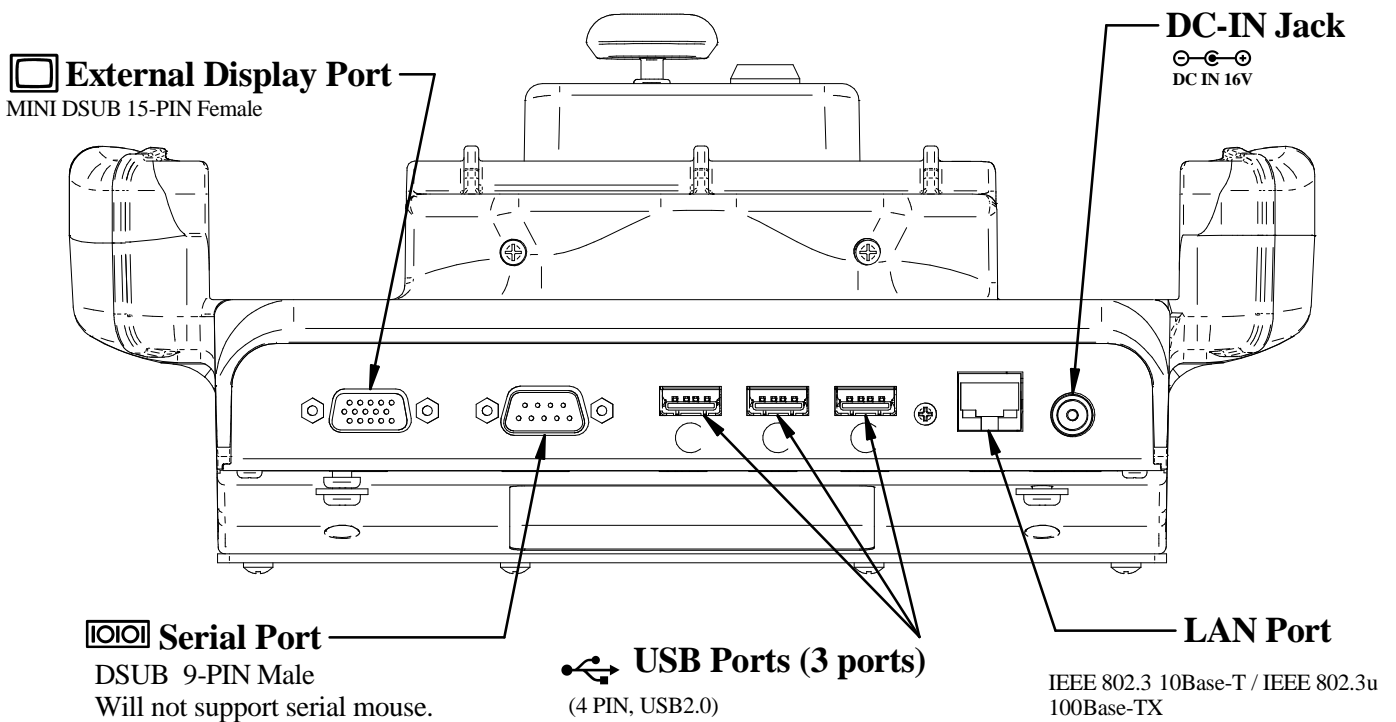


FIG. B

Installation Recommendations

Conduct a "Bench Test"

Gamber-Johnson strongly advises a "bench test" be conducted to verify that all electronic and software issues are resolved prior to installation:

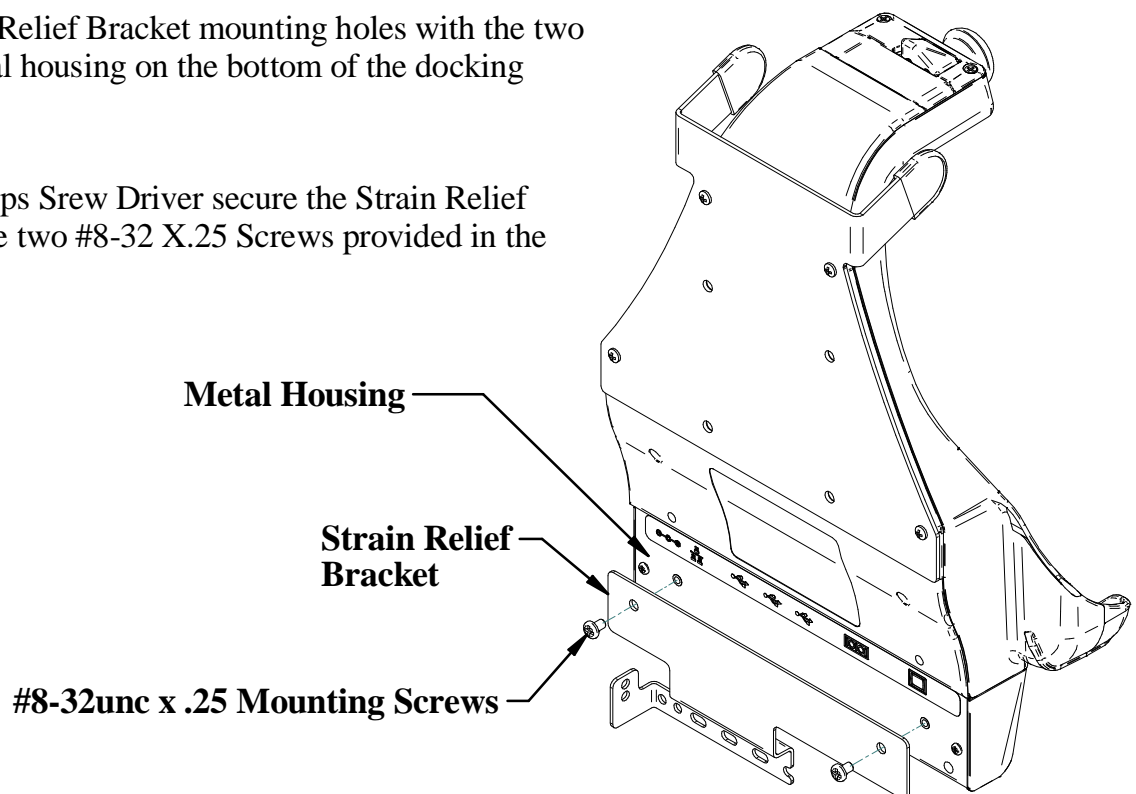
1. Make sure computer is operational by itself.
2. Insert computer into docking station and verify that the display is operating in the dock.
3. Interconnect entire assembly and verify start-up of all components, including other equipment (printers, modems, scanners, etc.).

Attaching Strain Relief Bracket

A cable Strain Relief Bracket is provided in the hardware bag. This bracket will provide a mounting platform to secure all interface cables.

1. Lay docking station on its front face to expose rear mounting surface
2. Align the Strain Relief Bracket mounting holes with the two holes in the metal housing on the bottom of the docking station (FIG C).
3. Using a #2 Phillips Srew Driver secure the Strain Relief Bracket using the two #8-32 X.25 Screws provided in the hardware bag.

FIG. C



Mounting

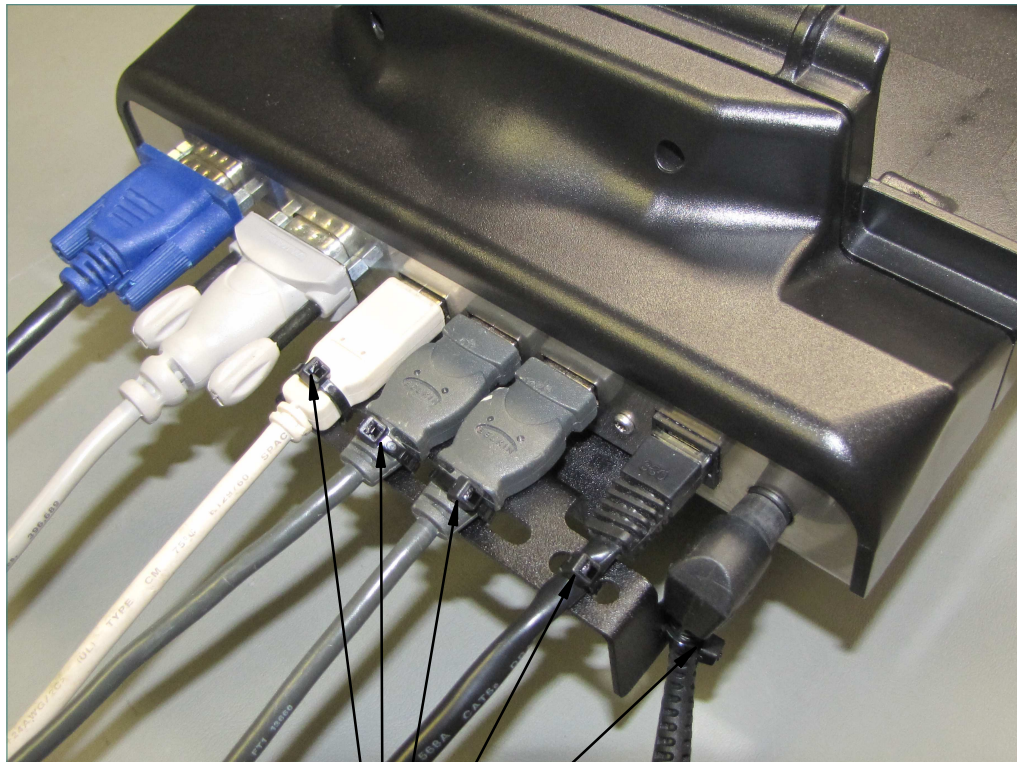
The docking station can be mounted to any 75mm VESA hole pattern, or to the following Gamber-Johnson products:

- VESA Adaptor Bracket (7160-0206)
- Wall Mount Bracket (7160-0195)

Connecting Peripherals

Restrain the power, ethernet, and USB cables to the strain relief bracket with the cable ties provided as shown below. The video and serial cables have jack screws to hold them in place. **To assure compliance with FCC, Part 15, Class B rules, only use shielded interface cables when connecting peripherals.**

FIG. D



Cable Ties

Inserting Computer Into Docking Station

CAUTION:

Turn computer power OFF when inserting and removing computer from docking station

1. Turn computer power OFF.
2. Insert bottom of computer into docking station (FIG G).
3. Push the top of computer back into the docking station until an audible "click" is heard and the computer is secured by the Latching Mechanism (FIG H).
4. (Optional) The Key Lock can now be used for security purposes.



FIG. G



FIG. H

Removing Computer From Docking Station

1. Turn computer power OFF.
2. If docking station is locked, unlock using the key provided.
3. Grasp the computer handle and press the Actuator Button in and down with the palm of your hand. (FIG I).
4. Pull the computer towards you to remove from docking station (FIG J).



Actuator Button

FIG. I



FIG. J

Product Mounting Disclaimer

Gamber-Johnson is not liable under any theory of contract or tort law for any loss, damage, personal injury, special, incidental or consequential damages for personal injury or other damage of any nature arising directly or indirectly as a result of the improper installation or use of its products in vehicle or any other application. In order to safely install and use Gamber-Johnson products full consideration of vehicle occupants, vehicle systems (i.e., the location of fuel lines, brakes lines, electrical, drive train or other systems), air-bags and other safety equipment is required. Gamber-Johnson specifically disclaims any responsibility for the improper use or installation of its products not consistent with the original vehicle manufactures specifications and recommendations, Gamber-Johnson product instruction sheets, or workmanship standards as endorsed through the Gamber-Johnson Certified Installer Program.

© copyright 2009 Gamber-Johnson, LLC

Free Manuals Download Website

<http://myh66.com>

<http://usermanuals.us>

<http://www.somanuals.com>

<http://www.4manuals.cc>

<http://www.manual-lib.com>

<http://www.404manual.com>

<http://www.luxmanual.com>

<http://aubethermostatmanual.com>

Golf course search by state

<http://golfingnear.com>

Email search by domain

<http://emailbydomain.com>

Auto manuals search

<http://auto.somanuals.com>

TV manuals search

<http://tv.somanuals.com>