



Microwave

CPBM189KF

30" Over-The-Range



Product Dimensions

Height	17-1/16"
Width	29-29/32"
Depth	16-3/4"

More Easy-To-Use Features

One-Touch Keep Warm Setting

Keep food warm until everything—and everyone—is ready.

Real Stainless Steel

Real stainless steel with a protective coating that reduces fingerprints and smudges so it's easy to clean.

Sensor Cooking

Microwave automatically adjusts power levels and cooking times to perfectly cook a variety of items, effortlessly.

One-Touch Add 30 Seconds

Available in:



Stainless
(F)

Signature Features



Effortless™ Reheat

Reheat almost anything at the touch of a button.



SpaceWise® Rack

Our SpaceWise® Rack creates more room so you can cook two dishes at once.



Over 40 Options

Versatile settings include: chicken nuggets, soften ice cream, melt butter and multiple snack options.

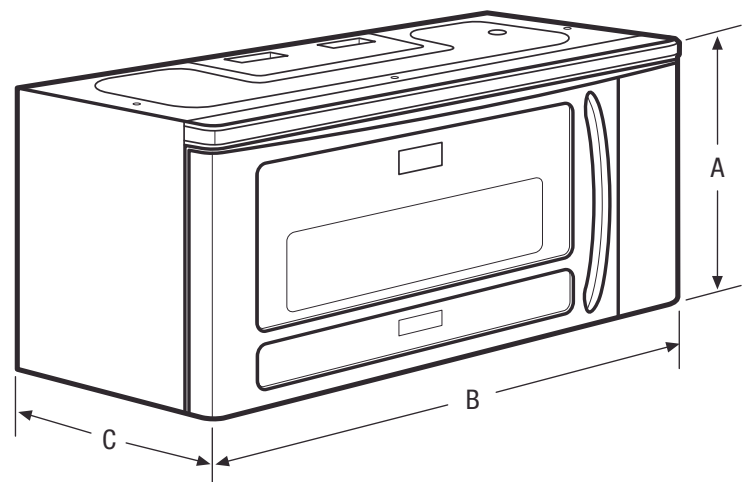


One-Touch Options

Our microwaves feature easy-to-use one-touch buttons so you can cook chicken nuggets, baked potatoes or popcorn with the touch of a button.

Features	
Control/Timing System	Express-Select®
Exterior Door Finish	Real Stainless Steel (F)
Handle Design	Stainless Steel
Microwave Capacity (Cu. Ft.)	1.8
Convection	
Watts (IEC-705 Test Procedure)	1,000
Interior Light	Yes
Interior Colour	White
Turntable Diameter	14"
Turntable On/Off	Yes
Control Lock	Yes
Clock	Yes
Touch Pad Buttons	31
Power Levels	High (1-9)
Accessory Metal Rack	Yes (1)
Microwave Control Options	
Popcorn Button	Yes
Chicken Nugget Button	Yes
Baked Potato Button	Yes
Sensor Reheat Button	Yes
Snack Button	Yes
Beverage	Yes
Melt & Soften Options	4
Auto Reheat Options	4
Snack Menu Options	6
Auto Cook Options	9
Auto Defrost Options	6
Multi-Stage Cooking Option	Yes
Keep Warm	Yes
Add-30-Seconds	Yes
Sensor Cooking Options	5
Vegetable Cook Sensor	Yes
Delay Start	
User Preferences	Yes
Ventilation System	
Ducted/Ductless Installation Option	Yes
Exhaust Fan (CFM)	2-Speed 150/350
Cooktop Light	2
Auto-Start Heat Sensor	Yes
Dishwasher-Safe Vent Filter (Ductless Installation)	Yes
Power Ratings	
Frequency (MHz)	2,450
Watts @ 120 Volts	1,650
Amps @ 120 Volts	14.3
Optional Accessories	
36" Stainless Steel Filler Panel Kit	PN # MWFILKTSS
Specifications	
Oven Interior (HxWxD)	10-1/16"x 22-17/32"x14-31/32"
Power Supply Connection Location	Right Top Rear
Voltage Rating	120V/60Hz/15A
Connected Load (kW Rating) @ 120 Volts ¹	1.65
Minimum Circuit Required (Amps)	15
Shipping Weight (Approx.)	69 Lbs.

¹For use on adequately wired 120V, dedicated circuit having 2-wire service with a separate ground wire. Appliance must be grounded for safe operation.



NOTE: For planning purposes only. Always consult local and national electric codes. Refer to Product Installation Guide for detailed installation instructions on the web at frigidaire.ca.

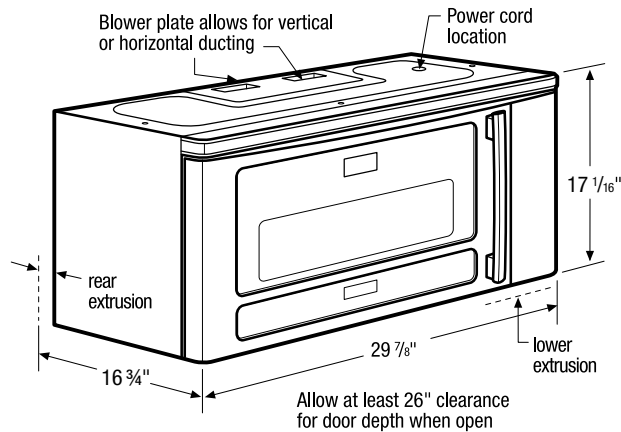
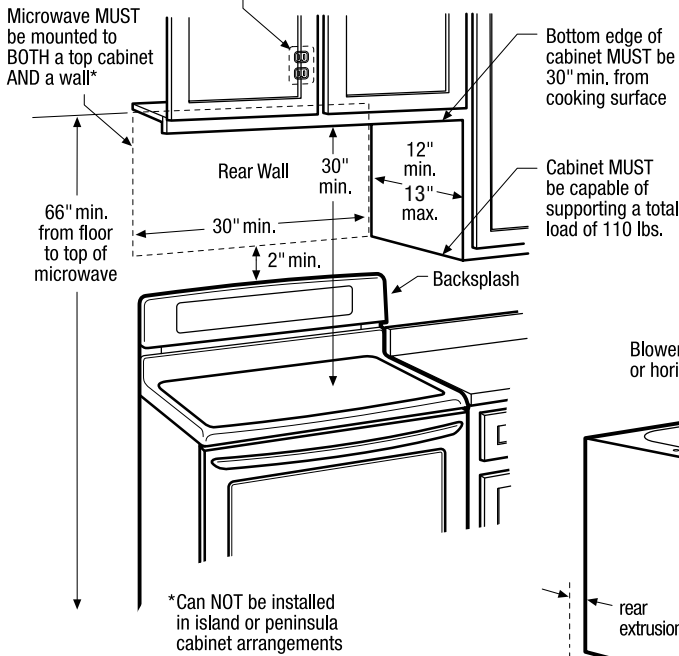


Product Dimensions	
A - Height	17-1/16"
B - Width	29-29/32"
C - Depth	16-3/4"

Cutout Dimensions	
Height (Min. from floor to top of unit)	66"
Width (Min.)	30"
Depth (Min.)	12"
Depth (Max.)	13"

Accessories information available on the web at frigidaire.ca

Locate 120V/60Hz grounded outlet inside upper cabinet



Microwave Specifications

- Product Shipping Weight (approx.) - 69 Lbs.
- Voltage Rating - 120V/60 Hz/15 Amps
- Connected Load (kW Rating) @ 120 Volts = 1.65kW (For use on adequately wired 120V, dedicated circuit having 2-wire service with a separate ground wire. Appliance must be grounded for safe operation.)
- Amps @ 120 Volts = 14.3 Amps
- Always consult local and national electric codes.
- Grounded outlet should be located in cabinet above, with hole in base to route power cord. Carefully follow top template instructions for power cord clearance when installing beneath smooth, flat cabinets.
- Microwave's exhaust ventilation system is preset to recirculate air inside with no ducting system required. Exhausting air outside is optional, using either vertical or horizontal ducting system. (Refer to Ducted Option Specifications for outside ventilation.)
- For safe and proper installation, microwave MUST be mounted to BOTH a top cabinet AND a wall, and connected to at least one wall stud. Can NOT be installed in island or peninsula cabinet arrangements.
- Cabinet bottom MUST be level to insure proper installation.
- Cabinet MUST be capable of supporting a total load of 110 lbs.
- Filler blocks recommended for installation when cabinet front hangs below recessed bottom shelf.
- Minimum distance of 30" required from cooking surface to bottom edge of top cabinet.
- Minimum distance of 66" required from floor to top of microwave.
- Opening between cabinets MUST be 30" wide and free of obstructions. For openings up to 36" wide, order optional 36" Filler Panel Kit to fill in gap between unit and cabinets.
- Allow 26" minimum clearance for 90° door swing.

Ducted Option Specifications

- For outside ventilation.
- Exhaust duct adapter will be needed for outside ventilation, to mate with standard 3-1/4" x 10" rectangular duct. If round duct required, rectangular-to-round transition adapter will be needed with no less than 6" diameter.
- For most efficient airflow exhaust, use a straight run or as few elbows as possible with a maximum duct length of 3-1/4" x 10" rectangular or 6" diameter round duct, not to exceed 140 equivalent feet.
- For horizontal installation, be sure to allow enough space between wall studs to accommodate exhaust.
- Refer to installation instructions on web for detailed duct preparation and converting exhaust vent blower system for exterior exhaust ventilation.

Note: For planning purposes only. Refer to Product Installation Guide on the web at frigidaire.ca for detailed instructions.

Optional Accessories

- 36" Stainless Steel Filler Panel Kit - (PN # MWFILKTSS).

Accessories information available on the web at frigidaire.ca



Free Manuals Download Website

<http://myh66.com>

<http://usermanuals.us>

<http://www.somanuals.com>

<http://www.4manuals.cc>

<http://www.manual-lib.com>

<http://www.404manual.com>

<http://www.luxmanual.com>

<http://aubethermostatmanual.com>

Golf course search by state

<http://golfingnear.com>

Email search by domain

<http://emailbydomain.com>

Auto manuals search

<http://auto.somanuals.com>

TV manuals search

<http://tv.somanuals.com>