

# *Frigidaire*

## Factory Parts Catalog

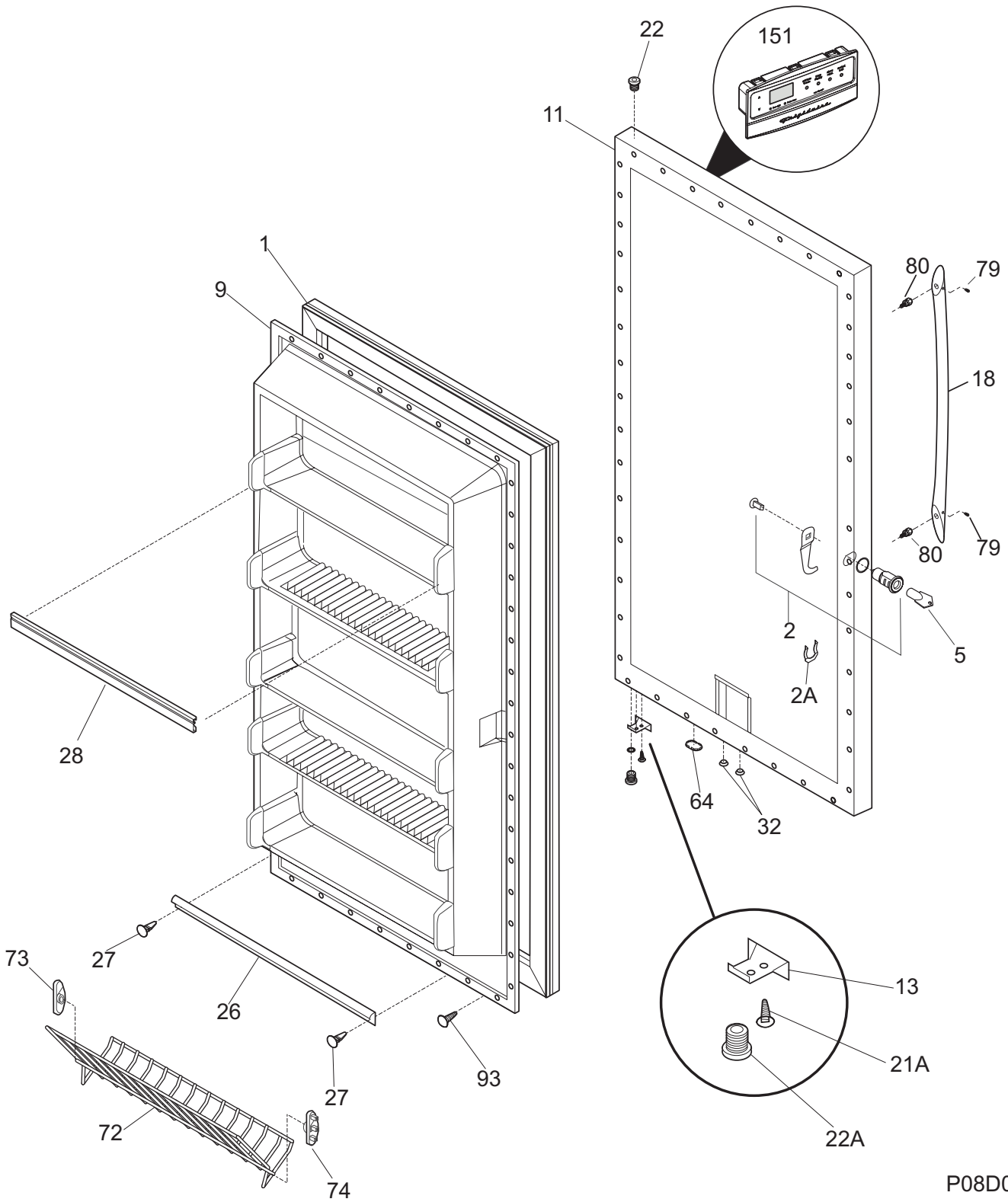
Product No.	FFU14F7HBB
Series	Precision
Color	black
Volts	115
Wiring Diagram	297246001
Owner's Guide	297245700
Market	North America
Energy Guide	216795318

### UPRIGHT FREEZER

Model No.  
FFU14F7HBB

Publication No.  
**5995515342**  
08/05/23  
(EN/SERVICE/MLR)  
365

DOOR



P08D0567

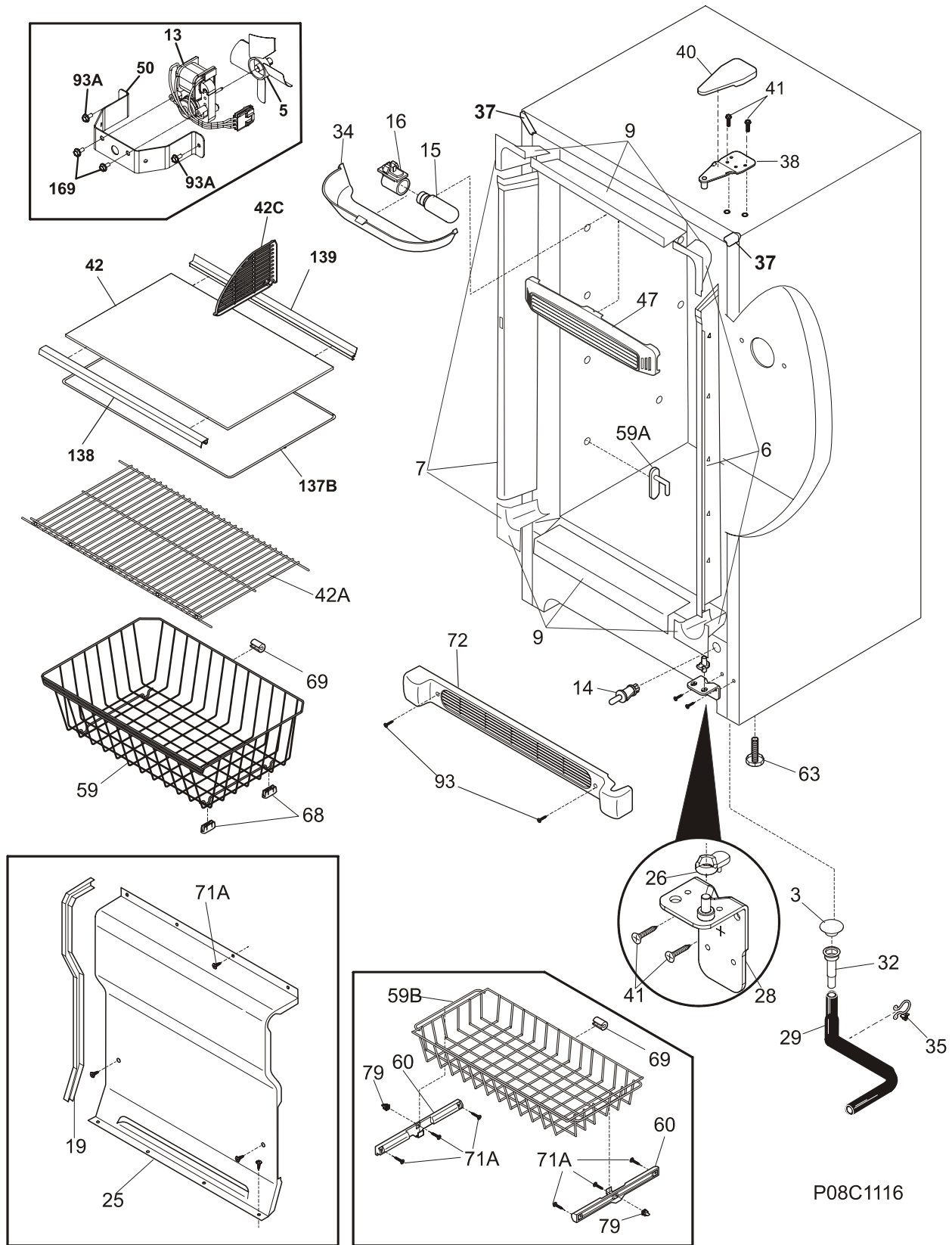
---

**DOOR**


---

POS. NO	PART NO.	DESCRIPTION
1	216522307	Gasket-door, black
2 #	297213400	Lock Assy
2A	297213300	Clip, spring
5	297147700	Key, lock
9	216527615	Panel-inner door, frzr
11	297236008	Panel-outer door, black
13	297257000	Door Stop, chrome, RH/LH
18	297031801	Handle, upright, black, w/set screw
*	240537301	Nut-anchor, door hdl screw
21A	297197500	Screw, door stop mtg, FH38-16X.750, P Twin
22	216970800	Bearing, hinge w/o'ring, top
22A	297006800	Bearing-hinge, btm, w/o'ring
26	216524300	Gasket, secondary
27	5303212828	Clip, panel mtg
27*	5304406520	Clip, panel mtg kit, (40)
28	216951601	Rack-door, (4)
32	5309950074	Valve, breather
64	216403700	Plug-button, hole filler, door base
72	297118101	Shelf, tilt out, tall, wire
73	216513900	End Cap, shelf, LH, tilt-out
74	216514000	End Cap, shelf, RH, tilt-out
79	218755404	Screw-set, 10-32 x 1.100
80	218755504	Screw-shoulder, #10 AB, handle mounting
93	5304460605	Screw, ph truss head, 8-18AB x 0.500
151#	297241901	Control-electronic, assy, black, 115V

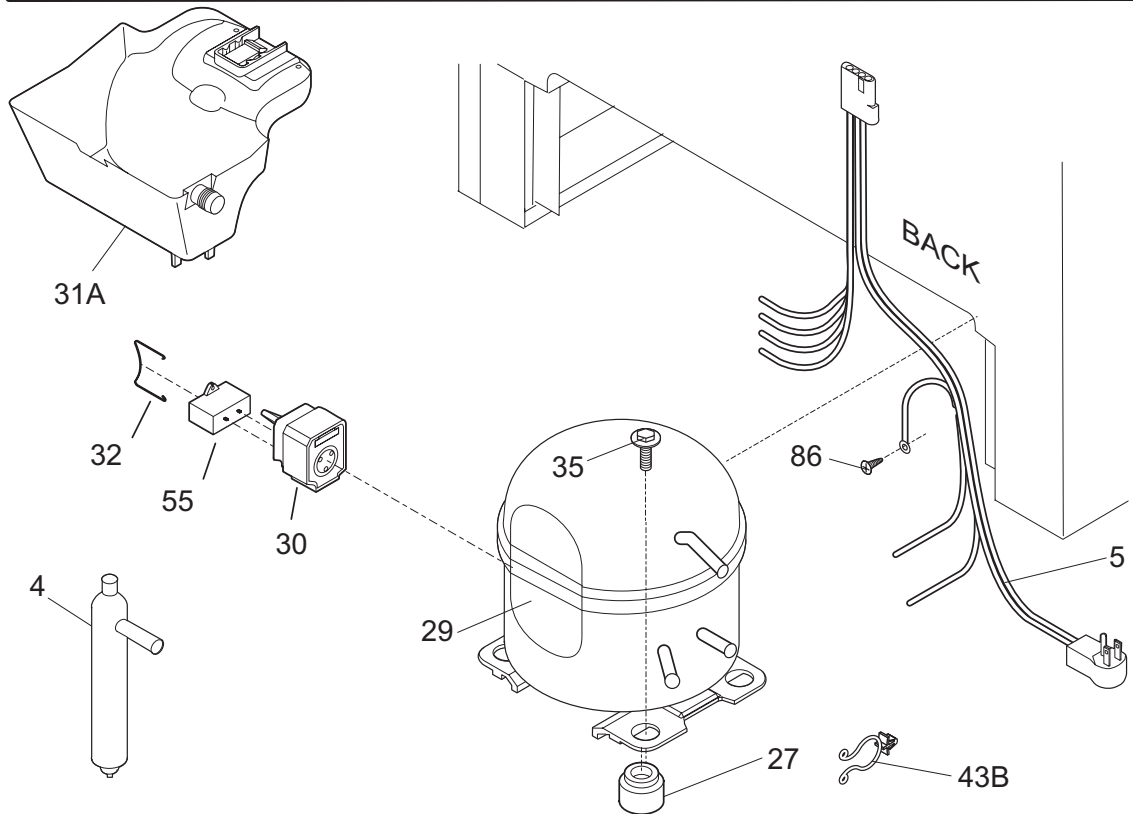
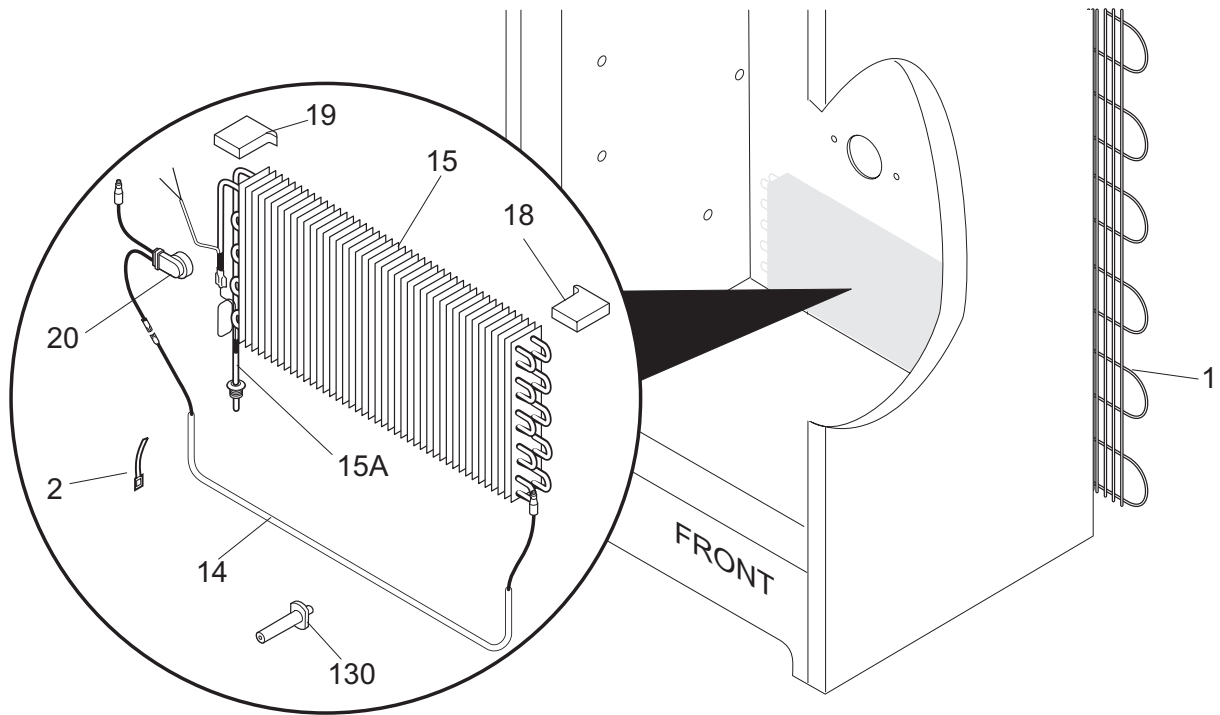
### CABINET



**CABINET**

POS. NO	PART NO.	DESCRIPTION
3	216503100	Screen-drain
5 #	216325600	Fan Blade
6	297200300	Breaker Kit w/corners, no lock slot
7	297200500	Breaker Kit w/corners, incl lock catch
9	297200200	Breaker Kit w/corners, 28", top and bottom
13	216934100	Motor, fan, 115 V
14	297243801	Switch, light/lamp, black, plunger
15	216988100	Light Bulb/Lamp, long, blue tint, 40 W, 120V
16	216817601	Socket, light/lamp, 25 W
19	216204900	Gasket, evap cover
25	297098651	Cover-evaporator
26	216503300	Ramp, door closer
28	297240800	Hinge-bottom, stepped pin
29	216313504	Hose-drain
32	5308005500	Drain
34	297184400	Shield-light
35	216273000	Clip, drain hose
37	241611303	Trim-cabinet corner, black, (2)
38	297164300	Hinge-upper
40	297164401	Cover-upper hinge, black
41	297236200	Screw, tamper proof, 1/4-20 x 5/8
42	297166803	Glass-shelf
42A	297119900	Shelf, 14.50 X 23.88, white
*	216502400	Grommet-shelf mtg
42C	297183802	Divider, blue, glass shelf
47	297192902	Baffle, air, blue
50	216394050	Bracket, fan motor mount
59	297210700	Basket
59A	216486500	Stop-basket, (2)
59B	297209800	Basket
60	297013500	Slide, basket
63	216396900	Screw, leveling foot, plastic, adjustable
68	08009560	Glide-basket, (4)
69	5305878546	Bumper-basket, (4)
71A	297146800	Screw, 8-18AB x 0.470, EVAP PANEL
72	297199001	Grille/Kickplate, 28", black
79	3017666	Nut-insert
93	5304460605	Screw, ph truss head, 8-18AB x 0.500
93A	216629601	Screw, hex washer head, 10-16 x 0.500, tapping
137B	297166903	Frame
138	297232302	Trim-shelf, front
139	297232202	Trim-shelf, rear
169	216912401	Screw, hex washer head, 8-32 x 0.500, bracket fan mtr, (2)
*	216795318	Energy Guide
*	297249900	Instructions, elect guide, Precision
*	297257400	Label, start guide
*	297001704	Insulation, 24", drain tube

**SYSTEM**



P08S0482

---

**SYSTEM**


---

POS. NO	PART NO.	DESCRIPTION
1 #	5300123788	Condenser
2	5308000110	Strap-evap/heater, aluminum, (2)
4	216987500	Drier-filter
5 #	297237600	Harness-main
14	216740000	Heater-defrost
15 #	216997200	Evaporator
15A	216565700	Heat Exchanger
18	297078700	Insulator-evap, styrofoam
19	297078800	Insulator-evap, styrofoam
20	216872200	Thermostat, defrost
27	5308002681	Grommet, compressor
29 #	297223600	Compressor, w/o electricals
30	216954214	Controller, compressor
31A	297216900	Pan-drain
32	216954300	Clip, controller
35	297177200	Bolt, compressor
43B	297048400	Clip
55 #	216236200	Capacitor-run, 180-200 VAC, 15 microfarad
86	216036601	Screw, RWHD, 8-32A x 0.500, GX-CA
130	297244700	Support, evaporator mtg
*	216502500	Sleeve, suction line
*	240555002	Screw-#8-32 X 3/8
*	297014500	Plug-suction line
*	297018400	Thermistor
* #	297169900	Cord-power, flat

## Free Manuals Download Website

<http://myh66.com>

<http://usermanuals.us>

<http://www.somanuals.com>

<http://www.4manuals.cc>

<http://www.manual-lib.com>

<http://www.404manual.com>

<http://www.luxmanual.com>

<http://aubethermostatmanual.com>

Golf course search by state

<http://golfingnear.com>

Email search by domain

<http://emailbydomain.com>

Auto manuals search

<http://auto.somanuals.com>

TV manuals search

<http://tv.somanuals.com>