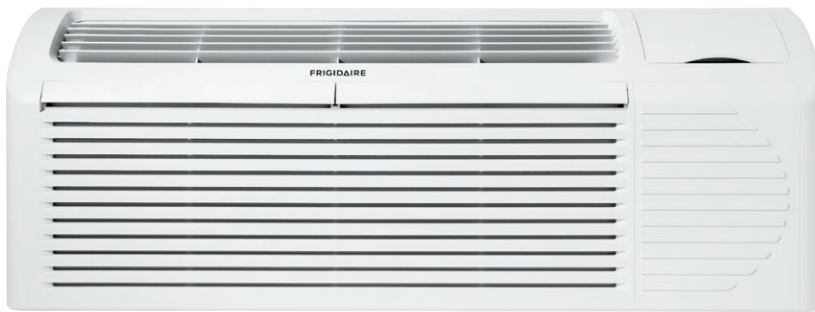




PTAC FRP12PTT2R

Air Conditioner / Heat Pump / Backup Electric Heater



Product Dimensions

Height	16"
Width	42"
Depth	13-13/16"

More Easy-To-Use Features

Comfort Control Design

Simple controls allow guests to customize their settings, while quiet, uniform air movement keeps rooms comfortable.

Smart Self-Check

Provides nine diagnostic points for self-check and correction of fault conditions.

Eco-Friendly

Frigidaire® uses R-410A refrigerant that's not harmful to the earth's ozone layer and meets U.S. Environmental Protection Agency requirements.

Effortless™ Operation

Simple, intuitive room controls are easy for guests to operate — ensuring a relaxing, more comfortable stay. Features like Effortless™ Restart and Ready-Select® controls reduce maintenance calls.

Performance	BTUs
Cool	12,000 / 11,800
Backup Electric Heater	10,200 / 8,300
Heat Pump	10,700 / 10,500



Signature Features

SilentDesign™

Sound reduction package.

Energy-Saver Option

This function effortlessly maximizes energy efficiency while keeping guests comfortable.

Effortless™ Maintenance

With Frigidaire's reputation for durability, easy maintenance, availability of reliable parts and service you can count on, you can be sure that you're getting the highest-quality performance.

Effortless™ Temperature Control

Frigidaire® air conditioners maintain the preset room temperature so the room remains comfortable at all times and helps control energy levels.

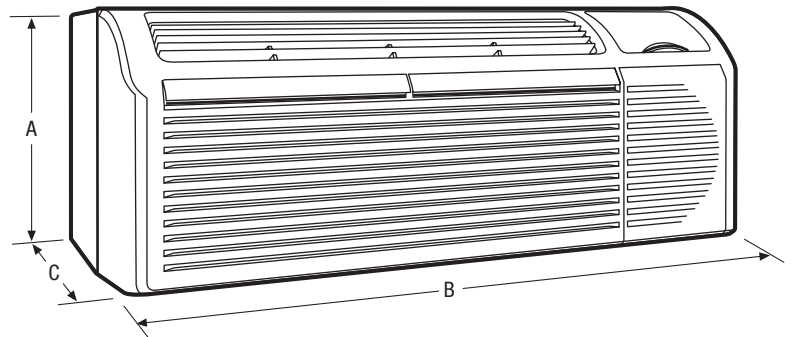
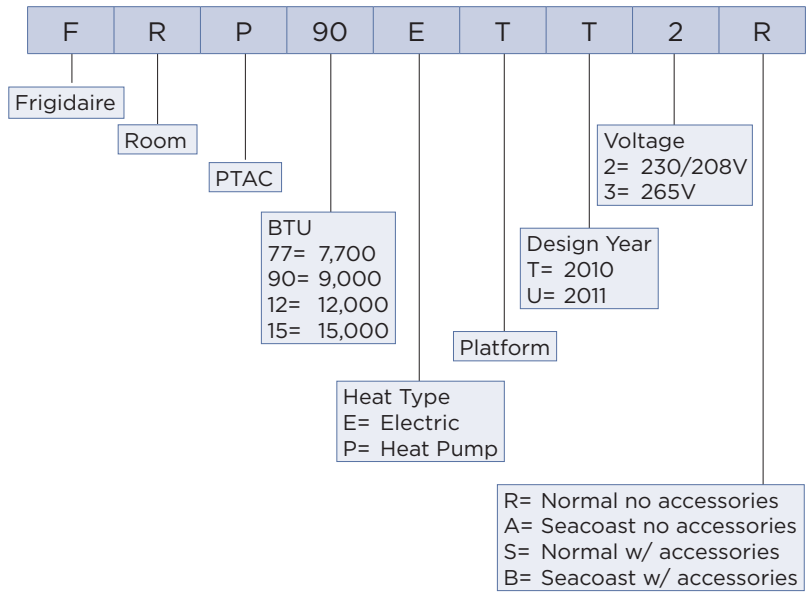
Performance	
BTU (Cool)	12,000/11,800
BTU (Backup Electric Heater)	10,200/8,300
BTU (Heat Pump)	10,700/10,500
Dehumidification (Pints/Hour)	2.7
Cool Area (Sq. Ft.)	640
Energy Efficiency Ratio	10.7/10.5
Electrical	
Volts	230/208
Amps (Cool)	5.1/5.3
Amps (Backup Electric Heater)	13.2/12.2
Amps (Heat Pump)	4.5/4.7
Watts (Cool)	1,120/1,120
Watts (Backup Electric Heater)	3,000/2,452
Watts (Heat Pump)	1,010/990
Cable Included	Yes
Length of Power Cord	5.5'
Circuit Breaker	20A
Plug Type (NEMA)	LCDI (6-20P)
Features	
Electronic Controls	Ready-Select® Controls
Front Desk Control Ready	Yes
Fan Speeds (Cool/Fan/Heat)	3/3/3
Noise Level Indoors (High/Med/Low)	53/52/51
Quiet Start-Up	Yes
Low Voltage Start-Up	Yes
Random Restart Protection	Yes
Effortless™ Auto Freeze Protection	Yes
Energy Save	Yes
24-Hour On/Off Timer	Yes
Air CFM (High/Med/Low)	315/295/275
Air Direction Control	Auxiliary 2-Way
Air Intake	Fresh or Recycled
Filter Type	Nylon Mesh
Filter Access	Slide-Out
Fin Coating	Normal
Slide-Out Chassis	Yes
Commercial Grade Warranty ¹	Yes
Certifications	
Safety Certification	UL, CUL & CSA
Performance	AHRI & CEC
Specifications	
Refrigerant	R410a
Charge	26.8 oz.
Shipping Weight (Approx.)	135 Lbs.

¹Warranty 5 year sealed system/1 year full parts and labor.



Plug Type (NEMA)
6-20P

PTAC Nomenclature



NOTE: For planning purposes only. Always consult local and national electric codes. Refer to Product Installation Guide for detailed installation instructions on the web at frigidaire.com.



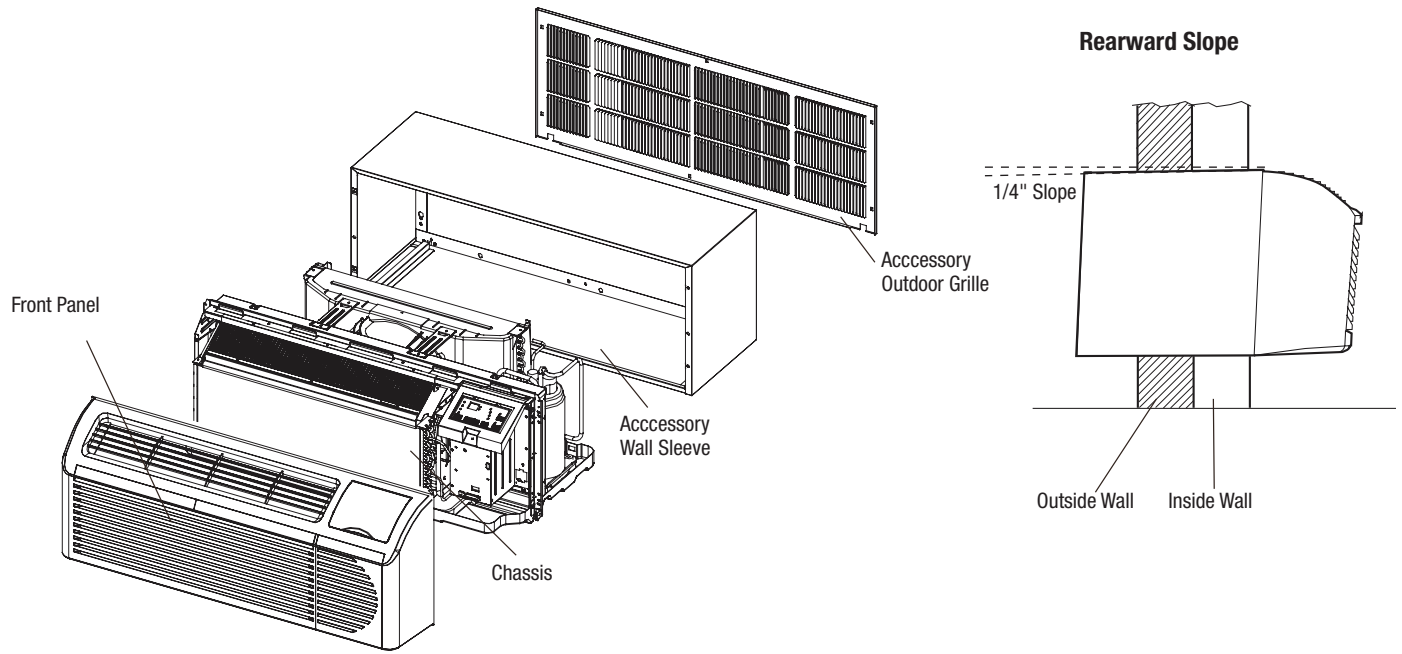
Product Dimensions	
A - Height	16"
B - Width	42"
C - Depth	13-13/16"
Max. Wall Thickness	13-13/16"

Wall Cutout Dimensions	
Height	16-5/16"
Width	42-3/16"

Accessories information available on the web at frigidaire.com

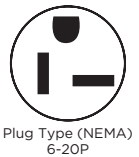
FRIGIDAIRE

USA • 10200 David Taylor Drive • Charlotte, NC 28262 • 1-866-942-1567 • frigidaire.com
 CANADA • 5855 Terry Fox Way • Mississauga, ON L5V 3E4 • 1-866-942-1567 • frigidaire.ca
 FRP12PTT2R 06/11



Product Dimensions	
Height	16"
Width	42"
Depth	13-13/16"
Max. Wall Thickness	13-13/16"

Wall Cutout Dimensions	
Height	16-5/16"
Width	42-3/16"



PTAC Specifications

- Product Shipping Weight (approx.) - 135 Lbs.
- An electrical supply with grounded three-prong receptacle is required. The power supply circuit must be installed in accordance with current edition of National Electrical Code (ANSI/NFPA 70) and local codes & ordinances.
- Voltage Rating - 230V/208V/60 Hz/20 Amps
- Amps @ 230/208V Volts = (Cool) 5.1/5.3 Amps/(Backup Electric Heater) 13.2/12.2 Amps/(Heat Pump) 4.5/4.7 Amps
- Always consult local and national electric codes.
- Recommended Circuit Breaker - 20 Amps
- Unit equipped with 230/208V 3-wire power supply cord, NEMA plug type 6-20P, approximately 66" long.
- In order for condensate water to drain properly inside the unit, the sleeve must be installed properly: Level from right to left with a slight 1/4" rearward pitch from the indoor side to the outdoor side as shown in the illustration above. Refer to the Installation Instructions on the web.

New Installation

- For new installation, Frigidaire® PTAC Sleeves are available and recommended for proper installation. See accessories pages for sleeve options.*
- PTAC installation requires 13-13/16" maximum wall thickness.

Replacement Installation

- When replacing existing PTAC with new unit, refer to Product Installation Guide on web to identify existing wall-sleeve manufacturer and size compatibility. If proper installation and slope are suspect, then correct installation of Frigidaire® PTAC Sleeve options recommended.
- For any sleeve retrofit application, be sure that the foam seals (factory-installed on the tube sheets) provide a good seal between the grille and the outdoor coil tube sheets. These foam seals provide a barrier that stops air from the inside mixing with air on the outside (known as air recirculation).
- Using Frigidaire® wall sleeve with Non-Frigidaire grille requires installation of an Accessory Baffle Kit, which ensures a good seal between the unit and exterior grille to prevent air recirculation. Air recirculation is a large contributor to performance loss and premature damage to major components.

Note: For planning purposes only. Refer to Product Installation Guide on the web at frigidaire.com for detailed instructions.

**See accessories pages attached for optional accessories.*

FRIGIDAIRE

USA • 10200 David Taylor Drive • Charlotte, NC 28262 • 1-866-942-1567 • frigidaire.com
 CANADA • 5855 Terry Fox Way • Mississauga, ON L5V 3E4 • 1-866-942-1567 • frigidaire.ca

FRP12PTT2R 06/11



Specifications subject to change.

Printed in the U.S.A.

Packaged Terminal Air Conditioner (PTAC)

FRIGIDAIRE®

FRP12PTT2R - Cool & Heat Pump with Electric Heat Back-up, 12,000 BTU

JOB:	REFERENCE:	CONSTRUCTION:
LOCATION:	APPROVAL:	UNIT NUMBER:
ENGINEER:	DATE:	DRAWING NUMBER:
SUBMITTED TO:	SUBMITTED BY:	

Features

- SilentDesign™
- Energy-Saver Option
- Eco-Friendly with R410a Refrigerant
- Ready-Select® Controls with LED Temperature Display
- Effortless™ Temperature Control
- Versatile Multi-Mode Operation
- Effortless™ Operation
- Multi-Speed Fan
- 24 Hour On/Off Timer
- Effortless™ Maintenance
- Effortless™ Protection
- Comfort Control Design
- Smart Self-Check
- Front desk Control Ready
- Cord included (LCDI 6-20P)
- Commercial Grade Warranty

Dimensions

Height: 16"
 Width: 42"
 Depth: 13 13/16"
 Unit Weight: 111 Lbs.
 Shipping Weight: 135 Lbs.
 Max Wall Thickness: 13 13/16"
 Cut-Out Height: 16 5/16"
 Cut-Out Width: 42 3/16"

PERFORMANCE	
BTU (Cool)	12,000/11,800
BTU (Heat Pump)	10700 / 10500
BTU (Heat - Electric)	10,200/8,300
EER (Cooling)	10.7/10.5
COP (Heat Pump)	3.1/3.1
Dehumidification (Pints/Hr.)	2.7
Approximate Cooling Area (Sq. Ft.)	640
Performance Certification	AHRI & CEC
Safety Certification	UL, CUL & CSA
Commercial Grade Warranty	1 Year Full/5 Year Sealed
ELECTRICAL	
Volts/Hertz	230/208V/60Hz
Amps (Cool)	5.1/5.3
Watts (Cool)	1120/1120
Amps (Heat Pump)	4.5/4.7
Watts (Heat Pump)	1010 / 990
Amps (Heat - Electric)	13.2/12.2
Watts (Heat - Electric)	3000/2452
Circuit Breaker	20A
NEMA Plug Type	LCDI 6-20P

SPECIFICATIONS	
Refrigerant	R410A
Charge (Oz.)	26.8
Noise Level Indoors (High/Med/Low) (dB)	53/52/51
Air Volume (CFM) (High/Med/Low)	315/295/276
Motor RPM (High/Med/Low)	1100/1000/920
Air Direction Control	Auxiliary 2-way
UPC Code	0-12505-27603-3
FEATURES	
Fin Coating	Normal
Air Intake	Fresh or Recycled
Low-Voltage Start-up	Yes
Auto Fan	Yes
Energy Saver	Yes
24 Hour On/Off Timer	Yes
Room Freeze Protection	Yes
Random Restart Protection	Yes
Quiet Start-up	Yes
Indoor Fan Speeds	3
LED Display	Yes

ACCESSORIES – A complete line of accessories is available for each Frigidaire PTAC model. For more details please contact our Commercial Call Center at 1-866-942-1567.



Free Manuals Download Website

<http://myh66.com>

<http://usermanuals.us>

<http://www.somanuals.com>

<http://www.4manuals.cc>

<http://www.manual-lib.com>

<http://www.404manual.com>

<http://www.luxmanual.com>

<http://aubethermostatmanual.com>

Golf course search by state

<http://golfingnear.com>

Email search by domain

<http://emailbydomain.com>

Auto manuals search

<http://auto.somanuals.com>

TV manuals search

<http://tv.somanuals.com>