

864 HH Fireplace

Featuring the



Burner

Tested and Listed by



OMNI-Test Laboratories, Inc.
Beaverton, Oregon
Report # 028-F-59b-5
ANSI Z21.88b-2003

- Built-In Direct Vent Fireplace
- Natural Gas or Propane
- Residential or Mobile Home

WARNING: If the information in these instructions is not followed exactly, a fire or explosion may result causing property damage, personal injury or loss of life.

- Do not store or use gasoline or other flammable vapors and liquids in the vicinity of this or any other appliance.

WHAT TO DO IF YOU SMELL GAS

- Do not try to light any appliance.
- Do not touch any electrical switch; do not use any phone in your building.
- Immediately call gas supplier from a neighbor's phone. Follow the gas supplier's instructions.
- If you cannot reach your gas supplier, call the fire department.
- Installation and service must be performed by a qualified installer, service agency or the gas supplier.

This appliance may be installed in an aftermarket permanently located, manufactured home (USA only) or mobile home, where not prohibited by local codes.

This appliance is only for use with the type(s) of gas indicated on the rating plate. A conversion kit is supplied with the appliance.

Installation Manual



**TRAVIS INDUSTRIES
HOUSE OF FIRE**

4800 Harbour Pointe Blvd. SW
Mukilteo, WA 98275

© Copyright 2008, T.I. \$10.00 100-01182_003 4080214

Overview

This manual details the installation requirements for the 864 HH (Home Heater) fireplace. For operating and maintenance instructions, refer to the 864 HH Owner's Manual (part # 100-01181).

Listing Details

This appliance was listed by OMNI-Test Laboratories, Inc. to ANSI Z21.88 - report # 028-F-59b-5. The listing label is attached to the appliance near the gas control valve. A copy is shown to the right.

IAS (ICBO) Approval

This appliance was listed by OMNI-Test Laboratories, Inc. - IAS # TL130 (previously ICBO).

Massachusetts Approval

This manual has been submitted to the Massachusetts Board of State Examiners of Plumbers and Gas Fitters

National Fireplace Institute



We suggest that our gas hearth products be installed and serviced by professionals who are certified in the U.S. by the National Fireplace Institute® (NFI) as NFI Gas Specialists.

www.nficertified.org

Tested & Listed by **OMNI-TEST LABORATORIES, INC.**
Beaverton, Oregon USA
Report No. 028-F-59b-5
Certified for USA

This appliance must be installed in accordance with local codes. If any; if none, follow the National Fuel Gas Code, ANSI Z223.1/NFPA 54, Installation in Manufactured or Mobile Homes must conform with Manufactured Home Construction and Safety Standard, Title 24 CFR, Part 3280.

This vented gas fireplace heater is equipped at the factory for use with natural gas. If conversion to propane (LP) is desired, the optional factory conversion kit must be used.

This appliance is only for use with the type of gas indicated on the rating plate and may be installed in an aftermarket, permanently located, manufactured (mobile) home where not prohibited by local codes. See owner's manual for details. This appliance is not convertible for use with other gases, unless a certified kit is used.

This vented gas fireplace heater is not for use with air filters.

Keep burner and control compartment clean. See installation and operating instructions accompanying appliance.

This appliance must be properly connected to a venting system in accordance with the manufacturer's installation instructions. Use only approved coaxial direct vent system to vent this appliance to the exterior. See owner's manual for approved brands of venting.

WARNING: Improper installation, adjustment, alteration, service or maintenance can cause injury or property damage. Refer to the owner's information manual provided with this appliance. For assistance or additional information consult a qualified installer, service agency or the gas supplier.

864 HH
Vented Gas Fireplace Heater

<p>Minimum Clearances to Combustibles</p> <p>Fireplace Face to Adjacent Wall .. 1" Top to enclosure (from stand-offs)</p> <p>Wood Floor Beneath Fireplace ... 0" Sides to enclosure</p> <p>Back to enclosure .. 0.5" Base of Fireplace to an 8" Mantel (see manual for other mantel depths)... 49"</p>	<p style="text-align: center;">L.P. N.G.</p> <p>Input Rate on "HI" (BTU/HR)..... 39,000 40,000 Minimum Inlet Pressure (inches W.C.)..... 11" 5.5"</p> <p>Input Rate on "LO" (BTU/HR)..... 26,600 32,375 Maximum Inlet Pressure (inches W.C.)..... 13" 7"</p> <p>Manifold Pressure on "HI" (inches W.C.)</p>
---	---

For natural gas when equipped with the following drill size orifice: DMS 45 Front - 45 Back
For propane when equipped with the following drill size orifice: 1.2 mm Front - DMS 55 Back

This appliance is equipped for use only at altitudes 0-2,000 feet.


For altitudes above 2,000 feet, the vent configuration, orifice, or combination of both may need to be changed.

See the owner's manual for information on making these changes.

Electrical Rating: 115v, 1.5 Amps, 60 Hz

Manufacture Date:

2006	2007	2008	Jan.	Feb.	Mar.	Apr.	May	Jun.	Jul.	Aug.	Sep.	Oct.	Nov.	Dec.
------	------	------	------	------	------	------	-----	------	------	------	------	------	------	------



TRAVIS INDUSTRIES
HOUSE OF FIRE

4800 Harbour Pointe Blvd. SW Mukilteo, WA 98275

VENTED GAS FIREPLACE HEATER – NOT FOR USE WITH SOLID FUEL

CAUTION: Hot while in operation. Do not touch. Severe burns may result. Keep children, clothing, furniture, gasoline and other liquids having flammable vapors away. Do not operate this appliance with glass removed, cracked or broken. Replacement of the panel(s) should be done by a licensed or qualified service person.

IGN 594

Introduction

Overview.....	2
Listing Details.....	2

Safety Precautions

Safety Precautions.....	4
-------------------------	---

Features and Specifications

Features.....	6
Installation Options.....	6
Heating Specifications.....	6
Dimensions.....	6

Installation

Packing List.....	7
Additional Items Required.....	7
Installation Overview.....	7
Recommended Installation Procedure.....	7
.....	8
Converting the Fireplace to Top Vent Configuration.....	9
Fireplace Placement Requirements.....	11
Clearances.....	11
Raised Fireplaces.....	11
Min. Framing Dims. - Rear Vent Configuration.....	12
Min. Framing Dims. - Top Vent Configuration.....	13
Nailing Brackets.....	14
Corner Installations - Rear Vent Configuration.....	15
Corner Installations - Top Vent Configuration.....	16
Gas Line Requirements.....	17
Fuel.....	17
Gas Line Connection.....	17
Gas Inlet Pressure.....	17
Gas Line Location.....	17
Electrical Connection (required).....	19
Wall Switch or Thermostat Installation.....	20
Wiring Diagram (Millivolt System).....	20
Wall Switch Installation.....	20
Vent Requirements.....	21
Vent Clearances.....	21
Altitude Considerations.....	21
Approved Vent.....	22
Vent Installation.....	22
Approved Vent Configurations.....	23
Restrictor Position.....	23
Exhaust Restrictor Adjustment.....	23
Intake Restrictor Adjustment.....	24
Diffuser Plate Adjustment.....	25
Rear Vent Config. W Horizontal Term. (no vertical rise).....	26
Rear Vent Config. W Horizontal Term. (w vertical rise).....	27
Rear Vent Configuration with Vertical Termination.....	28
Top Vent Configuration with Horizontal Termination.....	29
Top Vent Configuration with Vertical Termination.....	30
Termination Requirements.....	31

Installation (continued)

Hearth Requirements.....	32
Facing Requirements.....	33
Drywall Installation.....	33
Facing Overview.....	34
Optional Faceplates – Sizing Chart.....	34
Thin Facing Installation.....	35
Thick Facing Installation.....	37
Thick Facing Installation with FPX Arched Faces.....	38
Mantel Requirements.....	40
Install Example - Build-Out (Dog-House) w Hor. Term.....	41
Install Example - Build-In w Hor. Term.....	42

Finalizing the Installation

Steps for Finalizing the Installation.....	43
Starting the Pilot Flame.....	43
Pilot Flame Inspection.....	43
Air Shutter Adjustment.....	44
Glass Frame Removal and Installation.....	45
Fireback and Grate Installation.....	47
Log Set Installation.....	48
LP Conversion Instructions.....	52

Optional Equipment

Grill Installation.....	55
Remote Control Receiver Installation (2 Options).....	56
Extra Room Power Heat Duct.....	57
Accent Light Installation (sku 94400100).....	64

Index

Index.....	68
------------	----

Safety Warnings:

- Failure to follow all of the requirements may result in property damage, bodily injury, or even death.
- This unit must be installed by a qualified installer to prevent the possibility of an explosion.
- This appliance must be installed in accordance with all local codes, if any; if not, in U.S.A. follow ANSI Z223.1 and NFPA 54(88).
- In Manufactured or Mobile Homes must confirm with: In USA, Manufactured Home Construction and Safety Standard, Title 24 CFR, Part 3280, or, when such a standard is not applicable, the Standard for Manufactured Home Installations, ANSI/NCSCS A225.1. This appliance may be installed in Manufactured Housing only after the home is site located.
- All exhaust gases must be vented outside the structure of the living-area. Combustion air is drawn from outside the living-area structure.
- Notify your insurance company before hooking up this fireplace.
- The room heater should be inspected before use and at least annually by a qualified service person. More frequent cleaning may be required due to excessive lint from carpeting, bedding material, etc.
- The instructions in this manual must be strictly adhered to. Do not use makeshift methods or compromise in the installation. Improper installation will void the warranty and safety listing.
- This heater is approved for use with natural gas (NG) or propane (LP). Burning the incorrect fuel will void the warranty and safety listing and may cause an extreme safety hazard. Direct questions about the type of fuel used to your dealer. Check the label and flame adjust knob on the gas control valve.
- Contact your local building officials to obtain a permit and information on any installation restrictions or inspection requirements in your area.
- If the flame becomes sooty, dark orange in color, or extremely tall, do not operate the heater. Call your dealer and arrange for proper servicing.
- It is imperative that control compartments, screens, or circulating air passageways of the heater be kept clean and free of obstructions. These areas provide the air necessary for safe operation.
- Do not operate the heater if it is not operating properly in any fashion or if you are uncertain. Call your dealer for a full explanation of your heater and what to expect.
- Do not store or use gasoline or other flammable liquids in the vicinity of this heater.
- Do not operate if any portion of the heater was submerged in water or if any corrosion occurs.
- Do not place clothing or other flammable items on or near the heater. Because this heater can be controlled by a thermostat there is a possibility of the heater turning on and igniting any items placed on or near it.
- Light the heater using the built-in piezo igniter. Do not use matches or any other external device to light your heater.
- Never remove, replace, modify or substitute any part of the heater unless instructions are given in this manual. All other work must be done by a trained technician. Don't modify or replace orifices.
- The viewing glass should be opened only for lighting the pilot or conducting service.
- Any safety screen or guard removed for servicing must be replaced prior to operating the heater.

Safety Warnings (continued):

- Allow the heater to cool before carrying out any maintenance or cleaning.
- Operate the heater according to the instructions included in this manual.
- If the main burners do not start correctly turn the gas off at the gas control valve and call your dealer for service.
- The pilot flame must contact the thermopile and thermocouple. If it does not, turn the gas control valve to "OFF" and call your dealer.
- This unit is not for use with solid fuel.
- Do not place anything inside the firebox (except the included logs).
- If the fiber logs become damaged, replace with Travis Industries log set.
- Do not throw this manual away. This manual has important operating and maintenance instructions that you will need at a later time. Always follow the instructions in this manual.
- Do not touch the hot surfaces of the heater. Educate all children of the danger of a high-temperature heater. Young children should be supervised when they are in the same room as the heater.
- Due to the high temperature, the heater should be located out of traffic and away from furniture and draperies.
- Instruct everyone in the house how to shut gas off to the appliance and at the gas main shutoff valve. The gas main shutoff valve is usually next to the gas meter or propane tank and requires a wrench to shut off.
- **Travis Industries, Inc. grants no warranty, implied or stated, for the installation or maintenance of your heater, and assumes no responsibility of any consequential damage(s).**

Installation Options

- Residential or Mobile Home
- Straight or Corner Placement
- Flush or Recessed Face
- Raised or Floor Placement
- Internal or External Chase
- Horizontal or Vertical Vent
- Bedroom Approved

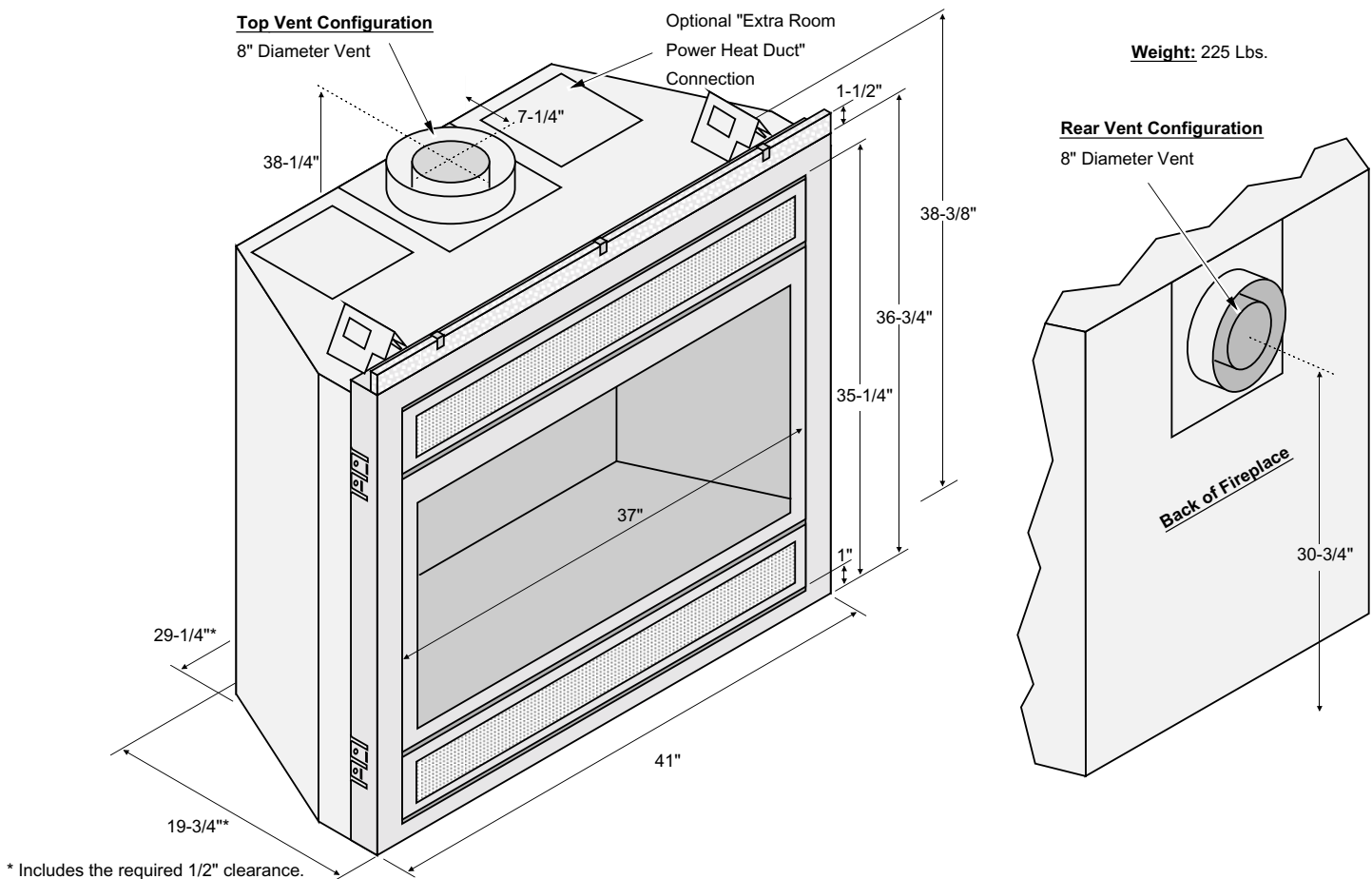
Heating Specifications

	Natural Gas	Propane
Approximate Heating Capacity (in square feet)*	1,200 to 2,250	1,200 to 2,250
Maximum BTU Input Per Hour	40,000	39,000
Steady State Efficiency** (with blowers on)	Up to 80 %	Up to 81 %

* Heating capacity will vary with floor plan, insulation, and outside temperature.

** Efficiency rating is a product thermal efficiency rating determined under continuous operation independent of installed system.

Dimensions



Packing List

- Propane Conversion Kit
- Log Set (9 piece)
- Grate
- Wall Switch with Wire (see page 20 for details)
- Firestop (sku 93006094)

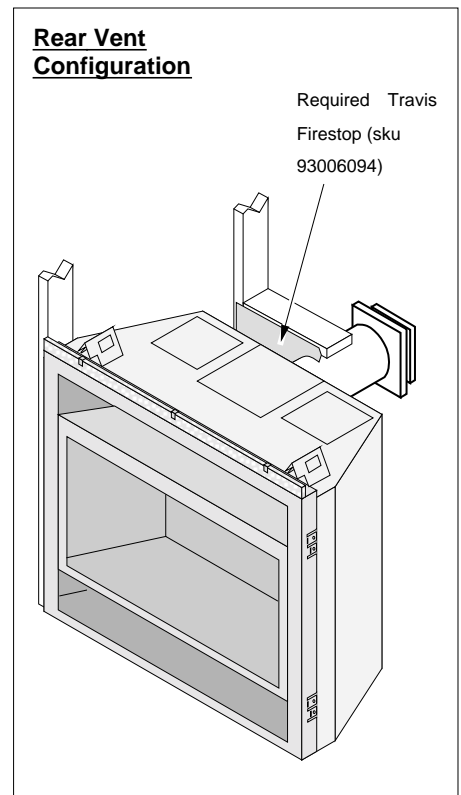
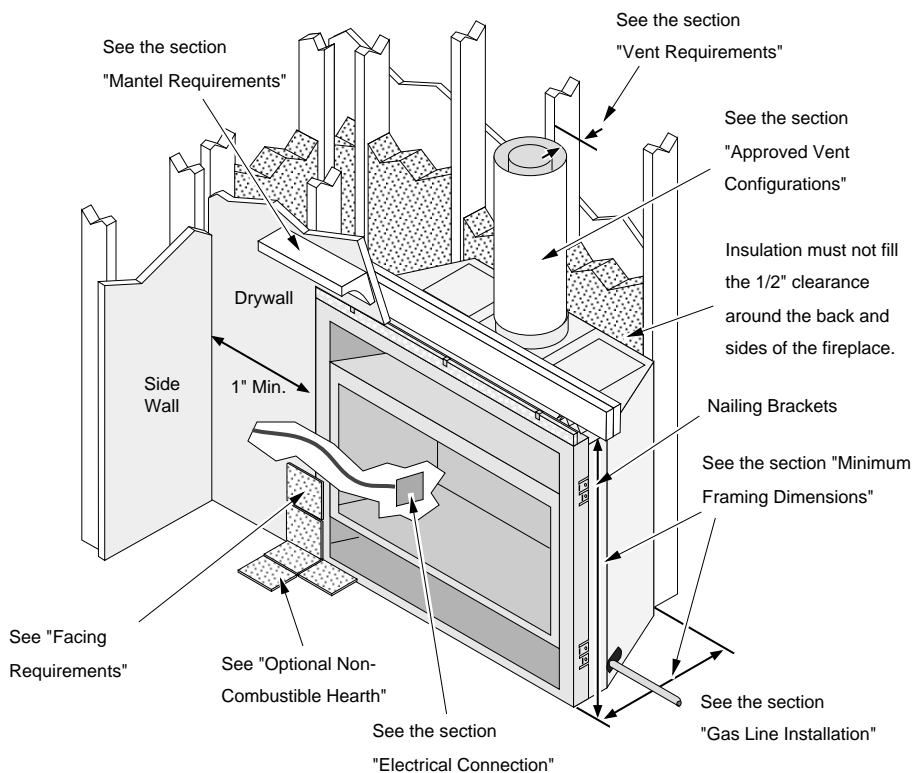
Additional Items Required

- **FIREBACKS ARE REQUIRED – See page 47.** (sku 98500662, 98500663, 98500664, or 98500665)
- Direct Vent
- Gas Line Equipment (shutoff valve, pipe, etc.)
- Electrical Equipment (min. 14 gauge, grounded line)
- Grill or Face

Installation Overview

- All requirements below must be met.

Top Vent Configuration



Recommended Installation Procedure

- Frame the opening for the fireplace. Make sure to allow for vent installation.
- This fireplace is designed to accommodate 1/2" or 5/8" drywall (see "Nailing Brackets" on page 14 for details). Secure the fireplace to the framing.
- Install the vent, gas line and electrical hook-up.
- Install the wall switch (see page 20) or thermostat (if applicable).
- Install the drywall.
- Install the hearth (if applicable).
- Install the facing (if applicable).
- Install the mantel (if applicable).
- Finalize the installation (see page 43) and install the grill or face.

Massachusetts Requirements

NOTE: The following requirements reference various Massachusetts and national codes not contained in this document.

Requirements for the Commonwealth of Massachusetts

For all side wall horizontally vented gas fueled equipment installed in every dwelling, building or structure used in whole or in part for residential purposes, including those owned or operated by the Commonwealth and where the side wall exhaust vent termination is less than seven (7) feet above finished grade in the area of the venting, including but not limited to decks and porches, the following requirements shall be satisfied:

Installation of Carbon Monoxide Detectors

At the time of installation of the side wall horizontal vented gas fueled equipment, the installing plumber or gasfitter shall observe that a hard wired carbon monoxide detector with an alarm and battery back-up is installed on the floor level where the gas equipment is to be installed. In addition, the installing plumber or gasfitter shall observe that a battery operated or hard wired carbon monoxide detector with an alarm is installed on each additional level of the dwelling, building or structure served by the side wall horizontal vented gas fueled equipment. It shall be the responsibility of the property owner to secure the services of qualified licensed professionals for the installation of hard wired carbon monoxide detectors.

In the event that the side wall horizontally vented gas fueled equipment is installed in a crawl space or an attic, the hard wired carbon monoxide detector with alarm and battery back-up may be installed on the next adjacent floor level.

In the event that the requirements of this subdivision can not be met at the time of completion of installation, the owner shall have a period of thirty (30) days to comply with the above requirements; provided, however, that during said thirty (30) day period, a battery operated carbon monoxide detector with an alarm shall be installed.

Approved Carbon Monoxide Detectors

Each carbon monoxide detector as required in accordance with the above provisions shall comply with NFPA 720 and be ANSI/UL 2034 listed and IAS certified.

Signage

A metal or plastic identification plate shall be permanently mounted to the exterior of the building at a minimum height of eight (8) feet above grade directly in line with the exhaust vent terminal for the horizontally vented gas fueled heating appliance or equipment. The sign shall read, in print size no less than one-half (1/2) inch in size, "GAS VENT DIRECTLY BELOW. KEEP CLEAR OF ALL OBSTRUCTIONS".

Inspection

The state or local gas inspector of the side wall horizontally vented gas fueled equipment shall not approve the installation unless, upon inspection, the inspector observes carbon monoxide detectors and signage installed in accordance with the provisions of 248 CMR 5.08(2)(a)1 through 4.

Exemptions

The following equipment is exempt from 248 CMR 5.08(2)(a)1 through 4:

- The equipment listed in Chapter 10 entitled "Equipment Not Required To Be Vented" in the most current edition of NFPA 54 as adopted by the Board; and
- Product Approved side wall horizontally vented gas fueled equipment installed in a room or structure separate from the dwelling, building or structure used in whole or in part for residential purposes.

MANUFACTURER REQUIREMENTS**Gas Equipment Venting System Provided**

When the manufacturer of Product Approved side wall horizontally vented gas equipment provides a venting system design or venting system components with the equipment, the instructions provided by the manufacturer for installation of the equipment and the venting system shall include:

- Detailed instructions for the installation of the venting system design or the venting system components; and
- A complete parts list for the venting system design or venting system.

Gas Equipment Venting System NOT Provided

When the manufacturer of a Product Approved side wall horizontally vented gas fueled equipment does not provide the parts for venting the flue gases, but identifies "special venting systems", the following requirements shall be satisfied by the manufacturer:

- The referenced "special venting system" instructions shall be included with the appliance or equipment installation instructions; and
- The "special venting systems" shall be Product Approved by the Board, and the instructions for that system shall include a parts list and detailed installation instructions.

A copy of all installation instructions for all Product Approved side wall horizontally vented gas fueled equipment, all venting instructions, all parts lists for venting instructions, and/or all venting design instructions shall remain with the appliance or equipment at the completion of the installation.

See Gas Connection section for additional Commonwealth of Massachusetts requirements.

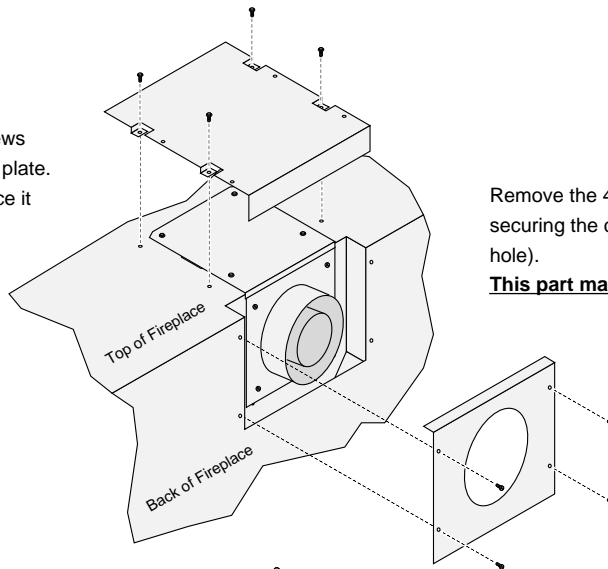
Top Vent or Rear Vent Configuration

This appliance is shipped in the rear vent configuration. To change to the top vent configuration, follow the directions below.

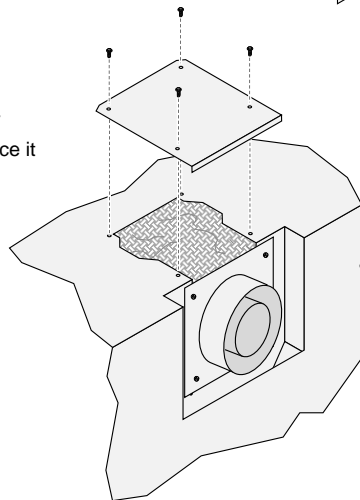
NOTE: the vent configuration affects several aspects of installation (framing, maximum vent rise, maximum vent run). When reviewing the installation requirements make sure to pay attention to the type of configuration being used.

Converting the Fireplace to Top Vent Configuration

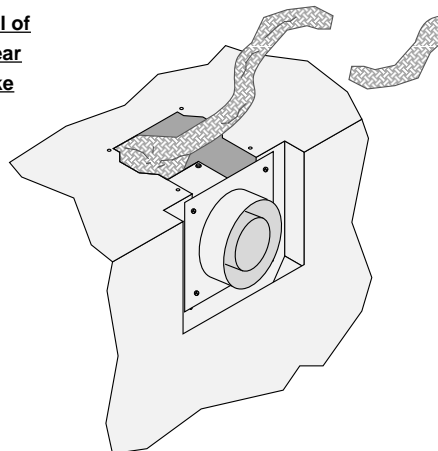
Remove the 4 screws securing the cover plate. Remove it and place it aside.



Remove the 4 screws securing the intake cover plate. Remove it and place it aside.

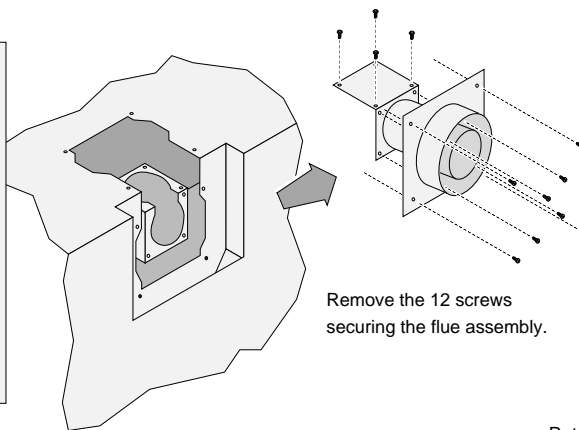
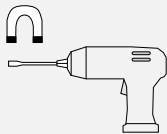


Remove and discard all of the insulation found near the flue assembly (make sure to remove every piece).

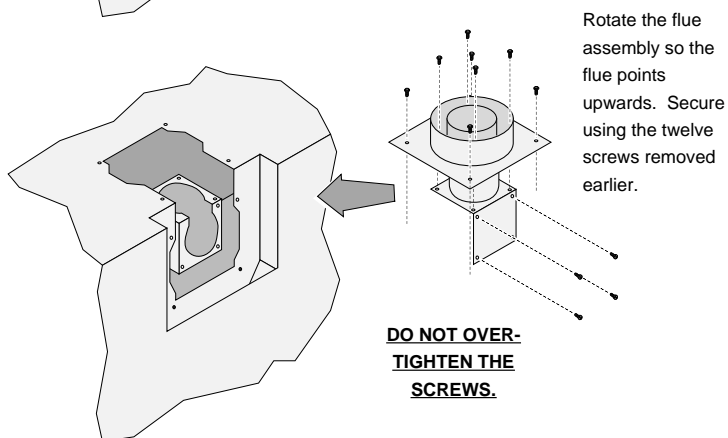


Converting the Fireplace to Top Vent (continued)

NOTE: Use a magnetic-tipped nutdriver on these screws - take care to prevent the screws from falling into the fireplace.

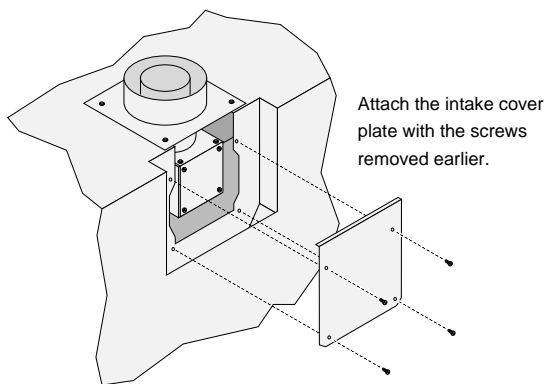


Remove the 12 screws securing the flue assembly.

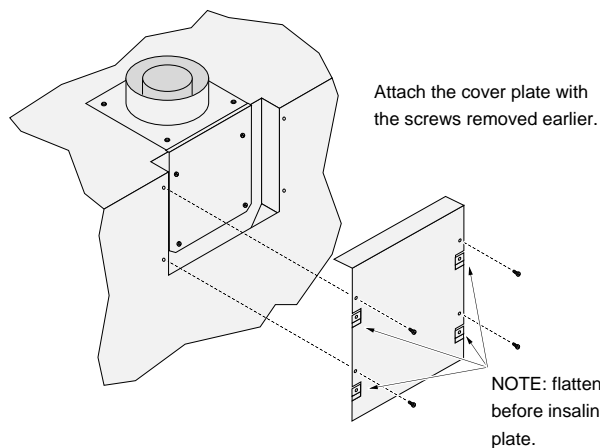


Rotate the flue assembly so the flue points upwards. Secure using the twelve screws removed earlier.

DO NOT OVERTIGHTEN THE SCREWS.



Attach the intake cover plate with the screws removed earlier.



Attach the cover plate with the screws removed earlier.

NOTE: flatten the four legs before insaling the cover plate.

Fireplace Placement Requirements

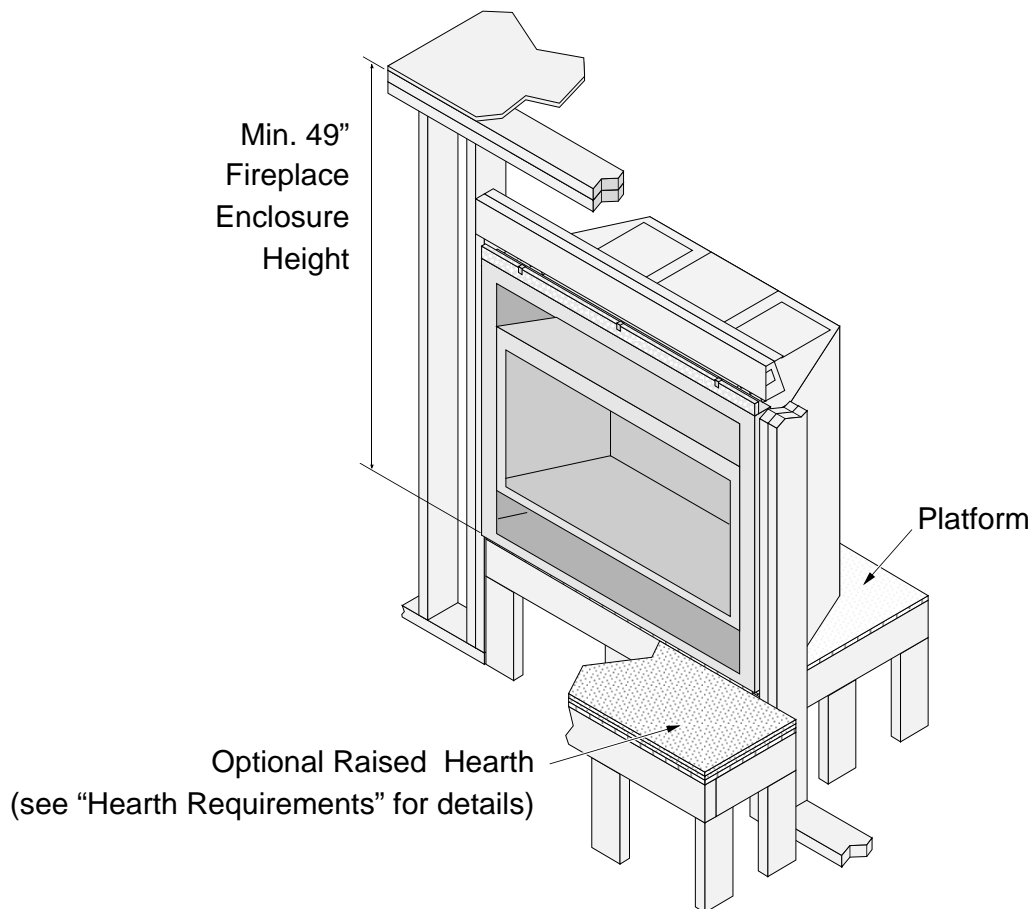
- The fireplace requires a 1/2" clearance from the angled sides and back of the fireplace to the framing members. No material (insulation, framing, etc.) may be placed into this area.
- Fireplace must be installed on a level surface capable of supporting the fireplace and vent
- Fireplace must be placed directly on wood or non-combustible surface (not on linoleum or carpet)
- This heater may be placed in a bedroom. Please be aware of the large amount of heat this appliance produces when determining a location.

Clearances

- When installed, walls in front of the fireplace must be a minimum 1" to the side of the fireplace.
- Due to the high temperature, the heater should be located out of traffic and away from furniture and draperies.
- Fireplace must be placed so the vents below and above the glass do not become blocked.

Raised Fireplaces

- The fireplace (and hearth, if desired) may be placed on a platform designed to support the fireplace (225 Lbs.) and vent.

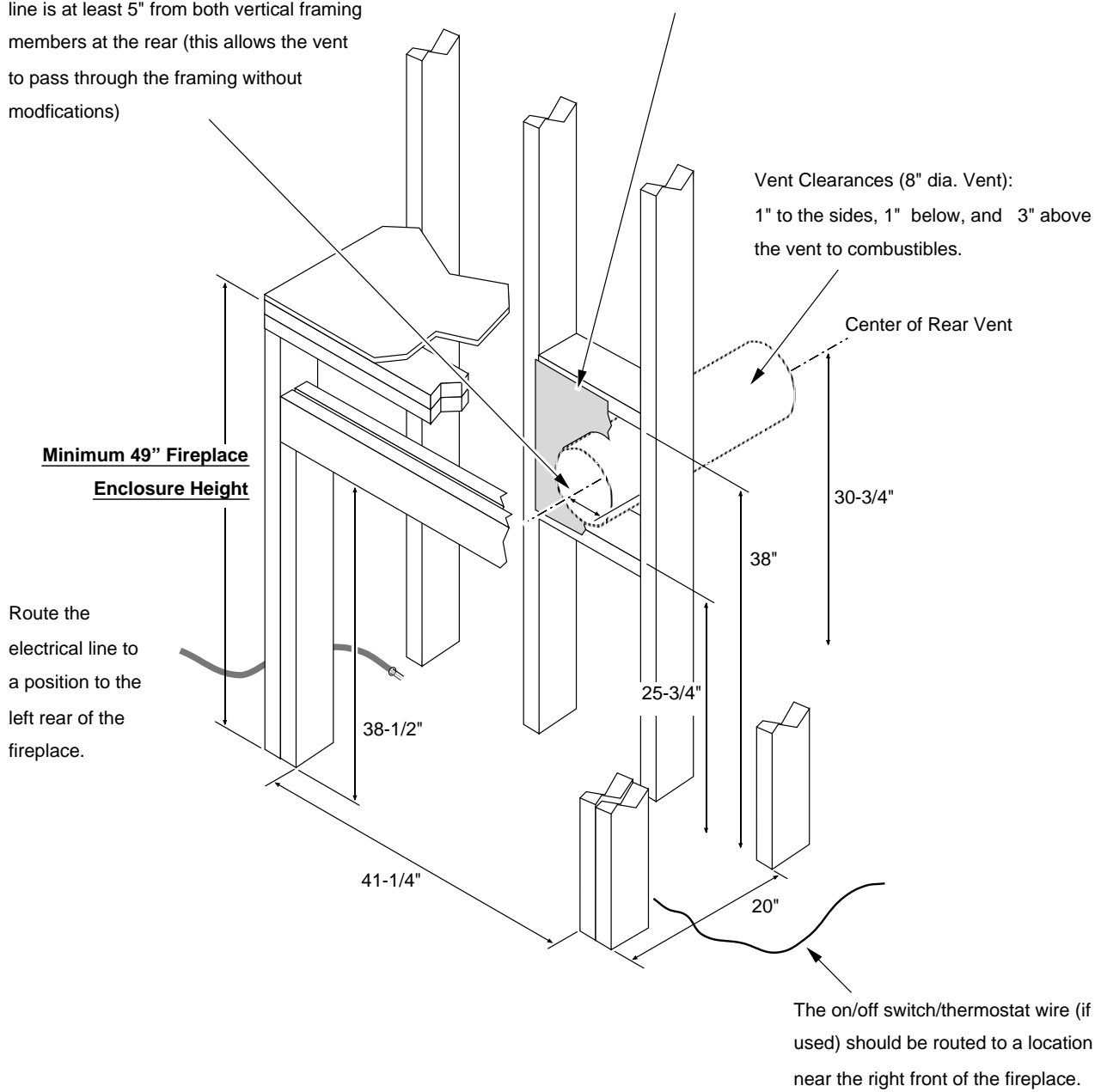


Minimum Framing Dimensions - Rear Vent Configuration

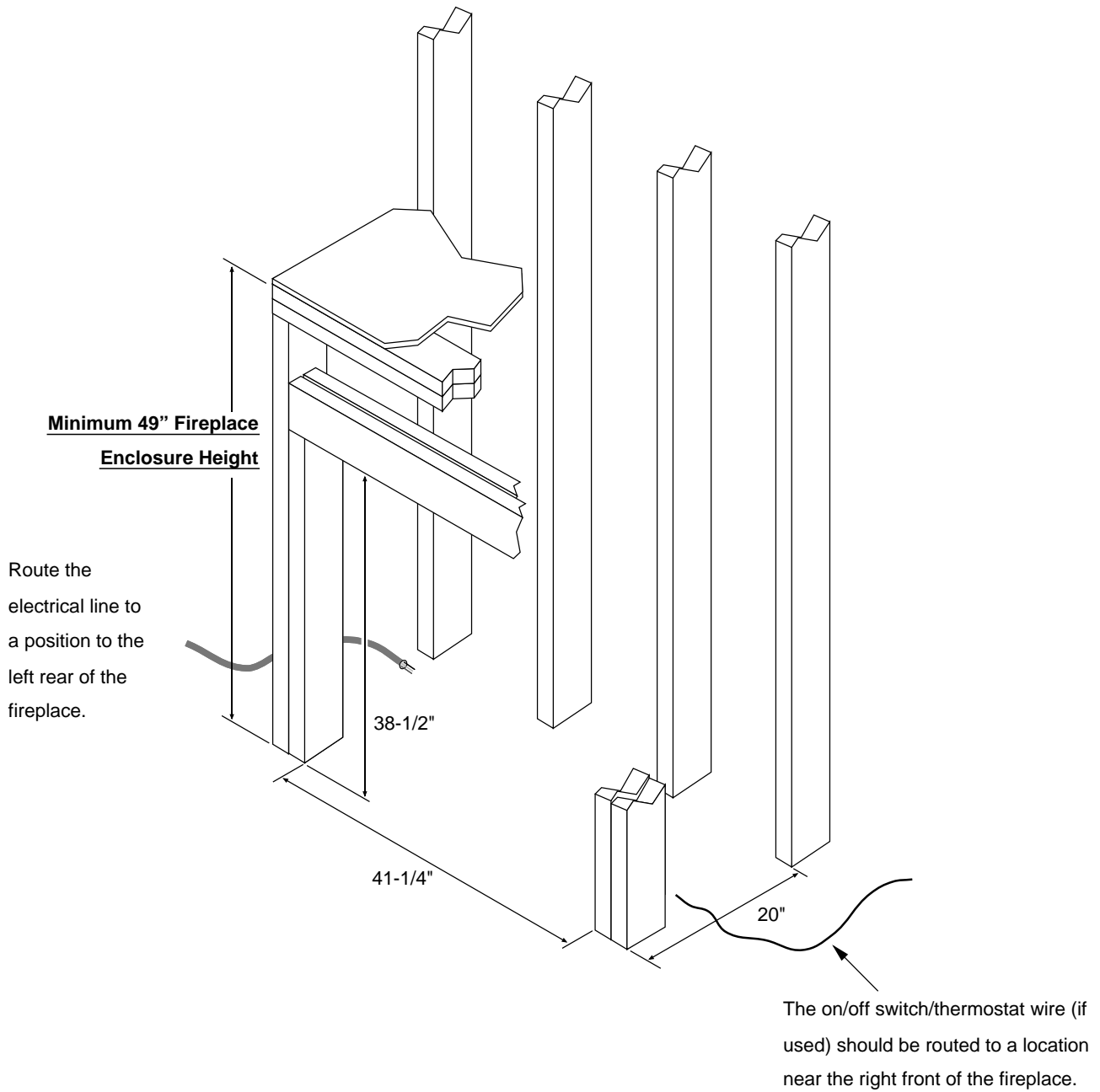
HINT: place the fireplace so the center line is at least 5" from both vertical framing members at the rear (this allows the vent to pass through the framing without modifications)

Included Firestop (required)
Part # 93006094

Vent Clearances (8" dia. Vent):
1" to the sides, 1" below, and 3" above the vent to combustibles.



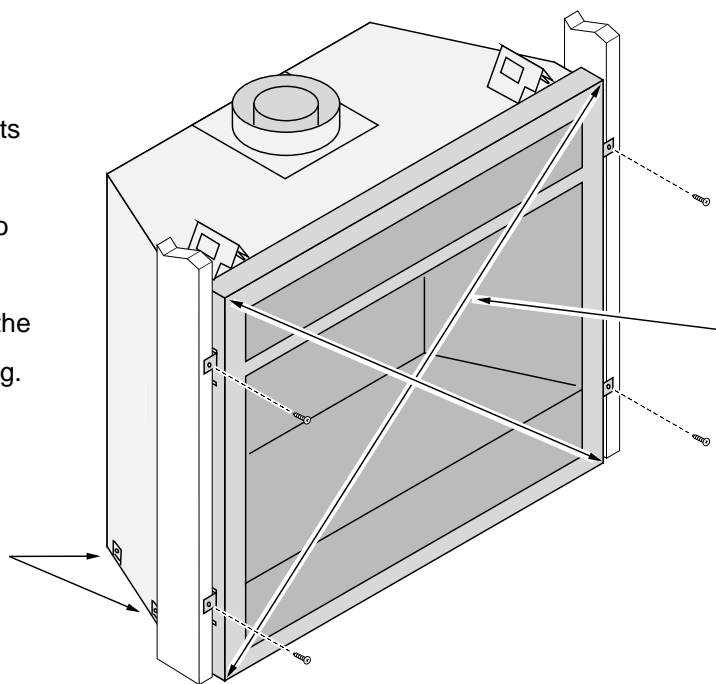
Minimum Framing Dimensions - Top Vent Configuration



Nailing Brackets

There are four nailing brackets on the front of the fireplace. Follow the directions below to prepare the nailing brackets. Once in place, nail or screw the nailing brackets to the framing.

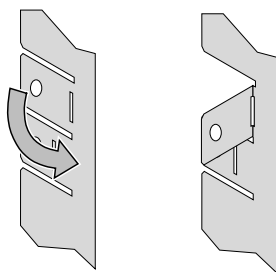
NOTE: Additional nailing brackets are provided along the base of the fireplace. Use these brackets if not using the front brackets.



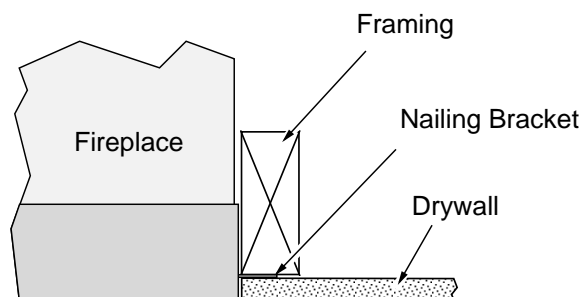
Make sure the fireplace is square and plumb when placed in the framing. Measured corner-to-corner, the fireplace should be square (approx. 54-7/8" for each dimension). Use shims to insure the fireplace is square.

1/2" Drywall

For installations using 1/2" facing fold the larger tab out 90° (use a screwdriver if necessary).

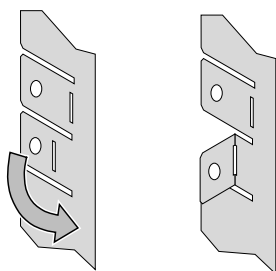


TOP VIEW

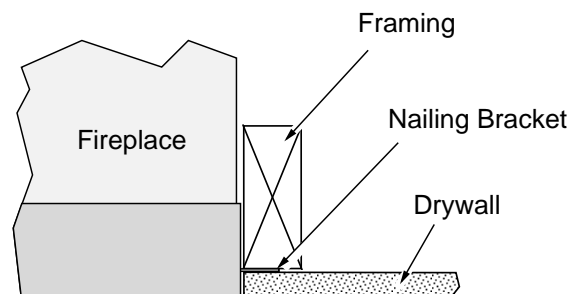


5/8" Drywall

For installations using 5/8" drywall fold the shorter tab out 90° (use a screwdriver if necessary).

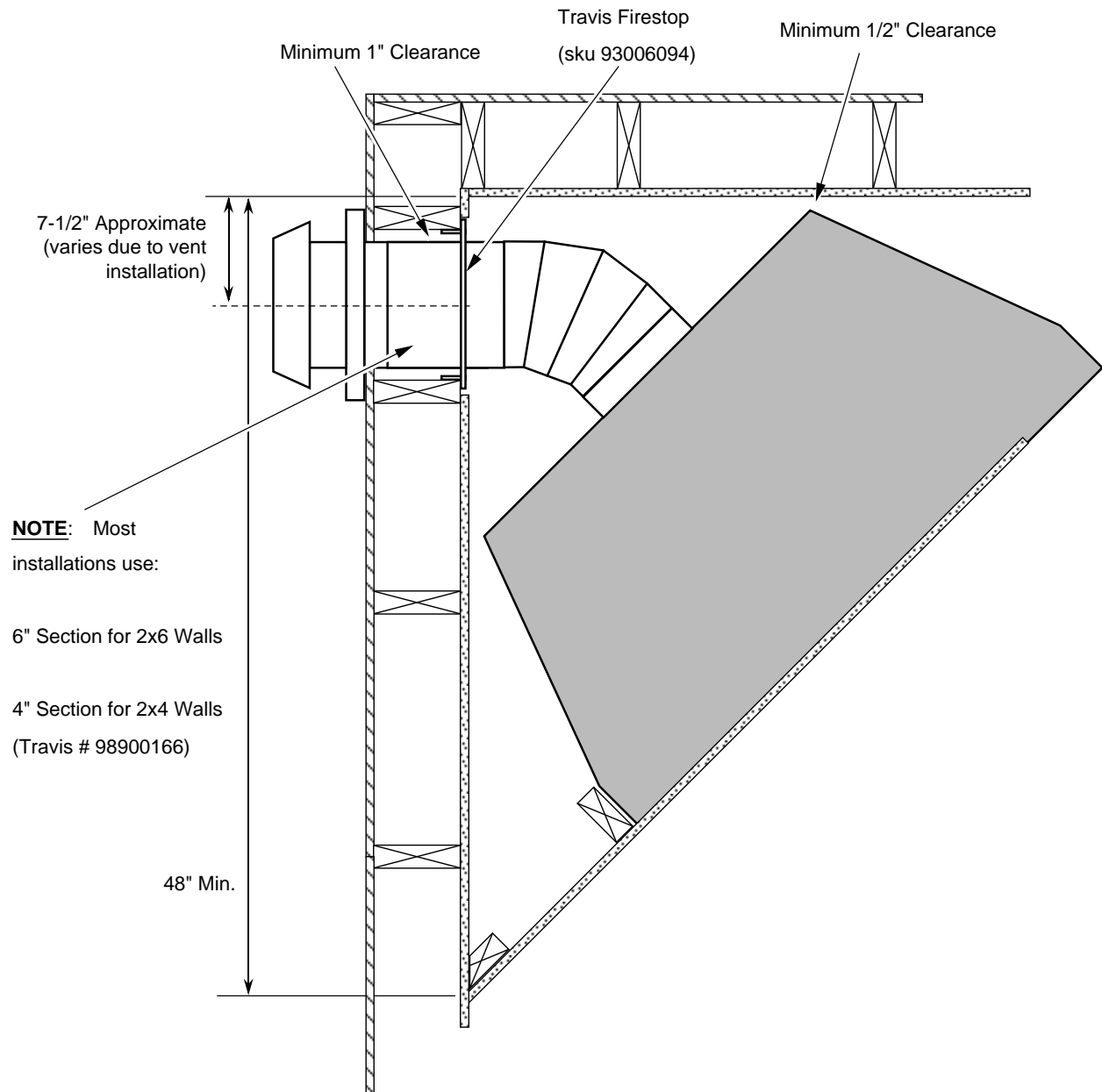


TOP VIEW



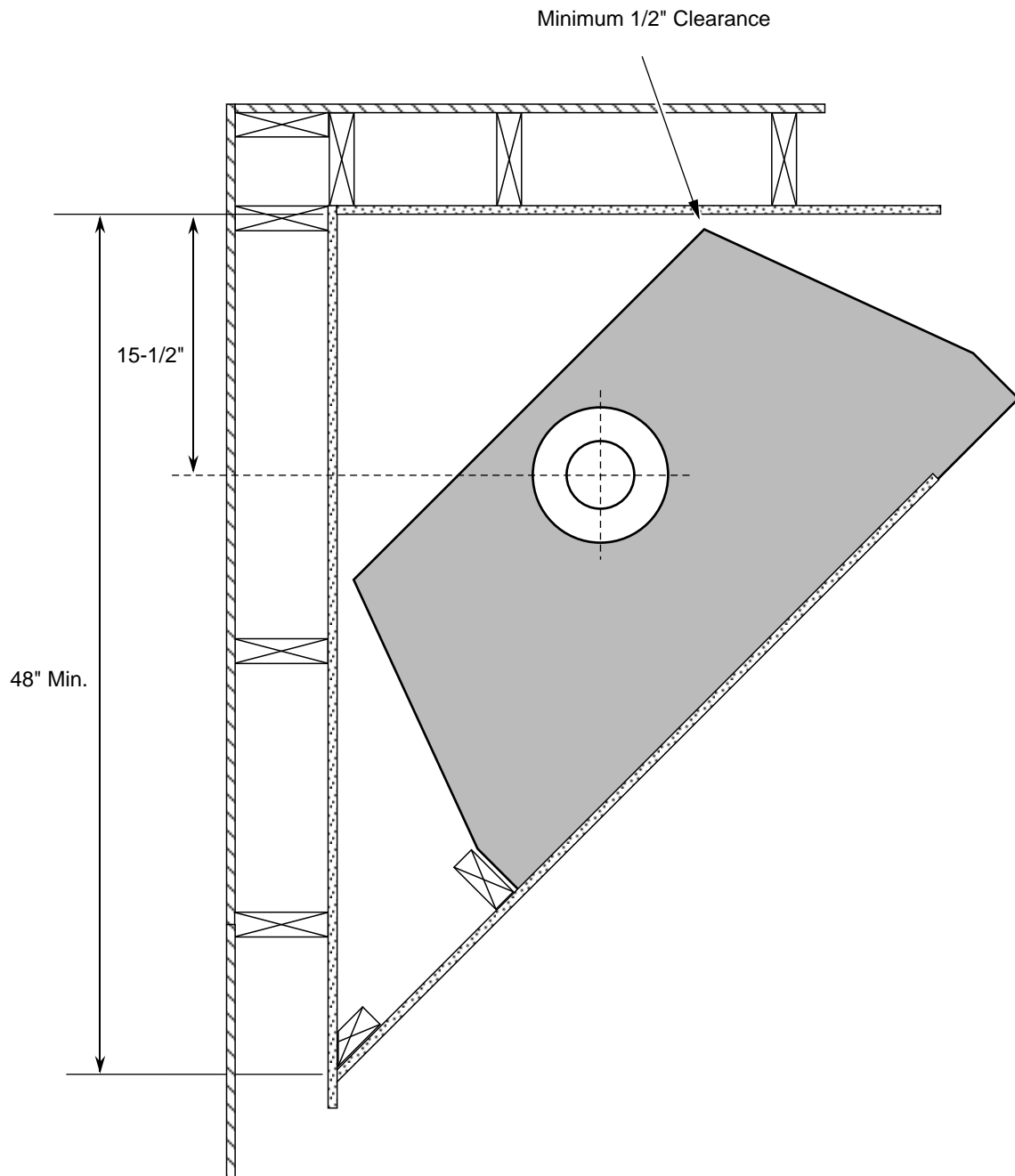
Corner Installations - Rear Vent Configuration

A typical 45° installation uses the framing dimensions shown in the illustration below (NOTE: all clearances still apply).



Corner Installations - Top Vent Configuration

A typical 45° installation uses the framing dimensions shown in the illustration below (NOTE: all clearances still apply).



Gas Line Requirements

MASSACHUSETTS INSTALLATIONS - **WARNING:**

THIS PRODUCT MUST BE INSTALLED BY A LICENSED PLUMBER OR GAS FITTER WHEN INSTALLED WITHIN THE COMMONWEALTH OF MASSACHUSETTS.

OTHER MASSACHUSETTS CODE REQUIREMENTS:

- Flexible connector must not be longer than 36 inches.
- Shutoff valve must be a "T" handle gas cock.
- Only direct vent sealed combustion products are approved for bedrooms or bathrooms.
- Fireplace dampers must be removed or welded in the open position prior to the installation of a fireplace insert or gas log.
- A carbon monoxide (CO) detector is required in the same room as the appliance.
- The gas line must be installed in accordance with all local codes, if any; if not, follow ANSI 223.1 and the requirements listed below.
- The fireplace and gas control valve must be disconnected from the gas supply piping during any pressure testing of that system at test pressures in excess of 1/2 psig. For pressures under 1/2 psig, isolate the gas supply piping by closing the manual shutoff valve.
- Leak test all gas line joints and the gas control valve prior to and after starting the fireplace.

Fuel

- This fireplace is designed either for natural gas or for propane (but not for both). Check the sticker on the top of the gas control valve to make sure the correct fuel is used.

Gas Line Connection

- Installation must be performed by a qualified installer, service agency or the gas supplier (In Massachusetts a licensed plumber/gasfitter).

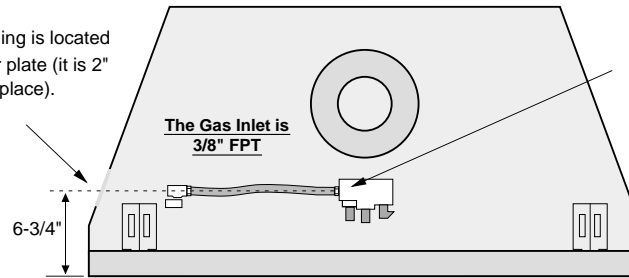
Gas Inlet Pressure	Standard Input Pressure	Minimum Input Pressure	Maximum Input Pressure
Natural Gas	7" W.C. (1.74 kPA)	3.5" W.C. (0.87 kPA)	13.85" W.C. (3.45 kPA)
Propane	13" W.C. (2.73 kPA)	8" W.C. (1.99 kPA)	14" W.C. (3.48 kPA)

- If the pressure is not sufficient, make sure the piping used is large enough, the supply regulator is adequately adjusted, and the total gas load for the residence does not exceed the amount supplied.
- The supply regulator (the regulator that attaches directly to the residence inlet or to the propane tank) should supply gas at the suggested input pressure listed above. Contact the local gas supplier if the regulator is at an improper pressure.

Gas Line Location

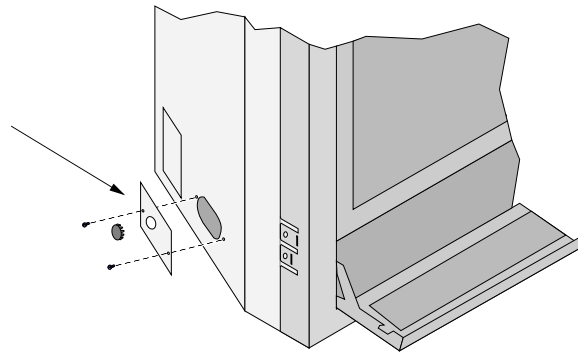
Left Side Gas Inlet (preferred)

A 2" high by 3" wide opening is located behind the gas inlet cover plate (it is 2" above the base of the fireplace).

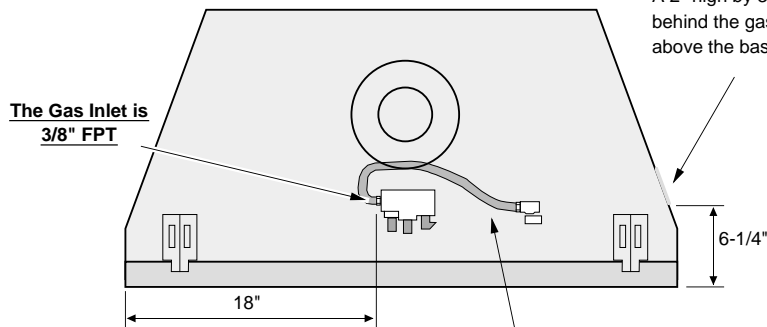


A 12" flex tube and shutoff valve is included with the fireplace. The shutoff valve accepts a 1/2" MPT.

You may remove this cover plate to install the gas line. The cover plate has a 7/8" diameter hole (covered with a push plug). By rotating the plate 180° the hole may be re-located. You may also secure the plate in a customized location using the self-drilling screws.

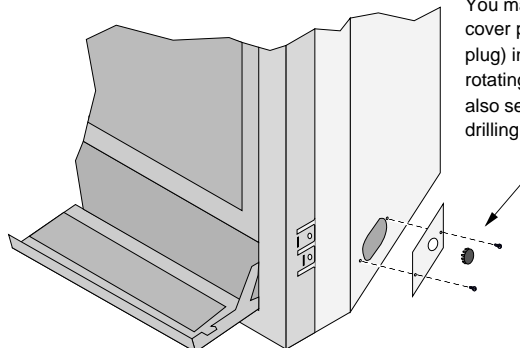
Right Side Gas Inlet

A 2" high by 3" wide opening is located behind the gas inlet cover plate (it is 1-3/8" above the base of the fireplace).



A 12" flex tube and shutoff valve is included with the fireplace. The shutoff valve accepts a 1/2" MPT.

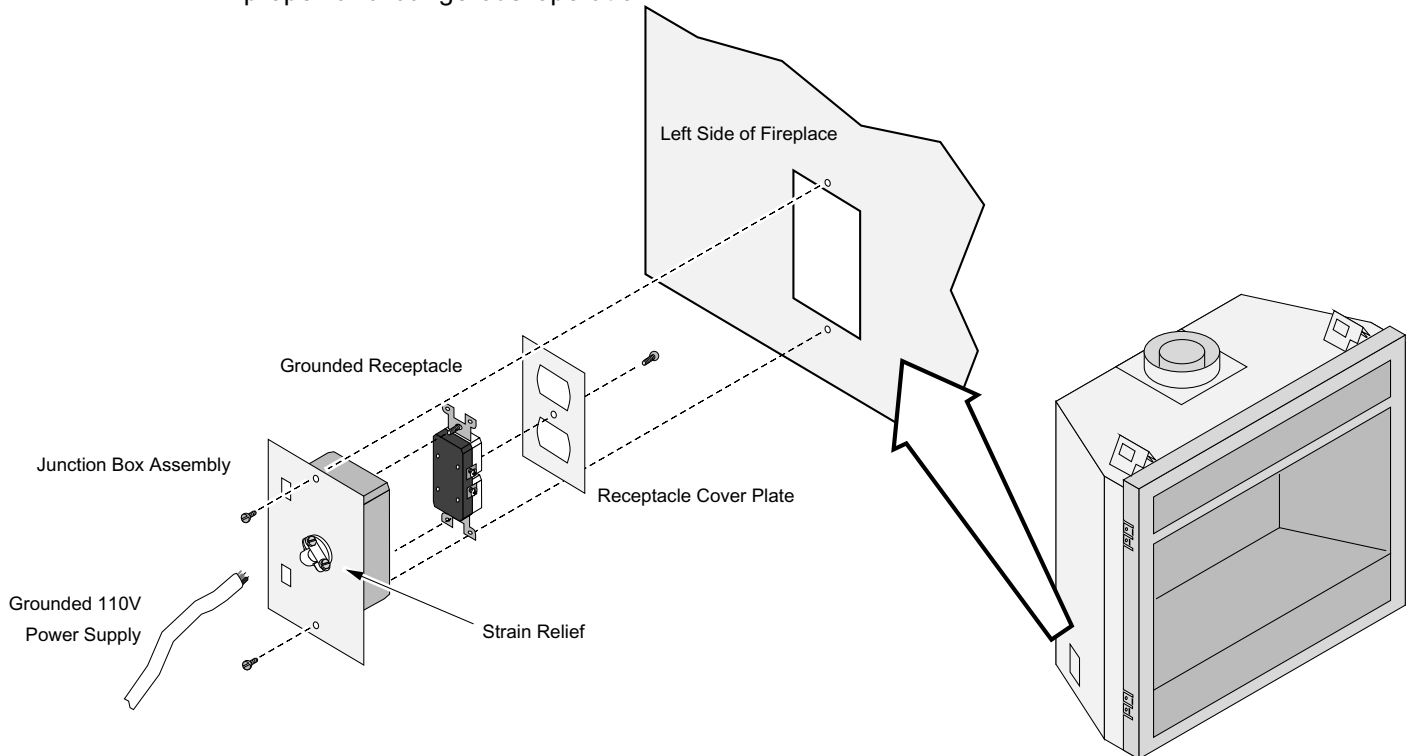
You may remove this cover plate to install the gas line. The cover plate has a 7/8" diameter hole (covered with a push plug) in line with the gas inlet on the gas control valve. By rotating the plate 180° the hole may be re-located. You may also secure the plate in a customized location using the self-drilling screws.



Electrical Connection (required)

- The electrical line to the grounded receptacle inside the fireplace must be installed by a qualified installer and must meet all local codes.
- Make sure the household breaker is shut off prior to working on any electrical lines.
- The fireplace must be properly grounded in accordance with local codes (or ANSI/NFPA 70-1987)
- The electrical line must be a min. 14 gauge, and supply 120 Volts at 60 Hz (2 Amps)

Caution: Label all wires prior to disconnection when servicing controls. Wiring errors can cause improper and dangerous operation.



Wall Switch or Thermostat Installation

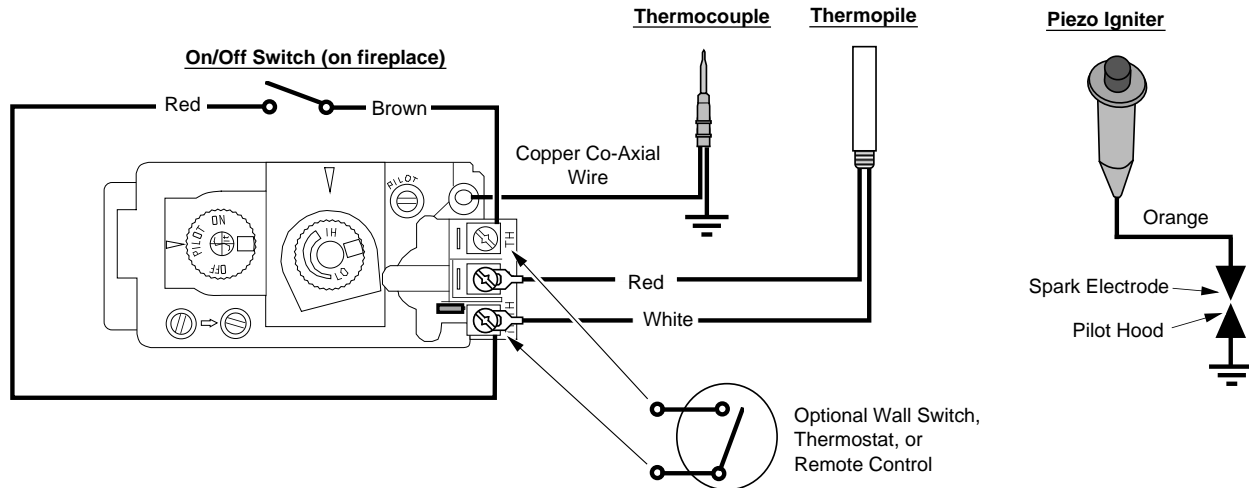
Wiring Diagram (Millivolt System)



Do not connect 110-120 VAC to the gas control valve or wiring system of this fireplace. The switch must be installed by a qualified installer.

The included wall switch may be installed following the directions below. An optional thermostat may also be installed. It is attached to the gas control valve in the same manner.

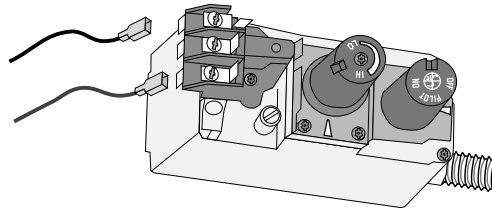
Caution: Label all wires prior to disconnection when servicing controls. Wiring errors can cause improper and dangerous operation.



Wall Switch Installation

1. Attach the included wire to the gas control valve.

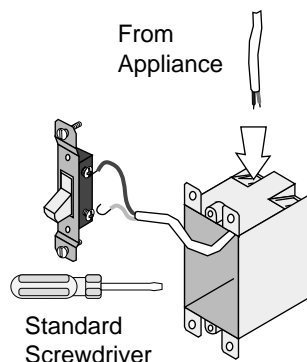
Attach the two wires to the top and bottom posts on the gas control valve (orientation does not matter).



2. Determine a location for the wall switch (the wire is a maximum 25' long). Route the wire through the gas inlet hole (either side) to the junction box and attach following the directions below. Set the on/off switch on the appliance to "OFF" to control the appliance with the wall switch.

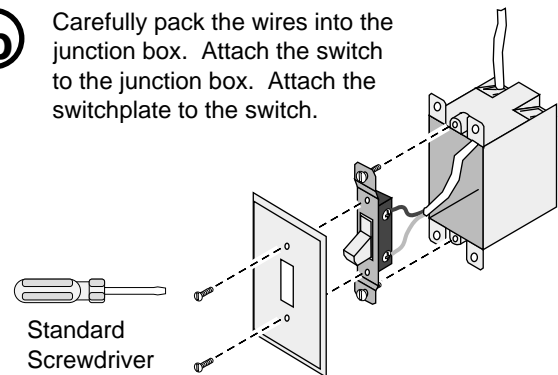
a

Insert the wire through the back of the mounted junction box (your junction box may look different). Expose 1/2" of each wire. Secure the wires to the posts on the side of the on/off switch (orientation does not matter).



b

Carefully pack the wires into the junction box. Attach the switch to the junction box. Attach the switchplate to the switch.



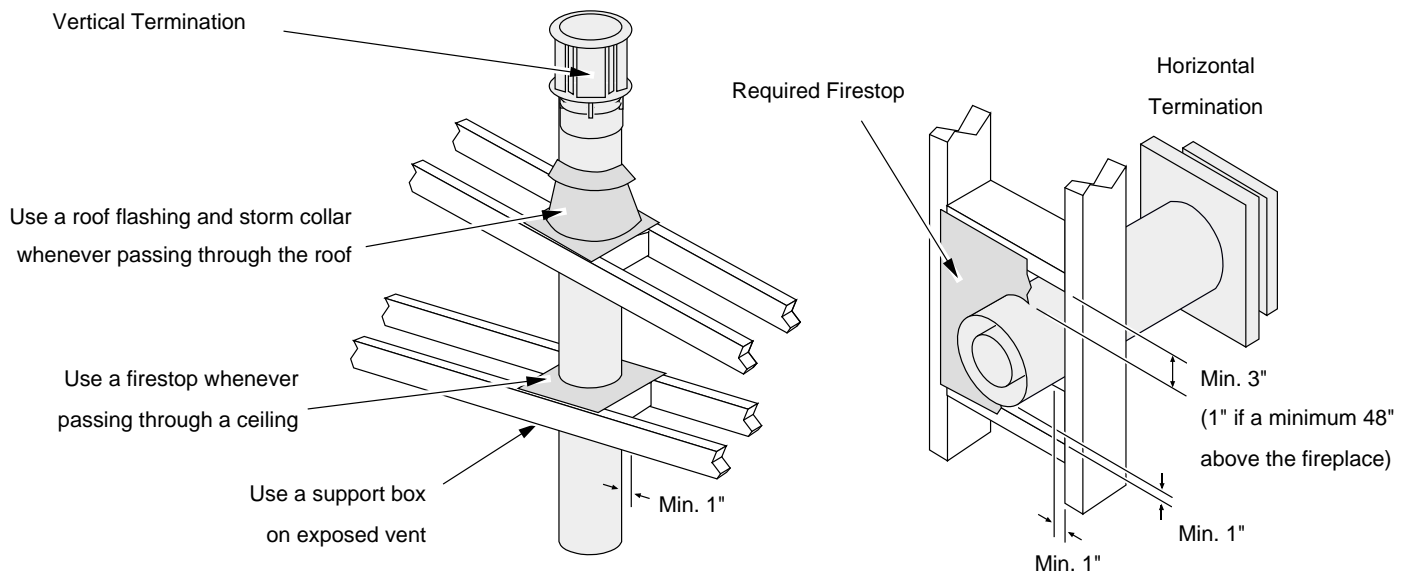
Vent Requirements

- The gas appliance and vent system must be vented directly to the outside of the building, and never be attached to a chimney serving a separate solid fuel or gas-burning appliance. Each direct vent gas appliance must use its own separate vent system.
- In addition to the requirements listed here, follow the requirements provided with the vent.
- A firestop is required whenever the vent penetrates a wall, floor, or ceiling (passes through framing members). Horizontal vent less than 48" above the fireplace must use the Travis Firestop (sku 93006094 - it incorporates a 3" clearance above, 1" clearance below and to the sides of the vent). Other penetrations only require a 1" clearance and may use a standard firestop (make sure the required 1" clearance is met).
- Always use the high-wind termination (if available from the vent manufacturer).

Vent Clearances

- The vent must maintain the required clearance to combustibles to prevent a fire. Do not fill air spaces with insulation.

	Before 48" Rise	After 48" Rise
Sides	1"	1"
Above	3"	1"
Below Horizontal or 45° Section	1"	1"

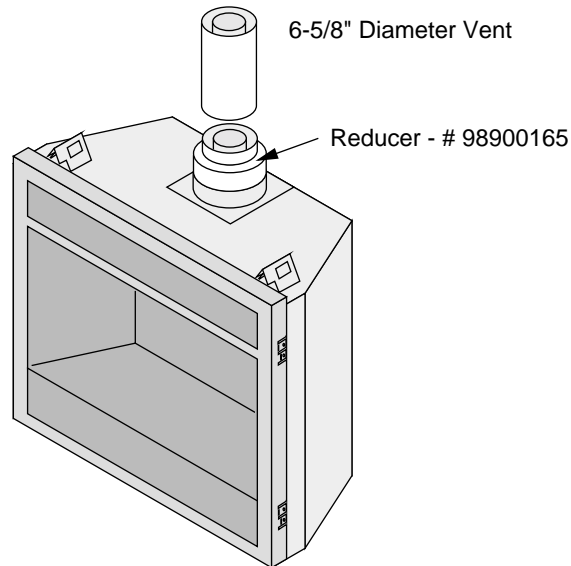


Altitude Considerations

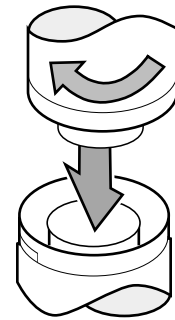
- This heater has been tested at altitudes ranging from sea level to 6,000 feet. In this testing we have found that the heater, with its standard orifice, burns correctly with just an air shutter adjustment.
- Failure to adjust the air shutter properly may lead to improper combustion which can create a safety hazard. Consult your dealer or installer if you suspect an improperly adjusted air shutter.

Approved Vent

- Rear vent configurations use 8" diameter Simpson Dura-Vent Model GS vent.
- Top vent configurations use 8" or 6-5/8" diameter Simpson Dura-Vent Model GS vent. If using 6-5/8" diameter vent, attach the 8" to 6-5/8" reducer (Travis part # 98900165) to the fireplace.

**Vent Installation**

- Slide the vent sections together and turn 1/4 turn until the sections lock in place.
- Screws are not required to secure the vent. However, three screws may be used to secure vent sections together if desired.
- High temperature sealant is recommended at the appliance starter section connection (use high-temperature silicone or Mill-Pac®).
- If disassembly is required, at time of re-assembly check to see if the vent creates a tight fit. If it does not, apply high temperature sealant to the joints of the affected sections.
- Horizontal sections require a 1/4" rise every 12" of travel
- Horizontal sections require non-combustible support every three feet (e.g.: plumbing tape)



Approved Vent Configurations

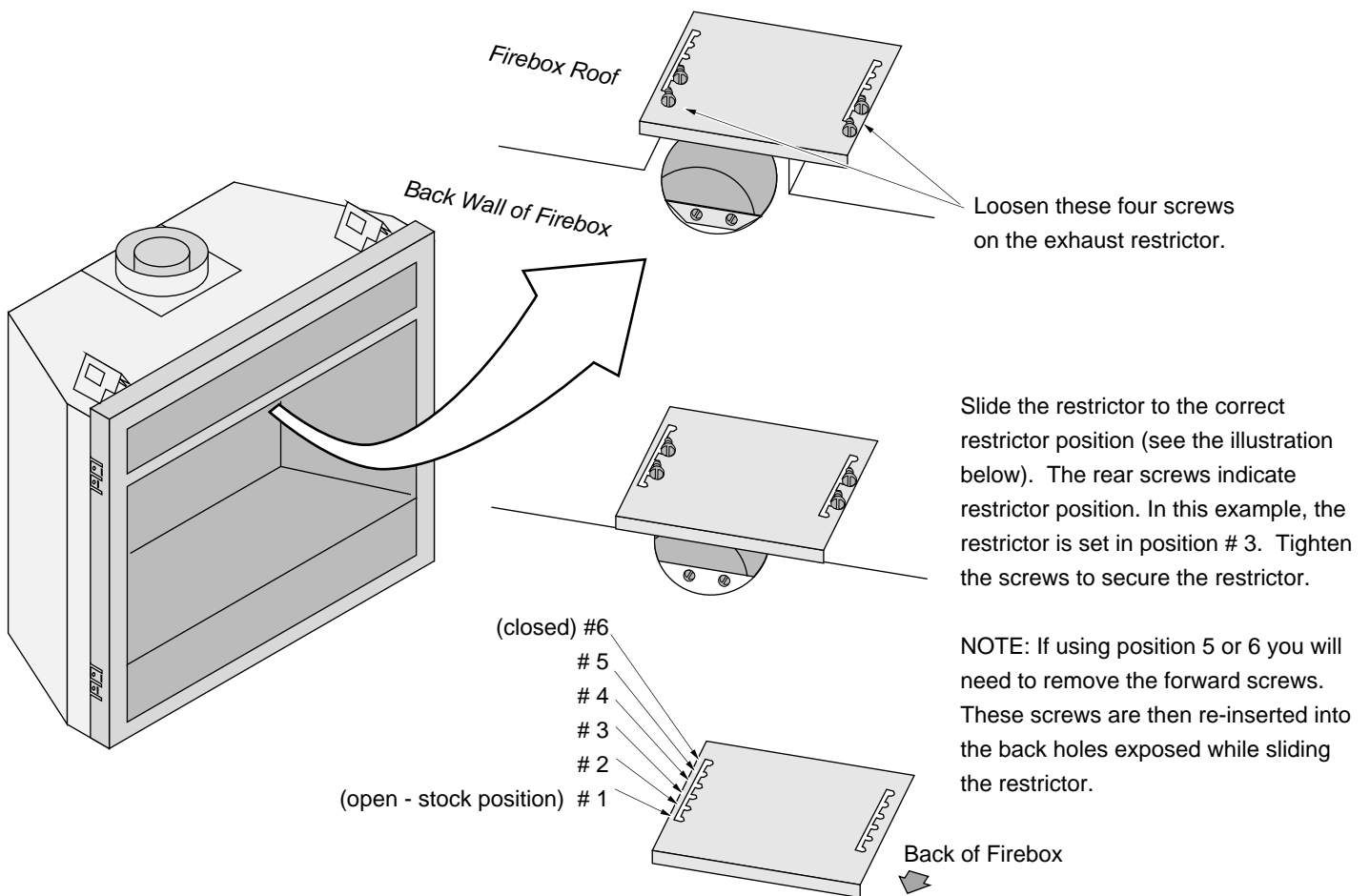
Restrictor Position

- Intake and exhaust restrictors are built into the appliance to adjust the flow rate of intake air and exhaust gases. Depending upon the vent configuration, you may be required to adjust the restrictor positions. The charts for acceptable vent configurations detail the correct vent restrictor positions.

Exhaust Restrictor Adjustment



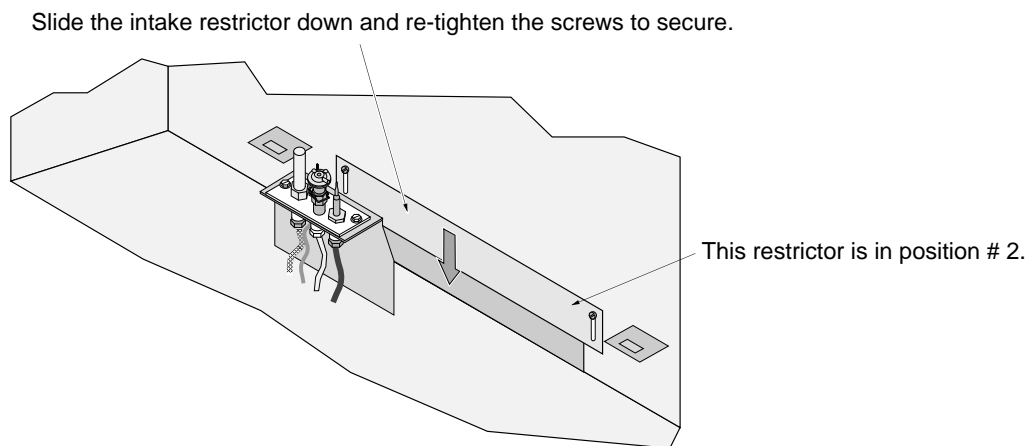
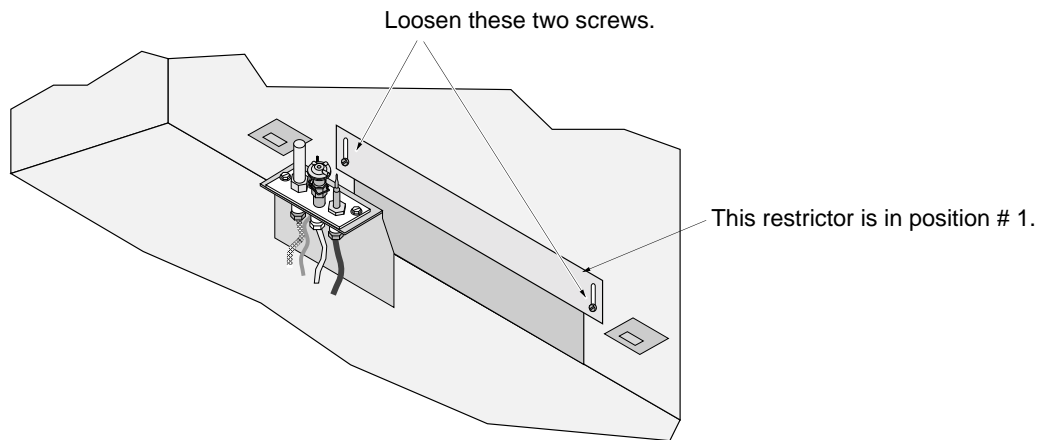
If the diffuser is required to be in position # 2, you may wish to adjust the diffuser while the exhaust restrictor is removed.



Intake Restrictor Adjustment

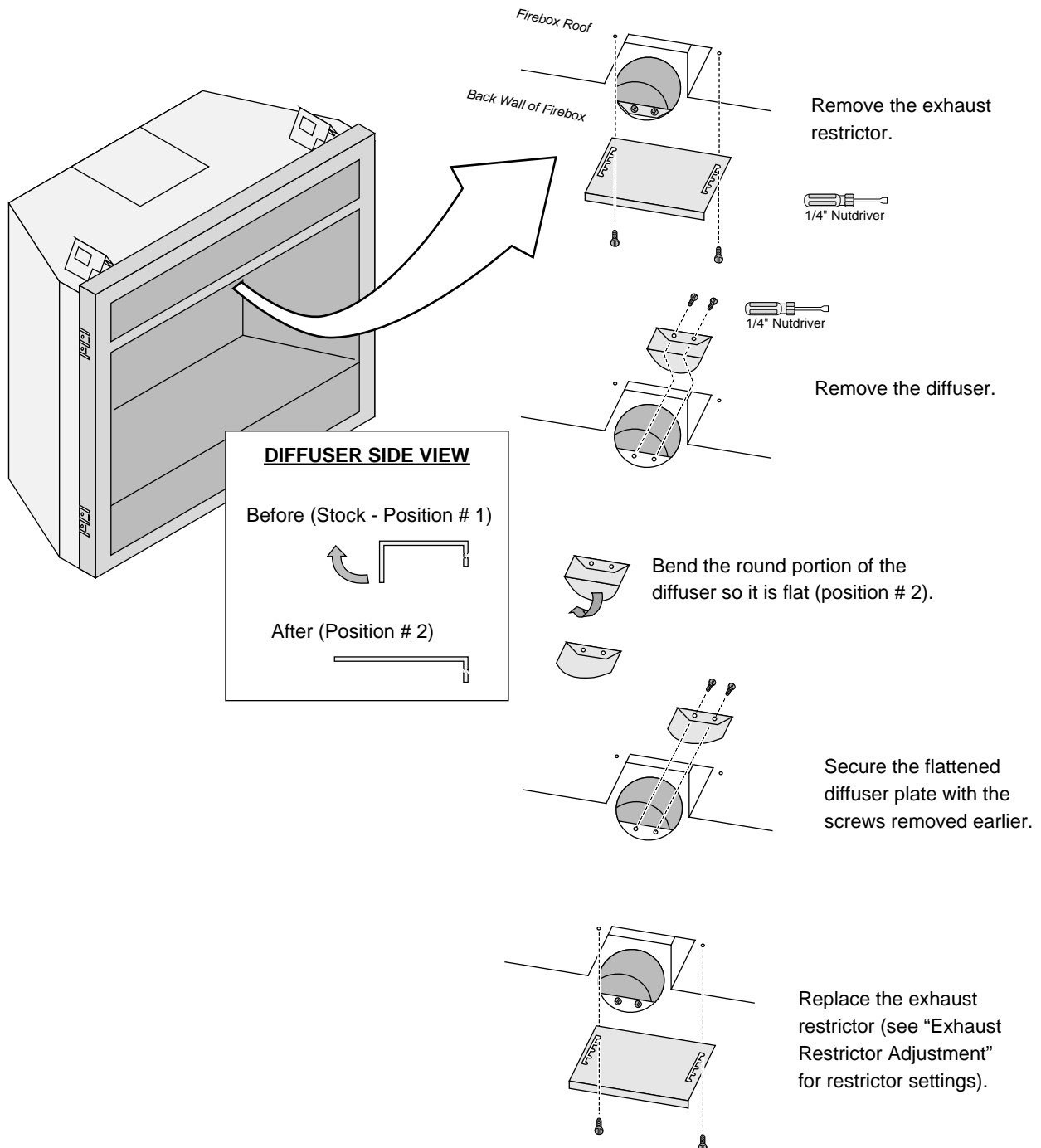
The intake restrictor is shipped in position # 1 (open). To adjust the restrictor to position # 2 (closed), follow the instructions below.

NOTE: The intake restrictor is accessed with the burner removed (see page 52).



Diffuser Plate Adjustment

Certain vent configurations require the diffuser plate to be adjusted (refer to the approved vent configuration charts for details). Position # 1 is stock (bent). Position # 2 is flattened. See the directions below to change the diffuser to position #2.

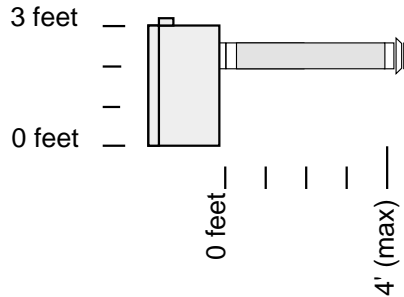


Rear Vent Configuration with Horizontal Termination (no vertical rise)

- The termination must fall within the shaded area shown in the chart. Use the indicated restrictor and diffuser positions.

HINT: Travis Industries provides a minimum rear vent kit (sku 98900168). It includes a 4" section and a horizontal termination cap.

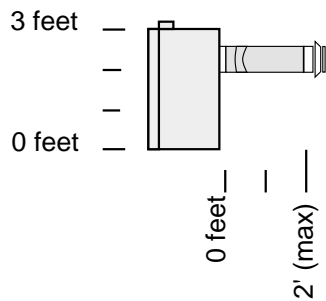
Vent with No 45° Elbow



- Exhaust Restrictor Removed
- Intake Restrictor # 1 (stock)
- Diffuser Position # 1 (stock)

- Min. 4" Horizontal Section
- Max. 48" Horizontal Section(s)

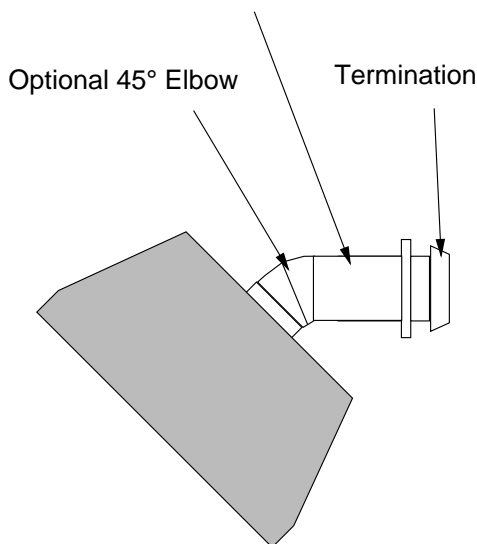
Vent with 1 45° Elbow



- Exhaust Restrictor Removed
- Intake Restrictor # 1 (stock)
- Diffuser Position # 1 (stock)

- Min. 4" Horizontal Section
- Max. 24" Horizontal Section(s)

See the charts above to determine maximum vent

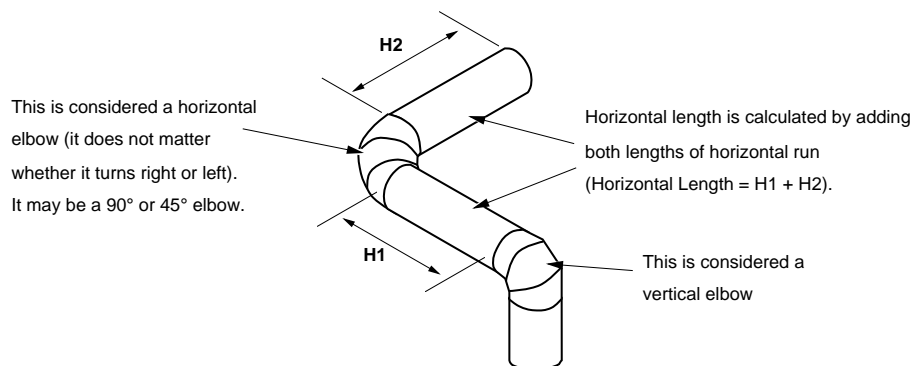
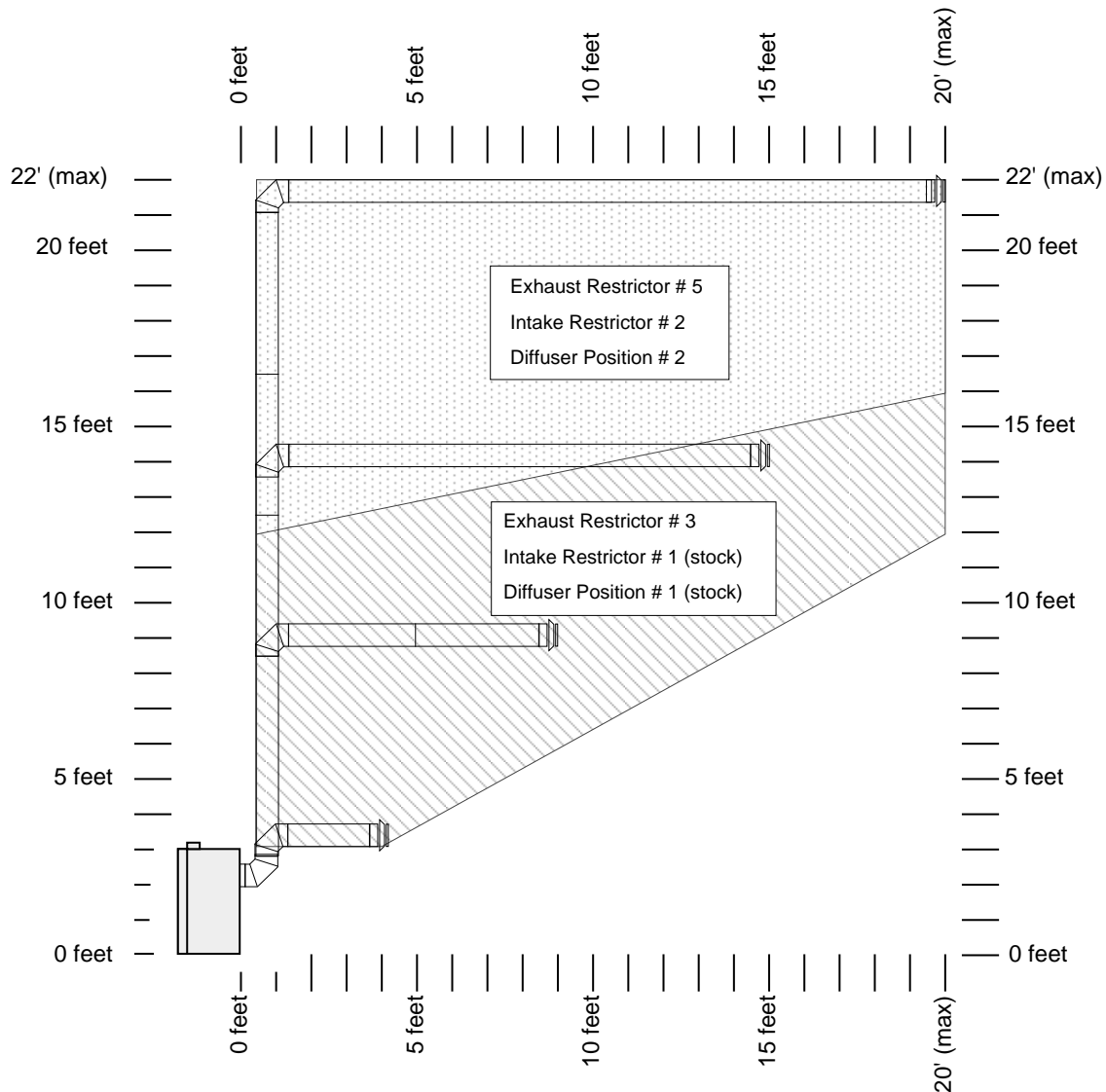


EXHAUST RESTRICTOR REMOVAL

If venting to the rear with no vertical sections, remove and discard the exhaust restrictor. Replace the screws in the same holes.

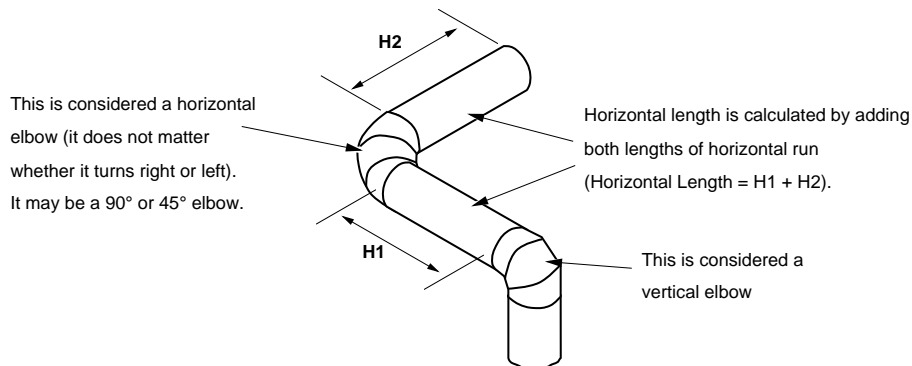
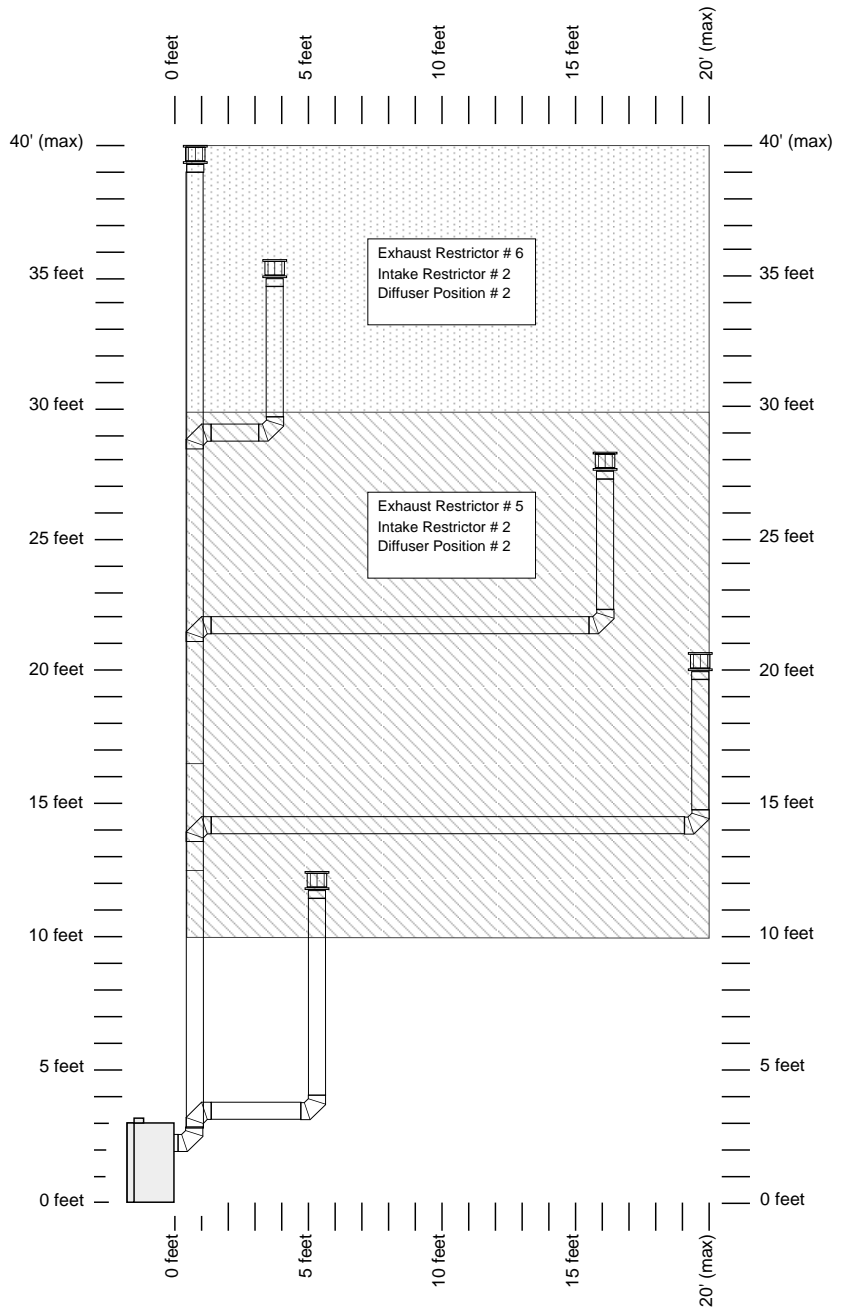
Rear Vent Configuration with Horizontal Termination (with vertical rise)

- The termination must fall within the shaded area shown in the chart. Use the indicated restrictor and diffuser positions.
- Up to four elbows (45° or 90°) may be used.
- Only one horizontal elbow may be used.



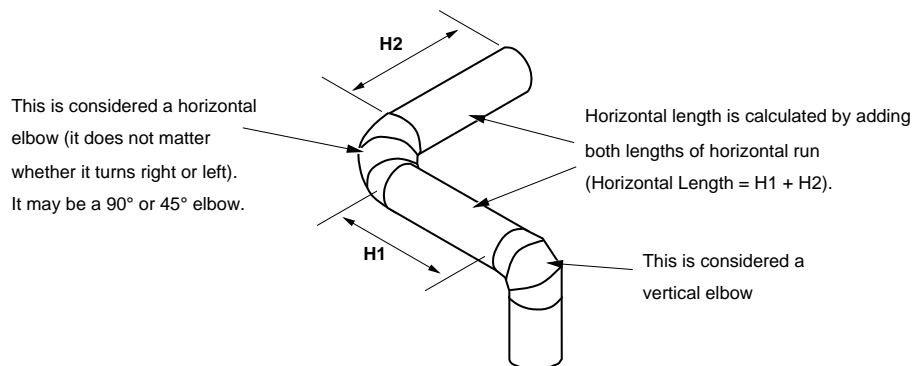
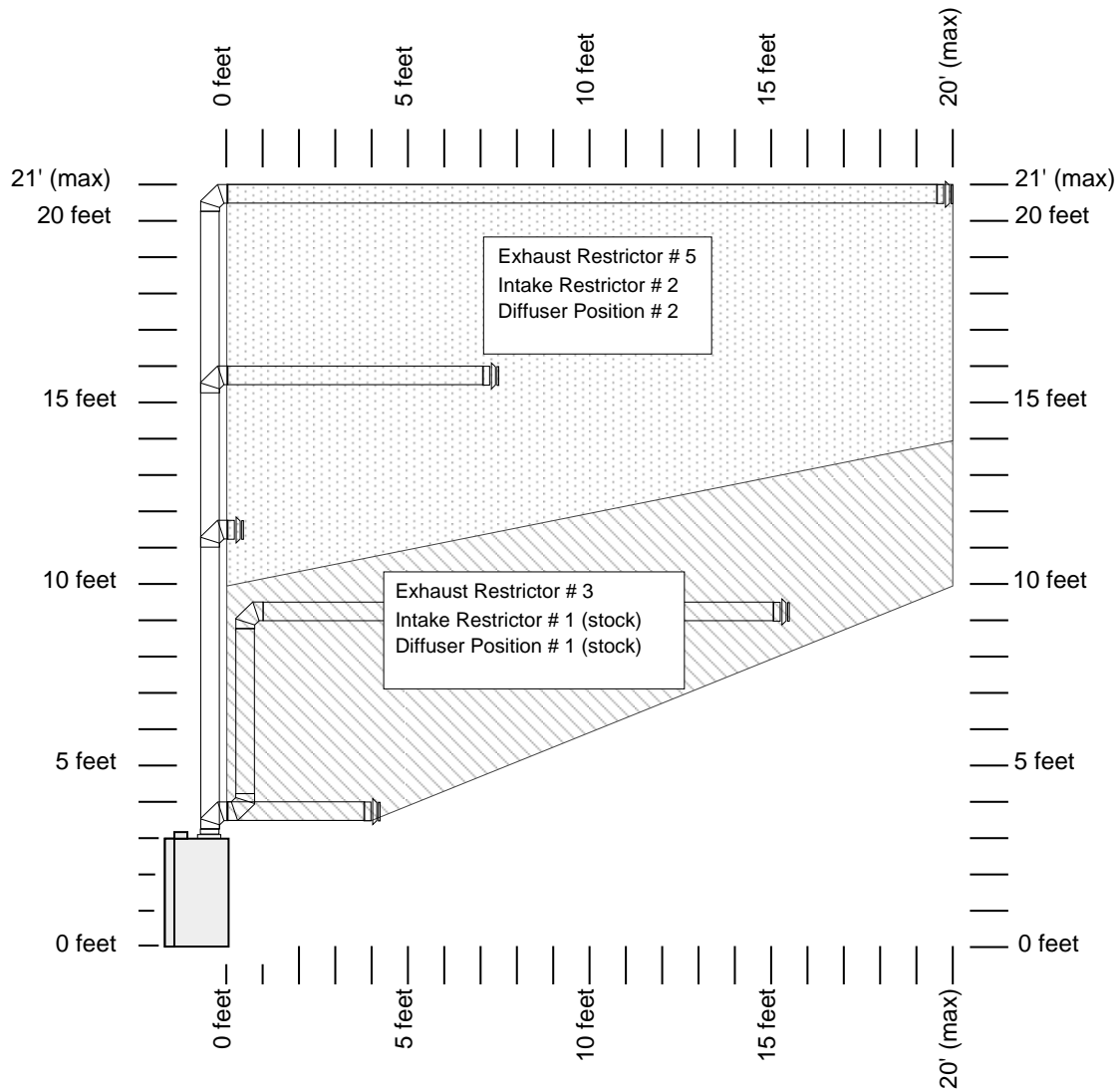
Rear Vent Configuration with Vertical Termination

- The termination must fall within the shaded area shown in the chart. Use the indicated restrictor and diffuser positions.
- Up to four elbows (45° or 90°) may be used.
- Only one horizontal elbow may be used.



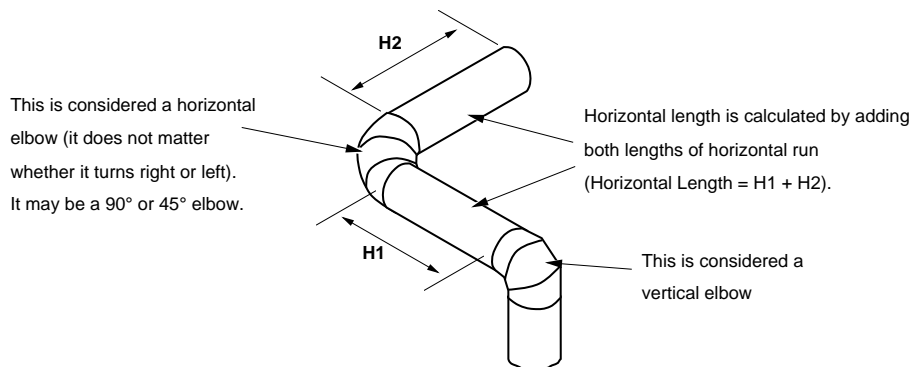
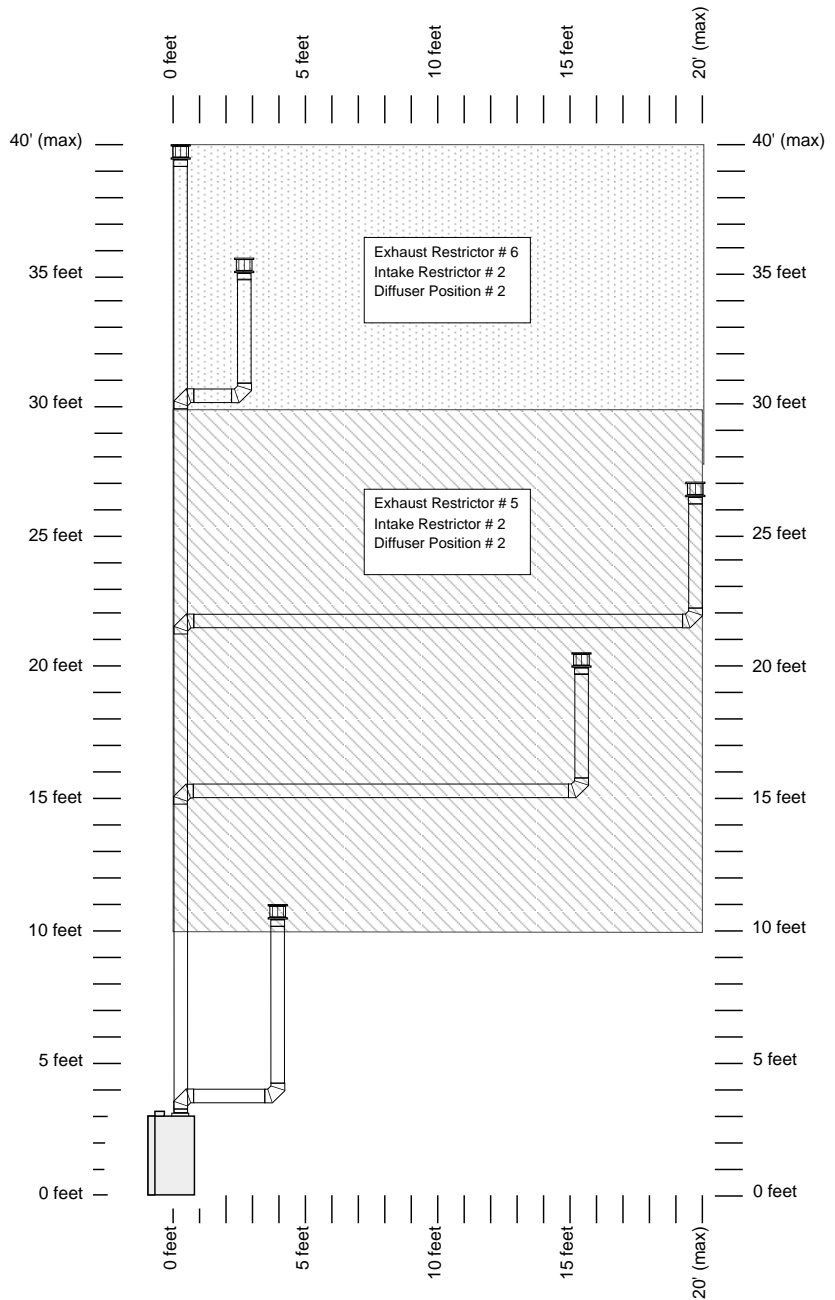
Top Vent Configuration with Horizontal Termination

- The termination must fall within the shaded area shown in the chart. Use the indicated restrictor and diffuser positions.
- Up to four elbows (45° or 90°) may be used.
- May use 8" or 6-5/8" diameter vent (see page for 21 details).
- Only one horizontal elbow may be used.



Top Vent Configuration with Vertical Termination

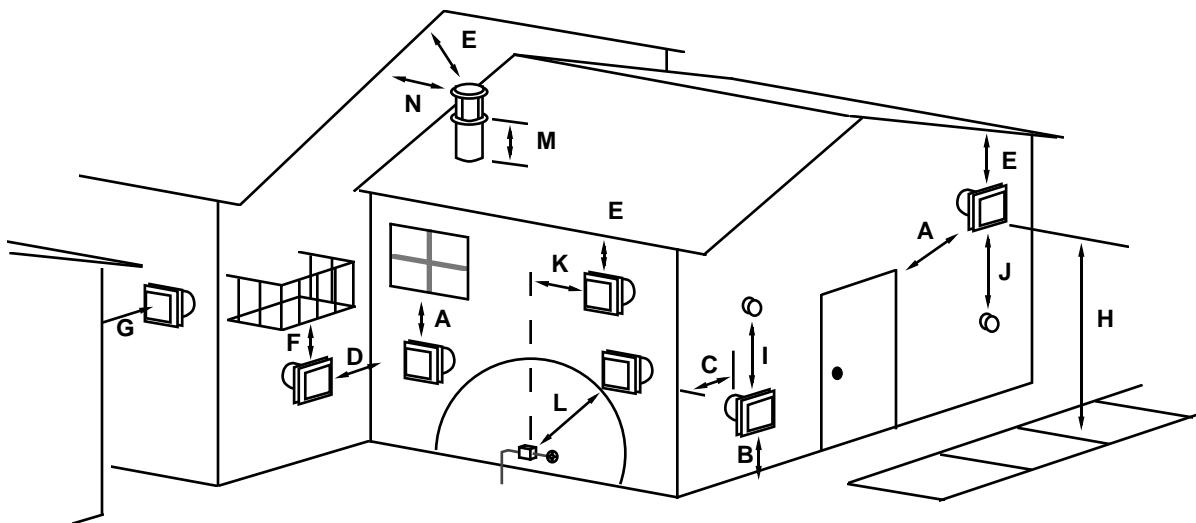
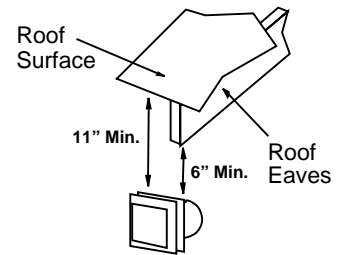
- The termination must fall within the shaded area shown in the chart. Use the indicated restrictor and diffuser positions.
- Up to four elbows (45° or 90°) may be used.
- Only one horizontal elbow may be used.
- May use 8" or 6-5/8" diameter vent (see page for 21 details).



Termination Requirements

! Venting terminals shall not be recessed into a wall or siding.

- A Minimum 9" clearance from any door or window
- B Minimum 12" above any grade, veranda, porch, deck or balcony
- C Minimum 1" from outside corner walls
NOTE: Clearance in accordance with local installation codes and the requirements of the gas supplier.
- D Minimum 12" from inside corner walls
NOTE: Clearance in accordance with local installation codes and the requirements of the gas supplier.
- E Minimum 11" clearance below unventilated soffits or roof surfaces
Minimum 18" clearance below ventilated soffits
Minimum 6" clearance below roof eaves
NOTE: Vinyl surfaces require 24"
NOTE: Clearance in accordance with local installation codes and the requirements of the gas supplier.
- F Minimum 12" clearance below a veranda, porch, deck or balcony
NOTE: Permitted only if veranda, porch, deck, or balcony is fully open on a minimum of two sides beneath the floor.
NOTE: Clearance in accordance with local installation codes and the requirements of the gas supplier.
- G Minimum 48" clearance from any adjacent building
- H Minimum 84" clearance above any grade when adjacent to public walkways or driveways
NOTE: may not be used over a walkway or driveway shared by an adjacent building
- I Minimum 9" clearance to any nonmechanical air supply inlet to the building or the combustion air inlet to any other appliance.
- J Minimum 36" clearance above any mechanical air supply inlet if within 10' horizontally
- K Minimum 36" from the area above the meter/regulator (vent outlet)
NOTE: Clearance in accordance with local installation codes and the requirements of the gas supplier.
- L Minimum 36" from the meter/regulator (vent outlet)
NOTE: Clearance in accordance with local installation codes and the requirements of the gas supplier.
- M Minimum 12" above the roof line (for vertical terminations)
- N Minimum 24" horizontal clearance to any surface (such as an exterior wall) – for vertical terminations

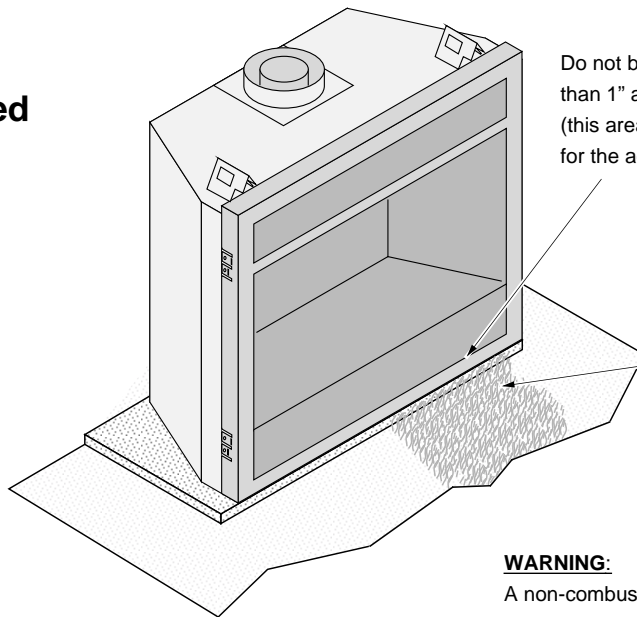


NOTE: Measure clearances to the nearest edge of the exhaust hood.

- Use the vinyl siding standoff when installing on an exterior with vinyl siding.
- Vent termination must not be located where it will become plugged by snow or other material

Hearth Requirements

Floor Mounted Fireplaces



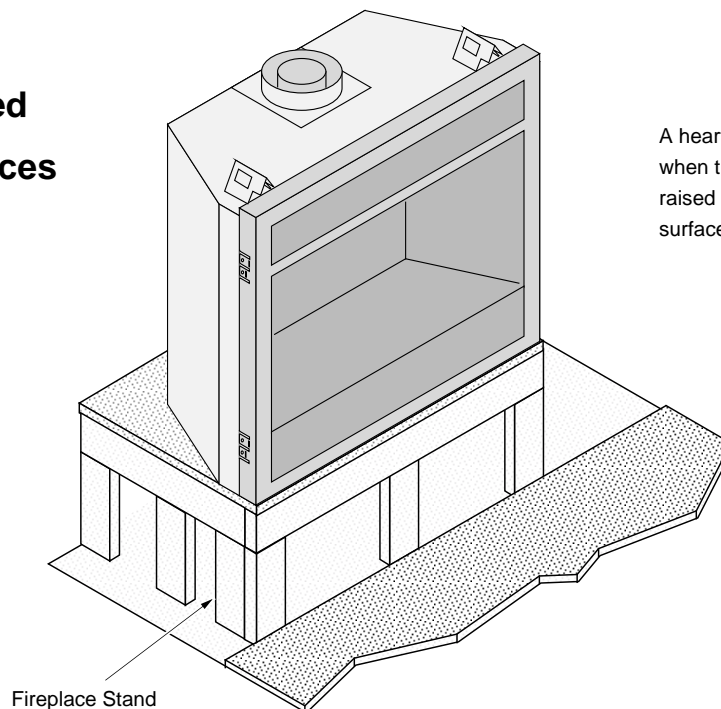
Do not build a hearth more than 1" above the baseplate (this area must remain clear for the access door).

If installed near carpet or other combustible flooring, the fireplace must be raised so the base of the unit is above the carpet surface or flooring material.

WARNING:

A non-combustible hearth is not required. However, if the heater is installed next to the floor, we recommend a hearth to protect the flooring surface from discoloration or other negative impact from the heater.

Raised Fireplaces



A hearth is not required when the fireplace is raised above the flooring surface.

Facing Requirements

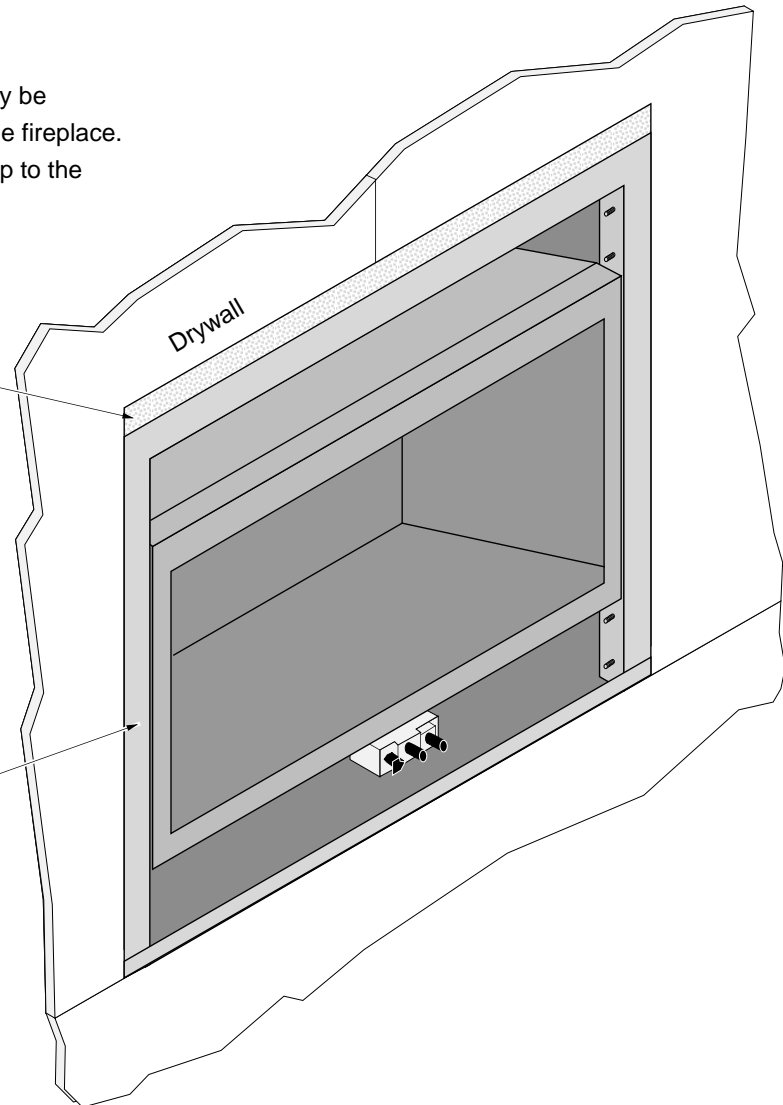
- This appliance is designed to allow for drywall (or other combustible facing) to contact the sides and top of the front of the fireplace.
- Non-combustible facing (tile, masonry, etc.) must be placed over the fiber board on the front of the fireplace (see "Facing Overview" on page 34 for further details).

Drywall Installation

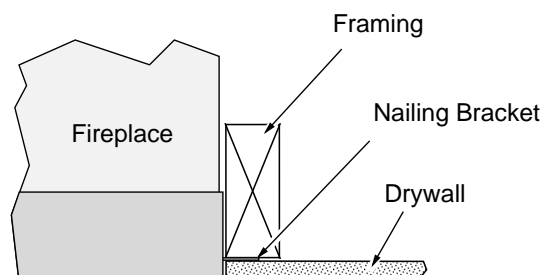
Drywall Installation Drywall may be installed up to the front edge of the fireplace. If the fireplace is raised, drywall up to the bottom edge as well.

The non-combustible fiber board must remain in place above the fireplace. Non-combustible facing (tile, masonry, etc.) must be placed over the fiber board.

Do not install drywall (or any other combustible) in front of the fireplace.



TOP VIEW



Facing Overview



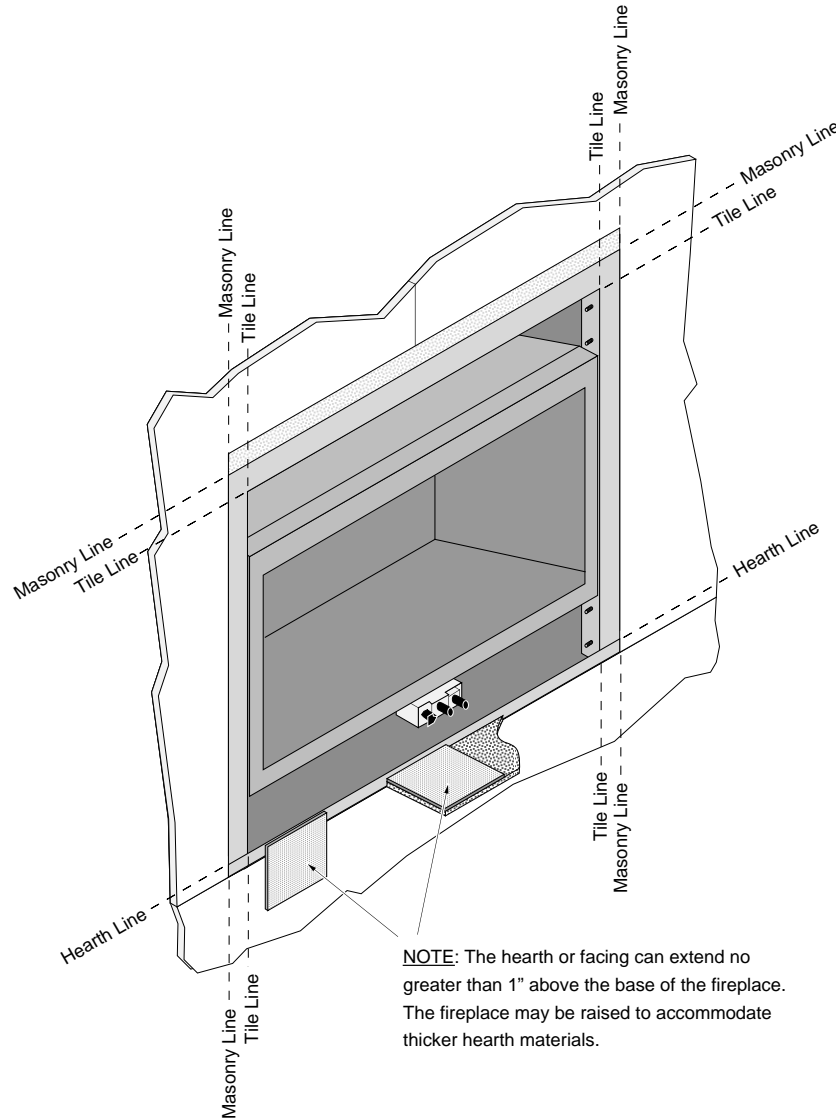
Upgrade faces are available for this fireplace and may influence facing installation. Consult with your Travis Dealer if you are using an upgrade face.

Optional non-combustible facing may be installed on the fireplace. Use the guidelines below to determine the location (also see the following pages for detailed diagrams).

Tile Line Any non-combustible facing under 1" thick (see "Thin Facing" on page 35).

Masonry Line Any non-combustible over 1" thick (see "Thick Facing" on page 37).

Hearth Line Non-combustible hearth/facing should be installed up to this location (1" above the base of the fireplace). The fireplace may be raised to accommodate thicker hearth materials.



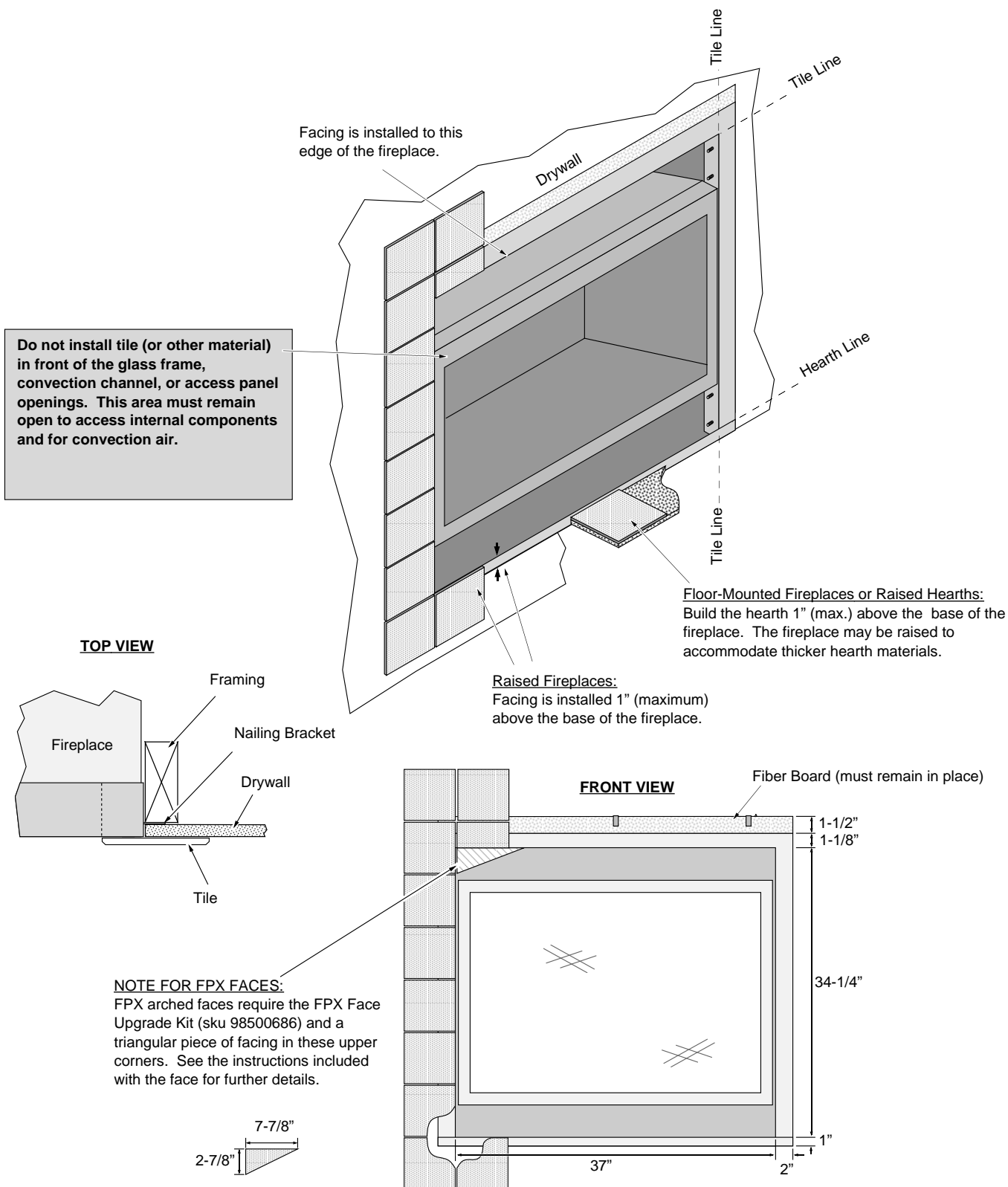
Optional Faceplates – Sizing Chart

Name	Height	Width	Notes
FPX Artisan, Classic, Fr Ctry	35-3/4"	41"	45-3/4" Radius – May fit over top of tile facing
Winthrop Victorian Lace	34-1/8"	36-7/8"	Optional facing will butte to edge of faceplate (tile line)
Wilmington Hearthview	35-3/4"	41"	May fit over top of tile facing
Winthrop Bungalow	34"	36-7/8"	Optional facing will butte to edge of faceplate (tile line)

Thin Facing Installation (tile, marble, or other non-combustible under 1" thick)

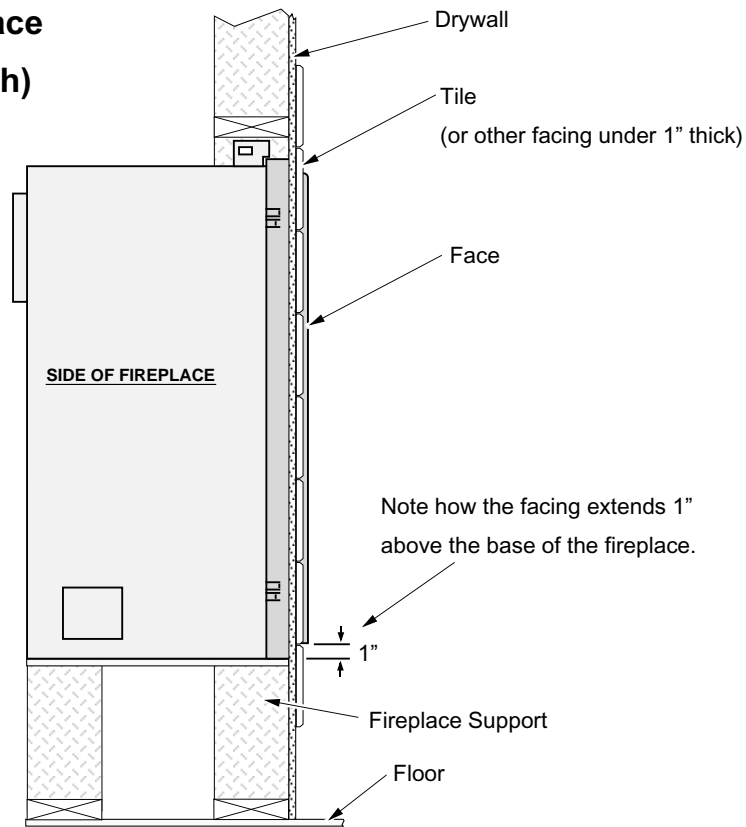


Upgrade faces are available for this fireplace and may influence facing installation. Consult with your Travis Dealer if you are using an upgrade face.

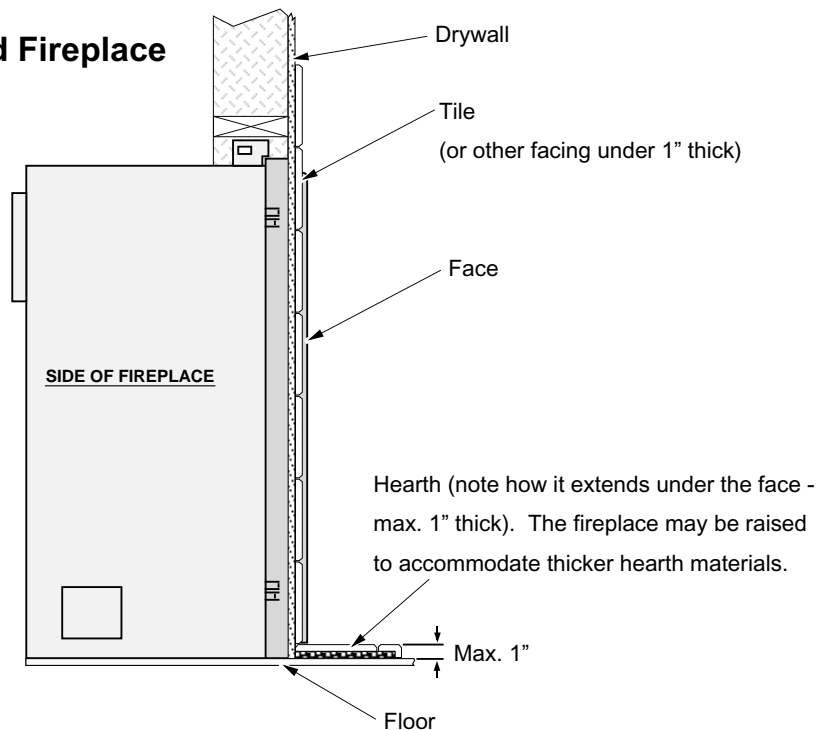


Thin Facing Installation (tile, marble, under 1" thick) - Side View

**Raised Fireplace
(with no Hearth)**



**Floor-Mounted Fireplace
with Hearth**

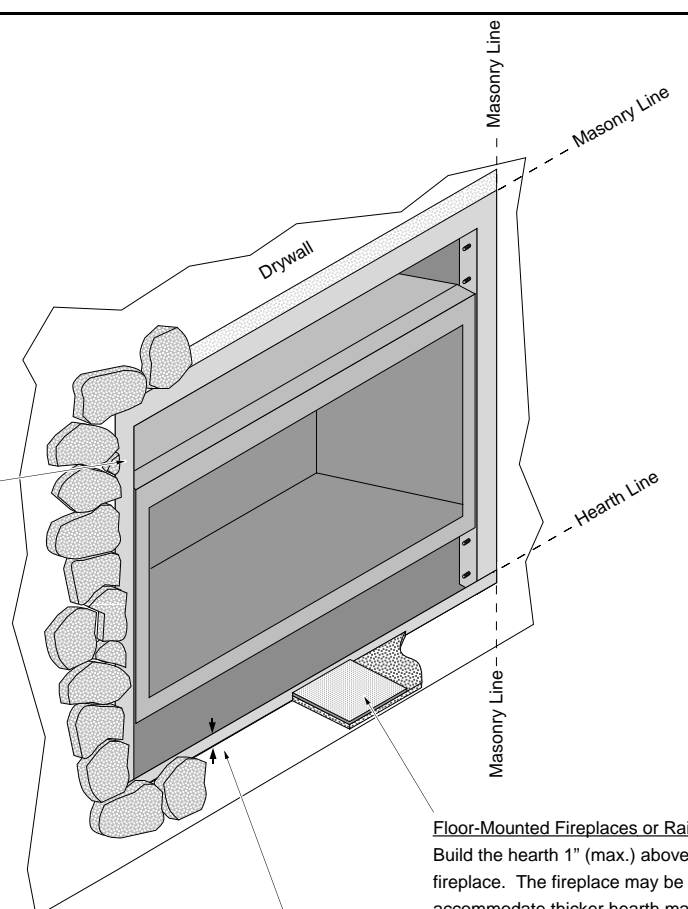


Thick Facing Installation (stone, brick, or other non-combustible over 1" thick)

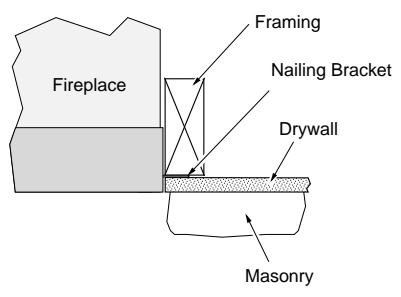


If using a Fireplace Xtordinaire (FPX) arched face, see "Thick Facing with a Fireplace Xtordinaire Arched Faces" on page 38.

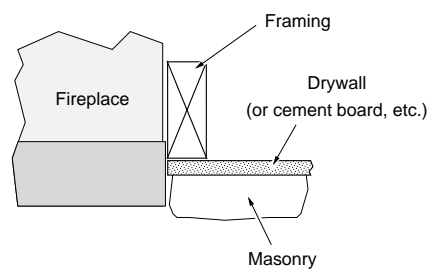
Do not install masonry (or other material) in front of the fireplace. This area must remain open to install the face.



TOP VIEW - Protruding Masonry



TOP VIEW - Recessed Masonry

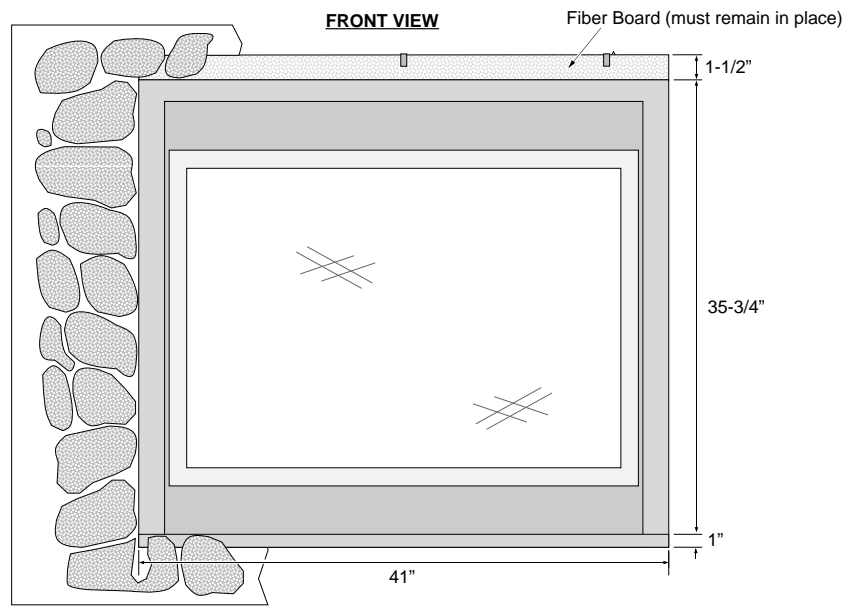


NOTE: The nailing brackets are not used for this type of installation - secure the fireplace to the floor with the brackets along the base of the fireplace.

Floor-Mounted Fireplaces or Raised Hearths:
Build the hearth 1" (max.) above the base of the fireplace. The fireplace may be raised to accommodate thicker hearth materials.

Raised Fireplaces:
Masonry is installed 1" (maximum) above the base of the fireplace.

FRONT VIEW

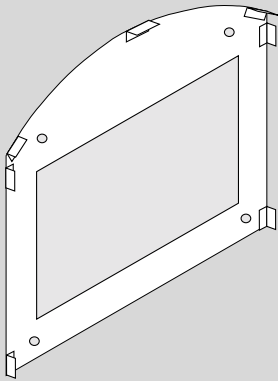


Thick Facing with Fireplace Xtrordinaire (FPX) Arched Faces

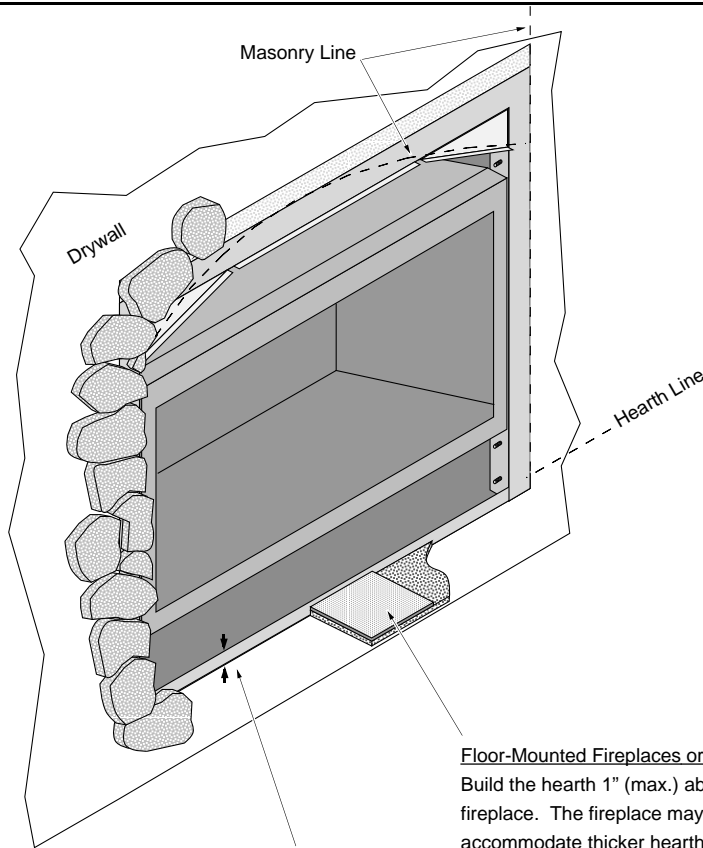
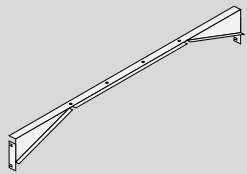


The following illustration shows facing considerations for those fireplaces utilizing FPX arched faces. The facing must be non-combustible and over 1" in depth.

The Fireplace Xtrordinaire 864 Masonry Template is recommended for masonry installation (sku 98500688). The template helps locate and support the masonry as it being installed.



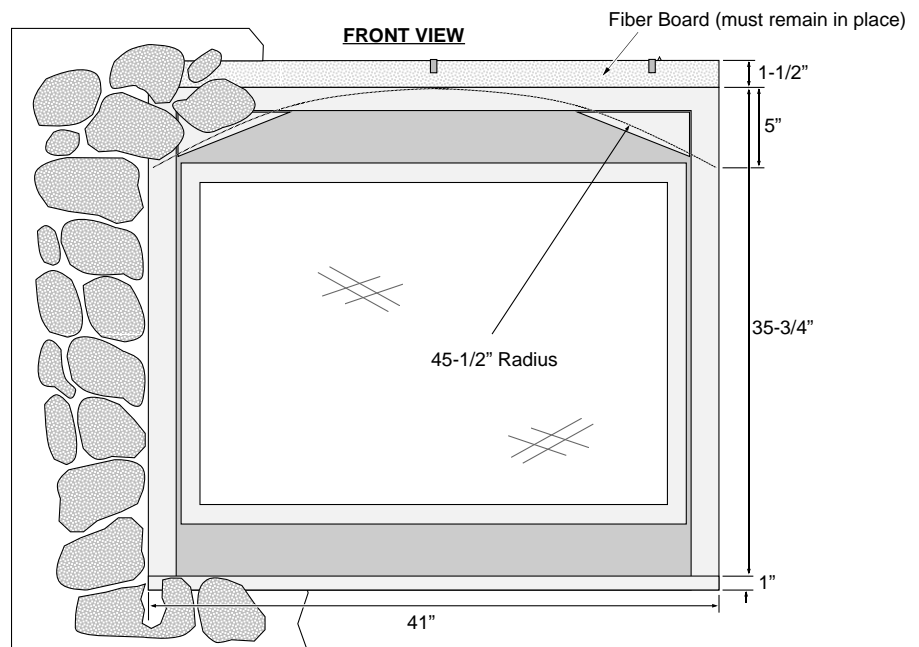
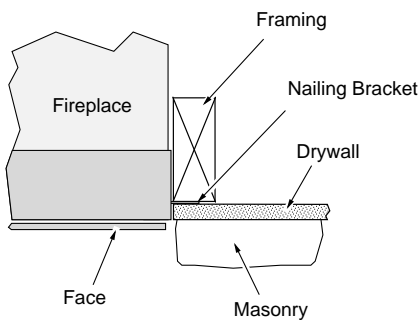
Before installing masonry, install the FPX Face Upgrade Kit (98500686). This covers the upper corners.



Floor-Mounted Fireplaces or Raised Hearths:
Build the hearth 1" (max.) above the base of the fireplace. The fireplace may be raised to accommodate thicker hearth materials.

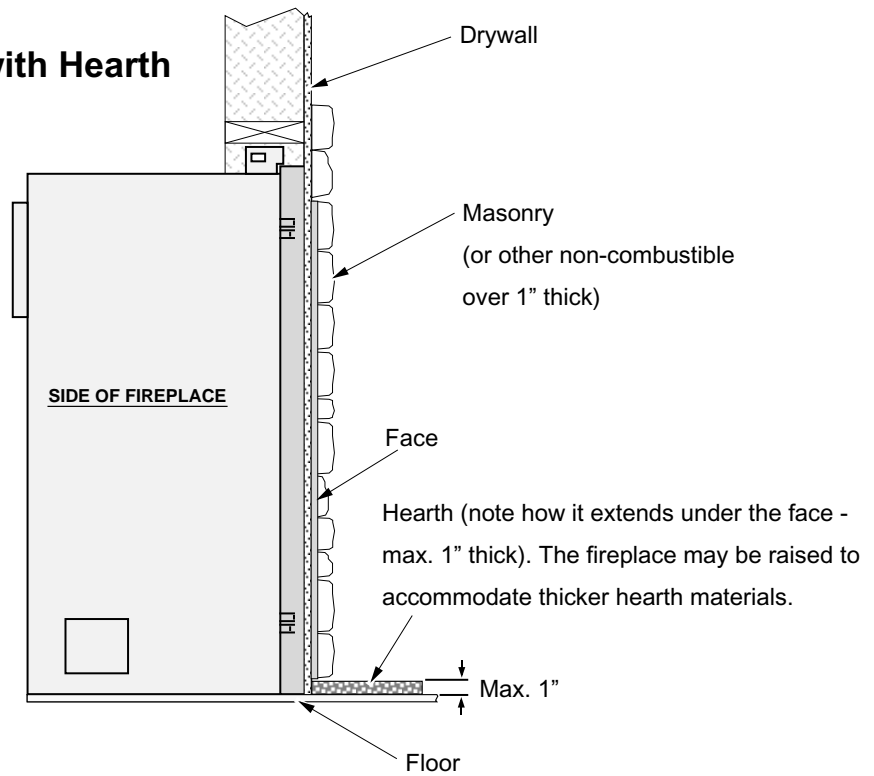
Raised Fireplaces:
Masonry is installed 1" (maximum) above the base of the fireplace.

TOP VIEW

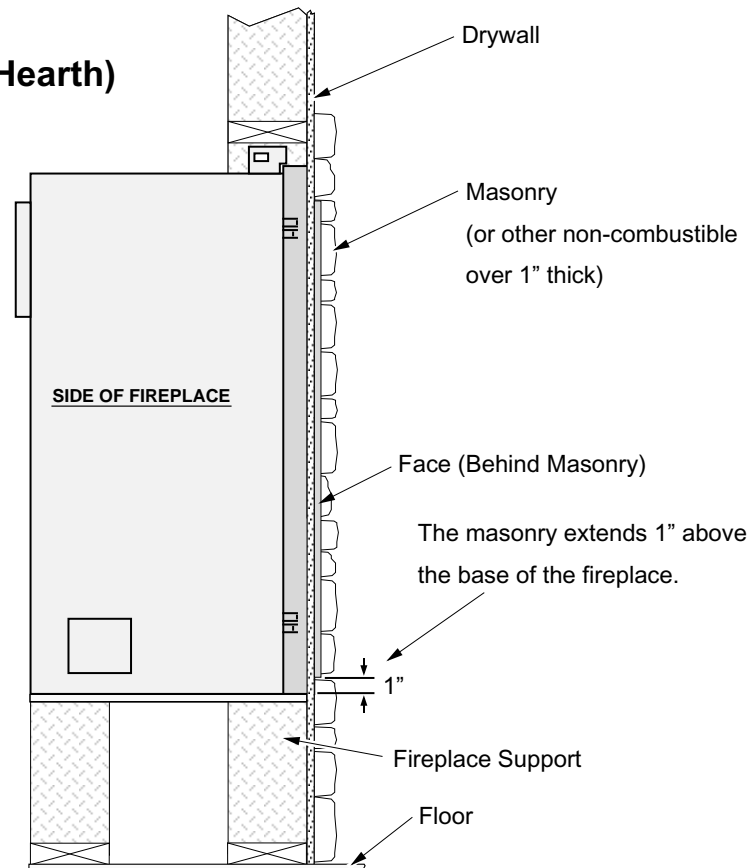


Thick Facing Installation - Side View

Floor-Mounted Fireplace with Hearth

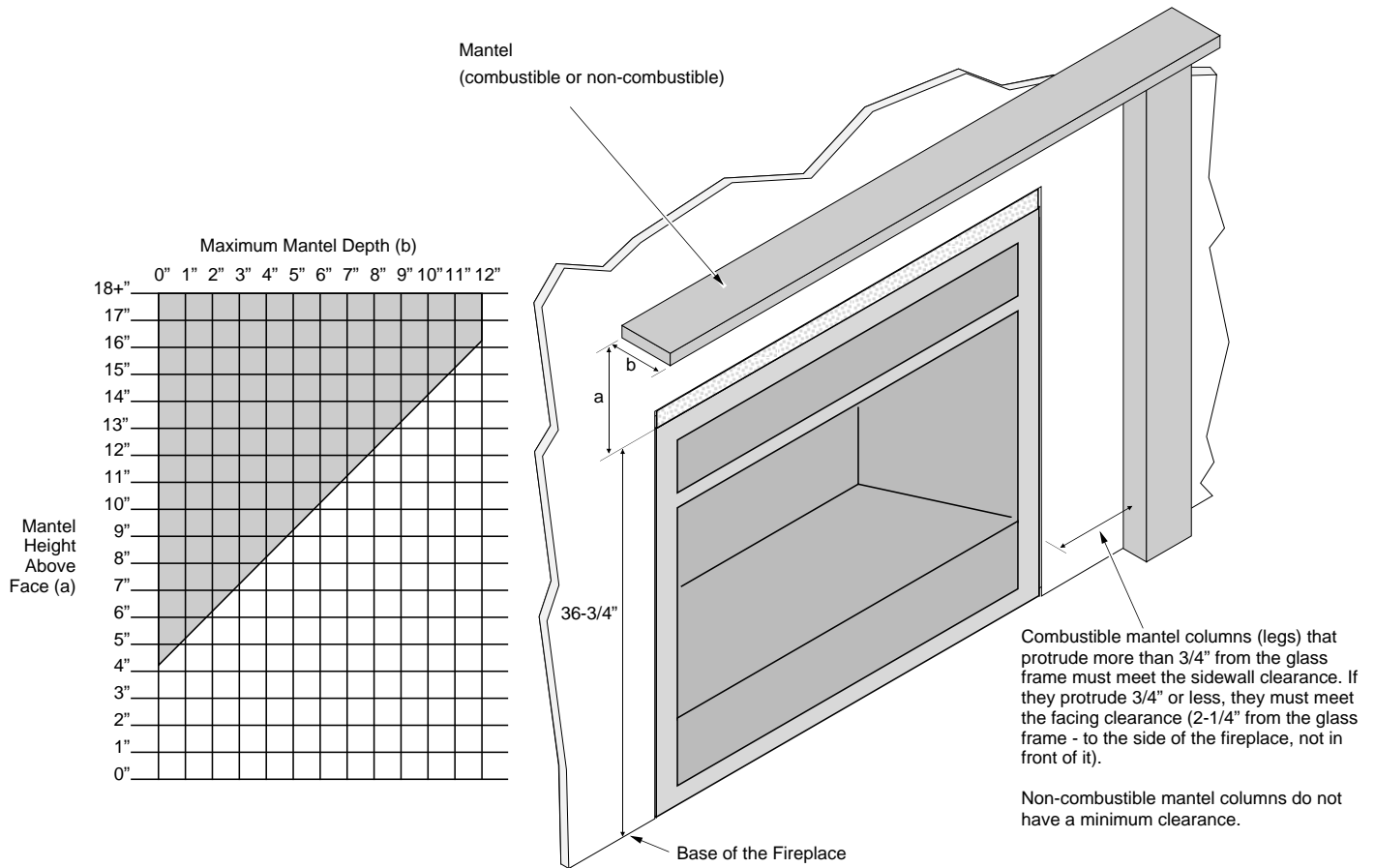


Raised Fireplace (with no Hearth)



Mantel Requirements

- The illustration below details mantel clearances and maximum mantel depth.
- Any material that protrudes more than 3/4" from the non-combustible facing is considered a mantel and must meet the mantel requirements.

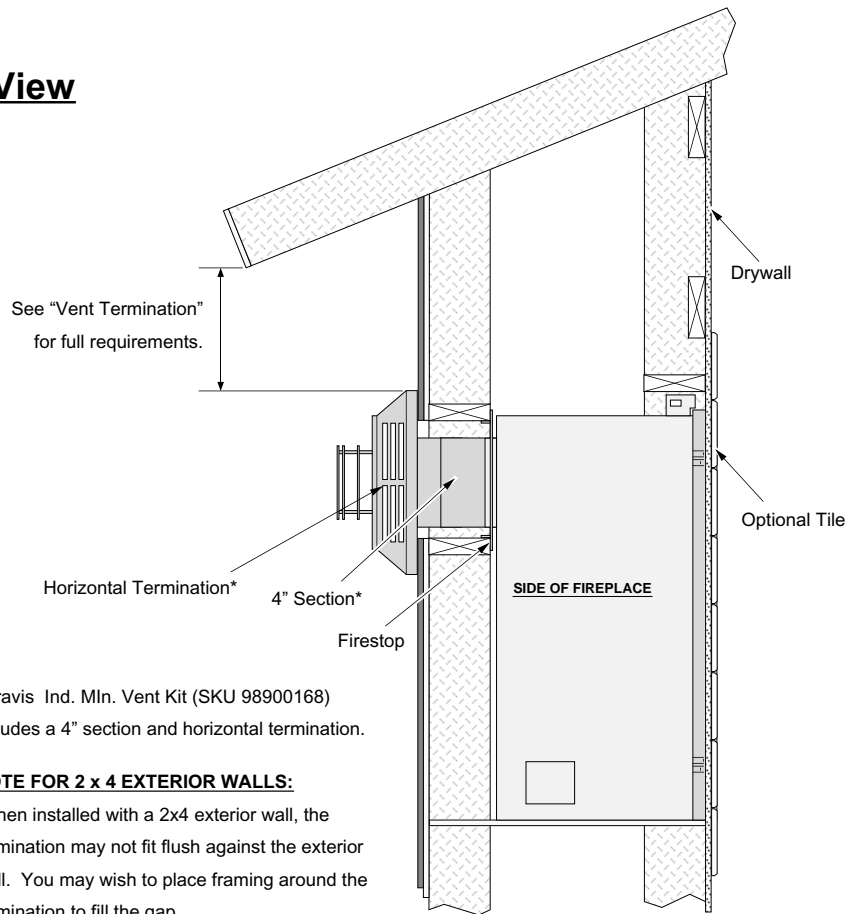


- Examples:
- If you wish to have a 8" deep mantel, it must be at least 12-1/4" above the fireplace face (49" above the base).
 - If you wish to have a mantel 8" above the fireplace face, it must be no deeper than 3-3/4".

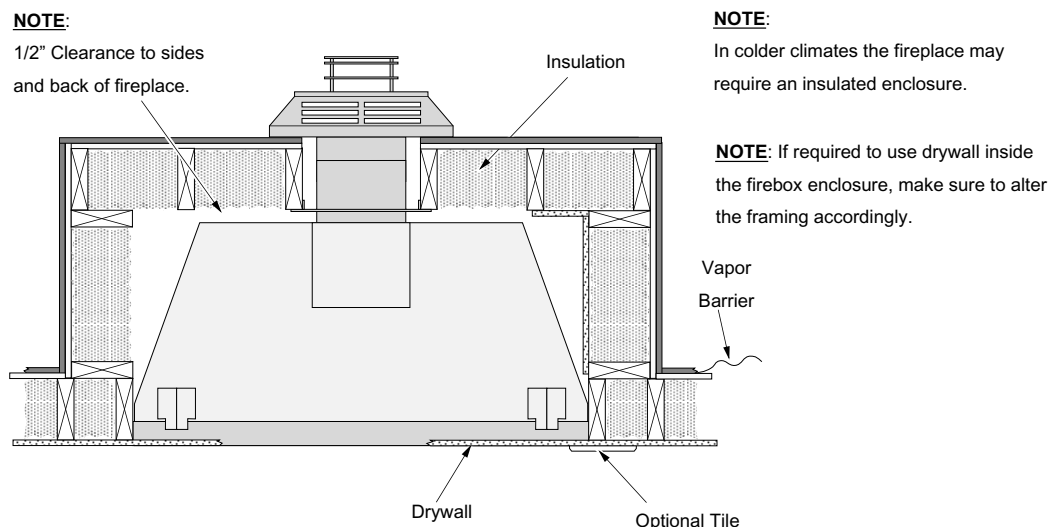
Installation Example - Build-Out (Dog-House) with Horizontal Termination

- The framing, facing, and other building materials depicted below are for example only. Refer to local building codes for framing, facing, and insulating requirements in your area.

Side View



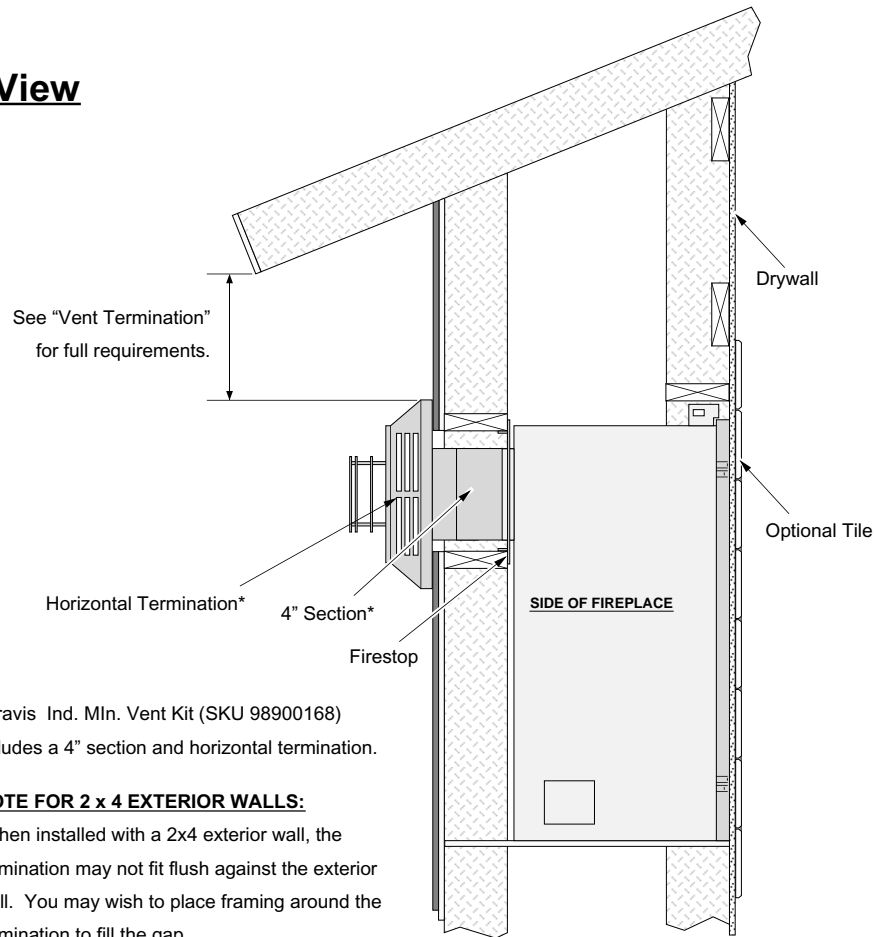
Top View



Installation Example - Build-In with Horizontal Termination

- The framing, facing, and other building materials depicted below are for example only. Refer to local building codes for framing, facing, and insulating requirements in your area.

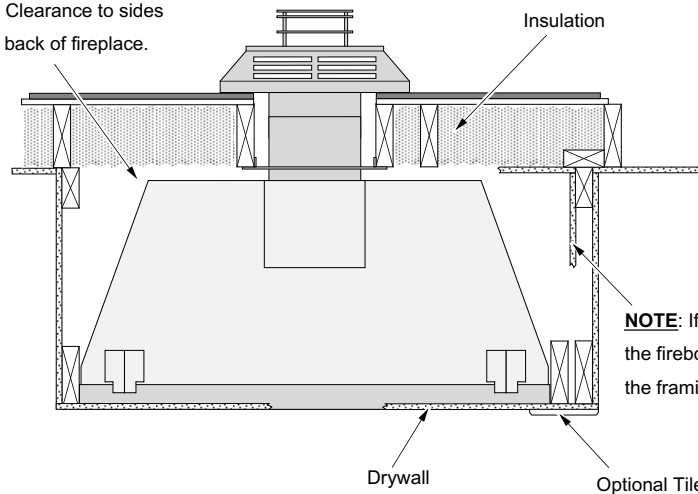
Side View



Top View

NOTE:

1/2" Clearance to sides and back of fireplace.



Steps for Finalizing the Installation

1. Remove the glass (see page 45).
NOTE: If using propane (LP) convert the appliance prior to installing the logs.
2. We recommend you purge the gas line at this time (with the glass removed). This allows gas to be detected once it enters the firebox, ensuring gas does not build up.
3. Install the logs (see page 47).
4. Turn on the gas to the fireplace. Turn on gas to the heater. Leak test all gas joints prior to starting the appliance. Start the pilot.

Starting the Pilot Flame

WARNING: When lighting or re-lighting the pilot, the glass must be removed (see page 43).

- a Remove the glass.
- b Push the gas control knob in slightly and turn it to the "OFF" position. The knob will not turn from "ON" to "OFF" unless the knob is depressed slightly. Wait five minutes to let any gas that may have accumulated inside the firebox escape. If you smell leaking gas, follow the directions on the cover "IF YOU SMELL GAS".
- c Turn the gas control knob to the "PILOT" position and press the knob in, this will allow gas to flow to the pilot light. Press the button on the pilot igniter repeatedly until you see the pilot light.

WARNING: If the pilot does not light after 15 seconds, release the knob and call your dealer for service. Do not attempt to light pilot until service has been performed.

NOTE:

You may wish to remove the log set to gain a better view of the pilot (see page 47).

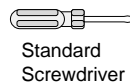
- d Keep the gas control knob depressed for 30 seconds once it is lit.
- e Release the gas control knob. If the pilot goes out, repeat step C. If the pilot refuses to stay lit, call your dealer for service. With the pilot lit, proceed to step "f".
- f Replace the glass.
- g Turn the gas control knob counter-clockwise to "ON". The pilot is now lit and the heater can be turned on and off.

5. Check the pilot flame following the directions below.

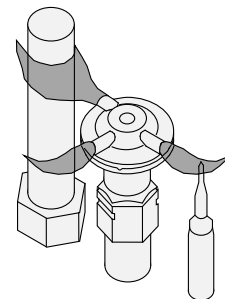
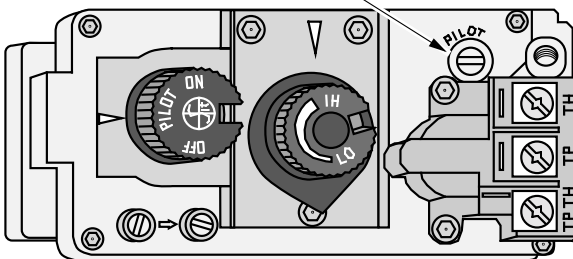
Pilot Flame Inspection

The pilot flame should look like the illustration below. Adjust the pilot flame if necessary.

To adjust the pilot flame, turn this screw. Clockwise lowers the flame while counter-clockwise raises it.



The pilot flame must contact the thermocouple and thermopile (see the illustration below). Adjust the pilot up or down as necessary.



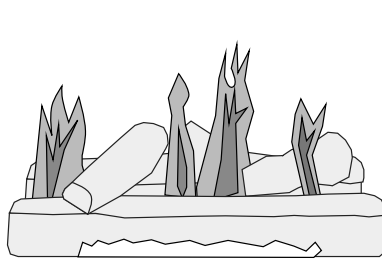
6. Replace the glass.
7. Start the main burner (the main burner circuit is detailed on page 20). Leak test all gas joints again.

44 Finalizing the Installation (for qualified installers only)

8. Check the air shutter following the directions below.

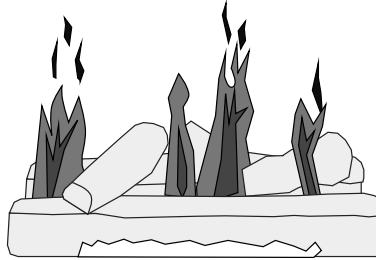
Air Shutter Adjustment

Let the heater burn for fifteen minutes (make sure the logs and glass are in place). The flames should be yellow with no sooting. Adjust the air shutter, if necessary, to achieve the correct looking flame.



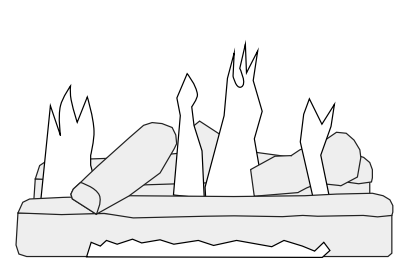
Correct

Flames should be blue at the base, yellow-orange on the top.



Not Enough Air

If the flames are over 14" tall or sooty on the ends, open the air shutter.



Too Much Air

If the flames are all blue and short, close the air shutter.

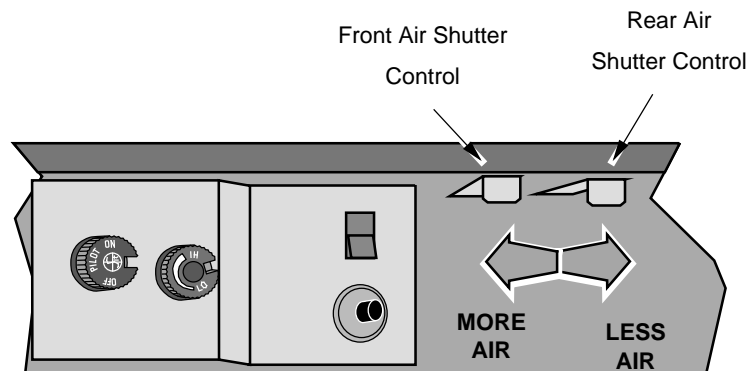
Air Shutter Adjustment

The air shutters may be adjusted while the burner is on (take care to prevent contacting the burner area).

There are two air shutters on this fireplace - adjust both air shutters to obtain the correct flame.

Move the controls left or right until the flame looks correct. The rear air shutter affects the rear portion of the burner, the front air shutter the front portion of the burner. Pushing to the left gives the flame more air, making it more blue. Pushing to the right gives the flame less air, making it more orange.

NOTE: If the air control is all the way open, yet the flames remain sooty, shut off gas to the fireplace and contact a qualified gas service technician.



NOTE: The logs must be installed correctly to monitor the flame while adjusting the air shutter.

9. Turn the flame adjust knob to its highest position - the flames should not contact the top of the firebox. Check the flame on low position. The flames should burn off of each burner hole. If the heater does not work correctly, contact your Travis dealer for a remedy.
10. Give this manual to the home owner for future reference and fully explain operation of this heater. For comprehensive operating and maintenance instructions, refer to the Owner's Manual (part # 100-01181).

ACID WASH WARNING: Before installing the faceplate, make sure any masonry that has been treated with acid wash has been properly neutralized (this is used primarily with brick faces). Acid wash (muriatic acid) is used to remove excess mortar. If not properly neutralized with an ammonia solution, the plated face may develop a permanent tarnish when the acid evaporates over time. Contact your dealer if uncertain your facing has been properly neutralized.

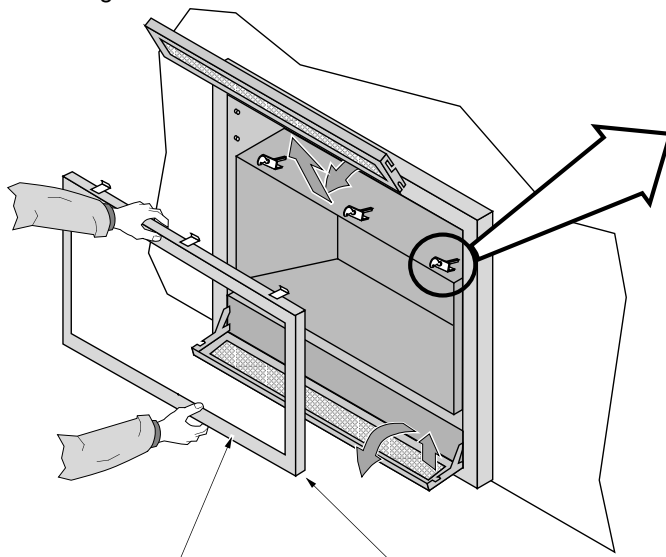
Glass Frame Removal and Installation

Warning: The appliance must be completely cool before removing the glass.

Warning: Do not strike or slam the glass.

- a** Based upon the face being used, either:
- (a) swing the access door down and remove the top grill,
 - (b) remove the face (unscrew or lift off - see the instructions included with the face for details).

Open the four latches holding the glass frame in place (start with the bottom three) - follow the directions shown to the right.



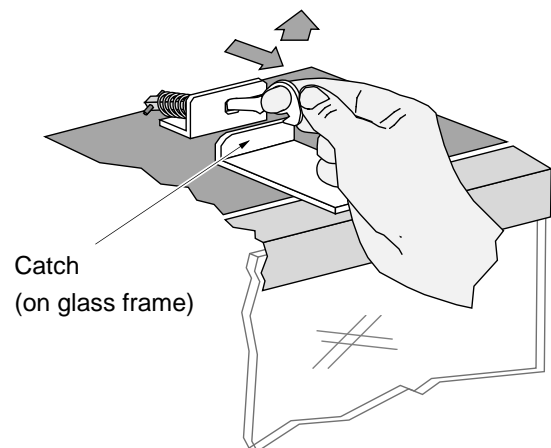
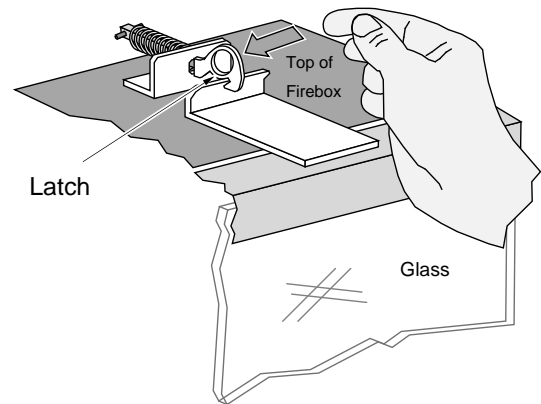
- b** Lift the glass frame up and pull it forward to remove.

NOTE:
You may need to lift the glass frame while re-attaching.

Re-Attaching the Glass Frame:

- a) Hang the glass frame on the firebox.
- b) While holding in place, attach the upper latches (follow the instructions to the right in reverse).
- c) Lift the glass frame slightly and attach the lower latches.

NOTE: Make sure the glass frame is all the way in place - it should be flush with the front of the fireplace when installed.

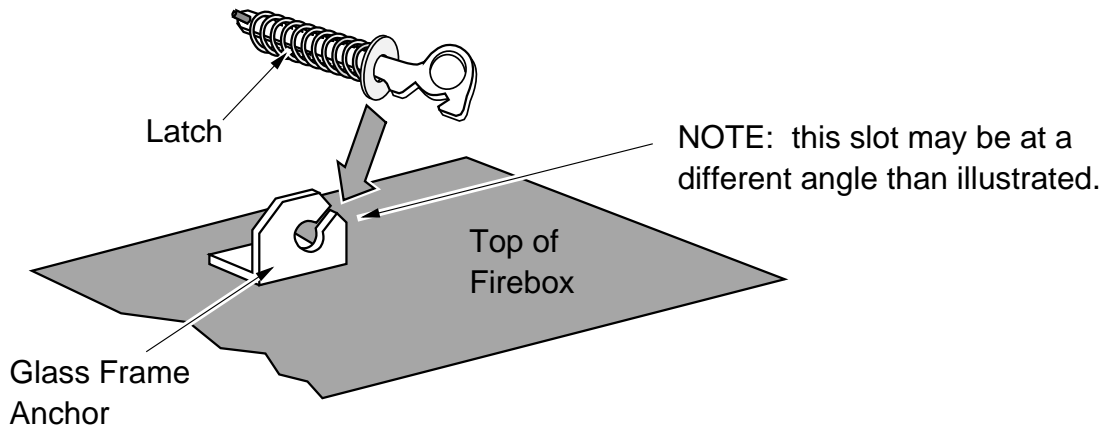


46 Finalizing the Installation (for qualified installers only)

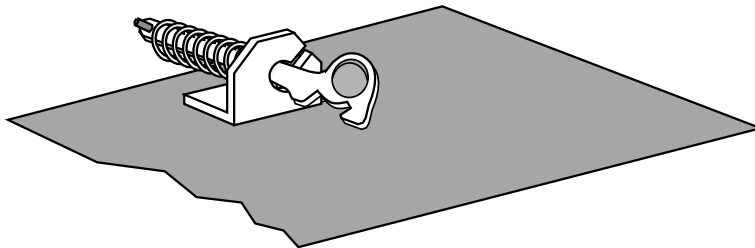
Glass Frame Removal and Installation (continued)

The latch can come loose from glass frame anchor. This occurs when it is turned 1/4 turn when it is disengaged. Follow the directions below to re-install the latch if it becomes loose.

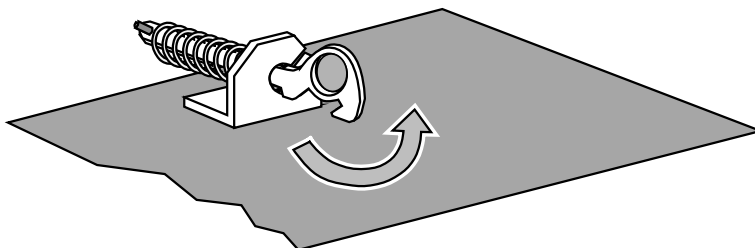
Hold the latch at an angle and insert it into the slot on the glass frame anchor.



Note how the washer on the latch fits behind the flange on the glass frame anchor.



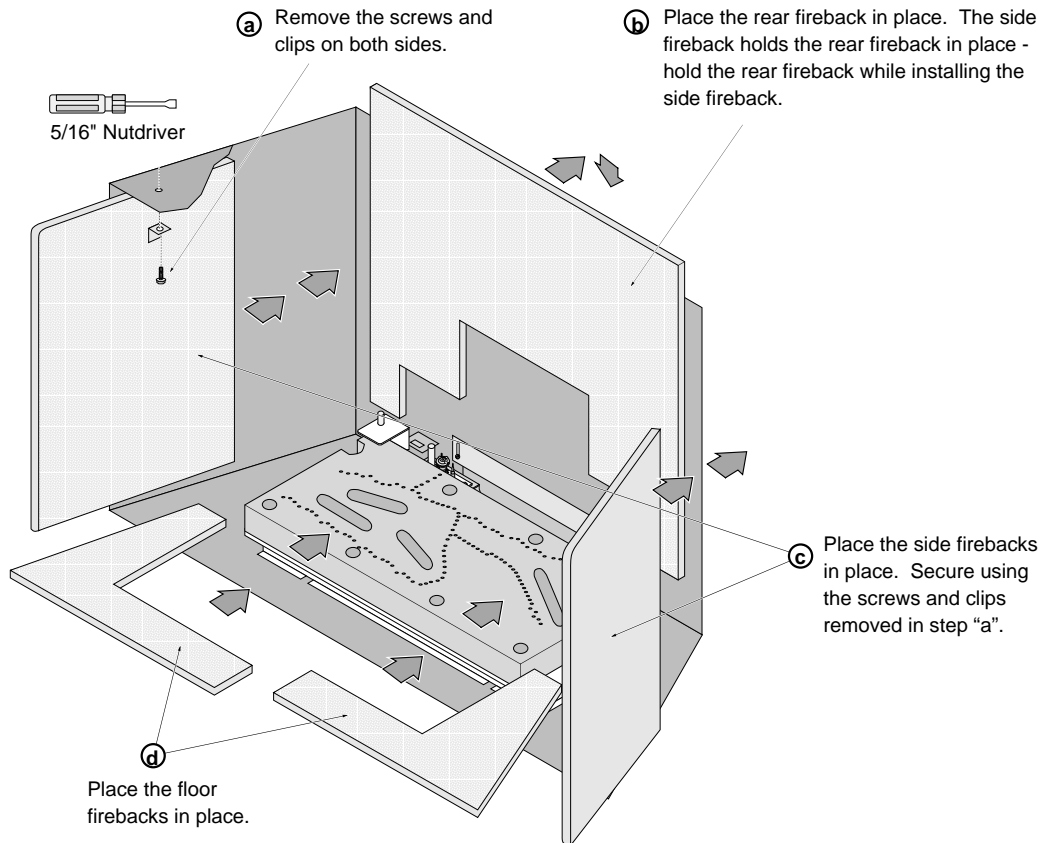
Once fully inserted, turn the latch until it is upright.



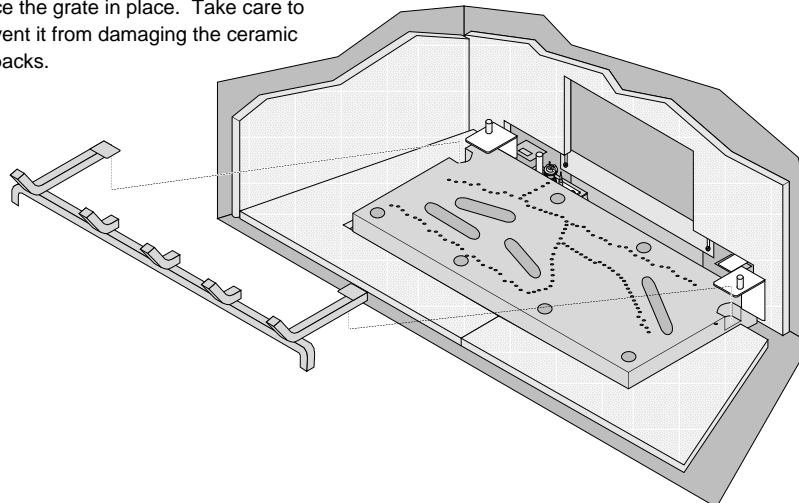
Fireback and Grate Installation

WARNING: Firebacks are required for this fireplace and must be installed prior to operation.

- 1 Remove the glass frame.
- 3 Remove the exhaust restrictor (see page 23). Make sure to return the restrictor to the correct position after the firebacks are in place.
- 4 Install the firebacks and grate following the directions below.



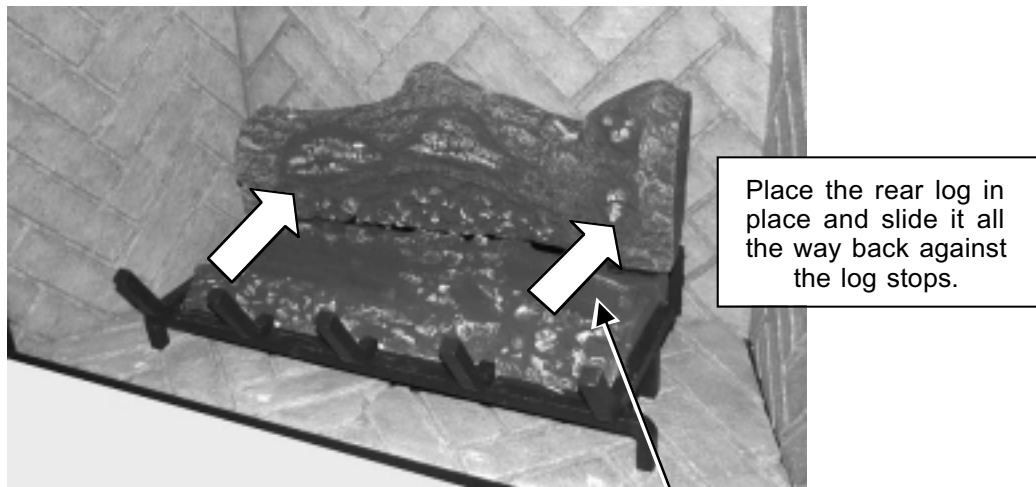
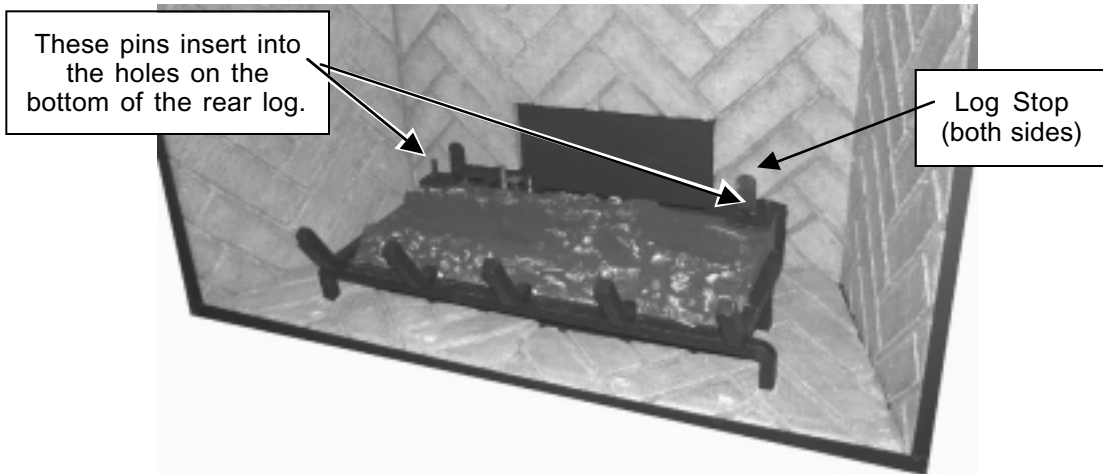
Place the grate in place. Take care to prevent it from damaging the ceramic firebacks.



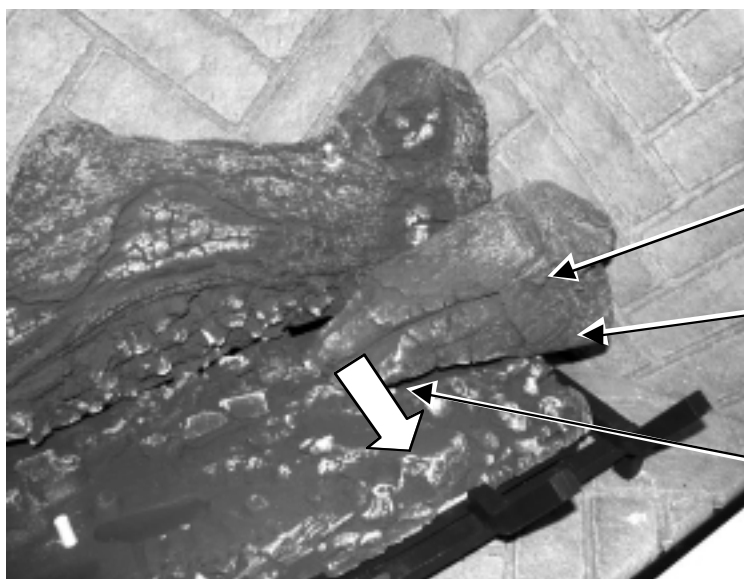
48 Finalizing the Installation (for qualified installers only)

Log Set Installation

Rear Log Installation



Right Log Installation



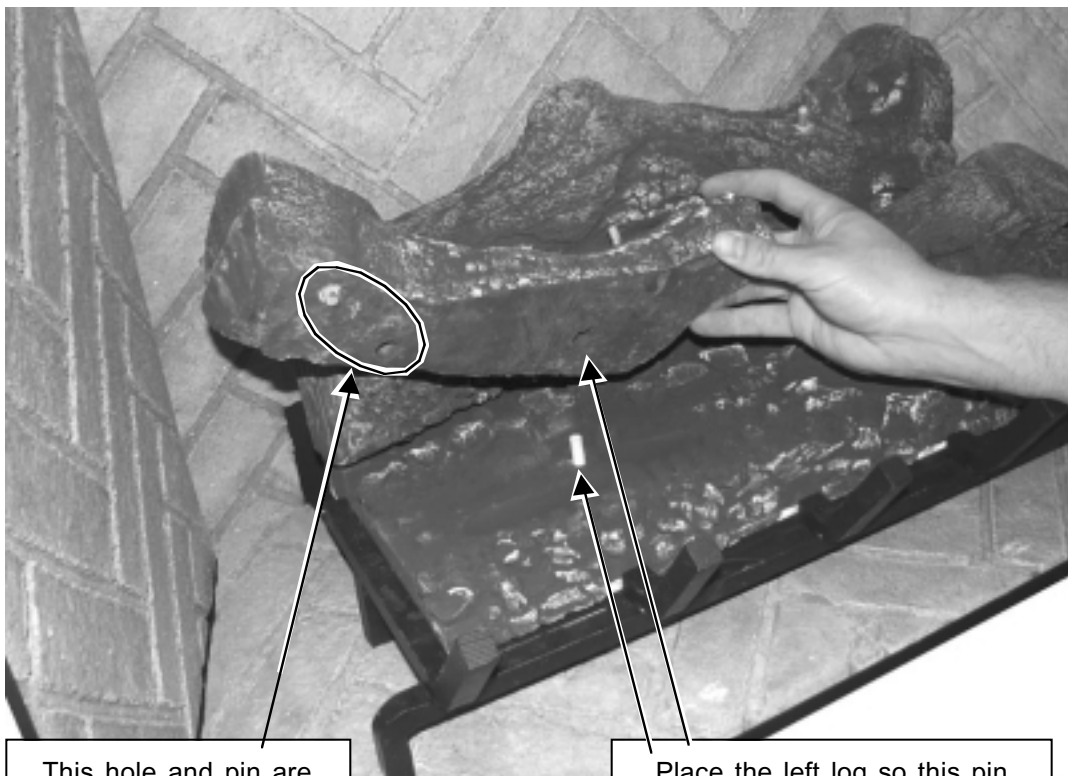
The burner has a flat portion here with a ridge directly behind it.

Place the right log on the flat portion of the burner and push it back so it rests against the ridge.

Note how the notch on the right log hangs over the side of the burner.

Rotate the inward tip of the log forward so it is directly next to the burner holes.

Left Log Installation



This hole and pin are not utilized.

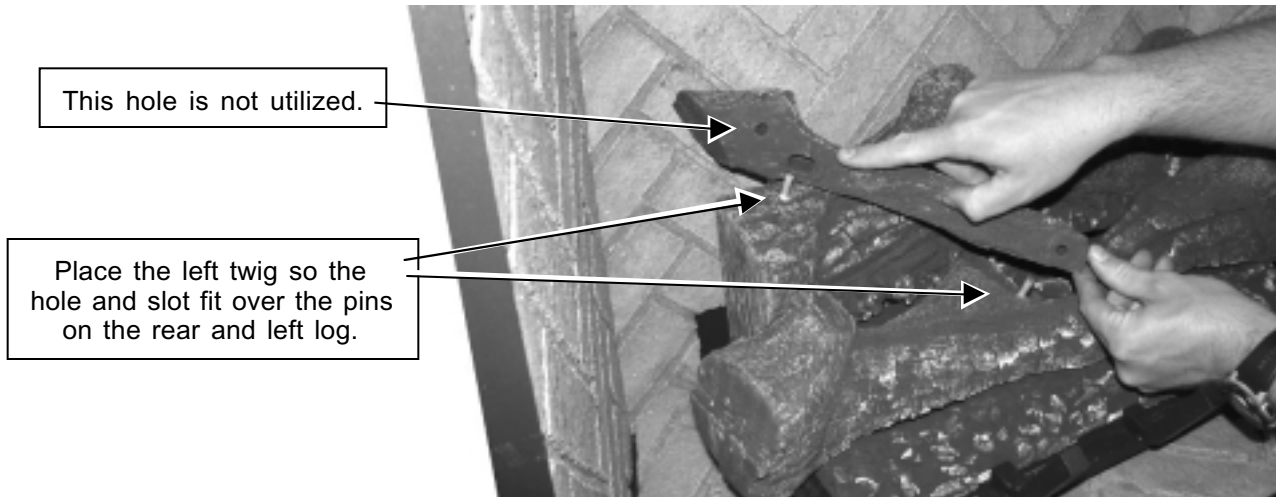
Place the left log so this pin inserts into the hole on the bottom of the log.

When in place, the logs should look like this.

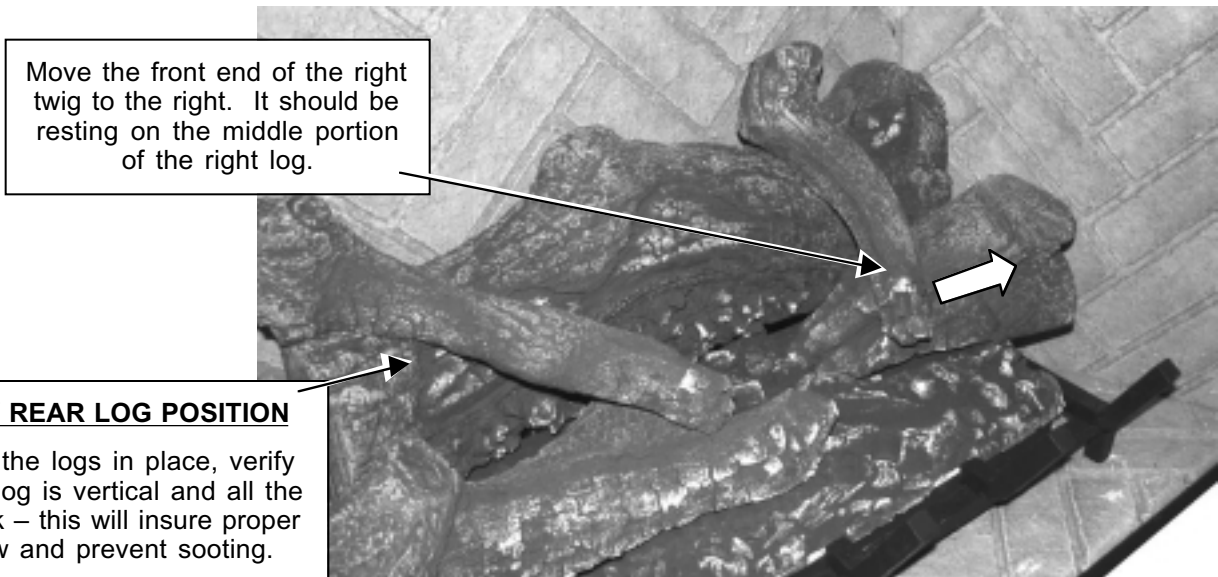


50 Finalizing the Installation (for qualified installers only)

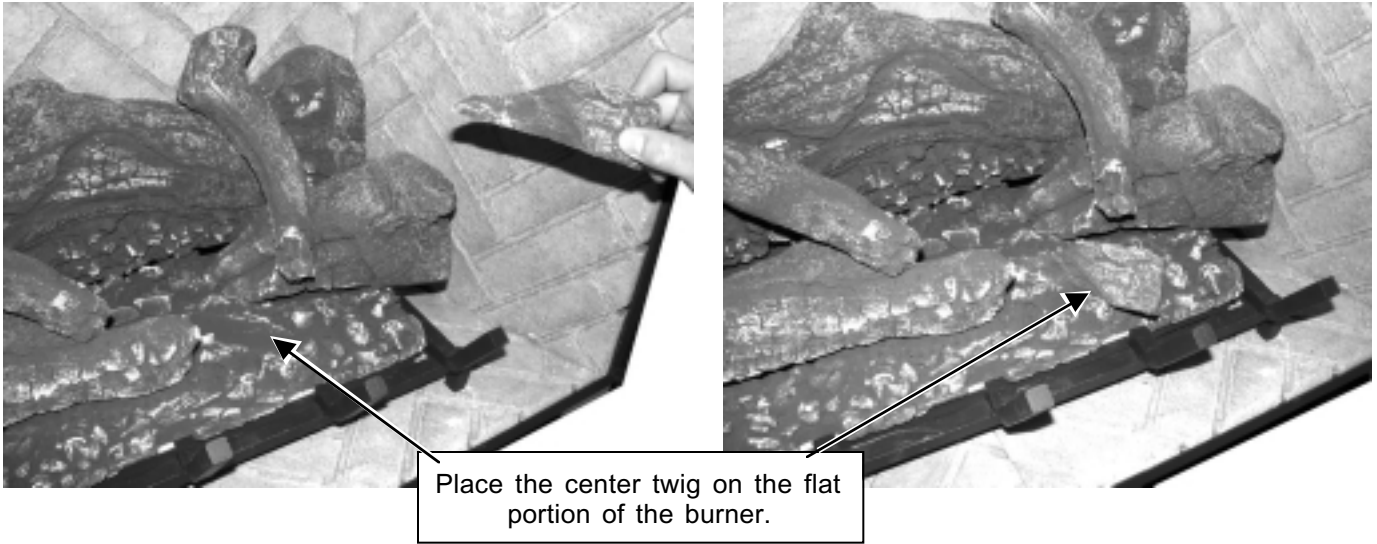
Left Twig Installation



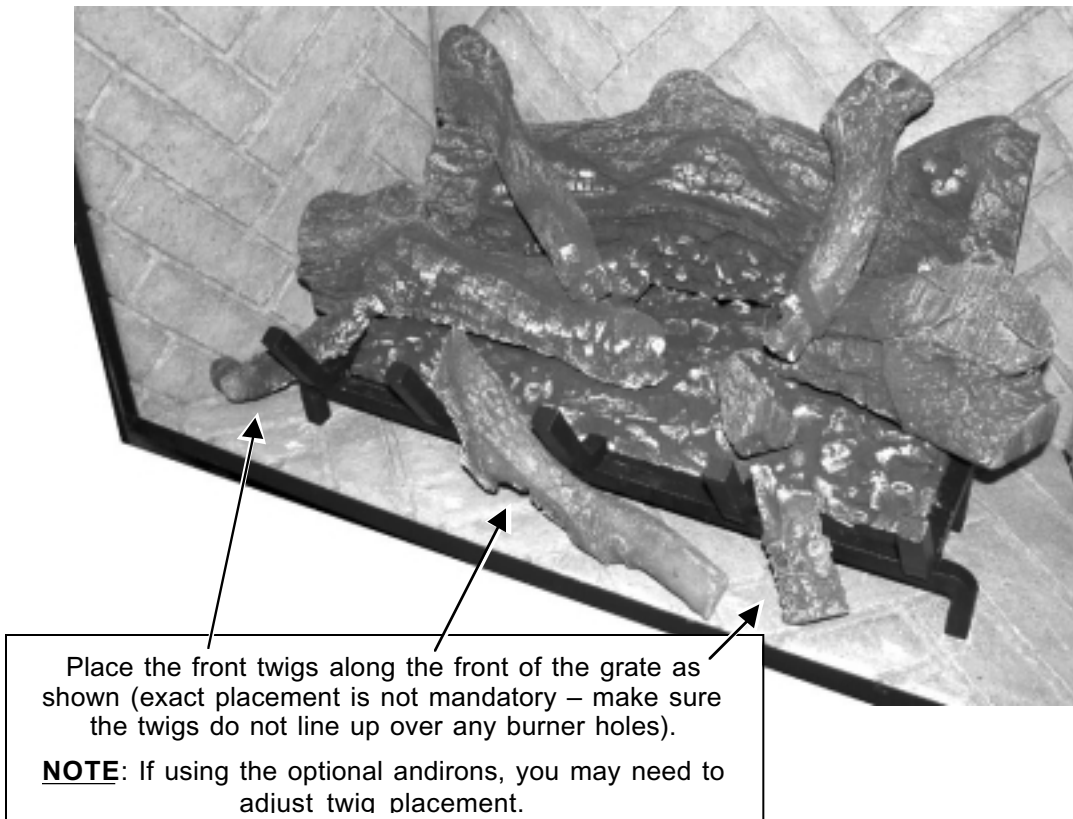
Right Twig Installation



Center Twig Installation



Front Twigs Installation



Ember Installation

A bag of embers is provided to further enhance the firebox. Place the embers on the firebox floor and on the burner (especially over exposed screws on the burner). Do not place embers over any of the burner holes or air channels.

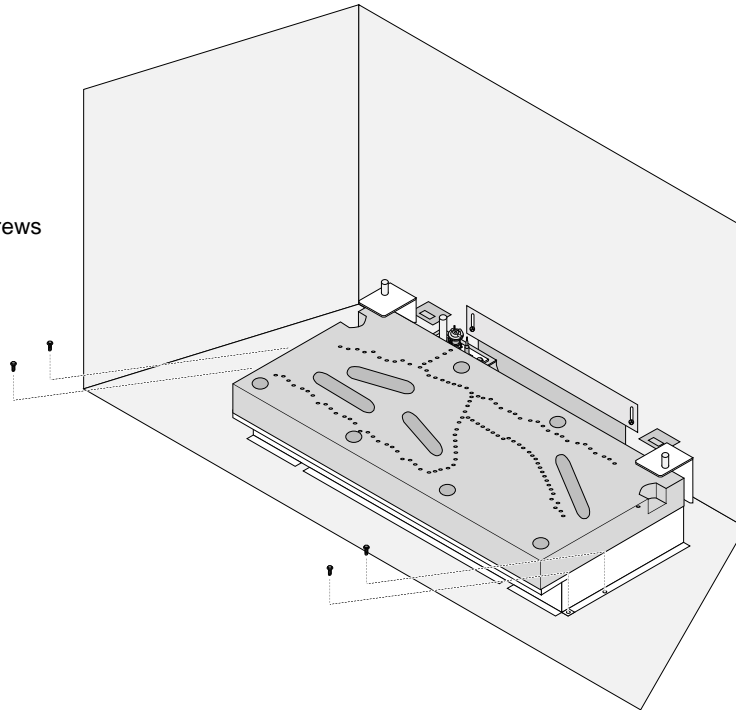
52 Finalizing the Installation (for qualified installers only)

LP Conversion Instructions

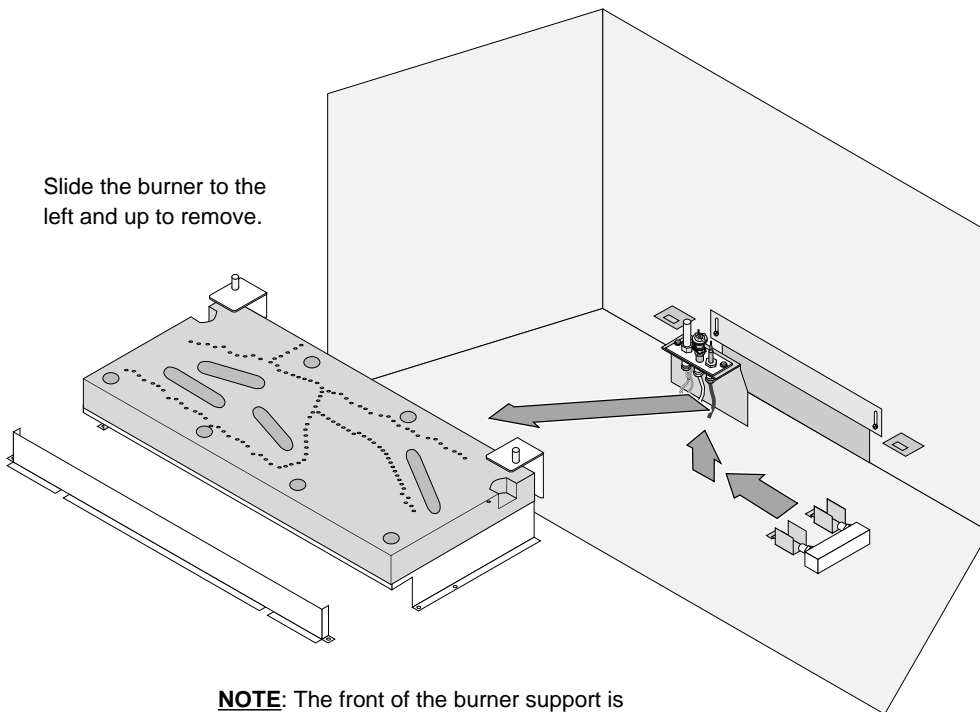
Install the conversion kit prior to installing the gas line to ensure proper gas use.

- 1 Remove the glass (see page 45). Remove the logs and coals (if installed - page 47). Remove the grate and firebacks (see page 47).
- 2 Remove the burner (see illustration below).

Remove the four screws holding the burner assembly in place.

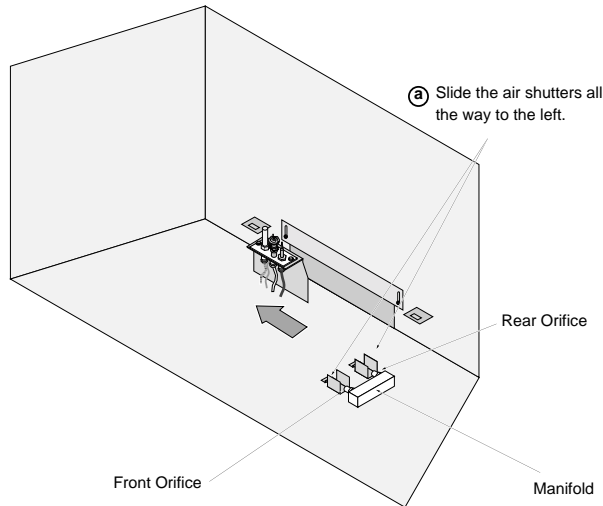


Slide the burner to the left and up to remove.

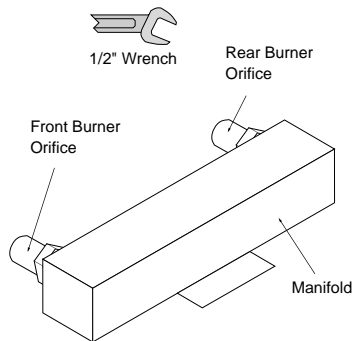


NOTE: The front of the burner support is removable. It may be removed to aid in burner alignment during re-assembly.

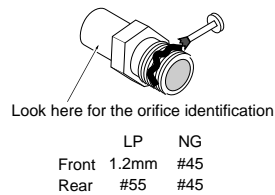
3 Follow the directions below to replace the orifices.



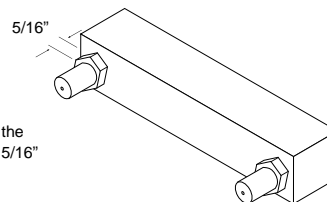
(b) Use a 1/2" open end wrench to unscrew both orifices.



(c) Apply thread sealant to the LP orifices prior to installation. Use the chart below to identify the correct orifices.

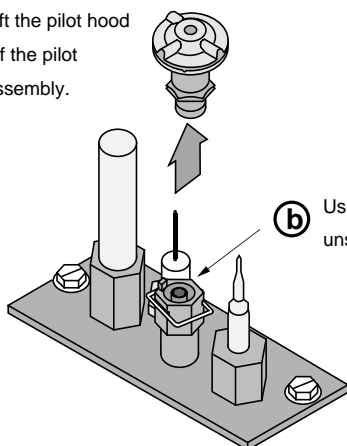


(d) Screw the LP orifice in so the orifice shoulder protrudes 5/16" (indicating full insertion).



4 Remove the pilot orifice following the instructions below. Replace with the propane pilot orifice

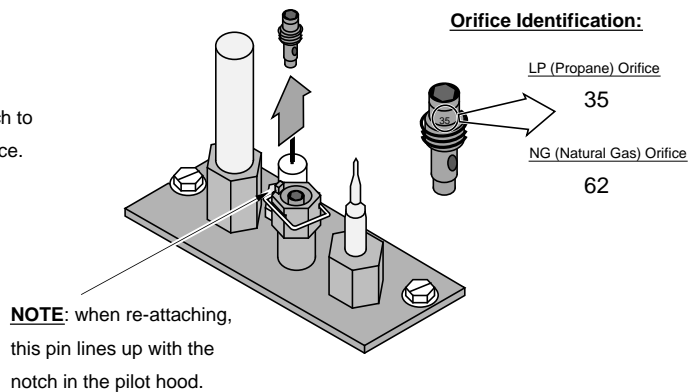
(a) Lift the pilot hood off the pilot assembly.



(b) Use a hex wrench to unscrew the orifice.



(c) Remove the orifice and replace with the LP orifice. Screw the orifice all the way in and replace the pilot hood.



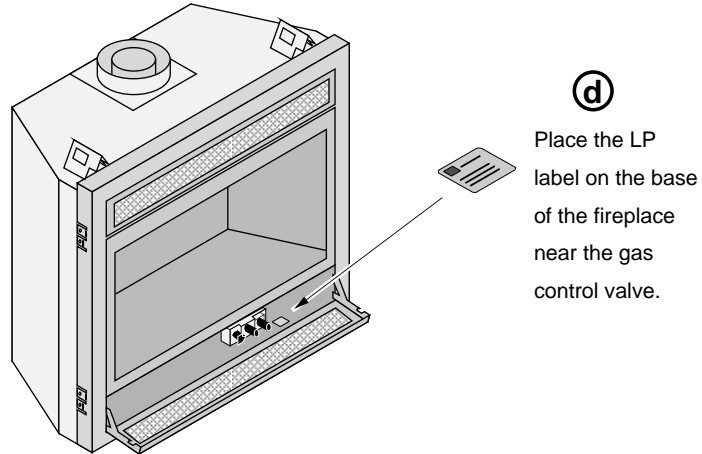
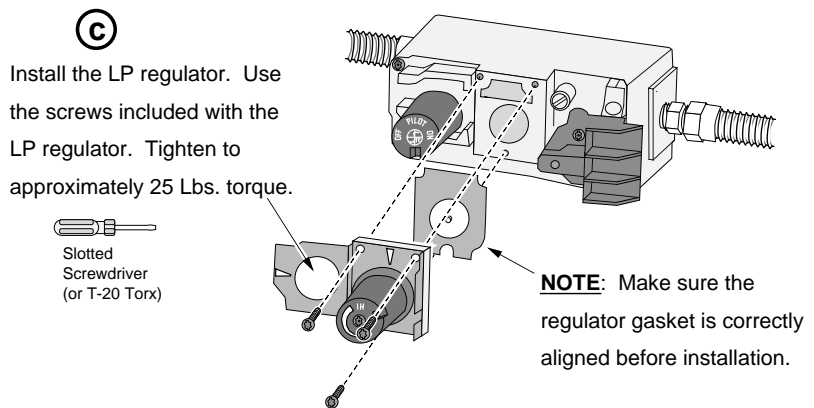
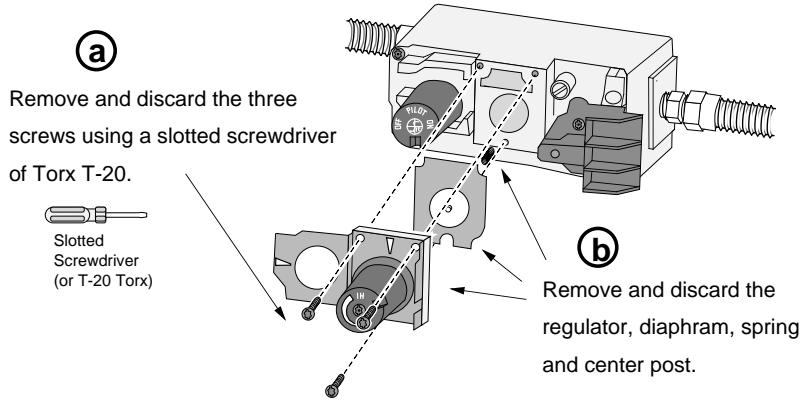
54 Finalizing the Installation (for qualified installers only)

5 Replace the firebox components. Install the logs and embers. Replace the glass.

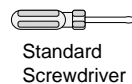
6 Remove the regulator from the front of the gas control valve. Replace with the propane regulator, using the new gasket and screws included with the regulator. **NOTE: Leak test this area after the heater is installed, gas is connected, and the main burner is lit.**

7 Make the gas line connection, bleed the gas line (if applicable), start the heater and thoroughly leak-test all gas connections and the gas control valve. Check the pilot (see the illustration below). Adjust if necessary.

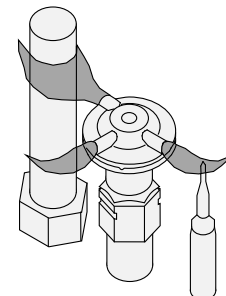
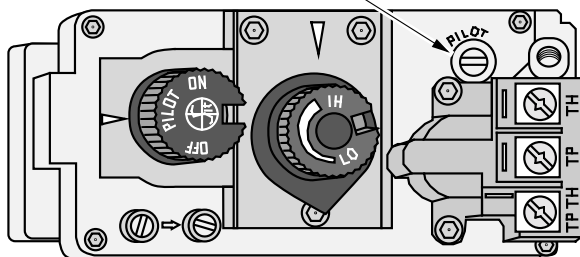
WARNING: When lighting or re-lighting the pilot, the glass must be removed (see page 45).



To adjust the pilot flame, turn this screw (NOTE: if totally unscrewed gas will come out of this port). Clockwise lowers the flame while counter-clockwise raises it.



The pilot flame must contact the thermocouple and thermopile (see the illustration below). Adjust the pilot up or down as necessary.



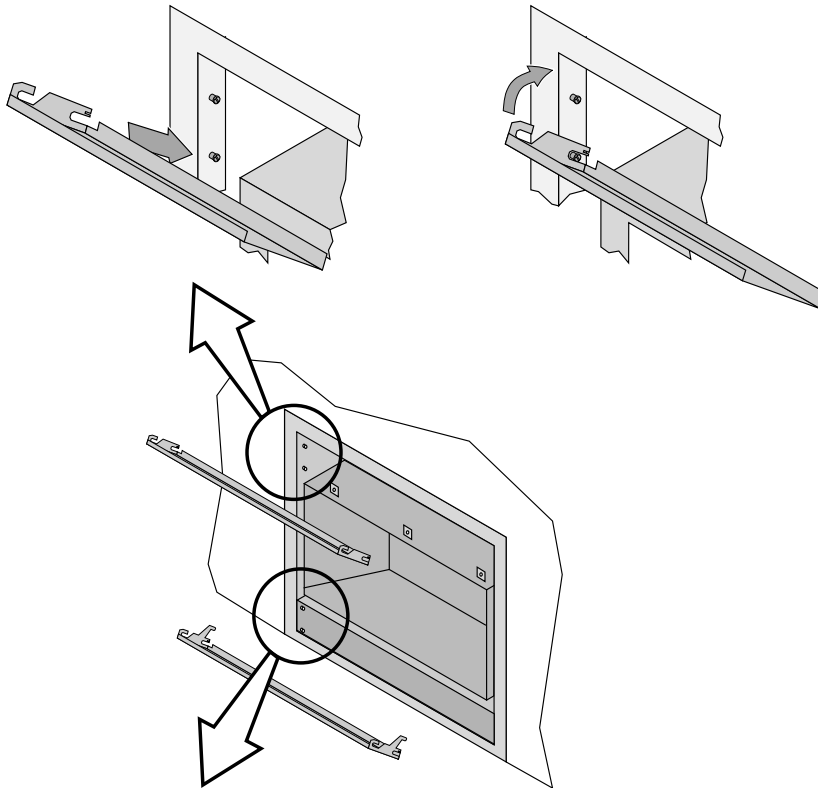
Grill Installation

Certain faces allow for installation of an upper and lower grill. Follow the directions below to install.

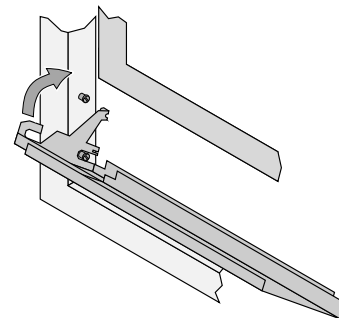
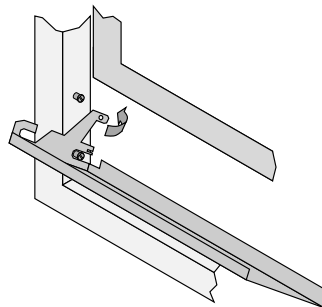
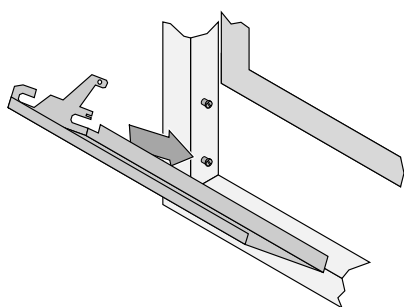
Upper Grill Installation

Hold the grill at an angle and insert the lower slot over the bushing on the fireplace (both sides). You may need press on the grill to get the tab over the bushing (this prevents the grill from accidentally falling off).

Swing the grill upwards to engage the second slot. You will need to lift the grill slightly to get it over the bushing. Once in place the grill is held in place by gravity.



Lower Grill Installation



Hold the grill at an angle and insert the lower slot over the bushing on the fireplace (both sides). You may need press on the grill to get the tab over the bushing (this prevents the grill from accidentally falling off).

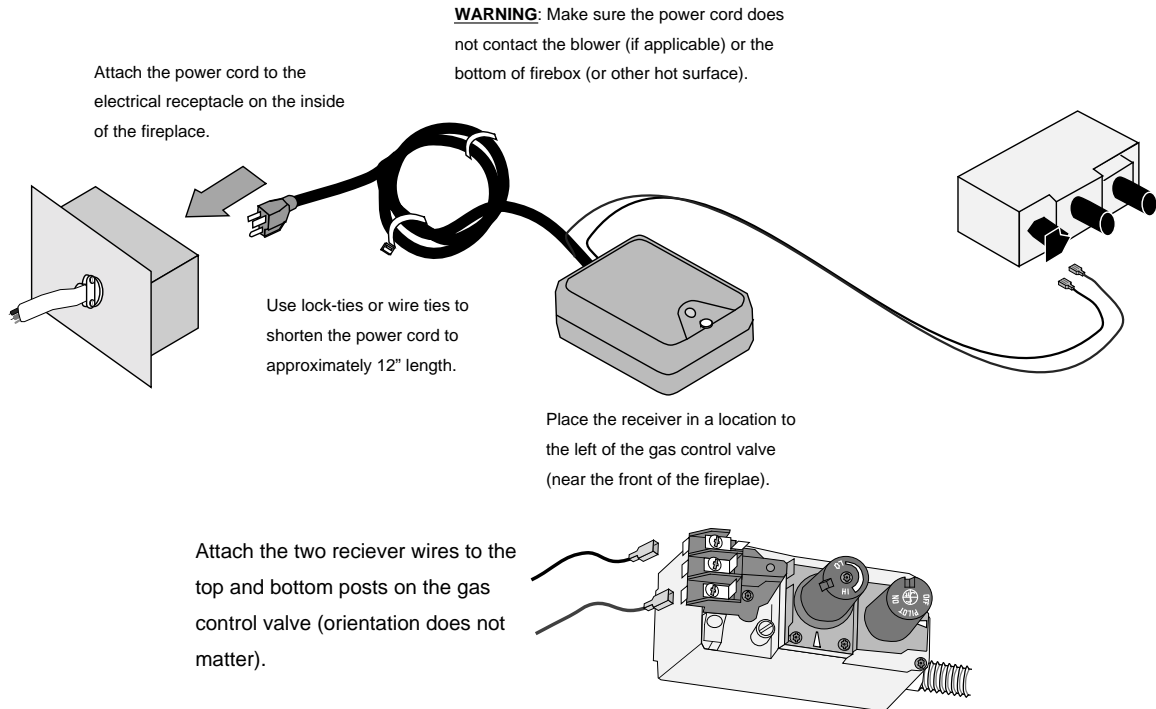
Bend this the tab over on both sides. This is the end-stop for the lower grill, it allows the grill to swing forward.

Swing the grill upwards to engage the second slot. You will need to lift the grill slightly to get it over the bushing. Once in place the grill is held in place by gravity.

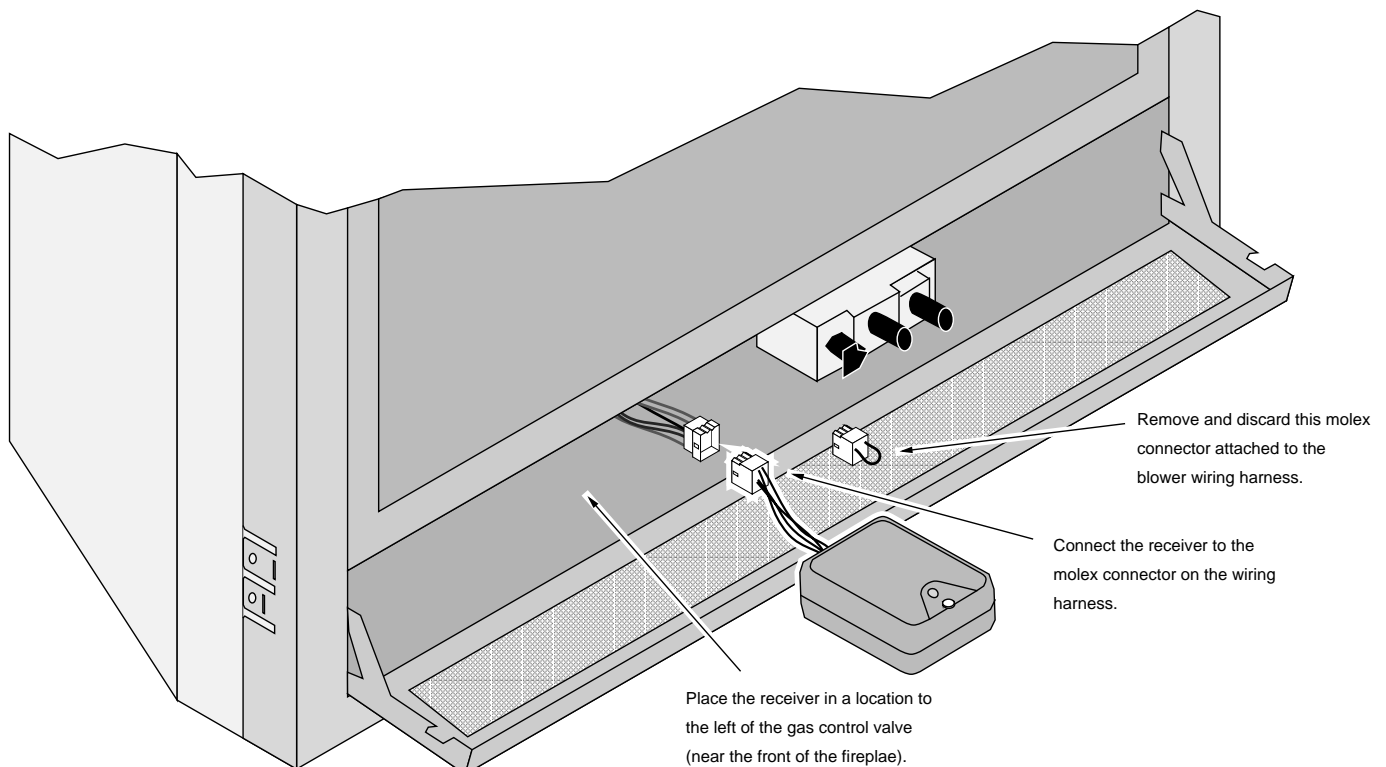
Remote Control Receiver Installation (2 Options)

The instructions below detail installation of the optional remote control receiver. For operating instructions, refer to the instructions included with the remote.

OPTION # 1 - Remote Thermostat (99300653)



OPTION # 2 - Remote Thermostat (99300677)



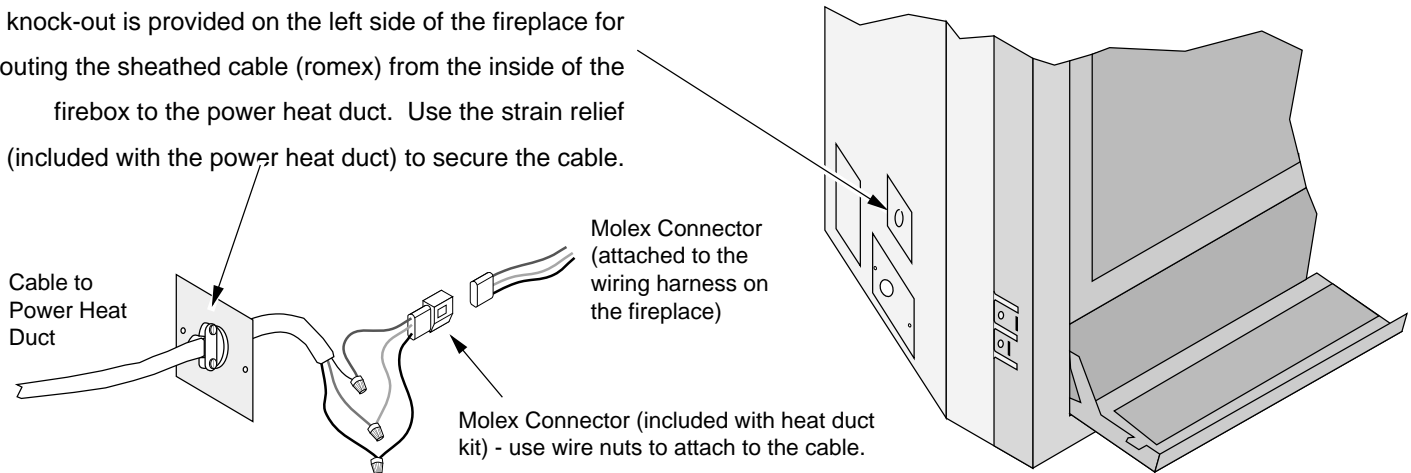
Extra Room Power Heat Duct (sku 98500769)

Special Instructions for 864 HH

Newer 864 HH fireplaces (SN 3407-001010 or later) have an improved wiring harness and removable heat shields below the heat duct connections. The wiring harness is now routed through the snap disk, allowing the power heat duct to be turned on and off by the fireplace (see "Wiring Instructions" on page 62). An additional knock-out was added to the fireplace to allow for the electrical line to be routed to the power heat duct (see below). The removable heat shields allow more heat to be routed to the power heat ducts (see below for details).

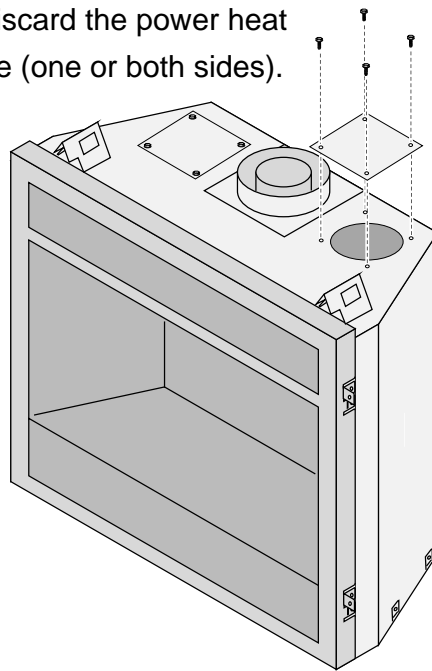
New Wire Hook-Up

A knock-out is provided on the left side of the fireplace for routing the sheathed cable (romex) from the inside of the firebox to the power heat duct. Use the strain relief (included with the power heat duct) to secure the cable.

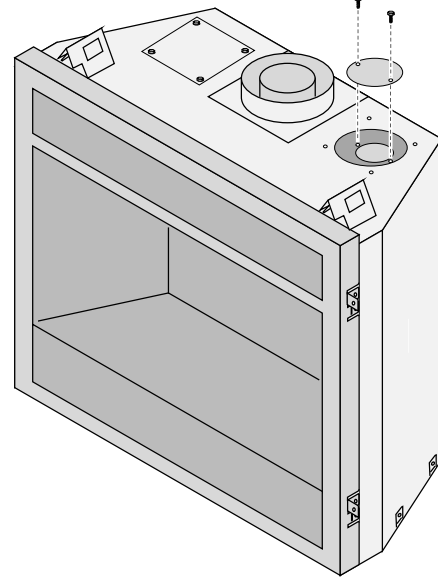


New Removable Heat Shield (improves heat output to power heat duct)

Remove and discard the power heat duct cover plate (one or both sides).



Remove and discard the circular cover plate attached to the heat shield.



Installation Overview

The optional heat duct allows the fireplace to transfer heat to separate locations in the home. Installation should take place prior to installing drywall.

Warning: This kit must be installed as specified in these instructions. Do not modify any component.

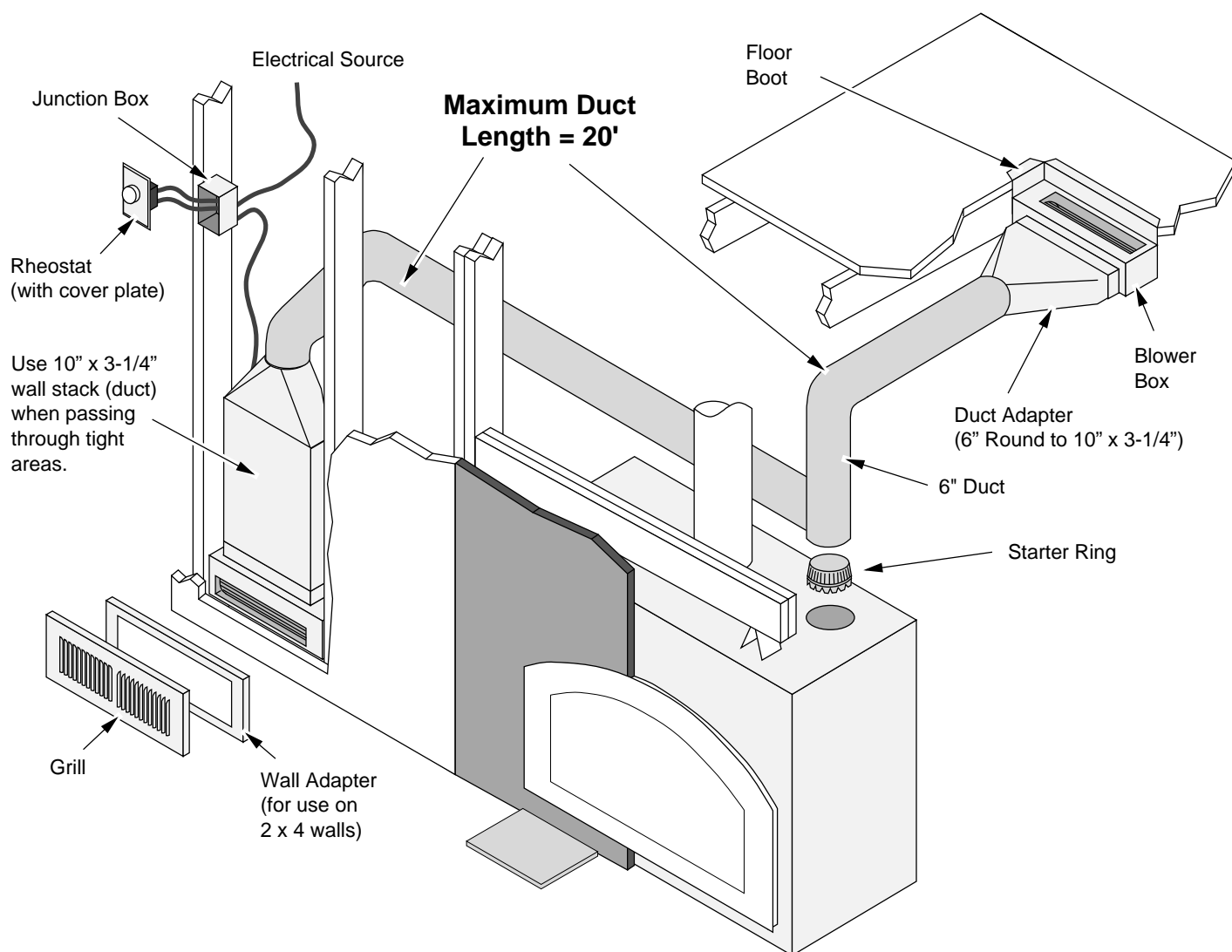
Warning: Use of any external blower other than the Travis Power Heat Duct Blower will void the warranty and listing of this appliance and may create a fire hazard.

Note: The power heat duct **must** be installed by a qualified service technician.

Note: Some building codes may require the use of firestop spacers whenever the duct passes from room to room.

Note: When routing ducts through a cold area (e.g. crawl space) we recommend insulating the duct with fiberglass insulation. If paper-backed insulation is used, the paper can not contact the duct.

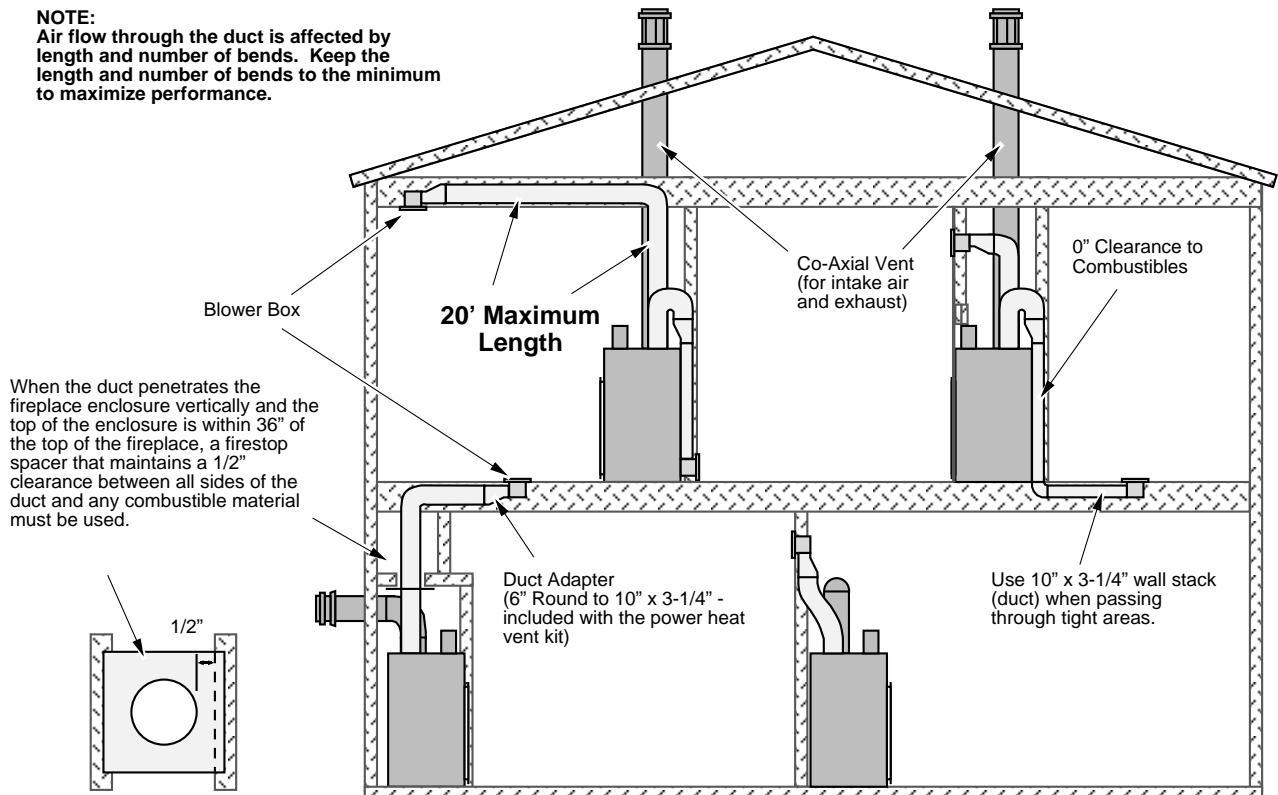
Note: One or two heat duct kits may be used.



Duct Installation Instructions

Determine the route for the heat duct using the illustration below as a guide.

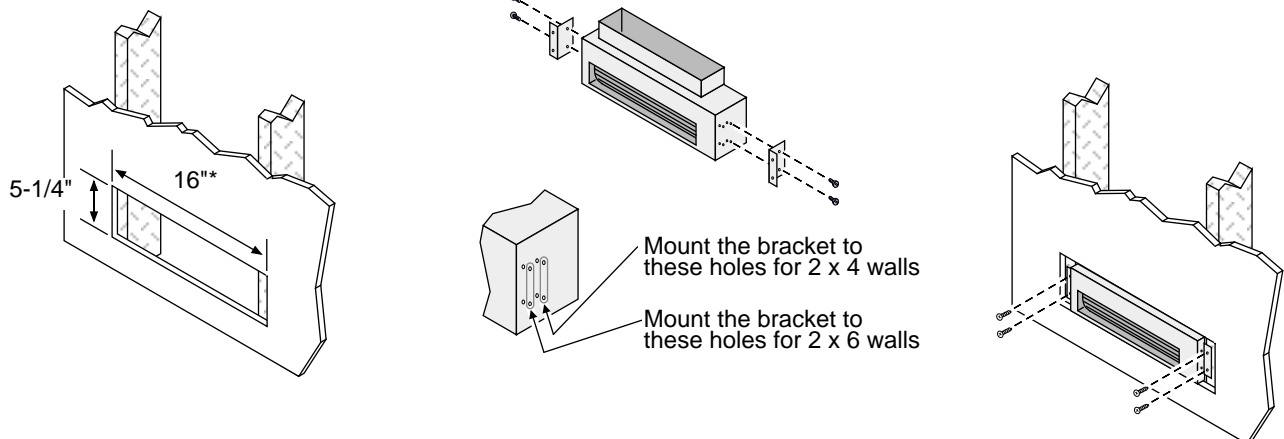
NOTE:
Air flow through the duct is affected by length and number of bends. Keep the length and number of bends to the minimum to maximize performance.



Attach the blower box to the framing or floorboards of the home following the instructions below.

Wall or Ceiling Mounting

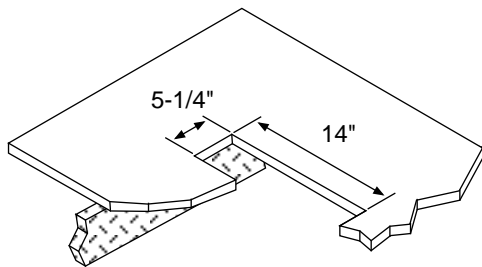
- (a)** Cut a hole between wall framing members for the blower assembly.
- (b)** Attach the wall mounting brackets to the blower box.
- (c)** Slide the blower, with wires, into the hole cut in step "a". Attach with four screws.



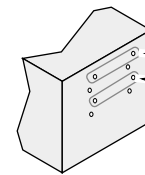
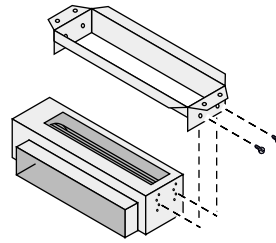
* This blower was designed for framing on 16" centers. Construct additional framing if needed. If the blower is installed prior to the drywall only a 14" opening is required. If installed after the drywall is in place, the drywall to the sides of the blower will need to be patched.

Floor Mounting

- a** Cut a hole between floor joists for the blower box.

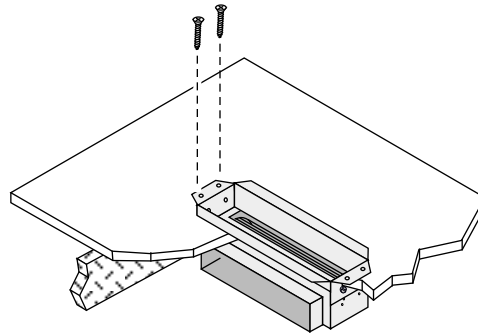


- b** Attach the floor boot to the blower box with the included screws.

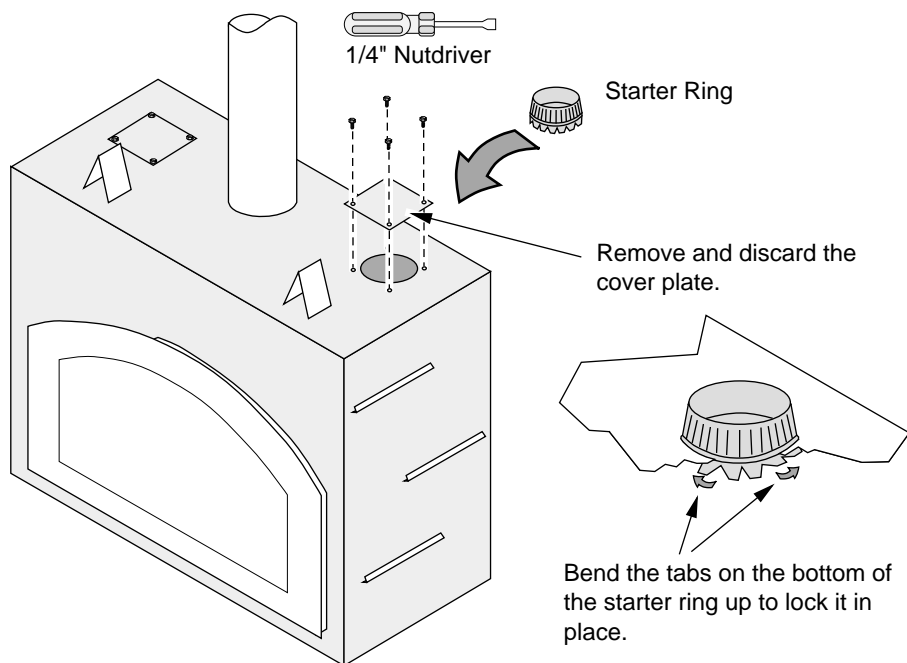


The screws attach to either of these pairs of holes. Use the upper pair for thick flooring, the lower pair for thin flooring.

- c** Slide the blower into the hole cut in step "a". Attach with four screws.

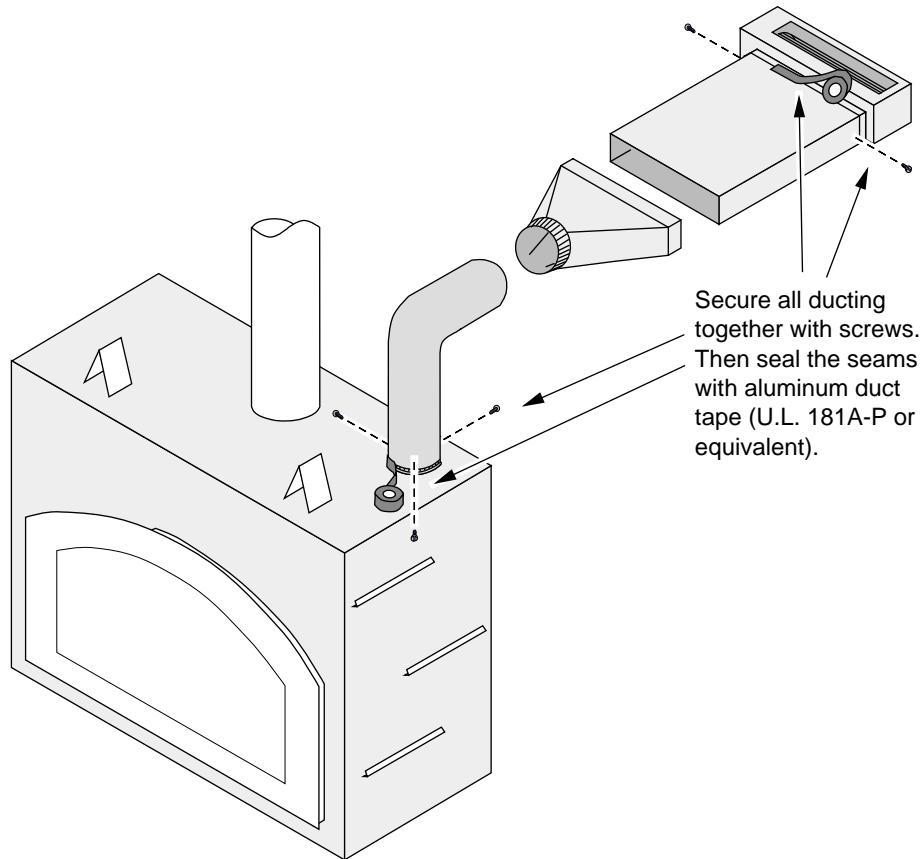


Attach the starter ring to the fireplace following the directions below (use the most convenient side - 864TRV has only one opening on the right side).

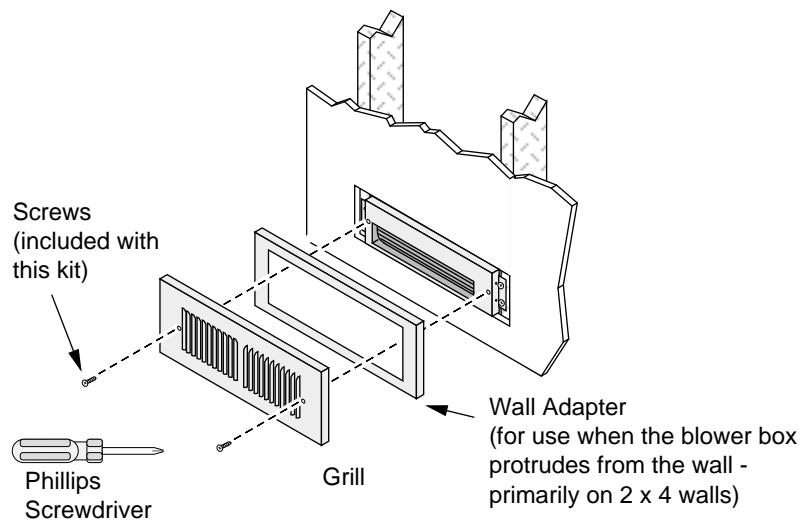


Install the air duct. Each section, when joined, must be attached with three screws and aluminum duct tape (U.L. 181A-P or equivalent). Secure the duct if it is in an area where it may sag or become dislodged.

NOTE: The air duct has a 0" clearance to combustibles.



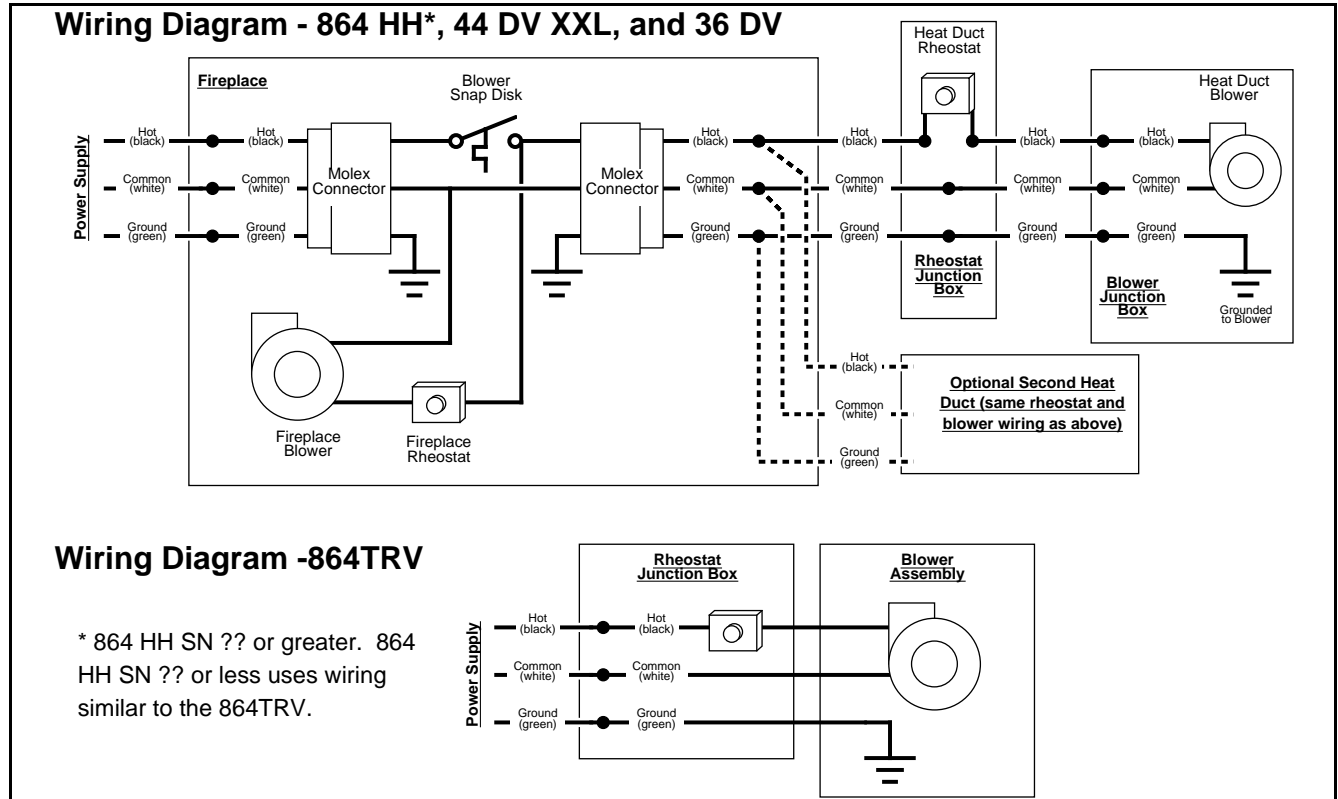
Attach the grill (and wall adapter, if necessary).



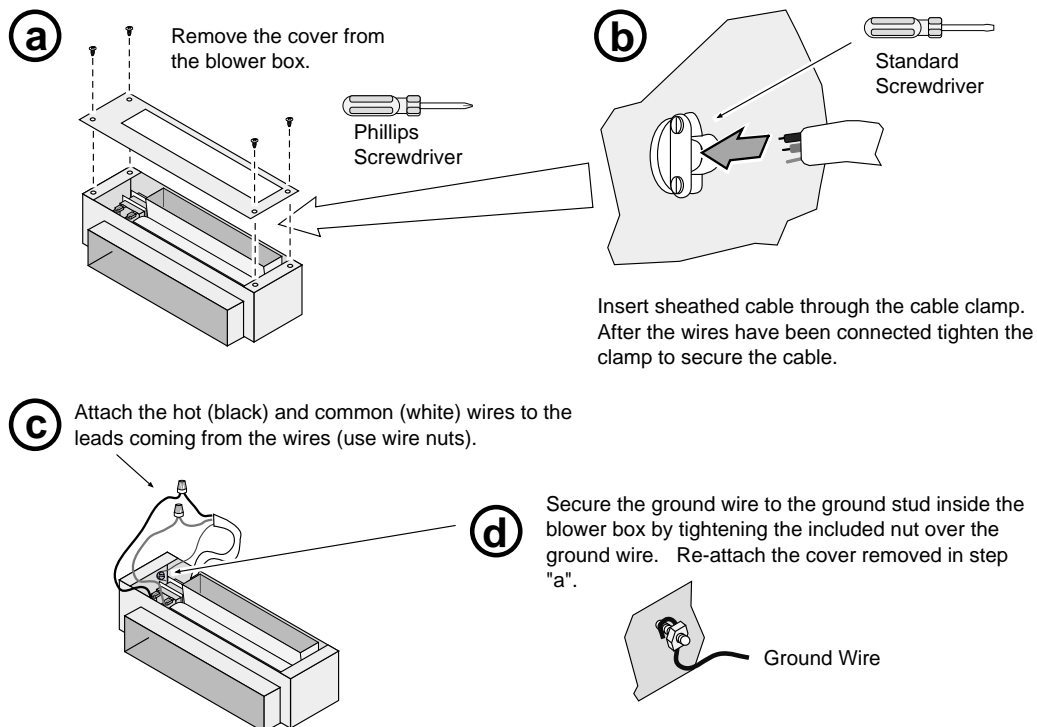
Wiring Instructions

Warning: All wiring should be done by a qualified electrician and shall be in compliance with local codes and with the current National Electric Code ANSI/NFPA 70.

Warning: Make sure the fireplace electrical circuit is disabled prior to working on electrical hookup.



- 1 Follow the directions below to wire the blower box.

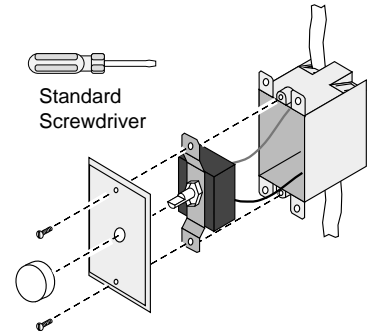
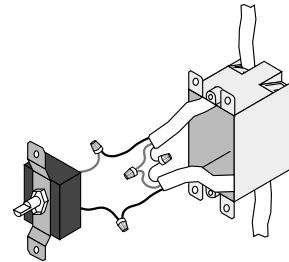
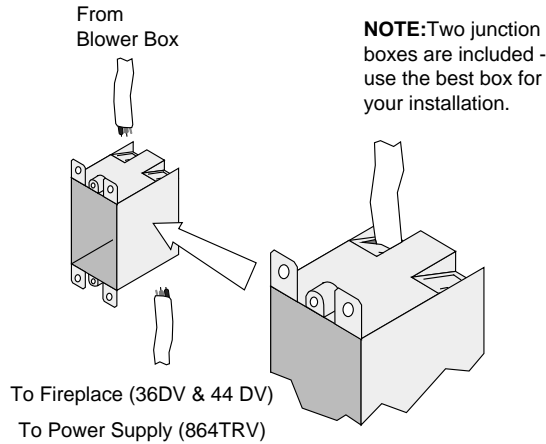


2 Follow the directions below to wire the rheostat. **NOTE:** There are two types of junction boxes, use the appropriate junction box for your installation.

(a) Force the sheathed cable through one of the locking flaps on the junction box (repeat for the other cable). Some force is needed. The flap will lock the cable in place.

(b) Attach the common (white) wires together. Attach the ground (exposed or green) wires together. Then attach each of the hot (black) wires from the cables to the two wires on the rheostat (orientation does not matter). Carefully pack the wires into the junction box.

(c) Attach the cover plate (either white or beige) with the included screws. Slide the knob (either white or beige) over the rheostat shaft.



3 Run the free wire from the rheostat junction box to the power supply. The thermodisk included with this kit may be discarded (it is not used on this fireplace).

Operating Instructions

Allow the fireplace to reach normal operating temperature. Then use the wall-mounted rheostat to operate the blower speed.

864TRV: Turn the blower off when the fireplace is not in operation.

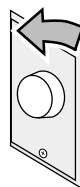
OFF

Turn the dial all the way counter-clockwise until it clicks off.



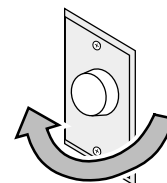
HIGH

The high position is all the way counter-clockwise, **without** clicking off.



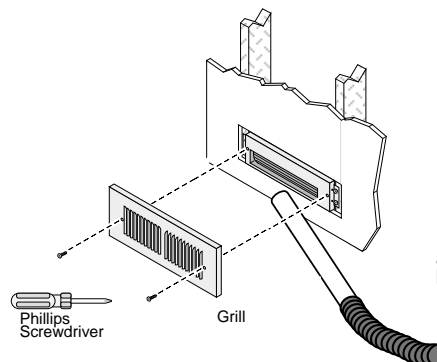
LOW

Turn the dial all the way clockwise.



MAINTENANCE INSTRUCTIONS

Once a year the grill should be removed and the blower area cleaned. Use a vacuum to clean around the squirrel-cage blower, being careful not to damage any of the blades.



Use a vacuum cleaner to remove any debris from the power vent blower.

Accent Light Installation (sku 94400100)

Make sure power to the fireplace has been turned off prior to installation (disable the service breaker).

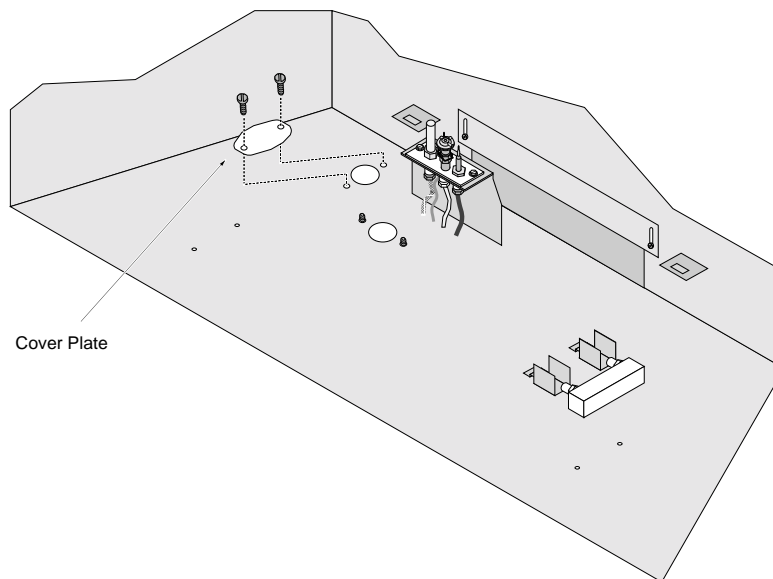


Do not connect 110-120 VAC to the gas control valve or the on/off circuit on this fireplace.

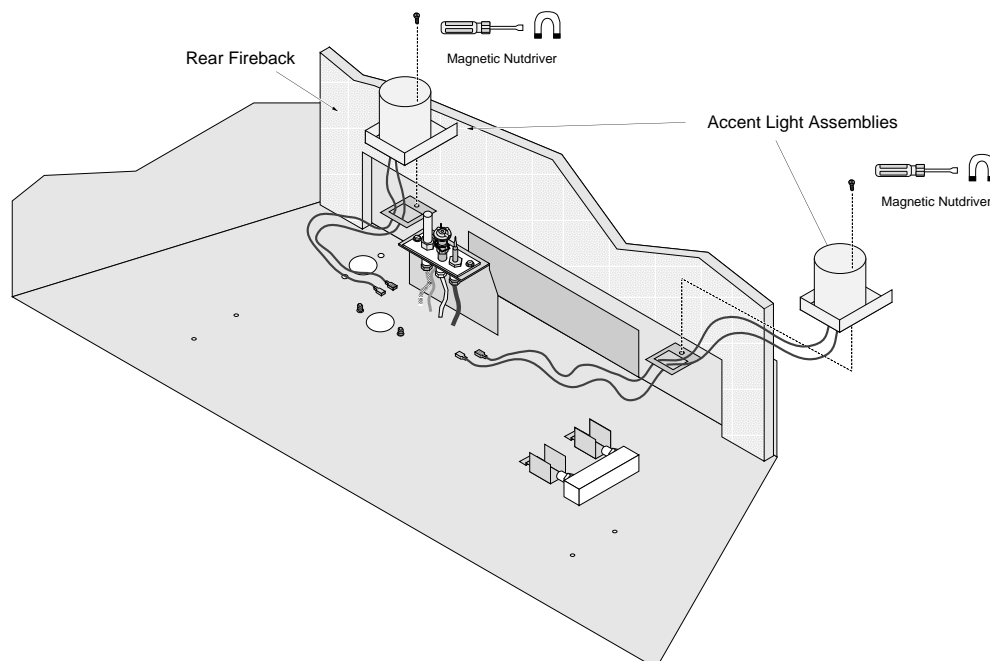


The accent light must be removed to install the rear fireback. The remaining firebacks are installed after the accent light is in place.

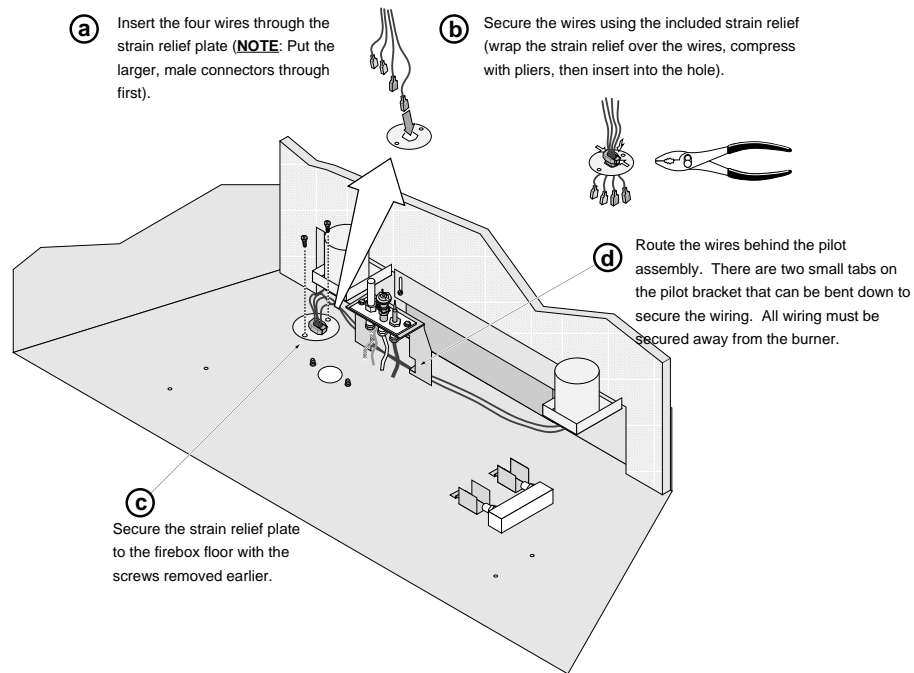
- 1 Remove the firebacks (if already installed – see page 47). Remove the burner (see 52 for details).
- 2 Remove the cover plate following the directions below.



- 3 Place the rear fireback in position and install the accent light assemblies following the directions below.



4 Install the strain relief plate to the firebox floor following the directions below.

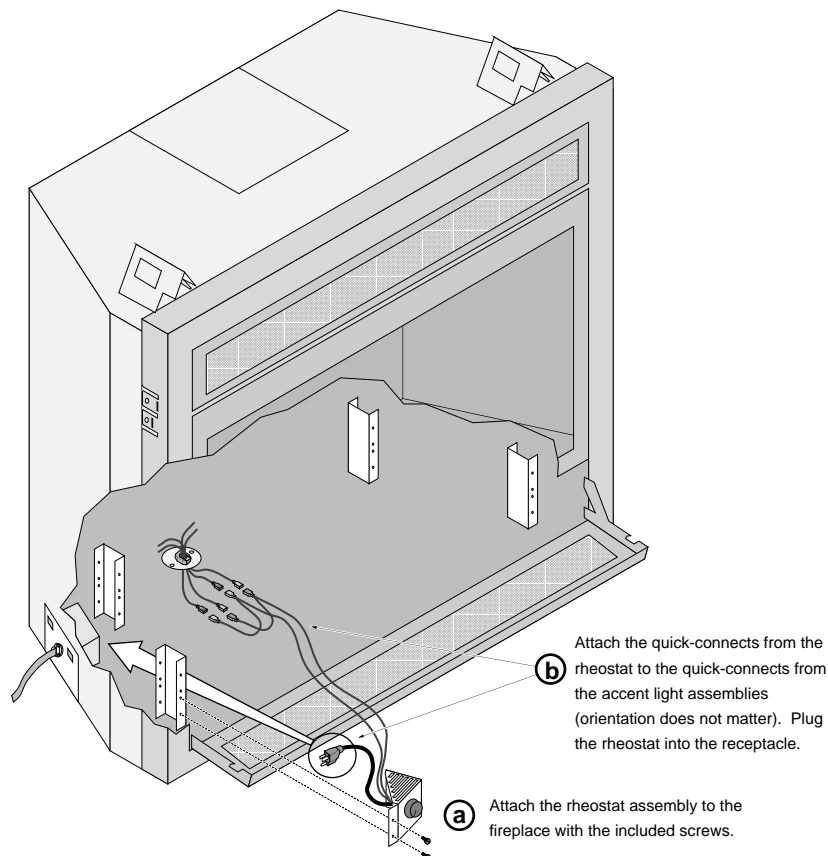


5 Restore the firebox to the correct configuration (replace the burner, firebacks, logs).



If using the optional wall-mounted rheostat, follow the directions on the following page "Wall Mounted Rheostat".

6 Install the rheostat assembly following the directions below.

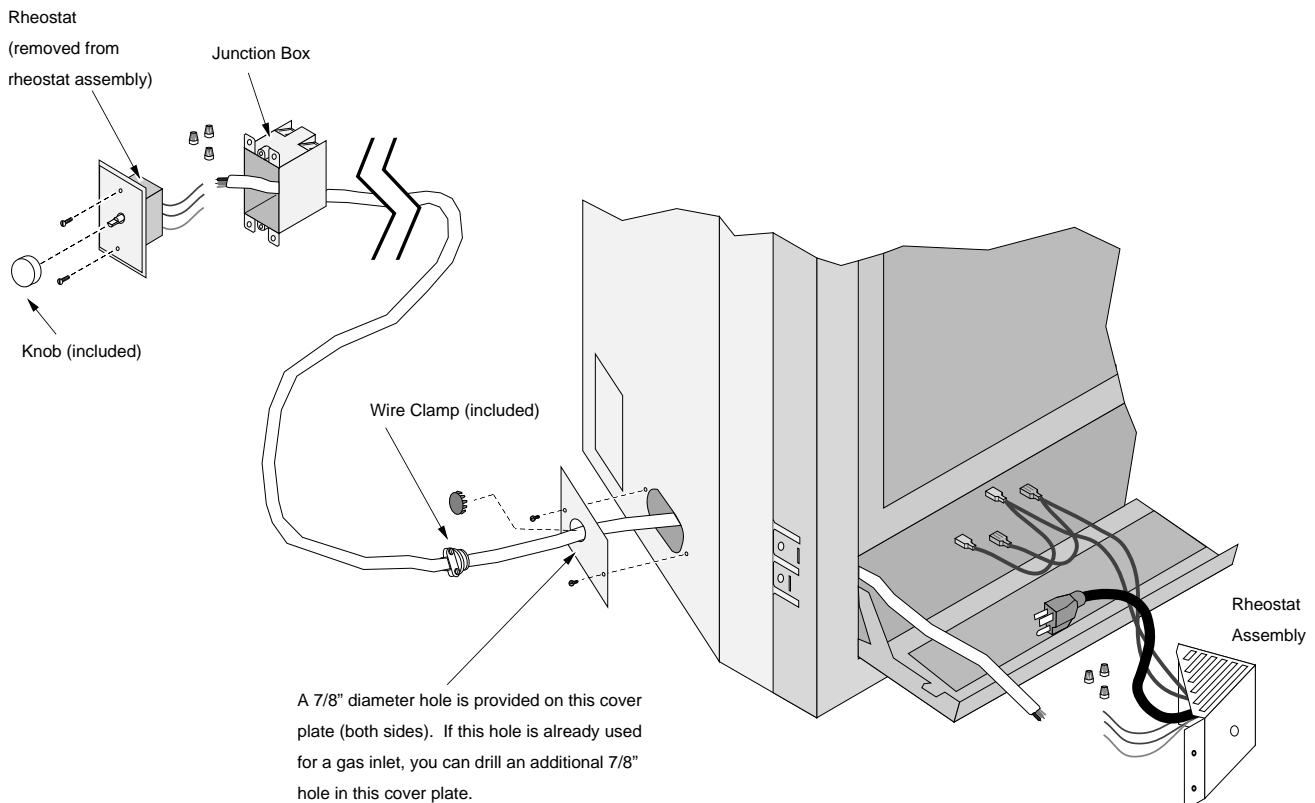


Optional Wall-Mounted Rheostat



NOTE: Many areas require all wiring to be installed by a qualified electrician. Check with your local building official for any requirements in your area.

- 1 Remove the rheostat from the rheostat assembly.
- 2 Detach the three wires leading from the rheostat (secured with wire nuts). Attach the rheostat assembly to the fireplace (see the illustration on the previous page). Attach the quick connects from the rheostat to the quick connects from the accent light assemblies (see the illustration on the previous page).
- 3 Attach three suitable wires (insulated & sheathed) to the rheostat. Install the rheostat into a junction box at the remote location. Run the wire from the junction box to the fireplace. Use the included wire clamp to secure the wiring as it passes through the fireplace (see the illustration below).
- 4 Connect the three wires from the rheostat to the three wires on the wiring harness disconnected in step 2 (use the included wire nuts). Plug the rheostat assembly into the receptacle inside the fireplace.



Accent Light Operation

OFF

Turn the dial all the way counter-clockwise until it clicks off.

**LOW**

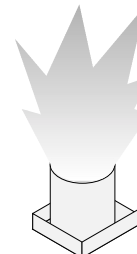
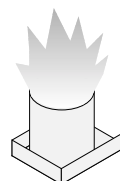
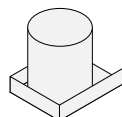
Turn the dial 180° clockwise until the light begins to glow.

**HIGH**

The high position is all the way clockwise.

**NOTE:**

The accent light responds best when turned to high, then turned down to the desired light level.



Index

Additional Items Required.....	7	Minimum Framing Dimensions - Rear Vent Configuration.....	12
Air Shutter Adjustment.....	44	Minimum Framing Dimensions - Top Vent Configuration.....	13
Altitude Considerations.....	21	Nailing Brackets.....	14
Approved Vent Configurations.....	23	Overview.....	2
Approved Vent.....	22	Packing List.....	7
Clearances.....	11	Pilot Flame Inspection.....	43
Converting the Fireplace to Top Vent Configuration.....	9	Extra Room Power Heat Duct.....	57
Corner Installations - Rear Vent Configuration.....	15	Raised Fireplaces.....	11
Corner Installations - Top Vent Configuration.....	16	Rear Vent Configuration with Horizontal Termination (no vertical rise).....	26
Diffuser Plate Adjustment.....	25	Rear Vent Configuration with Horizontal Termination (with vertical rise).....	27
Dimensions.....	6	Rear Vent Configuration with Vertical Termination.....	28
Drywall Installation.....	33	Recommended Installation Procedure.....	7
Electrical Connection (required).....	19	Remote Control Receiver Installation (2 Options).....	56
Exhaust Restrictor Adjustment.....	23	Restrictor Position.....	23
Facing Overview.....	34	Safety Precautions.....	4
Facing Requirements.....	33	Starting the Pilot Flame.....	43
Features.....	6	Steps for Finalizing the Installation.....	43
Fireback and Grate Installation.....	47	Termination Requirements.....	31
Fireplace Placement Requirements.....	11	Thick Facing Installation with FPX Arched Faces.....	38
Fuel.....	17	Thick Facing Installation.....	37
Gas Inlet Pressure.....	17	Thin Facing Installation.....	35
Gas Line Connection.....	17	Top Vent Configuration with Horizontal Termination.....	29
Gas Line Location.....	17	Top Vent Configuration with Vertical Termination.....	30
Gas Line Requirements.....	17	Vent Clearances.....	21
Glass Frame Removal and Installation.....	45	Vent Installation.....	22
Grill Installation.....	55	Vent Requirements.....	21
Hearth Requirements.....	32	Wall Switch Installation.....	20
Heating Specifications.....	6	Wall Switch or Thermostat Installation.....	20
Index.....	68	Wiring Diagram (Millivolt System).....	20
Installation Example - Build-In with Horizontal Termination.....	42		
Installation Options.....	6		
Installation Overview.....	7		
Intake Restrictor Adjustment.....	24		
Listing Details.....	2		
LP Conversion Instructions.....	47		
Mantel Requirements.....	40		

Free Manuals Download Website

<http://myh66.com>

<http://usermanuals.us>

<http://www.somanuals.com>

<http://www.4manuals.cc>

<http://www.manual-lib.com>

<http://www.404manual.com>

<http://www.luxmanual.com>

<http://aubethermostatmanual.com>

Golf course search by state

<http://golfingnear.com>

Email search by domain

<http://emailbydomain.com>

Auto manuals search

<http://auto.somanuals.com>

TV manuals search

<http://tv.somanuals.com>