

Goodman[®]

TECHNICAL MANUAL

CKF 50 Hz Condensing Units

- Refer to Service Manual RS6100004 for installation, operation, and troubleshooting information.
- All safety information must be followed as provided in the Service Manual.
- Refer to the appropriate Parts Catalog for part number information.
- Models listed on page 3.



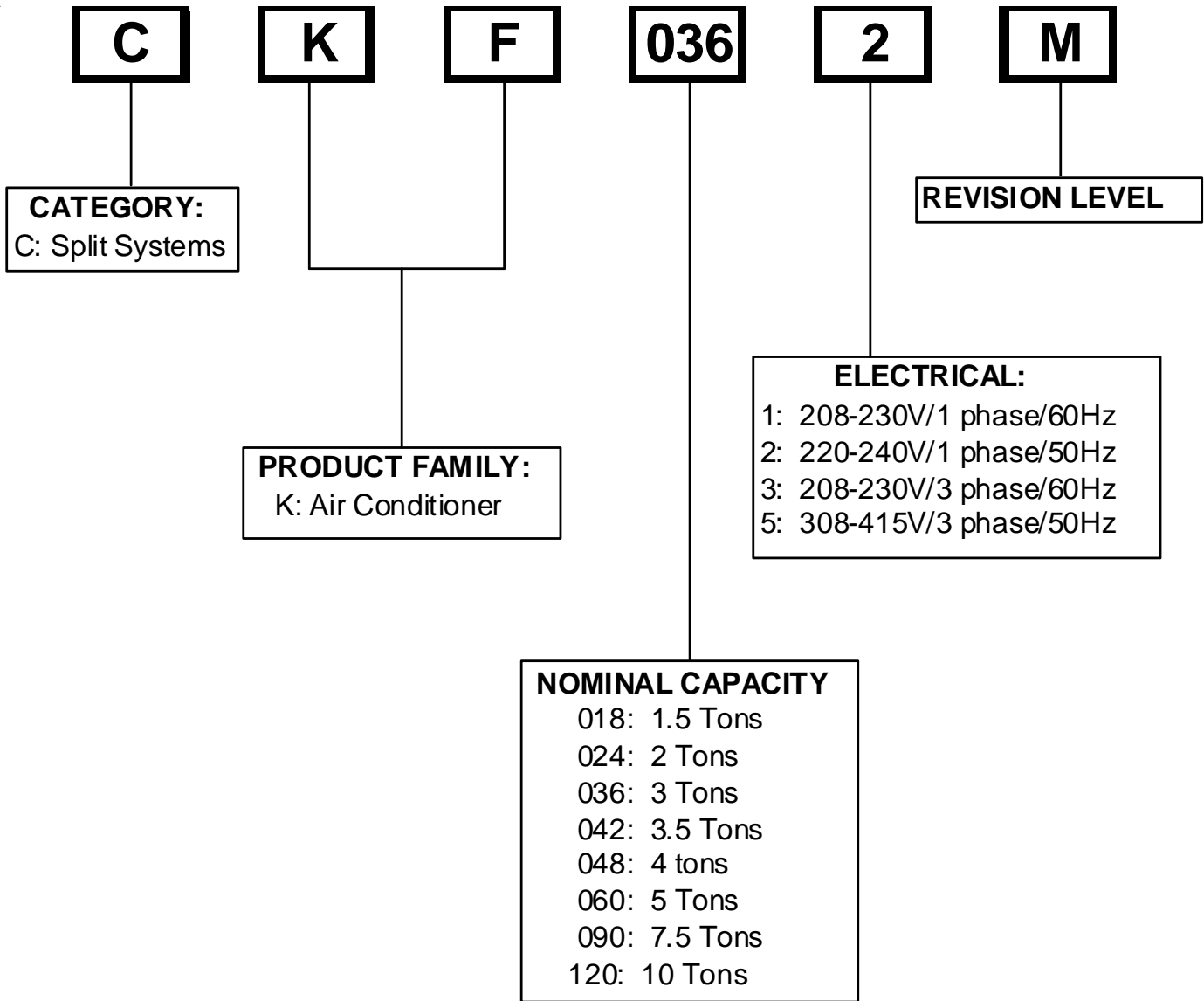
This manual is to be used by qualified, professionally trained HVAC technicians only. Goodman does not assume any responsibility for property damage or personal injury due to improper service procedures or services performed by an unqualified person.

RT6111009r4
January 2012

Copyright © 2007, 2010 - 2012 Goodman Manufacturing Company, L.P.

PRODUCT IDENTIFICATION

The model number is used for positive identification of component parts used in manufacturing. Please use this number when requesting service or parts information.



*CKF**-*P models are shipped with a nitrogen holding charge only.*

WARNING

HIGH VOLTAGE!

Disconnect ALL power before servicing or installing this unit. Multiple power sources may be present. Failure to do so may cause property damage, personal injury or death.



WARNING

Goodman will not be responsible for any injury or property damage arising from improper service or service procedures. If you install or perform service on this unit, you assume responsibility for any personal injury or property damage which may result. Many jurisdictions require a license to install or service heating and air conditioning equipment.

WARNING

Installation and repair of this unit should be performed ONLY by individuals meeting the requirements, at a minimum, of an "entry level technician" as specified by the Air-Conditioning, Heating, and Refrigeration Institute (AHRI). Attempting to install or repair this unit without such background may result in product damage, personal injury or death.

PRODUCT IDENTIFICATION

The model number is used for positive identification of component parts used in manufacturing. Please use this number when requesting service or parts information.

CKF24-2M	CKF24-2P
CKF24-2N	CKF36-2P
CKF36-2M	CKF36-5P
CKF36-2N	CKF48-5P
CKF36-5M	CKF60-5P
CKF36-5N	CKF70-5P
CKF48-5M	
CKF48-5N	
CKF60-5M	
CKF60-5N	
CKF70-5M	
CKF70-5N	

** Indicates minor revision & is not used for order entry or inventory management*

NOTE: CKF-*P* units are shipped without refrigerant and are pressurized with a nitrogen holding charge. This charge must be removed and unit evacuated and charged as per the installation instructions.**



The United States Environmental Protection Agency (“EPA”) has issued various regulations regarding the introduction and disposal of refrigerants introduced into this unit. Failure to follow these regulations may harm the environment and can lead to the imposition of substantial fines. These regulations may vary by jurisdiction. Should questions arise, contact your local EPA office.



Do not connect or use any device that is not design certified by Goodman for use with this unit. Serious property damage, personal injury, reduced unit performance and/or hazardous conditions may result from the use of such non-approved devices.



To prevent the risk of property damage, personal injury, or death, do not store combustible materials or use gasoline or other flammable liquids or vapors in the vicinity of this appliance.

PRODUCT DESIGN

CKF 50 Hz models are available in 2 through 6 ton sizes. They are designed for 220/240 to 380 volt single phase applications.

The condenser air is pulled through the condenser coil by a direct drive propeller fan. This condenser air is then discharged out of the top of the cabinet.

These units are designed for free air discharge, so no additional resistance like duct work shall be attached.

The suction and liquid line connections on present models are of the sweat type for field piping with refrigerant type copper. Back seating valves are factory installed to accept the field run copper. The total refrigerant charge for a normal installation is factory installed in the condensing unit. CKF units are charged for the matching evaporator coil and a 15 foot [5 m] refrigerant line set.

Systems should be properly sized by heat gain and loss calculations made according to methods of the Air Conditioning Contractors Association (ACCA) or equivalent. It is the contractors responsibility to ensure the system has adequate capacity to heat or cool the conditioned space.

CKF condensing units use a mix of Copeland Reciprocating® and Copeland Compliant® Scroll compressors. There are a number of design characteristics which are different from the scroll compared to the traditional reciprocating compressor.

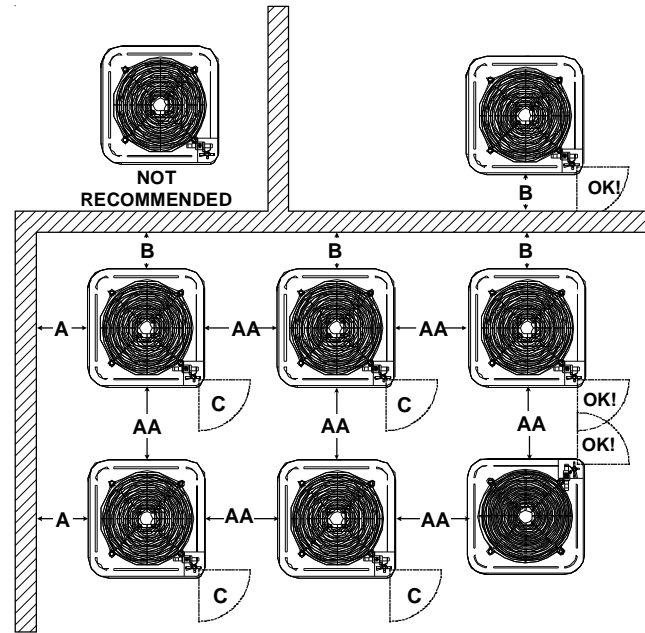
Due to their design Scroll compressors are inherently more tolerant of liquid refrigerant.

NOTE: Even though the compressor section of a Scroll compressor is more tolerant of liquid refrigerant, continued flood-back or flooded start conditions may wash oil from the bearing surfaces causing premature bearing failure.

Copeland Compliant® Scroll compressors use white oil which is compatible with 3GS. 3GS oil may be used if additional oil is required.

The CKF condensers use new generation scroll compressors. These compressors have an internal equalization mechanism and an anti-counter rotation device which allow the scrolls to equalize in approximately 1/2 second at shut down.

Operating pressures, amp draws and minimum circuit ampacity may differ from standard reciprocating compressors. This information may be found in the "Cooling Performance Data" section and should be reviewed prior to installation of the condenser.



Model Type	A	B	C	AA
Residential	10 [25]	10 [25]	18 [46]	20 [51]
Light Commercial	12 [30]	12 [30]	18 [46]	24 [61]

Measurements in inches. [] Designates metric equivalents.

Special consideration must be given to location of the condensing unit(s) in regard to structures, obstructions, other units, and any/all other factors that may interfere with air circulation. Where possible, the top of the unit should be completely unobstructed; however, if vertical conditions require placement beneath an obstruction **there should be a minimum of 60 in. [152 cm] between the top of the unit and the obstruction(s)**. The specified dimensions meet requirements for air circulation only. Consult all appropriate regulatory codes prior to determining final clearances.

Another important consideration in selecting a location for the unit(s) is the angle to obstructions. Either side adjacent the valves can be placed toward the structure provided the side away from the structure maintains minimum service clearance. Corner installations are strongly discouraged.

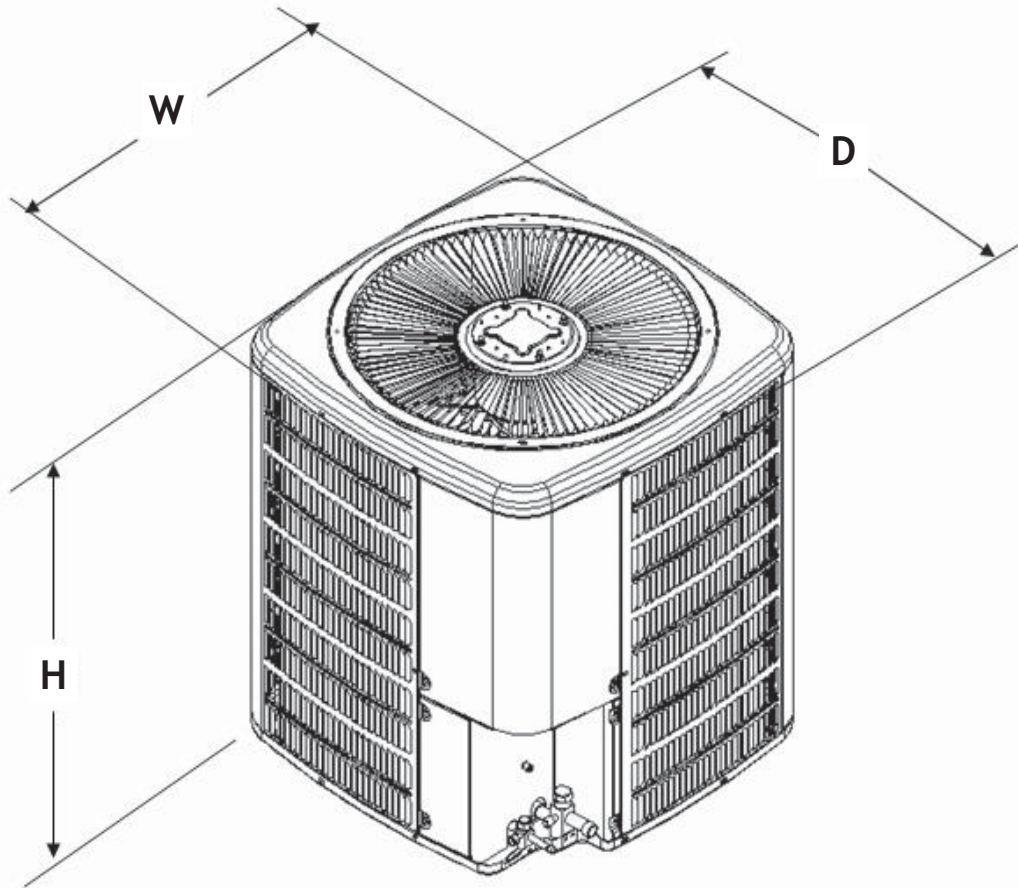
DO NOT locate the unit:

- Directly under a vent termination for a gas appliance.
- Within 3 feet [1 m] of a clothes dryer vent.
- Where the refreezing of defrost water would create a hazard.
- Where water may rise into the unit.

CKF-*P* models are shipped with a nitrogen holding charge only.**

PRODUCT DESIGN

Dimensions



Model	Dimensions - W x D x H
CKF24-2*	26" [660] x 26" [660] x 29¾ [756]
CKF36-2*	26" [660] x 26" [660] x 29¾ [756]
CKF36-5*	26" [660] x 26" [660] x 29¾ [756]
CKF48-5*	29" [737] x 29" [737] x 29¾ [756]
CKF60-5*	29" [737] x 29" [737] x 32¼ [819]
CKF70-5*	29" [737] x 29" [737] x 38¼ [972]

[] Designates metric equivalents

CONDENSING UNIT SPECIFICATIONS

	CKF24-2*	CKF36-2*	CKF36-5*	CKF48-5*	CKF60-5*	CKF70-5*
Cooling Capacity, BTUH/kW	24600/7.2	34000/10.0	34000/10.0	44000/12.9	55000/16.1	64000/18.8
Compressor						
R.L. Amps	12.50	17.9	5.3	7.4	9	10.9
L.R. Amps	61.0	97.4	42.0	50.0	74.0	101.0
High Pressure Switch-Open / Close	410/275	410/275	410/275	410/275	410/275	410/275
Condenser Fan Motor						
Horsepower	1/4	1/4	1/4	1/4	1/4	1/3
F.L. Amps	0.9	0.9	0.8	0.8	0.8	1.2
Liquid Line, Inches [mm] O.D.*	3/8 [9.6]	3/8 [9.6]	3/8 [9.6]	3/8 [9.6]	3/8 [9.6]	3/8 [9.6]
Suction Line, Inches [mm] O.D.*	3/4 [19.1]	3/4 [19.1]	7/8 [22.3]	7/8 [22.3]	7/8 [22.3]	7/8 [22.3]
Refrigerant Charge	88	89	89	113	121	153
Power Supply						
Minimum Circuit Ampacity ⁽¹⁾	16.6	23.3	7.5	10	12	14.8
Maximum Overcurrent Device ⁽²⁾	25	40	15	15	20	20
Electrical Conduit Size						
Power Supply (Inches) (mm)	1/2 or 3/4 [13 or 20]	1/2 or 3/4 [13 or 20]	1/2 or 3/4 [13 or 20]	1/2 or 3/4 [13 or 20]	1/2 or 3/4 [13 or 20]	1/2 or 3/4 [13 or 20]
Approximate Shipping Weight (lbs-[kg])	180 [82]	184 [84]	184 [84]	191 [87]	210 [96]	228 [104]

[] Designates metric equivalents

¹ Wire size should be determined in accordance with National Electrical Codes. Extensive wire runs will require larger wire sizes.

² May use fuses or HACR-type circuit breakers of the same size as noted.

NOTE: This data is provided as a guide, it is important to electrically connect the unit and properly size fuses/circuit breakers and wires in accordance with all national and/or local electrical codes. Use copper wire only.

CKF-*P* models are shipped with a nitrogen holding charge only.**

COOLING PERFORMANCE DATA

CKF24-2*

EXPANDED PERFORMANCE DATA

MODEL: CKF24-2* / A24-00-2RA

COOLING OPERATION

IDB	Airflow	Outdoor Ambient Temperature												Entering Indoor Wet Bulb Temperature																				
		65°F				75°F				85°F				95°F				105°F				115°F				118°F				125°F				
		59	63	67	71	59	63	67	71	59	63	67	71	59	63	67	71	59	63	67	71	59	63	67	71	59	63	67	71	59	63	67	71	
70	816	Mh	23.6	24.5	26.8	-	23.1	23.9	26.2	-	22.5	23.4	25.6	-	21.6	22.3	24.5	-	20.0	20.8	22.8	-	18.5	19.2	21.1	-	17.3	18.0	19.7	-	16.8	17.4	19.1	-
		S/T	0.69	0.57	0.40	-	0.73	0.61	0.42	-	0.77	0.64	0.44	-	0.81	0.68	0.48	-	0.82	0.69	0.48	-	0.84	0.70	0.49	-	0.85	0.71	0.49	-	0.85	0.71	0.49	-
		DT	18	16	12	-	19	16	12	-	19	16	12	-	19	16	12	-	18	16	12	-	17	15	11	-	16	14	11	-	16	14	11	-
		KW	2.03	2.08	2.15	-	2.20	2.25	2.32	-	2.35	2.40	2.48	-	2.50	2.55	2.64	-	2.60	2.66	2.76	-	2.70	2.76	2.86	-	2.74	2.80	2.90	-	2.75	2.82	2.91	-
		A/MS	9.8	10.1	10.4	-	10.6	10.8	11.1	-	11.4	11.6	12.0	-	12.1	12.4	12.8	-	12.8	13.1	13.5	-	13.5	13.8	14.3	-	14.0	14.3	14.8	-	14.2	14.5	15.0	-
		H/PR	155	167	177	-	174	188	198	-	198	213	225	-	226	243	257	-	254	273	289	-	281	302	319	-	298	321	339	-	305	329	347	-
	LOPR	56	60	65	-	59	63	69	-	61	65	71	-	65	69	75	-	68	72	79	-	70	74	81	-	71	76	83	-	72	76	83	-	
	Mh	23.3	24.1	26.4	-	22.7	23.6	25.8	-	22.2	23.0	25.2	-	21.2	22.0	24.1	-	19.8	20.5	22.4	-	18.3	18.9	20.7	-	17.1	17.7	19.4	-	16.6	17.2	18.8	-	
	S/T	0.66	0.55	0.38	-	0.68	0.57	0.39	-	0.70	0.58	0.40	-	0.74	0.61	0.43	-	0.78	0.65	0.45	-	0.79	0.66	0.46	-	0.80	0.67	0.47	-	0.81	0.68	0.47	-	
	DT	19	17	13	-	20	17	13	-	20	17	13	-	20	17	13	-	19	17	13	-	18	16	12	-	17	15	11	-	17	15	11	-	
	KW	2.02	2.07	2.13	-	2.19	2.24	2.31	-	2.33	2.38	2.46	-	2.48	2.54	2.62	-	2.59	2.65	2.74	-	2.68	2.74	2.84	-	2.72	2.78	2.88	-	2.74	2.80	2.90	-	
	A/MS	9.8	10.0	10.3	-	10.5	10.7	11.1	-	11.3	11.6	11.9	-	12.0	12.3	12.7	-	12.7	13.0	13.4	-	13.4	13.7	14.2	-	13.9	14.2	14.7	-	14.1	14.4	14.9	-	
H/PR	154	166	175	-	173	186	197	-	197	212	224	-	224	241	255	-	252	271	287	-	279	300	317	-	296	319	336	-	303	326	345	-		
LOPR	56	59	65	-	59	62	68	-	61	65	71	-	64	68	74	-	67	71	78	-	70	74	81	-	71	75	82	-	71	76	83	-		
75	816	Mh	22.1	22.9	25.1	-	21.6	22.4	24.5	-	21.1	21.9	23.9	-	20.2	20.9	22.9	-	18.8	19.5	21.3	-	17.4	18.0	19.7	-	16.2	16.8	18.4	-	15.7	16.3	17.9	-
		S/T	0.63	0.53	0.36	-	0.65	0.55	0.38	-	0.67	0.56	0.39	-	0.70	0.59	0.41	-	0.75	0.62	0.43	-	0.75	0.63	0.44	-	0.77	0.64	0.45	-	0.78	0.65	0.45	-
		DT	20	17	13	-	20	17	13	-	20	17	13	-	20	18	13	-	20	17	13	-	20	17	13	-	18	15	11	-	17	15	11	-
		KW	1.99	2.03	2.10	-	2.15	2.20	2.27	-	2.29	2.34	2.42	-	2.44	2.49	2.58	-	2.54	2.60	2.69	-	2.64	2.70	2.79	-	2.67	2.73	2.83	-	2.69	2.75	2.85	-
		A/MS	9.6	9.8	10.1	-	10.3	10.6	10.9	-	11.1	11.4	11.7	-	11.8	12.1	12.5	-	12.5	12.8	13.2	-	13.2	13.5	13.9	-	13.7	14.0	14.4	-	13.9	14.2	14.6	-
		H/PR	151	163	172	-	170	183	193	-	193	208	219	-	220	236	250	-	247	266	281	-	273	294	310	-	290	312	330	-	297	320	338	-
	LOPR	54	58	63	-	58	61	67	-	60	64	69	-	63	67	73	-	66	70	76	-	68	72	79	-	69	74	80	-	70	74	81	-	
	Mh	24.0	24.7	26.8	28.7	23.5	24.2	26.1	28.1	22.9	23.6	25.5	27.4	21.9	22.6	24.4	26.2	20.4	21.0	22.7	24.4	18.9	19.4	21.0	22.6	17.6	18.1	19.6	21.1	17.1	17.6	19.1	20.5	
	S/T	0.78	0.70	0.53	0.3	0.81	0.72	0.55	0.4	0.83	0.74	0.56	0.4	0.87	0.78	0.59	0.4	0.93	0.83	0.63	0.4	0.94	0.84	0.63	0.4	0.95	0.85	0.65	0.4	0.96	0.86	0.65	0.4	
	DT	21	19	16	11	21	20	16	11	21	20	16	11	22	20	16	11	21	20	16	11	20	18	15	10.4	19	17	14	9.9	19	17	14	9.7	
	KW	2.05	2.10	2.17	2.2	2.22	2.27	2.34	2.4	2.37	2.42	2.50	2.6	2.52	2.57	2.66	2.8	2.63	2.69	2.78	2.9	2.72	2.79	2.88	3.0	2.76	2.83	2.92	3.0	2.78	2.84	2.94	3.0	
	A/MS	9.9	10.1	10.4	10.7	10.6	10.8	11.1	11.5	11.5	11.7	12.1	12.5	12.2	12.5	12.9	13.3	12.9	13.2	13.6	14.1	13.6	14.0	14.4	14.9	14.1	14.4	14.9	15.4	14.3	14.6	15.1	15.6	
H/PR	157	169	178	186.0	176	189	200	208.7	200	216	228	237.4	228	245	259	270.3	257	276	292	304.1	284	305	322	336.0	301	324	342	356.9	309	332	351	365.8		
LOPR	57	60	66	70.0	60	64	69	73.9	62	66	72	76.8	65	69	76	80.7	68	73	79	84.6	71	75	82	87.5	72	76	83	88.9	72	77	84	89.5		
Mh	23.7	24.4	26.4	28.3	23.1	23.8	25.8	27.6	22.6	23.2	25.2	27.0	21.6	22.2	24.1	25.8	20.1	20.7	22.4	24.0	18.6	19.1	20.7	22.2	17.4	17.9	19.4	20.8	16.8	17.3	18.8	20.2		
S/T	0.75	0.67	0.51	0.3	0.78	0.69	0.52	0.3	0.79	0.71	0.54	0.3	0.84	0.75	0.57	0.4	0.89	0.79	0.60	0.4	0.90	0.80	0.61	0.4	0.91	0.82	0.62	0.4	0.92	0.82	0.62	0.4		
DT	22	21	17	12	23	21	17	12	23	21	17	12	23	21	17	12	22	21	17	12	21	19	16	10.9	20	18	15	10.4	20	18	15	10.2		
KW	2.04	2.08	2.15	2.2	2.21	2.25	2.33	2.4	2.35	2.40	2.49	2.6	2.50	2.56	2.65	2.8	2.61	2.67	2.76	2.9	2.71	2.77	2.86	3.0	2.74	2.81	2.91	3.0	2.76	2.82	2.92	3.0		
A/MS	9.9	10.1	10.4	10.7	10.6	10.8	11.1	11.5	11.4	11.7	12.0	12.4	12.1	12.4	12.8	13.2	12.9	13.1	13.6	14.0	13.6	13.9	14.3	14.8	14.0	14.3	14.8	15.3	14.2	14.6	15.0	15.5		
H/PR	156	168	177	184.7	175	188	199	207.3	199	214	226	235.7	227	244	257	268.5	255	274	290	302.0	282	303	320	333.7	299	322	340	354.4	306	330	348	363.2		
LOPR	56	60	65	69.5	59	63	69	73.4	62	66	72	76.3	65	69	75	80.1	68	72	79	84.0	70	75	82	86.9	71	76	83	88.3	72	76	83	88.9		
Mh	22.5	23.1	25.0	26.9	22.0	22.6	24.5	26.3	21.4	22.1	23.9	25.6	20.5	21.1	22.9	24.5	19.1	19.6	21.3	22.8	17.6	18.2	19.7	21.1	16.5	17.0	18.4	19.7	16.0	16.5	17.8	19.1		
S/T	0.72	0.64	0.49	0.3	0.74	0.66	0.50	0.3	0.76	0.68	0.52	0.3	0.80	0.72	0.54	0.3	0.85	0.76	0.57	0.4	0.86	0.77	0.58	0.4	0.88	0.78	0.59	0.4	0.88	0.79	0.60	0.4		
DT	23	21	17	12	23	21	18	12	23	21	18	12	23	22	18	12	23	21	17	12	22	20	16	11.3	21	19	16	10.7	20	19	15	10.5		
KW	2.01	2.05	2.12	2.2	2.17	2.22	2.29	2.4	2.31	2.36	2.44	2.5	2.46	2.52	2.60	2.7	2.57	2.63	2.72	2.8	2.66	2.72	2.81	2.9	2.70	2.76	2.85	3.0	2.71	2.78	2.87	3.0		
A/MS	9.7	9.9	10.2	10.6	10.4	10.6	11.0	11.3	11.2	11.5	11.8	12.2	11.9	12.2	12.6	13.0	12.6	12.9	13.3	13.8	13.3	13.6	14.1	14.6	13.8	14.1	14.5	15.1	14.0	14.3	14.7	15.3		
H/PR	153	164	174	181.0	171	184	195	203.1	195	210	221	231.0	222	239	252	263.1	250	269	284	296.0	276	297	314	327.0	293	315	333	347.3	300	323	341	356.0		
LOPR	55	59	64	68.1	58	62	68	71.9	60	64	70	74.8	63	68	74	78.5	67	71	77	82.3	69	73	80	85.1	70	74	81	86.5	70	75	82	87.1		

Shaded area is ACCA (TVA) conditions

COOLING PERFORMANCE DATA

CKF24-2*

EXPANDED PERFORMANCE DATA

MODEL: CKF24-2* / A24-00-2RA

COOLING OPERATION

IDB* Airflow	Outdoor Ambient Temperature												118°F												125°F																							
	65						75						85						95						105						115						118°F						125°F					
	59	63	67	71	75	79	59	63	67	71	75	79	59	63	67	71	75	79	59	63	67	71	75	79	59	63	67	71	75	79	59	63	67	71	75	79	59	63	67	71	75	79						
816	MBH	24.4	25.0	26.7	28.5	33.9	24.4	26.1	27.9	29.3	23.8	25.5	27.2	22.3	22.8	24.4	26.0	20.8	21.2	22.7	24.2	19.2	19.6	20.9	22.4	17.9	18.3	19.6	20.9	17.4	17.8	19.0	20.3	17.4	17.8	19.0	20.3	17.4	17.8	19.0	20.3							
	S/T	0.86	0.80	0.65	0.5	0.89	0.83	0.68	0.5	0.91	0.85	0.69	0.5	0.96	0.90	0.73	0.5	1.00	0.95	0.78	0.6	1.00	0.96	0.78	0.6	1.00	0.99	0.80	0.6	1.00	1.00	0.81	0.6	1.00	1.00	0.81	0.6	1.00	1.00	0.81	0.6							
	DT	24	24	20	16	24	23	20	16	24	23	20	16	24	23	20	16	23	20	16	22	21	18	14	20	20	18	14	20	20	17	13.8	20	18	14	20	20	18	14	20								
	KW	2.07	2.11	2.18	2.3	2.24	2.29	2.36	2.4	2.39	2.44	2.52	2.6	2.54	2.60	2.69	2.8	2.65	2.71	2.81	2.9	2.75	2.81	2.91	3.0	2.79	2.85	2.95	3.1	2.80	2.87	2.97	3.1	2.79	2.85	2.95	3.1	2.79	2.85	2.95	3.1							
	AMPS	10.0	10.2	10.5	10.9	10.7	11.0	11.3	11.7	11.6	11.8	12.2	12.6	12.3	12.6	13.0	13.4	13.0	13.3	13.8	14.2	13.8	14.1	14.5	15.0	14.2	14.6	15.0	15.6	14.4	14.8	15.2	15.8	14.4	14.6	15.0	15.6	14.4	14.8	15.2	15.8							
	HIPR	159	171	181	188.4	178	191	202	210.8	202	218	230	239.8	230	248	262	273.1	259	279	295	307.2	286	308	325	339.4	304	327	346	360.5	312	335	354	369.5	304	327	346	360.5	312	335	354	369.5							
	LOPR	57	61	66	70.7	60	64	70	74.7	63	67	73	77.6	66	70	77	81.5	69	73	80	85.4	71	76	83	88.4	73	77	84	89.8	73	78	85	90.4	73	77	84	89.8	73	78	85	90.4							
	MBH	24.1	24.6	26.3	28.1	23.5	24.0	25.7	27.5	23.0	23.5	25.1	26.8	22.0	22.5	24.0	25.7	20.4	20.9	22.3	23.9	18.9	19.3	20.6	22.1	17.7	18.1	19.3	20.6	17.1	17.5	18.7	20.0	17.1	17.5	18.7	20.0	17.1	17.5	18.7	20.0							
	S/T	0.82	0.77	0.63	0.5	0.85	0.80	0.65	0.5	0.87	0.82	0.67	0.5	0.92	0.86	0.70	0.5	0.97	0.91	0.74	0.6	0.98	0.92	0.75	0.6	0.99	0.94	0.77	0.6	1.00	1.00	0.81	0.6	1.00	1.00	0.81	0.6	1.00	1.00	0.81	0.6							
	DT	25	24	21	17	25	24	21	17	25	24	21	17	25	24	21	17	25	24	21	17	23	22	19	15.6	22	21	19	14.8	22	21	18	14.5	22	21	19	14.8	22	21	18	14.5							
KW	2.06	2.10	2.17	2.2	2.22	2.27	2.35	2.4	2.37	2.43	2.51	2.6	2.52	2.58	2.67	2.8	2.63	2.70	2.79	2.9	2.73	2.79	2.89	3.0	2.77	2.83	2.93	3.0	2.78	2.85	2.95	3.1	2.77	2.83	2.93	3.0	2.77	2.83	2.93	3.0								
AMPS	10.0	10.2	10.5	10.8	10.7	10.9	11.2	11.6	11.5	11.8	12.1	12.5	12.2	12.5	12.9	13.4	13.0	13.3	13.7	14.2	13.7	14.0	14.4	14.9	14.1	14.5	14.9	15.5	14.3	14.7	15.1	15.7	14.1	14.5	15.1	15.7	14.1	14.5	15.1	15.7								
HIPR	157	169	179	186.6	177	190	201	209.4	201	216	228	236.1	229	246	260	271.2	257	277	293	305.1	284	306	323	337.1	302	325	343	358.0	310	333	352	366.9	302	325	343	358.0	310	333	352	366.9								
LOPR	57	60	66	70.2	60	64	70	74.1	62	66	72	77.1	65	70	76	80.9	69	73	80	84.8	71	76	82	87.7	72	77	84	89.2	73	78	84	89.8	72	77	84	89.2	73	78	84	89.8								
MBH	22.9	23.4	25.0	26.7	22.3	22.8	24.4	26.1	21.8	22.3	23.8	25.5	20.9	21.3	22.8	24.4	19.4	19.8	21.2	22.7	18.0	18.4	19.6	21.0	16.8	17.2	18.3	19.6	16.3	16.6	17.8	19.0	16.3	16.6	17.8	19.0	16.3	16.6	17.8	19.0								
S/T	0.79	0.74	0.60	0.4	0.81	0.76	0.62	0.5	0.83	0.78	0.64	0.5	0.88	0.82	0.67	0.5	0.93	0.87	0.71	0.5	0.94	0.88	0.72	0.5	0.96	0.90	0.73	0.5	0.97	0.91	0.74	0.6	0.97	0.91	0.74	0.6	0.97	0.91	0.74	0.6								
DT	26	25	21	17	26	25	22	17	26	25	22	17	26	25	22	17	26	25	22	17	24	23	20	16	23	22	19	15.3	23	22	19	15.0	23	22	19	15.3	23	22	19	15.0								
KW	2.02	2.07	2.13	2.2	2.19	2.24	2.31	2.4	2.33	2.38	2.46	2.5	2.48	2.54	2.62	2.7	2.59	2.65	2.74	2.8	2.68	2.74	2.84	2.9	2.72	2.78	2.88	3.0	2.74	2.80	2.90	3.0	2.72	2.78	2.88	3.0	2.72	2.78	2.88	3.0								
AMPS	9.8	10.0	10.3	10.6	10.5	10.7	11.1	11.4	11.3	11.6	11.9	12.3	12.0	12.3	12.7	13.1	12.7	13.0	13.4	13.9	13.4	13.7	14.2	14.7	13.9	14.2	14.7	15.2	14.1	14.4	14.9	15.4	14.1	14.4	14.9	15.4	14.1	14.4	14.9	15.4								
HIPR	154	166	175	182.8	173	186	197	205.2	197	212	224	233.3	224	241	255	265.8	252	271	287	299.0	279	300	317	330.3	296	319	336	350.8	303	326	345	359.6	296	319	336	350.8	303	326	345	359.6								
LOPR	56	59	65	68.8	59	62	68	72.7	61	65	71	75.5	64	68	74	79.3	67	71	78	83.1	70	74	81	86.0	71	75	82	87.4	71	76	83	88.0	71	76	83	88.0	71	76	83	88.0								

IDB* Airflow	Outdoor Ambient Temperature												118°F												125°F																							
	65						75						85						95						105						115						118°F						125°F					
	59	63	67	71	75	79	59	63	67	71	75	79	59	63	67	71	75	79	59	63	67	71	75	79	59	63	67	71	75	79	59	63	67	71	75	79	59	63	67	71	75	79						
816	MBH	24.9	25.3	26.5	28.3	24.3	24.8	25.9	27.7	23.7	24.2	25.3	27.0	22.7	23.1	24.2	25.9	21.1	21.5	22.5	24.0	19.5	19.9	20.8	22.2	18.3	18.6	19.5	20.8	17.7	18.1	18.9	20.2	17.7	18.1	18.9	20.2	17.7	18.1	18.9	20.2							
	S/T	0.90	0.87	0.78	0.6	0.93	0.90	0.81	0.7	0.95	0.92	0.83	0.7	1.00	0.97	0.87	0.7	1.00	1.00	0.93	0.8	1.00	1.00	0.94	0.8	1.00	1.00	0.96	0.8	1.00	1.00	0.96	0.8	1.00	1.00	0.96	0.8	1.00	1.00	0.96	0.8							
	DT	25	25	23	20	25	25	24	21	26	25	24	21	26	25	24	21	24	24	24	20	22	22	22	19	21	21	21	21	21	21	17.8	20	20	20	21	21	21	21	17.8								
	KW	2.09	2.13	2.20	2.3	2.26	2.31	2.38	2.5	2.41	2.46	2.54	2.6	2.56	2.62	2.71	2.8	2.67	2.74	2.83	2.9	2.77	2.84	2.93	3.0	2.81	2.88	2.98	3.1	2.83	2.89	2.99	3.1	2.81	2.88	2.98	3.1	2.81	2.88	2.98	3.1							
	AMPS	10.1	10.3	10.6	11.0	10.8	11.1	11.4	11.8	11.7	11.9	12.3	12.7	12.4	12.7	13.1	13.5	13.2	13.5	13.9	14.4	13.9	14.2	14.6	15.2	14.4	14.7	15.2	15.7	14.6	14.9	15.4	15.9	14.4	14.7	15.2	15.7	14.6	14.9	15.4	15.9							
	HIPR	160	172	182	189.8	180	193	204	212.9	204	220	232	242.2	233	250	264	275.8	262	282	297	310.3	289	311	329	342.8	307	331	349	364.1	315	339	358	373.2	307	331	349	364.1	315	339	358	373.2							
	LOPR	58	61	67	71.4	61	65	71	75.4	63	67	74	78.4	67	71	77	82.3	70	74	81	86.3	72	77	84	89.2	73	78	85	90.7	74	79	86	91.3	74	79	86	91.3	74	79	86	91.3							
	MBH	24.5	25.0	26.1	27.9	23.9	24.4	25.6	27.3	23.4	23.8	25.0	26.6	22.4	22.8	23.9	25.5	20.8	21.2	22.2	23.7	19.2	19.6	20.5	21.9	18.0	18.3	19.2	20.5	17.4	17.8	18.6	19.9	17.4	17.8	18.6	19.9	17.4	17.8	18.6	19.9							
	S/T	0.86	0.83	0.75	0.6	0.89	0.86	0.78	0.6	0.91	0.88	0.80	0.6	0.96	0.93	0.84	0.7	1.00	0.98	0.89	0.7	1.00	0.99	0.90	0.7	1.00	1.00	0.92	0.7	1.00	1.00	0.92	0.7	1.00	1.00	0.92	0.7	1.00	1.00	0.92	0.7							
	DT	27	26	25	21	27	26	25	22	27	26	25	22	27	27	25	22	26	26	25	21	24	25	23	20	23	23	22	22	22	22	18.7	22	22	22	18.7	22	22	22	18.7								
KW	2.07	2.12	2.19	2.3	2.24	2.29	2.37	2.5	2.39	2.45	2.53	2.6	2.55	2.60	2.69	2.8	2.66																															

COOLING PERFORMANCE DATA

CKF36-2*

EXPANDED PERFORMANCE DATA

MODEL: CKF36-2* / A36-00-2

COOLING OPERATION

IDB	Airflow	Outdoor Ambient Temperature												Cooling Operation																					
		65°F				75°F				85°F				105°F				115°F				118°F				125°F									
		59	63	67	71	59	63	67	71	59	63	67	71	59	63	67	71	59	63	67	71	59	63	67	71	59	63	67	71						
70	1229	MBh	32.5	33.6	36.9	-	31.7	32.9	36.0	-	31.0	32.1	35.2	-	29.6	30.7	33.7	-	27.6	28.6	31.3	-	25.5	26.4	28.9	-	23.8	24.7	27.1	-	23.1	24.0	26.3	-	
		S/T	0.71	0.59	0.41	-	0.74	0.62	0.43	-	0.76	0.63	0.44	-	0.80	0.66	0.46	-	0.84	0.70	0.49	-	0.85	0.71	0.49	-	0.87	0.73	0.50	-	0.88	0.73	0.51	-	
		DI	17	15	11	-	17	15	11	-	18	15	12	-	18	15	12	-	17	15	11	-	16	14	11	-	15	13	10	-	15	13	10	-	
		KW	2.67	2.73	2.83	-	2.90	2.97	3.07	-	3.31	3.39	3.51	-	3.46	3.54	3.67	-	3.64	3.73	3.86	-	3.59	3.68	3.81	-	3.64	3.73	3.86	-	3.66	3.75	3.89	-	
		AMPS	14.8	15.1	15.6	-	15.9	16.3	16.8	-	17.3	17.7	18.2	-	18.4	18.9	19.5	-	19.6	20.0	20.7	-	20.7	21.2	21.9	-	21.5	22.0	22.7	-	21.8	22.3	23.0	-	
		H IPR	161	174	183	-	181	195	206	-	206	222	234	-	234	252	266	-	264	284	300	-	291	314	331	-	310	333	352	-	317	341	361	-	
	LO PR	55	58	63	-	58	61	67	-	60	64	70	-	63	67	73	-	66	70	77	-	68	73	79	-	69	74	80	-	70	74	81	-		
	MBh	32.0	33.1	36.3	-	31.2	32.4	35.5	-	30.5	31.6	34.7	-	29.2	30.3	33.2	-	27.2	28.2	30.8	-	25.1	26.0	28.5	-	23.5	24.3	26.7	-	22.8	23.6	25.9	-		
	S/T	0.68	0.57	0.39	-	0.71	0.59	0.41	-	0.72	0.60	0.42	-	0.76	0.64	0.44	-	0.81	0.67	0.47	-	0.82	0.68	0.47	-	0.83	0.70	0.48	-	0.84	0.70	0.49	-		
	DI	18	16	12	-	18	16	12	-	18	16	12	-	19	16	12	-	18	16	12	-	17	15	11	-	16	14	11	-	16	14	11	-		
	KW	2.66	2.72	2.81	-	2.88	2.95	3.05	-	3.08	3.16	3.27	-	3.29	3.37	3.49	-	3.44	3.52	3.65	-	3.57	3.65	3.78	-	3.62	3.71	3.84	-	3.64	3.73	3.86	-		
	AMPS	14.7	15.0	15.5	-	15.8	16.2	16.7	-	17.1	17.6	18.1	-	18.3	18.7	19.3	-	19.4	19.9	20.6	-	20.6	21.1	21.8	-	21.3	21.8	22.6	-	21.6	22.2	22.9	-		
H IPR	160	172	182	-	180	193	204	-	204	220	232	-	233	251	265	-	262	282	298	-	289	311	329	-	307	331	349	-	315	339	358	-			
LO PR	54	58	63	-	57	61	66	-	59	63	69	-	62	66	73	-	65	70	76	-	68	72	79	-	69	73	80	-	69	74	80	-			
971	1229	MBh	30.4	31.5	34.5	-	29.7	30.8	33.7	-	29.0	30.1	32.9	-	27.7	28.8	31.5	-	25.8	26.7	29.3	-	23.9	24.7	27.1	-	22.3	23.1	25.3	-	21.6	22.4	24.6	-	
		S/T	0.65	0.55	0.38	-	0.68	0.57	0.39	-	0.69	0.58	0.40	-	0.73	0.61	0.42	-	0.77	0.65	0.45	-	0.78	0.65	0.45	-	0.80	0.67	0.46	-	0.80	0.67	0.47	-	
		DI	19	16	12	-	19	16	12	-	19	16	13	-	19	17	13	-	19	16	12	-	18	15	12	-	17	15	11	-	16	14	11	-	
		KW	2.61	2.67	2.76	-	2.83	2.90	3.00	-	3.03	3.10	3.21	-	3.23	3.31	3.42	-	3.38	3.46	3.58	-	3.50	3.59	3.72	-	3.55	3.64	3.77	-	3.58	3.66	3.79	-	
		AMPS	14.4	14.8	15.2	-	15.5	15.9	16.4	-	16.8	17.2	17.8	-	18.0	18.4	19.0	-	19.1	19.6	20.2	-	20.2	20.7	21.4	-	20.9	21.4	22.1	-	21.2	21.8	22.5	-	
		H IPR	157	169	178	-	176	190	200	-	200	216	228	-	228	246	259	-	257	276	292	-	284	305	322	-	301	324	342	-	309	332	351	-	
	LO PR	53	56	62	-	56	60	65	-	58	62	68	-	61	65	71	-	64	68	74	-	66	71	77	-	67	72	78	-	68	72	79	-		
	75	1229	MBh	33.0	34.0	36.8	39.5	32.3	33.2	35.9	38.6	31.5	32.4	35.1	37.7	30.1	31.0	33.6	36.1	28.0	28.9	31.2	33.5	25.9	26.7	28.9	31.0	24.2	25.0	27.0	29.0	23.5	24.2	26.2	28.1
			S/T	0.81	0.72	0.55	0.4	0.84	0.75	0.57	0.4	0.86	0.77	0.58	0.4	0.90	0.81	0.61	0.4	0.96	0.86	0.65	0.4	0.97	0.87	0.66	0.4	0.99	0.88	0.67	0.4	1.00	0.89	0.67	0.4
			DI	20	18	15	10	20	19	15	11	20	19	15	11	20	19	15	11	20	19	15	10	19	17	14	9.8	18	16	14	9.3	18	16	13	9.1
			KW	2.70	2.76	2.85	3.0	2.93	3.00	3.10	3.2	3.13	3.20	3.32	3.4	3.34	3.42	3.54	3.7	3.49	3.58	3.70	3.8	3.62	3.71	3.84	4.0	3.68	3.76	3.90	4.0	3.70	3.79	3.92	4.1
			AMPS	14.9	15.2	15.7	16.3	16.1	16.4	17.0	17.6	17.4	17.8	18.4	19.1	18.6	19.0	19.6	20.4	19.7	20.2	20.9	21.7	20.9	21.4	22.1	22.9	21.7	22.2	22.9	23.8	22.0	22.5	23.3	24.1
H IPR			163	175	185	193.2	183	197	208	216.7	208	224	236	246.5	237	255	269	280.7	266	287	303	315.8	294	317	335	349.0	313	336	355	370.6	320	345	364	379.8	
LO PR		55	59	64	68.1	58	62	68	72.0	60	64	70	74.8	64	68	74	78.6	67	71	77	82.3	69	73	80	85.2	70	74	81	86.5	70	75	82	87.1		
MBh		32.5	33.5	36.2	38.9	31.8	32.7	35.4	38.0	31.0	32.0	34.6	37.1	29.7	30.6	33.1	35.5	27.6	28.4	30.8	33.0	25.5	26.3	28.5	30.6	23.9	24.6	26.6	28.6	23.2	23.9	25.8	27.7		
S/T		0.78	0.69	0.52	0.3	0.80	0.72	0.54	0.3	0.82	0.74	0.56	0.4	0.87	0.77	0.59	0.4	0.92	0.82	0.62	0.4	0.93	0.83	0.63	0.4	0.95	0.85	0.64	0.4	0.95	0.85	0.65	0.4		
DI		21	19	16	11	21	20	16	11	21	20	16	11	21	20	16	11	21	20	16	11	20	18	15	10.3	19	17	14	9.8	18	17	14	9.6		
KW		2.68	2.74	2.84	2.9	2.91	2.98	3.08	3.2	3.11	3.18	3.30	3.4	3.32	3.40	3.52	3.6	3.47	3.55	3.68	3.8	3.60	3.69	3.82	4.0	3.65	3.74	3.87	4.0	3.67	3.76	3.90	4.0		
AMPS		14.8	15.1	15.6	16.2	16.0	16.3	16.9	17.5	17.3	17.7	18.3	19.0	18.5	18.9	19.5	20.2	19.6	20.1	20.8	21.5	20.8	21.3	22.0	22.8	21.5	22.0	22.8	23.6	21.8	22.4	23.1	24.0		
H IPR	162	174	184	191.8	182	195	206	215.2	207	222	235	244.8	235	253	267	278.8	265	285	301	313.6	292	315	332	346.5	310	334	353	368.0	318	342	362	377.2			
LO PR	55	58	64	67.6	58	61	67	71.5	60	64	70	74.3	63	67	73	78.0	66	70	77	81.8	68	73	79	84.6	69	74	81	85.9	70	74	81	86.5			
971	1229	MBh	30.9	31.8	34.4	37.0	30.2	31.1	33.6	36.1	29.5	30.4	32.9	35.3	28.2	29.1	31.4	33.7	26.2	27.0	29.2	31.4	24.3	25.0	27.0	29.0	22.7	23.4	25.3	27.1	22.0	22.7	24.5	26.3	
		S/T	0.74	0.66	0.50	0.3	0.77	0.69	0.52	0.3	0.79	0.71	0.53	0.3	0.83	0.74	0.56	0.4	0.88	0.79	0.60	0.4	0.89	0.79	0.60	0.4	0.91	0.81	0.61	0.4	0.91	0.82	0.62	0.4	
		DI	22	20	16	11	22	20	17	11	22	20	17	11	22	20	17	12	22	20	16	11	20	19	15	10.6	19	18	15	10.1	19	18	14	9.3	
		KW	2.63	2.69	2.79	2.9	2.86	2.92	3.03	3.1	3.06	3.13	3.24	3.4	3.26	3.34	3.45	3.6	3.41	3.49	3.61	3.7	3.54	3.62	3.75	3.9	3.59	3.67	3.80	3.9	3.61	3.70	3.83	4.0	
		AMPS	14.5	14.9	15.4	15.9	15.7	16.0	16.6	17.2	17.0	17.4	18.0	18.6	18.1	18.6	19.2	19.9	19.3	19.7	20.4	21.1	20.4	20.9	21.6	22.4	21.1	21.6	22.4	23.2	21.4	22.0	22.7	23.5	
		H IPR	159	171	180	188.0	178	192	202	210.9	202	218	230	239.9	231	248	262	273.2	259	279	295	307.4	287	308	326	339.6	304	327	346	360.6	312	336	354	369.7	
	LO PR	54	57	62	66.3	57	60	66	70.8	59	63	68	72.8	62	66	72	76.5	65	69	75	80.1	67	71	78	82.9	68	72	79	84.2	69	73	80	84.8		

Shaded area is ACOA (TVA) conditions IDB

COOLING PERFORMANCE DATA

CKF36-2*

EXPANDED PERFORMANCE DATA

MODEL: CKF36-2* / A36-00-2

COOLING OPERATION

IDB* Airflow	Outdoor Ambient Temperature														115														118°F														125°F																																																																																																																																																																																																																																																																																																																																																																																																																																																																																																																																																																																																																																																																																																																																																																																																																																																																																																																																																																																																																																																																																																			
	65							75							85							95							105							115							118°F							125°F																																																																																																																																																																																																																																																																																																																																																																																																																																																																																																																																																																																																																																																																																																																																																																																																																																																																																																																																																																																																																																																																																												
	59	63	67	71	75	79	83	59	63	67	71	75	79	83	59	63	67	71	75	79	83	59	63	67	71	75	79	83	59	63	67	71	75	79	83	59	63	67	71	75	79	83	59	63	67	71	75	79	83																																																																																																																																																																																																																																																																																																																																																																																																																																																																																																																																																																																																																																																																																																																																																																																																																																																																																																																																																																																																																																																																																													
1229	MBh	33.6	34.3	36.7	39.2	42.8	33.5	35.8	38.3	42.1	32.8	35.3	37.7	41.6	32.3	34.5	36.9	40.2	30.9	33.0	35.3	38.1	28.7	30.7	32.8	35.0	38.0	41.0	28.5	29.2	31.2	33.3	35.4	37.5	39.6	41.7	43.8	45.9	48.0	50.1	52.2	54.3	56.4	58.5	60.6	62.7	64.8	66.9	69.0	71.1	73.2	75.3	77.4	79.5	81.6	83.7	85.8	87.9	90.0	92.1	94.2	96.3	98.4	100.5	102.6	104.7	106.8	108.9	111.0	113.1	115.2	117.3	119.4	121.5	123.6	125.7	127.8	129.9	132.0	134.1	136.2	138.3	140.4	142.5	144.6	146.7	148.8	150.9	153.0	155.1	157.2	159.3	161.4	163.5	165.6	167.7	169.8	171.9	174.0	176.1	178.2	180.3	182.4	184.5	186.6	188.7	190.8	192.9	195.0	197.1	199.2	201.3	203.4	205.5	207.6	209.7	211.8	213.9	216.0	218.1	220.2	222.3	224.4	226.5	228.6	230.7	232.8	234.9	237.0	239.1	241.2	243.3	245.4	247.5	249.6	251.7	253.8	255.9	258.0	260.1	262.2	264.3	266.4	268.5	270.6	272.7	274.8	276.9	279.0	281.1	283.2	285.3	287.4	289.5	291.6	293.7	295.8	297.9	300.0	302.1	304.2	306.3	308.4	310.5	312.6	314.7	316.8	318.9	321.0	323.1	325.2	327.3	329.4	331.5	333.6	335.7	337.8	339.9	342.0	344.1	346.2	348.3	350.4	352.5	354.6	356.7	358.8	360.9	363.0	365.1	367.2	369.3	371.4	373.5	375.6	377.7	379.8	381.9	384.0	386.1	388.2	390.3	392.4	394.5	396.6	398.7	400.8	402.9	405.0	407.1	409.2	411.3	413.4	415.5	417.6	419.7	421.8	423.9	426.0	428.1	430.2	432.3	434.4	436.5	438.6	440.7	442.8	444.9	447.0	449.1	451.2	453.3	455.4	457.5	459.6	461.7	463.8	465.9	468.0	470.1	472.2	474.3	476.4	478.5	480.6	482.7	484.8	486.9	489.0	491.1	493.2	495.3	497.4	499.5	501.6	503.7	505.8	507.9	510.0	512.1	514.2	516.3	518.4	520.5	522.6	524.7	526.8	528.9	531.0	533.1	535.2	537.3	539.4	541.5	543.6	545.7	547.8	549.9	552.0	554.1	556.2	558.3	560.4	562.5	564.6	566.7	568.8	570.9	573.0	575.1	577.2	579.3	581.4	583.5	585.6	587.7	589.8	591.9	594.0	596.1	598.2	600.3	602.4	604.5	606.6	608.7	610.8	612.9	615.0	617.1	619.2	621.3	623.4	625.5	627.6	629.7	631.8	633.9	636.0	638.1	640.2	642.3	644.4	646.5	648.6	650.7	652.8	654.9	657.0	659.1	661.2	663.3	665.4	667.5	669.6	671.7	673.8	675.9	678.0	680.1	682.2	684.3	686.4	688.5	690.6	692.7	694.8	696.9	699.0	701.1	703.2	705.3	707.4	709.5	711.6	713.7	715.8	717.9	720.0	722.1	724.2	726.3	728.4	730.5	732.6	734.7	736.8	738.9	741.0	743.1	745.2	747.3	749.4	751.5	753.6	755.7	757.8	759.9	762.0	764.1	766.2	768.3	770.4	772.5	774.6	776.7	778.8	780.9	783.0	785.1	787.2	789.3	791.4	793.5	795.6	797.7	799.8	801.9	804.0	806.1	808.2	810.3	812.4	814.5	816.6	818.7	820.8	822.9	825.0	827.1	829.2	831.3	833.4	835.5	837.6	839.7	841.8	843.9	846.0	848.1	850.2	852.3	854.4	856.5	858.6	860.7	862.8	864.9	867.0	869.1	871.2	873.3	875.4	877.5	879.6	881.7	883.8	885.9	888.0	890.1	892.2	894.3	896.4	898.5	900.6	902.7	904.8	906.9	909.0	911.1	913.2	915.3	917.4	919.5	921.6	923.7	925.8	927.9	930.0	932.1	934.2	936.3	938.4	940.5	942.6	944.7	946.8	948.9	951.0	953.1	955.2	957.3	959.4	961.5	963.6	965.7	967.8	969.9	972.0	974.1	976.2	978.3	980.4	982.5	984.6	986.7	988.8	990.9	993.0	995.1	997.2	999.3	1001.4	1003.5	1005.6	1007.7	1009.8	1011.9	1014.0	1016.1	1018.2	1020.3	1022.4	1024.5	1026.6	1028.7	1030.8	1032.9	1035.0	1037.1	1039.2	1041.3	1043.4	1045.5	1047.6	1049.7	1051.8	1053.9	1056.0	1058.1	1060.2	1062.3	1064.4	1066.5	1068.6	1070.7	1072.8	1074.9	1077.0	1079.1	1081.2	1083.3	1085.4	1087.5	1089.6	1091.7	1093.8	1095.9	1098.0	1100.1	1102.2	1104.3	1106.4	1108.5	1110.6	1112.7	1114.8	1116.9	1119.0	1121.1	1123.2	1125.3	1127.4	1129.5	1131.6	1133.7	1135.8	1137.9	1140.0	1142.1	1144.2	1146.3	1148.4	1150.5	1152.6	1154.7	1156.8	1158.9	1161.0	1163.1	1165.2	1167.3	1169.4	1171.5	1173.6	1175.7	1177.8	1179.9	1182.0	1184.1	1186.2	1188.3	1190.4	1192.5	1194.6	1196.7	1198.8	1200.9	1203.0	1205.1	1207.2	1209.3	1211.4	1213.5	1215.6	1217.7	1219.8	1221.9	1224.0	1226.1	1228.2	1230.3	1232.4	1234.5	1236.6	1238.7	1240.8	1242.9	1245.0	1247.1	1249.2	1251.3	1253.4	1255.5	1257.6	1259.7	1261.8	1263.9	1266.0	1268.1	1270.2	1272.3	1274.4	1276.5	1278.6	1280.7	1282.8	1284.9	1287.0	1289.1	1291.2	1293.3	1295.4	1297.5	1299.6	1301.7	1303.8	1305.9	1308.0	1310.1	1312.2	1314.3	1316.4	1318.5	1320.6	1322.7	1324.8	1326.9	1329.0	1331.1	1333.2	1335.3	1337.4	1339.5	1341.6	1343.7	1345.8	1347.9	1350.0	1352.1	1354.2	1356.3	1358.4	1360.5	1362.6	1364.7	1366.8	1368.9	1371.0	1373.1	1375.2	1377.3	1379.4	1381.5	1383.6	1385.7	1387.8	1389.9	1392.0	1394.1	1396.2	1398.3	1400.4	1402.5	1404.6	1406.7	1408.8	1410.9	1413.0	1415.1	1417.2	1419.3	1421.4	1423.5	1425.6	1427.7	1429.8	1431.9	1434.0	1436.1	1438.2	1440.3	1442.4	1444.5	1446.6	1448.7	1450.8	1452.9	1455.0	1457.1	1459.2	1461.3	1463.4	1465.5	1467.6	1469.7	1471.8	1473.9	1476.0	1478.1	1480.2	1482.3	1484.4	1486.5	1488.6	1490.7	1492.8	1494.9	1497.0	1499.1	1501.2	1503.3	1505.4	1507.5	1509.6	1511.7	1513.8	1515.9	1518.0	1520.1	1522.2	1524.3	1526.4	1528.5	1530.6	1532.7	1534.8	1536.9	1539.0	1541.1	1543.2	1545.3	1547.4	1549.5	1551.6	1553.7	1555.8	1557.9	1560.0	1562.1	1564.2	1566.3	1568.4	1570.5	1572.6	1574.7	1576.8	1578.9	1581.0	1583.1	1585.2	1587.3	1589.4	1591.5	1593.6	1595.7	1597.8	1599.9	1602.0	1604.1	1606.2	1608.3	1610.4	1612.5	1614.6	1616.7	1618.8	1620.9	1623.0	1625.1	1627.2	1629.3	1631.4	1633.5	1635.6	1637.7	1639.8	1641.9	1644.0	1646.1	1648.2	1650.3	1652.4	1654.5	1656.6	1658.7	1660.8	1662.9	1665.0	1667.1	1669.2	1671.3	1673.4	1675.5	1677.6	1679.7	1681.8	1683.9	1686.0	1688.1	1690.2	1692.3	1694.4	1696.5	1698.6	1700.7	1702.8	1704.9	1707.0	1709.1	1711.2	1713.3	1715.4	1717.5	1719.6	1721.7	1723.8	1725.9	1728.0	1730.1	1732.2	1734.3	1736.4	1738.5	1740.6	1742.7	1744.8	1746.9	1749.0	1751.1	1753.2	1755.3	1757.4	1759.5	1761.6	1763.7	1765.8	1767.9	1770.0	1772.1	1774.2	1776.3	1778.4	1780.5	1782.6	1784.7	1786.8	1788.9	1791.0	1793.1	1795.2	1797.3	1799.4	1801.5	1803.6	1805.7	1807.8	1809.9	1812.0	1814.1	1816.2	1818.3	1820.4	1822.5	1824.6	1826.7	1828.8	1830.9	1833.0	1835.1	1837.2	1839.3	1841.4	1843.5	1845.6	1847.7	1849.8	1851.9	1854.0	1856.1	1858.2	1860.3	1862.4	1864.5	1866.6	1868.7	1870.8	1872.9	1875.0	1877.1	1879.2	1881.3	1883.4	1885.5	1887.6	1889.7	1891.8	1893.9	1896.0	1898.1	1900.2	1902.3	1904.4	1906.5	1908.6	1910.7	1912.8	1914.9	1917.0	1919.1	1921.2	1923.3	1925.4	1927.5	1929.6	1931.7	1933.8	1935.9	1938.0	1940.1	1942.2	1944.3	1946.4	1948.5	1950.6	1952.7	1954.8	1956.9	1959.0	1961.1	1963.2	1965.3	1967.4	1969.5	1971.6	1973.7	1975.8	1977.9	1980.0	1982.1	1984.2	1986.3	1988.4	1990.5	1992.6	1994.7	1996.8	1998.9	2001.0	2003.1	2005.2	2007.3	2009.4	2011.5	2013.6	2015.7	2017.8	2019.9	2022.0	2024.1	2026.2	2028.3	2030.4	2032.5	2034.6	2036.7	2038.8	2040.9	2043.0	2045.1	2047.2	2049.3	2051.4	2053.5	2055.6	2057.7	2059.8	2061.9	2064.0	2066.1	2068.2	2070.3	2072.4	2074.5	2076.6	2078.7	2080.8	2082.9	2085.0	2087.1	2089.2	2091.3	2093.4	2095.5	2097.6	2099.7	2101.8	2103.9	2106.0	2108.1	2110.2	2112.3	2114.4	2116.5	2118.6	2120.7	2122.8	2124.9	2127.0	2129.1	2131.2	2133.3	2135.4	2137.5	2139.6	2141.7	2143.8	2145.9	2148.0	2150.1	2152.2	2154.3	2156.4	2158.5	2160.6	2162.7	2164.8	2166.9	2169.0	2171.1	2173.2	2175.3	2177.4	2179.5	2181.6	2183.7	2185.8	2187.9	2190.0	2192.1	2194.2	2196.3	2198.4	2200.5	2202.6	2204.7	2206.8	2208.9	2211.0	2213.1	2215.2	2217.3	2219.4	2221.5	2223.6	2225.7	2227.8	2229.9	2232.0	2234.1	2236.2	2238.3	2240.4	2242.5	2244.6	2246.7	2248.8	2250.9	2253.0	2255.1	2257.2	2259.3	2261.4	2263.5	2265.6	2267.7	2269.8	2271.9	2274.0	2276.1	2278.2	22

COOLING PERFORMANCE DATA

CKF36-5*

EXPANDED PERFORMANCE DATA

MODEL: CKF36-5* / AR36-00-2

COOLING OPERATION

IDB	Airflow	Outdoor Ambient Temperature												COOLING OPERATION																					
		65°F				75°F				85°F				95°F				105°F				115°F				118°F				125°F					
		59	63	67	71	59	63	67	71	59	63	67	71	59	63	67	71	59	63	67	71	59	63	67	71	59	63	67	71	59	63	67	71		
70	1229	MBh	31.9	33.0	36.2	-	31.1	32.3	35.3	-	30.4	31.5	34.5	-	29.6	30.7	33.7	-	28.2	29.2	32.0	-	26.1	27.0	29.6	-	25.4	26.3	28.8	-	25.1	26.0	28.5	-	
		ST	0.72	0.60	0.42	-	0.75	0.62	0.43	-	0.76	0.64	0.44	-	0.79	0.66	0.46	-	0.82	0.68	0.47	-	0.83	0.69	0.48	-	0.87	0.72	0.50	-	0.88	0.74	0.51	-	
		DT	17	15	11	-	17	15	11	-	17	15	11	-	17	15	11	-	17	15	11	-	16	14	11	-	16	14	11	-	17	14	11	-	
		KW	2.43	2.48	2.56	-	2.77	2.84	2.93	-	3.06	3.13	3.24	-	3.36	3.44	3.56	-	3.63	3.71	3.85	-	3.88	3.97	4.11	-	4.25	4.35	4.51	-	4.41	4.52	4.68	-	
	1100	AMPS	5.9	6.0	6.2	-	6.3	6.4	6.6	-	6.7	6.9	7.1	-	7.1	7.3	7.5	-	7.5	7.7	7.9	-	7.9	8.1	8.3	-	7.8	8.0	8.2	-	7.8	7.9	8.2	-	
		HI PR	162	174	184	-	182	196	206	-	207	222	235	-	235	253	267	-	265	285	301	-	293	315	332	-	321	346	365	-	334	359	379	-	
		LO PR	55	59	64	-	59	62	68	-	61	65	71	-	64	68	74	-	67	71	78	-	69	74	81	-	74	79	86	-	76	81	89	-	
		AMPS	31.4	32.5	35.7	-	30.7	31.8	34.8	-	29.9	31.0	34.0	-	29.2	30.3	33.2	-	27.7	28.8	31.5	-	25.7	26.6	29.2	-	25.0	25.9	28.4	-	24.7	25.6	28.0	-	
	971	1229	MBh	0.69	0.58	0.40	-	0.71	0.60	0.41	-	0.73	0.61	0.42	-	0.76	0.63	0.44	-	0.78	0.65	0.45	-	0.79	0.66	0.46	-	0.83	0.69	0.48	-	0.85	0.71	0.49	-
			ST	18	16	12	-	18	16	12	-	18	16	12	-	18	16	12	-	18	16	12	-	17	15	11	-	17	15	11	-	17	15	11	-
			DT	19	16	12	-	19	16	12	-	19	16	12	-	19	16	12	-	19	16	12	-	19	16	12	-	18	15	12	-	18	16	12	-
			KW	2.41	2.47	2.55	-	2.76	2.82	2.92	-	3.04	3.12	3.22	-	3.34	3.42	3.54	-	3.61	3.69	3.82	-	3.85	3.94	4.08	-	4.22	4.33	4.48	-	4.38	4.49	4.65	-
1100		AMPS	5.9	6.0	6.1	-	6.2	6.4	6.5	-	6.2	6.4	6.5	-	6.2	6.4	6.5	-	6.2	6.4	6.5	-	6.2	6.4	6.5	-	6.2	6.4	6.5	-	6.2	6.4	6.5	-	
		HI PR	161	173	183	-	180	194	205	-	205	221	233	-	234	252	266	-	263	283	299	-	291	313	330	-	319	343	363	-	331	357	377	-	
		LO PR	55	59	64	-	58	62	68	-	60	64	70	-	64	68	74	-	67	71	77	-	69	73	80	-	74	78	86	-	76	81	88	-	
		AMPS	29.8	30.9	33.9	-	29.1	30.2	33.1	-	28.4	29.5	32.3	-	27.7	28.8	31.5	-	26.4	27.3	29.9	-	24.4	25.3	27.7	-	23.7	24.6	27.0	-	23.5	24.3	26.6	-	
971		ST	0.66	0.55	0.38	-	0.68	0.57	0.40	-	0.70	0.59	0.41	-	0.72	0.60	0.42	-	0.75	0.63	0.43	-	0.76	0.63	0.44	-	0.79	0.66	0.46	-	0.81	0.68	0.47	-	
		DT	19	16	12	-	19	16	12	-	19	16	12	-	19	16	12	-	19	16	12	-	19	16	12	-	18	15	12	-	18	16	12	-	
		KW	2.37	2.43	2.51	-	2.71	2.77	2.86	-	2.99	3.06	3.17	-	3.28	3.36	3.47	-	3.54	3.63	3.75	-	3.78	3.87	4.01	-	4.15	4.25	4.40	-	4.30	4.41	4.57	-	
		AMPS	5.8	5.9	6.0	-	6.1	6.3	6.4	-	6.6	6.7	6.9	-	7.0	7.1	7.3	-	7.3	7.5	7.7	-	7.7	7.9	8.1	-	7.6	7.8	8.0	-	7.6	7.8	8.0	-	
75	1100	HI PR	158	170	179	-	177	190	201	-	201	216	229	-	229	246	260	-	258	277	293	-	285	306	324	-	313	337	355	-	325	349	369	-	
		LO PR	54	57	63	-	57	61	66	-	59	63	69	-	62	66	72	-	65	69	76	-	67	72	78	-	72	77	84	-	74	79	86	-	
		AMPS	31.9	32.9	35.6	38.2	31.2	32.1	34.8	37.3	30.4	31.3	33.9	36.4	29.7	30.6	33.1	35.5	28.2	29.1	31.4	33.7	26.1	26.9	29.1	31.3	25.4	26.2	28.3	30.4	25.1	25.9	28.0	30.0	
		ST	0.78	0.70	0.53	0.3	0.81	0.73	0.55	0.4	0.83	0.74	0.56	0.4	0.86	0.77	0.58	0.4	0.89	0.80	0.60	0.4	0.90	0.80	0.61	0.4	0.94	0.84	0.64	0.4	0.96	0.86	0.65	0.4	
971	1229	DT	21	19	16	11	21	19	16	11	21	19	16	11	21	20	16	11	21	19	16	11	20	18	15	10	20	18	15	10	20	19	15	10	
		KW	2.43	2.49	2.57	2.7	2.78	2.84	2.94	3.0	3.07	3.14	3.25	3.4	3.37	3.45	3.57	3.7	3.64	3.72	3.86	4.0	3.89	3.98	4.12	4.3	4.26	4.37	4.52	4.7	4.43	4.53	4.70	4.9	
		AMPS	5.9	6.0	6.2	6.4	6.3	6.4	6.6	6.8	6.7	6.9	7.1	7.3	7.1	7.3	7.5	7.7	7.5	7.7	7.9	8.2	7.9	8.1	8.3	8.6	7.8	8.0	8.2	8.5	7.8	8.0	8.2	8.5	
		HI PR	162	175	185	192.5	182	196	207	216.0	207	223	236	245.7	236	254	268	279.8	266	286	302	314.8	293	316	333	347.8	322	347	366	382.1	335	360	380	396.8	
	1100	LO PR	56	59	65	68.8	59	63	68	72.7	61	65	71	75.6	64	68	75	79.4	67	72	78	83.2	70	74	81	86.1	74	79	86	92.1	77	81	89	94.7	
		AMPS	30.3	31.2	33.8	36.3	29.6	30.5	33.0	35.4	28.9	29.8	32.2	34.6	28.2	29.1	31.4	33.7	26.8	27.6	29.9	32.1	24.8	25.6	27.7	29.7	24.2	24.9	26.9	28.9	23.9	24.6	26.6	28.5	
		ST	0.75	0.67	0.51	0.3	0.78	0.70	0.53	0.3	0.80	0.71	0.54	0.3	0.82	0.74	0.56	0.4	0.85	0.76	0.58	0.4	0.86	0.77	0.58	0.4	0.90	0.81	0.61	0.4	0.92	0.82	0.62	0.4	
		DT	22	20	16	11	22	20	16	11	22	20	16	11	22	20	17	11	22	20	16	11	22	20	16	11	21	19	16	10.8	21	19	16	10.8	
	971	KW	2.39	2.45	2.53	2.6	2.73	2.80	2.89	3.0	3.02	3.09	3.19	3.3	3.31	3.39	3.50	3.6	3.57	3.66	3.78	3.9	3.82	3.91	4.05	4.2	4.19	4.29	4.44	4.6	4.34	4.45	4.61	4.8	
		AMPS	5.8	5.9	6.1	6.3	6.2	6.3	6.5	6.7	6.6	6.8	7.0	7.2	7.0	7.2	7.4	7.6	7.4	7.6	7.8	8.0	7.8	7.9	8.2	8.5	7.7	7.9	8.1	8.4	7.7	7.8	8.1	8.3	
		HI PR	159	171	181	188.7	179	192	203	211.7	203	219	231	240.8	231	249	263	274.2	260	280	296	308.5	288	309	327	340.9	316	340	359	374.4	328	353	373	388.8	
		LO PR	55	58	63	67.5	58	61	67	71.3	60	64	70	74.1	63	67	73	77.8	66	70	77	81.5	68	73	79	84.3	73	78	85	90.3	75	80	87	92.8	

AMPS=Outdoor unit amps (comp.+fan)

IDB: Entering Indoor Dry Bulb Temperature KW=Total system power

Shaded area is A COA (TVA) conditions

High and low pressures are measured at the liquid and suction service valves.

COOLING PERFORMANCE DATA

CKF36-5*

EXPANDED PERFORMANCE DATA

MODEL: CKF36-5* / AR36-00-2

COOLING OPERATION

IDB* Airflow	Outdoor Ambient Temperature																																		
	65			75			85			95																									
	59	63	67	71	59	63	67	71	59	63	67	71	59	63	67	71																			
1229	MBh	33.0	33.7	36.0	38.5	32.2	32.9	35.2	37.6	31.4	32.1	34.3	36.7	30.7	31.4	33.5	35.8	29.1	29.8	31.8	34.0	27.0	27.6	29.5	31.5	26.3	26.8	28.7	30.6	25.9	26.5	28.3	30.3		
	S/T	0.90	0.84	0.68	0.5	0.93	0.87	0.71	0.5	0.95	0.89	0.73	0.5	0.98	0.92	0.75	0.6	1.00	0.97	0.79	0.6	1.00	0.97	0.79	0.6	1.00	0.99	0.82	0.6	1.00	1.00	0.84	0.6		
	DT	22	21	18	15	22	21	19	15	23	22	19	15	23	22	19	15	23	22	19	15	20	20	17	13.8	20	20	18	14.1	19	20	18	14.2		
	KW	2.47	2.52	2.61	2.7	2.82	2.89	2.98	3.1	3.12	3.19	3.30	3.42	3.50	3.62	3.4	3.42	3.50	3.62	3.69	3.78	3.92	4.1	3.95	4.04	4.19	4.3	4.33	4.44	4.59	4.8	4.49	4.60	4.77	4.9
	AMPS	6.0	6.1	6.3	6.4	6.4	6.5	6.7	6.9	6.8	7.0	7.2	7.4	7.6	7.8	7.6	7.8	8.0	8.3	8.0	8.2	8.4	8.7	7.9	8.1	8.3	8.6	7.9	8.1	8.3	8.6	7.9	8.1	8.3	8.6
	HI PR	165	178	188	195.8	185	200	211	219.7	211	227	240	249.9	240	258	273	284.6	270	291	307	320.2	299	321	339	353.8	328	353	373	388.8	341	366	387	403.6		
	LO PR	57	60	66	70.0	60	64	69	74.0	62	66	72	76.9	65	69	76	80.8	68	73	79	84.6	71	75	82	87.5	76	81	88	93.7	78	83	90	96.3		
	MBh	32.5	33.2	35.5	37.9	31.7	32.4	34.7	37.0	31.0	31.7	33.8	36.2	30.2	30.9	33.0	35.3	28.7	29.3	31.4	33.5	26.6	27.2	29.0	31.0	25.9	26.4	28.2	30.2	25.6	26.1	27.9	29.8		
	S/T	0.86	0.81	0.66	0.5	0.89	0.83	0.68	0.5	0.91	0.86	0.70	0.5	0.94	0.88	0.72	0.5	0.98	0.92	0.75	0.6	1.00	0.97	0.79	0.6	1.00	0.99	0.79	0.6	1.00	0.99	0.81	0.6		
	DT	23	22	19	16	24	23	20	16	24	23	20	16	24	23	20	16	24	23	20	16	22	21	18	14.6	22	21	19	14.9	21	22	19	15.0		
KW	2.45	2.51	2.59	2.7	2.80	2.87	2.97	3.1	3.10	3.17	3.28	3.4	3.40	3.48	3.60	3.7	3.67	3.76	3.89	4.0	3.92	4.02	4.16	4.3	4.30	4.41	4.57	4.7	4.47	4.57	4.74	4.9			
AMPS	5.9	6.1	6.2	6.4	6.3	6.5	6.6	6.9	6.8	6.9	7.1	7.4	7.2	7.3	7.6	7.8	7.6	7.7	8.0	8.2	8.0	8.1	8.4	8.7	7.9	8.1	8.3	8.6	7.9	8.0	8.3	8.5			
HI PR	164	177	186	194.5	184	198	209	218.2	209	225	238	248.2	238	257	271	282.7	268	289	305	318.0	296	319	337	351.3	326	350	370	385.9	338	364	384	400.8			
LO PR	56	60	65	69.5	59	63	69	73.5	62	66	72	76.3	65	69	75	80.2	68	72	79	84.0	70	75	82	86.9	75	80	87	93.0	77	82	90	96.7			
MBh	30.9	31.5	33.7	36.0	30.2	30.8	32.9	35.2	29.4	30.1	32.1	34.4	28.7	29.3	31.4	33.5	27.3	27.9	29.8	31.8	25.3	25.8	27.6	29.5	24.6	25.1	26.8	28.7	24.3	24.8	26.5	28.3			
S/T	0.82	0.77	0.63	0.5	0.85	0.80	0.65	0.5	0.87	0.82	0.67	0.5	0.90	0.85	0.69	0.5	0.94	0.88	0.71	0.5	0.94	0.89	0.72	0.5	0.99	0.93	0.76	0.6	1.01	0.95	0.77	0.6			
DT	24	23	20	16	24	23	20	16	24	23	20	16	25	24	20	16	24	23	20	16	22	21	18	14.6	22	21	19	15.3	23	22	19	15.5			
KW	2.41	2.47	2.55	2.6	2.76	2.82	2.92	3.0	3.04	3.12	3.22	3.3	3.34	3.42	3.54	3.7	3.61	3.69	3.82	4.0	3.85	3.94	4.08	4.2	4.22	4.33	4.48	4.6	4.38	4.49	4.65	4.8			
AMPS	5.9	6.0	6.1	6.3	6.2	6.4	6.5	6.7	6.7	6.8	7.0	7.2	7.1	7.2	7.4	7.7	7.6	7.6	7.8	8.1	7.8	8.0	8.2	8.5	7.8	7.9	8.2	8.4	7.7	7.9	8.1	8.4			
HI PR	161	173	183	190.6	180	194	205	213.8	205	221	233	243.2	234	252	266	277.0	263	283	299	311.6	291	313	330	344.3	319	343	363	378.2	331	357	377	392.8			
LO PR	55	59	64	68.1	58	62	68	72.0	60	64	70	74.8	64	68	74	78.6	67	71	77	82.4	69	73	80	85.2	74	78	86	91.2	76	81	88	93.7			

IDB* Airflow	Outdoor Ambient Temperature																																
	105			115			118°F			125°F																							
	59	63	67	71	59	63	67	71	59	63	67	71	59	63	67	71																	
1229	MBh	33.6	34.2	35.8	38.2	32.8	33.4	35.0	37.3	32.0	32.6	34.2	36.4	31.2	31.8	33.3	35.6	29.7	30.2	31.7	33.8	27.5	28.0	29.3	31.3	26.7	27.2	28.5	30.4	26.4	26.9	28.2	30.1
	S/T	0.94	0.91	0.82	0.7	0.97	0.94	0.85	0.7	1.00	0.96	0.87	0.7	1.00	1.00	0.90	0.7	1.00	1.00	0.93	0.8	1.00	1.00	0.94	0.8	1.00	1.00	0.98	0.8	1.00	1.00	0.8	0.8
	DT	24	23	22	19	24	23	22	19	24	24	22	19	23	24	22	19	22	23	22	19	21	21	17.8	20	20	21	18.2	20	20	21	18.3	
	KW	2.49	2.54	2.63	2.7	2.85	2.91	3.01	3.1	3.14	3.22	3.33	3.4	3.45	3.53	3.65	3.8	3.73	3.82	3.95	4.1	3.98	4.08	4.22	4.4	4.37	4.48	4.64	4.8	4.54	4.65	4.81	5.0
	AMPS	6.0	6.1	6.3	6.5	6.4	6.5	6.7	6.9	6.9	7.0	7.2	7.5	7.3	7.4	7.7	7.9	7.7	7.9	8.1	8.3	8.1	8.3	8.5	8.8	8.0	8.2	8.4	8.7	8.0	8.1	8.4	8.7
	HI PR	167	180	190	197.8	187	202	213	221.9	213	229	242	252.4	243	261	276	287.5	273	294	310	323.4	301	324	343	357.3	331	356	376	392.5	344	370	391	407.6
	LO PR	57	61	66	70.7	60	64	70	74.7	63	67	73	77.6	66	70	77	81.6	69	74	80	85.5	71	76	83	88.4	77	81	89	94.6	79	84	91	97.3
	MBh	33.1	33.7	35.3	37.7	32.3	32.9	34.5	36.8	31.5	32.1	33.7	35.9	30.8	31.4	32.8	35.0	29.2	29.8	31.2	33.3	27.1	27.6	28.9	30.8	26.3	26.8	28.1	30.0	26.0	26.5	27.8	29.6
	S/T	0.90	0.87	0.78	0.6	0.93	0.90	0.81	0.7	0.96	0.92	0.83	0.7	0.99	0.95	0.86	0.7	1.00	0.99	0.89	0.7	1.00	1.00	0.90	0.7	1.00	1.00	0.94	0.8	1.00	1.00	0.96	0.8
	DT	25	24	23	20	25	25	23	20	25	25	23	20	25	25	24	20	24	25	23	20	23	23	22	18.8	22	22	22	19.2	22	22	22	19.3
KW	2.47	2.53	2.61	2.7	2.83	2.89	2.99	3.1	3.13	3.20	3.31	3.4	3.43	3.51	3.63	3.8	3.70	3.79	3.93	4.1	3.96	4.05	4.20	4.3	4.34	4.45	4.61	4.8	4.51	4.62	4.78	5.0	
AMPS	6.0	6.1	6.3	6.5	6.4	6.5	6.7	6.9	6.8	7.0	7.2	7.4	7.2	7.4	7.6	7.9	7.6	7.8	8.0	8.3	8.0	8.2	8.5	8.7	8.0	8.1	8.4	8.6	7.9	8.1	8.3	8.6	
HI PR	166	178	188	196.4	186	200	211	220.4	211	228	240	250.7	241	259	274	285.5	271	292	308	321.2	299	322	340	354.9	329	354	374	389.8	342	368	388	404.8	
LO PR	57	60	66	70.2	60	64	70	74.2	62	66	72	77.1	65	70	76	81.0	69	73	80	84.9	71	76	82	87.8	76	81	88	94.0	78	83	91	96.6	
MBh	31.4	32.0	33.5	35.8	30.7	31.3	32.8	34.9	29.9	30.5	32.0	34.1	29.2	29.8	31.2	33.3	27.8	28.3	29.6	31.6	25.7	26.2	27.5	29.3	25.0	25.5	26.7	28.5	24.7	25.2	26.4	28.1	
S/T	0.86	0.83	0.75	0.6	0.89	0.86	0.78	0.6	0.92	0.88	0.80	0.6	0.95	0.91	0.82	0.6	0.98	0.95	0.85	0.7	0.99	0.96	0.86	0.7	1.00	0.99	0.90	0.7	1.00	1.00	0.92	0.7	
DT	26	25	24	21	26	26	24	21	26	26	24	21	26	26	24	21	26	25	24	21	24	24	22	19.4	24	24	23	19.8	23	24	23	19.9	
KW	2.43	2.49	2.57	2.7	2.78	2.84	2.94	3.0	3.07	3.14	3.25	3.4	3.37	3.45	3.57	3.7	3.64	3.72	3.86	4.0	3.89	3.98	4.12	4.3	4.26	4.37	4.52	4.7	4.42	4.53	4.69	4.9	
AMPS	5.9	6.0	6.2	6.4	6.3	6.4	6.6	6.8	6.7	6.9	7.1	7.3	7.1	7.3	7.5	7.7	7.5	7.7	7.9	8.2	7.9	8.1	8.3	8.6	7.8	8.0	8.2	8.5	7.8	8.0	8.2	8.5	
HI PR	162	175	185	192.5	182	196	207	216.0	207	223	236	245.6	236	254	268	279.8	266	286	302	314.7	293	316	333	347.8	322	347	366	382.0	335	360	380	396.7	
LO PR	56	59	65	68.8	59	63	68	72.7	61	65	71	75.6	64	68	75	79.4	67	72	78														

COOLING PERFORMANCE DATA

CKF48-5*

EXPANDED PERFORMANCE DATA

MODEL: CKF48-5* / A48-00-2

COOLING OPERATION

IDB	Airflow	Outdoor Ambient Temperature												115°F												118°F												125°F											
		75°F						85°F						95°F						105°F						115°F						118°F						125°F											
		59	63	67	71	75	79	59	63	67	71	75	79	59	63	67	71	75	79	59	63	67	71	75	79	59	63	67	71	75	79	59	63	67	71	75	79												
70	MBh	42.5	44.0	48.2	-	41.5	43.0	47.1	-	40.5	42.0	46.0	-	39.5	41.0	44.9	-	37.5	38.9	42.6	-	34.8	36.0	39.5	-	32.6	33.8	37.0	-	31.6	32.8	35.9	-																
	S/T	0.74	0.61	0.44	-	0.76	0.64	0.44	-	0.78	0.65	0.45	-	0.81	0.67	0.47	-	0.84	0.70	0.48	-	0.87	0.72	0.50	-	0.87	0.72	0.50	-	0.88	0.73	0.51	-																
	DT	17	14	11	-	17	15	11	-	17	15	11	-	17	15	11	-	17	14	11	-	16	13	10	-	15	13	10	-	15	13	10	-																
	KW	3.39	3.46	3.56	-	3.83	3.91	4.03	-	4.20	4.29	4.43	-	4.58	4.68	4.84	-	4.93	5.04	5.20	-	5.24	5.36	5.54	-	5.52	5.65	5.84	-	5.64	5.77	5.97	-																
	AMPS	9.4	9.5	9.7	-	9.9	10.0	10.3	-	10.5	10.7	10.9	-	11.0	11.2	11.5	-	11.5	11.8	12.1	-	12.1	12.3	12.6	-	12.4	12.6	13.0	-	12.5	12.8	13.1	-																
	HIPR	50	53	56	-	56	60	63	-	63	68	72	-	72	76	82	-	81	87	92	-	90	96	102	-	95	102	108	-	98	105	111	-																
	LOPR	200	212	232	-	211	224	245	-	219	233	255	-	230	245	267	-	241	257	280	-	250	266	290	-	254	270	295	-	255	272	297	-																
	MBh	41.9	43.4	47.5	-	40.9	42.4	46.4	-	39.9	41.4	45.3	-	38.9	40.4	44.2	-	37.0	38.3	42.0	-	34.3	35.5	38.9	-	32.1	33.3	36.4	-	31.2	32.3	35.4	-																
	S/T	0.70	0.59	0.41	-	0.73	0.61	0.42	-	0.75	0.62	0.43	-	0.77	0.65	0.45	-	0.80	0.67	0.46	-	0.81	0.68	0.47	-	0.83	0.69	0.48	-	0.84	0.70	0.49	-																
	DT	17	15	11	-	18	15	12	-	18	15	12	-	18	15	12	-	18	15	12	-	16	14	11	-	16	14	11	-	16	13	10	-																
KW	3.37	3.44	3.54	-	3.81	3.89	4.01	-	4.18	4.27	4.41	-	4.55	4.66	4.81	-	4.90	5.01	5.17	-	5.21	5.33	5.51	-	5.49	5.62	5.81	-	5.61	5.74	5.93	-																	
AMPS	9.3	9.5	9.7	-	9.8	10.0	10.2	-	10.4	10.6	10.9	-	11.0	11.2	11.4	-	11.5	11.7	12.0	-	12.0	12.2	12.5	-	12.3	12.6	12.9	-	12.5	12.7	13.1	-																	
HIPR	49	53	56	-	55	59	63	-	63	68	71	-	72	77	81	-	81	87	92	-	89	96	101	-	94	102	107	-	97	104	110	-																	
LOPR	198	211	230	-	209	223	243	-	218	232	253	-	229	243	266	-	240	255	278	-	248	264	288	-	252	268	293	-	254	270	295	-																	
MBh	39.8	41.2	45.2	-	38.8	40.3	44.1	-	37.9	39.3	43.1	-	37.0	38.3	42.0	-	35.1	36.4	39.9	-	32.6	33.7	37.0	-	30.5	31.6	34.6	-	29.6	30.7	33.6	-																	
S/T	0.67	0.56	0.39	-	0.70	0.58	0.40	-	0.72	0.60	0.41	-	0.74	0.62	0.43	-	0.77	0.64	0.44	-	0.77	0.65	0.45	-	0.80	0.66	0.46	-	0.80	0.67	0.47	-																	
DT	18	16	12	-	18	16	12	-	18	16	12	-	18	16	12	-	18	16	12	-	17	15	11	-	16	14	11	-	16	14	11	-																	
KW	3.32	3.38	3.49	-	3.75	3.83	3.95	-	4.11	4.20	4.33	-	4.48	4.58	4.73	-	4.82	4.92	5.09	-	5.13	5.24	5.42	-	5.40	5.52	5.71	-	5.51	5.64	5.83	-																	
AMPS	9.2	9.3	9.6	-	9.7	9.9	10.1	-	10.3	10.5	10.7	-	10.8	11.0	11.3	-	11.3	11.5	11.8	-	11.8	12.1	12.4	-	12.2	12.4	12.7	-	12.3	12.5	12.9	-																	
HIPR	48	52	55	-	54	58	62	-	62	66	70	-	70	75	80	-	79	85	90	-	87	94	99	-	93	100	105	-	95	102	108	-																	
LOPR	194	207	226	-	205	218	238	-	213	227	248	-	224	238	260	-	235	250	273	-	243	258	282	-	247	263	287	-	249	264	289	-																	
75	MBh	43.2	44.5	48.2	51.7	42.2	43.5	47.0	50.5	41.2	42.4	45.9	49.3	40.2	41.4	44.8	48.1	38.2	39.3	42.6	45.7	35.4	36.4	39.4	42.3	33.1	34.1	36.9	39.6	32.2	33.1	35.8	38.5																
	S/T	0.84	0.75	0.57	0.4	0.87	0.77	0.59	0.4	0.89	0.79	0.60	0.4	0.92	0.82	0.62	0.4	0.95	0.85	0.64	0.4	0.96	0.86	0.65	0.4	0.99	0.88	0.67	0.4	1.00	0.89	0.67	0.4																
	DT	19	18	14	10	19	18	15	10	19	18	15	10	20	18	15	10	19	18	15	10	18	17	14	9.4	17	16	13	9.0	17	16	13	8.9																
	KW	3.41	3.48	3.59	3.7	3.86	3.94	4.07	4.2	4.24	4.33	4.47	4.6	4.62	4.72	4.88	5.0	4.97	5.08	5.25	5.4	5.29	5.41	5.69	5.8	5.57	5.70	5.89	6.1	5.69	5.82	6.02	6.2																
	AMPS	9.4	9.6	9.8	10.0	9.9	10.1	10.4	10.6	10.6	10.7	11.0	11.3	11.1	11.3	11.6	11.9	11.6	11.8	12.1	12.5	12.1	12.4	12.7	13.1	12.5	12.7	13.1	13.5	12.6	12.9	13.2	13.6																
	HIPR	50	54	57	59.4	56	60	64	66.6	64	69	73	75.8	73	78	83	86.3	82	88	93	97.1	91	97	103	107.3	96	103	109	113.9	99	106	112	116.8																
	LOPR	202	215	234	249.5	213	227	247	263.6	221	236	257	273.9	233	247	270	287.7	244	259	283	301.5	252	268	293	311.9	256	273	298	316.9	258	274	300	319.1																
	MBh	42.6	43.8	47.4	50.9	41.6	42.8	46.3	49.7	40.6	41.8	45.2	48.5	39.6	40.8	44.1	47.4	37.6	38.7	41.9	45.0	34.8	35.9	38.8	41.7	32.6	33.6	36.4	39.0	31.7	32.6	35.3	37.9																
	S/T	0.80	0.72	0.54	0.3	0.83	0.74	0.56	0.4	0.85	0.76	0.58	0.4	0.88	0.79	0.59	0.4	0.91	0.82	0.62	0.4	0.92	0.82	0.62	0.4	0.94	0.84	0.64	0.4	0.95	0.85	0.65	0.4																
	DT	20	19	15	11	20	19	15	11	20	19	15	11	21	19	16	11	20	19	15	11	19	17	14	9.9	18	17	14	9.5	18	17	14	9.3																
KW	3.40	3.46	3.57	3.7	3.84	3.92	4.05	4.2	4.21	4.30	4.44	4.6	4.59	4.69	4.85	5.0	4.94	5.05	5.22	5.4	5.26	5.38	5.66	5.8	5.54	5.67	5.86	6.1	5.66	5.79	5.99	6.2																	
AMPS	9.4	9.5	9.7	10.0	9.9	10.1	10.3	10.6	10.5	10.7	11.0	11.3	11.0	11.2	11.5	11.8	11.6	11.8	12.1	12.4	12.1	12.3	12.6	13.0	12.4	12.7	13.0	13.4	12.6	12.8	13.2	13.6																	
HIPR	50	54	57	59.0	56	60	63	66.2	63	68	72	75.2	72	78	82	85.7	81	88	92	96.4	90	97	102	106.5	95	103	108	113.1	98	105	111	116.0																	
LOPR	200	213	233	247.7	212	225	246	261.7	220	234	255	272.0	231	246	268	285.7	242	258	281	299.4	250	266	291	309.7	254	271	296	314.7	256	273	298	316.9																	
MBh	40.4	41.6	45.1	48.4	39.5	40.7	44.0	47.2	38.6	39.7	43.0	46.1	37.6	38.7	41.9	45.0	35.7	36.8	39.8	42.7	33.1	34.1	36.9	39.6	31.0	31.9	34.5	37.1	30.1	31.0	33.5	36.0																	
S/T	0.77	0.69	0.52	0.3	0.79	0.71	0.54	0.3	0.81	0.73	0.55	0.4	0.84	0.75	0.57	0.4	0.87	0.78	0.59	0.4	0.88	0.79	0.60	0.4	0.90	0.81	0.61	0.4	0.91	0.82	0.62	0.4																	
DT	21	19	16	11	21	19	16	11	21	19	16	11	21	20	16	11	21	19	16	11	20	18	15	10.2	19	17	14	9.8	18	17	14	9.6																	
KW	3.34	3.41	3.51	3.6	3.78	3.86	3.98	4.1	4.14	4.23	4.37	4.5	4.52	4.62	4.77	4.9	4.84	4.96	5.13	5.3	5.17	5.29	5.46	5.7	5.44	5.57	5.76	6.0	5.56	5.69	5.88	6.1																	
AMPS	9.3	9.4	9.6	9.9	9.8	9.9	10.2	10.4	10.4	10.6	10.8	11.1	10.9	11.1	11.4	11.7	11.4	11.6	11.9	12.3	11.9	12.1	12.5	12.8	12.3	12.5	12.8	13.2	12.4	12.6	13.0	13.3																	
HIPR	49	52	55	57.8	55	59	62	64.8	62	67	71	73.7	71	76	81	84.0	80	86	91	94.5	88	95	100	104.4	94	101	106	110.9	96	103	109	113.6																	
LOPR	196	209	228	242.8	207	221	241	256.5	216	229	250	266.6	226	241	263	280.0	237	252	276	293.5	245	261	285	303.5	249	265	290	308.4	251	267	292	310.5																	

AMPS=Outdoor unit amps (comp. fan)

IDB: Entering Indoor Dry Bulb Temperature KW=Total system power

Shaded area is ACOA (TVA) conditions
High and low pressures are measured at the liquid and suction service valves.

COOLING PERFORMANCE DATA

CKF60-5*

EXPANDED PERFORMANCE DATA

MODEL: CKF60-5* / A60-00-2

COOLING OPERATION

IDB	Airflow	Outdoor Ambient Temperature												115°F												118°F												125°F																																								
		65°F						75°F						85°F						95°F						105°F						115°F						118°F						125°F																																		
		59	63	67	71	75	79	59	63	67	71	75	79	59	63	67	71	75	79	59	63	67	71	75	79	59	63	67	71	75	79	59	63	67	71	75	79	59	63	67	71	75	79																																			
70	1844	MBh	53.1	55.0	60.3	-	51.9	53.8	58.9	-	50.6	52.5	57.5	-	49.4	51.2	56.1	-	46.9	48.6	53.3	-	43.5	45.1	49.4	-	40.7	42.2	46.2	-	39.5	41.0	44.9	-	0.84	0.71	0.49	-	0.84	0.70	0.48	-	17	15	11	-	17	15	11	-	7.05	7.22	7.47	-	310	333	352	-	69	74	80	-	310	333	352	-	69	74	80	-	317	341	361	-	70	74	81	-
		S/T	0.71	0.59	0.41	-	0.73	0.61	0.42	-	0.75	0.63	0.44	-	0.78	0.65	0.45	-	0.81	0.67	0.47	-	0.81	0.68	0.47	-	0.84	0.70	0.48	-	0.84	0.71	0.49	-	17	15	11	-	17	15	11	-	7.05	7.22	7.47	-	310	333	352	-	69	74	80	-	310	333	352	-	69	74	80	-	317	341	361	-	70	74	81	-								
		DT	19	16	12	-	19	16	12	-	19	16	12	-	19	17	13	-	19	16	12	-	19	16	12	-	18	15	11	-	17	14	11	-	17	14	11	-	7.05	7.22	7.47	-	310	333	352	-	69	74	80	-	310	333	352	-	69	74	80	-	317	341	361	-	70	74	81	-												
		KW	4.19	4.28	4.42	-	4.76	4.86	5.02	-	5.23	5.34	5.52	-	5.71	5.84	6.03	-	6.15	6.29	6.50	-	6.55	6.70	6.93	-	6.90	7.06	7.31	-	7.05	7.22	7.47	-	7.05	7.22	7.47	-	7.05	7.22	7.47	-	7.05	7.22	7.47	-	7.05	7.22	7.47	-	7.05	7.22	7.47	-	7.05	7.22	7.47	-	7.05	7.22	7.47	-																
		AMPS	8.8	9.0	9.2	-	9.4	9.6	9.9	-	10.1	10.4	10.7	-	10.8	11.0	11.4	-	11.4	11.7	12.1	-	12.1	12.3	12.7	-	12.5	12.8	13.2	-	12.7	12.9	13.4	-	12.7	12.9	13.4	-	12.7	12.9	13.4	-	12.7	12.9	13.4	-	12.7	12.9	13.4	-	12.7	12.9	13.4	-	12.7	12.9	13.4	-																				
		H/PR	161	174	183	-	181	195	206	-	206	222	234	-	234	252	266	-	264	284	300	-	291	314	331	-	310	333	352	-	310	333	352	-	310	333	352	-	310	333	352	-	310	333	352	-	310	333	352	-	310	333	352	-																								
	LO PR	55	58	63	-	58	61	67	-	60	64	70	-	63	67	73	-	66	70	77	-	68	73	79	-	68	73	79	-	68	73	79	-	68	73	79	-	68	73	79	-	68	73	79	-	68	73	79	-	68	73	79	-																									
	MBh	52.3	54.2	59.4	-	51.1	53.0	58.0	-	49.9	51.7	56.7	-	48.7	50.5	55.3	-	46.2	47.9	52.5	-	42.8	44.4	48.6	-	40.1	41.6	45.5	-	38.9	40.4	44.2	-	38.9	40.4	44.2	-	38.9	40.4	44.2	-	38.9	40.4	44.2	-	38.9	40.4	44.2	-	38.9	40.4	44.2	-																									
	S/T	0.68	0.57	0.39	-	0.70	0.59	0.41	-	0.72	0.60	0.42	-	0.74	0.62	0.43	-	0.77	0.64	0.45	-	0.78	0.65	0.45	-	0.80	0.67	0.46	-	0.80	0.67	0.46	-	0.80	0.67	0.46	-	0.80	0.67	0.46	-	0.80	0.67	0.46	-	0.80	0.67	0.46	-																													
	DT	20	17	13	-	20	17	13	-	20	17	13	-	20	17	13	-	20	17	13	-	20	17	13	-	19	16	12	-	18	15	12	-	18	15	12	-	18	15	12	-	18	15	12	-	18	15	12	-																													
	KW	4.17	4.26	4.39	-	4.73	4.83	4.99	-	5.20	5.31	5.49	-	5.67	5.80	6.00	-	6.11	6.25	6.46	-	6.51	6.66	6.89	-	6.86	7.02	7.26	-	7.01	7.18	7.42	-	7.01	7.18	7.42	-	7.01	7.18	7.42	-	7.01	7.18	7.42	-																																	
	AMPS	8.7	8.9	9.2	-	9.3	9.6	9.8	-	10.1	10.3	10.6	-	10.7	11.0	11.3	-	11.4	11.6	12.0	-	12.0	12.3	12.6	-	12.4	12.7	13.1	-	12.6	12.9	13.3	-	12.6	12.9	13.3	-	12.6	12.9	13.3	-	12.6	12.9	13.3	-																																	
H/PR	160	172	182	-	180	193	204	-	204	220	232	-	233	251	265	-	262	282	298	-	289	311	329	-	307	331	349	-	307	331	349	-	307	331	349	-	307	331	349	-	307	331	349	-																																		
LO PR	54	56	63	-	57	61	66	-	59	63	69	-	62	66	73	-	65	70	76	-	68	72	79	-	69	73	80	-	69	73	80	-	69	73	80	-	69	73	80	-																																						
MBh	49.7	51.5	56.4	-	48.6	50.3	55.1	-	47.4	49.1	53.8	-	46.2	47.9	52.5	-	43.9	45.5	49.9	-	40.7	42.2	46.2	-	38.1	39.5	43.3	-	37.0	38.3	42.0	-	37.0	38.3	42.0	-	37.0	38.3	42.0	-	37.0	38.3	42.0	-																																		
S/T	0.65	0.54	0.38	-	0.67	0.56	0.39	-	0.69	0.58	0.40	-	0.71	0.60	0.41	-	0.74	0.62	0.43	-	0.75	0.62	0.43	-	0.77	0.64	0.44	-	0.77	0.64	0.44	-	0.78	0.65	0.45	-																																										
DT	20	18	13	-	21	18	14	-	21	18	14	-	21	18	14	-	21	18	13	-	19	17	13	-	18	16	12	-	18	16	12	-	18	16	12	-																																										
KW	4.1	4.19	4.32	-	4.65	4.75	4.91	-	5.11	5.22	5.39	-	5.58	5.70	5.89	-	6.01	6.14	6.35	-	6.40	6.55	6.77	-	6.74	6.90	7.14	-	6.89	7.05	7.29	-	6.89	7.05	7.29	-																																										
AMPS	8.6	8.8	9.0	-	9.2	9.4	9.7	-	9.9	10.1	10.4	-	10.5	10.8	11.1	-	11.2	11.4	11.8	-	11.8	12.0	12.4	-	12.2	12.5	12.9	-	12.4	12.6	13.0	-	12.4	12.6	13.0	-																																										
H/PR	157	169	178	-	176	190	200	-	200	216	228	-	228	246	259	-	257	276	292	-	284	305	322	-	301	324	342	-	301	324	342	-	301	324	342	-																																										
LO PR	53	56	62	-	56	60	65	-	58	62	68	-	61	65	71	-	64	68	74	-	66	71	77	-	67	72	78	-	67	72	78	-	67	72	78	-	67	72	78	-																																						
75	1844	MBh	54.0	55.6	60.2	64.6	52.8	54.3	58.8	63.1	51.5	53.0	57.4	61.6	50.2	51.7	56.0	60.1	47.7	49.1	53.2	57.1	44.2	45.5	49.3	52.9	41.4	42.6	46.1	49.5	40.2	41.4	44.8	48.1	0.96	0.86	0.65	0.4	0.96	0.85	0.64	0.4	19	18	15	10.0	19	18	15	10.0																												
		S/T	0.81	0.72	0.55	0.4	0.83	0.75	0.56	0.4	0.86	0.77	0.58	0.4	0.88	0.79	0.60	0.4	0.92	0.82	0.62	0.4	0.92	0.83	0.63	0.4	0.95	0.85	0.64	0.4	0.96	0.86	0.65	0.4	0.96	0.86	0.65	0.4	19	18	15	10.0	19	18	15	10.0																																
		DT	22	20	16	11	22	20	17	11	22	20	17	11	22	20	17	12	22	20	16	11	20	19	15	10.6	20	19	15	10.2	20	19	15	10.2	20	19	15	10.6	20	19	15	10.6																																				
		KW	4.23	4.32	4.45	4.6	4.80	4.90	5.06	5.2	5.27	5.39	5.57	5.8	5.76	5.89	6.08	6.3	6.20	6.34	6.56	6.8	6.61	6.76	6.99	7.2	6.96	7.13	7.37	7.6	7.12	7.28	7.54	7.8	7.12	7.28	7.54	7.8																																								
		AMPS	8.8	9.0	9.3	9.6	9.5	9.7	10.0	10.3	10.2	10.5	10.8	11.2	10.9	11.1	11.5	11.9	11.5	11.8	12.2	12.4	12.2	12.4	12.8	13.3	12.6	12.9	13.3	13.8	12.8	13.1	13.5	14.0	12.8	13.1	13.5	14.0																																								
		H/PR	163	175	185	193.2	183	197	208	216.7	208	224	236	246.5	237	255	269	280.7	266	287	303	315.8	294	317	335	349.0	313	336	355	370.6	320	345	364	379.8	320	345	364	379.8																																								
	LO PR	55	59	64	68.1	58	62	68	72.0	60	64	70	74.8	64	68	74	78.6	67	71	77	82.3	69	73	80	85.2	70	74	81	86.5	70	75	82	87.1	70	75	82	87.1																																									
	MBh	53.2	54.8	59.3	63.6	52.0	53.5	57.9	62.2	50.7	52.2	56.5	60.7	49.5	51.0	55.2	59.2	47.0	48.4	52.4	56.2	43.6	44.8	48.5	52.1	40.8	42.0	45.5	48.8	39.6	40.8	44.1	47.4	39.6	40.8	44.1	47.4																																									
	S/T	0.77	0.69	0.52	0.3	0.80	0.71	0.54	0.3	0.82	0.73	0.55	0.4	0.85	0.76	0.57	0.4	0.88	0.79	0.59	0.4	0.88	0.79	0.60	0.4	0.91	0.81	0.62	0.4	0.92	0.82	0.62	0.4	0.92	0.82	0.62	0.4																																									
	DT	23	21	17	12	23	21	17	12	23	21	17	12	23	21	18	12	23	21	17	12	21	20	16	11.2	21	19	16	10.8	20	19	15	10.6	20	19	15	10.6																																									
	KW	4.20	4.29	4.43	4.6	4.77	4.87	5.03	5.2</																																																																					

COOLING PERFORMANCE DATA

CKF70-5*

EXPANDED PERFORMANCE DATA

MODEL: CKF70-5* / A60-00-2

COOLING OPERATION

IDB	Airflow	Outdoor Ambient Temperature												115°F												118°F												125°F											
		75°F				85°F				95°F				105°F				115°F				118°F				125°F																							
		59	63	67	71	59	63	67	71	59	63	67	71	59	63	67	71	59	63	67	71	59	63	67	71	59	63	67	71	59	63	67	71																
70	1844	MBh	58.9	61.1	66.9	-	57.5	59.6	65.3	-	56.2	58.2	63.8	-	54.8	56.8	62.2	-	52.1	54.0	59.1	-	48.2	50.0	54.8	-	45.2	46.8	51.3	-	43.8	45.4	49.8	-															
		S/T	0.68	0.57	0.39	-	0.71	0.59	0.41	-	0.72	0.60	0.42	-	0.75	0.62	0.43	-	0.77	0.65	0.45	-	0.78	0.65	0.45	-	0.80	0.67	0.46	-	0.81	0.68	0.47	-															
		DT	20	17	13	-	20	18	13	-	20	18	13	-	20	17	13	-	20	17	13	-	19	16	12	-	18	16	12	-	18	15	12	-															
		KW	4.65	4.75	4.90	-	5.28	5.40	5.57	-	5.81	5.94	6.13	-	6.34	6.49	6.70	-	6.83	6.99	7.22	-	7.28	7.45	7.71	-	7.68	7.85	8.13	-	7.84	8.03	8.31	-															
		AMPS	11.0	11.3	11.6	-	11.8	12.0	12.3	-	12.6	12.8	13.2	-	13.3	13.6	14.0	-	14.0	14.3	14.7	-	14.7	15.0	15.5	-	15.2	15.5	16.0	-	15.4	15.7	16.2	-															
		LOPR	168	181	191	-	189	203	215	-	215	231	244	-	245	264	278	-	276	296	313	-	304	328	346	-	323	348	367	-	331	357	377	-															
	1650	MBh	58.0	60.2	65.9	-	56.7	58.8	64.4	-	55.3	57.4	62.8	-	54.0	56.0	61.3	-	51.3	53.2	58.2	-	47.5	49.2	53.9	-	44.5	46.1	50.5	-	43.2	44.8	49.0	-															
		S/T	0.65	0.54	0.38	-	0.68	0.56	0.39	-	0.69	0.58	0.40	-	0.71	0.60	0.41	-	0.74	0.62	0.43	-	0.75	0.62	0.43	-	0.77	0.64	0.44	-	0.78	0.65	0.45	-															
		DT	21	18	14	-	21	18	14	-	21	18	14	-	21	19	14	-	21	19	14	-	20	17	13	-	19	16	12	-	19	16	12	-															
		KW	4.63	4.73	4.87	-	5.25	5.37	5.54	-	5.77	5.90	6.10	-	6.31	6.45	6.66	-	6.79	6.95	7.18	-	7.24	7.40	7.66	-	7.63	7.81	8.08	-	7.80	7.98	8.26	-															
		AMPS	11.0	11.2	11.5	-	11.7	11.9	12.3	-	12.5	12.8	13.1	-	13.2	13.5	13.9	-	13.9	14.2	14.6	-	14.6	14.9	15.4	-	15.1	15.4	15.9	-	15.3	15.6	16.1	-															
		LOPR	167	180	190	-	188	202	213	-	214	230	243	-	243	262	276	-	274	294	311	-	302	325	344	-	321	345	365	-	329	354	374	-															
1456	MBh	55.1	57.1	62.6	-	53.9	55.8	61.2	-	52.6	54.5	59.7	-	51.3	53.2	58.2	-	48.7	50.5	55.3	-	45.1	46.8	51.3	-	42.3	43.8	48.0	-	41.0	42.5	46.6	-																
	S/T	0.62	0.52	0.36	-	0.65	0.54	0.37	-	0.66	0.55	0.38	-	0.68	0.57	0.40	-	0.71	0.59	0.41	-	0.72	0.60	0.41	-	0.74	0.61	0.43	-	0.74	0.62	0.43	-																
	DT	22	19	14	-	22	19	14	-	22	19	14	-	22	19	14	-	22	19	14	-	20	18	13	-	20	17	13	-	19	17	13	-																
	KW	4.56	4.65	4.80	-	5.17	5.28	5.45	-	5.68	5.80	5.99	-	6.20	6.34	6.55	-	6.67	6.83	7.06	-	7.11	7.28	7.53	-	7.50	7.67	7.93	-	7.66	7.84	8.11	-																
	AMPS	10.8	11.0	11.3	-	11.5	11.8	12.1	-	12.3	12.6	12.9	-	13.0	13.3	13.7	-	13.7	14.0	14.4	-	14.4	14.7	15.1	-	14.9	15.2	15.6	-	15.1	15.4	15.8	-																
	LOPR	164	176	186	-	184	198	209	-	209	225	238	-	238	256	271	-	268	289	305	-	296	319	337	-	315	339	357	-	322	347	366	-																
75	1844	MBh	59.9	61.7	66.8	71.6	58.5	60.2	65.2	70.0	57.1	58.8	63.7	68.3	55.7	57.4	62.1	66.7	52.9	54.5	59.0	63.3	49.0	50.5	54.6	58.7	45.9	47.3	51.2	54.9	44.6	45.9	49.7	53.3															
		S/T	0.77	0.69	0.52	0.3	0.80	0.72	0.54	0.3	0.82	0.74	0.56	0.4	0.85	0.76	0.57	0.4	0.88	0.79	0.60	0.4	0.89	0.79	0.60	0.4	0.91	0.82	0.62	0.4	0.92	0.83	0.62	0.4															
		DT	23	21	17	12	23	22	18	12	23	22	18	12	23	22	18	12	23	21	18	12	22	20	16	11.3	21	19	16	10.9	21	19	15	10.7															
		KW	4.69	4.79	4.94	5.1	5.33	5.44	5.62	5.8	5.86	5.99	6.18	6.4	6.40	6.54	6.76	7.0	6.89	7.05	7.29	7.5	7.35	7.52	7.77	8.0	7.74	7.92	8.20	8.5	7.91	8.10	8.38	8.7															
		AMPS	11.1	11.3	11.6	12.0	11.9	12.1	12.4	12.8	12.7	12.9	13.3	13.7	13.4	13.7	14.1	14.5	14.1	14.4	14.8	15.3	14.8	15.2	15.6	16.1	15.3	15.6	16.1	16.6	15.5	15.8	16.3	16.8															
		LOPR	170	183	193	201.7	191	206	217	226.4	217	234	247	257.4	247	266	281	293.2	278	300	316	329.9	308	331	349	364.5	327	351	371	387.1	335	360	380	396.7															
	1650	MBh	59.0	60.8	65.8	70.6	57.6	59.4	64.2	68.9	56.3	57.9	62.7	67.3	54.9	56.5	61.2	65.7	52.2	53.7	58.1	62.4	48.3	49.7	53.8	57.8	45.2	46.6	50.4	54.1	43.9	45.2	48.9	52.5															
		S/T	0.74	0.66	0.50	0.3	0.77	0.69	0.52	0.3	0.79	0.70	0.53	0.3	0.81	0.73	0.55	0.4	0.84	0.75	0.57	0.4	0.85	0.76	0.58	0.4	0.87	0.78	0.59	0.4	0.88	0.79	0.60	0.4															
		DT	24	22	18	13	25	23	19	13	25	23	19	13	25	23	19	13	24	23	18	13	23	21	17	11.9	22	20	17	11.5	22	20	16	11.3															
		KW	4.67	4.76	4.91	5.1	5.29	5.41	5.59	5.8	5.82	5.95	6.15	6.4	6.36	6.50	6.72	7.0	6.85	7.01	7.24	7.5	7.30	7.47	7.73	8.0	7.70	7.88	8.15	8.4	7.87	8.05	8.33	8.6															
		AMPS	11.1	11.3	11.6	11.9	11.8	12.0	12.3	12.7	12.6	12.9	13.2	13.6	13.3	13.6	14.0	14.4	14.1	14.3	14.8	15.2	14.8	15.1	15.5	16.0	15.2	15.5	16.0	16.5	15.4	15.8	16.2	16.7															
		LOPR	169	182	192	200.3	190	204	216	224.8	216	232	245	255.7	246	264	279	291.2	276	297	314	327.6	305	329	347	361.9	324	349	369	384.4	332	358	378	394.0															
1456	MBh	56.1	57.7	62.5	67.1	54.8	56.4	61.0	65.5	53.5	55.0	59.6	63.9	52.2	53.7	58.1	62.4	49.5	51.0	55.2	59.3	45.9	47.3	51.1	54.9	43.0	44.2	47.9	51.4	41.7	43.0	46.5	49.9																
	S/T	0.71	0.63	0.48	0.3	0.74	0.66	0.50	0.3	0.75	0.67	0.51	0.3	0.78	0.70	0.53	0.3	0.81	0.72	0.55	0.4	0.81	0.73	0.55	0.4	0.84	0.75	0.57	0.4	0.85	0.76	0.57	0.4																
	DT	25	23	19	13	25	23	19	13	25	23	19	13	25	24	19	13	25	23	19	13	24	22	18	12.3	23	21	17	11.8	22	21	17	11.6																
	KW	4.59	4.69	4.83	5.0	5.21	5.32	5.49	5.7	5.73	5.85	6.04	6.2	6.25	6.39	6.61	6.8	6.73	6.89	7.12	7.4	7.18	7.34	7.59	7.9	7.56	7.74	8.01	8.3	7.73	7.91	8.18	8.5																
	AMPS	10.9	11.1	11.4	11.8	11.6	11.8	12.2	12.5	12.4	12.7	13.0	13.4	13.1	13.4	13.8	14.2	13.8	14.1	14.5	15.0	14.5	14.8	15.3	15.8	15.0	15.3	15.7	16.3	15.2	15.5	15.9	16.5																
	LOPR	166	178	188	196.3	186	200	211	220.3	211	227	240	250.5	241	259	274	285.4	271	291	308	321.0	299	322	340	354.7	318	342	361	376.7	326	351	370	386.1																

AMPS=Outdoor unit amps (comp-hfan)

IDB: Entering Indoor Dry Bulb Temperature KW=Total system power

Shaded area is A/C (TVA) conditions
High and low pressures are measured at the liquid and suction service valves.

COOLING PERFORMANCE DATA

CKF70-5*

EXPANDED PERFORMANCE DATA

COOLING OPERATION

MODEL: CKF70-5* / A60-00-2

IDB* Airflow	Outdoor Ambient Temperature												115												118°F												125°F											
	75						85						95						105						115						118°F						125°F											
	59	63	67	71	75	79	59	63	67	71	75	79	59	63	67	71	75	79	59	63	67	71	75	79	59	63	67	71	75	79	59	63	67	71	75	79	59	63	67	71	75	79						
1844	MBh	61.0	62.3	66.6	71.2	59.5	60.9	65.0	69.5	58.1	59.4	63.5	67.8	72.1	66.2	53.9	55.1	58.8	62.9	49.9	51.0	54.5	58.2	46.7	47.8	51.0	54.5	45.4	46.4	49.5	52.9																	
	S/T	0.85	0.80	0.65	0.5	0.98	0.82	0.69	0.5	0.93	0.87	0.71	0.5	0.97	0.91	0.74	0.6	0.96	0.94	0.76	0.6	0.99	0.94	0.76	0.6	1.00	0.95	0.77	0.6																			
	DT	26	25	21	17	26	25	22	17	26	25	22	17	26	25	22	17	26	25	22	17	24	23	22	19	23	22	19	15	23	22	19	15	23														
	KW	4.73	4.83	4.98	5.1	5.37	5.49	5.66	5.9	5.91	6.04	6.24	6.4	6.45	6.60	6.82	7.1	6.95	7.11	7.35	7.6	7.41	7.58	7.84	8.1	7.81	7.99	8.27	8.6	7.98	8.17	8.46	8.8															
	AMPS	11.2	11.4	11.7	12.1	11.9	12.2	12.5	12.9	12.8	13.0	13.4	13.8	13.5	13.8	14.2	14.6	14.2	14.5	15.0	15.4	15.0	15.3	15.7	16.2	15.8	16.2	16.0	16.4	17.0	16.0	16.4	17.0															
	HI PR	172	185	195	203.8	193	208	219	228.7	219	236	249	260.1	250	269	284	296.2	281	303	319	333.2	311	334	353	368.2	330	355	375	391.0	338	364	384	400.7															
	LO PR	53	56	61	65.1	56	59	65	68.8	58	61	67	71.5	61	65	70	75.1	64	68	74	78.7	66	70	76	81.4	67	71	78	82.7	67	72	78	83.3															
	MBh	60.1	61.4	65.6	70.1	58.7	60.0	64.1	68.5	57.3	58.5	62.5	66.8	55.9	57.1	61.0	65.2	53.1	54.2	58.0	61.9	49.2	50.2	53.7	57.4	46.0	47.0	50.3	53.7	44.7	45.7	48.8	52.2															
	S/T	0.81	0.76	0.62	0.5	0.84	0.79	0.64	0.5	0.86	0.81	0.66	0.5	0.89	0.84	0.68	0.5	0.92	0.87	0.71	0.5	0.93	0.87	0.71	0.5	0.96	0.90	0.73	0.5	0.97	0.91	0.74	0.6															
	DT	27	26	23	18	28	26	23	18	28	26	23	18	28	27	23	18	27	26	23	18	26	24	21	17	25	24	20	16	23	20	16	11															
KW	4.70	4.80	4.95	5.1	5.34	5.45	5.63	5.8	5.87	6.00	6.20	6.4	6.41	6.56	6.78	7.0	6.91	7.07	7.31	7.6	7.37	7.54	7.80	8.1	7.77	7.95	8.22	8.5	7.94	8.12	8.40	8.7																
AMPS	11.2	11.4	11.7	12.0	11.9	12.1	12.4	12.8	12.7	13.0	13.3	13.7	13.4	13.7	14.1	14.6	14.2	14.5	14.9	15.4	14.9	15.2	15.6	16.1	15.3	15.7	16.1	16.7	15.5	15.9	16.3	16.9																
HI PR	171	184	194	202.4	192	206	218	227.1	218	234	248	258.2	248	267	282	294.1	279	300	317	330.9	308	332	351	365.6	328	353	372	388.2	336	361	382	398.0																
LO PR	52	56	61	64.6	55	59	64	68.3	57	61	67	71.0	60	64	70	74.6	63	67	73	78.1	65	70	76	80.8	66	71	77	82.1	67	71	78	82.7																
MBh	57.1	58.3	62.3	66.6	55.7	57.0	60.8	65.0	54.4	55.6	59.4	63.5	53.1	54.2	58.0	61.9	50.4	51.5	55.1	58.9	46.7	47.7	51.0	54.5	43.7	44.7	47.8	51.0	42.5	43.4	46.4	49.6																
S/T	0.78	0.73	0.59	0.4	0.81	0.76	0.62	0.5	0.83	0.78	0.63	0.5	0.85	0.80	0.65	0.5	0.89	0.83	0.68	0.5	0.92	0.84	0.68	0.5	0.95	0.86	0.70	0.5	0.93	0.87	0.71	0.5																
DT	28	27	23	19	28	27	24	19	28	27	24	19	28	27	24	19	28	27	23	19	26	25	22	18	25	24	21	16	25	24	21	16																
KW	4.63	4.73	4.87	5.0	5.25	5.37	5.54	5.7	5.77	5.90	6.10	6.3	6.31	6.45	6.66	6.9	6.79	6.95	7.18	7.4	7.24	7.40	7.66	7.9	7.63	7.81	8.08	8.4	7.80	7.98	8.26	8.5																
AMPS	11.0	11.5	11.8	12.1	11.7	11.9	12.3	12.6	12.5	12.8	13.1	13.5	13.2	13.5	13.9	14.3	13.9	14.2	14.6	15.1	14.6	14.9	15.4	15.9	15.1	15.4	15.9	16.4	15.3	15.6	16.1	16.6																
HI PR	167	180	190	198.3	188	202	213	222.5	214	230	243	253.1	243	262	276	288.2	274	294	311	324.3	302	325	344	358.3	321	345	365	380.5	329	354	374	390.0																
LO PR	51	54	59	63.3	54	58	63	66.9	56	60	65	69.6	59	63	69	73.1	62	66	72	76.6	64	68	74	79.2	65	69	76	80.5	66	70	76	81.0																
1844	MBh	62.0	63.2	66.2	70.7	60.6	61.8	64.7	69.0	59.1	60.3	63.1	67.4	57.7	58.8	61.6	65.7	54.8	55.9	59.5	62.4	50.8	51.8	54.2	57.8	47.5	48.5	50.8	54.2	46.2	47.1	49.3	52.6															
	S/T	0.89	0.86	0.77	0.6	0.92	0.89	0.80	0.7	0.94	0.91	0.82	0.7	0.98	0.94	0.85	0.7	1.00	0.98	0.88	0.7	1.00	0.98	0.89	0.7	1.00	1.00	0.91	0.7	1.00	1.00	0.92	0.7															
	DT	28	27	26	22	28	27	26	22	28	27	26	22	28	28	26	23	27	27	26	22	25	25	24	20.8	24	24	23	20.0	23	23	23	19.6															
	KW	4.77	4.87	5.02	5.2	5.41	5.53	5.71	5.9	5.95	6.09	6.29	6.5	6.51	6.65	6.88	7.1	7.01	7.17	7.42	7.7	7.47	7.65	7.91	8.2	7.88	8.07	8.34	8.6	8.06	8.24	8.53	8.8															
	AMPS	11.3	11.5	11.8	12.2	12.0	12.3	12.6	13.0	12.9	13.1	13.5	13.9	13.6	13.9	14.3	14.7	14.4	14.7	15.1	15.6	15.1	15.4	15.8	16.4	15.6	15.9	16.4	16.9	15.8	16.1	16.6	17.1															
	HI PR	174	187	197	205.8	195	210	221	230.9	222	238	252	262.7	252	272	287	299.1	284	306	323	336.5	314	338	357	371.8	333	359	379	394.9	341	367	388	404.7															
	LO PR	53	57	62	65.7	56	60	65	69.5	58	62	68	72.2	61	65	71	75.8	64	68	75	79.5	66	71	77	82.2	68	72	78	83.5	68	72	79	84.1															
	MBh	61.1	62.3	65.2	69.6	59.7	60.9	63.7	68.0	58.3	59.4	62.2	66.4	56.9	58.0	60.7	64.8	54.0	55.1	57.7	61.5	50.0	51.0	53.4	57.0	46.8	47.8	50.0	53.4	45.5	46.4	48.6	51.8															
	S/T	0.85	0.82	0.74	0.6	0.88	0.85	0.77	0.6	0.90	0.87	0.79	0.6	0.93	0.90	0.81	0.7	0.97	0.94	0.84	0.7	0.98	0.94	0.85	0.7	0.99	0.97	0.87	0.7	1.00	0.96	0.88	0.7															
	DT	29	29	27	23	29	29	27	24	29	29	27	24	30	29	28	24	29	29	27	23	27	27	25	21.9	26	26	24	21.1	25	25	24	20.7															
KW	4.74	4.84	4.99	5.2	5.38	5.50	5.68	5.9	5.92	6.05	6.25	6.5	6.47	6.62	6.84	7.1	6.97	7.13	7.37	7.6	7.43	7.60	7.86	8.1	7.83	8.02	8.29	8.6	8.01	8.19	8.48	8.8																
AMPS	11.2	11.5	11.8	12.1	12.0	12.2	12.5	12.9	12.8	13.1	13.4	13.9	13.5	13.8	14.2	14.7	14.3	14.6	15.0	15.5	15.0	15.3	15.8	16.3	15.5	15.8	16.3	16.8	15.7	16.0	16.5	17.0																
HI PR	172	186	196	204.4	193	208	220	229.3	220	237	250	260.8	251	270	285	297.1	282	303	320	334.2	312	335	354	369.3	331	356	376	392.1	339	365	385	401.9																
LO PR	53	56	61	65.3	56	59	65	69.0	58	62	67	71.7	61	65	71	75.3	64	68	74	78.9	66	70	77	81.6	67	71	78	82.9	68	72	78	83.5																
MBh	58.1	59.2	62.0	66.1	56.7	57.8	60.5	64.6	55.4	56.4	59.1	63.1	54.0	55.1	57.7	61.5	51.3	52.3	54.8	58.4	47.5	48.4	50.7	54.1	44.5	45.4	47.5	50.7	43.2	44.0	46.1	49.2																
S/T	0.82	0.79	0.71	0.6	0.85	0.82	0.74	0.6	0.87	0.84	0.75	0.6	0.89	0.86	0.78	0.6	0.93	0.90	0.81	0.7	0.94	0.90	0.82	0.7	0.96	0.93	0.84	0.7	0.97	0.94	0.85	0.7																
DT	30	29	28	24	30	30	28	24	30	30	28	24	31	30	28	25	30	30	28	24	28	28	26	22.6	27	27	25	21.7	27	26	25	21.4																
KW	4.66	4.76	4.91	5.1	5.29	5.41	5.58	5.8	5.82	5.95	6.15	6.4	6.36	6.50	6.72	7.0	6.85	7.01	7.24	7.5	7.30	7.47	7.73	8.0	7.70	7.88	8.15	8.4	7.87	8.05	8.33	8.6																
AMPS	11.1	11.3	11.6	11.9	11.8	12.0	12.3	12.7	12.6	12.9	13.2	13.6	13.3	13.6	14.0	14.4	14.1	14.3	14.7	15.2	14.8	15.1	15.5	16.0	15.2	15.5	16.0	16.5	15.4	15.8	16.2	16.7																
HI PR	169	182	192	200.3	190	204	215	224.7	216	232	245	255.6	246	264	279	291.1	276	297	314	327.5	305	329	347	361.9	324	349	368	384.3	332	358	378	393.9																
LO																																																

PERFORMANCE DATA

PERFORMANCE TEST

All data based upon listed indoor dry bulb temperature. .00 inches external static pressure on coil of outdoor section. Indoor air cubic feet per minute (CFM) as listed in the Performance Data Sheets:

If conditions vary from this, results will change as follows:

1. As indoor dry bulb temperatures increase, a slight increase will occur in indoor air temperature drop (Delta T). Low and high side pressures and power will not change.
2. As indoor CFM decreases, a slight increase will occur in indoor temperature drop (Delta T). A slight decrease will occur in low and high side pressures and power.

A properly operating unit should be within plus or minus **2 degrees** of the subcooling value shown in the installation instructions.

A properly operating unit should be within plus or minus **3 degrees** of the typical (Delta T) value shown.

A properly operating unit should be within plus or minus **10 PSIG** of the **HI PR** shown.

A properly operating unit should be within plus or minus **5 PSIG** of the **LO PR** shown.

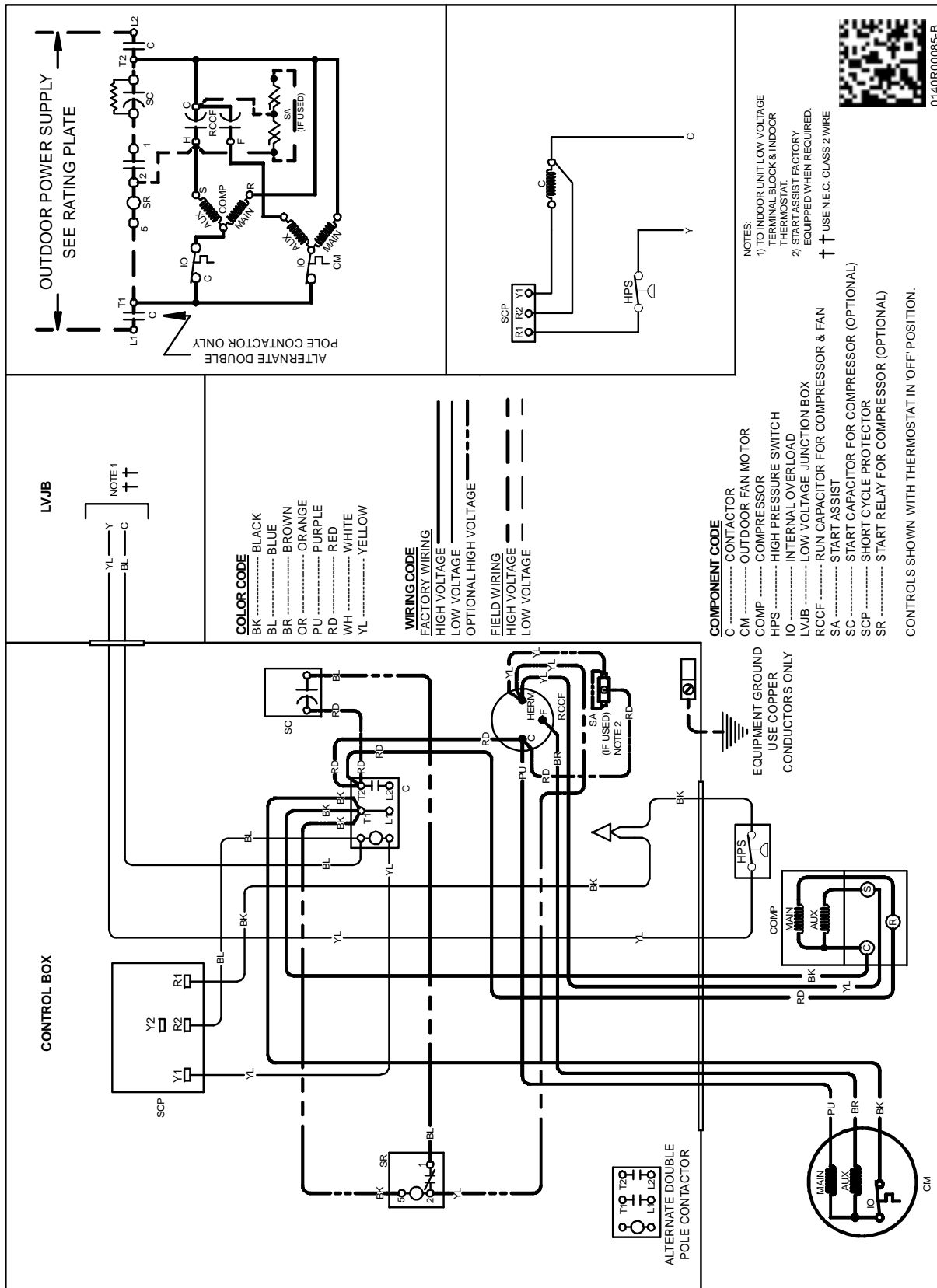
A properly operating unit should be within plus or minus **3 Amps** of the typical value shown.

WIRING DIAGRAMS

CKF[24-36]M/N/P

WARNING

HIGH VOLTAGE! DISCONNECT ALL POWER BEFORE SERVICING OR INSTALLING THIS UNIT. MULTIPLE POWER SOURCES MAY BE PRESENT. FAILURE TO DO SO MAY CAUSE PROPERTY DAMAGE, PERSONAL INJURY OR DEATH.



0140R00085-B

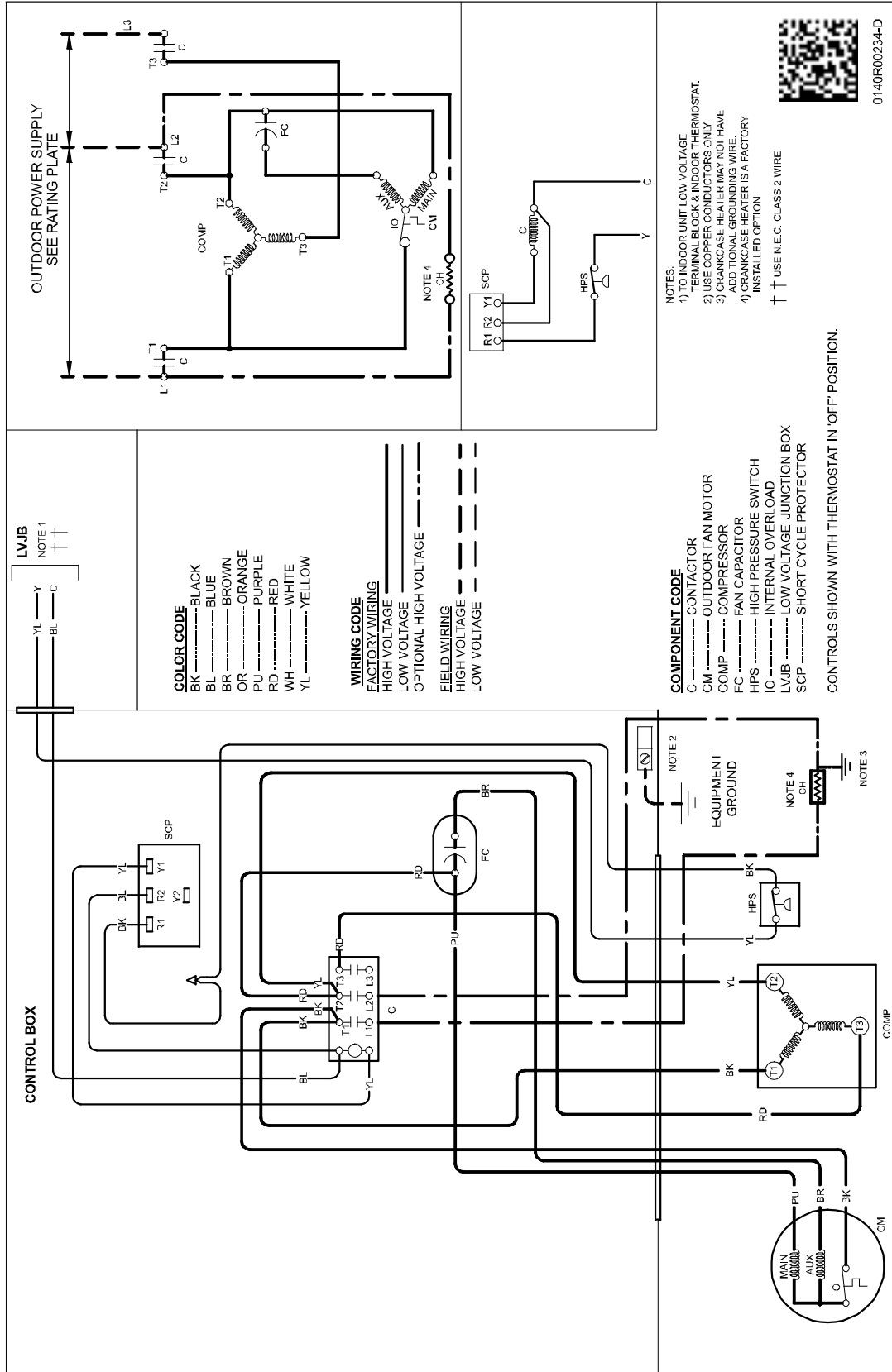
Wiring is subject to change. Always refer to the wiring diagram on the unit for the most up-to-date wiring.

WIRING DIAGRAMS

CKF[48-70]M/N/P

WARNING

HIGH VOLTAGE!
DISCONNECT ALL POWER BEFORE SERVICING OR INSTALLING THIS UNIT. MULTIPLE POWER SOURCES MAY BE PRESENT. FAILURE TO DO SO MAY CAUSE PROPERTY DAMAGE, PERSONAL INJURY OR DEATH.



Wiring is subject to change. Always refer to the wiring diagram on the unit for the most up-to-date wiring.

Free Manuals Download Website

<http://myh66.com>

<http://usermanuals.us>

<http://www.somanuals.com>

<http://www.4manuals.cc>

<http://www.manual-lib.com>

<http://www.404manual.com>

<http://www.luxmanual.com>

<http://aubethermostatmanual.com>

Golf course search by state

<http://golfingnear.com>

Email search by domain

<http://emailbydomain.com>

Auto manuals search

<http://auto.somanuals.com>

TV manuals search

<http://tv.somanuals.com>