



PRACTICAL USER'S GUIDE FOR THE ELECTRIC FIREPLACE

BF series with filter and LED logset



purifire™
Air treatment system

Quality checked by:

Valued Customer,

We are pleased that you have chosen to purchase an electric fireplace manufactured by Dimplex North America Ltd.

Over the years, valuable memories will occur around the warmth and comfort of your hearth. Thank you for allowing our product to be the backdrop for those special moments.

7207920100rev00

QUICK REFERENCE GUIDE FOR THE ELECTRIC FIREPLACE

- 1. Prior to the first use of the fireplace verify the following:**
 - **Are the circuit breakers for the fireplace on?**
 - **Are the light bulbs in your fireplace loose? (to check, follow the instructions for replacing the light bulbs under the maintenance section of this manual)**

- 2. The heater on your fireplace may emit a slight, harmless odor when first used. This odor is a normal condition caused by the initial heating of internal heater parts and will not occur again.**

- 3. If your heater does not emit heat, ensure the main switch is on, the built-in thermostat is set above the current room temperature and any wall switches for the unit are on. If this does not work, switch the unit off for 5 minutes and try again. Consult operation section of your practical users guide for further information.**

- 4. The information regarding the model of your fireplace can be found on the rating plate located on the side adjacent to the supply cord.**

- 5. If you have any technical questions regarding the operation of your fireplace, or require service for your fireplace contact Dimplex customer service**

CONTENTS

PAGE 1	Important Instructions
PAGE 2	Model and Serial Number Information
PAGE 4	Operation
PAGE 6	Maintenance
PAGE 9	Accessories
PAGE 10	Warranty

IMPORTANT INSTRUCTIONS

SAVE THESE INSTRUCTIONS

PLEASE RETAIN THIS USER'S GUIDE FOR FUTURE REFERENCE

When using electrical appliances, basic precautions should always be followed to reduce the risk of fire, electric shock, and injury to persons, including the following:

1. Read all instructions before using the electric fireplace.
2. This fireplace is hot when in use. To avoid burns, do not let bare skin touch hot surfaces. The trim around the heater outlet becomes hot during heater operation. Keep combustible materials, such as furniture, pillows, bedding, papers, clothes, and curtains at least 3 feet (0.9m) from the front of the unit.
3. Extreme caution is necessary when any heater is used by or near children or invalids and whenever the unit is left operating and unattended.
4. Young children should be supervised to ensure that they do not play with the appliance.
5. The appliance is not intended for use by young children or infirmed persons unless they have been adequately supervised by a responsible person to ensure they can use the appliance safely.
6. The appliance must be positioned so that the plug is accessible.
7. Always unplug the electric fireplace when not in use.
8. If the supply cord is damaged, it must be replaced by the manufacturer, or its service agent, or a qualified person in order to avoid a hazard.
9. Do not operate any unit with a damaged cord or plug, or if the heater has malfunctioned, or if the electric fireplace has been dropped or damaged in any manner. Return heater to authorized service facility for examination, electrical or mechanical adjustment, or repair.
10. Do not use outdoors.
11. Do not use this fireplace in the immediate surroundings of a bath, a shower or a swimming pool.
12. Do not install the fireplace directly on carpet or a similar surface which may restrict air circulation beneath the unit.
13. Do not run the cord under carpeting. Do not cover cord with throw rugs, runners, or the like. Arrange cord away from traffic area and where it will not be tripped over.
14. Do not locate the heater immediately below a fixed socket-outlet.
15. Do not locate the appliance in front of a fixed socket-outlet
16. To disconnect the fireplace, turn the controls off, then remove the plug from the outlet.
17. Do not insert or allow foreign objects to enter any ventilation or exhaust opening as this may cause an electric shock or fire, or damage to the heater.
18. To prevent a possible fire, do not block air intake or exhaust in any manner. Do not use on soft surfaces, like a bed, where openings may become blocked.
19. All electrical heaters have hot and arching or sparking parts inside. Do not use in areas where gasoline, paint, or flammable liquids are used or stored or where the unit will be exposed to flammable vapors.
20. Do not modify the electric fireplace. Use it only as described in this manual. Any other use not recommended by the manufacturer may cause fire, electric shock or injury to persons.
21. Avoid the use of an extension cord. Extension cords may overheat and cause a risk of fire. If you must use an extension cord, the cord must be 3-core type and have a rating no less than 13 amps.
22. Do not burn wood or other materials in the electric fireplace.
23. Do not strike the fireplace glass.
24. Always use a certified electrician should new circuits or outlets be required.
25. Always use properly grounded, fused and polarized outlets.
26. Disconnect all power supply before performing any cleaning, maintenance or relocation of the unit.
27. When transporting or storing the unit and cord, keep in a dry place, free from excessive vibration and store so as to avoid damage.
28. **WARNING:** In order to avoid overheating, do not cover the heater
29. **CAUTION:** In order to avoid a hazard due to the inadvertent resetting of the thermal cutout, this appliance must not be supplied through an external switching device, such as a timer, or connected to a circuit that is regularly switched on and off by the utility

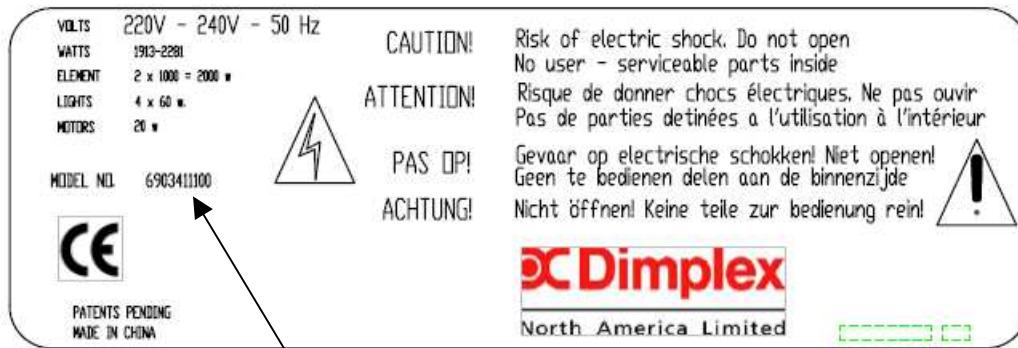
NOTE: Procedures and techniques that are considered important enough to emphasize.

CAUTION: Procedures and techniques which, if not carefully followed, will result in damage to the equipment.

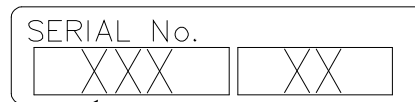
WARNING: Procedures and techniques which, if not carefully followed, will expose the user to the risk of fire, serious injury, illness or death.

IMPORTANT INSTRUCTIONS

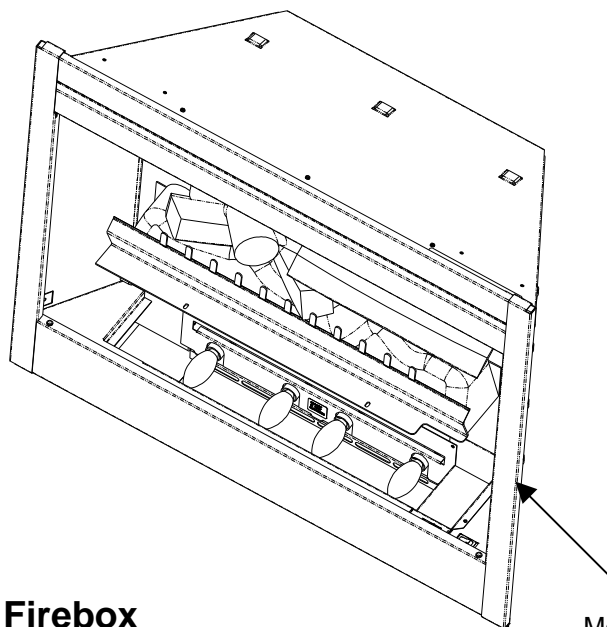
If you have any questions about our products please have the product model and serial numbers available upon calling Dimplex customer service. To locate the model and serial number labels see below.



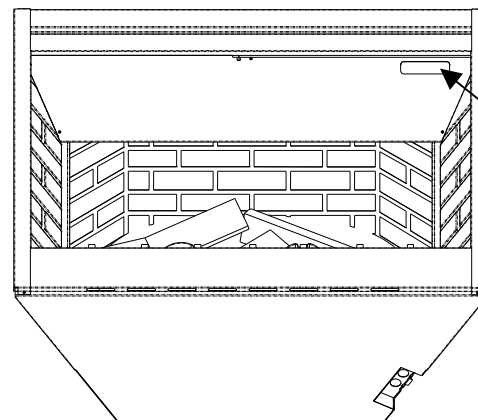
Model Number

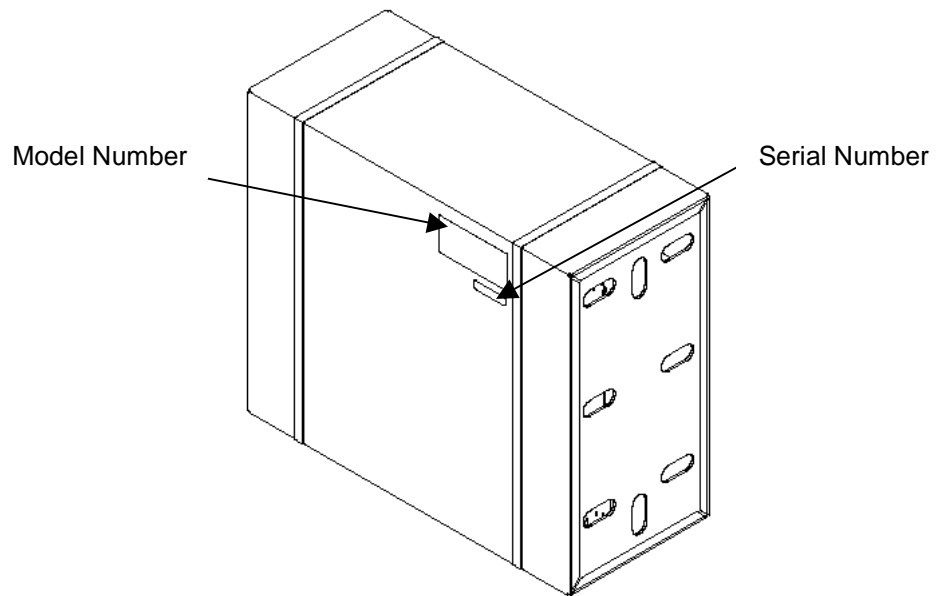


Serial Number



Firebox





Carton

OPERATION

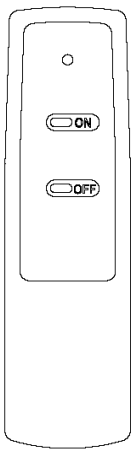


FIGURE 1

REMOTE CONTROL

The remote control has a range of approximately 50ft. (15.25m), it does not have to be pointed at the fireplace and can pass through most obstacles (including walls).

Remote Control Initialization

This procedure may be required if there is a loss of power to the remote control in the fireplace. (i.e. power failure, breaker tripped, main power switch is turned off) or if a new remote is used.

1. Ensure that power is supplied through main service panel.
2. Locate manual controls (FIGURE 2)
3. Activate main power switch.
4. Press — (on) button located on the Manual Selection Control for **3 seconds** (FIGURE 3). All 3 indicators will flash.

Press the **ON** button on the transmitter (FIGURE 1). The indicators will flash rapidly and then turn off. This will synchronize the remote control transmitter and receiver.

A. Remote Control Usage

The remote control operates the fireplace levels sequentially. The level is increased every time the ON button on the transmitter is pressed. The fireplace can be turned off at any point by pressing the OFF button on the remote control transmitter.

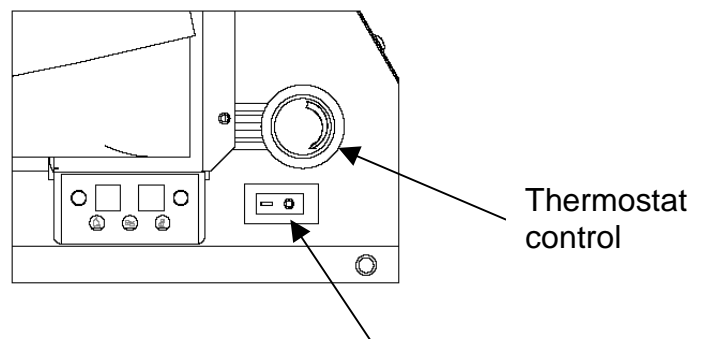
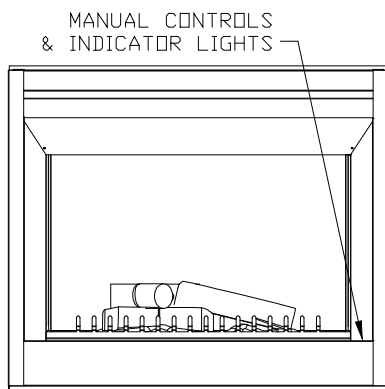


FIGURE 2

Main power switch

Level 1: The flame effect is turned on and the first red indicator light is activated.

Level 2: The flame effect remains on, and the *Purifire*TM is activated. The first and second red indicator lights are activated.

Level 3: The flame effect remains on, the heater is activated, and all three red indicator lights are activated.

MANUAL CONTROLS

The fireplace can also be controlled in a similar manner to the remote control with switches located on the fireplace (FIGURE 3).

A. On Switch

Operates fireplace in the same manner as the remote control transmitter. Pressing this button has the same effect as the ON button on the remote control. Pressing once to the activates Level 1, twice activates Level 2, three times activates Level 3.

B. Off Switch

Pressing this button has the same effect as the OFF button on the remote control. Pressing once to shut the unit off.

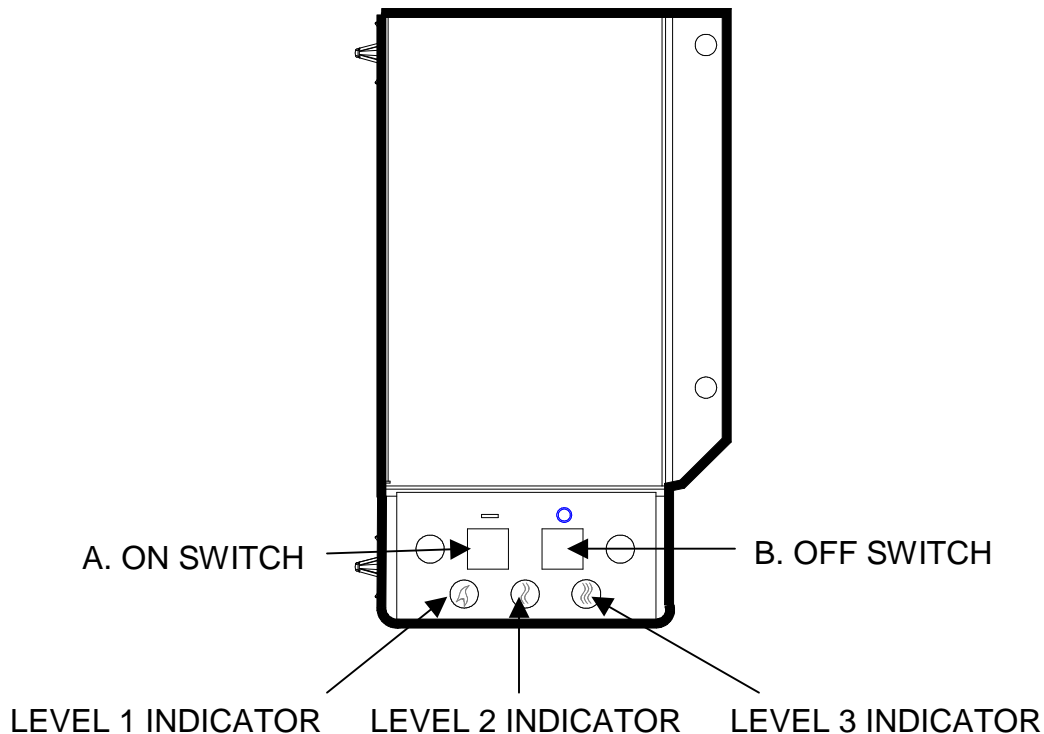


FIGURE 3

HEATER THERMOSTAT CONTROL

To adjust the temperature to your individual requirements, turn the thermostat control clockwise all the way to turn on the heater. When the room reaches the desired temperature, turn the thermostat knob counter clockwise until you hear a click. Leave in this position to maintain the room temperature at this setting. For additional heat, turn clockwise until you hear the click again and the heater will turn on.

NOTE:

The heater may emit a slight harmless odor when first used. This odor is a normal condition caused by initial heating of internal parts and will not occur again.

THE TEMPERATURE CUTOUT SWITCH

The heater on this fireplace is protected with a safety device to prevent overheating. Should the heater overheat, an automatic cut out will turn the heater off. The heater will re-activate once the heater has cooled. The overheat cutout may be triggered if the filter is dirty. Follow filter maintenance on page 8.

CAUTION

If the heater continuously resets, disconnect the power at the main service panel and call your local dealer.

MAINTENANCE

WARNING

Disconnect all power coming to fireplace at main service panel before attempting maintenance or cleaning to reduce risk of fire, shock or damage to persons.

NOTE

Allow at least 5 minutes for light bulbs to cool off before touching bulbs to avoid accidental burning of skin.

TOOL REQUIREMENTS

Screwdriver

LIGHT BULB REPLACEMENT

Allow at least 5 minutes for light bulbs to cool off before touching bulbs to avoid accidental burning of skin.

Light bulbs need to be replaced when you notice a dark section of the flame or when the clarity and detail of the log exterior disappears. There are four bulbs under the log set which generate the flames and embers.

LIGHT BULB REQUIREMENTS

Quantity of 4 clear chandelier or candelabra bulbs with an E-14 socket base, 60 watt rating.

DO NOT EXCEED 60 WATTS PER BULB.

CAUTION

When handling log only apply force to the ember bed section not directly to the logs.

HELPFUL HINTS

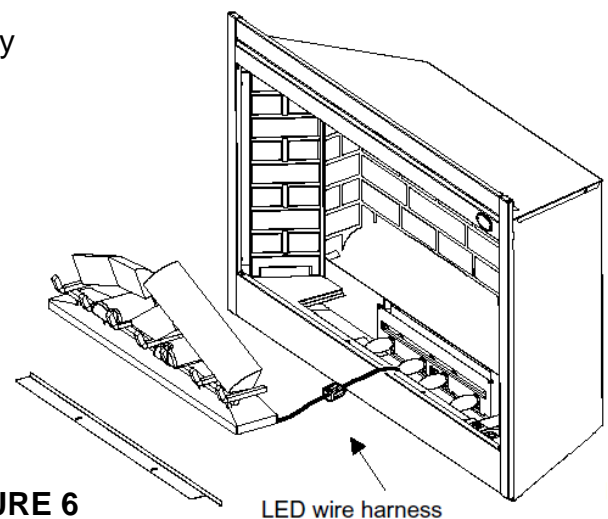
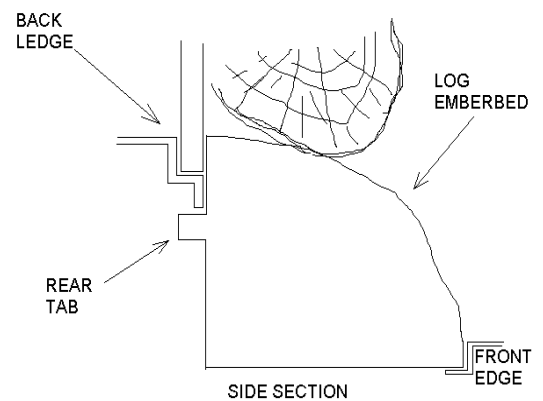
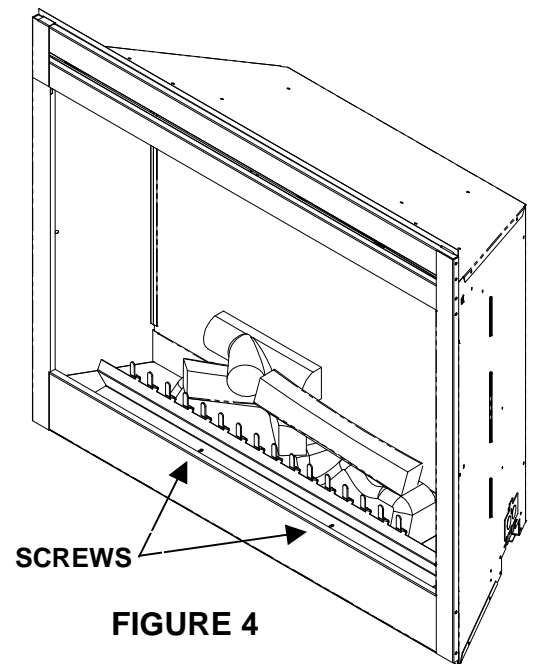
It is a good idea to replace all light bulbs at one time if they are close to the end of their rated life. Group replacement will reduce the number of times you need to open the unit to replace light bulbs. Long life bulbs are recommended to reduce the frequency of bulb changes.

To access the light bulb area

1. Open steel curtain (remove glass doors if applicable).
2. Remove two screws on log bracket and set aside. (FIGURE 4)
3. Pull front edge of plastic ember bed or plastic grate up and forward until rear tab releases from the ledge located at the bottom of the mirror. (FIGURE 5)

Note: Log set fits tightly into firebox, some force may be necessary to remove.

4. Set logset in front of firebox.
5. Disconnect the logset LED wire harness from unit. (FIGURE 6)
6. Examine the bulbs to determine which bulbs require replacement.
7. Unscrew bulbs counter clockwise.
8. Insert new bulbs.
9. Re-connect the logset LED wire harness to the unit.
10. Replace the log by inserting the rear tab of the logset under the back ledge of the fireplace and push down on the front edge of the logset until it snaps into place. (FIGURE 5)
11. Replace log grate using two screws previously removed.



PURIFIRE™ FILTER

The Purifire™ filter supplied in your fireplace is reusable and washable. The filter should be cleaned or replaced on average once a year. To clean the filter gently tap filter on a hard surface to dislodge any loose dirt or debris, and then clean with water. No soap or cleaning products are recommended. The filter size is 20"(508mm) X 10"(254mm) X 1"(25.4mm) rated at MERV 10. If using an after market filter follow the manufacturers recommended replacement instructions.

To replace filter:

1. Remove the 2 mounting screws from the air filter bracket.
2. Slide forward to remove the air filter bracket assembly from the firebox.
3. Slide filter out of air filter bracket.
4. Reassemble in reverse order as above.

NOTE

If after market air filter is used ensure it is installed according to the manufacturers recommended instructions.

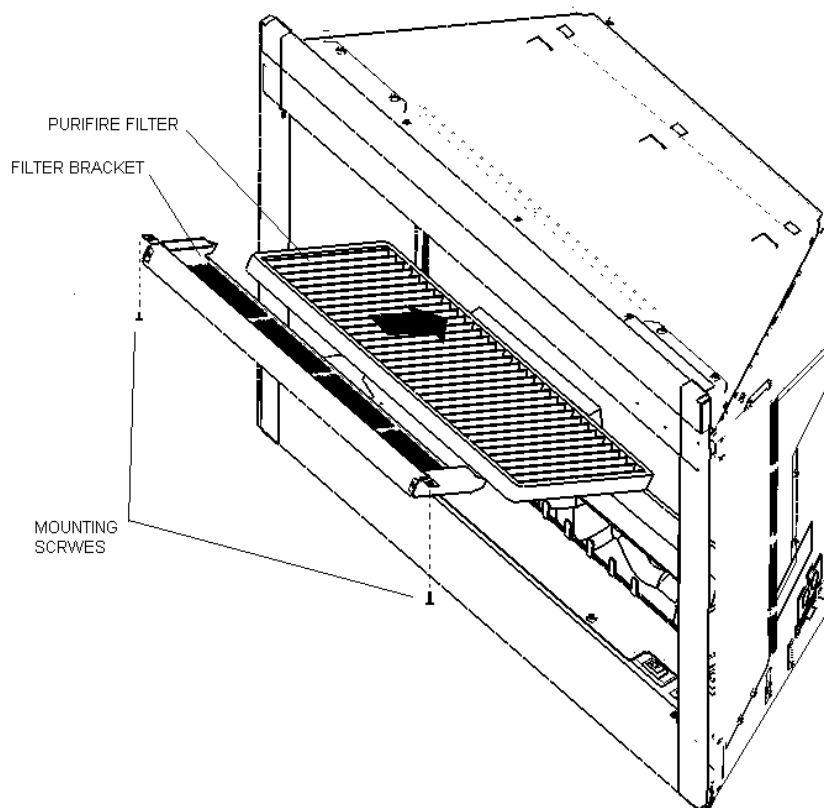


FIGURE 7

Mirror Cleaning

The mirror is cleaned in the factory during the assembly operation. During shipment, installation, handling, etc., the mirror surface may collect dust particles; these can be removed by buffing lightly with a clean dry cloth.

To remove fingerprints or other marks, the mirror can be cleaned with a damp cloth using good quality household glass cleaner. The mirror should be completely dried with a lint free cloth to prevent water spots. To prevent scratching, do not use abrasive cleaners or spray liquids on the clear door surface.

ACCESSORIES

Please contact your local dealer for genuine Dimplex accessories. Example: Glass door kits, brass and stainless steel trims, and cabinets designed to fit your fireplace.

WARRANTY

Dimplex Electric Fireplaces are tested and inspected prior to shipment and are guaranteed from defect to the purchaser of each new product. Any part which proves to be defective in material or workmanship under normal use within one year will be repaired or replaced without charge.* The Company will not be responsible for any expense incurred for installation, removal for service, or transportation costs. Any such defect should be brought to the attention of the Dealer where the product was purchased and is authorized to repair or replace within the terms of this warranty.

The Company's only obligation under this warranty will be at its sole option to repair or replace any part proving defective or to refund the purchase price thereof.

The owner/user assumes all other risks, if any, including the risk of any direct, indirect or consequential loss or damage arising out of the use of or inability to use the product.

The warranty will not apply if, in the sole judgment of the Company, damage or failure has resulted from accident, alteration, misuse, abuse, incorrect installation, or operation on an incorrect power source.

The foregoing is in lieu of all other warranties expressed, implied, or statutory, and the Company neither assumes, nor authorizes any person to assume for it any other obligation, or liability in connection with said product.

*Light bulbs are not covered in the warranty.

SERVICE

Contact your local dealer for service or warranty information.



The product complies with the European Safety Standard EN60335-2-30 and the European Standard for Electromagnetic Compatibility (EMC) EN55014, EN6055-2 and EN60555-3 which cover the essential requirements of EEG Directives 73/23 and 89/336.

Free Manuals Download Website

<http://myh66.com>

<http://usermanuals.us>

<http://www.somanuals.com>

<http://www.4manuals.cc>

<http://www.manual-lib.com>

<http://www.404manual.com>

<http://www.luxmanual.com>

<http://aubethermostatmanual.com>

Golf course search by state

<http://golfingnear.com>

Email search by domain

<http://emailbydomain.com>

Auto manuals search

<http://auto.somanuals.com>

TV manuals search

<http://tv.somanuals.com>