

If you have questions or comments, contact us.
Pour toute question ou tout commentaire, nous contacter.

Si tiene dudas o comentarios, contáctenos.

1-800-4-DEWALT • www.dewalt.com

INSTRUCTION MANUAL
GUIDE D'UTILISATION
MANUAL DE INSTRUCCIONES

INSTRUCTIVO DE OPERACIÓN, CENTROS DE SERVICIO Y PÓLIZA DE GARANTÍA. ADVERTENCIA: LEÁSE ESTE INSTRUCTIVO ANTES DE USAR EL PRODUCTO.

DEWALT®

DWP849, DWP849X

Polishers
Polisseuses
Pulidoras

DEWALT Industrial Tool Co., 701 East Joppa Road, Baltimore, MD 21286
(JAN11) Part No. N081335 DWP849, DWP849X Copyright © 2011 DEWALT

The following are trademarks for one or more DEWALT power tools: the yellow and black color scheme, the "D" shaped air intake grill, the array of pyramids on the handgrip, the kit box configuration, and the array of lozenge-shaped humps on the surface of the tool.

Definitions: Safety Guidelines

The definitions below describe the level of severity for each signal word. Please read the manual and pay attention to these symbols.

▲DANGER: Indicates an imminently hazardous situation which, if not avoided, **will** result in **death or serious injury**.

▲WARNING: Indicates a potentially hazardous situation which, if not avoided, **could** result in **death or serious injury**.

▲CAUTION: Indicates a potentially hazardous situation which, if not avoided, **may** result in **minor or moderate injury**.

NOTICE: Indicates a practice **not related to personal injury** which, if not avoided, **may** result in **property damage**.

IF YOU HAVE ANY QUESTIONS OR COMMENTS ABOUT THIS OR ANY DEWALT TOOL, CALL US TOLL FREE AT: **1-800-4-DEWALT (1-800-433-9258)**.

WARNING: To reduce the risk of injury, read the instruction manual.

General Power Tool Safety Warnings

WARNING! Read all safety warnings and all instructions. Failure to follow the warnings and instructions may result in electric shock, fire and/or serious injury.

SAVE ALL WARNINGS AND INSTRUCTIONS FOR FUTURE REFERENCE

The term "power tool" in the warnings refers to your mains-operated (corded) power tool or battery-operated (cordless) power tool.

1) WORK AREA SAFETY

- Keep work area clean and well lit.** Cluttered or dark areas invite accidents.
- Do not operate power tools in explosive atmospheres, such as in the presence of flammable liquids, gases or dust.** Power tools create sparks which may ignite the dust or fumes.
- Keep children and bystanders away while operating a power tool.** Distractions can cause you to lose control.

2) ELECTRICAL SAFETY

- Power tool plugs must match the outlet. Never modify the plug in any way. Do not use any adapter plugs with earthed (grounded) power tools.** Unmodified plugs and matching outlets will reduce risk of electric shock.
- Avoid body contact with earthed or grounded surfaces such as pipes, radiators, ranges and refrigerators.** There is an increased risk of electric shock if your body is earthed or grounded.
- Do not expose power tools to rain or wet conditions.** Water entering a power tool will increase the risk of electric shock.
- Do not abuse the cord. Never use the cord for carrying, pulling or unplugging the power tool. Keep cord away from heat, oil, sharp edges or moving parts.** Damaged or entangled cords increase the risk of electric shock.
- When operating a power tool outdoors, use an extension cord suitable for outdoor use.** Use of a cord suitable for outdoor use reduces the risk of electric shock.
- If operating a power tool in a damp location is unavoidable, use a ground fault circuit interrupter (GFCI) protected supply.** Use of a GFCI reduces the risk of electric shock.

3) PERSONAL SAFETY

- Stay alert, watch what you are doing and use common sense when operating a power tool. Do not use a power tool while you are tired or under the influence of drugs, alcohol or medication.** A moment of inattention while operating power tools may result in serious personal injury.
- Use personal protective equipment. Always wear eye protection.** Protective equipment such as dust mask, non-skid safety shoes, hard hat, or hearing protection used for appropriate conditions will reduce personal injuries.
- Prevent unintentional starting. Ensure the switch is in the off position before connecting to power source and/or battery pack, picking up or carrying the tool.** Carrying power tools with your finger on the switch or energizing power tools that have the switch on invites accidents.
- Remove any adjusting key or wrench before turning the power tool on.** A wrench or a key left attached to a rotating part of the power tool may result in personal injury.
- Do not overreach. Keep proper footing and balance at all times.** This enables better control of the power tool in unexpected situations.
- Dress properly. Do not wear loose clothing or jewelry. Keep your hair, clothing and gloves away from moving parts.** Loose clothes, jewelry or long hair can be caught in moving parts.
- If devices are provided for the connection of dust extraction and collection facilities, ensure these are connected and properly used.** Use of dust collection can reduce dust-related hazards.

4) POWER TOOL USE AND CARE

- Do not force the power tool. Use the correct power tool for your application.** The correct power tool will do the job better and safer at the rate for which it was designed.
- Do not use the power tool if the switch does not turn it on and off.** Any power tool that cannot be controlled with the switch is dangerous and must be repaired.
- Disconnect the plug from the power source and/or the battery pack from the power tool before making any adjustments, changing accessories, or storing power tools.** Such preventive safety measures reduce the risk of starting the power tool accidentally.
- Store idle power tools out of the reach of children and do not allow persons unfamiliar with the power tool or these instructions to operate the power tool.** Power tools are dangerous in the hands of untrained users.

- Maintain power tools. Check for misalignment or binding of moving parts, breakage of parts and any other condition that may affect the power tool's operation. If damaged, have the power tool repaired before use.** Many accidents are caused by poorly maintained power tools.

- Keep cutting tools sharp and clean.** Properly maintained cutting tools with sharp cutting edges are less likely to bind and are easier to control.

- Use the power tool, accessories and tool bits etc., in accordance with these instructions taking into account the working conditions and the work to be performed.** Use of the power tool for operations different from those intended could result in a hazardous situation.

5) SERVICE

- Have your power tool serviced by a qualified repair person using only identical replacement parts.** This will ensure that the safety of the power tool is maintained.

Safety Instructions for All Operations

- This power tool is intended to function as a polisher. Read all safety warnings, instructions, illustrations and specifications provided with this power tool.** Failure to follow all instructions listed below may result in electric shock, fire and/or serious injury.

- Operations such as grinding, sanding, wire brushing or cutting-off are not recommended to be performed with this power tool.** Operations for which the power tool was not designed may create a hazard and cause personal injury.

- Do not use accessories which are not specifically designed and recommended by the tool manufacturer.** Just because the accessory can be attached to your power tool, it does not assure safe operation.

- The rated speed of the accessory must be at least equal to the maximum speed marked on the power tool.** Accessories running faster than their rated speed can break and fly apart.

- The outside diameter and the thickness of your accessory must be within the capacity rating of your power tool.** Incorrectly sized accessories cannot be adequately guarded or controlled.

- The arbor size of wheels, flanges, backing pads or any other accessory must properly fit the spindle of the power tool.** Accessories with arbor holes that do not match the mounting hardware of the power tool will run out of balance, vibrate excessively and may cause loss of control.

- Do not use a damaged accessory. Before each use inspect the accessory such as abrasive wheels for chips and cracks, backing pad for cracks, tear or excess wear, wire brush for loose or cracked wires. If power tool or accessory is dropped, inspect for damage or install an undamaged accessory. After inspecting and installing an accessory, position yourself and bystanders away from the plane of the rotating accessory and run the power tool at maximum no-load speed for one minute.** Damaged accessories will normally break apart during this test time.

- Wear personal protective equipment. Depending on application, use face shield, safety goggles or safety glasses. As appropriate, wear dust mask, hearing protectors, gloves and workshop apron capable of stopping small abrasive or workpiece fragments. The eye protection must be capable of stopping flying debris generated by various operations.** The dust mask or respirator must be capable of filtering particles generated by your operation. Prolonged exposure to high intensity noise may cause hearing loss.

- Keep bystanders a safe distance away from work area. Anyone entering the work area must wear personal protective equipment.** Fragments of workpiece or of a broken accessory may fly away and cause injury beyond immediate area of operation.

- Hold power tool by insulated gripping surfaces only, when performing an operation where the cutting accessory may contact hidden wiring or its own cord.** Cutting accessory contacting a "live" wire may make exposed metal parts of the power tool "live" and shock the operator.

- Position the cord clear of the spinning accessory.** If you lose control, the cord may be cut or snagged and your hand or arm may be pulled into the spinning accessory.

- Never lay the power tool down until the accessory has come to a complete stop.** The spinning accessory may grab the surface and pull the power tool out of your control.

- Do not run the power tool while carrying it at your side.** Accidental contact with the spinning accessory could snag your clothing, pulling the accessory into your body.

- Regularly clean the power tool's air vents.** The motor's fan will draw the dust inside the housing and excessive accumulation of powdered metal may cause electrical hazards.

- Do not operate the power tool near flammable materials.** Sparks could ignite these materials.

- Do not use accessories that require liquid coolants.** Using water or other liquid coolants may result in electrocution or shock.

Further Safety Instructions for All Operations

KICKBACK AND RELATED WARNINGS

Kickback is a sudden reaction to a pinched or snagged rotating wheel, backing pad, brush or any other accessory. Pinching or snagging causes rapid stalling of the rotating accessory which in turn causes the uncontrolled power tool to be forced in the direction opposite of the accessory's rotation at the point of the binding.

For example, if an abrasive wheel is snagged or pinched by the workpiece, the edge of the wheel that is entering into the pinch point can dig into the surface of the material causing the wheel to climb out or kick out. The wheel may either jump toward or away from the operator, depending on direction of the wheel's movement at the point of pinching. Abrasive wheels may also break under these conditions.

Kickback is the result of tool misuse and/or incorrect operating procedures or conditions and can be avoided by taking proper precautions as given below:

- Maintain a firm grip on the power tool and position your body and arm to allow you to resist kickback forces. Always use auxiliary handle, if provided, for maximum control over kickback or torque reaction during start up.** The operator can control torque reaction or kickback forces, if proper precautions are taken.
- Never place your hand near the rotating accessory.** Accessory may kickback over your hand.
- Do not position your body in the area where power tool will move if kickback occurs.** Kickback will propel the tool in direction opposite to the wheel's movement at the point of snagging.
- Use special care when working corners, sharp edges, etc. Avoid bouncing and snagging the accessory.** Corners, sharp edges or bouncing have a tendency to snag the rotating accessory and cause loss of control or kickback.
- Do not attach a saw chain woodcarving blade or toothed saw blade.** Such blades create frequent kickback and loss of control.

Safety Warnings Specific for Polishing Operations

- Do not allow any loose portion of the polishing bonnet or its attachment strings to spin freely. Tuck away or trim any loose attachment strings.** Loose and spinning attachment strings can entangle your fingers or snag on the workpiece.

Additional Specific Safety Instructions for Polishers

- Always use eye protection.** All users and bystanders must wear eye protection that conforms to ANSI Z87.1.
- Clean out your tool often, especially after heavy use.** Dust and grit containing metal particles often accumulate on interior surfaces and could create an electric shock hazard.
- Do not operate this tool for long periods of time.** Vibration caused by the operating action of this tool may cause permanent injury to fingers, hands and arms. Use gloves to provide extra cushion, take frequent rest periods and limit daily time of use.
- Air vents often cover moving parts and should be avoided.** Loose clothes, jewelry or long hair can be caught in moving parts.
- An extension cord must have adequate wire size (AWG or American Wire Gauge) for safety.** The smaller the gauge number of the wire, the greater the capacity of the cable, that is 16 gauge has more capacity than 18 gauge. An undersized cord will cause a drop in line voltage resulting in loss of power and overheating. When using more than one extension to make up the total length, be sure each individual extension contains at least the minimum wire size. The following table shows the correct size to use depending on cord length and nameplate ampere rating. If in doubt, use the next heavier gauge. The smaller the gauge number, the heavier the cord.

Ampere Rating		Minimum Gauge for Cord Sets				
		Volts	Total Length of Cord in Feet (meters)			
More Than	Not More Than	120V	25 (7.6)	50 (15.2)	100 (30.5)	150 (45.7)
		240V	50 (15.2)	100 (30.5)	200 (61.0)	300 (91.4)
		AWG				
0	6	18	16	16	14	
6	10	18	16	14	12	
10	12	16	16	14	12	
12	16	14	12	Not Recommended		

▲WARNING: ALWAYS use safety glasses. Everyday eyeglasses are NOT safety glasses. Also use face or dust mask if cutting operation is dusty. ALWAYS WEAR CERTIFIED SAFETY EQUIPMENT:

- ANSI Z87.1 eye protection (CAN/CSA Z94.3),
- ANSI S12.6 (S3.19) hearing protection,
- NIOSH/OSHA/MSHA respiratory protection.

▲WARNING: Always wear proper personal hearing protection that conforms to ANSI S12.6 (S3.19) during use. Under some conditions and duration of use, noise from this product may contribute to hearing loss.

▲WARNING: Some dust created by power sanding, sawing, grinding, drilling, and other construction activities contains chemicals known to the State of California to cause cancer, birth defects or other reproductive harm. Some examples of these chemicals are:

- lead from lead-based paints,
- crystalline silica from bricks and cement and other masonry products, and
- arsenic and chromium from chemically-treated lumber.

Your risk from these exposures varies, depending on how often you do this type of work. To reduce your exposure to these chemicals: work in a well ventilated area, and work with approved safety equipment, such as those dust masks that are specially designed to filter out microscopic particles.

- **Avoid prolonged contact with dust from power sanding, sawing, grinding, drilling and other construction activities. Wear protective clothing and wash exposed areas with soap and water.** Allowing dust to get into your mouth, eyes, or lay on the skin may promote absorption of harmful chemicals.

▲WARNING: Use of this tool can generate and/or disperse dust, which may cause serious and permanent respiratory or other injury. Always use NIOSH/OSHA approved respiratory protection appropriate for the dust exposure. Direct particles away from face and body.

▲CAUTION: Use extra care when working into a corner because a sudden, sharp movement of the polisher may be experienced when the wheel or other accessory contacts a secondary surface or a surface edge.

- The label on your tool may include the following symbols. The symbols and their definitions are as follows:

V.....volts	A.....amperes
Hz.....hertz	W.....watts
min.....minutes	~.....alternating current
==.....direct current	⎓.....alternating or direct current
⚠.....Class I Construction (grounded)	n ₀no-load speed
□.....Class II Construction (double insulated)	⊕.....earthing terminal
.../min.....per minute	▲.....safety alert symbol
	BPM.....beats per minute
	RPM.....revolutions per minute

SAVE THESE INSTRUCTIONS

Motor

Be sure your power supply agrees with the nameplate marking. Voltage decrease of more than 10% will cause loss of power and overheating. DEWALT tools are factory tested; if this tool does not operate, check power supply.

COMPONENTS (Fig. 1)

▲WARNING: Never modify the power tool or any part of it. Damage or personal injury could result.

A. Speed control wheel	G. Trigger locking button
B. Cushion tool rest (DWP849 only)	H. Bale handle
C. Variable speed trigger switch	I. Spindle
D. Brush inspection cap	J. Soft rubber gear case cover
E. Spindle lock button	K. Wool ingestion shield
F. Auxiliary handle	

INTENDED USE

The DWP849 and DWP849X heavy-duty polishers are designed for polishing painted or unfinished metal, fiberglass, and composite surfaces in professional applications. Common examples of use include but are not limited to: auto/marine/RV/motorcycle detailing and finish correction, boat construction and repair, and metal or concrete finishing.

Do not use in the presence of flammable liquids or gases. Do not let children come into contact with the tool. Supervision is required when inexperienced operators use this tool.

Auxiliary Handle (Fig. 1)

An auxiliary handle (F) is furnished with your tool and can be installed on either side of the gear case. This handle should be used at all times to maintain complete control of the tool.

A bale handle (H) is also provided with the DWP849X and can be used in place of the auxiliary handle.

Variable Speed Trigger Switch (Fig. 1)

These tools are equipped with a variable speed trigger switch that permits speed control from 0 to 3500 RPM. To turn the tool on, squeeze the trigger switch (C) shown in Figure 1 until the tool starts to run. The farther you depress the trigger, the faster it will operate. Releasing the trigger turns the tool off.

Use lower speeds for applying liquid waxes and polishes and higher speeds for removing dried liquid. Use the highest speed (fully depress trigger) for buffing the car to a final lustre.

The tool can be locked on for continuous use by squeezing the trigger switch fully and depressing the lock button (G) shown in Figure 1. Hold the lock button in as you gently release the trigger switch. The tool will continue to run. To turn the tool off from a locked-on position, squeeze and release the trigger switch once. Do not unplug the tool with the switch in the locked-on condition. Make sure the tool is not locked on when plugging in.

The variable speed trigger switch (C) has a no-volt release function. In the event of a power outage or other unexpected shut down, the trigger switch needs to be cycled (depress the trigger switch, release, then depress again) to restart the tool. Do not unplug the tool with the trigger switch in the locked-on condition. Make sure the tool is not locked on when plugging in. If the tool is plugged back in with the trigger switch in the locked-on position, the tool will not run until the trigger switch (C) is cycled as described above.

NOTE: The trigger switch can only be locked on with the tool running at the maximum RPM designated by the speed control wheel (A).

Speed Control Wheel (Fig. 1)

The maximum speed of your tool can be changed by rotating the speed control wheel (A) to the desired setting. The wheel incorporates detents to prevent inadvertent wheel movement and to facilitate speed selection. For added versatility, the trigger switch may be locked in its full on position and tool speed changed by means of the speed control wheel (A) alone.

The electronic speed control not only lets you select the speed to suit the job, but also helps to maintain that speed as you load the tool by pressing down. It's this feature, coupled with the variable speed trigger switch, that make this tool such a value.

The speed control wheel (A) can be set for any speed between 600 and 3500 RPM and the variable speed switch will then control tool speed from zero to the wheel setting. For example: A control wheel setting of 2200 RPM will allow the variable speed switch to operate the tool between zero and 2200 RPM, depending on how far the trigger switch is depressed. A wheel setting of 600 RPM would allow the switch to operate the tool from zero to 600 RPM.

The electronic speed control feature comes into play whenever the trigger switch is fully depressed and the tool is running at the selected speed determined by the setting of the control wheel. As you load the tool by pushing it down on the work surface, (with the trigger fully depressed) the electronic circuit inside the tool will compensate for the loading and maintain the selected speed. If the speed selected by the control wheel is 2200 RPM, as in the example above, the tool will maintain 2200 RPM, as it is loaded.

It is important to remember two things about electronic speed control:

1. The electronic speed control operates only when the trigger switch (C) is fully depressed.
2. The effect of electronic speed control is much easier to observe at lower speed settings (2600 RPM and below), than at high speeds. As the tool approaches 3000 RPM, the effect is considerably less dramatic.

Keep in mind that, with a conventional polisher running at a typical no-load speed of 2400 RPM, the tool slows down to about 2000 RPM under a polishing load. Your DWP849 or DWP849X will continue to run at 2400 RPM (or any speed you select with the control wheel) as a load is applied. Since it doesn't slow down, the speed may be greater than you're used to, so some extra caution should be observed until you get the "feel" of your polisher. If you feel the speed is too great, you can, of course, slow the tool down with either the trigger switch or the control wheel.

Spindle Lock Button (Fig. 1)

▲WARNING: To reduce the risk of serious personal injury, turn tool off and disconnect tool from power source before making any adjustments or removing/installing attachments or accessories. Before reconnecting the tool, depress and release the trigger switch to ensure that the tool is off.

In order to prevent the spindle of the tool from rotating while installing or removing accessories, a spindle lock button (E) has been provided in the gear head of the machine. To lock the spindle, depress and hold the lock button. NEVER DEPRESS THE SPINDLE LOCK BUTTON WITH THE TOOL RUNNING OR COASTING.

Wool Ingestion Shields (Fig. 1, 2)

The wool ingestion shields (K) are designed to reduce the amount of wool, dust, and debris that gets ingested by the motor during normal use. The goal of the ingestion shields is to improve durability as compared to a unit without the ingestion shields.

Each ingestion shield can be easily removed for cleaning by removing the mounting screw (L), followed by sliding the shield back towards the trigger end of the tool and then lifting it off.

The wool ingestion shields can be cleaned with soap and water and a soft bristle brush in the event they get clogged with polish and debris. Clean the shields as soon as you start to see buildup on the outside.

Your tool may come with a set of wool ingestion shields. The wool ingestion shields are available at extra cost from your local dealer or authorized service center.

Soft Rubber Gear Case Cover (Fig. 1)

The soft rubber gear case cover (J) is designed to eliminate metal gear case scuffs on painted or polished surfaces.

The soft rubber gear case cover can be removed if required. To take off the cover, remove the three mounting screws and lift the cover over the gear case.

Your tool may come with a soft rubber gear case cover. The soft rubber gear case cover is available at extra cost from your local dealer or authorized service center.

OPERATION

▲WARNING: To reduce the risk of serious personal injury, turn tool off and disconnect tool from power source before making any adjustments or removing/installing attachments or accessories. Before reconnecting the tool, depress and release the trigger switch to ensure that the tool is off.

Polishing pads with a diameter of 6", 7" or 9" (15.2, 17.8 or 22.9 cm) may be used with the DWP849 and DWP849X.

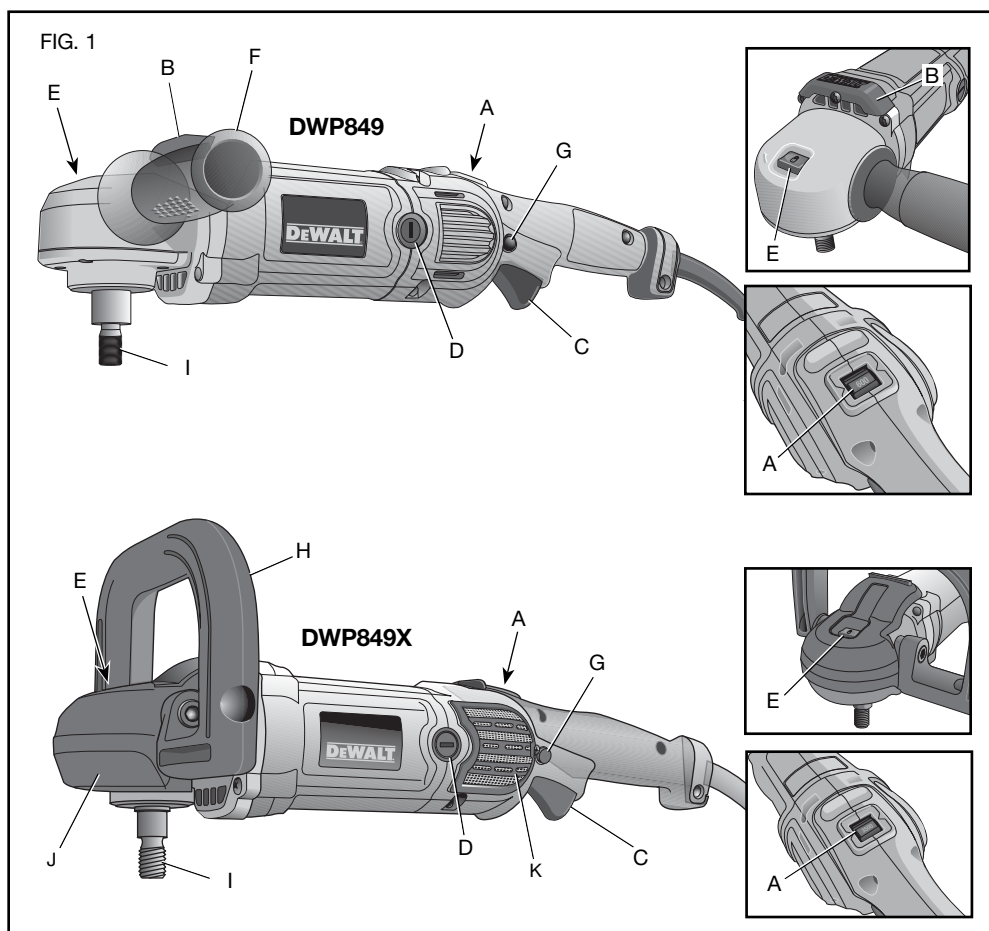


FIG. 2

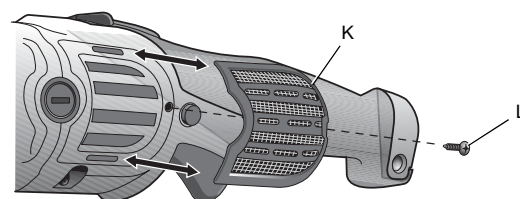


FIG. 3A

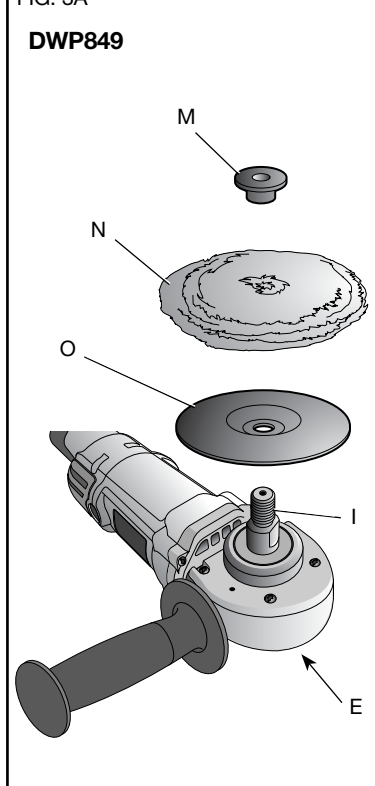


FIG. 3B

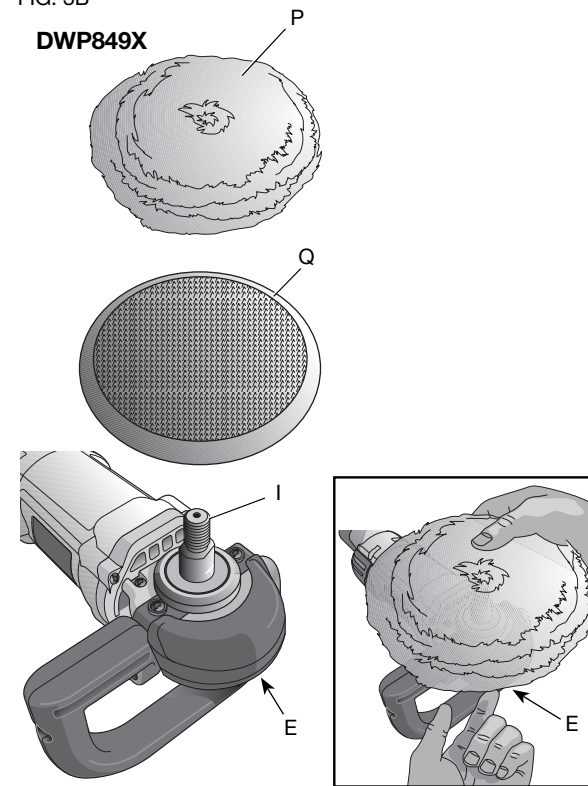
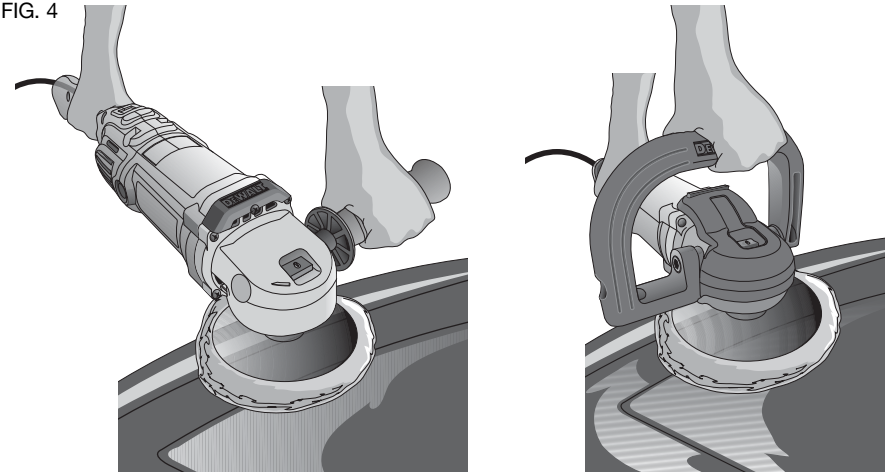


FIG. 4



Attaching and Removing Polishing Pads (Fig. 3)

▲WARNING: To reduce the risk of serious personal injury, do not allow any loose portion of the polishing bonnet or its attachment strings to spin freely. Tuck away or trim any loose attachment strings. Loose and spinning attachment strings can entangle your fingers or snag on the workpiece.

NOTE: Both the DWP849 and the DWP849X may use either type of polishing pad assembly described below.

TO ATTACH POLISHING PAD WITH RUBBER BACKING PAD (FIG. 3A)

1. To attach polishing pad (N), push the hub of the clamp washer (M) through the hole in the center of the polishing pad as far as it will go.
2. Engage the hexagonal hole in the backing pad (O). Holding the three pieces firmly together, place the assembly on the tool spindle (I).
3. Hold the spindle lock button (E) while turning the pads clockwise to thread them completely on the spindle.

TO ATTACH POLISHING PAD WITH HOOK AND LOOP BACKING PAD (FIG. 3B)

1. Attach hook and loop foam or wool pad (P) to hook and loop backing pad (Q), being careful to center the backing pad with the foam or wool pad.
2. Screw backing pad (Q) onto spindle (I), while depressing spindle lock button (E).

TO REMOVE PADS

Turn them by hand in the opposite direction from normal rotation to allow lock button to engage spindle, then unscrew pads in normal direction for right-hand thread.

Polishing (Fig. 4)

These instructions and suggestions are intended to familiarize new operators in overall general operation of power polishing. You will develop your own techniques which will make the job easier and faster as you learn power polishing.

- You should use utmost care when power polishing around or over sharp objects and contours of the car body. It is very important to use the correct pressure while polishing various sections of an automobile body. For example, light pressure should be applied when polishing over sharp edges of body panels, or over edges of the rain gutter along the top.
- Since everyone does not use the same type of power polish, we recommend you clean and polish a test section on a flat area of the car first. From this test section, you can judge the strength or cleaning action of your power polish.
- Remember, all power polish is not the same. Different brands will react differently on various painted surfaces. Also, you are now using a power polisher with power polish. This is entirely different from any hand application which you may have done before. Wash the car before power polishing it. Washing will remove loose dirt, scum, road salt, etc. which could act as an abrasive and damage paint. Loose dirt, etc. will also clog the polishing pad and you will have to clean it more often.
- Without turning the tool on, grasp the handles of the tool and pick it up (Fig. 4). Keep the tool away from your body and depress the trigger switch. Make sure you have a firm grip on the handles and operate the tool freely without forced effort or unnecessary pressure. The side handle can be easily changed to either side of the tool for left-handed or right-handed operation.

NOTE: The high speed rubbing action of the polishing bonnet upon the surface of an automobile can build a static charge on the metal portions of this tool. This can result in a sensation of a very short mild electric shock when the metal area of the tool is touched, and will be more noticeable

on days when the humidity is low. This is a harmless phenomenon but you are invited to bring the tool to a DEWALT service center where it can be checked to assure that no electrical malfunction is present.

MAINTENANCE

Your DEWALT power tool has been designed to operate over a long period of time with a minimum of maintenance. Continuous satisfactory operation depends upon proper tool care and regular cleaning.

⚠WARNING: To reduce the risk of serious personal injury, turn tool off and disconnect tool from power source before making any adjustments or removing/installing attachments or accessories. Before reconnecting the tool, depress and release the trigger switch to ensure that the tool is off.

Cleaning

⚠WARNING: Blow dirt and dust out of all air vents with dry air at least once a week. Wear proper ANSI Z87.1 (CAN/CSA Z94.3) eye protection and proper NIOSH/OSHA/MSHA respiratory protection when performing this.

⚠WARNING: Never use solvents or other harsh chemicals for cleaning the non-metallic parts of the tool. These chemicals may weaken the plastic materials used in these parts. Use a cloth dampened only with water and mild soap. Never let any liquid get inside the tool; never immerse any part of the tool into a liquid.

Lubrication

DEWALT tools are properly lubricated at the factory and are ready for use. Tools should be lubricated regularly every sixty days to six months, depending on usage. (Tools used constantly on production or heavy-duty jobs and tools exposed to heat may require more frequent lubrication.) This lubrication should only be attempted by trained power tool repairpersons such as those at DEWALT service centers or other authorized service locations.

Motor Brushes

Be sure tool is unplugged before inspecting brushes. Carbon brushes should be regularly inspected for wear. To inspect brushes, unscrew the plastic brush inspection caps (located in the sides of the motor housing) so the spring and brush assemblies may be withdrawn from the tool. Keep brushes clean and sliding freely in their guides. Carbon brushes have varying symbols stamped into them, and if the brushes are worn down to the line closest to the spring, they must be replaced.

Accessories

⚠WARNING: Since accessories, other than those offered by DEWALT, have not been tested with this product, use of such accessories with this tool could be hazardous. To reduce the risk of injury, only DEWALT recommended accessories should be used with this product.

Recommended accessories for use with your tool are available at extra cost from your local dealer or authorized service center. If you need assistance in locating any accessory, please contact DEWALT Industrial Tool Co., 701 East Joppa Road, Baltimore, MD 21286, call 1-800-4-DEWALT (1-800-433-9258) or visit our website: www.dewalt.com.

Use only accessories having a maximum operating speed at least as high as the highest "NO LOAD RPM" marked on the tool's nameplate. This precaution applies to any accessory on any tool.

- Rubber backing pads:** 7" (17.8 cm) Quick Change Super Flexible Rubber Backing Pad (includes clamp washer)
- 7" (17.8 cm) hook and loop backing pads**
- Soft rubber gear case cover**
- Wool ingestion shields**
- Auxiliary handle**
- Bale handle**

Repairs

To assure product SAFETY and RELIABILITY, repairs, maintenance and adjustments (including brush inspection and replacement) should be performed by a DEWALT factory service center, a DEWALT authorized service center or other qualified service personnel. Always use identical replacement parts.

Three Year Limited Warranty

DEWALT will repair, without charge, any defects due to faulty materials or workmanship for three years from the date of purchase. This warranty does not cover part failure due to normal wear or tool abuse. For further detail of warranty coverage and warranty repair information, visit www.dewalt.com or call 1-800-4-DEWALT (1-800-433-9258). This warranty does not apply to accessories or damage caused where repairs have been made or attempted by others. This warranty gives you specific legal rights and you may have other rights which vary in certain states or provinces.

In addition to the warranty, DEWALT tools are covered by our:

1 YEAR FREE SERVICE

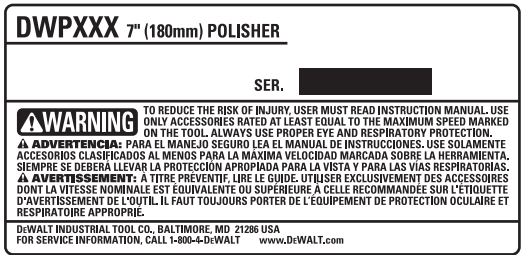
DEWALT will maintain the tool and replace worn parts caused by normal use, for free, any time during the first year after purchase.

90 DAY MONEY BACK GUARANTEE

If you are not completely satisfied with the performance of your DEWALT Power Tool, Laser, or Nailer for any reason, you can return it within 90 days from the date of purchase with a receipt for a full refund – no questions asked.

LATIN AMERICA: This warranty does not apply to products sold in Latin America. For products sold in Latin America, see country specific warranty information contained either in the packaging, call the local company or see website for warranty information.

FREE WARNING LABEL REPLACEMENT: If your warning labels become illegible or are missing, call 1-800-4-DEWALT (1-800-433-9258) for a free replacement.



Définitions : lignes directrices en matière de sécurité

Les définitions ci-dessous décrivent le niveau de gravité pour chaque symbole. Veuillez lire le mode d'emploi et porter une attention particulière à ces symboles.

⚠DANGER : indique une situation dangereuse imminente qui, si elle n'est pas évitée, causera la mort ou des blessures graves.

⚠AVERTISSEMENT : indique une situation potentiellement dangereuse qui, si elle n'est pas évitée, pourrait se solder par un décès ou des blessures graves.

⚠ATTENTION : indique une situation potentiellement dangereuse qui, si elle n'est pas évitée pourrait se solder par des blessures mineures ou modérées.

AVIS : indique une pratique ne posant aucun risque de dommages corporels mais qui par contre, si rien n'est fait pour l'éviter, pourrait poser des risques de dommages matériels.

POUR TOUT COMMENTAIRE OU QUESTION RELATIF À CET OUTIL OU TOUT AUTRE OUTIL DEWALT, COMPOSEZ GRATUITEMENT LE : **1-800-4-DEWALT (1-800-433-9258)**.

⚠AVERTISSEMENT : pour réduire tout risque de dommage corporel, lire le manuel de l'utilisateur.

Directives de sécurité relatives aux outils électriques en général

⚠AVERTISSEMENT : lire toutes les directives et consignes de sécurité. Tout manquement aux directives et consignes pose des risques de décharge électrique, d'incendie et/ou de blessure grave.

CONSERVER TOUTES CES DIRECTIVES ET CONSIGNES À TITRE DE RÉFÉRENCE

Le terme « outil électrique » dans ces directives se rapporte à votre outil électrique alimenté sur secteur (avec fil) ou par piles (sans fil).

1) SÉCURITÉ – AIRE DE TRAVAIL

- Maintenir l'aire de travail propre et bien éclairée.** Les lieux encombrés ou sombres sont propices aux accidents.
- Ne pas faire fonctionner un outil électrique dans une atmosphère explosive, en présence par exemple de poussières, gaz ou liquides inflammables.** Les outils électriques peuvent produire des étincelles qui pourraient enflammer toute émanation ou poussière ambiante.
- Tenir les enfants, ou toute autre personne, à l'écart pendant l'utilisation d'un outil électrique.** Toute distraction pourrait faire perdre la maîtrise de l'appareil.

2) SÉCURITÉ – ÉLECTRICITÉ

- La fiche électrique de l'outil doit correspondre à la prise murale. Ne jamais modifier la fiche en aucune façon. Ne jamais utiliser de fiche d'adaptation avec un outil électrique mis à la terre.** L'utilisation de fiches d'origine et de prises appropriées réduira les risques de choc électrique.
- Éviter tout contact corporel avec des éléments mis à la terre comme tuyaux, radiateurs, cuisinières ou réfrigérateurs.** Les risques de choc électrique augmentent lorsque le corps est mis à la terre.
- Ne pas exposer les outils électriques à la pluie ou à l'humidité.** Toute pénétration d'un outil électrique par un liquide augmente les risques de choc électrique.
- Ne pas utiliser le cordon de façon abusive. Ne jamais utiliser le cordon pour transporter, tirer ou débrancher un outil électrique. Protéger le cordon de la chaleur, de l'huile et de tout bord tranchant ou pièce mobile.** Les cordons endommagés ou emmêlés augmentent les risques de choc électrique.

e) **Lors de l'utilisation d'un outil électrique à l'extérieur, n'utiliser que des rallonges conçues pour l'extérieur.** L'utilisation d'une rallonge conçue pour l'extérieur réduit les risques de choc électrique.

f) **S'il est impossible d'éviter l'utilisation d'un outil électrique dans un endroit humide, brancher l'outil dans une prise ou sur un circuit d'alimentation dotés d'un disjoncteur de fuite à la terre (GFCI).** L'utilisation de ce type de disjoncteur réduit les risques de choc électrique.

3) SÉCURITÉ PERSONNELLE

- Rester constamment vigilant et faire preuve de jugement pendant l'utilisation d'un outil électrique. Ne pas utiliser d'outil électrique en cas de fatigue ou sous l'influence de drogues, d'alcool ou de médicaments.** Tout moment d'inattention pendant l'utilisation d'un outil électrique pose des risques de blessure grave.
- Utiliser un équipement de protection individuel. Porter systématiquement des lunettes de protection.** Le fait de porter un équipement de protection tel que masque antipoussières, chaussures antidérapantes, casque de sécurité ou protecteurs auditifs lorsque la situation le requiert, réduira les risques de dommages corporels.
- Prévenir tout démarrage accidentel. S'assurer que l'interrupteur est en position d'arrêt avant de brancher l'outil et/ou de le connecter à un bloc-piles, et avant de le saisir ou de le transporter.** Transporter un outil le doigt sur l'interrupteur, ou brancher un outil électrique alors que l'interrupteur est en position de marche, invite les accidents.
- Retirer toute clé de réglage avant de démarrer l'outil.** Une clé laissée sur une pièce rotative d'un outil électrique pose des risques de blessure.
- Ne pas effectuer de travaux hors de portée. Les pieds doivent rester bien ancrés au sol afin de maintenir son équilibre en tout temps.** Cela permet de mieux maîtriser l'outil électrique dans les situations imprévues.
- Porter des vêtements appropriés. Ne pas porter de vêtements amples ni de bijoux. Maintenir cheveux, vêtements et gants éloignés des pièces mobiles.** Vêtements amples, bijoux ou cheveux longs risquent de rester coincés dans ces pièces mobiles.
- Lorsqu'un dispositif de connexion à un système de dépoussiérage ou d'élimination est fourni, s'assurer qu'il est connecté et utilisé correctement.** L'utilisation d'aspirateurs peut réduire les risques engendrés par les poussières.

4) UTILISATION ET ENTRETIEN DES OUTILS ÉLECTRIQUES

- Ne pas forcer un outil électrique. Utiliser l'outil approprié au travail en cours.** L'outil approprié effectuera un meilleur travail, de façon plus sûre et à la vitesse pour laquelle il a été conçu.
- Ne pas utiliser un outil électrique dont l'interrupteur est défectueux.** Tout appareil dont l'interrupteur est défectueux est dangereux et doit être réparé.
- Débrancher la fiche du secteur et/ou le bloc-piles de l'outil électrique avant de faire tout réglage ou changement d'accessoire, ou avant de ranger ce dernier.** Ces mesures préventives réduisent les risques de démarrage accidentel de l'appareil.
- Après usage, ranger les outils électriques hors de la portée des enfants, et ne permettre à aucune personne n'étant pas familière avec un outil électrique (ou son manuel d'instruction) d'utiliser ce dernier.** Les outils peuvent être dangereux entre les mains des novices.
- Entretenir les outils électriques. Vérifier les pièces mobiles pour s'assurer qu'elles sont bien alignées et tournent librement, qu'elles sont en bon état et ne sont affectées d'aucune condition susceptible de nuire au bon fonctionnement de l'outil. En cas de dommage, faire réparer l'outil électrique avant toute nouvelle utilisation.** Bien des accidents sont causés par des outils mal entretenus.
- Maintenir toute lame aiguisée et propre.** Les outils de coupe bien entretenus et affûtés sont moins susceptibles de se coincer et sont plus faciles à contrôler.
- Utiliser un outil électrique, ses accessoires, mèches, etc., conformément aux présentes directives en tenant compte des conditions de travail et du travail à effectuer.** L'utilisation d'un outil électrique pour toute opération autre que celle pour laquelle il a été conçu est dangereuse.

5) SERVICE

- Faire entretenir les outils électriques par un réparateur qualifié en utilisant seulement des pièces de rechange identiques.** Cela permettra d'assurer l'intégrité de l'outil électrique et la sécurité de l'utilisateur.

Consignes de sécurité propres à toute utilisation

- Cet outil électrique a été conçu pour être utilisé comme polisseuse. Lire toutes les consignes de sécurité, les directives, les illustrations et les caractéristiques techniques fournies avec cet outil électrique.** Tout manquement aux directives suivantes pose des risques de chocs électriques, d'incendie et/ou de blessures graves.
 - Les opérations de ponçage, brossage métallique, meulage ou découpe ne sont pas recommandées avec cet outil électrique.** Toute utilisation de cet outil électrique dans un but autre que celui pour lequel il a été conçu est dangereuse et pose des risques de dommages corporels.
 - Ne pas utiliser des accessoires qui n'ont pas été spécialement conçus pour cet outil ou recommandés par son fabricant.** Le fait qu'un accessoire peut être connecté à l'outil ne veut pas automatiquement dire que son utilisation ne posera aucun risque.
 - La vitesse nominale des accessoires utilisés doit être équivalente ou supérieure à la vitesse maximale apposée sur l'outil.** Les accessoires utilisés à une vitesse plus rapide que leur vitesse nominale peuvent éclater ou se détacher de l'outil.
 - Le diamètre externe et l'épaisseur de l'accessoire utilisé doivent se conformer aux spécifications de la plaque signalétique de l'outil électrique.** Les accessoires aux spécifications incorrectes ne peuvent être ni maintenus ni contrôlés de façon adéquate.
 - L'alésage des meules, brides, tampons de soutien, ou de tout autre accessoire, doit correspondre parfaitement à la taille de la broche de l'outil.** Les accessoires dont l'alésage ne correspond pas au dispositif d'installation de l'outil électrique ne tourneront pas correctement, vibreront de façon excessive et pourront causer la perte de contrôle de l'outil.
 - Ne pas utiliser d'accessoire endommagé. Avant toute utilisation, vérifier que les accessoires, comme les meules abrasives, ne sont endommagés en aucune façon, que les tampons de soutien ne sont pas fendus, qu'il n'existe aucune fissure ou usure excessive, que les fils des brosses métalliques ne sont ni lâches ni endommagés. En cas de chute, vérifier que l'outil électrique ou l'accessoire n'a pas été endommagé, et remplacer toute pièce abîmée. Après avoir inspecté et installé un accessoire, se positionner, soi-même et tout individu présent, hors du plan de rotation de l'accessoire et laisser tourner l'outil une minute à sa vitesse à vide maximale.** En général, les accessoires endommagés se brisent pendant le temps d'essai.
 - Porter un équipement individuel de protection. Selon l'application, utiliser une protection faciale et des lunettes ou un masque de protection. Si approprié, porter un masque anti-poussières, une protection auditive, des gants et un tablier d'atelier capables de vous protéger contre toute projection abrasive ou tout fragment. La protection oculaire doit pouvoir arrêter toute projection de débris engendrés par des opérations diverses.** Le masque anti-poussières, ou l'appareil de protection des voies respiratoires, doit pouvoir filtrer les particules engendrées par l'opération en cours. Toute exposition prolongée à un haut niveau de décibels peut occasionner une perte de l'acuité auditive.
 - Maintenir à distance toute personne étrangère au travail en cours. Toute personne à l'intérieur de l'aire de travail doit porter un équipement individuel de protection.** Des débris provenant de la pièce à travailler ou d'un accessoire brisé pourraient être éjectés et causer des dommages corporels au-delà de l'aire de travail immédiate.
 - Tenir l'outil électrique par les surfaces isolées prévues à cet effet pendant toute utilisation où l'organe de coupe pourrait entrer en contact avec des fils électriques cachés ou son propre cordon.** Tout contact de l'organe de coupe avec un fil sous tension met les parties métalliques exposées de l'outil électrique sous tension et électrocute l'utilisateur.
 - Positionner le cordon hors du chemin de l'accessoire en rotation.** En cas de perte de contrôle de l'outil, le cordon pourrait être coupé ou arraché, et les mains ou bras pourraient entrer en contact avec l'accessoire en rotation.
 - Attendre systématiquement l'arrêt complet de l'accessoire avant de poser l'outil électrique.** L'accessoire en rotation pourrait s'accrocher à une surface et vous faire perdre le contrôle de l'outil électrique.
 - Ne pas laisser l'outil électrique tourner alors que vous le transportez à votre côté.** Tout contact accidentel de l'accessoire en rotation pourrait faire que ce dernier s'accroche aux vêtements et entre en contact avec le corps.
 - Nettoyer régulièrement les orifices d'aération de l'outil.** Le ventilateur du moteur attirera de la poussière à l'intérieur du boîtier et une accumulation excessive de poussières métalliques pose des risques d'électrocution.
 - Ne pas utiliser cet outil électrique à proximité de matériaux inflammables,** car des étincelles pourraient les enflammer.
 - Ne pas utiliser d'accessoires nécessitant l'utilisation de réfrigérants fluides.** L'utilisation d'eau ou de réfrigérants fluides pose des risques d'électrocution ou de chocs électriques.
- ### Consignes de sécurité additionnelles propres à toute utilisation
- #### REBONDS ET AVERTISSEMENTS AFFÉRENTS
- Les rebonds sont la conséquence du grippage ou coinçage d'une meule, d'un tampon de soutien, d'une brosse en rotation ou de tout autre accessoire. Tout grippage ou coinçage causera rapidement le blocage de l'accessoire en rotation, ce qui projettera l'outil électrique non contrôlé dans la direction opposée à l'accessoire en rotation au point du grippage.
- Par exemple, si une meule abrasive reste accrochée ou pincée dans une pièce à travailler, le bord de la meule engagée au point de grippage peut se décrocher dans la surface du matériau et faire sauter ou rebondir la meule. La meule peut alors rebondir en direction ou à l'opposé de l'utilisateur, selon le sens du mouvement de la meule au point de grippage. Dans ces conditions, il peut aussi arriver que les meules abrasives se brisent.
- Les rebonds proviennent d'une utilisation inadéquate de l'outil et/ou d'une procédure ou de conditions d'utilisation incorrectes, et peuvent être évités en prenant les précautions appropriées détaillées ci-après :
- Maintenir l'outil électrique fermement et positionner les bras et le corps de façon à pouvoir résister à toute force de rebonds. Utiliser systématiquement la poignée**

- Debe aplicar sumo cuidado cuando pule con una pulidora eléctrica alrededor de objetos y contornos afilados del chasis del automóvil. Es muy importante aplicar la presión adecuada mientras pule las diversas secciones del chasis del automóvil. Por ejemplo, se deberá aplicar presión leve cuando al pulir sobre bordes afilados de paneles del chasis, o sobre bordes en la canaleta junto a la parte superior.
- Ya que no todas las personas utilizan el mismo tipo de pulidora eléctrica, recomendamos que limpie y pula una sección de prueba en un área plana del automóvil primero. A partir de esta sección de prueba, podrá juzgar la concentración o acción limpiadora de su pulidora eléctrica.
- Recuerde, no todas las pulidoras eléctricas son iguales. Las diferentes marcas reaccionarán de manera diferente en distintas superficies pintadas. Así mismo, ahora utiliza una pulidora eléctrica con pulimento eléctrico. Es totalmente distinto de cualquier aplicación manual que haya realizado en el pasado. Lave el automóvil antes de pulirlo con una pulidora eléctrica. El lavado eliminará la suciedad, escoria, sal de carretera, etc. las cuales podrían actuar como un abrasivo y dañar la pintura. La suciedad suelta, etc. también obstruirá la almohadilla de pulido y deberá limpiarla con mayor frecuencia.
- Sin encender la herramienta, agarre las asas de la herramienta y recójala (Fig. 4). Mantenga la herramienta alejada de su cuerpo y oprima el interruptor de gatillo. Asegúrese de que tiene un firme control sobre las agarraderas y opere la herramienta libremente, sin ningún esfuerzo forzado o una presión innecesaria. La agarradera lateral se puede cambiar fácilmente a cualquier lado de la herramienta para la operación por parte de zurdos o diestros.

NOTA: la acción de frotación a alta velocidad de la capucha de pulido en la superficie de un automóvil podría acumular una carga estática en las partes metálicas de esta herramienta. Esto podría resultar en una sensación de una descarga eléctrica corta y leve cuando se toca el área metálica de la herramienta, y será mucho más perceptible en días cuando la humedad es baja. Este es un fenómeno inofensivo pero puede traer la herramienta a un centro de mantenimiento DEWALT donde puede ser examinada para asegurar que no se encuentra presente ninguna falla eléctrica de funcionamiento.

MANTENIMIENTO

⚠ADVERTENCIA: *Para reducir el riesgo de lesiones personales graves, apague la herramienta y desconéctela de la fuente de alimentación antes de realizar ajustes o de retirar/instalar cualquier dispositivo o accesorio. Antes de volver a conectar la herramienta, oprima y libere el interruptor de gatillo para asegurarse de que la herramienta esté apagada.*

Limpieza

⚠ADVERTENCIA: *Sople la suciedad y el polvo de todos los conductos de ventilación con aire seco al menos una vez por semana. Use la adecuada protección para los ojos ANSI Z87.1 (CAN/CSA Z94.3) y la adecuada protección respiratoria NIOSH/OSHA/MSHA cuando realice esta operación.*

⚠ADVERTENCIA: *nunca utilice disolventes u otros químicos abrasivos para limpiar las piezas no metálicas de la herramienta. Estos productos químicos pueden debilitar los materiales plásticos utilizados en estas piezas. Utilice un paño humedecido sólo con agua y jabón neutro. Nunca permita que penetre líquido dentro de la herramienta ni sumerja ninguna de las piezas en un líquido.*

Lubricación

Las herramientas DEWALT son lubricadas apropiadamente de fábrica y están listas para utilizar. Las herramientas deben volver a lubricarse regularmente cada 60 días a 6 meses, según el uso. (Herramientas utilizadas constantemente en producción o trabajos de servicio pesado así como herramientas expuestas al calor podrían requerir lubricación más frecuente). Sólo personal de reparación de herramientas eléctricas calificado tal como el personal de los centros de mantenimiento DEWALT u otros centros de mantenimiento autorizados deberán efectuar la lubricación.

Cepillos del motor

Cerciórese de que la herramienta está desconectada antes de revisar las escobillas. Las escobillas de carbón deben ser inspeccionadas regularmente en busca de desgaste. Para revisar las escobillas, desatornille las tapas de plástico para inspección de escobillas (ubicadas en los laterales de la carcasa del motor), de tal modo que los conjuntos de resorte y escobillas puedan ser retirados de la herramienta. Mantenga las escobillas limpias y pudiendo desplazarse libremente en sus guías. Las escobillas de carbón tienen diversos símbolos estampados sobre ellas, y si las escobillas se han desgastado hasta la línea más cercana al resorte deben ser cambiadas.

Accesorios

⚠ADVERTENCIA: *Debido a que no se han probado con este producto otros accesorios que no sean los que ofrece DEWALT, el uso de dichos accesorios podría ser peligroso. Para reducir el riesgo de lesiones, con este producto deben usarse sólo los accesorios DEWALT recomendados.*

Los accesorios que se recomiendan para utilizar con la herramienta están disponibles a un costo adicional en su distribuidor local o en un centro de mantenimiento autorizado. Si necesita ayuda para localizar algún accesorio, comuníquese con DEWALT Industrial Tool Co., 701 East Joppa Road, Baltimore, MD 21286, llame al 1-800-4-DEWALT (1-800-433-9258) o visite nuestro sitio web www.dewalt.com.

Únicamente utilice accesorios que tienen una velocidad de funcionamiento máxima por lo menos tan alta como las RPM sin carga “NO LOAD RPM” indicadas en la placa de características de la herramienta. Esta precaución se aplica a cualquier accesorio en cualquier herramienta.

- Almohadillas de respaldo de goma:** Almohadilla de respaldo de goma, súper flexible, de sustitución rápida, de 17,8 cm (7 pulg.) (incluye arandela de sujeción)
- Almohadillas de respaldo de velcro de 17,8 cm (7 pulg.)**
- Cubierta de la caja del engranaje de goma suave**
- Protectores contra ingestión de lana**
- Agarradera auxiliar**
- Agarradera en forma de asa**

Reparaciones

Para asegurar la SEGURIDAD y la CONFIABILIDAD del producto, las reparaciones, el mantenimiento y los ajustes (incluyendo revisión y cambio de los carbones) deben ser realizados por un centro de servicio de fábrica DEWALT, un centro de servicio autorizado DEWALT u otro personal de mantenimiento calificado. Utilice siempre piezas de repuesto idénticas.

 PARA REPARACIÓN Y SERVICIO DE SUS HERRAMIENTAS ELÉCTRICAS, FAVOR DE DIRIGIRSE AL CENTRO DE SERVICIO MÁS CERCANO	
CULIACAN, SIN Bvd.Emiliano Zapata 5400-1 Poniente Col. San Rafael	(667) 717 89 99
GUADALAJARA, JAL Av. La Paz #1779 - Col. Americana Sector Juárez	(33) 3825 6978
MEXICO, D.F. Eje Central Lázaro Cárdenas No. 18 Local D, Col. Obrera	(55) 5588 9377
MERIDA, YUC Calle 63 #459-A - Col. Centro	(999) 928 5038
MONTERREY, N.L. Av. Francisco I. Madero 831 Poniente - Col. Centro	(818) 375 23 13
PUEBLA, PUE 17 Norte #205 - Col. Centro	(222) 246 3714
QUERETARO, QRO Av. San Roque 274 - Col. San Gregorio	(442) 2 17 63 14
SAN LUIS POTOSI, SLP Av. Universidad 1525 - Col. San Luis	(444) 814 2383
TORREON, COAH Bldv. Independencia, 96 Pte. - Col. Centro	(871) 716 5265
VERACRUZ, VER Prolongación Díaz Mirón #4280 - Col. Remes	(229) 921 7016
VILLAHERMOSA, TAB Constitución 516-A - Col. Centro	(993) 312 5111
 PARA OTRAS LOCALIDADES: Si se encuentra en México, por favor llame al (55) 5326 7100 Si se encuentra en U.S., por favor llame al 1-800-433-9258 (1-800 4-DEWALT)	

Póliza de Garantía

IDENTIFICACIÓN DEL PRODUCTO:
Sello o firma del Distribuidor.
Nombre del producto: _____ Mod./Cat.: _____
Marca: _____ Núm. de serie: _____
(Datos para ser llenados por el distribuidor)
Fecha de compra y/o entrega del producto: _____
Nombre y domicilio del distribuidor donde se adquirió el producto: _____

Este producto está garantizado por un año a partir de la fecha de entrega, contra cualquier defecto en su funcionamiento, así como en materiales y mano de obra empleados para su fabricación. Nuestra garantía incluye la reparación o reposición del producto y/o componentes sin cargo alguno para el cliente, incluyendo mano de obra, así como los gastos de transportación razonablemente erogados derivados del cumplimiento de este certificado.

Para hacer efectiva esta garantía deberá presentar su herramienta y esta póliza sellada por el establecimiento comercial donde se adquirió el producto, de no contar con ésta, bastará la factura de compra.

EXCEPCIONES

Esta garantía no será válida en los siguientes casos:

- Cuando el producto se hubiese utilizado en condiciones distintas a las normales;
- Cuando el producto no hubiese sido operado de acuerdo con el instructivo de uso que se acompaña;
- Cuando el producto hubiese sido alterado o reparado por personas distintas a las enlistadas al final de este certificado.

Anexo encontrará una relación de sucursales de servicio de fábrica, centros de servicio autorizados y franquiciados en la República Mexicana, donde podrá hacer efectiva su garantía y adquirir partes, refacciones y accesorios originales.

Garantía limitada de tres años

DEWALT reparará sin cargo cualquier defecto ocasionado por materiales defectuosos o mano de obra, durante tres años a partir de la fecha de compra. Esta garantía no cubre fallas en las piezas que resulten del desgaste normal de la herramienta o de su utilización inadecuada. Para obtener información detallada sobre la cobertura de la garantía y sobre reparaciones, visite nuestra página Web www.dewalt.com o llame al 1-800-4-DEWALT (1-800-433-9258). Esta garantía no se extiende a los accesorios o a los daños causados por terceros al intentar realizar reparaciones. Esta garantía le concede derechos legales específicos; usted goza también de otros derechos que varían según el estado o provincia.

Además de la garantía, las herramientas DEWALT están cubiertas por nuestro:

SERVICIO GRATUITO DE 1 AÑO

DEWALT realizará el mantenimiento de la herramienta y reemplazará las piezas gastadas tras el uso normal, sin costo alguno, en cualquier momento durante el primer año después de la compra.

GARANTÍA DE REEMBOLSO DE DINERO DE 90 DÍAS


Si por alguna razón no estuviera plenamente satisfecho con el rendimiento de la herramienta eléctrica, el láser o la clavadora DEWALT, puede devolver el producto dentro de los 90 días siguientes a la fecha de compra acompañado del recibo de compra. De esta manera, se le reintegrará el importe total del producto sin formularle pregunta alguna.

AMÉRICA LATINA: Esta garantía no se aplica a los productos que se venden en América Latina. Para los productos que se venden en América Latina, debe consultar la información de la garantía específica del país que viene en el empaque, llamar a la compañía local o visitar el sitio Web a fin de obtener esa información.

REEMPLAZO GRATUITO DE LAS ETIQUETAS DE ADVERTENCIA: Si sus etiquetas de advertencia se tornan ilegibles o faltan, llame al 1-800-4-DEWALT (1-800-433-9258) para que se las reemplacen gratuitamente.

DWPXXX 7" (180mm) POLISHER
SER. XXXXXXXXXX
⚠WARNING TO REDUCE THE RISK OF INJURY, USER MUST READ INSTRUCTION MANUAL. USE ONLY ACCESSORIES RATED AT LEAST EQUAL TO THE MAXIMUM SPEED MARKED ON THE TOOL. ALWAYS USE PROPER EYE AND RESPIRATORY PROTECTION. ⚠ ADVERTENCIA: PARA EL MANEJO SEGURO LEA EL MANUAL DE INSTRUCCIONES. USE SOLAMENTE ACCESORIOS CLASIFICADOS AL MENOS PARA LA MÁXIMA VELOCIDAD MARCADA SOBRE LA HERRAMIENTA. SIEMPRE SE DEBERA LLEVAR LA PROTECCIÓN APROPIADA PARA LA VISTA Y PARA LAS VÍAS RESPIRATORIAS. ⚠ AVERTISSEMENT: A TITRE PREVENTIF, LIRE LE GUIDE, UTILISER EXCLUSIVEMENT DES ACCESSOIRES DONT LA VITESSE NOMINALE EST EQUIVALENTE OU SUPERIEURE A CELLE RECOMMANDEE SUR L'ETIQUETTE D'AVERTISSEMENT DE L'OUTIL. IL FAUT TOUJOURS PORTER DE L'EQUIPEMENT DE PROTECTION OCULAIRE ET RESPIRATOIRE APPROPRIE. <small>DEWALT INDUSTRIAL TOOL CO., BALTIMORE, MD 21286 USA FOR SERVICE INFORMATION, CALL 1-800-4-DEWALT www.DEWALT.com</small>

Especificaciones	DWP849/DWP849X
Tensión de alimentación:	120 V AC ~
Consumo de corriente:	12 A
Frecuencia de alimentación:	60 Hz
Potencia nominal:	1 250 W
Rotación sin carga:	0-600/0-3 500 RPM

SOLAMENTE PARA PROPÓSITO DE MÉXICO: IMPORTADO POR: DEWALT S.A. DE C.V. BOSQUES DE CIDROS, ACCESO RADIATAS NO.42 3A. SECCIÓN DE BOSQUES DE LAS LOMAS DELEGACIÓN CUAJIMALPA, 05120, MÉXICO, D.F. TEL. (52) 555-326-7100 R.F.C.: BDE810626-1W7	Para servicio y ventas consulte "HERRAMIENTAS ELECTRICAS" en la sección amarilla.
	

Free Manuals Download Website

<http://myh66.com>

<http://usermanuals.us>

<http://www.somanuals.com>

<http://www.4manuals.cc>

<http://www.manual-lib.com>

<http://www.404manual.com>

<http://www.luxmanual.com>

<http://aubethermostatmanual.com>

Golf course search by state

<http://golfingnear.com>

Email search by domain

<http://emailbydomain.com>

Auto manuals search

<http://auto.somanuals.com>

TV manuals search

<http://tv.somanuals.com>