

*If you have questions or comments, contact us.  
Pour toute question ou tout commentaire, nous contacter.  
Si tiene dudas o comentarios, contáctenos.*

**1-800-4-DEWALT • [www.dewalt.com](http://www.dewalt.com)**

**INSTRUCTION MANUAL  
GUIDE D'UTILISATION  
MANUAL DE INSTRUCCIONES**

INSTRUCTIVO DE OPERACIÓN, CENTROS DE SERVICIO Y  
PÓLIZA DE GARANTÍA. **ADVERTENCIA:** LÉASE ESTE INSTRUCTIVO  
ANTES DE USAR EL PRODUCTO.

**DEWALT®**

**D25980  
Heavy-Duty Pavement Breaker  
Brise-béton robuste  
Martillo rompedor para trabajos pesados**

### Definitions: Safety Guidelines

The definitions below describe the level of severity for each signal word. Please read the manual and pay attention to these symbols.

**⚠ DANGER:** Indicates an imminently hazardous situation which, if not avoided, **will** result in **death or serious injury**.

**⚠ WARNING:** Indicates a potentially hazardous situation which, if not avoided, **could** result in **death or serious injury**.

**⚠ CAUTION:** Indicates a potentially hazardous situation which, if not avoided, **may** result in **minor or moderate injury**.

**NOTICE:** Indicates a practice **not related to personal injury** which, if not avoided, **may** result in **property damage**.

IF YOU HAVE ANY QUESTIONS OR COMMENTS ABOUT THIS OR ANY DEWALT TOOL, CALL US TOLL FREE AT: **1-800-4-DEWALT (1-800-433-9258)**.



**WARNING:** To reduce the risk of injury, read the instruction manual.

### General Power Tool Safety Warnings



**WARNING!** Read all safety warnings and all instructions. Failure to follow the warnings and instructions may result in electric shock, fire and/or serious injury.

### SAVE ALL WARNINGS AND INSTRUCTIONS FOR FUTURE REFERENCE

The term "power tool" in the warnings refers to your mains-operated (corded) power tool or battery-operated (cordless) power tool.

#### 1) WORK AREA SAFETY

- Keep work area clean and well lit.** Cluttered or dark areas invite accidents.
- Do not operate power tools in explosive atmospheres, such as in the presence of flammable liquids, gases or dust.** Power tools create sparks which may ignite the dust or fumes.
- Keep children and bystanders away while operating a power tool.** Distractions can cause you to lose control.

#### 2) ELECTRICAL SAFETY

- Power tool plugs must match the outlet. Never modify the plug in any way. Do not use any adapter plugs with earthed (grounded) power tools.** Unmodified plugs and matching outlets will reduce risk of electric shock.
- Avoid body contact with earthed or grounded surfaces such as pipes, radiators, ranges and refrigerators.** There is an increased risk of electric shock if your body is earthed or grounded.
- Do not expose power tools to rain or wet conditions.** Water entering a power tool will increase the risk of electric shock.
- Do not abuse the cord. Never use the cord for carrying, pulling or unplugging the power tool. Keep cord away from heat, oil, sharp edges or moving parts.** Damaged or entangled cords increase the risk of electric shock.
- When operating a power tool outdoors, use an extension cord suitable for outdoor use.** Use of a cord suitable for outdoor use reduces the risk of electric shock.
- If operating a power tool in a damp location is unavoidable, use a ground fault circuit interrupter (GFCI) protected supply.** Use of a GFCI reduces the risk of electric shock.

#### 3) PERSONAL SAFETY

- Stay alert, watch what you are doing and use common sense when operating a power tool. Do not use a power tool while you are tired or under the influence of drugs, alcohol or medication.** A moment of inattention while operating power tools may result in serious personal injury.
- Use personal protective equipment. Always wear eye protection.** Protective equipment such as dust mask, non-skid safety shoes, hard hat, or hearing protection used for appropriate conditions will reduce personal injuries.
- Prevent unintentional starting. Ensure the switch is in the off position before connecting to power source and/or battery pack, picking up or carrying the tool.** Carrying power tools with your finger on the switch or energizing power tools that have the switch on invites accidents.
- Remove any adjusting key or wrench before turning the power tool on.** A wrench or a key left attached to a rotating part of the power tool may result in personal injury.
- Do not overreach. Keep proper footing and balance at all times.** This enables better control of the power tool in unexpected situations.
- Dress properly. Do not wear loose clothing or jewelry. Keep your hair, clothing and gloves away from moving parts.** Loose clothes, jewelry or long hair can be caught in moving parts.
- If devices are provided for the connection of dust extraction and collection facilities, ensure these are connected and properly used.** Use of dust collection can reduce dust-related hazards.

#### 4) POWER TOOL USE AND CARE

- Do not force the power tool. Use the correct power tool for your application.** The correct power tool will do the job better and safer at the rate for which it was designed.
- Do not use the power tool if the switch does not turn it on and off.** Any power tool that cannot be controlled with the switch is dangerous and must be repaired.
- Disconnect the plug from the power source and/or the battery pack from the power tool before making any adjustments, changing accessories, or storing power tools.** Such preventive safety measures reduce the risk of starting the power tool accidentally.
- Store idle power tools out of the reach of children and do not allow persons unfamiliar with the power tool or these instructions to operate the power tool.** Power tools are dangerous in the hands of untrained users.
- Maintain power tools. Check for misalignment or binding of moving parts, breakage of parts and any other condition that may affect the power tool's operation. If damaged, have the power tool repaired before use.** Many accidents are caused by poorly maintained power tools.
- Keep cutting tools sharp and clean.** Properly maintained cutting tools with sharp cutting edges are less likely to bind and are easier to control.
- Use the power tool, accessories and tool bits, etc. in accordance with these instructions, taking into account the working conditions and the work to be performed.** Use of the power tool for operations different from those intended could result in a hazardous situation.

#### 5) SERVICE

- Have your power tool serviced by a qualified repair person using only identical replacement parts.** This will ensure that the safety of the power tool is maintained.

### Additional Safety Instructions for Pavement Breakers

- Hold power tools by insulated gripping surfaces when performing an operation where the cutting tool may contact hidden wiring or its own cord.** Cutting accessory contacting a "live" wire may make exposed metal parts of the power tool "live" and could give the operator an electric shock.

- **Be certain that the material being worked does not conceal electric or gas service and that their locations have been verified with the utility companies.**
- **Wear ear protectors.** Exposure to noise can cause hearing loss.
- **Use auxiliary handles supplied with the tool.** Loss of control can cause personal injury.
- **Keep a firm grip on the tool at all times. Do not attempt to operate this tool without holding it with both hands.** Operating this tool with one hand will result in loss of control. Breaking through or encountering hard materials such as re-bar may be hazardous as well. Tighten the side handle securely before use.
- **Wear safety goggles or other eye protection.** Hammering operations cause chips to fly. Flying particles can cause permanent eye damage. Wear a dust mask or respirator for applications that generate dust. Ear protection may be required for most applications.
- **Do not operate this tool for long periods of time.** Vibration caused by hammer action may be harmful to your hands and arms. Use gloves to provide extra cushion and limit exposure by taking frequent rest periods.
- **Do not recondition bits yourself.** Chisel reconditioning should be done by an authorized specialist. Improperly reconditioned chisels could cause injury.
- **Wear gloves when operating tool or changing bits.** Accessible metal parts on the tool and bits may get extremely hot during operation. Small bits of broken material may damage bare hands.
- **Never lay the tool down until the bit has come to a complete stop.** Moving bits could cause injury.
- **Do not strike jammed bits with a hammer to dislodge them.** Fragments of metal or material chips could dislodge and cause injury.
- **Slightly worn chisels can be resharpened by grinding.**
- **Keep the power cord away from the bit. Do not wrap the cord around any part of your body.** An electric cord wrapped around a bit may cause electric shock.
- **Air vents often cover moving parts and should be avoided.** Loose clothes, jewelry or long hair can be caught in moving parts.
- **An extension cord must have adequate wire size (AWG or American Wire Gauge) for safety.** The smaller the gauge number of the wire, the greater the capacity of the cable, that is 16 gauge has more capacity than 18 gauge. An undersized cord will cause a drop in line voltage resulting in loss of power and overheating. When using more than one extension to make up the total length, be sure each individual extension contains at least the minimum wire size. The following table shows the correct size to use depending on cord length and nameplate ampere rating. If in doubt, use the next heavier gauge. The smaller the gauge number, the heavier the cord.

Minimum Gauge for Cord Sets						
Ampere Rating		Volts	Total Length of Cord in Feet (meters)			
		120V	25 (7.6)	50 (15.2)	100 (30.5)	150 (45.7)
		240V	50 (15.2)	100 (30.5)	200 (61.0)	300 (91.4)
More Than	Not More Than	AWG				
0	6		18	16	16	14
6	10		18	16	14	12
10	12		16	16	14	12
12	16		14	12	Not Recommended	

**⚠ WARNING: ALWAYS** use safety glasses. Everyday eyeglasses are NOT safety glasses. Also use face or dust mask if cutting operation is dusty. ALWAYS WEAR CERTIFIED SAFETY EQUIPMENT:

- ANSI Z87.1 eye protection (CAN/CSA Z94.3),
- ANSI S12.6 (S3.19) hearing protection,
- NIOSH/OSHA/MSHA respiratory protection.

**⚠ WARNING:** Some dust created by power sanding, sawing, grinding, drilling, and other construction activities contains chemicals known to the State of California to cause cancer, birth defects or other reproductive harm. Some examples of these chemicals are:

- lead from lead-based paints,
- crystalline silica from bricks and cement and other masonry products, and
- arsenic and chromium from chemically-treated lumber.

Your risk from these exposures varies, depending on how often you do this type of work. To reduce your exposure to these chemicals: work in a well ventilated area, and work with approved safety equipment, such as those dust masks that are specially designed to filter out microscopic particles.

- **Avoid prolonged contact with dust from power sanding, sawing, grinding, drilling, and other construction activities. Wear protective clothing and wash exposed areas with soap and water.** Allowing dust to get into your mouth, eyes, or lay on the skin may promote absorption of harmful chemicals.

**⚠ WARNING:** Use of this tool can generate and/or disperse dust, which may cause serious and permanent respiratory or other injury. Always use NIOSH/OSHA approved respiratory protection appropriate for the dust exposure. Direct particles away from face and body.

**⚠ WARNING: Always wear proper personal hearing protection that conforms to ANSI S12.6 (S3.19) during use.** Under some conditions and duration of use, noise from this product may contribute to hearing loss.

- The label on your tool may include the following symbols. The symbols and their definitions are as follows:

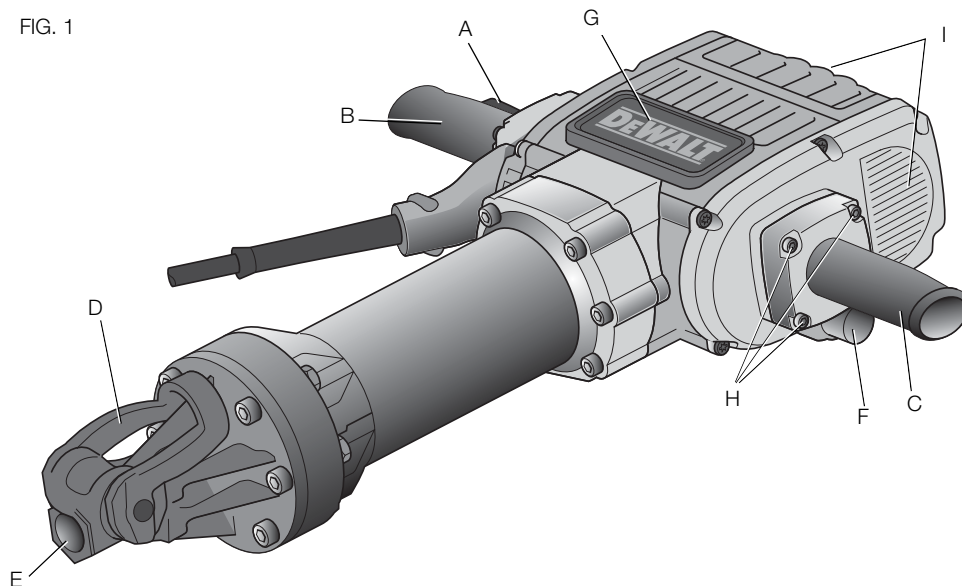
V.....volts	A..... amperes
Hz.....hertz	W..... watts
min .....minutes	~ or AC ..... alternating current
== or DC.....direct current	⎓ or AC/DC..... alternating or direct current
Ⓜ..... Class I Construction (grounded)	n <sub>o</sub> ..... no load speed
Ⓜ..... Class II Construction (double insulated)	n ..... rated speed
.../min .....per minute	⊕ ..... earthing terminal
IPM.....impacts per minute	⚠ ..... safety alert symbol
SPM.....strokes per minute	BPM.....beats per minute
	RPM.....revolutions per minute
	sfpm..... surface feet per minute

## SAVE THESE INSTRUCTIONS FOR FUTURE USE

### Motor

Be sure your power supply agrees with the nameplate marking. Voltage decrease of more than 10% will cause loss of power and overheating. DEWALT tools are factory tested; if this tool does not operate, check power supply.

FIG. 1



## COMPONENTS (FIG. 1)

**⚠ WARNING:** Never modify the power tool or any part of it. Damage or personal injury could result.

**NOTE:** Left and right describes the location of the part with the operator standing behind the pavement breaker with the front of the tool facing away.

- |                      |                             |
|----------------------|-----------------------------|
| A. ON/OFF switch     | F. Active vibration control |
| B. Right side handle | G. Front of tool            |
| C. Left side handle  | H. Hex head screws          |
| D. Bit retainer      | I. Air vents                |
| E. Bit holder        |                             |

## INTENDED USE

D25980 demolition hammer has been designed for professional heavy duty demolition, chipping and chasing applications in concrete, brick, stone and other masonry materials.

**DO NOT** use under wet conditions or in presence of flammable liquids or gases.

These demolition hammers are professional power tools. **DO NOT** let children come into contact with the tool. Supervision is required when inexperienced operators use this tool.

## ASSEMBLY AND ADJUSTMENTS

**⚠ WARNING:** To reduce the risk of injury, turn unit off and disconnect it from power source before installing and removing accessories, before adjusting or when making repairs. An accidental start-up can cause injury.

### Side Handle (Fig. 1)

**⚠ CAUTION:** ALWAYS operate the tool with the side handle properly assembled. Hold tool with both hands to maximize control.

Attach left side handle (C) with four hex head screws (H, supplied). Tighten with hex wrench supplied.

## FEATURES (FIG. 1)

### On/off Switch

The weight of the hand will active/deactivate the on/off switch. Firmly grasp pavement breaker while applying pressure with the right hand to turn the pavement breaker on. To turn the tool off, remove the right hand to relieve pressure from the switch.

### Soft Start

Holding tool by both handles depress the on/off switch (A). The Soft Start feature allows the impact rate to build up more slowly preventing the bit or point from bouncing around on the surface. To stop the pavement breaker pull up on hand to relieve pressure from the switch to turn the tool off.

### SHOCKS™ – Active Vibration Control

The active vibration control (F) helps absorb the vibration transmitted to the user. This improves user comfort and safety during operation.

Hold the tool firmly with one hand on the left side handle (C) and the other hand on the right side handle (B). Using the right hand apply weight to the on/off switch (A) to turn on. Apply only enough pressure to the work area to engage the active vibration control. Applying too much pressure will not make the pavement breaker chisel faster and the active vibration control will not engage.

## OPERATION

**⚠ WARNING:** To reduce the risk of injury, turn unit off and disconnect it from power source before installing and removing accessories, before adjusting or when making repairs. An accidental start-up can cause injury.

**⚠ CAUTION:** Always hold tool with both hands to maximize control. Allow the hammer to do the work. Excessive added force shortens the life of the hammer and the accessory.

### Bits (Fig. 2, 3)

**⚠ WARNING:** To reduce the risk of injury, turn unit off and disconnect it from power source before installing and removing accessories, before adjusting or when making repairs. An accidental start-up can cause injury.

**⚠ WARNING:** ALWAYS wear gloves when you change bits. Accessible metal parts on the tool and bits may get extremely hot during operation.

**⚠ WARNING:** To reduce the risk of injury, only DEWALT recommended accessories should be used with this product. A variety of bits are available from your local retailer.

**NOTE:** Insert bits with the front of tool (G) facing up.

### TO INSERT AIR STEEL BITS (RING-ONLY BIT)

1. Pull bit retainer (D) open as shown in Figure 2A.
2. Insert bit into bit holder (E) and close bit retainer onto bit as shown in Figure 2B.

### TO INSERT TOOL STEEL BITS (NOTCH-ONLY BIT)

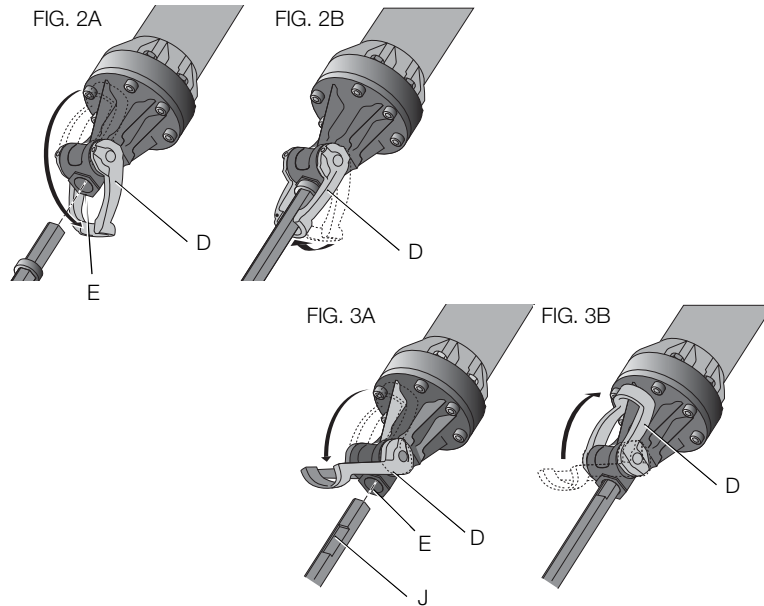
1. Pull bit retainer (D) open as shown in Figure 3A.
2. Insert bit with notch (J) facing up into bit holder (E).
3. Pull bit retainer up to lock into position as shown in Figure 3B.

Use either of the above methods to insert combination steel (notch and ring bit)

## To Operate

**NOTE:** Use sharp drill bits only.

1. Insert bit as described in **Bits**.
2. Standing behind the tool with both hands on the handles, depress the on/off switch to start the tool. Hold handles firmly to control tool.
3. Remove hand to relieve pressure from the on/off switch to turn the tool off.
4. Place hands under handles and lift up to move tool.



## MAINTENANCE

**⚠ WARNING:** To reduce the risk of injury, turn unit off and disconnect it from power source before installing and removing accessories, before adjusting or when making repairs. An accidental start-up can cause injury.

### Cleaning

**⚠ WARNING:** Blow dirt and dust out of all air vents with clean, dry air at least once a week. To minimize the risk of eye injury, always wear ANSI Z87.1 approved eye protection when performing this.

**⚠ WARNING:** Never use solvents or other harsh chemicals for cleaning the non-metallic parts of the tool. These chemicals may weaken the plastic materials used in these parts. Use a cloth dampened only with water and mild soap. Never let any liquid get inside the tool; never immerse any part of the tool into a liquid.

### Accessories

**⚠ WARNING:** Since accessories, other than those offered by DEWALT, have not been tested with this product, use of such accessories with this tool could be hazardous. To reduce the risk of injury, only DEWALT recommended accessories should be used with this product.

Recommended accessories for use with your tool are available at extra cost from your local dealer or authorized service center. If you need assistance in locating any accessory, please contact DEWALT Industrial Tool Co., 701 East Joppa Road, Baltimore, MD 21286, call 1-800-4-DEWALT (1-800-433-9258) or visit our website: [www.dewalt.com](http://www.dewalt.com).

### Repairs

To assure product SAFETY and RELIABILITY, repairs, maintenance and adjustment (including brush inspection and replacement) should be performed by a DEWALT factory service center, a DEWALT authorized service center or other qualified service personnel. Always use identical replacement parts.

### Register Online

Thank you for your purchase. Register your product now for:

- **WARRANTY SERVICE:** Registering your product will help you obtain more efficient warranty service in case there is a problem with your product.
- **CONFIRMATION OF OWNERSHIP:** In case of an insurance loss, such as fire, flood or theft, your registration of ownership will serve as your proof of purchase.
- **FOR YOUR SAFETY:** Registering your product will allow us to contact you in the unlikely event a safety notification is required under the Federal Consumer Safety Act.

Register online at [www.dewalt.com/register](http://www.dewalt.com/register).

### Three Year Limited Warranty

DEWALT will repair, without charge, any defects due to faulty materials or workmanship for three years from the date of purchase. This warranty does not cover part failure due to normal wear or tool abuse. For further detail of warranty coverage and warranty repair information, visit [www.dewalt.com](http://www.dewalt.com) or call 1-800-4-DEWALT (1-800-433-9258). This warranty does not apply to accessories or damage caused where repairs have been made or attempted by others. This warranty gives you specific legal rights and you may have other rights which vary in certain states or provinces.

In addition to the warranty, DEWALT tools are covered by our:

#### 1 YEAR FREE SERVICE

DEWALT will maintain the tool and replace worn parts caused by normal use, for free, any time during the first year after purchase.

#### 90 DAY MONEY BACK GUARANTEE

If you are not completely satisfied with the performance of your DEWALT Power Tool, Laser, or Nailer for any reason, you can return it within 90 days from the date of purchase with a receipt for a full refund – no questions asked.

**LATIN AMERICA:** This warranty does not apply to products sold in Latin America. For products sold in Latin America, see country specific warranty information contained in the packaging, call the local company or see website for warranty information.

**FREE WARNING LABEL REPLACEMENT:** If your warning labels become illegible or are missing, call 1-800-4-DEWALT (1-800-433-9258) for a free replacement.

<b>D25980 PAVEMENT BREAKER</b>	
SER. [REDACTED]	
<b>⚠ WARNING</b>	TO REDUCE THE RISK OF INJURY, USER MUST READ INSTRUCTION MANUAL. ALWAYS USE PROPER EYE, EAR AND RESPIRATORY PROTECTION. ALWAYS USE SIDE HANDLES.
<b>⚠ ADVERTENCIA</b>	LEA EL MANUAL DE INSTRUCCIONES PARA UN FUNCIONAMIENTO SEGURO. SIEMPRE UTILICE PROTECCIÓN ADECUADA PARA LOS OJOS, OÍDOS Y VÍAS RESPIRATORIAS. UTILICE SIEMPRE LAS MANIJAS LATERALES.
<b>⚠ AVERTISSEMENT</b>	À TITRE PRÉVENTIF, LIRE LE GUIDE. TOUJOURS UTILISER UNE PROTECTION OCULAIRE, AUDITIVE ET RESPIRATOIRE ADEQUATE. UTILISEZ TOUJOURS LES POIGNÉES LATÉRALES.
DEWALT INDUSTRIAL TOOL CO., BALTIMORE, MD 21286 USA FOR SERVICE INFORMATION, CALL 1-800-4-DEWALT <a href="http://www.Dewalt.com">www.Dewalt.com</a>	

#### SPECIFICATIONS

Voltage.....	120 V~
Current .....	15 A
Frequency.....	60 Hz
Power input .....	1800 W
Beats per minute .....	900
Tool holder .....	28 mm
Weight .....	31 kg

### Définitions : lignes directrices en matière de sécurité

Les définitions ci-dessous décrivent le niveau de danger pour chaque mot-indicateur employé. Lire le mode d'emploi et porter une attention particulière à ces symboles.

**⚠ DANGER** : indique une situation dangereuse imminente qui, si elle n'est pas évitée, **entraînera la mort ou des blessures graves**.

**⚠ AVERTISSEMENT** : indique une situation potentiellement dangereuse qui, si elle n'est pas évitée, **pourrait entraîner la mort ou des blessures graves**.

**⚠ ATTENTION** : indique une situation potentiellement dangereuse qui, si elle n'est pas évitée, **pourrait entraîner des blessures légères ou modérées**.

**AVIS** : indique une pratique ne posant **aucun risque de dommages corporels** mais qui par contre, si rien n'est fait pour l'éviter, **pourrait poser des risques de dommages matériels**.

POUR TOUTE QUESTION OU REMARQUE AU SUJET DE CET OUTIL OU DE TOUT AUTRE OUTIL DEWALT, COMPOSEZ LE NUMÉRO SANS FRAIS : **1-800-4-DEWALT (1-800-433-9258)**.



**AVERTISSEMENT** : afin de réduire le risque de blessures, lire le mode d'emploi de l'outil.

### Avertissements de sécurité généraux pour les outils électriques



**AVERTISSEMENT !** Lire tous les avertissements de sécurité et toutes les directives.

Le non-respect des avertissements et des directives pourrait se solder par un choc électrique, un incendie et/ou une blessure grave.

### CONSERVER TOUS LES AVERTISSEMENTS ET TOUTES LES DIRECTIVES POUR UN USAGE ULTÉRIEUR

Le terme « outil électrique » cité dans les avertissements se rapporte à votre outil électrique à alimentation sur secteur (avec fil) ou par piles (sans fil).

#### 1) SÉCURITÉ DU LIEU DE TRAVAIL

- Tenir l'aire de travail propre et bien éclairée.** Les lieux encombrés ou sombres sont propices aux accidents.
- Ne pas faire fonctionner d'outils électriques dans un milieu déflagrant, tel qu'en présence de liquides, de gaz ou de poussières inflammables.** Les outils électriques produisent des étincelles qui pourraient enflammer la poussière ou les vapeurs.
- Éloigner les enfants et les personnes à proximité pendant l'utilisation d'un outil électrique.** Une distraction pourrait en faire perdre la maîtrise à l'utilisateur.

#### 2) SÉCURITÉ EN MATIÈRE D'ÉLECTRICITÉ

- Les fiches des outils électriques doivent correspondre à la prise. Ne jamais modifier la fiche d'aucune façon. Ne jamais utiliser de fiche d'adaptation avec un outil électrique mis à la terre.** Le risque de choc électrique sera réduit par l'utilisation de fiches non modifiées correspondant à la prise.
- Éviter tout contact physique avec des surfaces mises à la terre comme des tuyaux, des radiateurs, des cuisinières et des réfrigérateurs.** Le risque de choc électrique est plus élevé si votre corps est mis à la terre.
- Ne pas exposer les outils électriques à la pluie ou à l'humidité.** La pénétration de l'eau dans un outil électrique augmente le risque de choc électrique.

- Ne pas utiliser le cordon de façon abusive. Ne jamais utiliser le cordon pour transporter, tirer ou débrancher un outil électrique. Tenir le cordon éloigné de la chaleur, de l'huile, des bords tranchants et des pièces mobiles.** Les cordons endommagés ou enchevêtrés augmentent les risques de choc électrique.
- Pour l'utilisation d'un outil électrique à l'extérieur, se servir d'une rallonge convenant à cette application.** L'utilisation d'une rallonge conçue pour l'extérieur réduira les risques de choc électrique.
- S'il est impossible d'éviter l'utilisation d'un outil électrique dans un endroit humide, brancher l'outil dans une prise ou sur un circuit d'alimentation dotés d'un disjoncteur de fuite à la terre (GFCI).** L'utilisation de ce type de disjoncteur réduit les risques de choc électrique.

#### 3) SÉCURITÉ PERSONNELLE

- Être vigilant, surveiller le travail effectué et faire preuve de jugement lorsqu'un outil électrique est utilisé. Ne pas utiliser d'outil électrique en cas de fatigue ou sous l'influence de drogues, d'alcool ou de médicaments.** Un simple moment d'inattention en utilisant un outil électrique peut entraîner des blessures corporelles graves.
- Utiliser des équipements de protection individuelle. Toujours porter une protection oculaire.** L'utilisation d'équipements de protection comme un masque antipoussière, des chaussures antidérapantes, un casque de sécurité ou des protecteurs auditifs lorsque la situation le requiert réduira les risques de blessures corporelles.
- Empêcher les démarrages intempestifs. S'assurer que l'interrupteur se trouve à la position d'arrêt avant de relier l'outil à une source d'alimentation et/ou d'insérer un bloc-piles, de ramasser ou de transporter l'outil.** Transporter un outil électrique alors que le doigt repose sur l'interrupteur ou brancher un outil électrique dont l'interrupteur est à la position de marche risque de provoquer un accident.
- Retirer toute clé de réglage ou clé avant de démarrer l'outil.** Une clé ou une clé de réglage attachée à une partie pivotante de l'outil électrique peut provoquer des blessures corporelles.
- Ne pas trop tendre les bras. Conserver son équilibre en tout temps.** Cela permet de mieux maîtriser l'outil électrique dans les situations imprévues.
- S'habiller de manière appropriée. Ne pas porter de vêtements amples ni de bijoux. Garder les cheveux, les vêtements et les gants à l'écart des pièces mobiles.** Les vêtements amples, les bijoux ou les cheveux longs risquent de rester coincés dans les pièces mobiles.
- Si des composants sont fournis pour le raccordement de dispositifs de dépoussiérage et de ramassage, s'assurer que ceux-ci sont bien raccordés et utilisés.** L'utilisation d'un dispositif de dépoussiérage peut réduire les dangers engendrés par les poussières.

#### 4) UTILISATION ET ENTRETIEN D'UN OUTIL ÉLECTRIQUE

- Ne pas forcer un outil électrique. Utiliser l'outil électrique approprié à l'application.** L'outil électrique approprié effectuera un meilleur travail, de façon plus sûre et à la vitesse pour laquelle il a été conçu.
- Ne pas utiliser un outil électrique dont l'interrupteur est défectueux.** Tout outil électrique dont l'interrupteur est défectueux est dangereux et doit être réparé.
- Débrancher la fiche de la source d'alimentation et/ou du bloc-piles de l'outil électrique avant de faire tout réglage ou changement d'accessoire ou avant de ranger l'outil.** Ces mesures préventives réduisent les risques de démarrage accidentel de l'outil électrique.
- Ranger les outils électriques hors de la portée des enfants et ne permettre à aucune personne n'étant pas familière avec un outil électrique ou son mode d'emploi d'utiliser cet outil.** Les outils électriques deviennent dangereux entre les mains d'utilisateurs inexpérimentés.
- Entretien des outils électriques. Vérifier si les pièces mobiles sont mal alignées ou coincées, si des pièces sont brisées ou présentent toute autre condition susceptible**

de nuire au bon fonctionnement de l'outil électrique. En cas de dommage, faire réparer l'outil électrique avant toute nouvelle utilisation. Beaucoup d'accidents sont causés par des outils électriques mal entretenus.

- f) **S'assurer que les outils de coupe sont aiguisés et propres.** Les outils de coupe bien entretenus et affûtés sont moins susceptibles de se coincer et sont plus faciles à maîtriser.
- g) **Utiliser l'outil électrique, les accessoires, les forets, etc. conformément aux présentes directives en tenant compte des conditions de travail et du travail à effectuer.** L'utilisation d'un outil électrique pour toute opération autre que celle pour laquelle il a été conçu est dangereuse.

**5) RÉPARATION**

- a) **Faire réparer l'outil électrique par un réparateur professionnel en n'utilisant que des pièces de rechange identiques.** Cela permettra de maintenir une utilisation sécuritaire de l'outil électrique.

**Autres directives de sécurité pour le brise-béton**

- **Tenir l'outil par les surfaces isolées prévues à cet effet pendant toute utilisation où l'organe de coupe pourrait entrer en contact avec des fils électriques cachés ou son propre cordon. Tout contact de l'organe de coupe avec un fil sous tension mettra les parties métalliques exposées de l'outil électrique sous tension et électrocutera l'utilisateur.**
- **S'assurer que le matériau, sur lequel les travaux seront exécutés, ne cache pas de conduite électrique ou de gaz et que leur emplacement a été vérifié avec les entreprises de services publics.**
- **Porter des protecteurs d'oreilles.** Une exposition au bruit peut entraîner une perte auditive.
- **Utiliser les poignées auxiliaires fournies avec l'outil.** Une perte de maîtrise de l'outil peut entraîner des blessures corporelles.
- **Tenir fermement l'outil en tout temps. Ne pas utiliser l'outil sans le tenir des deux mains.** Faire fonctionner cet outil d'une seule main risque de provoquer la perte de maîtrise de l'outil. Il peut aussi être dangereux de percer ou de tomber sur des matériaux durs comme une barre d'armature. Bien serrer la poignée latérale avant d'utiliser l'outil.
- **Porter des lunettes de sécurité ou une autre protection oculaire.** Les opérations de percussion peuvent projeter les copeaux. Les particules projetées peuvent endommager les yeux irréversiblement. Porter un masque antipoussières ou un appareil respiratoire. La plupart des applications peuvent demander l'utilisation d'un dispositif de protection des oreilles.
- **Ne pas faire fonctionner cet outil durant de longues périodes.** Les vibrations causées par la percussion du marteau peuvent être nuisibles pour vos mains et vos bras. Utiliser des gants pour amortir davantage les vibrations et limiter l'exposition à l'outil par de fréquentes périodes de repos.
- **Ne pas remettre à neuf les mèches vous-même.** La remise à neuf du burin doit être réalisée par un spécialiste autorisé. Les burins mal remis à neuf peuvent causer des blessures.
- **Porter des gants pour utiliser l'outil ou pour changer les mèches.** Les pièces métalliques accessibles de l'outil et les mèches peuvent devenir extrêmement chaudes durant le fonctionnement de l'outil. De petits morceaux de matériau qui se détachent peuvent endommager les mains nues.
- **Ne jamais déposer l'outil tant que la mèche ne s'est pas complètement arrêtée.** Les mèches mobiles peuvent provoquer des blessures.
- **Ne pas frapper sur les mèches coincées avec un marteau pour les déloger.** Des fragments de métal ou des copeaux de matériau peuvent se déloger et causer des blessures.
- **Les burins légèrement usés peuvent être réaffûtés par le meulage.**
- **Tenir le cordon d'alimentation loin de la mèche. Ne pas enrouler le cordon autour de toute partie du corps.** Un cordon d'alimentation enroulé autour d'une mèche risque de provoquer un choc électrique.

- **Prendre des précautions à proximité des événements, car ils cachent des pièces mobiles.** Vêtements amples, bijoux ou cheveux longs risquent de rester coincés dans ces pièces mobiles.
- **Pour la sécurité de l'utilisateur, utiliser une rallonge de calibre adéquat (AWG, American Wire Gauge [calibrage américain normalisé des fils électriques]).** Plus le calibre est petit, et plus sa capacité est grande. Un calibre 16, par exemple, a une capacité supérieure à un calibre 18. L'usage d'une rallonge de calibre insuffisant causera une chute de tension qui entraînera perte de puissance et surchauffe. Si plus d'une rallonge est utilisée pour obtenir une certaine longueur, s'assurer que chaque rallonge présente au moins le calibre de fil minimum. Le tableau ci-dessous illustre les calibres à utiliser selon la longueur de rallonge et l'intensité nominale indiquée sur la plaque signalétique. En cas de doute, utiliser le calibre suivant. Plus le calibre est petit, plus la rallonge peut supporter de courant.

Calibres minimaux des rallonges						
Intensité (en ampères)		volts	Longueur totale de cordon en mètres (pieds)			
		120 V	7,6 (25)	15,2 (50)	30,5 (100)	45,7 (150)
		240 V	15,2 (50)	30,5 (100)	61,0 (200)	91,4 (300)
Supérieur à	Inférieur à	AWG				
0	6		18	16	16	14
6	10		18	16	14	12
10	12		16	16	14	12
12	16		14	12	Non recommandé	

**⚠️ AVERTISSEMENT :** porter **SYSTEMATIQUEMENT** des lunettes de protection. Les lunettes courantes NE sont PAS des lunettes de protection. Utiliser aussi un masque antipoussières si la découpe doit en produire beaucoup. **PORTER SYSTEMATIQUEMENT UN EQUIPEMENT DE SÉCURITÉ HOMOLOGUÉ :**

- Protection oculaire ANSI Z87.1 (CAN/CSA Z94.3) ;
- Protection auditive ANSI S12.6 (S3.19) ;
- Protection des voies respiratoires NIOSH/OSHA/MSHA.

**⚠️ AVERTISSEMENT :** les scies, meules, ponceuses, perceuses ou autres outils de construction peuvent produire des poussières contenant des produits chimiques reconnus par l'État californien pour causer cancers, malformations congénitales ou être nocifs au système reproducteur. Parmi ces produits chimiques, on retrouve :

- Le plomb dans les peintures à base de plomb ;
- La silice cristallisée dans les briques et le ciment, ou autres produits de maçonnerie ; et
- L'arsenic et le chrome dans le bois ayant subi un traitement chimique.

Le risque associé à de telles expositions varie selon la fréquence à laquelle on effectue ces travaux. Pour réduire toute exposition à ces produits : travailler dans un endroit bien aéré, en utilisant du matériel de sécurité homologué, tel un masque antipoussières spécialement conçu pour filtrer les particules microscopiques.

- **Limiter toute exposition prolongée avec les poussières provenant du ponçage, sciage, meulage, perçage ou toute autre activité de construction. Porter des vêtements de protection et nettoyer à l'eau savonneuse les parties du corps exposées.** Le fait de laisser la poussière pénétrer dans la bouche, les yeux ou la peau peut favoriser l'absorption de produits chimiques dangereux.

**⚠️ AVERTISSEMENT :** cet outil peut produire et/ou répandre de la poussière susceptible de causer des dommages sérieux et permanents au système respiratoire. Utiliser systématiquement un appareil de protection des voies respiratoires homologué par le NIOSH ou l'OSHA. Diriger les particules dans le sens opposé au visage et au corps.

**⚠️ AVERTISSEMENT :** pendant l'utilisation, porter systématiquement une protection auditive individuelle adéquate homologuée ANSI S12.6 (S3.19). Sous certaines conditions et suivant la durée d'utilisation, le bruit émanant de ce produit pourrait contribuer à une perte de l'acuité auditive.

- L'étiquette apposée sur votre outil peut inclure les symboles suivants. Les symboles et leur définition sont indiqués ci-après :
 

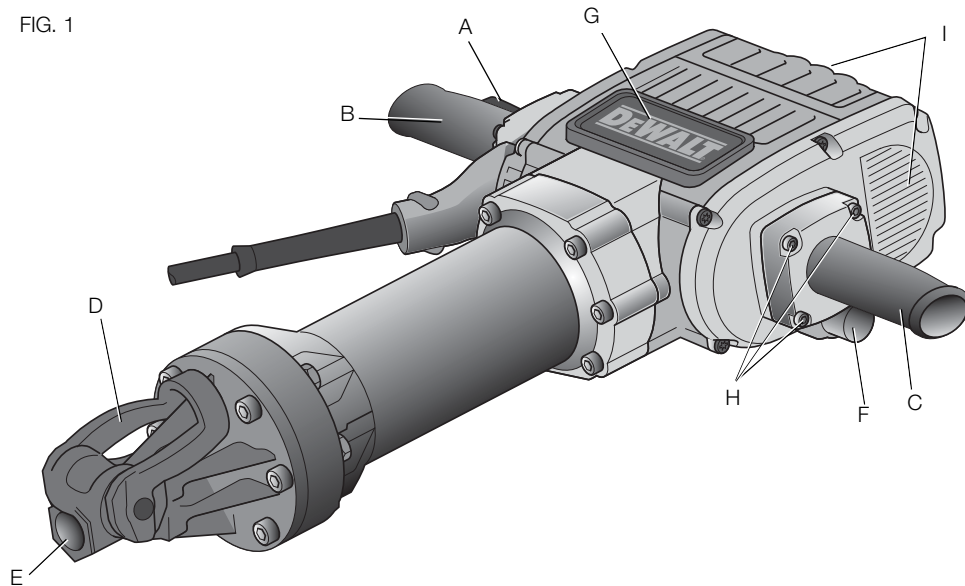
V..... volts Hz.....hertz min .....minutes — ou DC.... courant continu Ⓛ.....classe I fabrication (mis à la terre) □..... fabrication classe II (double isolation) .../min ..... par minute IPM..... impacts par minute sfpm .....pieds linéaires par minute (plpm) SPM (FPM).... fréquence par minute	A..... ampères W..... watts ~ ou AC..... courant alternatif ≈ ou AC/DC... courant alternatif ou continu n <sub>0</sub> ..... vitesse à vide n..... vitesse nominale ⊕ ..... borne de terre ⚠..... symbole d'avertissement BPM..... battements par minute r/min ..... tours par minute
---	---

### CONSERVER CES CONSIGNES POUR UTILISATION ULTÉRIEURE

#### Moteur

S'assurer que le bloc d'alimentation est compatible avec l'inscription de la plaque signalétique. Une diminution de tension de plus de 10 % provoquera une perte de puissance et une surchauffe. Les outils DEWALT sont testés en usine ; si cet outil ne fonctionne pas, vérifier l'alimentation électrique.

FIG. 1



#### COMPOSANTS (FIG. 1)

**⚠AVERTISSEMENT :** ne jamais modifier l'outil électrique ni aucun de ses composants, car il y a risques de dommages corporels ou matériels.

**REMARQUE :** toutes les indications qui font référence à la droite ou la gauche correspondent au point de vue de l'opérateur qui est debout, derrière le brise-béton. L'avant de l'outil est à l'opposé de l'opérateur.

- |                                      |                                    |
|--------------------------------------|------------------------------------|
| A. Interrupteur marche/arrêt         | F. Correcteur antivibrations actif |
| B. Poignée droite                    | G. Avant de l'outil                |
| C. Poignée gauche                    | H. Vis à tête hexagonale           |
| D. Dispositif de retenue de l'embout | I. Événements                      |
| E. Porte-embout                      |                                    |

#### USAGE PRÉVU

Les marteaux de démolition D25980 ont été conçus pour des applications professionnelles industrielles de démolition, burinage et ciselage du béton, de la brique, la pierre et autres matériaux de maçonnerie.

**NE PAS** les utiliser en milieu ambiant humide ou en présence de liquides ou de gaz inflammables. Ces marteaux de démolition sont des outils de professionnels. **NE PAS** le laisser à la portée des enfants. Une supervision est nécessaire auprès de tout utilisateur non expérimenté.

#### ASSEMBLAGE ET AJUSTEMENTS

**⚠AVERTISSEMENT :** pour réduire le risque de blessures, éteindre l'appareil et le débrancher avant d'installer ou de retirer tout accessoire et avant d'effectuer des réglages ou des réparations. Un démarrage accidentel peut provoquer des blessures.

#### Poignée latérale (Fig. 1)

**⚠ATTENTION :** TOUJOURS utiliser l'outil avec la poignée latérale bien assemblée. Tenir l'outil des deux mains pour obtenir une plus grande maîtrise de l'outil.

Fixer la poignée gauche (C) à l'aide de quatre vis à tête hexagonale (H, fournies). Les serrer avec la clé hexagonale fournie.

#### CARACTÉRISTIQUES (FIG. 1)

##### Interrupteur marche/arrêt

Le poids de la main activera/désactivera l'interrupteur marche/arrêt. Saisir fermement le brise-béton tout en exerçant une pression de la main droite pour allumer le brise-béton. Pour éteindre l'outil, retirer la main droite pour enlever la pression exercée sur l'interrupteur.

##### Démarrage souple

En tenant l'outil des deux mains, enfoncer l'interrupteur marche/arrêt (A). La fonction de démarrage souple permet une augmentation plus lente de la vitesse de percussion, ce qui évite au trépan ou à la pointe de rebondir sur la surface. Pour arrêter le brise-béton, soulever la main pour libérer la pression exercée sur l'interrupteur et éteindre l'outil.

##### SHOCKS™ - dispositif antivibrations actif

Le dispositif antivibrations actif (F) permet d'absorber les vibrations transmises à l'utilisateur. Ainsi, le confort et la sécurité de l'utilisateur sont accrus durant le fonctionnement de l'outil.

Tenir fermement l'outil, une main étant sur la poignée gauche (C) et l'autre main, sur la poignée droite (B). À l'aide de la main droite, enfoncer l'interrupteur marche/arrêt (A) pour allumer l'outil. Exercer uniquement la pression nécessaire à la zone des travaux pour engager le dispositif antivibrations actif. Trop de pression n'accélèrera pas le trépan ordinaire du brise-béton, et le dispositif antivibrations actif ne s'engagera pas.



## UTILISATION

**⚠️ AVERTISSEMENT :** pour réduire le risque de blessures, éteindre l'appareil et le débrancher avant d'installer ou de retirer tout accessoire et avant d'effectuer des réglages ou des réparations. Un démarrage accidentel peut provoquer des blessures.

**⚠️ ATTENTION :** tenir l'outil des deux mains pour obtenir une plus grande maîtrise de l'outil. Laisser le marteau faire le travail. Toute force excessive réduit la durée de vie du marteau et de l'accessoire.

### Trépan (Fig. 2, 3)

**⚠️ AVERTISSEMENT :** pour réduire le risque de blessures, éteindre l'appareil et le débrancher avant d'installer ou de retirer tout accessoire et avant d'effectuer des réglages ou des réparations. Un démarrage accidentel peut provoquer des blessures.

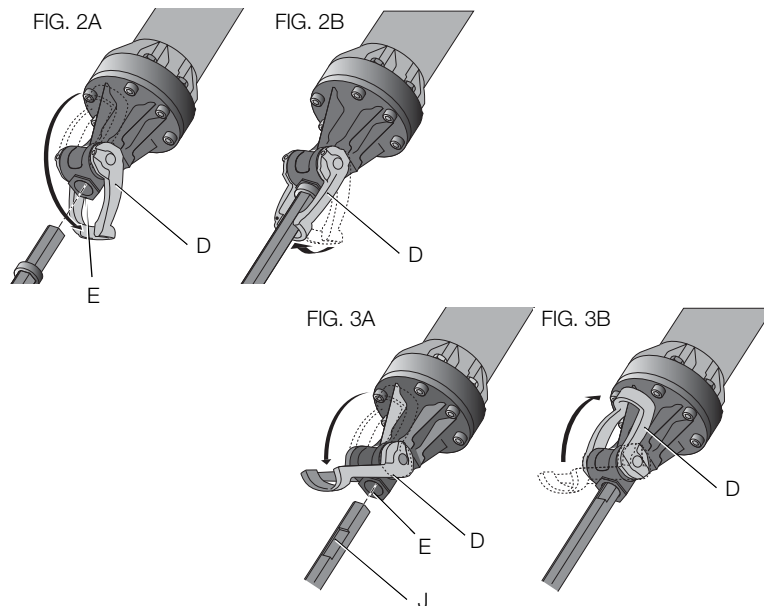
**⚠️ AVERTISSEMENT :** TOUJOURS porter des gants pour changer les trépan. Les pièces métalliques accessibles de l'outil et les trépan peuvent devenir extrêmement chauds durant le fonctionnement de l'outil.

**⚠️ AVERTISSEMENT :** pour réduire le risque de blessures, utiliser exclusivement les accessoires DEWALT recommandés avec le présent produit. Divers trépan sont offerts chez votre détaillant local.

**REMARQUE :** insérer les trépan alors que le devant de l'outil (G) est redressé.

### POUR INSÉRER DES TRÉPANS MÉTALLIQUES PNEUMATIQUES (TRÉPAN À ANNEAU SEULEMENT)

1. Retirer le dispositif de retenue du trépan (D) comme il est indiqué à la figure 2A.
2. Insérer le trépan dans le porte-mèche (E), puis fermer le dispositif de retenue sur le trépan comme le montre la figure 2B.



### POUR INSÉRER DES TRÉPANS MÉTALLIQUES (TRÉPAN À ENCOCHE SEULEMENT)

1. Retirer le dispositif de retenue du trépan (D) comme le montre la figure 3A.
2. Insérer le trépan de manière à ce que l'encoche (J) soit vers le haut, dans le porte-mèche (E).
3. Relever le dispositif de retenue du trépan pour le verrouiller en place comme le montre la figure 3B.

Utiliser une des méthodes précédentes pour insérer les trépan métalliques combinés (encoche et anneau).

## Fonctionnement

**REMARQUE :** utiliser uniquement des trépan tranchants.

1. Insérer le trépan comme il est décrit à la section **Trépan**.
2. Debout derrière l'outil, les deux mains sur les poignées, enfoncer l'interrupteur marche/arrêt pour démarrer l'outil. Tenir fermement les poignées pour maîtriser l'outil.
3. Retirer la main pour libérer la pression exercée sur l'interrupteur marche/arrêt et ainsi éteindre l'outil.
4. Mettre les mains sous les poignées, puis soulever l'outil pour le déplacer.

## MAINTENANCE

**⚠️ AVERTISSEMENT :** pour réduire le risque de blessures, éteindre l'appareil et le débrancher avant d'installer ou de retirer tout accessoire et avant d'effectuer des réglages ou des réparations. Un démarrage accidentel peut provoquer des blessures.

### Nettoyage

**⚠️ AVERTISSEMENT :** enlever les saletés et la poussière hors des événements au moyen d'air comprimé propre et sec, au moins une fois par semaine. Pour minimiser le risque de blessure aux yeux, toujours porter une protection oculaire conforme à la norme ANSI Z87.1 lors du nettoyage.

**⚠️ AVERTISSEMENT :** ne jamais utiliser de solvants ni d'autres produits chimiques puissants pour nettoyer les pièces non métalliques de l'outil. Ces produits chimiques peuvent affaiblir les matériaux de plastique utilisés dans ces pièces. Utiliser un chiffon humecté uniquement d'eau et de savon doux. Ne jamais laisser de liquide pénétrer dans l'outil et n'immerger aucune partie de l'outil dans un liquide.

### Accessoires

**⚠️ AVERTISSEMENT :** puisque les accessoires autres que ceux offerts par DEWALT n'ont pas été testés avec ce produit, leur utilisation pourrait s'avérer dangereuse. Pour réduire le risque de blessures, utiliser exclusivement les accessoires DEWALT recommandés avec le présent produit.

Les accessoires recommandés pour cet outil sont vendus séparément au centre de service de votre région. Pour obtenir de l'aide concernant l'achat d'un accessoire, communiquer avec DEWALT Industrial Tool Co., 701 East Joppa Road, Baltimore, MD 21286 aux États-Unis; composer le 1 800 433-9258 (1 800 4-DEWALT) ou visiter notre site Web : [www.dewalt.com](http://www.dewalt.com).

### Réparations

Pour assurer la SÉCURITÉ et la FIABILITÉ du produit, les réparations, l'entretien et les réglages doivent être réalisés (cela comprend l'inspection et le remplacement du balai) par un centre de réparation en usine DEWALT, un centre de réparation agréé DEWALT ou par d'autres techniciens qualifiés. Toujours utiliser des pièces de rechange identiques.

### Registre en ligne

Merci pour votre achat. Enregistrez dès maintenant votre produit:

- **RÉPARATIONS SOUS GARANTIE:** cette carte remplie vous permettra de vous prévaloir du service de réparations sous garantie de façon plus efficace dans le cas d'un problème avec le produit.
- **CONFIRMATION DE PROPRIÉTÉ:** en cas de perte provoquée par un incendie, une inondation ou un vol, cette preuve de propriété vous servira de preuve auprès de votre compagnie d'assurances.
- **SÉCURITÉ:** l'enregistrement de votre produit nous permettra de communiquer avec vous dans l'éventualité peu probable de l'envoi d'un avis de sécurité régi par la loi fédérale américaine de la protection des consommateurs.

Registre en ligne à [www.dewalt.com/register](http://www.dewalt.com/register).

### Garantie limitée de trois ans

DEWALT réparera, sans frais, tout produit défectueux causé par un défaut de matériel ou de fabrication pour une période de trois ans à compter de la date d'achat. La présente garantie ne couvre pas les pièces dont la défectuosité a été causée par une usure normale ou l'usage abusif de l'outil. Pour obtenir de plus amples renseignements sur les pièces ou les réparations couvertes par la présente garantie, visiter le site [www.dewalt.com](http://www.dewalt.com) ou composer le 1 800 433-9258 (1 800 4-DEWALT). Cette garantie ne s'applique pas aux accessoires et ne vise pas les dommages causés par des réparations effectuées par un tiers. Cette garantie confère des droits légaux particuliers à l'acheteur, mais celui-ci pourrait aussi bénéficier d'autres droits variant d'un état ou d'une province à l'autre.

En plus de la présente garantie, les outils DEWALT sont couverts par notre :

#### CONTRAT D'ENTRETIEN GRATUIT D'UN AN

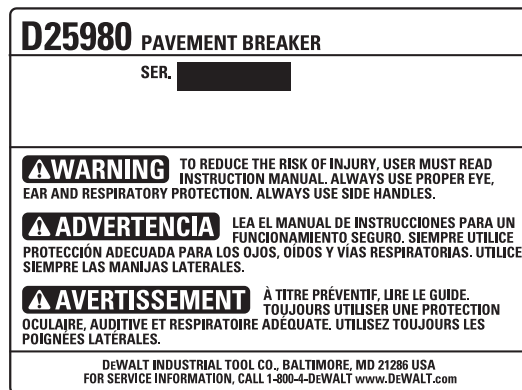
DEWALT entretiendra l'outil et remplacera les pièces usées au cours d'une utilisation normale et ce, gratuitement, pendant une période d'un an à compter de la date d'achat.

#### GARANTIE DE REMBOURSEMENT DE 90 JOURS

Si l'acheteur n'est pas entièrement satisfait, pour quelque raison que ce soit, du rendement de l'outil électrique, du laser ou de la cloueuse DEWALT, celui-ci peut le retourner, accompagné d'un reçu, dans les 90 jours à compter de la date d'achat pour obtenir un remboursement intégral, sans aucun problème.

**AMÉRIQUE LATINE :** cette garantie ne s'applique aux produits vendus en Amérique latine. Pour ceux-ci, veuillez consulter les informations relatives à la garantie spécifique présente dans l'emballage, appeler l'entreprise locale ou consulter le site Web pour les informations relatives à cette garantie.

**REMPACEMENT GRATUIT DES ÉTIQUETTES D'AVERTISSEMENT :** si les étiquettes d'avertissement deviennent illisibles ou sont manquantes, composer le 1 800 433-9258 (1 800 4-DEWALT) pour en obtenir le remplacement gratuit.



#### FICHE TECHNIQUE

Tension ..... 120 V~  
 Courant..... 15 A  
 Fréquence..... 60 Hz  
 Puissance absorbée ..... 1 800 W  
 Frappe par minute ..... 900  
 Porte-outil ..... 28 mm  
 Poids ..... 31 kg

### Definiciones: Normas de seguridad

Las siguientes definiciones describen el nivel de gravedad de cada palabra de señal. Lea el manual y preste atención a estos símbolos.

**▲ PELIGRO:** indica una situación de peligro inminente que, si no se evita, provocará la muerte o lesiones graves.

**▲ ADVERTENCIA:** indica una situación de peligro potencial que, si no se evita, podría provocar la muerte o lesiones graves.

**▲ ATENCIÓN:** indica una situación de peligro potencial que, si no se evita, posiblemente provocaría lesiones leves o moderadas.

**AVISO:** se refiere a una práctica no relacionada a lesiones corporales que de no evitarse puede resultar en daños a la propiedad.

SI TIENE ALGUNA DUDA O ALGÚN COMENTARIO SOBRE ÉSTA U OTRA HERRAMIENTA DEWALT, LLÁMENOS AL NÚMERO GRATUITO: 1-800-4-DEWALT (1-800-433-9258).



**ADVERTENCIA:** Para reducir el riesgo de lesiones, lea el manual de instrucciones.

### Advertencias generales de seguridad para herramientas eléctricas



**¡ADVERTENCIA!** Lea todas las advertencias de seguridad e instrucciones. El incumplimiento de las advertencias e instrucciones puede provocar descargas eléctricas, incendios o lesiones graves.

### CONSERVE TODAS LAS ADVERTENCIAS E INSTRUCCIONES PARA FUTURAS CONSULTAS

El término "herramienta eléctrica" incluido en las advertencias hace referencia a las herramientas eléctricas operadas con corriente (con cable eléctrico) o a las herramientas eléctricas operadas con baterías (inalámbricas).

#### 1) SEGURIDAD EN EL ÁREA DE TRABAJO

- Mantenga el área de trabajo limpia y bien iluminada.** Las áreas abarrotadas y oscuras propician accidentes.
- No opere las herramientas eléctricas en atmósferas explosivas, como ambientes donde haya polvo, gases o líquidos inflamables.** Las herramientas eléctricas originan chispas que pueden encender el polvo o los vapores.
- Mantenga alejados a los niños y a los espectadores de la herramienta eléctrica en funcionamiento.** Las distracciones pueden provocar la pérdida de control.

#### 2) SEGURIDAD ELÉCTRICA

- Los enchufes de la herramienta eléctrica deben adaptarse al tomacorriente. Nunca modifique el enchufe de ninguna manera. No utilice ningún enchufe adaptador con herramientas eléctricas con conexión a tierra.** Los enchufes no modificados y que se adaptan a los tomacorrientes reducirán el riesgo de descarga eléctrica.
- Evite el contacto corporal con superficies con descargas a tierra como, por ejemplo, tuberías, radiadores, cocinas eléctricas y refrigeradores.** Existe mayor riesgo de descarga eléctrica si su cuerpo está puesto a tierra.
- No exponga las herramientas eléctricas a la lluvia o a condiciones de humedad.** Si entra agua a una herramienta eléctrica, aumentará el riesgo de descarga eléctrica.
- No maltrate el cable. Nunca utilice el cable para transportar, tirar o desenchufar la herramienta eléctrica. Mantenga el cable alejado del calor, el aceite, los bordes filosos y las piezas móviles.** Los cables dañados o enredados aumentan el riesgo de descarga eléctrica.

- Al operar una herramienta eléctrica en el exterior, utilice un cable prolongador adecuado para tal uso.** Utilice un cable adecuado para uso en exteriores a fin de reducir el riesgo de descarga eléctrica.
- Si el uso de una herramienta eléctrica en un lugar húmedo es imposible de evitar, utilice un suministro protegido con un interruptor de circuito por falla a tierra (GFCI).** El uso de un GFCI reduce el riesgo de descargas eléctricas.

#### 3) SEGURIDAD PERSONAL

- Permanezca alerta, controle lo que está haciendo y utilice el sentido común cuando emplee una herramienta eléctrica. No utilice una herramienta eléctrica si está cansado o bajo el efecto de drogas, alcohol o medicamentos.** Un momento de descuido mientras se opera una herramienta eléctrica puede provocar lesiones personales graves.
- Utilice equipos de protección personal. Siempre utilice protección para los ojos.** En las condiciones adecuadas, el uso de equipos de protección, como máscaras para polvo, calzado de seguridad antideslizante, cascos o protección auditiva, reducirá las lesiones personales.
- Evite el encendido por accidente. Asegúrese de que el interruptor esté en la posición de apagado antes de conectarlo a la fuente de energía o paquete de baterías, o antes de levantar o transportar la herramienta.** Transportar herramientas eléctricas con el dedo apoyado en el interruptor o enchufar herramientas eléctricas con el interruptor en la posición de encendido puede propiciar accidentes.
- Retire la clavija de ajuste o la llave de tuercas antes de encender la herramienta eléctrica.** Una llave de tuercas o una clavija de ajuste que quede conectada a una pieza giratoria de la herramienta eléctrica puede provocar lesiones personales.
- No se estire. Conserve el equilibrio y párese adecuadamente en todo momento.** Esto permite un mejor control de la herramienta eléctrica en situaciones inesperadas.
- Use la vestimenta adecuada. No use ropas holgadas ni joyas. Mantenga el cabello, la ropa y los guantes alejados de las piezas en movimiento.** Las ropas holgadas, las joyas o el cabello largo pueden quedar atrapados en las piezas en movimiento.
- Si se suministran dispositivos para la conexión de accesorios con fines de recolección y extracción de polvo, asegúrese de que estén conectados y que se utilicen correctamente.** El uso de dispositivos de recolección de polvo puede reducir los peligros relacionados con el polvo.

#### 4) USO Y MANTENIMIENTO DE LA HERRAMIENTA ELÉCTRICA

- No fuerce la herramienta eléctrica. Utilice la herramienta eléctrica correcta para el trabajo que realizará.** Si se la utiliza a la velocidad para la que fue diseñada, la herramienta eléctrica correcta permite trabajar mejor y de manera más segura.
- No utilice la herramienta eléctrica si no puede encenderla o apagarla con el interruptor.** Toda herramienta eléctrica que no pueda ser controlada mediante el interruptor es peligrosa y debe repararse.
- Desconecte el enchufe de la fuente de energía o el paquete de baterías de la herramienta eléctrica antes de realizar ajustes, cambiar accesorios o almacenar la herramienta eléctrica.** Estas medidas de seguridad preventivas reducen el riesgo de encender la herramienta eléctrica en forma accidental.
- Guarde la herramienta eléctrica que no esté en uso fuera del alcance de los niños y no permita que otras personas no familiarizadas con ella o con estas instrucciones operen la herramienta.** Las herramientas eléctricas son peligrosas si son operadas por usuarios no capacitados.
- Realice el mantenimiento de las herramientas eléctricas. Revise que no haya piezas en movimiento mal alineadas o trabadas, piezas rotas o cualquier otra situación que pueda afectar el funcionamiento de la herramienta eléctrica. Si encuentra daños, haga reparar la herramienta eléctrica antes de utilizarla.** Se producen muchos

accidentes a causa de las herramientas eléctricas que carecen de un mantenimiento adecuado.

- f) **Mantenga las herramientas de corte afiladas y limpias.** Las herramientas de corte con mantenimiento adecuado y con los bordes de corte afilados son menos propensas a trabarse y son más fáciles de controlar.
- g) **Utilice la herramienta eléctrica, los accesorios y las brocas de la herramienta, etc. de acuerdo con estas instrucciones y teniendo en cuenta las condiciones de trabajo y el trabajo que debe realizarse.** El uso de la herramienta eléctrica para operaciones diferentes de aquéllas para las que fue diseñada podría originar una situación peligrosa.

## 5) MANTENIMIENTO

- a) **Solicite a una persona calificada en reparaciones que realice el mantenimiento de su herramienta eléctrica y que sólo utilice piezas de repuesto idénticas.** Esto garantizará la seguridad de la herramienta eléctrica.

## Instrucciones de seguridad adicionales para los Martillos rompedores

- **Sujete las herramientas eléctricas por superficies aisladas cuando realice una operación en la cual la herramienta para cortar pudiera entrar en contacto con instalaciones eléctricas ocultas o su propio cable. El contacto de los accesorios de corte con un cable cargado puede cargar las partes metálicas expuestas de la herramienta y producir una descarga eléctrica al operador.**
- **Asegúrese de que el material a trabajar no contenga cableados o tuberías de gas ocultos, cuyas ubicaciones deben haber sido constatadas con las empresas de servicios públicos correspondientes.**
- **Use protectores auditivos.** La exposición al ruido puede ocasionar la pérdida de la audición.
- **Use los mangos auxiliares que se suministran con la herramienta.** La pérdida del control podría ocasionar lesiones personales.
- **Sujete la herramienta firmemente en todo momento. No intente hacer funcionar esta herramienta sin sostenerla con ambas manos.** Si intenta hacerla funcionar con una sola mano, podría perder el control de la herramienta. También podría ser peligroso perforar o encontrar materiales duros, como barras de refuerzo. Ajuste firmemente el mango lateral antes de utilizar la herramienta.
- **Use lentes de seguridad u otra protección similar para los ojos.** Al martillar se producen astillas. Las partículas volátiles pueden provocar lesiones oculares permanentes. Utilice una máscara para polvo o una mascarilla de respiración en aplicaciones que generen polvo. La mayoría de las aplicaciones pueden requerir protección auditiva.
- **No haga funcionar esta herramienta durante períodos prolongados.** La vibración que produce la acción de percusión puede ser perjudicial para las manos y los brazos. Use guantes que provean amortiguación extra y limite la exposición tomando descansos frecuentes.
- **No reacondicione las brocas usted mismo.** El reacondicionamiento del cincel debe ser realizado por un especialista autorizado. Los cinceles reacondicionados de manera incorrecta pueden provocar lesiones.
- **Use guantes cuando utilice la herramienta o cambie las brocas.** Mientras la herramienta se encuentra en funcionamiento, las piezas metálicas accesibles de la misma y las brocas pueden sobrecalentarse. Los trozos pequeños de material roto pueden dañar las manos sin guantes.
- **Nunca apoye la herramienta hasta que la broca se haya detenido completamente.** Las brocas en movimiento podrían provocar lesiones.
- **No golpee las brocas atascadas con un martillo para desatascarlas.** Los fragmentos de metal o astillas del material podrían desprenderse y provocar lesiones.
- **Los cinceles levemente gastados pueden afilarse con una esmeriladora.**

- **Mantenga el cable eléctrico alejado de la broca. No enrosque el cable alrededor de ninguna parte del cuerpo.** Un cable eléctrico enroscado alrededor de una broca puede provocar una descarga eléctrica.
- **Los orificios de ventilación suelen cubrir piezas en movimiento, por lo que también se deben evitar.** Las piezas en movimiento pueden atrapar prendas de vestir sueltas, joyas o el cabello largo.
- **El cable de extensión deben ser de un calibre apropiado para su seguridad.** Mientras menor sea el calibre del hilo, mayor la capacidad del cable. Es decir, un hilo calibre 16 tiene mayor capacidad que uno de 18. Un cable de un calibre insuficiente causará una caída en la tensión de la línea dando por resultado una pérdida de energía y sobrecalentamiento. Cuando se utilice más de un alargador para completar el largo total, asegúrese que los hilos de cada alargador tengan el calibre mínimo. La tabla siguiente muestra el tamaño correcto a utilizar, dependiendo de la longitud del cable y del amperaje nominal de la placa de identificación. Si tiene dudas sobre cuál calibre usar, use un calibre mayor. Cuanto más pequeño sea el número del calibre, más resistente será el cable.

Calibre mínimo para cables de alimentación						
Amperaje		Voltios	Largo total del cordón en metros (pies)			
		120 V	7,6 (25)	15,2 (50)	30,5 (100)	45,7 (150)
		240 V	15,2 (50)	30,5 (100)	61,0 (200)	91,4 (300)
Más de	No más de	AWG				
0	6		18	16	16	14
6	10		18	16	14	12
10	12		16	16	14	12
12	16		14	12	No recomendado	

**⚠️ ADVERTENCIA:** Use **SIEMPRE** lentes de seguridad. Los anteojos de diario **NO SON** lentes de seguridad. Utilice además una cubrebocas o mascarilla antipolvo si la operación de corte genera demasiado polvo. **SIEMPRE LLEVE EQUIPO DE SEGURIDAD CERTIFICADO:**

- Protección ocular ANSI Z87.1 (CAN/CSA Z94.3),
- Protección auditiva ANSI S12.6 (S3.19),
- Protección respiratoria NIOSH/OSHA/MSHA.

**⚠️ ADVERTENCIA:** Algunas partículas de polvo generadas al lijar, serrar, esmerilar y taladrar con herramientas eléctricas, así como al realizar otras actividades de construcción, contienen químicos que el Estado de California sabe que pueden producir cáncer, defectos congénitos u otras afecciones reproductivas. Ejemplos de estos químicos son:

- plomo de algunas pinturas en base a plomo,
- polvo de sílice proveniente de ladrillos y cemento y otros productos de albañilería, y
- arsénico y cromo provenientes de madera tratada químicamente.

Su riesgo de exposición a estos químicos varía, dependiendo de la frecuencia con la cual realiza usted este tipo de trabajo. Para reducir su exposición a estas sustancias químicas: trabaje en una zona bien ventilada y llevando equipos de seguridad aprobados, como mascarillas antipolvo especialmente diseñadas para filtrar partículas microscópicas.

• **Evite el contacto prolongado con polvo generado por el lijado, aserrado, pulido, taladrado y otras actividades de construcción. Vista ropas protectoras y lave las áreas de la piel expuestas con agua y jabón.** Si permite que el polvo se introduzca en la boca u ojos o quede sobre la piel, puede favorecer la absorción de productos químicos peligrosos.

**⚠️ ADVERTENCIA:** La utilización de esta herramienta puede generar polvo o dispersarlo, lo que podría causar daños graves y permanentes al sistema respiratorio, así como otras lesiones. Siempre use protección respiratoria aprobada por NIOSH (Instituto Nacional de Seguridad y Salud en el Trabajo) u OSHA (Administración de Seguridad y Salud en el Trabajo) apropiada para la exposición al polvo. Dirija las partículas en dirección contraria a la cara y el cuerpo.

**⚠ADVERTENCIA:** Siempre lleve la debida protección auditiva personal en conformidad con ANSI S12.6 (S3.19) durante el uso de esta herramienta. Bajo algunas condiciones y duraciones de uso, el ruido producido por este producto puede contribuir a la pérdida auditiva.

• La etiqueta de su herramienta puede incluir los siguientes símbolos. A continuación se indican los símbolos y sus definiciones:

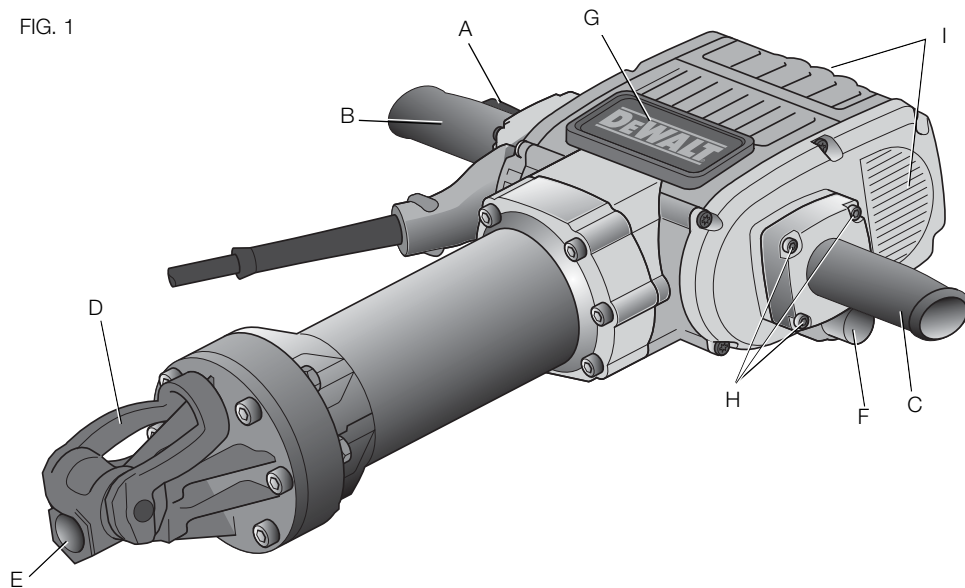
V.....voltios	A.....amperios
Hz.....hertz	W.....vatios
min .....minutos	~ o AC.....corriente alterna
— o DC....corriente directa	⎓ o AC/DC ....corriente alterna o directa
Ⓛ.....Construcción de Clase I (tierra)	n <sub>0</sub> .....velocidad sin carga
Ⓜ.....Construcción de Clase II (doble aislamiento)	n.....velocidad nominal
.../min .....por minuto	⊕ .....terminal de conexión a tierra
IPM.....impactos por minuto	⚠.....símbolo de advertencia de seguridad
sfpm .....pies de superficie por minuto	BPM.....golpes por minuto
SPM.....pasadas por minuto	RPM.....revoluciones por minuto

### GUARDE ESTAS INSTRUCCIONES PARA FUTURAS CONSULTAS

#### Motor

Asegúrese de que la fuente de energía concuerde con lo que se indica en la placa. Un descenso en el voltaje de más del 10% producirá una pérdida de potencia y sobrecalentamiento. Todas las herramientas DEWALT son probadas en fábrica; si esta herramienta no funciona, verifique el suministro eléctrico.

FIG. 1



#### COMPONENTES (FIG. 1)

**⚠ADVERTENCIA:** Nunca modifique la herramienta eléctrica, ni tampoco ninguna de sus piezas. Podría producir lesiones corporales o daños.

**NOTA:** Izquierda y derecha describen la ubicación de la pieza con el operador parado detrás del martillo rompedor y el frente de la herramienta en dirección opuesta a él.

- |   |                                  |
|---|----------------------------------|
| A. Interruptor de encendido/apagado     | F. Control activo de vibración   |
| B. Mango lateral derecho                | G. Frente de la herramienta      |
| C. Mango lateral izquierdo              | H. Tornillos de cabeza hexagonal |
| D. Dispositivo de retención de la broca | I. Orificios de ventilación      |
| E. Portabrocas                          |                                  |

#### USO DEBIDO

El martillo demoledor D25980 ha sido diseñado para aplicaciones profesionales de trabajos pesados de demolición, desbastado y embutición en hormigón, ladrillo, piedra y otros materiales de mampostería.

**NO** utilice la herramienta en condiciones de humedad o en presencia de líquidos o gases inflamables. Estos martillos demoledores son herramientas eléctricas profesionales. **NO** permita que los niños toquen la herramienta. Si el operador no tiene experiencia operando esta herramienta, su uso deberá ser supervisado.

#### MONTAJE Y AJUSTES

**⚠ADVERTENCIA:** Para reducir el riesgo de lesiones personales graves, apague la herramienta y desconéctela de la fuente de alimentación antes de instalar y retirar accesorios, ajustar o cambiar configuraciones o realizar reparaciones. Un arranque accidental podría causar lesiones.

#### Mango lateral (Fig. 1)

**⚠ATENCIÓN:** Opere siempre la herramienta con el mango lateral montado correctamente. Sostenga la herramienta con ambas manos para un máximo control.

Instale el mango del lado izquierdo (C) con cuatro tornillos de cabeza hexagonal (H, suministrados) Ajuste con una llave hexagonal suministrada.

#### CARACTERÍSTICAS (FIG. 1)

##### Interruptor de encendido/apagado (On/off)

El peso de la mano activará o desactivará el interruptor de encendido/apagado. Sujete el martillo rompedor con firmeza mientras ejerce presión con la mano derecha para encender el martillo. Para apagar la herramienta, retire la mano derecha para liberar la presión del interruptor.

##### Arranque suave

Si sostiene la herramienta con ambos mangos se oprime el interruptor de encendido/apagado (A). La función de arranque suave permite que la velocidad de impacto se acumule más lentamente para evitar que la broca o punta rebote en la superficie. Para detener el martillo, tire con la mano para liberar la presión del interruptor para APAGAR la herramienta.

##### Control activo de vibración SHOCKS™

El control activo de vibración (F) absorbe la vibración que se transmite al usuario. Esto mejora la comodidad del usuario y la seguridad durante el funcionamiento.

Sostenga firmemente la herramienta con una mano por el mango del lado izquierdo (C) y la otra mano en el mango del lado derecho (B). Con la mano derecha presione el interruptor de encendido/apagado (A) para encender la herramienta. Aplique sólo la presión suficiente en el área de trabajo para activar el control activo de vibración. Si se aplica demasiada presión, la herramienta no cincelará más rápido y no se activará el control activo de vibración.

## OPERACIÓN

**⚠ADVERTENCIA:** Para reducir el riesgo de lesiones personales graves, apague la herramienta y desconéctela de la fuente de alimentación antes de instalar y retirar accesorios, ajustar o cambiar configuraciones o realizar reparaciones. Un arranque accidental podría causar lesiones.

**⚠ATENCIÓN:** Sostenga la herramienta con ambas manos para un máximo control. Permita que la herramienta realice el trabajo. Aplicar una fuerza excesiva puede acortar la vida útil del martillo y del accesorio.

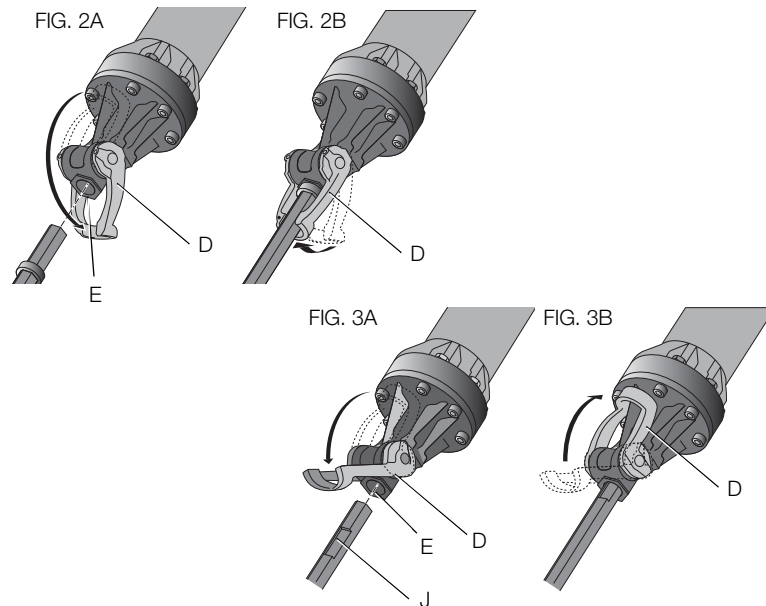
### Brocas (Fig. 2, 3)

**⚠ADVERTENCIA:** Para reducir el riesgo de lesiones personales graves, apague la herramienta y desconéctela de la fuente de alimentación antes de instalar y retirar accesorios, ajustar o cambiar configuraciones o realizar reparaciones. Un arranque accidental podría causar lesiones.

**⚠ADVERTENCIA:** SIEMPRE use guantes cuando cambie las brocas. Mientras la herramienta se encuentra en funcionamiento, las piezas metálicas accesibles de la misma y las brocas pueden sobrecalentarse.

**⚠ADVERTENCIA:** Para reducir el riesgo de lesiones, con este producto deben usarse sólo los accesorios DEWALT recomendados. Una amplia variedad de brocas está disponible en su comercio minorista local.

**NOTA** Inserte las brocas con la parte frontal de la herramienta (G) hacia arriba.



#### PARA INSERTAR AIRE EN LAS BROCAS DE ACERO (BROCA DE UN SÓLO ANILLO)

1. Tire para abrir el dispositivo de retención de la broca (D) como se observa en la Figura 2A.
2. Inserte la broca en el portabrocas (E) y cierre el dispositivo de retención en la broca como se observa en la Figura 2B.

#### PARA INSERTAR BROCAS DE ACERO DE LA HERRAMIENTA (BROCA DE UNA MUESCA)

1. Tire para abrir el dispositivo de retención de la broca (D) como se observa en la Figura 3A.
2. Inserte la broca con la muesca (J) hacia arriba en el portabrocas (E).
3. Tire del dispositivo de retención hacia arriba para trabarlo en su posición como se observa en la Figura 3B.

Use cualquiera de los métodos anteriores para insertar la combinación del acero (broca de anillo y muesca)

### Para operar

**NOTA:** Utilice solamente brocas de taladro afiladas.

1. Inserte la broca como se detalla en la sección **Brocas**.
2. Párese detrás de la herramienta con ambas manos en los mangos y oprima el interruptor de encendido/apagado para encenderla. Sostenga los mangos firmemente para controlar la herramienta.
3. Retire la mano para liberar la presión del interruptor de encendido/apagado para apagar la herramienta.
4. Coloque las manos por debajo de los mangos y levante para mover la herramienta.

### MANTENIMIENTO

**⚠ADVERTENCIA:** Para reducir el riesgo de lesiones personales graves, apague la herramienta y desconéctela de la fuente de alimentación antes de instalar y retirar accesorios, ajustar o cambiar configuraciones o realizar reparaciones. Un arranque accidental podría causar lesiones.

### Limpieza

**⚠ADVERTENCIA:** Sople la suciedad y el polvo de todos los conductos de ventilación con aire seco, al menos una vez por semana. Para reducir el riesgo de lesiones, utilice siempre protección para los ojos aprobada ANSI Z87.1 al realizar esta tarea.

**⚠ADVERTENCIA:** Nunca utilice solventes ni otros químicos abrasivos para limpiar las piezas no metálicas de la herramienta. Estos productos químicos pueden debilitar los materiales plásticos utilizados en estas piezas. Utilice un paño humedecido sólo con agua y jabón neutro. Nunca permita que penetre líquido dentro de la herramienta ni sumerja ninguna de las piezas en un líquido.

### Accesorios

**⚠ADVERTENCIA:** Debido a que no se han probado con este producto otros accesorios que no sean los que ofrece DEWALT, el uso de dichos accesorios con esta herramienta podría ser peligroso. Para reducir el riesgo de lesiones, con este producto deben usarse sólo los accesorios recomendados por DEWALT.

Los accesorios que se recomiendan para utilizar con la herramienta están disponibles a un costo adicional en su distribuidor local o en un centro de mantenimiento autorizado. Si necesita ayuda para localizar algún accesorio, póngase en contacto con DEWALT Industrial Tool Co., 701 East Joppa Road, Baltimore, MD 21286, llame al 1-800-4-DEWALT (1-800-433-9258) o visite nuestro sitio Web: [www.dewalt.com](http://www.dewalt.com).

### Reparaciones

Para asegurar la SEGURIDAD y la CONFIABILIDAD del producto, las reparaciones, el mantenimiento y los ajustes deben (inclusive inspección y cambio de carbones) ser realizados en un centro de mantenimiento en la fábrica DEWALT, en un centro de mantenimiento autorizado DEWALT u por otro personal de mantenimiento calificado. Utilice siempre piezas de repuesto idénticas.

#### PARA REPARACIÓN Y SERVICIO DE SUS HERRAMIENTAS ELÉCTRICAS, FAVOR DE DIRIGIRSE AL CENTRO DE SERVICIO MÁS CERCANO

##### CULIACAN, SIN

Blvd.Emiliano Zapata 5400-1 Poniente  
Col. San Rafael

(667) 717 89 99

##### GUADALAJARA, JAL

Av. La Paz #1779 - Col. Americana Sector Juárez

(33) 3825 6978

##### MEXICO, D.F.

Eje Central Lázaro Cárdenas No. 18  
Local D, Col. Obrera

(55) 5588 9377

**MERIDA, YUC**

Calle 63 #459-A - Col. Centro

(999) 928 5038

**MONTERREY, N.L.**

Av. Francisco I. Madero 831 Poniente - Col. Centro

(818) 375 23 13

**PUEBLA, PUE**

17 Norte #205 - Col. Centro

(222) 246 3714

**QUERETARO, QRO**

Av. San Roque 274 - Col. San Gregorio

(442) 2 17 63 14

**SAN LUIS POTOSI, SLP**

Av. Universidad 1525 - Col. San Luis

(444) 814 2383

**TORREON, COAH**

Blvd. Independencia, 96 Pte. - Col. Centro

(871) 716 5265

**VERACRUZ, VER**

Prolongación Díaz Mirón #4280 - Col. Remes

(229) 921 7016

**VILLAHERMOSA, TAB**

Constitución 516-A - Col. Centro

(993) 312 5111

**PARA OTRAS LOCALIDADES:****Si se encuentra en México, por favor llame al (55) 5326 7100****Si se encuentra en U.S., por favor llame al  
1-800-433-9258 (1-800 4-DeWALT)****Póliza de Garantía**

IDENTIFICACIÓN DEL PRODUCTO:

Sello o firma del Distribuidor.

Nombre del producto: \_\_\_\_\_ Mod./Cat.: \_\_\_\_\_

Marca: \_\_\_\_\_ Núm. de serie: \_\_\_\_\_

(Datos para ser llenados por el distribuidor)

Fecha de compra y/o entrega del producto: \_\_\_\_\_

Nombre y domicilio del distribuidor donde se adquirió el producto: \_\_\_\_\_

Este producto está garantizado por un año a partir de la fecha de entrega, contra cualquier defecto en su funcionamiento, así como en materiales y mano de obra empleados para su fabricación. Nuestra garantía incluye la reparación o reposición del producto y/o componentes sin cargo alguno para el cliente, incluyendo mano de obra, así como los gastos de transportación razonablemente erogados derivados del cumplimiento de este certificado.

Para hacer efectiva esta garantía deberá presentar su herramienta y esta póliza sellada por el establecimiento comercial donde se adquirió el producto, de no contar con ésta, bastará la factura de compra.

**EXCEPCIONES**

Esta garantía no será válida en los siguientes casos:

- Cuando el producto se hubiese utilizado en condiciones distintas a las normales;
- Cuando el producto no hubiese sido operado de acuerdo con el instructivo de uso que se acompaña;
- Cuando el producto hubiese sido alterado o reparado por personas distintas a las enlistadas al final de este certificado.

Anexo encontrará una relación de sucursales de servicio de fábrica, centros de servicio autorizados y franquiciados en la República Mexicana, donde podrá hacer efectiva su garantía y adquirir partes, refacciones y accesorios originales.

**Registro en línea**

Gracias por su compra. Registre su producto ahora para:

- **SERVICIO EN GARANTÍA:** Si completa esta tarjeta, podrá obtener un servicio en garantía más eficiente, en caso de que exista un problema con su producto.
- **CONFIRMACIÓN DE PROPIEDAD:** En caso de una pérdida que cubra el seguro, como un incendio, una inundación o un robo, el registro de propiedad servirá como comprobante de compra.
- **PARA SU SEGURIDAD:** Si registra el producto, podremos comunicarnos con usted en el caso improbable que se deba enviar una notificación de seguridad conforme a la Federal Consumer Safety Act (Ley Federal de Seguridad de Productos para el Consumidor).

Registro en línea en [www.dewalt.com/register](http://www.dewalt.com/register).**Garantía limitada por tres años**

DeWALT reparará, sin cargo, cualquier falla que surja de defectos en el material o la fabricación del producto, por hasta tres años a contar de la fecha de compra. Esta garantía no cubre fallas de las piezas causadas por su desgaste normal o abuso a la herramienta. Para mayores detalles sobre la cobertura de la garantía e información acerca de reparaciones realizadas bajo garantía, visítenos en [www.dewalt.com](http://www.dewalt.com) o diríjase al centro de servicio más cercano. Esta garantía no aplica a accesorios o a daños causados por reparaciones realizadas o intentadas por terceros. Esta garantía le otorga derechos legales específicos, además de los cuales puede tener otros dependiendo del estado o la provincia en que se encuentre.

Además de la garantía, las herramientas DeWALT están cubiertas por:

**1 AÑO DE SERVICIO GRATUITO**

DeWALT mantendrá la herramienta y reemplazará las piezas gastadas por su uso normal, sin cobro, en cualquier momento durante un año a contar de la fecha de compra. Los artículos gastados por la clavadora, tales como la unidad de hoja y retorno del impulsador, no están cubiertas.

**GARANTÍA DE REEMBOLSO DE SU DINERO POR 90 DÍAS**

Si no está completamente satisfecho con el desempeño de su máquina herramienta, láser o clavadora DeWALT, cualquiera sea el motivo, podrá devolverlo hasta 90 días de la fecha de compra con su recibo y obtener el reembolso completo de su dinero – sin necesidad de responder a ninguna pregunta.

**AMÉRICA LATINA:** Esta garantía no se aplica a los productos que se venden en América Latina. Para los productos que se venden en América Latina, debe consultar la información de la garantía específica del país que viene en el empaque, llamar a la compañía local o visitar el sitio Web a fin de obtener esa información.

**REEMPLAZO GRATUITO DE LAS ETIQUETAS DE ADVERTENCIAS:** Si sus etiquetas de advertencia se vuelven ilegibles o faltan, llame al 1-800-4-DeWALT (1-800-433-9258) para que se le reemplacen gratuitamente.

<b>D25980 PAVEMENT BREAKER</b>	
SER. [REDACTED]	
<b>⚠ WARNING</b>	TO REDUCE THE RISK OF INJURY, USER MUST READ INSTRUCTION MANUAL. ALWAYS USE PROPER EYE, EAR AND RESPIRATORY PROTECTION. ALWAYS USE SIDE HANDLES.
<b>⚠ ADVERTENCIA</b>	LEA EL MANUAL DE INSTRUCCIONES PARA UN FUNCIONAMIENTO SEGURO. SIEMPRE UTILICE PROTECCIÓN ADECUADA PARA LOS OJOS, OÍDOS Y VÍAS RESPIRATORIAS. UTILICE SIEMPRE LAS MANIJAS LATERALES.
<b>⚠ AVERTISSEMENT</b>	À TITRE PRÉVENTIF, LIRE LE GUIDE. TOUJOURS UTILISER UNE PROTECTION OCULAIRE, AUDITIVE ET RESPIRATOIRE ADEQUATE. UTILISEZ TOUJOURS LES POIGNÉES LATÉRALES.
DeWALT INDUSTRIAL TOOL CO., BALTIMORE, MD 21286 USA FOR SERVICE INFORMATION, CALL 1-800-4-DeWALT <a href="http://www.DeWALT.com">www.DeWALT.com</a>	

## ESPECIFICACIONES

Voltaje.....	120 V ~
Corriente.....	15 A
Frecuencia.....	60 Hz
Entrada.....	1800 W
Goles por minuto.....	900
Soporte de la herramienta.....	28 mm
Peso.....	31 kg

SOLAMENTE PARA PROPÓSITO DE MÉXICO:  
IMPORTADO POR: DEWALT INDUSTRIAL TOOL CO. S.A. DE C.V.  
AVENIDA ANTONIO DOVALI JAIME, # 70 TORRE B PISO 9  
COLONIA LA FE, SANTA FÉ  
CÓDIGO POSTAL : 01210  
DELEGACIÓN ALVARO OBREGÓN  
MÉXICO D.F.  
TEL. (52) 555-326-7100  
R.F.C.: BDE810626-1W7

Para servicio y ventas consulte  
"HERRAMIENTAS ELECTRICAS"  
en la sección amarilla.











DEWALT Industrial Tool Co., 701 East Joppa Road, Baltimore, MD 21286  
(NOV12) Part No. N241419 D25980 Copyright © 2002, 2005, 2006 ,2011, 2012 DeWALT

The following are trademarks for one or more DEWALT power tools: the yellow and black color scheme, the “D” shaped air intake grill, the array of pyramids on the handgrip, the kit box configuration, and the array of lozenge-shaped humps on the surface of the tool.

## Free Manuals Download Website

<http://myh66.com>

<http://usermanuals.us>

<http://www.somanuals.com>

<http://www.4manuals.cc>

<http://www.manual-lib.com>

<http://www.404manual.com>

<http://www.luxmanual.com>

<http://aubethermostatmanual.com>

Golf course search by state

<http://golfingnear.com>

Email search by domain

<http://emailbydomain.com>

Auto manuals search

<http://auto.somanuals.com>

TV manuals search

<http://tv.somanuals.com>