

**Questions? See us on the World Wide Web at [www.dewalt.com](http://www.dewalt.com)  
¿Dudas? Visítenos en Internet: [www.dewalt.com](http://www.dewalt.com)  
Dúvidas? Visite-nos na Internet em [www.dewalt.com.br](http://www.dewalt.com.br)**

**INSTRUCTION MANUAL  
MANUAL DE INSTRUCCIONES  
MANUAL DE INSTRUÇÕES**

INSTRUCTIVO DE OPERACIÓN, CENTROS DE SERVICIO Y PÓLIZA DE GARANTÍA. **ADVERTENCIA:** LÉASE ESTE INSTRUCTIVO ANTES DE USAR EL PRODUCTO.

INSTRUÇÕES DE OPERAÇÃO, CENTRO DE SERVIÇOS E CERTIFICADO DE GARANTIA. **ADVERTÊNCIA:** LEIA ESTAS INSTRUÇÕES ANTES DE UTILIZAR O PRODUTO.

---

# DEWALT®

---

**D25013**

**Pistol Grip Three-Mode SDS Plus® Rotary Hammer**

**Rotomartillo SDS Plus® 3 Modos**

**Martelete Eletropneumático Perfurador/Rompedor SDS Plus®**



### Definitions: Safety Guidelines

The definitions below describe the level of severity for each signal word. Please read the manual and pay attention to these symbols.

**▲ DANGER:** Indicates an imminently hazardous situation which, if not avoided, **will** result in **death or serious injury**.

**▲ WARNING:** Indicates a potentially hazardous situation which, if not avoided, **could** result in **death or serious injury**.

**▲ CAUTION:** Indicates a potentially hazardous situation which, if not avoided, **may** result in **minor or moderate injury**.

**NOTICE:** Indicates a practice **not related to personal injury** which, if not avoided, **may result in property damage**.



**WARNING:** To reduce the risk of injury, read the instruction manual.

### General Power Tool Safety Warnings



**WARNING! Read all safety warnings and all instructions**  
Failure to follow the warnings and instructions may result in electric shock, fire and/or serious injury.

### SAVE ALL WARNINGS AND INSTRUCTIONS FOR FUTURE REFERENCE

The term "power tool" in the warnings refers to your mains-operated (corded) power tool or battery-operated (cordless) power tool.

#### 1) WORK AREA SAFETY

- a) **Keep work area clean and well lit.** Cluttered or dark areas invite accidents.
- b) **Do not operate power tools in explosive atmospheres, such as in the presence of flammable liquids, gases or dust.** Power tools create sparks which may ignite the dust or fumes.

- c) **Keep children and bystanders away while operating a power tool.** Distractions can cause you to lose control.

#### 2) ELECTRICAL SAFETY

- a) **Power tool plugs must match the outlet. Never modify the plug in any way. Do not use any adapter plugs with earthed (grounded) power tools.** Unmodified plugs and matching outlets will reduce risk of electric shock.
- b) **Avoid body contact with earthed or grounded surfaces such as pipes, radiators, ranges and refrigerators.** There is an increased risk of electric shock if your body is earthed or grounded.
- c) **Do not expose power tools to rain or wet conditions.** Water entering a power tool will increase the risk of electric shock.
- d) **Do not abuse the cord. Never use the cord for carrying, pulling or unplugging the power tool. Keep cord away from heat, oil, sharp edges or moving parts.** Damaged or entangled cords increase the risk of electric shock.
- e) **When operating a power tool outdoors, use an extension cord suitable for outdoor use.** Use of a cord suitable for outdoor use reduces the risk of electric shock.
- f) **If operating a power tool in a damp location is unavoidable, use a ground fault circuit interrupter (GFCI) protected supply.** Use of a GFCI reduces the risk of electric shock.

#### 3) PERSONAL SAFETY

- a) **Stay alert, watch what you are doing and use common sense when operating a power tool. Do not use a power tool while you are tired or under the influence of drugs, alcohol or medication.** A moment of inattention while operating power tools may result in serious personal injury.
- b) **Use personal protective equipment. Always wear eye protection.** Protective equipment such as dust mask, non-

skid safety shoes, hard hat, or hearing protection used for appropriate conditions will reduce personal injuries.

- c) **Prevent unintentional starting. Ensure the switch is in the off position before connecting to power source and/or battery pack, picking up or carrying the tool.** Carrying power tools with your finger on the switch or energising power tools that have the switch on invites accidents.
  - d) **Remove any adjusting key or wrench before turning the power tool on.** A wrench or a key left attached to a rotating part of the power tool may result in personal injury.
  - e) **Do not overreach. Keep proper footing and balance at all times.** This enables better control of the power tool in unexpected situations.
  - f) **Dress properly. Do not wear loose clothing or jewellery. Keep your hair, clothing and gloves away from moving parts.** Loose clothes, jewellery or long hair can be caught in moving parts.
  - g) **If devices are provided for the connection of dust extraction and collection facilities, ensure these are connected and properly used.** Use of dust collection can reduce dust-related hazards.
- 4) POWER TOOL USE AND CARE**
- a) **Do not force the power tool. Use the correct power tool for your application.** The correct power tool will do the job better and safer at the rate for which it was designed.
  - b) **Do not use the power tool if the switch does not turn it on and off.** Any power tool that cannot be controlled with the switch is dangerous and must be repaired.
  - c) **Disconnect the plug from the power source and/or the battery pack from the power tool before making any adjustments, changing accessories, or storing power tools.** Such preventive safety measures reduce the risk of starting the power tool accidentally.

- d) **Store idle power tools out of the reach of children and do not allow persons unfamiliar with the power tool or these instructions to operate the power tool.** Power tools are dangerous in the hands of untrained users.
- e) **Maintain power tools. Check for misalignment or binding of moving parts, breakage of parts and any other condition that may affect the power tool's operation. If damaged, have the power tool repaired before use.** Many accidents are caused by poorly maintained power tools.
- f) **Keep cutting tools sharp and clean.** Properly maintained cutting tools with sharp cutting edges are less likely to bind and are easier to control.
- g) **Use the power tool, accessories and tool bits etc., in accordance with these instructions taking into account the working conditions and the work to be performed.** Use of the power tool for operations different from those intended could result in a hazardous situation.

#### 5) SERVICE

- a) **Have your power tool serviced by a qualified repair person using only identical replacement parts.** This will ensure that the safety of the power tool is maintained.

### **Additional Safety Instructions for Rotary Hammers**

- **Wear ear protectors.** Exposure to noise can cause hearing loss.
- **Use auxiliary handles supplied with the tool.** Loss of control can cause personal injury.
- **Hold power tools by insulated gripping surfaces when performing an operation where the cutting tool may contact hidden wiring or its own cord.** Contact with a "live" wire will make exposed metal parts of the tool "live" and shock the operator.

- **Use clamps or other practical way to secure and support the workpiece to a stable platform.** Holding the work by hand or against your body is unstable and may lead to loss of control.
- **Wear safety goggles or other eye protection.** Hammering operations cause chips to fly. Flying particles can cause permanent eye damage. Wear a dust mask or respirator for applications that generate dust. Ear protection may be required for most applications.
- **Keep a firm grip on the tool at all times. Do not attempt to operate this tool without holding it with both hands.** It is recommended that the side handle be used at all times. Operating this tool with one hand will result in loss of control. Breaking through or encountering hard materials such as re-bar may be hazardous as well. Tighten the side handle securely before use.
- The hammer is only for light chiselling applications.
- The forward/reverse switch must be in the forward position when chiselling.
- Do not use this tool to mix or pump easily combustible or explosive fluids (benzine, alcohol, etc.).
- Do not mix or stir inflammable liquids labelled accordingly.
- **Do not operate this tool for long periods of time.** Vibration caused by hammer action may be harmful to your hands and arms. Use gloves to provide extra cushion and limit exposure by taking frequent rest periods.
- **Do not recondition bits yourself.** Chisel reconditioning should be done by an authorized specialist. Improperly reconditioned chisels could cause injury.
- **Wear gloves when operating tool or changing bits.** Accessible metal parts on the tool and bits may get extremely hot during operation. Small bits of broken material may damage bare hands.
- **Never lay the tool down until the bit has come to a complete stop.** Moving bits could cause injury.
- **Do not strike jammed bits with a hammer to dislodge them.** Fragments of metal or material chips could dislodge and cause injury.
- **Slightly worn chisels can be resharpened by grinding.**
- **Keep the power cord away from the rotating bit. Do not wrap the cord around any part of your body.** An electric cord wrapped around a spinning bit may cause personal injury and loss of control.
- **Air vents often cover moving parts and should be avoided.** Loose clothes, jewellery or long hair can be caught in moving parts.
- **An extension cord must have adequate wire size for safety.** An undersized cord will cause a drop in line voltage resulting in loss of power and overheating. When using more than one extension to make up the total length, be sure each individual extension contains at least the minimum wire size. The following table shows the correct size to use depending on cord length and nameplate ampere rating. If in doubt, use the next heavier gauge. The smaller the gauge number, the heavier the cord.

Voltage (Volts)	Total length of cord in meters (m)			
	120 - 127V	0 - 7	7 - 15	15 - 30
220 - 240V	0 - 15	15 - 30	30 - 60	60 - 100
Rated Ampere range	Minimal cross-sectional area of the cord in meters (mm <sup>2</sup> )			
0 - 6A	1.0	1.5	1.5	2.5
6 - 10A	1.0	1.5	2.5	4.0
10 - 12A	1.5	1.5	2.5	4.0
12 - 16A	2.5	4.0	Not Recommended	

**NOTE:** Do not overheat the bit (discoloration) while grinding a new edge. Badly worn chisels require reforging. Do not reharden and temper the chisel.

**▲ WARNING: Always use eye protection.** All users and bystanders must wear eye protection that conforms to ANSI Z87.1.

**▲ WARNING: Always wear proper personal hearing protection that conforms to ANSI S12.6 (S3.19) during use.** Under some conditions and duration of use, noise from this product may contribute to hearing loss.

**▲ WARNING: ALWAYS use safety glasses.** Everyday eyeglasses are NOT safety glasses. Also use face or dust mask if cutting operation is dusty. ALWAYS WEAR CERTIFIED SAFETY EQUIPMENT:

- ANSI Z87.1 eye protection (CAN/CSA Z94.3),
- ANSI S12.6 (S3.19) hearing protection,
- NIOSH/OSHA/MSHA respiratory protection.

**▲ WARNING:** Some dust created by power sanding, sawing, grinding, drilling, and other construction activities contains chemicals known to cause cancer, birth defects or other reproductive harm. Some examples of these chemicals are:

- lead from lead-based paints,
- crystalline silica from bricks and cement and other masonry products, and
- arsenic and chromium from chemically-treated lumber (CCA).

Your risk from these exposures varies, depending on how often you do this type of work. To reduce your exposure to these chemicals: work in a well ventilated area, and work with approved safety equipment, such as those dust masks that are specially designed to filter out microscopic particles.

- **Avoid prolonged contact with dust from power sanding, sawing, grinding, drilling, and other construction activities.**

**Wear protective clothing and wash exposed areas with soap and water.** Allowing dust to get into your mouth, eyes, or lay on the skin may promote absorption of harmful chemicals.

**▲ WARNING:** Use of this tool can generate and/or disburse dust, which may cause serious and permanent respiratory or other injury. Always use NIOSH/OSHA approved respiratory protection appropriate for the dust exposure. Direct particles away from face and body.

- The label on your tool may include the following symbols. The symbols and their definitions are as follows:

V .....	volts	A.....	amperes
Hz .....	hertz	W.....	watts
min .....	minutes	~ .....	alternating current
== .....	direct current	⌚ .....	alternating or direct current
Ⓛ .....	Class I Construction (grounded)	n <sub>o</sub> .....	no load speed
Ⓜ .....	Class II Construction (double insulated)	⊕ .....	earthing terminal
.../min ...	per minute	▲ .....	safety alert symbol
IPM .....	impact per minute	BPM..	beats per minute
		RPM..	revolutions per minute

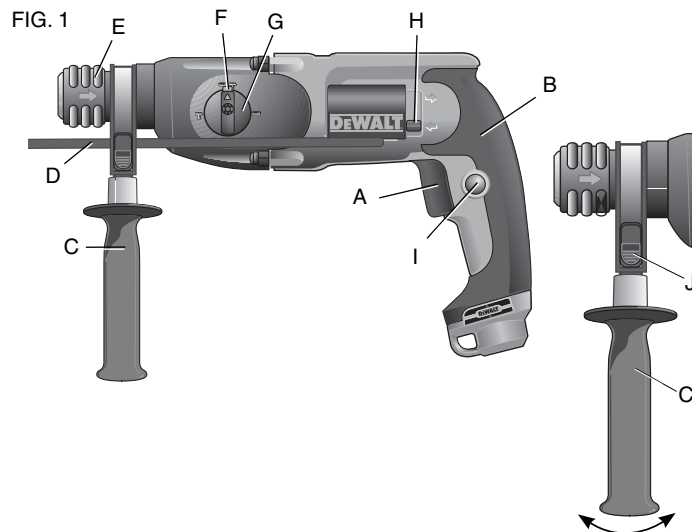
## Motor

Your DEWALT tool is powered by a DEWALT-built motor. Be sure your power supply agrees with the nameplate markings. Voltage decrease of more than 10% will cause loss of power and overheating. All DEWALT tools are factory tested.

## COMPONENTS (Fig. 1)

**⚠ WARNING:** Never modify the power tool or any part of it. Damage or personal injury could result.

- |                                  |                             |
|----------------------------------|-----------------------------|
| A. Variable speed trigger switch | F. Mode selector button     |
| B. Main handle                   | G. Mode selector            |
| C. Side handle                   | H. Reversing lever          |
| D. Depth rod                     | I. Lock-on button           |
| E. SDS Plus® chuck               | J. Depth rod release button |



## INTENDED USE

This heavy-duty rotary hammer has been designed for professional drilling and hammerdrilling, screwdriving and light chipping at various work sites (i.e., construction sites). **DO NOT** use under wet conditions or in presence of flammable liquids or gases.

This heavy-duty rotary hammer is a professional power tool. **DO NOT** let children come into contact with the tool. Supervision is required when inexperienced operators use this tool.

## ASSEMBLY AND ADJUSTMENTS

**⚠ WARNING:** To reduce the risk of injury, turn unit off and disconnect machine from power source before installing and removing accessories, before adjusting or changing set-ups or when making repairs. Be sure the trigger switch is in the OFF position. An accidental start-up can cause injury.

### Side Handle (Fig. 1)

**⚠ WARNING:** To reduce the risk of personal injury, **ALWAYS** operate the tool with the side handle properly installed and securely tightened. Failure to do so may result in the side handle slipping during tool operation and subsequent loss of control. Hold tool with both hands to maximize control.

A side handle comes assembled with this rotary hammer. The side handle (C) can be fitted to suit both right-hand and left-hand users.

### TO ADJUST THE SIDE HANDLE

1. Loosen the side handle (C) by turning it counterclockwise.
2. Rotate the side handle to the desired position.
3. Tighten the side handle by turning it clockwise.

### TO CHANGE SIDES

*For right-hand users:* slide the side handle clamp over the chuck, handle at the left.

*For left-hand users:* slide the side handle clamp over the chuck, handle at the right.

### Trigger Switch (Fig. 1)

To start the rotary hammer, depress the trigger switch (A). To stop rotary hammer, release the switch.

**NOTE:** Use lower speeds for starting holes without a centerpunch, drilling in metal, plastics or ceramics, or driving screws. Higher speeds are better for drilling in masonry for maximum efficiency.

### VARIABLE SPEED

The variable speed trigger switch (A) permits speed control. The farther the trigger switch is depressed, the higher the speed of the drill.

### LOCK-ON BUTTON

**⚠ WARNING:** Be sure to release the locking mechanism before disconnecting the plug from the power supply. Failure to do so will cause the hammerdrill to start immediately the next time it is plugged in. Damage or personal injury could result.

The lock-on button (I) is for use only when the rotary hammer is stationary, mounted in a drill press stand or for chipping applications.

Before using the tool each time, be sure that the lock-on button release mechanism is working freely.

For continuous operation, press and hold the trigger switch (A); press the lock-on button (I); release the trigger switch and then release the lock-on button. The tool will continue to run.

To stop the tool in continuous operation, quickly press and release the trigger switch.

### Reversing Lever (Fig. 1)

The reversing lever (H) is used to reverse the rotary hammer for backing out fasteners or jammed bits in drill-only mode.

**⚠ CAUTION:** When reversing to clear jammed bits, be ready for strong reactive torque.

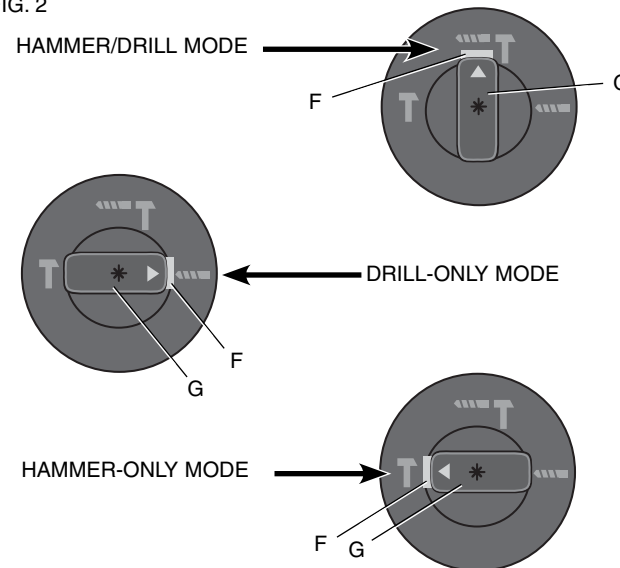
To reverse the rotary hammer, turn it off and align the reversing lever (H) with the yellow arrow pointing backward (viewed when holding drill in operating position).

To position the lever for forward operation, turn the rotary hammer off and align the reversing lever (H) with the yellow arrow pointing forward (viewed when holding drill in operating position).

### Mode Selector (Fig. 2)

**NOTICE:** Tool must come to a complete stop before activating the mode selector button or damage to the tool may result.

FIG. 2





**DRILL-ONLY MODE** 

To use drill-only mode, press mode selector button (F) and turn the mode selector (G) so the yellow arrow points to the corresponding symbol as shown. Use drill-only mode for wood, metal, and plastics.

**HAMMERDRILL MODE** 

To use hammerdrill mode, press the mode selector button (F) and turn the mode selector (G) so the yellow arrow points to the corresponding symbol as shown. Use this mode for masonry drilling.

**HAMMER-ONLY MODE** 

For light chiseling, press the mode selector button (F) and turn the mode selector (G) so the yellow arrow points to the corresponding symbol as shown.

**NOTE:** The yellow arrow on the mode selector **MUST** be aligned with the one of the symbols at all times. There are no operable positions between the positions.

**SDS-plus® Chuck (Fig. 1)**

**⚠ WARNING:** To reduce the risk of serious personal injury, turn tool off and disconnect tool from power source before making any adjustments or removing/installing attachments or accessories.

**⚠ WARNING:** Burn Hazard. ALWAYS wear gloves when changing bits. Accessible metal parts on the tool and bits may get extremely hot during operation. Small bits of broken material may damage bare hands.

**⚠ WARNING:** Do not attempt to tighten or loosen drill bits (or any other accessory) by gripping the front part of the chuck and turning the tool on. Damage to the chuck and personal injury may occur.

**To insert bit,** insert shank of bit about 3/4" (19 mm), no further than 7/8" (22 mm) into chuck. Push and rotate bit until it locks in place. The bit will be securely held.

**To release bit,** pull the chuck sleeve (E) back and remove the bit.

**OPERATION**

**⚠ WARNING:** Always observe the safety instructions and applicable regulations.

**⚠ WARNING:** To reduce the risk of serious personal injury, turn tool off and disconnect tool from power source before making any adjustments or removing/installing attachments or accessories.

**⚠ WARNING:** To reduce the risk of personal injury, ALWAYS ensure workpiece is anchored or clamped firmly. If drilling thin material, use a wood "back-up" block to prevent damage to the material.

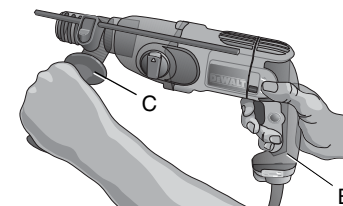
**⚠ WARNING:** To reduce the risk of personal injury, ALWAYS operate the tool with the side handle properly installed and securely tightened. Failure to do so may result in the side handle slipping during tool operation and subsequent loss of control. Hold tool with both hands to maximize control.

**Proper Hand Position (Fig. 3)**

**⚠ WARNING:** To reduce the risk of serious personal injury, ALWAYS use proper hand position as shown.

**⚠ WARNING:** To reduce the risk of serious personal injury, ALWAYS hold securely in anticipation of a sudden reaction.

Proper hand position requires one hand on the side handle (C), with the other hand on the main handle (B).



## Overload Clutch

If the drill bit becomes jammed or caught, the drive to the drill spindle is interrupted by the overload clutch. Because of the forces that occur as a result, always hold the machine securely with both hands and take a firm stance.

## Drilling Tools

The machine is intended for hammerdrilling in concrete, brick and stone. It is also suitable for drilling without impact in wood, metal, ceramic and plastic.

### Drilling (Fig. 1)

**⚠ WARNING:** *To reduce the risk of serious personal injury, turn tool off and disconnect tool from power source before making any adjustments or removing/installing attachments or accessories.*

**⚠ WARNING:** *To reduce the risk of personal injury, ALWAYS ensure workpiece is anchored or clamped firmly. If drilling thin material, use a wood "back-up" block to prevent damage to the material.*

Press mode selector button (F) and turn the mode selector (G) to the drill bit symbol for drilling, to the hammer symbol for hammering or to the hammerdrill symbol for hammerdrilling.

### DRILLING OPERATION

1. For WOOD, use twist bits, spade bits, power auger bits or hole saws. For METAL, use high-speed steel twist drill bits or hole saws. Use a cutting lubricant when drilling metals. The exceptions are cast iron and brass which should be drilled dry. For MASONRY, use carbide-tipped bits or masonry bits. A smooth, even flow of dust indicates the proper drilling rate.
2. Always apply pressure in a straight line with the bit. Use enough pressure to keep the drill bit biting, but do not push hard enough to stall the motor or deflect the bit.

3. Hold tool firmly with both hands to control the twisting action of the drill.

**⚠ WARNING:** *Drill may stall if overloaded causing a sudden twist. Always expect the stall. Grip the drill firmly with both hands to control the twisting action and avoid injury.*

4. **IF DRILL STALLS**, it is usually because it is being overloaded. **RELEASE TRIGGER IMMEDIATELY**, remove drill bit from work, and determine cause of stalling. **DO NOT CLICK TRIGGER OFF AND ON IN AN ATTEMPT TO START A STALLED DRILL – THIS CAN DAMAGE THE DRILL.**
5. To minimize stalling or breaking through the material, reduce pressure on drill and ease the bit through the last fractional part of the hole.
6. Keep the motor running when pulling the bit back out of a drilled hole. This will help prevent jamming.
7. With variable speed drills there is no need to center punch the point to be drilled. Use a slow speed to start the hole and accelerate by squeezing the trigger harder when the hole is deep enough to drill without the bit skipping out.

### DRILLING IN METAL

An SDS Plus® to round shank adaptor chuck is required. Ensure that tool is in drill-only mode. Start drilling with slow speed and increase to full power while applying firm pressure on the tool. A smooth even flow of metal chips indicates the proper drilling rate. Use a cutting lubricant when drilling metals. The exceptions are cast iron and brass which should be drilled dry.

**NOTE:** Large [5/16" to 1/2" (7.9 mm to 12.7 mm)] holes in steel can be made easier if a pilot hole [5/32" to 3/16" (4 mm to 4.8 mm)] is drilled first.

### DRILLING IN WOOD

An SDS Plus® to round shank adaptor chuck is required. Ensure that tool is in drill-only mode. Start drilling with slow speed and increase to full power while applying firm pressure on the tool. Holes in wood

can be made with the same twist drills used for metal. These bits may overheat unless pulled out frequently to clear chips from the flutes. For larger holes, use spade bits, power auger bits, or hole saws. Work that is apt to splinter should be backed up with a block of wood.

### HAMMERSDRILL OPERATION

1. When drilling, use just enough force on the hammer to keep it from bouncing excessively or "rising" off the bit. Too much force will cause slower drilling speeds, overheating, and a lower drilling rate.
2. Drill straight, keeping the bit at a right angle to the work. Do not exert side pressure on the bit when drilling as this will cause clogging of the bit flutes and a slower drilling speed.
3. When drilling deep holes, if the hammer speed starts to drop off, pull the bit partially out of the hole with the tool still running to help clear debris from the hole.
4. For masonry, use carbide-tipped bits or masonry bits. A smooth even flow of dust indicates the proper drilling rate.

### Chipping and Chiselling

1. To switch from hammer drilling to chiselling, first insert the SDS-plus® chisel and check if it is properly locked.
2. When switching from hammer drilling mode to chiselling mode, turn the chisel to the desired position. If you find resistance during mode change, turn the chisel slightly to engage the spindle lock.

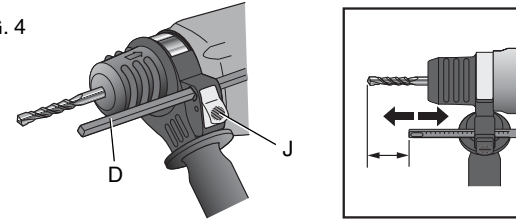
### Depth Rod (Fig. 4)

#### TO ADJUST THE DEPTH ROD

1. Push in and hold the depth rod release button (J) on the side handle.
2. Move the depth rod (D) so the distance between the end of the rod and the end of the bit equals the desired drilling depth.

3. Release the button to lock rod into position. When drilling with the depth rod, stop when end of rod reaches surface of material.

FIG. 4



### MAINTENANCE

Your DEWALT power tool has been designed to operate over a long period of time with a minimum of maintenance. Continuous satisfactory operation depends upon proper tool care and regular cleaning.

**⚠ WARNING:** To reduce the risk of injury, turn unit off and disconnect tool from power source before installing and removing accessories, before making any adjustments or removing/installing attachments or accessories.

### Cleaning

**⚠ WARNING:** Blow dirt and dust out of all air vents with dry air at least once a week. Wear proper ANSI Z87.1 (CAN/CSA Z94.3) eye protection and proper NIOSH/OSHA/MSHA respiratory protection when performing this.

**⚠ WARNING:** Never use solvents or other harsh chemicals for cleaning the non-metallic parts of the tool. These chemicals may weaken the plastic materials used in these parts. Use a cloth dampened only with water and mild soap. Never let any liquid get inside the tool; never immerse any part of the tool into a liquid.

## Lubrication

Your tool was properly lubricated before leaving the factory. In from two to six months, depending upon use, take or send your tool to an authorized service center for a complete cleaning, inspection and lubrication. Tools used constantly on production jobs will need relubrication more often. Also, tools "out of service" for long periods should be relubricated before being put back to work.

## Accessories

**⚠ WARNING:** *Since accessories, other than those offered by DEWALT, have not been tested with this product, use of such accessories with this tool could be hazardous. To reduce the risk of injury, only DEWALT, recommended accessories should be used with this product.*

Recommended accessories for use with your tool are available at extra cost from your local dealer or authorized service center.

### MAXIMUM RECOMMENDED CAPACITIES

#### D25013

Masonry	7/8" (22 mm)
Steel	1/2" (13 mm)
Wood	1-1/8" (30 mm)

#### OPTIMUM CAPACITY

Masonry	5/32"–1/2" (4 mm–13 mm)
---------	----------------------------

## Repairs

To assure product SAFETY and RELIABILITY, repairs, maintenance and adjustment (including brush inspection and replacement) should be performed by authorized service centers or other qualified service personnel, always using identical replacement parts.

## SPECIFICATIONS

### D25013

Voltage:	120 V AC~ / 220 V AC~
Frequency:	50-60 Hz
Watts	650 W
RPM:	0–1 550/min
Beats per minute	0–4 550

### Definiciones: Normas de seguridad

Las siguientes definiciones describen el nivel de gravedad de cada advertencia. Lea el manual y preste atención a estos símbolos.

▲ **PELIGRO:** indica una situación de peligro inminente que, si no se evita, **provocará la muerte o lesiones graves.**

▲ **ADVERTENCIA:** Indica una situación de peligro potencial que, si no se evita, **podría provocar la muerte o lesiones graves**

▲ **ATENCIÓN:** Indica una situación de peligro potencial que, si no se evita, **puede provocar lesiones leves o moderadas.**

**AVISO:** Se refiere a una práctica **no relacionada a lesiones corporales** que de no evitarse **puede resultar en daños a la propiedad.**



**ADVERTENCIA:** para reducir el riesgo de lesiones, lea el manual de instrucciones.

### Advertencias generales de seguridad para las herramientas eléctricas

▲ **ADVERTENCIA:** Lea todas las advertencias de seguridad e instrucciones. El incumplimiento de las advertencias o instrucciones puede provocar descargas eléctricas, incendios o lesiones graves.

### GUARDE LAS ADVERTENCIAS E INSTRUCCIONES PARA PODER CONSULTARLAS EN EL FUTURO

El término "herramienta eléctrica" incluido en todas las advertencias se refiere a su herramienta eléctrica conectada a la red (cable eléctrico) o a su herramienta eléctrica accionada con baterías (inalámbrica).

### 1) SEGURIDAD DEL ÁREA DE TRABAJO

- a) **Mantenga el área de trabajo limpia y bien iluminada.** Las áreas abarrotadas u oscuras propician accidentes.
- b) **No haga funcionar las herramientas eléctricas en atmósferas explosivas, como ambientes donde haya polvo, gases o líquidos inflamables.** Las herramientas eléctricas originan chispas que pueden encender el polvo o producir humo.
- c) **Mantenga alejados a los niños y a los espectadores de la herramienta eléctrica en funcionamiento.** Las distracciones pueden provocar la pérdida de control.

### 2) SEGURIDAD ELÉCTRICA

- a) **Los enchufes de la herramienta eléctrica deben adaptarse a la toma de corriente. Nunca modifique el enchufe de ninguna manera. No utilice ningún enchufe adaptador con herramientas eléctricas con conexión a tierra.** Los enchufes no modificados y que se adaptan a las tomas de corrientes reducirán el riesgo de descarga eléctrica.
- b) **Evite el contacto corporal con superficies con toma de tierra como, por ejemplo, tuberías, radiadores, cocinas y refrigeradores.** Existe mayor riesgo de descarga eléctrica si su cuerpo está puesto a tierra.
- c) **No exponga las herramientas eléctricas a la lluvia ni a condiciones de humedad.** Si entra agua en una herramienta eléctrica, aumentará el riesgo de descarga eléctrica.
- d) **No use el cable indebidamente. Nunca utilice el cable para transportar, tirar o desenchufar la herramienta eléctrica. Mantenga el cable alejado del calor, el aceite, los bordes afilados o las piezas móviles.** Los cables dañados o enredados aumentan el riesgo de descarga eléctrica.
- e) **Al operar una herramienta eléctrica en el exterior, utilice un cable prolongador adecuado para tal uso.** Utilice un cable adecuado para uso en exteriores a fin de reducir el riesgo de descarga eléctrica.

- f) **Si no se puede evitar el uso de una herramienta eléctrica en una zona húmeda, utilice un dispositivo de corriente residual (residual current device, RCD) de seguridad.** El uso de un RCD reduce el riesgo de sufrir una descarga eléctrica.

### 3) SEGURIDAD PERSONAL

- a) **Permanezca alerta, controle lo que está haciendo y utilice el sentido común cuando emplee una herramienta eléctrica. No utilice una herramienta eléctrica si está cansado o bajo el efecto de drogas, alcohol o medicamentos.** Un momento de descuido mientras se opera una herramienta eléctrica puede provocar lesiones personales graves.
- b) **Utilice equipo de seguridad personal. Utilice siempre protección ocular.** El uso de equipo de seguridad, como mascarillas para polvo, calzado de seguridad antideslizante, cascos o protección auditiva en las condiciones adecuadas reducirá las lesiones personales.
- c) **Evite poner en marcha la herramienta involuntariamente. Asegúrese de que el interruptor está apagado antes de conectar la fuente de alimentación y/o la batería, coger o transportar la herramienta.** Transportar herramientas eléctricas con su dedo apoyado sobre el interruptor o enchufar herramientas eléctricas con el interruptor en la posición de encendido puede propiciar accidentes.
- d) **Retire la clavija de ajuste o la llave de tuercas antes de encender la herramienta eléctrica.** Una llave de tuercas o una clavija de ajuste que quede conectada a una pieza giratoria de la herramienta eléctrica puede provocar lesiones personales.
- e) **No se estire demasiado. Conserve el equilibrio y posicione adecuadamente en todo momento.** Esto permite un mejor control de la herramienta eléctrica en situaciones inesperadas.

- f) **Use la vestimenta adecuada. No use ropas holgadas ni joyas. Mantenga el cabello, la ropa y los guantes alejados de las piezas en movimiento.** Las ropas holgadas, las joyas o el cabello largo pueden quedar atrapados en las piezas en movimiento.
- g) **Si se suministran dispositivos para la conexión de accesorios con fines de recolección y extracción de polvo, asegúrese de que estén conectados y que se utilicen correctamente.** El uso del extractor de polvo puede reducir los riesgos relacionados con el polvo.

### 4) USO Y MANTENIMIENTO DE LA HERRAMIENTA ELÉCTRICA

- a) **No fuerce la herramienta eléctrica. Utilice la herramienta eléctrica correcta para el trabajo que realizará.** La herramienta eléctrica correcta hará el trabajo mejor, y de un modo más seguro, a la velocidad para la que fue diseñada.
- b) **No utilice la herramienta eléctrica si no puede encenderla o apagarla con el interruptor.** Las herramientas que no puedan ser controladas con el interruptor constituyen un peligro y deben repararse.
- c) **Desconecte el enchufe de la fuente de alimentación o la batería de la herramienta eléctrica antes de realizar cualquier ajuste, cambio de accesorios o almacenar las herramientas eléctricas.** Estas medidas de seguridad preventivas reducen el riesgo de encender la herramienta eléctrica de forma accidental.
- d) **Guarde la herramienta eléctrica que no esté en uso fuera del alcance de los niños y no permita que otras personas no familiarizadas con ella o con estas instrucciones operen la herramienta.** Las herramientas eléctricas son peligrosas si son operadas por usuarios que no tienen formación.

- e) **Mantenimiento de las herramientas eléctricas.** Revise que no haya piezas en movimiento mal alineadas o trabadas, piezas rotas o cualquier otra situación que pueda afectar el funcionamiento de las herramientas eléctricas. Si encuentra daños, haga reparar la herramienta eléctrica antes de utilizarla. Se producen muchos accidentes a causa de las herramientas eléctricas que carecen de un mantenimiento adecuado.
- f) **Mantenga las herramientas de corte afiladas y limpias.** Las herramientas de corte con mantenimiento adecuado y con los bordes de corte afilados son menos propensas a trabarse y son más fáciles de controlar.
- g) **Utilice las herramientas eléctricas, sus accesorios y piezas, etc. de acuerdo con las presentes instrucciones, teniendo siempre en cuenta las condiciones de trabajo y el trabajo que deba llevar a cabo.** El uso de la herramienta eléctrica para operaciones diferentes de aquellas para las que fue diseñada podría originar una situación peligrosa.

#### 5) MANTENIMIENTO

- a) **Solicite a una persona cualificada en reparaciones que realice el mantenimiento de su herramienta eléctrica y que solo utilice piezas de repuesto idénticas.** Esto garantizará la seguridad de la herramienta eléctrica.

#### **Instrucciones de seguridad adicionales para los rotomartillos**

- **Utilice protectores auditivos.** La exposición a ruidos puede causar pérdida auditiva.
- **Utilice los mangos auxiliares que vienen con la herramienta.** Perder el control de la herramienta podría causar lesiones corporales.
- **Sostenga la herramienta eléctrica por sus superficies de empuñadura aisladas cuando realice una operación en la cual la herramienta para cortar pudiera entrar en contacto**

**con instalaciones eléctricas ocultas o con su propio cable.** El contacto con un conductor "activo" hará que las piezas metálicas de la herramienta que estén expuestas a él conduzcan electricidad y que el operador reciba una descarga eléctrica.

- **Use abrazaderas u otra manera práctica de fijar y sujetar la pieza de trabajo a una plataforma estable.** Sujetar la pieza con la mano o contra el cuerpo es inestable y resultará en que pierda el control.
- **Lleve lentes de seguridad u otra protección ocular.** Las operaciones de martilleo provocan la expulsión de virutas. Las partículas despedidas pueden provocar lesiones irreversibles en los ojos. Lleve una mascarilla antipolvo o un respirador cuando realice aplicaciones que generen polvo. En la mayoría de las aplicaciones puede ser necesaria una protección auditiva.
- **Mantenga siempre la herramienta bien sujeta. No opere la herramienta si no puede sujetarla con ambas manos.** Es recomendable usar siempre el mango lateral. Si opera esta herramienta con una sola mano, perderá el control de la misma. Atravesar o topar con materiales duros, tales como un refuerzo posterior, también podría resultar peligroso. Ajuste bien el mango lateral antes de usar la herramienta.
- El martillo sólo debe utilizarse para aplicaciones de cincelado ligeras.
- El selector de avance/reversa debe encontrarse en posición de avance cuando use la herramienta para cincelar.
- No utilice esta herramienta para mezclar o mover con mayor facilidad líquidos combustibles o explosivos (bencina, alcohol, etc.).
- No mezcle ni remueva líquidos categorizados como inflamables.
- **No opere esta herramienta durante períodos largos de tiempo.** La vibración provocada por la acción de percusión



- puede ser peligrosa para sus manos y brazos. Utilice guantes para mayor amortiguación y descanse con frecuencia para limitar el riesgo de exposición.
- **No renueve las brocas usted mismo.** La renovación de las brocas debe realizarla un especialista autorizado. Una broca mal renovada puede provocar lesiones.
  - **Lleve guantes al operar la herramienta y al cambiar las brocas.** Las piezas metálicas de la herramienta y las brocas pueden calentarse mucho durante la operación. Los pequeños trozos de material roto pueden dañar las manos desprotegidas.
  - **Nunca suelte la herramienta hasta que la broca haya dejado de girar totalmente.** Las brocas en movimiento pueden provocar lesiones.
  - **Si una broca se atasca, no la golpee con un martillo para desbloquearla.** Podrían saltar fragmentos de metal o virutas de material y provocar lesiones.
  - **Las brocas ligeramente desgastadas pueden afilarse de nuevo.**
  - **Mantenga el cable alejado de la broca en movimiento. No enrolle el cable alrededor de ninguna parte de su cuerpo.** Un cable eléctrico enrollado alrededor de una broca que gira puede provocar lesiones y pérdida de control.
  - **Los orificios de ventilación suelen cubrir piezas en movimiento, por lo que también se deben evitar.** Las partes móviles pueden atrapar las prendas de vestir sueltas, las joyas y el cabello.
  - **Los hilos del alargador deben ser de un calibre apropiado para su seguridad.** Un cable de un calibre insuficiente causará una caída en la tensión de la línea dando por resultado una pérdida de energía y sobrecalentamiento. Cuando se utilice más de un alargador para completar el largo total, asegúrese que los hilos de cada alargador tengan el calibre mínimo. La tabla siguiente muestra el tamaño correcto a utilizar, dependiendo

de la longitud del cable y del amperaje nominal de la placa de identificación. Si tiene dudas sobre cuál calibre usar, use un calibre mayor.

Tensión (Volts)	Longitud del cable en metros (m)			
120 - 127V	0 - 7	7 - 15	15 - 30	30 - 50
220 - 240V	0 - 15	15 - 30	30 - 60	60 - 100
Corriente nominal (Ampéres)	Sección nominal mínima del cable en milímetros cuadrados (mm <sup>2</sup> )			
0 - 6A	1,0	1,5	1,5	2,5
6 - 10A	1,0	1,5	2,5	4,0
10 - 12A	1,5	1,5	2,5	4,0
12 - 16A	2,5	4,0	No recomendado	

**NOTA:** No sobrecaliente la broca (decoloración) mientras la afila de nuevo. Las brocas muy gastadas precisan un reforjado. No reendurezca ni temple la broca.

**⚠ADVERTENCIA:** Si el enchufe o el cable de alimentación están dañados lo debe reemplazar el fabricante o su representante o por una persona igualmente calificada para evitar peligro.

**⚠ADVERTENCIA:** Siempre use protección ocular. Todos los usuarios y personas circunstantes deben llevar protección ocular en conformidad con ANSI Z87.1.

**⚠ADVERTENCIA:** Siempre lleve la debida protección auditiva personal en conformidad con ANSI S12.6 (S3.19) durante el uso de esta herramienta. Bajo algunas condiciones y duraciones de uso, el ruido producido por este producto puede contribuir a la pérdida auditiva.

**⚠ADVERTENCIA:** Use SIEMPRE lentes de seguridad. Los anteojos de uso diario NO son lentes de seguridad. Utilice también máscaras faciales o para polvo si los cortes producen polvillo. UTILICE SIEMPRE EQUIPOS DE SEGURIDAD CERTIFICADOS:

- Protección para los ojos ANSI Z87.1 (CAN/CSA Z94.3),
- Protección auditiva ANSI S12.6 (S3.19),



- Protección respiratoria según las normas NIOSH/OSHA/MSHA.

**⚠ADVERTENCIA: Parte del polvo creado al lijar, aserruchar, moler o perforar con máquina, así como al realizar otras actividades de la construcción, contiene sustancias químicas que se sabe producen cáncer, defectos congénitos u otras afecciones reproductivas. Algunos ejemplos de esas sustancias químicas son:**

- plomo de pinturas a base de plomo,
- sílice cristalizado de ladrillos y cemento y otros productos de albañilería, y
- arsénico y cromo de la madera químicamente tratada (CCA).

El riesgo al contacto con estas sustancias varía, según la frecuencia en que se haga este tipo de trabajo. Para reducir la exposición a esas sustancias químicas: trabaje en un área bien ventilada, y trabaje con equipos de seguridad aprobados, tales como máscaras contra el polvo especialmente diseñadas para filtrar las partículas microscópicas.

- **Evite el contacto prolongado con polvos originados por lijar, aserrar, esmerilar, taladrar y otras actividades constructivas. Vista ropas protectoras y lave las áreas expuestas con agua y jabón.** Permitir que el polvo se introduzca en su boca, ojos, o dejarlo sobre la piel promueve la absorción de químicos dañinos.

**⚠ADVERTENCIA:** La utilización de esta herramienta puede originar polvo o dispersarlo, lo que podría causar daños graves y permanentes al sistema respiratorio, así como otras lesiones. Siempre use protección respiratoria aprobada por NIOSH/OSHA, apropiada para su uso en condiciones de exposición al polvo. Procure que las partículas no se proyecten directamente sobre su rostro o su cuerpo.

- La etiqueta de la herramienta puede incluir los siguientes símbolos. A continuación se indican los símbolos y sus definiciones:

V .....	voltios	A .....	amperios
Hz .....	hertz	W .....	vatios
min .....	minutos	~ .....	corriente alterna
== .....	corriente directa	⋈ .....	corriente alterna o directa
Ⓜ .....	Construcción Clase I (con conexión a tierra)	n <sub>0</sub> .....	velocidad sin carga
Ⓜ .....	Construcción Clase II (con aislamiento doble)	⊖ .....	terminal a tierra
RPM....	revoluciones o reciprocidad por minuto	⚠ .....	símbolo de alerta de seguridad
GPM ...	golpes por minuto	.../min ...	por minuto
		IPM .....	impactos por minutos

## Motor

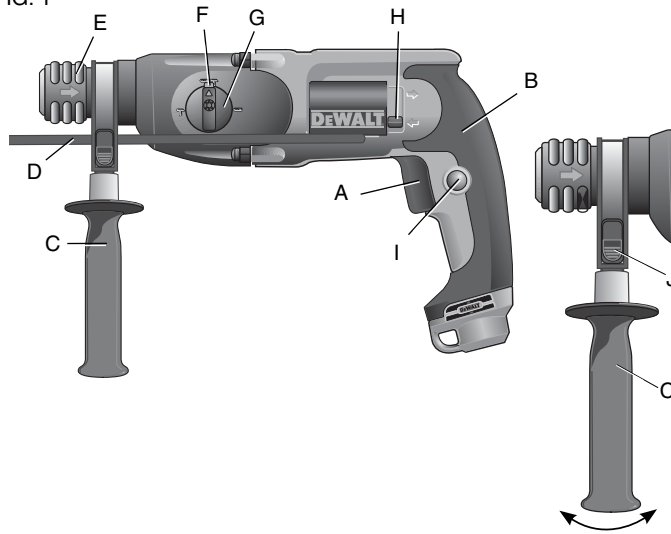
Esta herramienta DEWALT está impulsada por un motor fabricado por DEWALT. Compruebe que el suministro eléctrico concuerde con el indicado en la placa de características. Una reducción del voltaje superior al 10% provocará pérdida de potencia y sobrecalentamiento. Todas las herramientas DEWALT se prueban de fábrica.

## DESCRIPCIÓN (FIG. 1)

**⚠ADVERTENCIA:** Nunca modifique la herramienta eléctrica ni ninguna pieza de esta. Puede producir daños o lesiones corporales.

- |   |   |
|---|---|
| A. Gatillo selector de velocidad variable | G. Selector de modo                                 |
| B. Mango principal                        | H. Palanca de reversa                               |
| C. Mango lateral                          | I. Botón de bloqueo en encendido (sólo con D25013)  |
| D. Varilla de profundidad                 | J. Botón de liberación de la varilla de profundidad |
| E. Broquero/Mandril SDS Plus®             |   |
| F. Interruptor selector de modo           |   |

FIG. 1



### USO DEBIDO

Este rotomartillo para trabajo pesado ha sido diseñado para el taladrado, el taladrado con el percusor, el atornillado y el corte por capas ligero a un nivel profesional en varios sitios de trabajo (por ejemplo, sitios de construcción). **NO** utilice la herramienta en condiciones húmedas o en la presencia de líquidos o gases inflamables.

Este rotomartillo para trabajo pesado es una herramienta eléctrica de uso rudo. **NO** permita que un niño juegue con ellos. Si el operador no tiene experiencia operando esta herramienta, su uso deberá ser supervisado.

### MONTAJE Y AJUSTES

**⚠ ADVERTENCIA:** Para reducir el riesgo de lesiones, apague y desconecte la máquina de la fuente de energía antes de instalar y de retirar los accesorios, antes de regular o cambiar los ajustes o cuando se realicen reparaciones. Compruebe que el interruptor esté en la posición OFF. Un encendido accidental puede causar lesiones.

#### Mango lateral (Fig. 1)

**⚠ ADVERTENCIA:** Para reducir el riesgo de lesiones corporales, **SIEMPRE** opere la herramienta con el mango lateral debidamente instalado y ajustado. El incumplimiento con lo anterior podría resultar en que el mango lateral se suelte durante la operación de la herramienta y que el operador pierda el control como consecuencia. Sostenga la herramienta con ambas manos para maximizar control.

El mango lateral viene ensamblado a este rotomartillo. El mango lateral (C) puede ser instalado para acomodar zurdos y diestros.

#### PARA AJUSTAR EL MANGO LATERAL

1. Afloje el mango lateral (C) girándolo en el sentido contrario a las manecillas del reloj.
2. Rote el mango lateral a la posición deseada.
3. Ajuste el mango lateral girándolo en el sentido de las manillas del reloj.

#### PARA CAMBIAR DE LADO

*Para usuarios diestros:* deslice el soporte del mango lateral por encima del broquero/mandril, con el pomo hacia la izquierda.

*Para usuarios zurdos:* deslice el soporte del mango lateral por encima del broquero/mandril, con el pomo hacia la derecha.

#### Interruptor de gatillo (Fig. 1)

Para encender el rotomartillo, presione el interruptor de gatillo (A). Para detener el rotomartillo, suelte el interruptor.

**NOTA:** Use velocidades menores para perforar el comienzo de orificios sin guía para indicar el centro, perforar en metal, plástico o cerámica o atornillar. Las velocidades altas son preferibles para obtener la máxima eficacia en la perforación de mamposterías.

#### VELOCIDAD VARIABLE

El gatillo selector de velocidad variable (A) permite controlar la velocidad. Cuanto más fuerte se pulse el gatillo selector, mayor será la velocidad de taladrado.

#### BOTÓN DE BLOQUEO EN ENCENDIDO (SÓLO CON D25013)

**ADVERTENCIA:** Suelte el mecanismo de trabado antes de desconectar la clavija de la toma de corriente. Si no lo hace el rotomartillo se encenderá cuando vuelva a conectarlo, con el posible riesgo de daños o lesiones.

El botón de bloqueo en encendido (I) se usa sólo cuando el rotomartillo está estacionario, montado en una base de soporte vertical o usado en aplicaciones de corte por capas.

Asegúrese de que el botón de bloqueo en encendido se mueva con normalidad cada vez que desee usar la herramienta.

Para una operación continua, presione y sostenga el interruptor de gatillo (A); presione el botón de bloqueo en encendido (I); suelte el interruptor de gatillo y luego suelte el botón de bloqueo en encendido. La herramienta seguirá funcionando.

Para detener la herramienta cuando esté en funcionamiento continuo, presione y suelte el interruptor de gatillo rápidamente.

#### Palanca de reversa (Fig. 1)

La palanca de reversa (H) se usa para invertir la marcha del rotomartillo con el fin de sacar clavos o desatascar brocas en el modo de sólo taladrado.

**ATENCIÓN:** Cuando invierta la marcha para desatascar brocas, esté preparado para el fuerte par reactivo que se producirá.

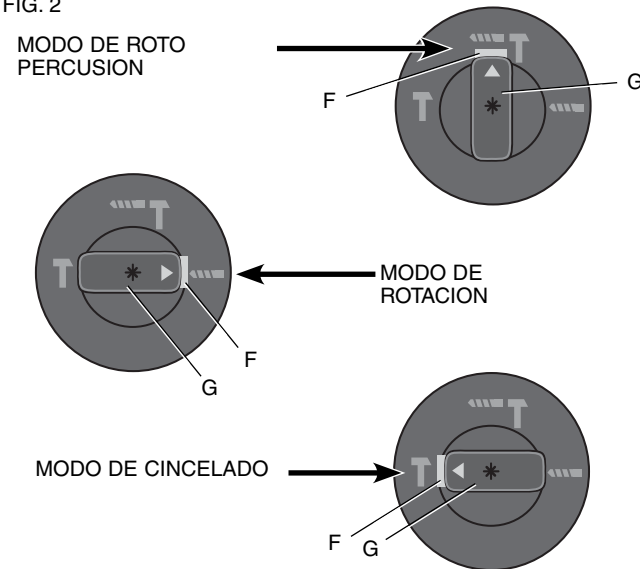
Para invertir la marcha del rotomartillo, apáguelo y alinee la palanca de reversa (H) con la flecha amarilla que apunta hacia atrás (se ve sujetando el taladro en la posición de operación).

Para operar la unidad hacia delante, apague el rotomartillo y mueva la palanca de reversa (H) de forma que la flecha amarilla apunte hacia delante (se ve sujetando el taladro en la posición de operación).

#### Selector de modo (Fig. 2)

**AVISO:** La herramienta debe estar completamente parada antes de activar el botón del actuador de modo, a fin de evitar daños a la herramienta.

FIG. 2



### MODO DE SÓLO TALADRADO

Para utilizar el modo de sólo taladrado, presione el botón de selector de modo (F) y gire el selector de modo (G) de forma que la flecha amarilla apunte al correspondiente símbolo, tal como se muestra. Utilice el modo de sólo taladrado en madera, metal y plástico.

### MODO DE TALADRO PERCUTOR

Para utilizar el modo de taladro percutor, presione el botón de selector de modo (F) y gire el selector de modo (G) de forma que la flecha amarilla apunte al correspondiente símbolo, tal como se muestra. Utilice este modo para perforar mamposterías.

### MODO DE SÓLO MARTILLADO

Para cincelados suaves, presione el botón de selector de modo (F) y gire el selector de modo (G) de forma que la flecha amarilla apunte al correspondiente símbolo, tal como se muestra.

**NOTA:** La flecha amarilla del selector de modo **DEBE** estar siempre alineada con alguno de los símbolos. No hay posiciones de operación entre ellos.

### Broquero/mandril SDS Plus® (Fig. 1)

**⚠ADVERTENCIA:** Para reducir el riesgo de lesiones corporales graves, apague la herramienta y desconéctela de la fuente de alimentación antes de realizar ajustes o de quitar o poner accesorios.

**⚠ADVERTENCIA:** Peligro de quemaduras. SIEMPRE use guantes al cambiar las brocas. Las piezas metálicas de la herramienta y las brocas pueden calentarse mucho durante la operación. Los pequeños trozos de material roto pueden dañar las manos desprotegidas.

**⚠ADVERTENCIA:** No intente ajustar o soltar las brocas (ni ningún otro accesorio) sujetando la parte frontal del broquero/mandril y encendiendo la herramienta. Esto podría dañar el broquero/mandril y causar lesiones corporales.

Para insertar la broca, inserte el vástago aproximadamente 19 mm (3/4"), no más de 22 mm (7/8") en el broquero/mandril. Empuje y gire la broca hasta que encaje en la posición correcta. La broca quedará firmemente ajustada.

Para soltar la broca, tire hacia atrás el broquero/mandril (E) y retírela.

### FUNCIONAMIENTO

**⚠ADVERTENCIA:** Respete siempre las instrucciones de seguridad y la reglamentación aplicable.

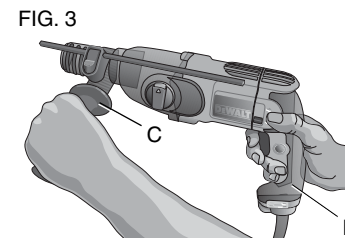
**⚠ADVERTENCIA:** Para reducir el riesgo de lesiones corporales graves, apague la herramienta y desconéctela de la fuente de alimentación antes de realizar ajustes o de quitar o poner accesorios.

**⚠ADVERTENCIA:** Para reducir el riesgo de lesiones corporales, SIEMPRE asegúrese de que la pieza de trabajo esté debidamente sujeta. Si va a perforar un material delgado, utilice un bloque de madera como "respaldo" para evitar dañarlo.

**⚠ADVERTENCIA:** Para reducir el riesgo de lesiones corporales, SIEMPRE opere la herramienta con el mango lateral debidamente instalado y ajustado. El incumplimiento con lo anterior podría resultar en que el mango lateral se suelte durante la operación de la herramienta y que el operador pierda el control como consecuencia. Sostenga la herramienta con ambas manos para maximizar control.

### Bien colocar las manos (Fig. 3)

**⚠ADVERTENCIA:** Para reducir el riesgo de lesiones personales, SIEMPRE coloque bien las manos, tal como se muestra.



**⚠ADVERTENCIA:** Para reducir el riesgo de lesiones personales, **SIEMPRE** debe de sujetar la herramienta correctamente para anticipar reacciones súbitas.

Mantenga una mano sobre el mango lateral (C) y la otra sobre el mango principal (B) para sujetar la máquina correctamente.

### **Embrague de sobrecarga**

Si se traba o se engancha la broca, el embrague de sobrecarga interrumpe el trayecto del eje de la broca. Debido a las fuerzas resultantes, siempre debe de mantener las dos manos sobre la herramienta y adoptar una postura fija.

### **Taladros (Fig. 1)**

Esta herramienta ha sido diseñada para el taladrado con el percusor en concreto, ladrillos y piedras. También puede usarlo para taladrar sin el percusor en madera, metal, cerámica y plástico.

### **Taladrado**

**⚠ADVERTENCIA:** Para reducir el riesgo de lesiones corporales graves, apague la herramienta y desconéctela de la fuente de alimentación antes de realizar ajustes o de quitar o poner accesorios.

**⚠ADVERTENCIA:** Para reducir el riesgo de lesiones corporales, **SIEMPRE** asegúrese de que la pieza de trabajo esté debidamente sujeta. Si va a perforar un material delgado, utilice un bloque de madera como "respaldo" para evitar dañarlo.

Presione el botón de selector de modo (F) y gire el selector de modo (G) hasta que apunte al símbolo de la broca para el taladrado, al símbolo del martillo para usar el percusor o al símbolo del taladro percusor para el taladrado con el percusor.

### **FUNCIONAMIENTO DE TALADRADO**

1. Para MADERA, utilice brocas helicoidales, brocas de horquilla, brocas de berbiquí o brocas de sierra. Para Metal, utilice brocas helicoidales de acero para alta velocidad o brocas de sierra.

Emplee un lubricante para corte cuando taladre en metales. Las excepciones son el hierro colado y el latón, que se deben taladrar en seco. Para MAMPOSTERÍA, use brocas con puntas de carburo o brocas de mampostería. Un flujo uniforme y suave de polvo indica que se está taladrando a la velocidad adecuada.

2. Aplique presión al taladro en línea recta con la broca. Haga suficiente presión para que la broca siga perforando, pero no tanta como para que el motor se atasque o la broca se desvíe.
3. Sujete el taladro firmemente para controlar la fuerza de torsión de la broca.

**⚠ADVERTENCIA:** Si se sobrecarga el taladro, el motor podría atascarse y causar una torsión repentina. Siempre anticipe que esto suceda. Sujete firmemente el taladro con ambas manos para controlar la acción de torsión y evitar lesiones.

4. **SI EL TALADRO SE ATASCA**, esto probablemente se deberá a una sobrecarga. **SUELTE EL GATILLO DE INMEDIATO**, retire la broca de la pieza de trabajo y determine la causa del atascamiento. **NO APRIETE Y SUELTE REPETIDAMENTE EL GATILLO PARA INTENTAR DESATASCAR LA BROCA, YA QUE SE PODRÍA DAÑAR EL TALADRO.**
5. Para evitar que se atasque el taladro o que atravesase el material, reduzca la presión y deje ir suavemente la broca hacia el final del orificio.
6. Haga funcionar el motor al retirar la broca del interior del orificio. Esto evitará que se atasque.
7. Con los taladros de velocidad variable no hay necesidad de hacer una marca de centrado. Utilice una velocidad menor para comenzar el orificio y acelere, presionando más el gatillo, cuando el orificio tenga la profundidad suficiente para evitar que la broca se salga.

### TALADRADO EN METAL

Se necesita un adaptador de broqueros/mandriles de SDS Plus® a vástago redondo. Compruebe que la herramienta esté en modo de sólo taladrado. Inicie la perforación a baja velocidad y vaya aumentándola hasta la máxima potencia mientras aplica presión firme en la herramienta. El flujo uniforme y suave de virutas indica que se taladra a la velocidad adecuada. Emplee un lubricante para corte cuando taladre en metales. Las excepciones son el hierro colado y el latón, que se deben taladrar en seco.

**NOTA:** Se pueden hacer orificios grandes en acero [7.9 mm a 12.7 mm (5/16" a 1/2")]. Se pueden hacer con mayor facilidad si se taladra primero un orificio piloto [4 mm a 4.8 mm) (5/32" a 3/16").

### TALADRADO EN MADERA

Se necesita un adaptador de broqueros/mandriles de SDS Plus® a vástago redondo. Compruebe que la herramienta esté en modo de sólo taladrado. Inicie la perforación a baja velocidad y vaya aumentándola hasta la máxima potencia mientras aplica presión firme en la herramienta. Se puede taladrar la madera con las mismas brocas helicoidales que se utilizan para el metal. Estas brocas pueden sobrecalentarse a menos que se saquen con frecuencia para limpiarlas de virutas. Para agujeros más grandes, utilice brocas de horquilla, brocas de berbiquí o brocas de sierra. Los trabajos susceptibles de astillarse deben respaldarse con un bloque de madera.

### FUNCIONAMIENTO DE TALADRO PERCUTOR

1. Cuando taladree, use la fuerza necesaria en el martillo para evitar que rebote excesivamente o que "sobrepase" la broca. Si usa demasiada fuerza, la velocidad de taladrado será menor, se sobrecalentará la herramienta y el índice de taladrado será menor también.
2. Taladree en forma recta, manteniendo la broca en un ángulo recto en relación con la pieza. No ejerza presión lateral en la broca mientras taladree pues la broca podría atorarse y disminuir la velocidad de taladrado.

3. Cuando perforo orificios profundos, si la velocidad del martillo empieza a disminuir, retire parcialmente la broca del orificio mientras la herramienta siga andando para ayudar a limpiar de desechos el orificio.
4. Para mampostería, use brocas con puntas de carburo o brocas de mampostería. Un flujo uniforme y suave de polvo indica que se está taladrando a la velocidad adecuada.

### Cincelado

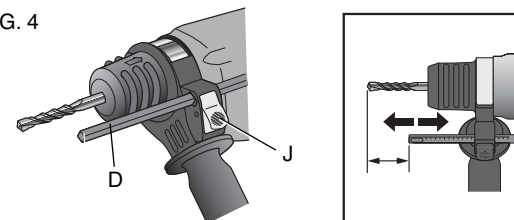
1. Para cambiar el taladro de percusión a la modalidad para cincelar, inserte primero el cincel SDS Plus® y verifique que quede debidamente ajustado.
2. Cuando cambie de modalidades entre la de taladrado de perforación y cincelado gire el cincel a la posición deseada. Si encuentra resistencia al cambiar la modalidad, voltee el cincel ligeramente para activar el bloqueador del husillo.

### Varilla de profundidad (Fig. 4)

#### PARA AJUSTAR LA VARILLA DE PROFUNDIDAD

1. Mantenga presionado el botón de liberación de la varilla de profundidad (J) sobre el mango lateral.
2. Mueva la varilla de profundidad (D) de forma que la distancia entre el final de ésta y el final de la broca sea igual a la profundidad de taladrado deseada.

FIG. 4



- Suelte el botón para fijar la varilla en su posición. Cuando utilice la varilla de profundidad, deténgase cuando el extremo de ésta alcance la superficie del material.

### MANTENIMIENTO

Su herramienta DEWALT ha sido diseñada para funcionar durante un largo período con un mínimo de mantenimiento. Un funcionamiento continuo satisfactorio depende del cuidado adecuado de la herramienta y de una limpieza periódica.

**⚠ ADVERTENCIA:** Para minimizar el riesgo de graves lesiones personales, apague la herramienta y desconecte la batería antes de realizar ajustes o quitar/installar los acoples o accesorios. Un encendido accidental puede causar lesiones.

### Limpieza

**⚠ ADVERTENCIA:** Limpie la suciedad y el polvo de las rejillas de ventilación con aire seco al menos una vez por semana. Lleve protección ocular ANSI Z87.1 (CAN/CSA Z94.3) debida y protección respiratoria NIOSH/OSHA/MSHA debida cuando haga esto.

**⚠ ADVERTENCIA:** Nunca utilice solventes u otros químicos fuertes cuando limpie las piezas no metálicas de la herramienta. Estos químicos pueden debilitar los materiales de plástico utilizados en estas piezas. Use un paño humedecido con agua y jabón suave. Jamás permita que le entre líquido a la herramienta; nunca sumerja ninguna parte de la herramienta.

### Lubricación

Su herramienta fue debidamente lubricada antes de dejar la fábrica. Lleve o envíe la herramienta a un centro de servicio certificado en dos a seis meses, dependiendo del nivel de uso para que se le haga una limpieza e inspección minuciosa. Las herramientas utilizadas constantemente en tareas de producción pueden requerir una lubricación más frecuente. Las herramientas que no son utilizadas por períodos largos de tiempo deberían volverse a lubricar antes de usarse nuevamente.

### Accesorios

**⚠ ADVERTENCIA:** Dado que algunos accesorios, diferentes de los ofrecidos por DEWALT, no se han probado con este producto, el empleo de tales accesorios podría constituir un riesgo. Para reducir el riesgo de lesiones, sólo deben usarse con el producto los accesorios recomendados DEWALT.

Si desea más información sobre los accesorios adecuados, consulte a su distribuidor.

#### CAPACIDADES MÁXIMAS RECOMENDADAS

	D25013
Mampostería	22 mm (7/8")
Acero	13 mm (1/2")
Madera	30 mm (1-1/8")

#### CAPACIDAD ÓPTIMA

Mampostería	4 mm–13 mm (5/32"–1/2")
-------------	-------------------------

### Reparaciones

Para garantizar la SEGURIDAD y la CONFIABILIDAD, deberán hacerse reparaciones, mantenimiento y ajustes de esta herramienta en los centros autorizados de servicio DEWALT u otras organizaciones autorizadas. Estas organizaciones prestan servicio a las herramientas DEWALT y emplean siempre refacciones legítimas DEWALT.

#### ESPECIFICACIONES

	D25013-B3	D25013-B2	D205013-AR
Voltaje:	120 V~	220V ~	230V ~
Frecuencia:	50-60 Hz	50-60 Hz	50 Hz
Vatios	650 W	650 W	650 W
RPM:	0–1 550/min	0–1 550/min	0–1 550/min
Impactos por minuto:	0–4 550/ipm	0–4 550/ipm	0–4 550/ipm



### Definições: Diretrizes de Segurança

As definições abaixo apresentadas descrevem o grau de gravidade correspondente a cada palavra de advertência. Leia cuidadosamente o manual e preste atenção a estes símbolos.

**▲ PERIGO:** Indica uma situação de risco iminente que, se não for evitada, resultará em morte ou ferimentos graves.

**▲ AVISO:** Indica uma situação de risco potencial que, se não evitada, poderá resultar em morte ou ferimentos graves.

**▲ CUIDADO:** Indica uma situação de risco potencial que, se não evitada, poderá resultar em ferimentos leves ou moderados.

**AVISO:** Se refere a una práctica **no relacionada a lesiones corporales** que de no evitarse **puede** resultar en **daños a la propiedad**.



**AVISO:** para reduzir o risco de ferimentos, leia o manual de instruções.

### Regras Gerais de Segurança

**▲ AVISO!** Leia todas as instruções. Falha no seguir de todas as instruções listadas abaixo pode resultar em choque elétrico, fogo e/ou em ferimento sério. O termo "ferramenta" em todos os avisos listados abaixo referem-se a ferramenta alimentada através de seu cordão ou a ferramenta operada a bateria (sem cordão).

### GUARDE ESTAS INSTRUÇÕES

#### 1) ÁREA DE TRABALHO

- a) **Mantenha a área de trabalho limpa e iluminada.** As áreas desorganizadas e escuras são um convite aos acidentes.

- b) **Não opere ferramentas em atmosferas explosivas, como na presença de líquidos inflamáveis, gases ou poeira.** As ferramentas criam faíscas que podem inflamar a poeira ou os vapores.
- c) **Mantenha crianças e visitantes afastados ao operar uma ferramenta.** As distrações podem fazer você perder o controle.

#### 2) SEGURANÇA ELÉTRICA

- a) **Os plugues da ferramenta devem ser compatíveis com as tomadas. Nunca modifique o plugue. Não use nenhum plugue adaptador com as ferramentas aterradas.** Os plugues sem modificações aliados a utilização de tomadas compatíveis reduzirão o risco de choque elétrico
- b) **Evite o contato do corpo com superfícies ligadas ao terra ou aterradas tais como as tubulações, radiadores, escalas e refrigeradores.** Há um aumento no risco de choque elétrico se seu corpo for ligado ao terra ou aterramento.
- c) **Não exponha a ferramentas à chuva ou às condições úmidas.** A água entrando na ferramenta aumentará o risco de choque elétrico.
- d) **Não force o cabo elétrico. Nunca use o cabo elétrico para carregar, puxar ou o para desconectar a ferramenta da tomada. Mantenha o cabo elétrico longe do calor, óleo, bordas afiadas ou das partes em movimentos.** Os cabos danificados ou emaranhados aumentam o risco de choque elétrico.
- e) **Ao operar uma ferramenta ao ar livre, use um cabo de extensão apropriado para o uso ao ar livre.** O uso de um cabo apropriado ao ar livre reduz o risco de choque elétrico.

#### 3) SEGURANÇA PESSOAL

- a) **Fique atento, olhe o que você está fazendo e use o bom senso ao operar uma ferramenta. Não use a ferramenta**



- quando você estiver cansado ou sob a influência de drogas, álcool ou de medicamentos. Um momento de desatenção enquanto opera uma ferramenta pode resultar em grave ferimento pessoal.*
- b) Use equipamento de segurança. Sempre use óculos de segurança.** O equipamento de segurança tais como a máscara contra a poeira, sapatos de segurança antiderrapantes, capacete de segurança, ou protetor auricular usados em condições apropriadas reduzirão os ferimentos pessoais.
  - c) Evite acidente inicial. Assegure que o interruptor está na posição desligada antes de conectar o plugue na tomada.** Carregar a ferramentas com seu dedo no interruptor ou conectar a ferramenta que apresenta o interruptor na posição “ligado” são um convite à acidentes.
  - d) Remova qualquer chave de ajuste antes de ligar a ferramenta.** Uma chave de boca ou de ajuste unida a uma parte rotativa da ferramenta pode resultar em ferimento pessoal.
  - e) Não force além do limite. Mantenha o apoio e o equilíbrio adequado todas as vezes que utilizar a ferramenta.** Isto permite melhor controle da ferramenta em situações inesperadas.
  - f) Vista-se apropriadamente. Não use roupas demasiadamente largas ou jóias.** Mantenha seus cabelos, roupas e luvas longe das peças móveis. A roupa folgada, jóias ou cabelos longos podem ser presos pelas partes em movimento.
  - g) Se os dispositivos são fornecidos com conexão para extração e coleta de pó, assegure que estes estão conectados e usados corretamente.** O uso destes dispositivos pode reduzir riscos relacionados a poeira.

#### 4) USO E CUIDADOS DA FERRAMENTA

- a) Não force a ferramenta. Use a ferramenta correta para sua aplicação.** A ferramenta correta fará o trabalho melhor e mais seguro se utilizada dentro daquilo para a qual foi projetada.
- b) Não use a ferramenta se o interruptor não ligar e desligar.** Qualquer ferramenta que não pode ser controlada com o interruptor é perigosa e deve ser reparada.
- c) Desconecte o plugue da tomada antes de fazer qualquer tipo de ajuste, mudança de acessórios ou armazenamento de ferramentas.** Tais medidas de segurança preventivas reduzem o risco de se ligar a ferramenta acidentalmente.
- d) Guarde as ferramentas fora do alcance das crianças e não permitam que pessoas não familiarizadas com a ferramenta ou com estas instruções operem a ferramenta.** As ferramentas são perigosas nas mãos de usuários não treinados.
- e) Manutenção das ferramentas. Cheque o desalinhamento ou coesão das partes móveis, rachaduras e qualquer outra condição que possa afetar a operação da ferramenta. Se danificada, a ferramenta deve ser reparada antes do uso.** Muitos acidentes são causados pela pobre manutenção das ferramentas.
- f) Mantenha ferramentas de corte afiadas e limpas.** A manutenção apropriada das ferramentas de corte com lâminas afiadas, tornam estas menos prováveis ao emperramento e são mais fáceis de controlar.
- g) Use a ferramenta, acessórios, suas partes etc., de acordo com as instruções e na maneira designada para o tipo particular da ferramenta, levando em consideração as condições e o trabalho a ser desempenhado.** O uso da ferramenta em operações diferentes das designadas podem resultar em situações de risco.

## 5) REPAROS

- a) **Tenha sua ferramenta reparada por um agente de reparos qualificado e que somente use peças originais.** Isto irá assegurar que a segurança da ferramenta seja mantida.

### Instruções de segurança adicionais para martelotes rotativos

- **Use sempre protetores auriculares.** A exposição a ruídos pode causar perda de audição.
- **Use as empunhaduras auxiliares fornecidas com a ferramenta.** A perda do controle da ferramenta pode causar lesões corporais.
- **Segure sempre uma ferramenta elétrica usando as empunhaduras isoladas ao fazer um trabalho onde a ferramenta de corte possa entrar em contato com uma fiação oculta ou com o cabo elétrico da própria ferramenta.** O contato com um fio “vivo” carregará as partes metálicas expostas da ferramenta e causará um choque elétrico no operador.
- **Use morsas, braçadeiras ou qualquer maneira prática para prender e apoiar a peça a ser trabalhada numa bancada estável.** Segurar a peça com as mãos ou contra seu corpo faz com que a peça fique instável e pode fazer com que você perca o controle dela.
- **Use sempre óculos de segurança ou outro tipo de proteção para os olhos.** O uso de um martelo ou uma furadeira pode projetar lascas ou estilhaços no ar. Ao serem projetadas no ar, estas partículas podem causar lesões permanentes aos olhos. Ao fazer trabalhos que produzam pó, use uma máscara contra pó ou um respirador. Quase todos os tipos de trabalho exigem a utilização de proteção para os ouvidos.
- **Sempre segure firmemente a ferramenta. Nunca tente operar a ferramenta sem segurá-la com as duas mãos.**

Recomendamos que você use sempre a empunhadura lateral fornecida com a ferramenta. Operar a ferramenta com apenas uma mão levará à perda de controle da ferramenta. Também pode ser perigoso perfurar completamente o material ou encontrar materiais duros como, por exemplo, uma barra de reforço. Aperte firmemente a empunhadura lateral antes de usar a ferramenta.

- O martelo deve ser usado somente para pequenos trabalhos de cinzelagem.
- Ao realizar trabalhos de cinzelagem, o interruptor de avanço/retrocesso deve estar na posição “avançar”.
- Não use esta ferramenta para facilitar a mistura ou o bombeamento de fluidos combustíveis ou explosivos (benzina, álcool, etc.).
- Não combine nem misture líquidos etiquetados como inflamáveis.
- **Não trabalhe com esta ferramenta durante períodos muito longos.** A vibração criada pelo martelamento pode ser prejudicial para suas mãos e seus braços. Sempre use luvas para ajudar a amortizar as vibrações e descanse com frequência para limitar sua exposição.
- **Nunca faça você mesmo o recondicionamento de brocas.** O recondicionamento de buris deve sempre ser feito por um especialista autorizado. Os buris reconicionados incorretamente podem causar lesões.
- **Sempre use luvas ao operar a ferramenta ou trocar uma broca.** As partes metálicas da ferramenta e as brocas podem esquentar muito quando a ferramenta é usada. As partículas pequenas de material quebrado podem causar danos às mãos descobertas.
- **Nunca deite a ferramenta antes que ela tenha parado completamente de funcionar.** As brocas em movimento podem causar lesões.

- **Nunca tente soltar uma broca emperrada golpeando-a com um martelo.** Fragmentos de metal ou outros materiais poderiam ser projetados e causar lesões.
- **É possível esmerilhar os buris que apresentam pouco desgaste para afiá-los.**
- **Mantenha o cabo elétrico da ferramenta longe da broca quando ela estiver em rotação. Não enrole o fio da ferramenta ao redor de nenhuma parte de seu corpo.** Um fio elétrico enrolado ao redor de uma broca em rotação pode causar danos físicos e perda de controle da ferramenta.
- **Muitas vezes, os orifícios de ventilação cobrem peças móveis e, por isso, devem ser evitados.** As roupas folgadas, adereços ou cabelos compridos podem ficar presos às partes móveis.
- **Para sua segurança, os cabos de extensão devem ter um calibre adequado.** Uma extensão de menor calibre causará uma queda de voltagem o que resultará em perda de potência e superaquecimento da ferramenta. Ao usar mais de uma extensão para completar o comprimento total, tenha certeza de que os fios de cada extensão têm pelo menos o calibre mínimo. A tabela a seguir indica o tamanho que deve ser usado em função do comprimento do cabo e da amperagem nominal. Em caso de dúvida, use um fio de maior capacidade. Quanto menor o número do calibre, maior será a capacidade do cabo.

Tensão (Volts)	Comprimento do cabo de extensão em metros (m)			
	120 - 127V	0 - 7	7 - 15	15 - 30
220 - 240V	0 - 15	15 - 30	30 - 60	60 - 100
Faixa de Corrente nominal (Ampères)	Secção mínima do cabo de extensão em milímetros quadrados (mm <sup>2</sup> )			
0 - 6A	1.0	1.5	1.5	2.5
6 - 10A	1.0	1.5	2.5	4.0
10 - 12A	1.5	1.5	2.5	4.0
12 - 16A	2.5	4.0	Não Recomendado	

**NOTA:** Não aqueça demasiadamente a broca (perda de cor) ao esmerilhar uma nova ponta. Os buris muito gastos devem ser forjados novamente. Nunca tente temperar nem endurecer uma talhadeira.

**⚠ ATENÇÃO:** Use sempre uma proteção para os olhos. Todos os usuários e outras pessoas presentes devem usar uma proteção para os olhos em conformidade com a norma ANSI Z87.1.

**⚠ ATENÇÃO:** Ao trabalhar com esta ferramenta, use sempre uma proteção adequada para seus ouvidos em conformidade com a norma ANSI S12.6 (S3.19). Sob algumas condições e dependendo do tempo de uso contínuo, o ruído produzido pela ferramenta pode contribuir para a perda da audição.

**⚠ ATENÇÃO:** Use **SEMPRE** óculos de segurança. Seus óculos de uso diário **NÃO** são óculos de segurança. Além disso, caso o trabalho de corte possa criar muito pó, use sempre uma máscara facial ou máscara contra pó. USE SEMPRE EQUIPAMENTOS DE SEGURANÇA CERTIFICADOS:

- Proteção para os olhos ANSI Z87.1 (CAN/CSA Z94.3),
- Proteção para os ouvidos ANSI S12.6 (S3.19),
- Proteção respiratória NIOSH/OSHA/MSHA.

**⚠ ATENÇÃO:** É possível que uma parte da poeira criada por algumas ferramentas elétricas de lixamento, serragem, esmerilhagem, perfuração e outras atividades de construção contenha substâncias químicas que comprovadamente causam câncer, defeitos congênitos ou problemas reprodutivos. Os seguintes são alguns exemplos desses produtos químicos:

- chumbo nas tintas à base de chumbo,
- sílica cristalina em tijolos, cimento e outros produtos de alvenaria, e
- arsênio e cromo em madeiras tratadas quimicamente com CCA (arseniato de cobre cromatado).

O risco de exposição a esses produtos varia dependendo da frequência de execução desse tipo de trabalho. A fim de reduzir sua exposição a essas substâncias químicas: trabalhe em áreas bem ventiladas e usando equipamentos de segurança aprovados como, por exemplo, máscaras contra pó fabricadas especialmente para impedir a passagem de partículas microscópicas.

- **Evite o contato prolongado com o pó produzido por lixamento, serragem, esmerilhagem, perfuração e outras atividades de construção. Vista roupas protetoras e lave com água e sabão as partes do corpo expostas.** Permitir que o pó entre em contato com a boca, os olhos ou a pele pode provocar a absorção de produtos químicos nocivos pelo corpo.

**⚠ ATENÇÃO:** O uso desta ferramenta pode criar e/ou espalhar pó que pode causar lesões respiratórias e de outros tipos sérias e permanentes. Use sempre equipamentos adequados de proteção respiratória contra pó aprovados pelo NIOSH ou pela OSHA. Direcione as partículas para longe do rosto e do corpo.

- A etiqueta de sua ferramenta pode incluir os símbolos abaixo. As definições de cada um deles são as seguintes:  

V .....	volts	A .....	ampères
Hz .....	hertz	W .....	watts

min ..... minutos

— — ..... corrente contínua

Ⓜ ..... Construção de Classe I (aterrado)

⊕ ..... terminal de aterramento

⚠ ..... símbolo de alerta de segurança

.../min ... por minuto

IPM..... impacto por minuto

~ ..... corrente alternada

≈ ..... corrente alternada ou contínua

$n_o$ ..... rotações sem carga

□ ..... Construção de Classe II (isolamento duplo)

BPM.... batidas por minuto

RPM ... revoluções por minuto

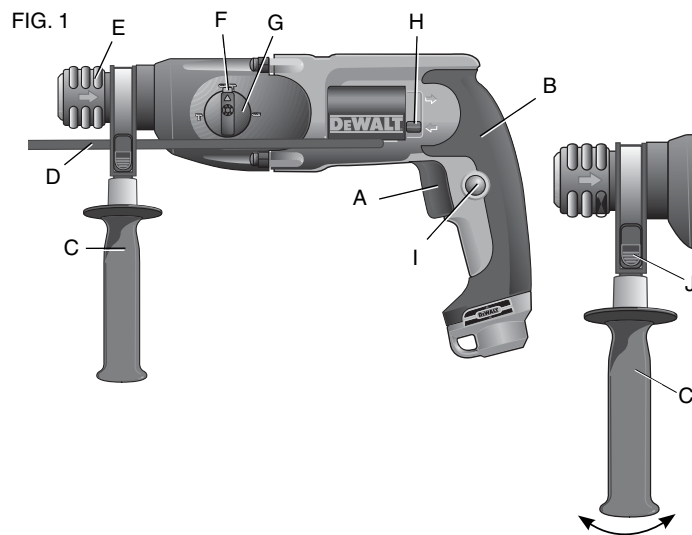
## Motor

Sua ferramenta DEWALT utiliza um motor fabricado pela DEWALT. Certifique-se de que o tipo de energia elétrica fornecido por sua rede corresponde ao tipo indicado na placa do aparelho. Uma queda de voltagem de mais de 10% causará perda de potência e superaquecimento da ferramenta. Todas as ferramentas fabricadas pela DEWALT são testadas na fábrica.

## Componentes (Fig. 1)

**⚠ ATENÇÃO:** Nunca tente fazer nenhuma modificação a uma ferramenta elétrica nem a nenhuma parte dela. Isto poderia causar ferimentos e danos materiais.

- |  |  |
|--|--|
| A. Interruptor tipo gatilho de velocidade variável | F. Botão do seletor de modo                  |
| B. Empunhadura principal                           | G. Seletor de modo                           |
| C. Empunhadura lateral                             | H. Alavanca de reversão                      |
| D. Barra de profundidade                           | I. Botão de trava                            |
| E. Mandril SDS Plus®                               | J. Botão para soltar a barra de profundidade |



### USO DEVIDO DA FERRAMENTA

Estes marteletes rotativos foram projetados para trabalhos profissionais de perfuração por percussão, perfuração, aparafusamento e pequenos trabalhos de cinzelagem em locais diferentes (ex.: canteiros de construção). **NÃO** use a ferramenta na presença de umidade nem de líquidos ou gases inflamáveis.

Estes marteletes rotativos são ferramentas elétricas de uso profissional fabricadas para trabalhos pesados. **NUNCA** deixe que nenhuma criança se aproxime da ferramenta. Os usuários que não tenham experiência com esta ferramenta devem sempre ser supervisionados.

### MONTAGEM E AJUSTES

**⚠ ATENÇÃO:** A fim de reduzir o risco de lesões corporais, sempre desligue o aparelho e retire-o da alimentação elétrica

**antes de instalar ou remover acessórios, fazer um ajuste, mudar o modo de operação ou fazer um conserto. Assegure-se de que o gatilho esteja na posição "OFF" (desligado). O acionamento acidental da ferramenta pode causar ferimentos.**

### Empunhadura lateral (Fig. 1)

**⚠ ATENÇÃO:** Para reduzir o risco de lesões corporais, **SEMPRE** opere a ferramenta com a empunhadura lateral devidamente instalada. Caso contrário, a empunhadura lateral pode se soltar durante a operação da ferramenta e o operador pode perder o controle. Segure a ferramenta com as duas mãos a fim de ter um controle máximo.

Este martelete rotativo já vem com uma empunhadura lateral montada. A empunhadura lateral (C) pode ser montada para que a ferramenta seja usada com a mão direita ou com a mão esquerda.

### COMO AJUSTAR A EMPUNHADURA LATERAL

1. Afrouxe a empunhadura lateral (C) girando-a no sentido anti-horário.
2. Gire a empunhadura lateral até a posição desejada.
3. Aperte a empunhadura lateral girando-a no sentido horário.

### PARA MUDAR DE LADO

*Para os usuários destros:* passe o prendedor da empunhadura lateral por cima do mandril, com a empunhadura do lado esquerdo.

*Para os usuários canhotos:* passe o prendedor da empunhadura lateral por cima do mandril, com a empunhadura do lado direito.

### Interruptor tipo gatilho (Fig. 1)

Aperte o interruptor tipo gatilho (A) para por o martelete rotativo em funcionamento. Solte o interruptor para que o martelete rotativo pare de funcionar.

**NOTA:** Use velocidades mais baixas para começar a furar um orifício sem orifício-piloto, perfurar metais, plásticos ou cerâmica ou para apertar um parafuso. Para fazer trabalhos de perfuração em alvenaria com mais eficiência, use velocidades mais altas.

#### VELOCIDADE VARIÁVEL

O interruptor tipo gatilho de velocidade variável (A) permite que o usuário controle a velocidade da ferramenta. Quanto mais o usuário apertar o gatilho, mais alta será a velocidade da ferramenta.

#### BOTÃO DE TRAVA

**⚠ ATENÇÃO:** Não se esqueça de soltar o mecanismo de trava antes de desligar a ferramenta da fonte de alimentação elétrica. Caso contrário, o martelo perfurador entrará em funcionamento assim que for ligado à corrente elétrica. Isto poderia causar ferimentos e danos materiais.

O botão de trava (I) deve ser usado somente quando o martetele rotativo estiver estacionário, montado numa bancada ou para trabalhos de cinzelamento.

Antes de começar usar a ferramenta, verifique sempre se o mecanismo de liberação do botão de trava está funcionando normalmente.

Para usar a ferramenta de modo contínuo, aperte e segure o interruptor tipo gatilho (A); aperte o botão de trava (I); solte o interruptor tipo gatilho e, em seguida, solte o botão de trava. A ferramenta continuará a funcionar.

Para parar a ferramenta quando estiver em funcionamento contínuo, aperte rapidamente e solte o gatilho.

#### Alavanca de reversão (Fig. 1)

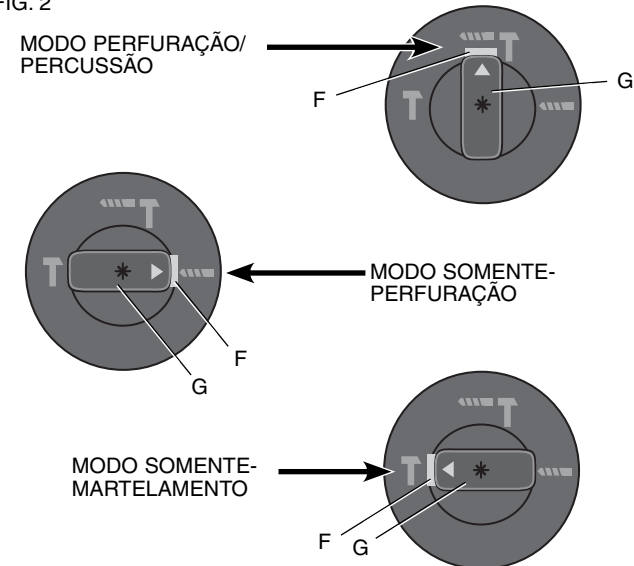
A alavanca de reversão (H) é usada para inverter o movimento do martetele rotativo para retirar parafusos ou brocas emperradas em modo somente-perfuração.

**⚠ CUIDADO:** Ao inverter o movimento do aparelho para retirar brocas emperradas, esteja preparado para uma reação de torque forte da ferramenta.

Para inverter o movimento do martetele rotativo, desligue o aparelho e alinhe a alavanca de reversão (H) com a seta amarela voltada para trás (vista ao segurar a ferramenta em posição de funcionamento).

Para posicionar a alavanca para fazer a ferramenta funcionar para frente, desligue o martetele rotativo e alinhe a alavanca de reversão (H) com a seta amarela voltada para frente (vista ao segurar a ferramenta em posição de funcionamento).

FIG. 2



## **Seletor de modo (Fig. 2)**

**AVISO:** A fim de evitar danos à ferramenta, deixe que ela pare completamente antes de ativar o botão do seletor do modo de funcionamento.

### **MODO SOMENTE-PERFURAÇÃO**

Para usar a ferramenta em modo somente-perfuração, aperte o botão do seletor de modo (F) e gire o seletor de modo (G) para que a seta amarela aponte para o símbolo correspondente, tal como mostra a figura. Use o modo somente-perfuração para perfurar madeira, metais e plásticos.

### **MODO DE MARTELO PERFURADOR**

Para usar a ferramenta como martelo perfurador, aperte o botão do seletor de modo (F) e gire o seletor de modo (G) até que a seta amarela aponte para o símbolo correspondente, tal como mostra a figura. Use este modo para trabalhos de perfuração de alvenaria.

### **MODO SOMENTE-MARTELAMENTO**

Para os trabalhos pequenos de cinzelamento, aperte o botão do seletor de modo (F) e gire o seletor de modo (G) para que a seta amarela aponte para o símbolo correspondente, tal como mostra a figura.

**NOTA:** A seta amarela no seletor de modo **DEVE SEMPRE** estar alinhada com um dos símbolos. A ferramenta não funciona se a seta estiver entre duas posições.

## **Mandril SDS-plus® (Fig. 1)**

**⚠ ATENÇÃO:** Para reduzir o risco de lesões corporais graves, sempre desligue a ferramenta e retire-a da corrente elétrica antes de fazer ajustes ou de retirar ou colocar acessórios.

**⚠ ATENÇÃO:** Perigo de queimadura. SEMPRE use luvas ao trocar brocas. As partes metálicas da ferramenta e as brocas podem esquentar muito quando a ferramenta é usada. As partículas pequenas de material quebrado podem causar danos às mãos descobertas.

**⚠ ATENÇÃO:** Nunca tente apertar nem folgar uma broca (nem nenhum outro acessório) apertando a parte frontal do mandril e ligando a ferramenta. Isto pode danificar o mandril e causar lesões corporais.

**Para instalar uma broca,** insira a haste da broca aproximadamente 19 mm (3/4"), mas não mais do que 22 mm (7/8") no mandril. Empurre e gire a broca até que trave na posição correta. A broca estará presa firmemente.

**Para soltar a broca,** puxe o mandril (E) para trás e retire a broca.

## **COMO OPERAR A FERRAMENTA**

**⚠ ATENÇÃO:** Siga sempre as instruções de segurança e os regulamentos aplicáveis.

**⚠ ATENÇÃO:** Para reduzir o risco de lesões corporais graves, sempre desligue a ferramenta e retire-a da corrente elétrica antes de fazer ajustes ou de retirar ou colocar acessórios.

**⚠ ATENÇÃO:** Para reduzir o risco de lesões corporais, verifique **SEMPRE** se a peça a ser trabalhada está bem ancorada ou apertada firmemente. Ao furar um material fino, use um bloco de madeira para suportar e prevenir danos ao material.

**⚠ ATENÇÃO:** Para reduzir o risco de lesões corporais, **SEMPRE** opere a ferramenta com a empunhadura lateral devidamente instalada e apertada. Caso contrário, a empunhadura lateral pode se soltar durante a operação da ferramenta e o operador pode perder o controle. Segure a ferramenta com as duas mãos a fim de ter um controle máximo.

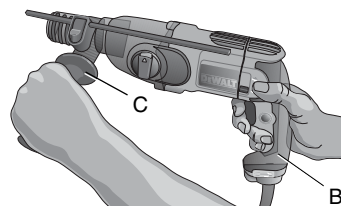
## **Como segurar corretamente a ferramenta (Fig. 3)**

**⚠ ATENÇÃO:** Para reduzir o risco de lesões graves, **SEMPRE** posicione corretamente a mão tal como mostra a ilustração.

**⚠ ATENÇÃO:** Para reduzir o risco de lesões graves, **SEMPRE** segure firmemente a ferramenta para estar preparado em caso de uma reação súbita da ferramenta.

Para usar corretamente a ferramenta segure a empunhadura lateral (C) com uma mão e segure a empunhadura principal (B) com a outra mão.

FIG. 3



### Limitador de torque

Caso a broca fique emperrada, o limitador de torque interromperá o movimento do eixo da broca. Como isto pode provocar forças de reação, esteja sempre preparado e segure firmemente a ferramenta com as duas mãos.

### Ferramentas de perfuração

Esta ferramenta foi fabricada para trabalhos de perfuração por percussão em concreto, tijolos e pedra. Ela também é indicada para trabalhos de perfuração sem impacto em madeira, metais, cerâmica e plásticos.

### Perfuração (Fig. 1)

**⚠ ATENÇÃO:** Para reduzir o risco de lesões corporais graves, sempre desligue a ferramenta e retire-a da corrente elétrica antes de fazer ajustes ou de retirar ou colocar acessórios.

**⚠ ATENÇÃO:** Para reduzir o risco de lesões corporais, verifique **SEMPRE** se a peça a ser trabalhada está bem ancorada ou apertada firmemente. Ao furar um material fino, use um bloco de madeira para suportar e prevenir danos ao material.

Aperte o botão do seletor de modo (F) e gire o seletor de modo (G) até o símbolo de broca para os trabalhos de perfuração; até o

símbolo de martelo para os trabalhos de martelamento; ou até o símbolo de martelo perfurador para os trabalhos de perfuração por percussão.

### OPERAÇÃO DE PERFURAÇÃO

1. Para MADEIRA, use brocas helicoidais, brocas chatas, brocas com hélice rápida ou serras-copo. Para METAL, use brocas helicoidais de aço de alta velocidade ou brocas ocas. Quando perfurar metais use um lubrificante para corte. A exceção a esta regra são o ferro e o latão que devem ser perfurados a seco. Para ALVENARIA, use brocas com ponta de carboneto ou brocas para alvenaria. Um fluxo uniforme e contínuo de pó indica que a velocidade de perfuração é adequada.
2. Sempre aplique pressão em linha reta com a broca. Use uma pressão suficiente para que a broca continue furando. Porém, não use uma pressão excessiva que faça parar o motor ou que desvie a broca.
3. Segure firmemente a ferramenta com as duas mãos a fim de controlar a rotação da ferramenta.

**⚠ ATENÇÃO:** Caso seja sobrecarregada, a ferramenta pode emperrar e causar uma torção repentina. Esteja sempre preparado para isso. Segure firmemente a furadeira com as duas mãos para controlar a ação de torção e evitar lesões.

4. **SE A FURADEIRA PARAR**, isto quer dizer que foi sobrecarregada. **SOLTE IMEDIATAMENTE O GATILHO**, retire a broca e tente determinar a causa do problema. **NÃO APERTE E SOLTE REPETIDAMENTE O GATILHO PARA TENTAR FAZER FUNCIONAR NOVAMENTE UMA FURADEIRA EMPERRADA, POIS ISTO PODE DANIFICÁ-LA.**
5. Para reduzir o risco de emperramento da ferramenta ou de perfurar completamente o material, diminua a pressão sobre a furadeira e perfure de modo mais suave a parte restante do orifício.



6. Mantenha o motor funcionando ao retirar a broca do interior do orifício furado. Isto evitará que a ferramenta pare de funcionar.
7. Com as furadeiras de velocidade variável não é necessário marcar o centro do orifício a ser feito. Use uma velocidade mais baixa para começar o orifício e acelere, pressionando mais o gatilho, quando o orifício tiver uma profundidade suficiente para evitar que a broca se solte.

#### **COMO PERFURAR METAIS**

É necessário usar um adaptador de mandril de haste redonda a SDS Plus®. Certifique-se que a ferramenta esteja operando em modo somente-perfuração. Comece a perfurar a uma velocidade mais baixa e aumente até a velocidade máxima aplicando sempre uma pressão firme sobre a ferramenta. Um fluxo uniforme e contínuo de aparas de metal indica que a velocidade de perfuração é adequada. Quando perfurar metais use um lubrificante para corte. A exceção a esta regra são o ferro e o latão que devem ser perfurados a seco.

**NOTA:** Os orifícios grandes em aço [de 7,9 mm (5/16") a 12,7 mm (1/2")] podem ser feitos mais facilmente se um orifício-piloto [de 4 mm (5/32") a 4,8 mm (3/16")] for feito em primeiro lugar.

#### **COMO PERFURAR MADEIRA**

É necessário usar um adaptador de mandril de haste redonda a SDS Plus®. Certifique-se que a ferramenta esteja operando em modo somente-perfuração. Comece a perfurar a uma velocidade mais baixa e aumente até a velocidade máxima aplicando sempre uma pressão firme sobre a ferramenta. Para perfurar madeira, é possível usar as mesmas brocas helicoidais usadas para metais. Retire a ferramenta do orifício freqüentemente e limpe as aparas que se acumulam na broca a fim de evitar que a broca se esquente demasiadamente. Para os orifícios maiores, use brocas chatas, brocas com hélice rápida ou serras-copo. Caso exista um risco de que a peça sendo trabalhada se estilhaça, use um bloco de madeira como suporte traseiro.

#### **COMO USAR A FERRAMENTA COMO MARTELO PERFURADOR**

1. Ao perfurar, use somente força suficiente no martelo para impedir que ele salte demasiadamente ou impedir que a broca "se levante". Uma força excessiva diminuirá a velocidade de perfuração, causará o superaquecimento da ferramenta, e provocará uma perfuração mais lenta.
2. Fure em linha reta mantendo a broca num ângulo reto com a peça sendo trabalhada. Não exerça nenhuma pressão lateral sobre a broca quando estiver perfurando, pois isto poderia causar o entupimento dos sulcos da broca e diminuir a velocidade de perfuração.
3. Ao perfurar orifícios profundos, caso a velocidade de percussão comece a cair, retire parcialmente a broca do orifício com a ferramenta ainda em funcionamento para ajudar a retirar as aparas que se encontrarem no orifício.
4. Para alvenaria, use brocas com ponta de carboneto ou brocas para alvenaria. Um fluxo uniforme e contínuo de pó indica que a velocidade de perfuração é adequada.

#### **Rompedor**

1. Para passar de perfuração a rompedor, insira a talhadeira SDS plus® e verifique se está travada corretamente.
2. Ao passar do modo de perfuração ao modo de cinzelagem, gire o seletor até a posição desejada. Caso encontre resistência ao mudar o modo de operação da ferramenta, gire o seletor levemente para engrenar a trava do eixo.

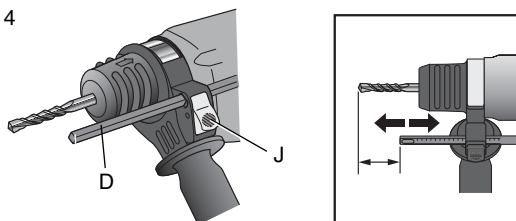
#### **Barra de profundidade (Fig. 4)**

##### **COMO AJUSTAR A BARRA DE PROFUNDIDADE**

1. Empurre e segure o botão de liberação da barra de profundidade (J) na empunhadura lateral.

2. Mova a barra de profundidade (D) de modo que a distância entre a ponta da barra e a ponta da broca seja igual à profundidade de perfuração desejada.
3. Solte o botão para travar a barra de profundidade na posição desejada. Ao fazer um trabalho de perfuração com a barra de profundidade, pare a ferramenta quando a ponta da barra atingir a superfície do material.

FIG. 4



## MANUTENÇÃO

Sua ferramenta elétrica DEWALT foi projetada para funcionar durante um período de tempo muito longo com um mínimo de manutenção. O funcionamento contínuo satisfatório depende da manutenção cuidadosa e da limpeza periódica da ferramenta.

**⚠ ATENÇÃO:** Para reduzir o risco de lesões corporais, sempre desligue a ferramenta e retire-a da corrente elétrica antes de instalar ou retirar acessórios, e antes de fazer ajustes.

### Limpeza

**⚠ ATENÇÃO:** Pelo menos uma vez por semana, use jatos de ar seco para remover as impurezas e o pó de todas as aberturas de ventilação da ferramenta. Use sempre uma proteção para os olhos adequada Z87.1 (CAN/CSA Z94.3) e uma proteção respiratória adequada NIOSH/OSHA/MSHA ao fazer este trabalho.

**⚠ ATENÇÃO:** Nunca use solventes ou outros produtos químicos abrasivos para limpar as peças não metálicas da ferramenta. Estes produtos químicos podem enfraquecer os materiais plásticos utilizados nestas peças. Use um pano umedecido somente com água e sabão neutro. Nunca deixe que um líquido caia dentro da ferramenta. Nunca coloque as peças da ferramenta em um líquido.

### Lubrificação

Sua ferramenta recebeu uma lubrificação adequada antes de deixar a fábrica. Dentro de dois a seis meses, dependendo da intensidade de utilização, leve ou envie a ferramenta a um centro de assistência técnica autorizado para que ela seja completamente limpa, inspecionada e lubrificada. As ferramentas usadas de modo constante em trabalhos de produção precisam ser lubrificadas mais frequentemente. Além disso, as ferramentas que estiveram fora de serviço durante um período longo também precisam ser lubrificadas novamente antes de voltarem a ser usadas.

### Acessórios

**⚠ ATENÇÃO:** Como os acessórios fabricados por outros fabricantes não foram testados para serem usados com esta ferramenta, seu uso com esta ferramenta pode ser perigoso. Para reduzir o risco de lesões, utilize somente os acessórios recomendados pela DEWALT para esta ferramenta.

Os acessórios recomendados para uso com sua ferramenta estão disponíveis a custo adicional no seu revendedor local ou no centro de assistência técnica autorizado.

### CAPACIDADES MÁXIMAS RECOMENDADAS

#### D25013

Alvenaria	22 mm (7/8")
Aço	13 mm (1/2")
Madeira	30 mm (1-1/8")

#### CAPACIDADE ÓTIMA

Trabalhos de alvenaria	4 mm–13 mm (5/32"–1/2")
------------------------	----------------------------

### Reparos

Para assegurar a SEGURANÇA e a CONFIABILIDADE da ferramenta, os reparos, a manutenção e os ajustes (incluindo inspeção e substituição da escova) devem ser realizados por um centro de serviços autorizados da DEWALT ou outro pessoal técnico qualificado. Use sempre peças de reposição idênticas.

A DEWALT possui uma das maiores Redes de Serviços do País, Ligue: 0800-7034644 ou consulte nosso site: [www.dewalt.com.br](http://www.dewalt.com.br), para saber qual é a mais próxima de sua localidade.

### ESPECIFICAÇÕES

#### D25013

Voltagem:	127 V~ / 220 V~
Frequência:	50-60 Hz
Watts	650 W
RPM:	0–1 550/min
Batidas por minuto	0–4 550/bpm

SOLAMENTE PARA PROPÓSITO DE ARGENTINA:  
IMPORTADO POR: BLACK & DECKER ARGENTINA S.A.  
PACHECO TRADE CENTER  
COLECTORA ESTE DE RUTA PANAMERICANA  
KM. 32.0 EL TALAR DE PACHECO  
PARTIDO DE TIGRE  
BUENOS AIRES (B1618FBQ)  
REPÚBLICA DE ARGENTINA  
NO. DE IMPORTADOR: 1146/66  
TEL. (011) 4726-4400

SOLAMENTE PARA PROPÓSITO DE MÉXICO:  
IMPORTADO POR: BLACK & DECKER S.A. DE C.V.  
BOSQUES DE CIDROS, ACCESO RADIATAS NO. 42  
3A. SECCIÓN DE BOSQUES DE LAS LOMAS  
DELEGACIÓN CUAJIMALPA,  
05120, MÉXICO, D.F.  
TEL. (52) 555-326-7100  
R.F.C.: BDE810626-1W7

IMPORTED BY/IMPORTADO POR:  
BLACK & DECKER DO BRASIL LTDA.  
ROD. BR 050, S/Nº - KM 167  
DIST. INDUSTRIAL II  
UBERABA - MG - CEP: 38064-750  
CNPJ: 53.296.273/0001-91  
INSC. EST.: 701.948.711.00-98  
S.A.C.: 0800-703-4644

MAQUINAS Y HERRAMIENTAS BLACK & DECKER CHILE S.A.  
AVDA. EDUARDO FREI M. #6001 EDIFICIO 67  
CONCHALI-SANTIAGO  
CHILE

HECHO EN CHINA  
FABRICADO NA CHINA  
MADE IN CHINA

DEWALT Industrial Tool Co., 701 East Joppa Road, Baltimore, MD 21286  
(JUN09) Part No. N030056 D25013 Copyright © 2009 DEWALT

The following are trademarks for one or more DEWALT power tools: the yellow and black color scheme; the "D" shaped air intake grill; the array of pyramids on the handgrip; the kit box configuration; and the array of lozenge-shaped humps on the surface of the tool.

## Free Manuals Download Website

<http://myh66.com>

<http://usermanuals.us>

<http://www.somanuals.com>

<http://www.4manuals.cc>

<http://www.manual-lib.com>

<http://www.404manual.com>

<http://www.luxmanual.com>

<http://aubethermostatmanual.com>

Golf course search by state

<http://golfingnear.com>

Email search by domain

<http://emailbydomain.com>

Auto manuals search

<http://auto.somanuals.com>

TV manuals search

<http://tv.somanuals.com>