

# SEARS

*owner's  
manual*

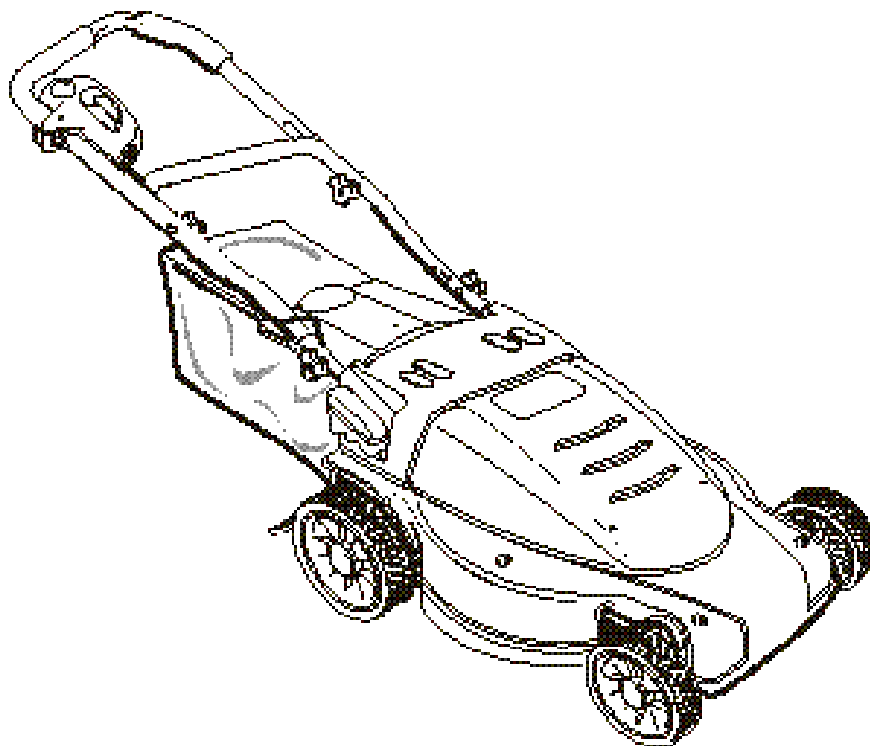
**Model No.  
C935-355190**

- Assembly
- Operating Instructions
- Replacement Parts
- Warranty

**CAUTION:**  
You must read and understand  
this owner's manual before  
operating unit.

# SEARS CRAFTSMAN®

## 19" MULCHING MOWER



**SEARS CANADA INC., TORONTO, ONTARIO M5B 2B8**

# TABLE OF CONTENTS

Warranty.....	i
Safety.....	1
Assembly.....	2
Operation.....	4
Maintenance.....	6
Storage.....	7
Trouble Shooting Guide.....	8
Repair Parts.....	9
Parts Ordering Instructions.....	11

## NOTICE

Safety specifications have been introduced in North America which relate to the design of lawnmowers intended for consumer use.

These specifications are intended to reduce the risks of blade contact injuries.

This lawnmower was designed to incorporate all such recommended design features. Example of such features are:

- Dead man controls and blade braking which bring the blade to rest within 3 seconds of the release of the control handle.
- Operator zone starting - to prevent restarting of the mower while being in the close vicinity of the cutter blade.

PLEASE DO NOT ATTEMPT TO CIRCUMVENT THESE FEATURES - THEY ARE INTENDED FOR YOUR SAFETY.

## CRAFTSMAN® LAWNMOWER WARRANTY

For Two (2) years from the date of purchase, Sears Canada Inc. will repair or replace free of charge at Sears option any parts which are defective as a result of material or workmanship.

### EXTENDED DECK WARRANTY

Craftsman lawnmower equipped with a resin deck includes a lifetime warranty on the deck. Parts and Labour included.

### COMMERCIAL OR RENTAL USE

Warranty on Lawnmower will be 90 days from the date of purchase if used for Commercial or Rental purposes.

This Warranty does NOT cover:

1. Expendable items which become worn during normal operation such as blades.
2. Repairs necessary because of operator's abuse or negligence including damages to the motor as a result of striking objects (rocks, roots, tree stumps).
3. Failure to maintain the equipment according to the instructions contained in the Owner's Manual.
4. In Home service.

Warranty service is available by returning the Craftsman Electric Lawnmower to the nearest Sears Service Centre/Department in Canada. This warranty applies only while this product is in use in Canada.

This warranty is in addition to any statutory warranty and does not exclude or limit legal rights you may have but shall run concurrently with applicable provincial legislation. Furthermore, some provinces do NOT allow limitation on how long an implied warranty will last so the above limitations may not apply to you.

SEARS CANADA INC., TORONTO, ONTARIO M5B 2B8

## IMPORTANT SAFETY RULES



**WARNING:** When using electric tools, basic safety precautions should always be followed to reduce the risk of fire, electric shock, and personal injury, including the following:

**WARNING:** This product contains chemicals, including lead, known to the State of California to cause cancer, and birth defects or other reproductive harm. Wash hands after handling.

**WARNING:** Some dust created by this product contains chemicals known to the State of California to cause cancer, birth defects or other reproductive harm. Some examples of these chemicals are:

- compounds in fertilizers
- compounds in insecticides, herbicides and pesticides
- arsenic and chromium from chemically treated lumber

To reduce your exposure to these chemicals, wear approved safety equipment such as dust masks that are specially designed to filter out microscopic particles.

**CAUTION:** Wear appropriate personal hearing protection during use. Under some conditions and duration of use, noise from this product may contribute to hearing loss.



## IMPORTANT

GOVERNMENT REGULATIONS REQUIRE OPERATOR PRESENCE BLADE STOP CONTROLS TO MINIMIZE THE RISK OF BLADE CONTACT INJURY. YOUR MOWER IS EQUIPPED WITH SUCH CONTROLS. DO NOT ATTEMPT TO DEFEAT THE FUNCTION OF THE OPERATOR PRESENCE CONTROL UNDER ANY CIRCUMSTANCES.

### IMPORTANT SAFETY INSTRUCTIONS: POLARIZED PLUGS

To reduce the risk of electric shock, this equipment has a polarized plug (one blade is wider than the other).

This equipment must be used with a suitable polarized 2 wire or 3 wire extension cord. Polarized connections will fit together only one way. Make sure that the receptacle end of the extension cord has large and small blade slot widths. If the plug does not fit fully into the extension cord, reverse the plug. If it still does not fit, obtain a suitable extension cord. If the extension cord does not fit fully into the outlet, contact a qualified electrician to install the proper outlet. Do not modify the lawnmower plug or extension cord in any way.



### GENERAL SAFETY WARNINGS AND INSTRUCTIONS FOR ALL TOOLS

**THIS TOOL CAN BE DANGEROUS.** Follow all warnings and Safety Instructions in this manual. The operator is responsible for following warnings and instructions in this manual and on unit. Restrict use of this lawnmower to persons who read, understand and follow warnings and instructions in this manual and on unit.

- **AVOID DANGEROUS ENVIRONMENT.** Don't use lawnmowers in damp or wet locations. Don't use lawnmowers in the rain.
- **KEEP CHILDREN AWAY.** All other persons and pets should be kept at a safe distance from work area.
- **STORE IDLE LAWNMOWER INDOORS.** Lawnmowers should be stored indoors in dry, secured area – out of reach of children.
- **DON'T FORCE LAWNMOWER.** It will do the job better and with less likelihood of a risk of injury at the rate for which it was designed.
- **USE RIGHT APPLIANCE.** Do not use the lawnmower for any job except that for which it is intended.
- **DRESS PROPERLY.** Do not wear loose clothing or jewelry. They can be caught in moving parts. Rubber gloves, long pants and substantial, non-skid footwear are recommended when working outdoors. Do not go barefoot or wear sandals.
- **USE SAFETY GLASSES AND OTHER SAFETY EQUIPMENT.** Use safety goggles or safety glasses with side shields, complying with applicable safety standards an when needed, a face shield. Also use face or dust mask if operation is dusty. This applies to all persons in the work area. Also use a hard hat, hearing protection, gloves, safety shoes and dust collection systems when specified or required.
- **DON'T ABUSE CORD.** Never carry lawnmower by cord or yank it to disconnect from receptacle. Keep cord from heat, oil, and sharp edges.
- **DON'T OVERREACH.** Keep proper footing and balance at all times.
- **MAINTAIN LAWNMOWER WITH CARE.** Keep cutting edge clean and sharp for best performance and to reduce the risk of injury. Follow instructions for lubricating and changing accessories. Inspect lawnmower cord periodically and if damaged, have it repaired by authorized service facility. Inspect extension cords periodically and replace if damaged. Keep handles dry, clean, and free from oil and grease.

- **DISCONNECT LAWNMOWER.** Disconnect the lawnmower from the power supply when not in use, before servicing, and when changing accessories such as blades and the like.
- **KEEP GUARDS** in place and in working order.
- **AVOID UNINTENTIONAL STARTING.** Don't carry plugged-in lawnmower with finger on switch. Be sure switch is off when plugging in.
- **BEFORE USING,** always visually inspect to see that the blade, blade fasteners and cutter assembly are not worn or damaged. Replace worn or damaged blades and fasteners in sets to preserve balance. Inspect the mower cord - ensure it is in good condition. Cord insulation must be intact with no cracks or deterioration.
- **EXTENSION CORDS.** Make sure your extension cord is in good condition. Cord insulation must be intact with no cracks or deterioration. Plug connectors must be undamaged. When using an extension cord, be sure to use one heavy enough to carry the current your product will draw. An undersized extension cord will cause a drop in line voltage resulting in loss of power and overheating, which can shorten the life of the motor. The table shows the correct size to use depending on cord length and nameplate ampere rating. If in doubt, use the next heavier gage. The smaller the gage number, the heavier the cord.

Volts	Minimum Gage for Cord Sets			
	Total Length of Cord in Feet			
120V	0-25	26-50	51-100	101-150
240V	0-50	51-100	101-200	201-300
Ampere Rating		American Wire Gage		
More Than	Not more Than			
0 - 6	18	16	16	14
6 - 10	18	16	14	12
10 - 12	16	16	14	12
12 - 16	14	12	Not Recommended	

-  indicates the Mower is "DOUBLE INSULATED"
- **OUTDOOR USE EXTENSION CORDS**  **WARNING:** To reduce the risk of electric shock, use only with an extension cord intended for outdoor use, such as an extension cord of type SW-A, SOW-A, STW-A, STOW-A, SJW-A, SJOW-A, SJTW-A, or SJTOW-A.
- **GROUND FAULT CIRCUIT INTERRUPTER (GFCI)** protection should be provided on the circuits or outlets to be used for the gardening appliance. Receptacles are available having built in GFCI protection and may be used for this measure of safety.
- **STAY ALERT.** Watch what you are doing. Use common sense. Do not operate lawnmower when you are tired, ill or under the influence of any drugs or alcohol.
- **CHECK DAMAGED PARTS.** Before further use of the lawnmower, a guard or other part that is damaged should be carefully checked to determine that it will operate properly and perform its intended function. Check for alignment of moving parts, binding of moving parts, breakage of parts, mounting, and any other conditions that may affect its operation. A guard or other part that is damaged should be properly repaired or replaced by an authorized service center unless otherwise indicated elsewhere in this manual.



**LOOK FOR THIS SYMBOL TO POINT OUT IMPORTANT SAFETY PRECAUTIONS. IT MEANS — ATTENTION!!! BECOME ALERT!!! YOUR SAFETY IS INVOLVED.**

- **REPAIRS AND SERVICE.** Repairs, maintenance and any adjustments not specified in this manual should be performed by authorized service centers or other qualified service organizations, always using identical replacement parts.
- **USE OF ACCESSORIES AND ATTACHMENTS.** The use of any accessory or attachment not recommended for use with this lawnmower could be hazardous. Note: Refer to the accessory section of this manual for further details.

**ADDITIONAL WARNINGS FOR MOWERS**

- **THOROUGHLY** inspect the area where the lawnmower is to be used and remove all stones, sticks, wires, bones, and other foreign objects that could be thrown by the blade. Objects struck by lawnmower blade can cause severe injury to persons.
- **DO NOT** operate the lawnmower when barefoot or wearing open sandals.
- **NEVER** attempt to make a wheel height adjustment while the motor is running or while the lawnmower is plugged in.
- **DO NOT** put hands or feet near or under rotating parts. Keep clear of the discharge opening at all times.
- **RELEASE** switch lever to turn mower off when crossing gravel drives, walks, roads, or when flipping handle.

- **IF MOWER** stalls, release switch lever to turn mower off, wait for blade to stop and unplug the cord before attempting to unclog the chute or remove anything from under the deck.
- **AFTER STRIKING** a foreign object, release switch lever to turn mower off, wait for the blade to stop and unplug the mower, thoroughly inspect the mower for any damage, and repair the damage before restarting and operating the mower.
- **IF THE** lawnmower should start to vibrate abnormally release switch lever wait for blade to stop and unplug mower, check immediately for cause. Vibration is generally a warning of trouble.
- **RELEASE SWITCH** lever to turn mower off, wait for the blade to stop and unplug the mower whenever you leave the equipment, before removing the grass catcher, discharge chute or unclogging or cleaning the mower housing, and when making any repairs or inspections.
- **MOW ACROSS** the face of slopes; never up and down. Exercise extreme caution when changing direction on slopes. Do not mow excessively steep slopes.
- **KEEP HANDS** and feet away from cutting area.
- **KEEP BLADES** sharp.
- **IF YOU** are using a grass catcher, check it frequently for wear and deterioration. If excessively worn, replace with new bag for your safety.
- **USE EXTREME CAUTION** when reversing or pulling mower toward you.

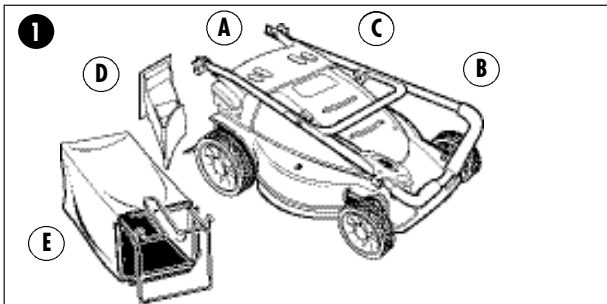
**SAVE THESE INSTRUCTIONS**

## ASSEMBLY

**ASSEMBLY INSTRUCTIONS**

**BEFORE ASSEMBLING YOUR MOWER, CHECK THAT YOU HAVE RECEIVED THE FOLLOWING IN THE SHIPPING CARTON. SEE FIGURE 1.**

- A. Mower
- B. Upper Handle
- C. Lower Handle
- D. Mulch Insert (inside mower under rear door)
- E. Grassbag and Grassbag Frame

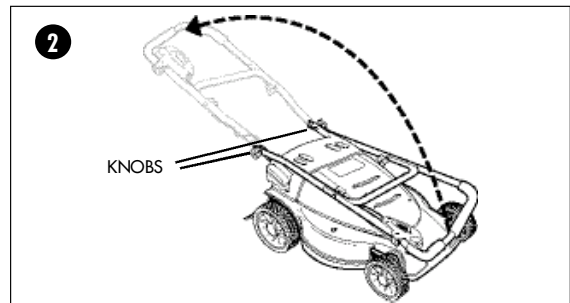


**UNPACKING THE MOWER**

1. Your mower carton contains the mower, 2 handles (attached), mulch insert and a grass bag and frame assembly.
2. Your mower has been completely assembled at the factory except for the grass bag. Remove the grassbag, grassbag frame, mower and fillers from the carton.

**UNFOLDING AND ADJUSTING THE HANDLE (FIGURE 2)**

1. **UNPLUG TOOL, AND WAIT FOR BLADE TO COME TO A COMPLETE STOP.**
2. Raise the handle section into place and secure by tightening the two knobs. Take care not to pinch or damage the power cord while adjusting the handles.
3. There are three holes on the upper handle, this allows the handle height to be set in three positions. Choose the hole that best suits your overall height. Install the bolts to the inside of the handles so that the knobs are on the outside (to avoid interference with the rear door and grassbag). Tighten the knobs securely.

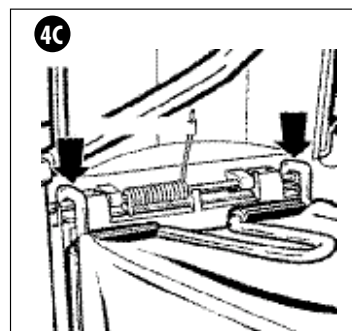
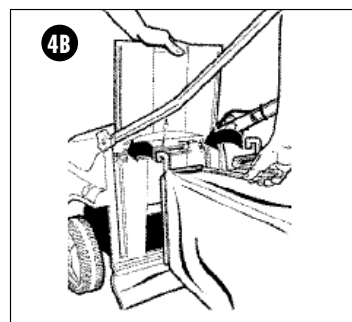
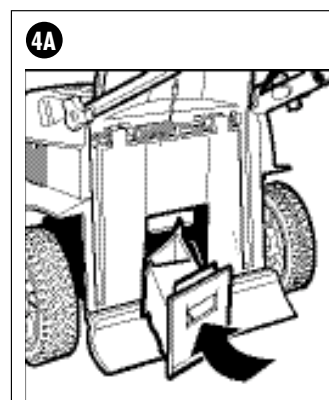
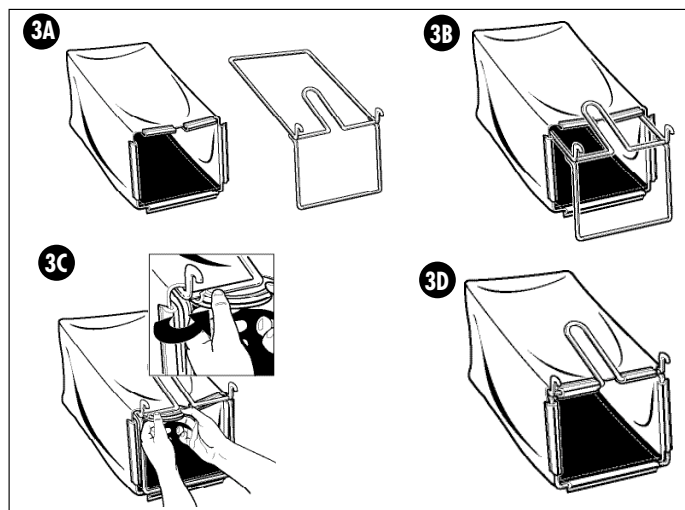


**CAUTION: NEVER USE A SHARP OBJECT TO MOVE JACKETED WIRES OUT OF THE WAY.**

# ASSEMBLY

## ASSEMBLING THE GRASSBAG (FIGURE 3A,3B,3C,3D)

1. **UNPLUG MOWER, AND WAIT FOR BLADE TO COME TO A COMPLETE STOP.**
2. Before starting to assemble the grassbag to the frame, check that the grassbag and frame are similar to figure 3A.
3. Slide the grassbag onto the frame as shown in figure 3B.
4. Assemble the top clips to the frame as shown in figure 3C, then assemble the two side clips and the bottom clip last.
5. Completely assembled grasscatcher see figure 3D.



## MULCHING

The mower is designed to mulch or bag the grass depending on whether mulch insert is in (mulching) or the mulch insert is out and the grass catcher is in place (bagging). No further assembly steps are required if you are mulching. **PROCEED TO OPERATING INSTRUCTIONS.**

## GRASS CATCHER INSTALLATION (FIGURE 4A,4B,4C)

**(If you wish to bag the clippings rather than mulch, perform these steps)**

1. **UNPLUG MOWER, AND WAIT FOR BLADE TO COME TO A COMPLETE STOP.**
2. Raise the rear discharge door and hold it up as shown in Figure 4A.
3. Locate your hand in the handle pocket as shown in Figure 4A, lift and pull out the mulch insert completely.
4. Pick up the grass catcher by the handle and lower the grass catcher between the lawnmower handles as shown in Figure 4B. Position the grass catcher hanger hooks on the lawnmower as shown in Figure 4C. The rear discharge door is spring loaded. When you release it the door will rest against top of bag assembly.

**Warning:** Never operate the mower unless the hanger hooks on the grass catcher are seated properly on the lawnmower and the rear discharge door rests firmly against the top of the grass catcher.

## INSTALLING MULCH INSERT (MULCHING)

1. **UNPLUG MOWER, AND WAIT FOR BLADE TO COME TO A COMPLETE STOP.**
2. Raise the rear discharge door and hold it up as shown in Figure 4A.
3. Slide the mulch insert into the discharge opening until it is firmly in contact with the deck.

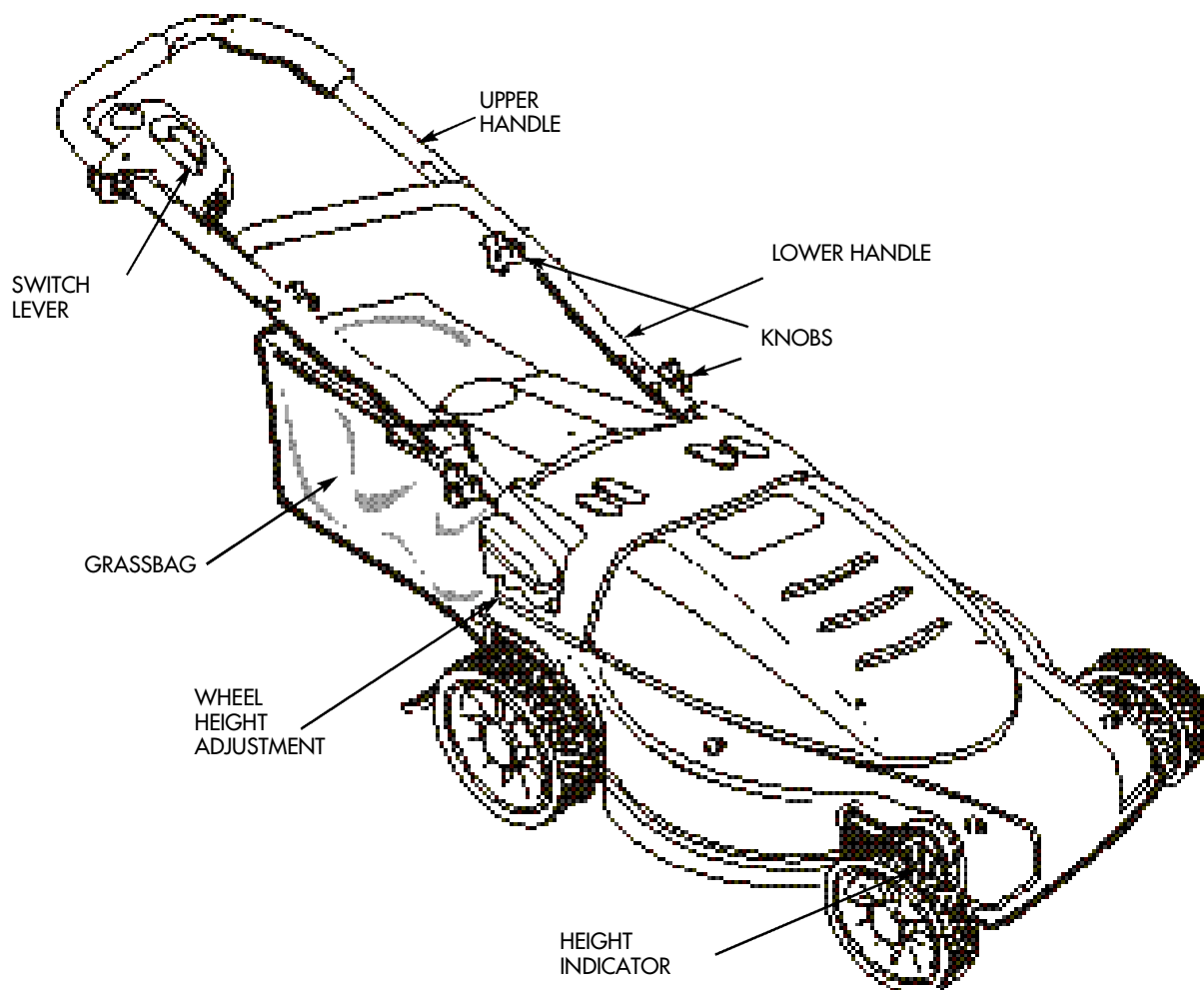
---

# OPERATION

---

## KNOW YOUR MOWER

READ THIS OWNER'S MANUAL AND SAFETY RULES BEFORE OPERATING YOUR MOWER. Compare the illustrations with your mower to familiarize yourself with the location of various controls and adjustments. Save this manual for future reference.



# OPERATION



**THE OPERATION OF ANY LAWNMOWER CAN RESULT IN FOREIGN OBJECTS THROWN INTO THE EYES, WHICH CAN RESULT IN SEVERE DAMAGE. ALWAYS WEAR SAFETY GLASSES OR EYE SHIELDS BEFORE STARTING YOUR LAWNMOWER AND WHILE MOWING. WE RECOMMEND WIDE-VISION SAFETY MASK FOR OVER THE SPECTACLES OR STANDARD SAFETY GLASSES, AVAILABLE AT SEARS RETAIL OR CATALOGUE STORES.**

**NOTE:** A lawnmower is a major appliance and should not be operated simultaneously with other major appliances on the same house circuit.



**WARNING: MAKE SURE THAT OTHER PERSONS AND PETS ARE AT LEAST 100 FEET AWAY.**

## INSPECT CUTTING AREA

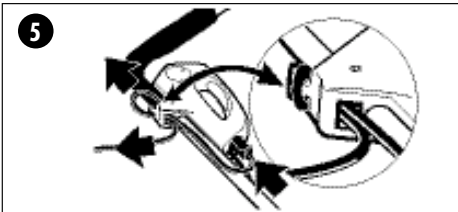


Remove all stones, sticks, wire, stones, and other debris which might be thrown by the rotating blades.

## ATTACHING EXTENSION CORD TO MOWER (FIGURE 5)

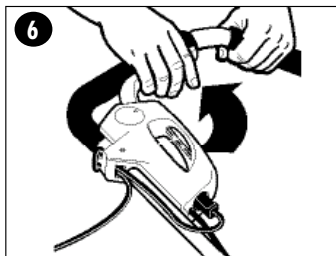
**DO NOT** connect the extension cord to power source until you have finished reading this manual and you are ready to start mowing.

1. The extension cord must be polarized and will only plug in one way, orient the wide slot with the wide blade in the switch housing.
2. Loop the extension cord and push the loop up through the hole in the switch housing.
3. Pull the extension cord on the side of the loop that is plugged into the switch housing and remove all the slack in this section of the extension cord.
4. Place the loop over the strain relief tab on the switch housing and pull the extension cord so the loop draws down around the strain relief tab as shown in the detail. Double check to see that you did not loosen the extension cord.



## SWITCH USE (FIGURE 6)

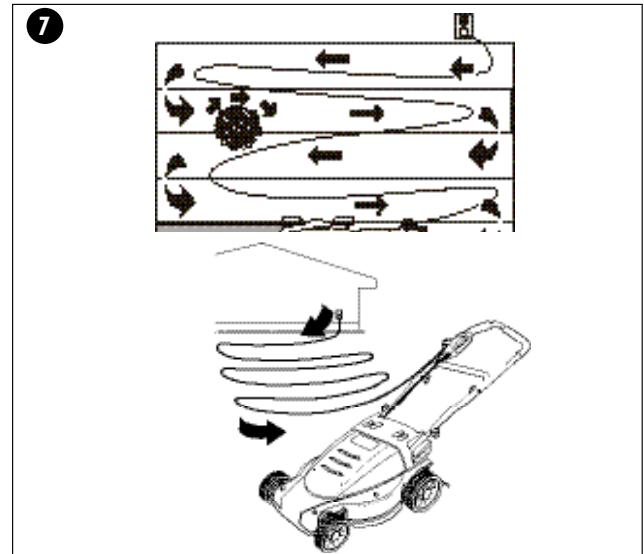
Your mower is equipped with a special switch. To operate the switch, insert your finger into the opening (Figure 6) and push the lever out so that you can grasp it with your other hand. Pull the lever back to turn the unit on and hold it against the mower handle to keep it running. To turn the mower off, just release the lever. The spring loaded "SNAP ACTION" lever will quickly turn the mower off.



**CAUTION: NEVER ATTEMPT TO OVERRIDE THE OPERATION OF THIS SWITCH.**

## EXTENSION CORD TO ELECTRICAL OUTLET (FIGURE 7)

1. Place most of the extension cord close to the electrical outlet, out of the path of the mower. Attach extension cord to mower.
2. Start in direction where extension cord side of mower is closest to the outlet. Begin mowing in the area closest to the outlet and mow in a back and forth manner. Note the cord is kept on cut portion of lawn and out of the path of the mower. (Figure 7)
3. Avoid mowing in circles as cord will be harder to manage.



## RECOMMENDED APPROXIMATE CUTTING HEIGHT

The cutting height should be higher in hot weather or shade, and lower for the last mow before winter.

COOL SEASON GRASSES		
TYPE	SHADE	SUN
CREeping BENT GRASS	1-1/3"	2/3"
VELVER BENT GRASS	1/4"	1/2"
ANNUAL BLUEGRASS	1/2"	1"
CANADA BLUEGRASS	3"	4"
KENTUCKY BLUEGRASS	2-1/2"	3"
ROUGH BLUEGRASS	1"	1-1/2"
SMOOTH BROMEGRASS	3"	4"
FINE RESUE	1-1/2"	2-1/2"
TALL FESCUE	2-1/2"	4"
ANNUAL RYEGRASS	2"	2-1/2"
WARM SEASON GRASSES		
TYPE	SHADE	SUN
BAHIA GRASS	2"	3"
BERMUDA GRASS	1/2"	1"
BUFFALO GRASS	1-1/2"	2-1/2"
CARPET GRASS	1"	2"
CENTIPEDE GRASS	1"	2"
ST. AUGUSTINE GRASS	2"	3"
ZOYSIA GRASS	1/2"	1"

**NOTE:** The cut height range for your mower is 1-1/4" to 3-1/2"

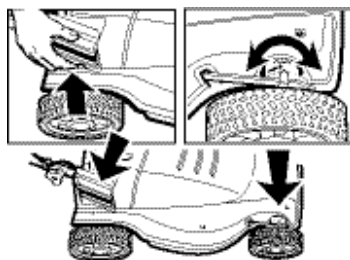
# OPERATION

## WHEEL HEIGHT ADJUSTMENT (FIGURE 8)

1. **BEFORE MAKING ANY ADJUSTMENTS, TURN OFF, UNPLUG MOWER AND WAIT FOR BLADE TO STOP.**
2. Your mower features the Sears one touch wheel height adjustment system. This system will adjust all four wheels at the same time.
3. To raise or lower the cutting height. See Figure 8. Rest the palm of your hand on the palm rest and with your fingers, squeeze upward on the finger grip and hold.
4. While holding the finger grip up you can raise or lower the cutting height. The mulcher has eight blade height adjustment positions. Refer to the scale and pointer (see Figure 8) at the front of the mower. The pointer will give you the height setting for cutting your lawn. This setting can be a reference for the next time you want to cut your lawn at the same height. When you have the mulcher at the height you would like, simply release the finger grip to lock the height adjust.

**Note:** To ensure that the deck is securely locked in one of the eight positions, press down on the palm rest after releasing the finger grip.

8



### CUTTING HEIGHT POSITIONS

Position	Cut
1 (LOW)	1-1/4"
2	1-1/2"
3	1-3/4"
4	2"
5	2-1/2"
6	3"
7	3-1/4"
8 (HIGH)	3-1/2"

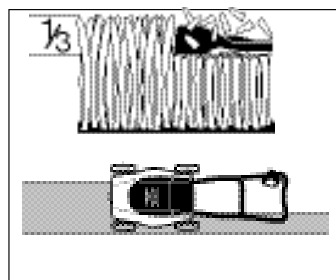


**CAUTION: DO NOT ATTEMPT TO UNCLOG THE BLADE CHAMBER BY DROPPING OR TAPPING THE TOOL ON THE GROUND. THIS CAN DAMAGE THE UNIT. KEEP HANDS CLEAR OF BLADE WHEN CLEANING.**

## MULCHING TIPS

In the mulching configuration your new mower is designed to re-cut the grass clippings into short lengths. These clippings, which are dispersed as you mow will biodegrade quickly and provide nutrients for the lawn.

- Set mower at highest cutting height when mowing in rough ground or in tall weed.
- Avoid cutting the lawn when it is wet. Wet grass tends to form clumps with the mulching action. The best time to cut your lawn is in the afternoon.
- For best results, adjust the lawnmower cutting height so that the lawnmower cuts off only the top third of the grass blades.
- If your lawn is overgrown it may be necessary to increase the cutting height to reduce the pushing effect and prevent overloading the motor.
- For extremely heavy mulching make narrower cuts and mow slowly.
- Change your cutting pattern from week to week. Mow north to south one week and east to west the next week. This will help prevent matting and graining of the lawn.



## DISCHARGING (AVAILABLE AS AN OPTION AT EXTRA COST)

The mower, with optional discharge chute, can be used to discharge grass clippings back to the lawn.

1. Discharging may be necessary if the grass is too long to mulch or the bag fills too quickly.
2. Clippings may be further dispersed, if needed, by blowing them with a yard blower.
3. In heavy grass conditions, a narrower pass may be required

## BAGGING

It is recommended to bag the clippings for the first few spring mowings and the last mowing of the season to discourage diseases.

1. Bagging the clipping is sometimes preferred to reduce tracking of clippings into pools, hot tubs, and homes.
2. Clippings can be added to your compost bin and used later for a natural fertilizer.

# MAINTENANCE

Before each mowing session unplug the mower and ensure that the blade has stopped. Check all nuts, bolts and screws to ensure proper tightness, Be sure to check the blade fastening system.

**IMPORTANT:** To assure product SAFETY and RELIABILITY, repairs, maintenance and adjustment (including brush inspection and replacement) should be performed by SEARS Service Centres or other qualified service organizations, always using Sears replacement parts. When servicing use **ONLY IDENTICAL REPLACEMENT PARTS.**

Inspect and thoroughly clean your mower at the beginning of each mowing season for longer life and better performance.

From time to time turn the mower off and wait for the blade to stop. Then unplug the power cord and turn the mower on its side. Using an object such as a stick or rag, wipe out any accumulation of grass in the blade area. Also clean out any grass or debris which may be packed around the discharge/mulch door area. Be careful of the sharp edges of the blade.

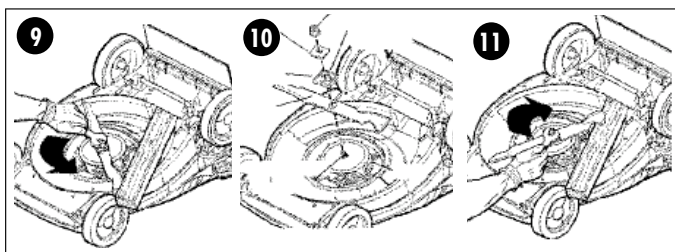


# SERVICE and ADJUSTMENTS

## REMOVING AND ATTACHING BLADES (FIGURE 9,10,11)

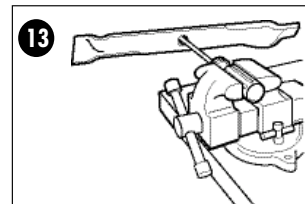
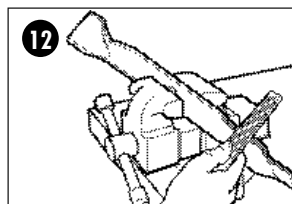
1. **RELEASE SWITCH LEVER TO TURN MOWER OFF, WAIT FOR THE BLADE TO STOP, AND UNPLUG MOWER!**
2. Use a piece of 2x4 wood (about 2 feet long) to keep blade from turning while removing blade nut.
3. Wear gloves. Position wood and remove nut as shown in Figure 9.
4. Remove lower blade spacer, lower insulator washer and blade. (Figure 10)
5. When replacing sharpened or new blade on shoulder of fan, make sure the "GRASS SIDE" identification on the blade is facing the ground. Place lower insulator washer over shoulder of the fan. Now place lower blade spacer and the blade nut on the shaft.

**NOTE:** Align flats of shaft with flats in lower insulator washer and lower the blade space. Position wood to keep shaft from turning (Figure 11) and then securely tighten blade nut.



## SHARPENING AND BALANCING THE BLADE: (FIGURE 12,13)

1. **BE SURE THE SWITCH LEVER IS RELEASED AND THE BLADE HAS STOPPED AND THE CORD UNPLUGGED BEFORE REMOVING THE BLADE.**
2. Remove blade from mower. See instructions for removing and attaching blade.
3. Secure blade in a vise as shown in Figure 12.
4. Wear safety glasses and be careful not to cut yourself.
5. Carefully file the cutting edges of the blade with a fine tooth file or sharpening stone.
6. Check balance of blade by placing centre hole in blade over a nail or screwdriver shank, clamped horizontally in a vise. If either end of the blade rotates down, file off additional material from that end. Blade is properly balanced when neither end drops. (Figure 13)
7. Replace blade on mower and tighten securely.



## LUBRICATION:

No lubrication is necessary. Do not oil the wheels. They have plastic bearing surfaces which require no lubrication.

## ACCESSORIES:

Recommended accessories for use with your lawnmower are available from your local dealer or authorized service center. If you need assistance regarding accessories, please call a SEARS Service Center or other qualified service organization.

# STORAGE

## CLEANING AND STORAGE

### Warning! Be sure the tool is unplugged.

Remove and clean any debris from the outside of the mower and inside of guard before storage. Store under cover. See **MAINTENANCE** section.

**NOTE:** Do not store the tool on or adjacent to fertilizers or chemicals. Such storage can cause rapid corrosion to metal parts.

### Preventing Corrosion

Fertilizers and other garden chemicals contain agents that greatly accelerate the corrosion of metals. If you use the tool in areas where fertilizers or chemicals have been used, the tool should be cleaned immediately afterwards.

Wipe all exposed parts with a damp cloth. You may lubricate only metal parts with a light petroleum based oil. Do not lubricate wheels.

Cleaning out the underside of the mower is done easiest immediately after mowing (**ENSURE MOWER IS UNPLUGGED AND BLADE HAS STOPPED**). A rag, crumpled newspaper or paper towels, can be used to wipe out caked clippings.

A clean mowing deck improves the efficiency of the blade and maintains high performance. When cleaning, **DO NOT** immerse tool in water or squirt it with a hose or pressure washer. Use only mild soap and damp cloth to clean the mower. Never let any liquid get inside the mower; never immerse any part of the mower into a liquid.



**CAUTION: DO NOT POUR OR SPRAY WATER ON THE MOWER IN AN ATTEMPT TO CLEAN IT.**

## TROUBLE SHOOTING/CORRECTIVE ACTION GUIDE:

PROBLEM	CORRECTIVE ACTION
-Motor will not start	<ul style="list-style-type: none"> <li>- Check fuse or circuit breaker to ensure power is to outlet.</li> <li>- Check extension cord with another electrical device to ensure cord is good.</li> <li>- Call a SEARS Service Center or other qualified service organization.</li> </ul>
-Motor keeps slowing down	<ul style="list-style-type: none"> <li>- The underside of the mower may be plugged with clippings, UNPLUG mower and clean out.</li> <li>- Grass may be too tall, try pushing at a slower pace, or raise cut height.</li> <li>- Check blade sharpness and balance, and correct if required.</li> <li>- If mulching, it may be too much grass, UNPLUG mower and attach discharge chute to disperse grass</li> </ul>
-Runs but poor cut results	<ul style="list-style-type: none"> <li>- The blade may be dull, unplug mower and carefully check for sharpness.</li> <li>- Blade may be damaged (bent or badly chipped), UNPLUG mower and replace if necessary.</li> <li>- Grass may be too high or thick for cutting height, UNPLUG mower and raise cutting height.</li> </ul>
-Excess vibration	<ul style="list-style-type: none"> <li>- Blade may be loose, UNPLUG mower and check blade for tightness.</li> <li>- Blade may be bent or badly chipped , UNPLUG mower and replace if necessary.</li> <li>- Blade may be unbalanced. Refer to blade balancing section of instruction manual.</li> </ul>
-Mower is hard to push	<ul style="list-style-type: none"> <li>- Mower is too close to the ground with the amount of grass being cut, UNPLUG mower and raise cutting height.</li> <li>- UNPLUG mower and check wheels and axles to ensure all are rotating easily.</li> </ul>
-Mower leaves clumps of grass	<ul style="list-style-type: none"> <li>- Too much grass, UNPLUG mower and raise cutting height.</li> <li>- If mulching, it may be too much grass, UNPLUG mower and attach discharge chute to disperse grass</li> <li>- UNPLUG mower and carefully check blade for sharpness.</li> <li>- Grass may be too wet to cut. Wait for grass to dry.</li> </ul>
-Discharge/Bag plugging	<ul style="list-style-type: none"> <li>- Grass may be too wet, try again when grass is dry.</li> <li>- Too much grass, UNPLUG mower and raise cutting height.</li> </ul>

**SEARS LAWNMOWER - MODEL NUMBER C935-355190**

PICTURE OF UNIT WITH CALLOUTS

PARTS LIST

# SEARS

## *owner's manual*

**Models  
C935-355190**

# SEARS

*SERVICE  
is  
at  
YOUR  
SERVICE*

Model may be found on the Nameplate on rear of mower housing.

You should record Model Number and keep in a safe place for future reference.

### HOW TO ORDER REPAIR PARTS

Each lawnmower has its own MODEL NUMBER.

The MODEL NUMBER for the lawnmower will be found on a plate attached to your lawnmower at the REAR OF THE HOUSING.

Always mention the MODEL NUMBER when requesting service or repair parts for your lawnmower.

All parts listed herein may be ordered through SEARS CANADA INC. RETAIL OR CATALOGUE STORES AND SERVICE CENTRES. If the parts you need are not stocked locally, your order will be electronically transmitted to a SEARS Parts Distribution Centre for expedited handling.

When ordering parts by mail, selling prices will be furnished on request or parts will be shipped at prevailing prices and you will be billed accordingly.

WHEN ORDERING REPAIR PARTS, ALWAYS GIVE THE FOLLOWING INFORMATION:

1. PART NUMBER
2. PART DESCRIPTION
3. MODEL NUMBER
4. NAME OF THE ITEM

Your Sears merchandise takes on added value when you discover that Sears has service units throughout the country. Each is staffed by Sears-trained, professional technicians using Sears-approved methods.

---

SEARS CANADA INC., TORONTO, ONTARIO M5B 2B8

Get it fixed, at your home or ours!

Just Call:

**1-800-4-MY-HOME<sup>®</sup>**

(1-800-469-4663)

24 hours a day, 7 days a week

For the repair of major brand appliances **in your own home** ...  
no matter who made it, no matter who sold it!

For your nearest **Sears Parts & Service** location,  
to bring in products like vacuums, lawn equipment and electronics.

For **Sears Parts & Service**, to order the replacement parts,  
accessories and owner's manuals that you need to do-it-yourself.

sears.ca

---

To purchase or inquire about a Sears Maintenance Agreement, call:

**1-800-361-6665**

9 a.m. – 8 p.m. Mon. – Fri. EST, 9 a.m. – 4 p.m. Sat.

---

Pour service en français:

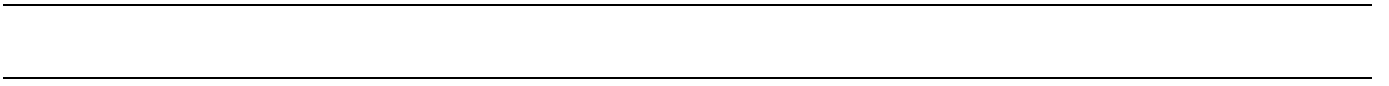
**1-800-LE-FOYER<sup>(MD)</sup>**

(1-800-533-6937)

sears.ca



®/™ Trademarks of Sears, Roebuck and Co. used under license by Sears Canada  
(MD)Marque déposée/ (MC)Marque de commerce de Sears, Roebuck and Co. utilisée en vertu d'une licence de Sears Canada



# SEARS

## *Guide d'utilisation*

N° de modèle  
C935-355190

- Assemblage
- Fonctionnement
- Pièces de rechange
- Garantie

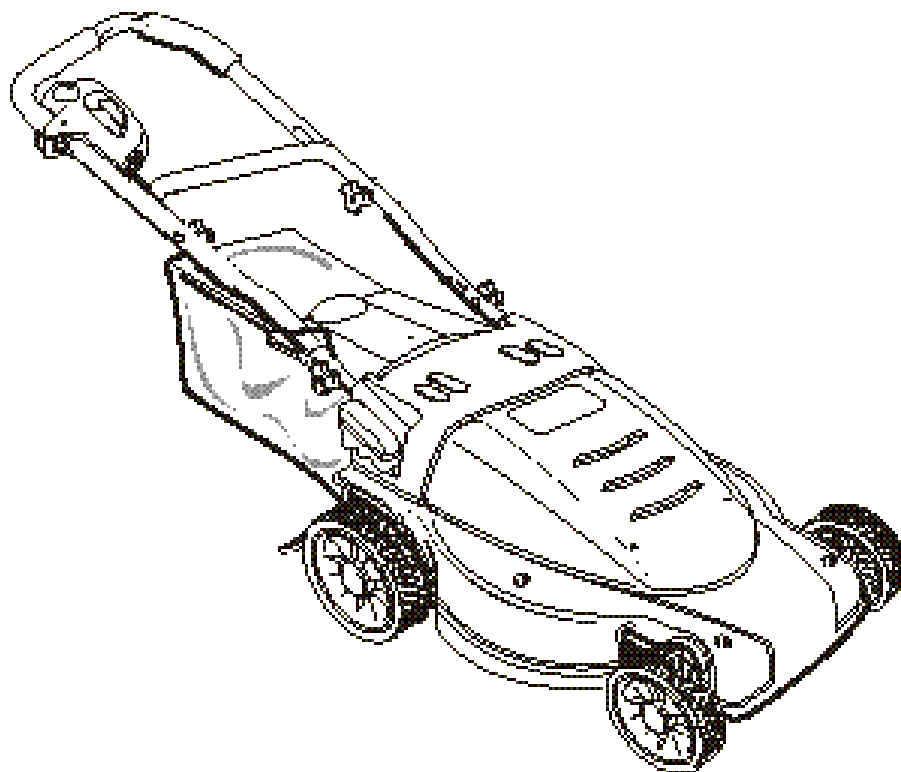
### MISE EN GARDE

Vous devez lire et comprendre  
les directives du présent guide  
avant d'utiliser l'appareil.

# SEARS

# CRAFTSMAN<sup>MD</sup>

## **TONDEUSE DE 48 cm (19 po)**



**SEARS CANADA INC., TORONTO, ONTARIO M5B 2B8**



# TABLE DES MATIÈRES

Garantie .....	i
Mesures de sécurité.....	1
Assemblage .....	2
Fonctionnement .....	4
Entretien.....	6
Entreposage .....	7
Liste de dépannage.....	8
Pièces de rechange .....	9
Commande de pièces.....	11

## AVIS

Il existe en Amérique du Nord des normes de sécurité relatives à la conception des tondeuses destinées aux consommateurs.

Ces normes ont pour but de réduire les risques de blessures causées par les contacts avec la lame.

La tondeuse a donc été conçue en fonction des caractéristiques recommandées qui comprennent entre autres :

- des interrupteurs de sécurité et un système de freinage de la lame qui immobilisent la lame en moins de trois secondes lorsque vous relâchez la poignée-interrupteur;
- un dispositif de démarrage du côté de l'utilisateur qui empêche la tondeuse de redémarrer lorsqu'une personne se trouve à proximité de la lame.

VOUS ÊTES PRIÉS DE NE PAS TENTER DE NEUTRALISER CES CARACTÉRISTIQUES. ELLES ONT ÉTÉ MISES AU POINT AFIN D'ASSURER VOTRE SÉCURITÉ.

## GARANTIE DES TONDEUSES CRAFTSMAN<sup>md</sup>

Une tondeuse Craftsman qui fait défaut dans les deux ans suivant la date d'achat en raison de vice de matière ou de fabrication sera réparée sans frais dans les magasins Sears Canada Inc. («Sears»).

### GARANTIE PROLONGÉE DU CHÂSSIS

Tondeuse Craftsman dotée d'un tablier en résine (garantie à vie sur le tablier). Pièces et main-d'oeuvre incluses.

### UTILISATION À DES FINS COMMERCIALES OU LOCATIVES

Lorsque l'outil sert à des fins commerciales ou locatives, la présente garantie ne vaut que pour une période de 90 jours à partir de la date d'achat.

La présente garantie NE couvre PAS :

1. Les pièces qui peuvent s'user pendant l'utilisation normale (comme les lames).
2. Les réparations requises suite à une mauvaise utilisation ou à la négligence de l'utilisateur, y compris les dommages au moteur résultant du heurt de corps étrangers (cailloux, racines, souches par exemple).
3. Le manque d'entretien recommandé dans le présent guide.
4. L'entretien effectué par l'utilisateur.

Vous pouvez vous prévaloir de la garantie en retournant la tondeuse électrique Craftsman au centre de service Sears de la région, au Canada. La présente garantie ne vaut que pour l'utilisation de la tondeuse au Canada.

La présente garantie s'ajoute à toute autre garantie prévue par la loi. Elle n'exclut ni ne limite tout autre droit conféré par une loi provinciale. En outre, certaines provinces NE permettent PAS la limite de la durée de la garantie; ce qui peut annuler certaines conditions précitées.

Sears Canada Inc., Toronto (Ontario) M5B 2B8

# IMPORTANTES MESURES DE SÉCURITÉ



**AVERTISSEMENT :** Afin de réduire les risques d'incendie, de secousses électriques ou de blessures lorsque vous utilisez des outils électriques, il faut toujours respecter les mesures de sécurité suivantes.

**AVERTISSEMENT :** Le produit renferme des produits chimiques, dont du plomb. Selon l'état de la Californie, ce produit chimique peut causer le cancer ainsi que des malformations congénitales, et il présente d'autres dangers au système reproductif humain. Se laver les mains après l'utilisation.

**AVERTISSEMENT :** Le produit génère de la poussière qui peut renfermer des produits chimiques. Selon l'état de la Californie, ces produits chimiques peuvent causer le cancer ainsi que des malformations congénitales, et ils présentent d'autres dangers au système reproductif humain. Voici des exemples de tels produits chimiques :

- les composés d'engrais;
- les composés d'insecticides, d'herbicides et de pesticides;
- l'arsenic et le chrome provenant de bois traité.

Afin de minimiser les risques, porter de l'équipement de sécurité approuvé comme des masques antipoussières spécialement conçu pour filtrer les particules microscopiques.

**MISE EN GARDE :** Porter un dispositif approprié de protection de l'ouïe lors de l'utilisation du produit. Dans certaines conditions et durées d'utilisation, le produit peut émettre un niveau de bruit provoquant la perte de l'ouïe.

## IMPORTANT

DES RÈGLEMENTS NATIONAUX EXIGENT L'UTILISATION DE DISPOSITIFS DE BLOCAGE DE LA LAME EN CAS D'ABSENCE DE L'UTILISATEUR AFIN DE MINIMISER LES RISQUES DE BLESSURES CAUSÉES PAR LES LAMES. LA TONDEUSE EST DOTÉE DE CES MÉCANISMES. IL EST STRICTEMENT INTERDIT DE NEUTRALISER CES DISPOSITIFS.

### IMPORTANTES MESURES DE SÉCURITÉ : FICHE POLARISÉE

Le produit est muni d'une fiche polarisée (une lame plus large que l'autre) afin de minimiser les risques de secousses électriques.

Le produit doit alors être utilisé avec un cordon de rallonge bifilaire ou trifilaire approprié. Ce genre de fiche n'entre que d'une façon dans une prise polarisée. S'assurer que la prise de la rallonge possède une fente plus large que l'autre. Lorsqu'on ne peut insérer la fiche à fond dans la rallonge, il faut tenter de le faire après avoir inversé les lames de côté. Si la fiche n'entre toujours pas dans la rallonge, il faut se procurer une rallonge appropriée. Lorsqu'on ne peut insérer la fiche de la rallonge à fond dans la prise murale, il faut communiquer avec un électricien certifié pour qu'il installe une prise appropriée. Il ne faut pas modifier la fiche de l'outil ni celle de la rallonge.

### MESURES DE SÉCURITÉ POUR TOUS LES OUTILS

**L'OUTIL PRÉSENTE DES RISQUES.** Respecter tous les avertissements et mesures de sécurité du présent guide et ceux indiqués sur l'outil; l'utilisateur a la responsabilité de s'y conformer. Seules les personnes qui ont lu et compris ces avertissements et mesures de sécurité, et qui ont l'intention de s'y conformer peuvent se servir de l'outil de jardinage électrique.

- **TENIR COMPTE DU MILIEU DE TRAVAIL.** Ne pas utiliser l'outil dans un endroit mouillé ou humide. Ne pas se servir l'outil sous la pluie.
- **ÉLOIGNER LES ENFANTS.** Tous les visiteurs et les animaux domestiques doivent être tenus à l'écart de l'aire de travail.
- **RANGER LES OUTILS INUTILISÉS À L'INTÉRIEUR.** Il faut ranger les outils dans un endroit sec et sûr, hors de la portée des enfants.
- **NE JAMAIS FORCER L'OUTIL.** Afin d'obtenir un rendement efficace et avec moins de risques de blessures, utiliser l'outil à son rendement nominal.
- **UTILISER L'OUTIL APPROPRIÉ.** Se servir de l'outil selon l'usage prévu.
- **PORTER DES VÊTEMENTS APPROPRIÉS.** Éviter de porter des vêtements amples et des bijoux qui peuvent être happés par les pièces en mouvement. Porter des gants de caoutchouc, des pantalons et des chaussures robustes à semelle antidérapante pour travailler à l'extérieur. Ne pas se servir de l'outil pieds nus ou en sandales.
- **PORTER DES LUNETTES DE SÉCURITÉ ET AUTRE ÉQUIPEMENT DE SÉCURITÉ.** Porter des lunettes de protection ou de sécurité à écrans latéraux, conformément aux normes de sécurité appropriées, et, au besoin, un écran facial. Porter également un masque respiratoire si le travail de coupe produit de la poussière. La présente mesure vaut pour toute personne dans la zone de travail. Il faut également porter un casque, des protège-tympans, des gants et des chaussures de sécurité ainsi qu'utiliser des systèmes de dépoussiérage lorsque spécifié ou exigé.
- **NE PAS MANIPULER LE CORDON DE FAÇON ABUSIVE.** Ne pas transporter l'outil par le cordon ni tirer sur ce dernier pour le débrancher de la prise. Éloigner le cordon des sources de chaleur, des flaques d'huile et des arêtes tranchantes.
- **NE PAS DÉPASSER SA PORTÉE.** Toujours demeurer dans une position stable et garder son équilibre.
- **PRENDRE SOIN DES OUTILS.** S'assurer que le rebord tranchant est propre et affûté afin d'optimiser le rendement de l'outil et de minimiser les risques de

blessures. Suivre les directives concernant la lubrification et le remplacement des accessoires. Inspecter régulièrement le cordon de l'outil et le faire réparer au besoin à un atelier d'entretien autorisé. Inspecter régulièrement les cordons de rallonge et les remplacer lorsqu'ils sont endommagés. S'assurer que les poignées sont toujours propres, sèches et libres de toute tache d'huile ou de graisse.

- **DÉBRANCHER LES OUTILS NON UTILISÉS.** Respecter cette mesure lorsqu'on ne se sert pas de l'outil, ou qu'on doit le réparer ou en changer un accessoire.
- **LAISSER LES PROTECTEURS** en place et en bon état.
- **ÉVITER LES DÉMARRAGES ACCIDENTELS.** Ne pas laisser le doigt sur l'interrupteur lorsqu'on transporte l'outil. S'assurer que l'interrupteur est à la position hors circuit lorsqu'on branche l'outil.
- **AVANT D'UTILISER L'OUTIL,** toujours vérifier la lame, les attaches de la lame et le couteau de la tondeuse pour s'assurer qu'ils ne sont ni usés ni endommagés. Remplacer les lames et les attaches usées ou endommagées ensemble pour en maintenir l'équilibre. S'assurer que le cordon de rallonge est en bon état. L'isolation du cordon doit être intacte, sans fissures ni usure.
- **CORDONS DE RALLONGE.** S'assurer que le cordon de rallonge est en bon état. L'isolation du cordon doit être intacte, sans fissures ni usure. Les connecteurs de la fiche ne doivent pas être endommagés. Lorsqu'on se sert d'un cordon de rallonge, s'assurer qu'il est de calibre approprié pour la tension nécessaire au fonctionnement de l'outil. L'utilisation d'un cordon de calibre inférieur occasionne une baisse de tension entraînant une perte de puissance et la surchauffe; ce qui peut réduire la durée du moteur. Le tableau suivant indique le calibre approprié selon la longueur du cordon et les mentions de la plaque signalétique de l'outil. En cas de doute, utiliser un cordon de calibre supérieur. Le chiffre indiquant le calibre est inversement proportionnel au calibre du cordon.

Tension	Calibre minimal des cordons de rallonge				
	Longueur totale du cordon en pieds				
120 V	0-25	26-50	51-100	101-150	
240 V	0-50	51-100	101-200	201-300	
Intensité (A)		Calibre moyen des fils (AWG)			
Au moins	Au plus				
0	- 6	18	16	16	14
6	- 10	18	16	14	12
10	- 12	16	16	14	12
12	- 16	14	12	Non recommandé	

- signifie que la tondeuse comporte une "DOUBLE ISOLATION".
- **AVERTISSEMENT RELATIF À L'UTILISATION DE RALLONGES À L'EXTÉRIEUR :** Afin de réduire les risques de secousses électriques, utiliser seulement un cordon de rallonge conçu pour l'extérieur et portant une des mentions suivantes : SW-A, SOW-A, STW-A, STOW-A, SJW-A, SJOW-A, SJTW-A ou SJTOW-A.
- **UN DISJONCTEUR DIFFÉRENTIEL** devrait être installé sur les prises ou les circuits utilisés pour alimenter les outils de jardinage. Il existe des prises pourvus de disjoncteurs différentiels intégrés qui peuvent servir à cet effet.



**RECHERCHEZ CE SYMBOLE, IL SIGNALE LES MESURES DE SÉCURITÉ IMPORTANTES. IL SIGNIFIE : «ATTENTION - FAITES PREUVE DE VIGILANCE - VOTRE SÉCURITÉ EST EN JEU.»**

- **DEMEURER VIGILANT.** Travailler avec vigilance et faire preuve de bon sens. Ne pas se servir de l'outil lorsqu'on est fatigué ou après avoir ingéré des drogues ou de l'alcool.
- **VÉRIFIER LES PIÈCES ENDOMMAGÉES.** Avant d'utiliser de nouveau l'outil, bien vérifier un protecteur endommagé ou toute autre pièce défectueuse afin de déterminer si elle fonctionnera de façon appropriée et si elle remplira la fonction prévue. Vérifier l'alignement et les attaches des pièces mobiles, le degré d'usure des pièces et leur montage, ainsi que tout autre facteur susceptible de nuire au bon fonctionnement de l'outil. Faire réparer ou remplacer tout protecteur ou toute autre pièce endommagée dans un centre de service autorisé, sauf si le présent guide fait mention d'un avis contraire.
- **RÉPARATION ET ENTRETIEN.** Les réparations, l'entretien et les réglages non décrits dans le présent guide devraient être confiés au personnel d'un centre de service Sears ou d'un atelier d'entretien autorisé n'utilisant que des pièces de rechange identiques.
- **ACCESSOIRES.** L'utilisation de tout accessoire non recommandé pour le produit peut être dangereuse. Note : Pour obtenir de plus amples renseignements, consulter la rubrique «Accessoires» du présent guide.



#### MESURES DE SÉCURITÉ ADDITIONNELLES RELATIVES

- **BIEN VÉRIFIER LA ZONE** où on utilise la tondeuse et enlever tous les cailloux, bâtons, fils, os ou autres corps étrangers qui pourraient être projetés par la lame en mouvement. De tels objets projetés par la lame présente des risques de blessures graves.
- **NE JAMAIS** utiliser la tondeuse lorsque les pieds sont déchaussés ou recouverts de sandales.
- **NE PAS** tenter de modifier la hauteur des roues lorsque le moteur est en marche ni lorsque la tondeuse est branchée.
- **ÉLOIGNER** les mains et les pieds des pièces en mouvement. Se tenir à bonne distance de l'ouverture d'éjection en tout temps.

- **RELACHER LE LEVIER** de l'interrupteur pour arrêter la tondeuse avant de traverser les entrées et les chemins, ou lorsqu'on bascule le guidon.
- **LORSQUE LE MOTEUR CALE**, relâcher l'interrupteur pour mettre la tondeuse hors tension, attendre l'immobilisation de la lame et débrancher la tondeuse avant de débloquer le couloir d'éjection ou de retirer des objets coincés sous la tondeuse.
- **LORSQUE LA LAME DE LA TONDEUSE HEURTE** un corps étranger, relâcher le levier de l'interrupteur, attendre l'immobilisation complète de la lame, débrancher la tondeuse, s'assurer que la tondeuse n'a pas été endommagée et la réparer avant de l'utiliser de nouveau.
- **LORSQUE LA** tondeuse commence à vibrer de façon anormale, relâcher le levier de l'interrupteur, attendre l'immobilisation complète de la lame, débrancher la tondeuse et rechercher immédiatement la cause des vibrations. Ces dernières sont habituellement un signe de dérangement.
- **RELACHER LE LEVIER** de l'interrupteur pour arrêter le moteur, attendre l'immobilisation de la lame et débrancher la tondeuse lorsqu'on laisse la tondeuse sans surveillance, avant de retirer le sac à herbe, de débloquer le châssis ou le couloir d'éjection, de nettoyer le carter de la tondeuse, et lors de réparations ou d'inspection.
- **TONDRE EN TRAVERS** dans le cas d'une pente et non en va-et-vient vertical. Faire attention lorsqu'on change de sens sur une pente. Ne pas tondre les pentes abruptes.
- **ÉLOIGNER** les mains et les pieds de la zone de coupe.
- **S'ASSURER QUE LES LAMES** sont toujours affûtées.
- **LORSQU'ON** utilise un sac à herbe, en vérifier fréquemment l'usure. Lorsque le sac est bien usé, le remplacer.
- **FAIRE PREUVE D'UNE EXTRÊME PRUDENCE** lorsqu'on modifie la course de la tondeuse ou qu'on la dirige vers soi.

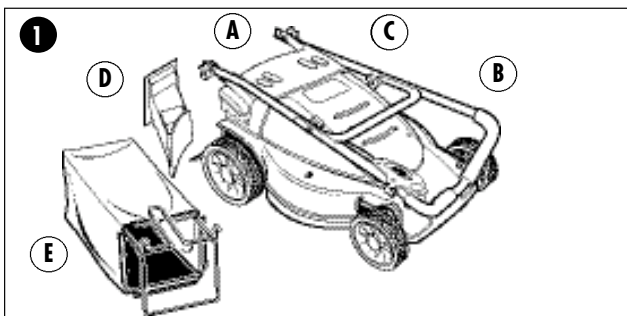
#### CONSERVER CES MESURES.

## ASSEMBLAGE

AVANT D'ASSEMBLER LA TONDEUSE, S'ASSURER QUE TOUTES LES PIÈCES SUIVANTES SE TROUVENT DANS L'EMBALLAGE.

VOIR LA FIGURE 1.

- Tondeuse
- Partie supérieure du guidon
- Partie inférieure du guidon
- Pièce rapportée de déchetage (dans la tondeuse près de la porte arrière)
- Sac à herbe et cadre du sac

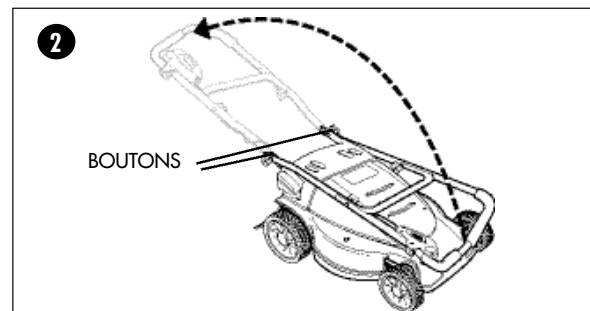


#### DÉBALLAGE

1. L'emballage de la tondeuse renferme la tondeuse, deux parties du guidon (fixées), une pièce rapportée de déchetage et un sac à herbe avec un cadre.
2. La tondeuse a été complètement montée en usine, à l'exception du sac à herbe. Sortir le cadre du sac à herbe, le sac à herbe, la tondeuse et les matériaux d'emballage.

#### DÉPLIAGE ET RÉGLAGE DU GUIDON (FIGURE 2)

1. **DÉBRANCHER L'OUTIL ET ATTENDRE L'IMMOBILISATION COMPLÈTE DE LA LAME.**
2. Soulever le guidon en place et le fixer en serrant les deux boutons. Prendre soin de ne pas pincer ni endommager le cordon d'alimentation lors du réglage du guidon.
3. Il y a trois trous dans la partie supérieure du guidon permettant d'en régler la hauteur à trois positions. Choisir le trou convenant le mieux à sa taille. Installer les boulons du côté intérieur du guidon de sorte que les boutons se trouvent du côté extérieur (afin de ne pas nuire au fonctionnement de la porte arrière et du sac). Bien serrer les boutons.

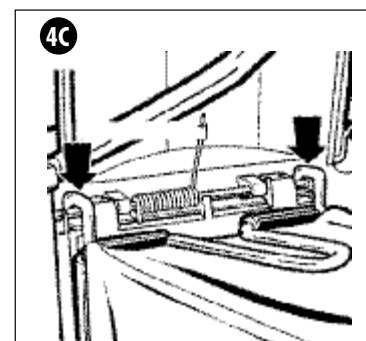
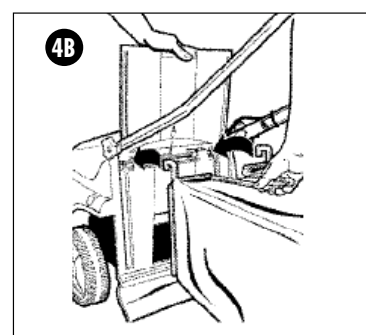
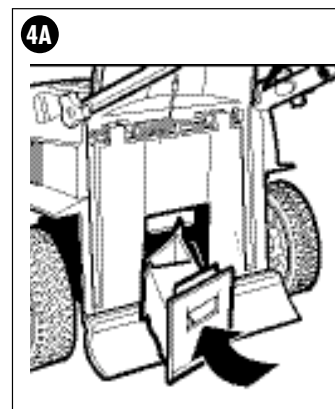
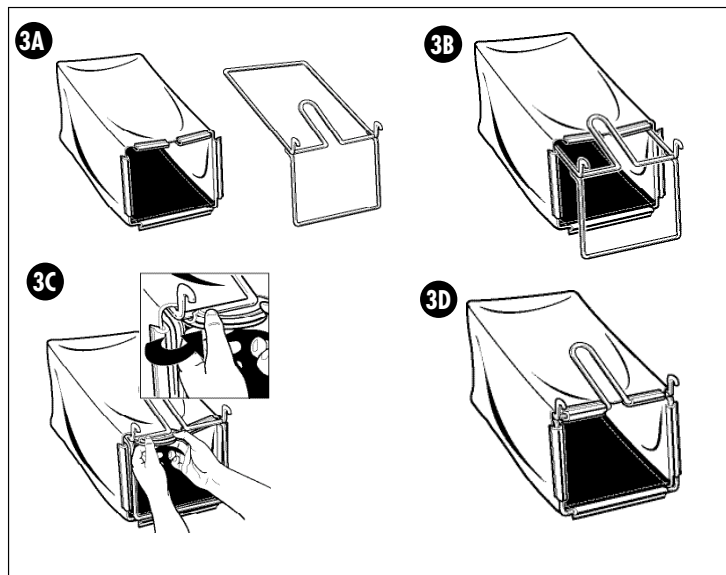


MISE EN GARDE : N'UTILISEZ JAMAIS un objet pointu pour déplacer des câbles sous gaine.

# ASSEMBLAGE

## MONTAGE DU SAC À HERBE (FIGURES 3A, 3B, 3C ET 3D)

1. DÉBRANCHER L'OUTIL ET ATTENDRE L'IMMOBILISATION COMPLÈTE DE LA LAME.
2. Avant de monter le sac sur le cadre, vérifier le sac et le cadre pour s'assurer qu'ils correspondent à ceux illustrés à la figure 3A.
3. Faire glisser le sac sur le cadre de la façon illustrée à la figure 3B.
4. Commencer par fixer les pinces supérieures (fig. 3C), puis les deux pinces latérales et, enfin, la pince inférieure.
5. Voir le sac complètement assemblé à la figure 3D.



## DÉCHIQUETAGE

La tondeuse est conçue pour déchiqeter ou éjecter les brindilles selon que la porte de déchiqetage soit fermée (déchiqetage) ou soulevée et que le couloir d'éjection soit en place (éjection). Le mode de déchiqetage ne nécessite aucun assemblage. CONTINUER À LA RUBRIQUE RELATIVE AU FONCTIONNEMENT.

## INSTALLATION DU SAC À HERBE (FIGURES 4A, 4B ET 4C)

(Faire ce qui suit pour ensacher les brins d'herbes plutôt que de les déchiqeter.)

1. DÉBRANCHER L'OUTIL ET ATTENDRE L'IMMOBILISATION COMPLÈTE DE LA LAME.
2. Soulever la porte d'éjection arrière comme le montre la figure 4A.
3. Placer la main dans le creux illustré à la figure 4A, puis soulever et retirer complètement la pièce rapportée de déchetage.
4. Soulever le sac à herbe par sa poignée et l'abaisser entre le guidon de la tondeuse (fig. 4B). Placer les crochets du sac à herbe sur la tondeuse de la manière illustrée à la figure 4C. La porte d'éjection arrière comporte un ressort. Lorsqu'on la relâche, elle repose contre le dessus du sac.

**⚠ Avertissement :** Ne jamais utiliser la tondeuse si les crochets du support du sac à herbe ne sont pas bien installés sur la tondeuse et si la porte d'éjection arrière ne repose pas bien contre le dessus du sac à herbe.

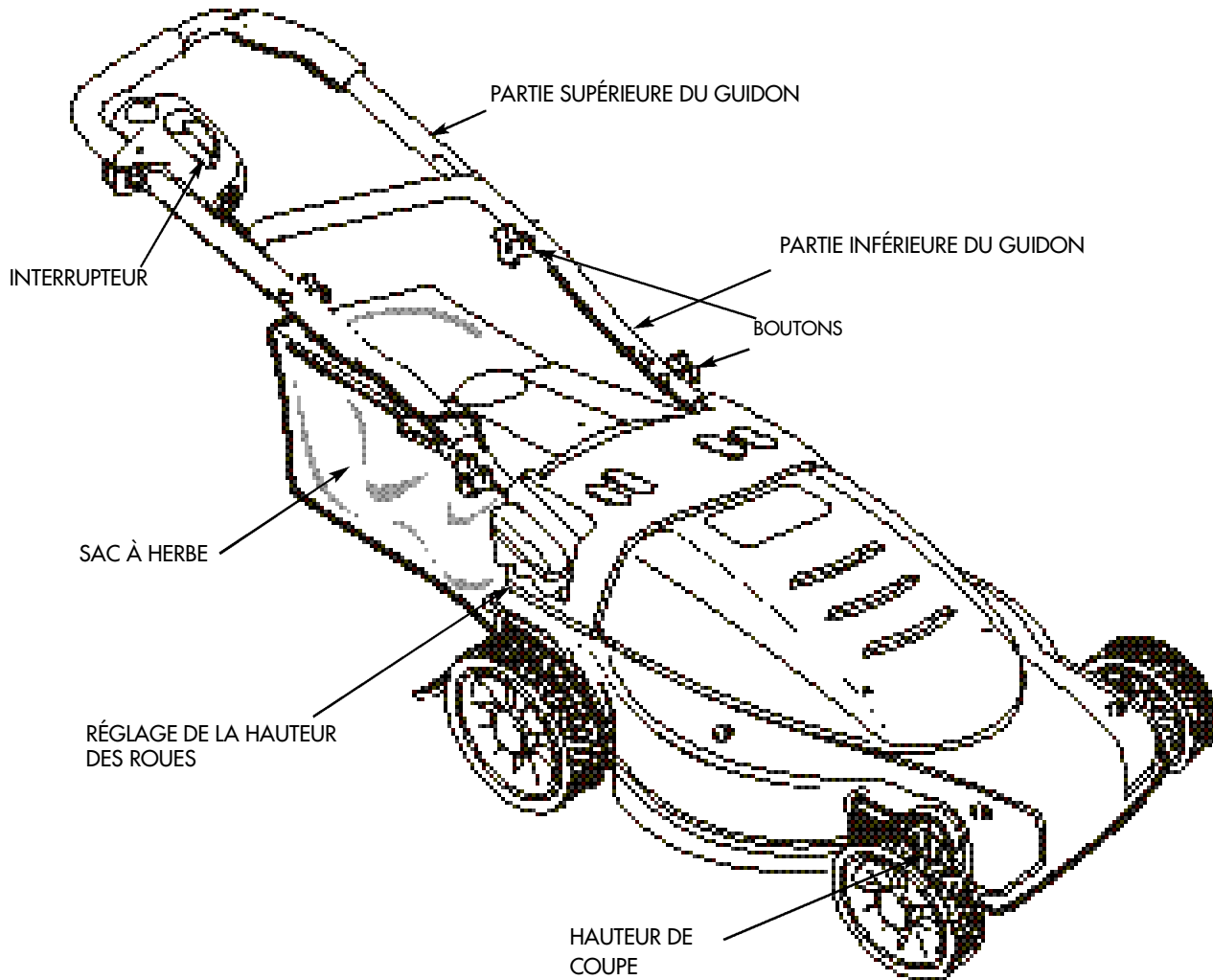
## INSTALLATION DE LA PIÈCE RAPPORTÉE DE DÉCHIQUETAGE

1. DÉBRANCHER L'OUTIL ET ATTENDRE L'IMMOBILISATION COMPLÈTE DE LA LAME.
2. Soulever la porte d'éjection arrière comme le montre la figure 4A.
3. Faire glisser la pièce rapportée de déchetage dans l'ouverture d'éjection jusqu'à ce que la pièce entre fermement en contact avec le châssis de la tondeuse.

# FONCTIONNEMENT

## CONNAISSEZ BIEN VOTRE TONDEUSE.

LISEZ LE PRÉSENT GUIDE D'UTILISATION ET LES MESURES DE SÉCURITÉ AVANT DE VOUS SERVIR DE LA TONDEUSE. Comparez les illustrations à la tondeuse afin de vous familiariser avec l'emplacement des différents dispositifs de réglage et de commande. Conservez le présent guide à titre de référence.



# FONCTIONNEMENT



**LORSQUE VOUS VOUS SERVEZ D'UNE TONDEUSE, DES OBJETS PEUVENT ÊTRE PROJETÉS DANS VOS YEUX ET VOUS BLESSER GRIÈVEMENT. PORTEZ TOUJOURS DES LUNETTES DE SÉCURITÉ AVANT DE COMMENCER À TONDRE ET PENDANT LA TONTE. NOUS VOUS RECOMMANDONS DE PORTER UN MASQUE PROTECTEUR PAR DESSUS VOS LUNETTES OU DES LUNETTES DE SÉCURITÉ STANDARD, EN VENTE CHEZ SEARS.**

**NOTE :** Une tondeuse consomme beaucoup d'énergie et il ne faudrait pas s'en servir en même temps que d'autres appareils énergivores.



**Avertissement :** S'assurer qu'il n'y a ni personnes ni animaux sur une distance d'au moins 30 m (100 pi).

## INSPECTION DE LA ZONE DE COUPE

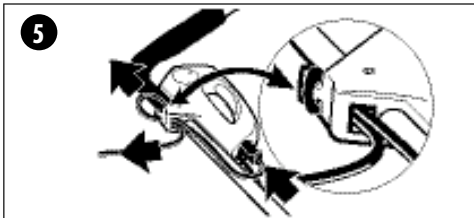


Enlever tous les cailloux, bâtons, fils, os ou autres corps étrangers qui pourraient être projetés par la lame en mouvement.

## FIXATION DU CORDON DE RALLONGE À LA TONDEUSE (FIGURE 5)

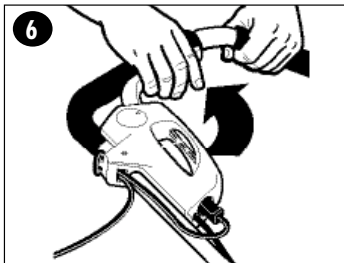
**NE PAS** raccorder la rallonge à la source d'alimentation avant d'avoir terminé la lecture du présent guide et d'être prêt à utiliser la tondeuse.

1. La rallonge doit être polarisée et ne se branche que d'une façon. Orienter la fente large vers la broche large du corps de l'interrupteur.
2. Faire une boucle avec la rallonge et pousser la boucle dans le trou du corps de l'interrupteur.
3. Tirer sur la section de la rallonge qui se trouve dans le corps de l'interrupteur afin d'enlever tout jeu.
4. Fixer la boucle sur la languette de retenue du corps de l'interrupteur et tirer sur la rallonge en accrochant le cordon sur la languette comme le montre le détail. S'assurer que la rallonge n'est pas lâche.



## UTILISATION DE L'INTERRUPTEUR (FIGURE 6)

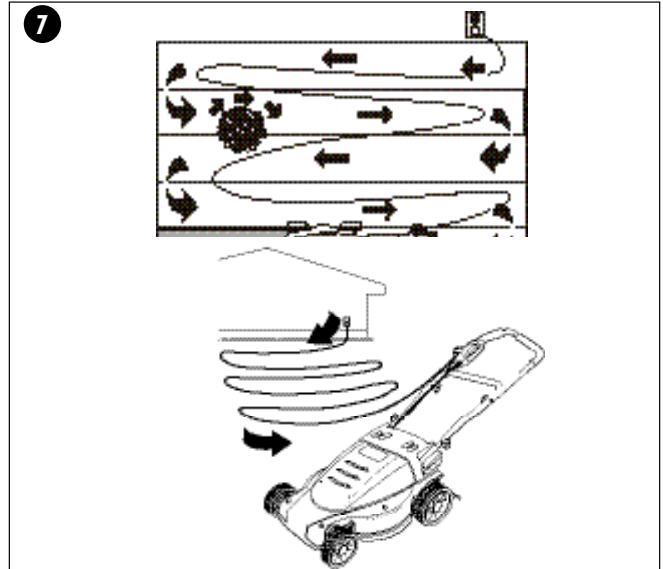
La tondeuse comporte un interrupteur particulier. Pour l'actionner, il faut insérer un doigt dans l'ouverture (fig. 6) et pousser sur l'interrupteur pour le faire sortir et l'attraper de l'autre main. Tirer l'interrupteur vers l'arrière pour actionner la tondeuse et l'appuyer contre le guidon pour assurer un fonctionnement continu. Il suffit de relâcher l'interrupteur pour arrêter la tondeuse. Le levier est muni d'un ressort à ACTION RAPIDE qui arrête rapidement la tondeuse.



**MISE EN GARDE :** NE JAMAIS TENTER DE NEUTRALISER LE BON FONCTIONNEMENT DE L'INTERRUPTEUR.

## RALLONGE PRÈS DE LA PRISE MURALE (FIGURE 7)

1. Déposer la rallonge près de la prise murale, loin du trajet de la tondeuse. Fixer la rallonge à la tondeuse.
2. Commencer à tondre le plus près possible de l'endroit où la rallonge est branché et effectuer un mouvement de va-et-vient. Laisser la rallonge reposer du côté taillé de la pelouse, loin du trajet de la tondeuse (fig. 7).
3. Éviter de se déplacer en cercles car le cordon sera plus difficile à manier.



## HAUTEUR DE COUPE RECOMMANDÉE

La hauteur de coupe devrait être plus élevée lorsque la température est élevée ou dans les endroits ombragés, et basse pour la dernière tonte avant l'hiver.

PELOUSE - TEMPÉRATURES FRAICHES		
TYPE	OMBRE	SOLEIL
HERBE RECOUBÉE RAMPANTE	33,7 mm (1 1/3 po)	16,7 mm (2/3 po)
HERBE RECOUBÉE VELOURS	6,3 mm (1/4 po)	12,7 mm (1/2 po)
PATURIN DES PRÉS	12,5 mm (1/2 po)	25,4 mm (1 po)
PATURIN COMPRIMÉ	76,2 mm (3 po)	101,6 mm (4 po)
HERBE BLEUE DU KENTUCKY	63,5 mm (2 1/2 po)	76,2 mm (3 po)
PTURIN DES PRÉS COMMUN	25,4 mm (1 po)	38,1 mm (1 1/2 po)
<b>BROME</b>	<b>76,2 mm (3 po)</b>	<b>101,6 mm (4 po)</b>
HERBE « RESCUE » FINE	38,1 mm (1 1/2 po)	63,5 mm (2 1/2 po)
HERBE « RESCUE » HAUTE	63,5 mm (2 1/2 po)	101,6 mm (4 po)
FROMENTAL	50,8 mm (2 po)	63,5 mm (2 1/2 po)
PELOUSE - TEMPÉRATURES CHAUDES		
TYPE	OMBRE	SOLEIL
HERBE DE BAHIA	50,8 mm (2 po)	76,2 mm (3 po)
HERBE DES BERMUDES	12,7 mm (1/2 po)	25,4 mm (1 po)
HERBE DE BUFFALO	38,1 mm (1 1/2 po)	63,5 mm (2 1/2 po)
HERBE « CARPET »	25,4 mm (1 po)	50,8 mm (2 po)
HERBE « CENTIPEDE »	25,4 mm (1 po)	50,8 mm (2 po)
HERBE « ST. AUGUSTINE »	50,8 mm (2 po)	76,2 mm (3 po)
HERBE « ZOYSIA »	12,7 mm (1/2 po)	25,4 mm (1 po)

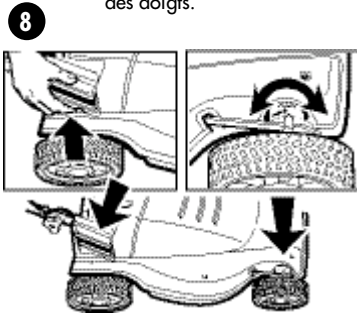
**NOTE :** Les positions de coupe de la tondeuse vont de 31,7 mm (1 1/4 po) à 88,9 mm (3 1/2 po).

# FONCTIONNEMENT

## RÉGLAGE DE LA HAUTEUR DES ROUES (FIGURE 8)

1. **AVANT DE RÉGLER L'OUTIL, METTRE LA TONDEUSE HORS TENSION, LA DÉBRANCHER ET ATTENDRE L'IMMOBILISATION COMPLÈTE DE LA LAME.**
2. La tondeuse est dotée du système monotouche de réglage de la hauteur des roues de Sears. Ce système permet de régler simultanément la hauteur des quatre roues.
3. Pour augmenter ou diminuer la hauteur de coupe, voir la figure 8. Placer la paume de la main sur l'appuie-main et se servir de ses doigts pour agripper la prise vers le haut et la retenir.
4. On peut augmenter ou diminuer la hauteur de coupe lorsqu'on retient la prise des doigts. La tondeuse-décheteteuse comporte huit réglages de la hauteur de coupe. Voir l'échelle et l'indicateur (fig. 8) à l'avant de la tondeuse. L'indicateur montre le réglage de la hauteur. Cette mesure peut servir de référence pour tondre à la même hauteur ultérieurement. Lorsque la tondeuse-décheteteuse est à la hauteur voulue, il suffit de relâcher la prise des doigts afin de bloquer l'outil à cette hauteur.

**Note :** Pour s'assurer que le châssis de la tondeuse est bien bloqué dans l'une des huit positions, abaisser l'appuie-main après avoir relâché la prise des doigts.



### POSITIONS POUR LA HAUTEUR DE COUPE

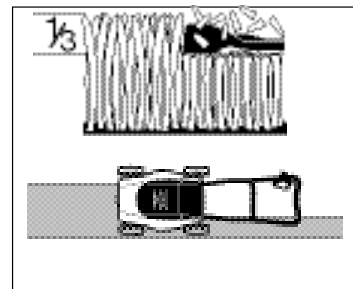
Position	Hauteur de coupe
1 (BASSE)	31,7 mm (1 1/4 po)
2	38,1 mm (1 1/2 po)
3	44,4 mm (1 3/4 po)
4	50,8 mm (2 po)
5	63,5 mm (2 1/2 po)
6	76,2 mm (3 po)
7	81,3 mm (3 1/4 po)
8 (ÉLEVÉE)	88,9 mm (3 1/2 po)

## DÉCHIQUETAGE

En mode de décheteteage, la tondeuse est conçue pour décheteter l'herbe coupée sur la pelouse.

Ces brindilles déchetetées sont dispersées pendant la tonte. Elles se dégradent biologiquement plus vite et elles servent de nutriments à la pelouse.

- Régler la tondeuse à la position la plus élevée lorsque le terrain est inégal ou lorsque l'herbe est haute.
- Éviter de tailler l'herbe lorsqu'elle est mouillée. L'herbe mouillée tend à former des tas lorsqu'on la déchetete. Le meilleur temps pour tondre la pelouse est au début de l'après-midi.
- Afin d'optimiser les résultats, régler la hauteur de coupe de sorte que la tondeuse ne coupe que le tiers de la hauteur de l'herbe.
- Lorsque l'herbe est haute, il peut être nécessaire d'augmenter la hauteur de coupe afin de minimiser l'effort de poussée et ainsi prévenir la surcharge du moteur.
- En cas de travaux intenses de décheteteage, effectuer des passes étroites et lentes.
- Modifier le sens de la coupe d'une semaine à l'autre. Tondre du sud au nord une semaine et de l'est vers l'ouest, l'autre afin de prévenir la formation d'un paillason ou le dégarnissage de la pelouse.



## COULOIR D'ÉJECTION (VENDU SÉPARÉMENT)

La tondeuse peut servir avec un couloir d'éjection (vendu séparément) afin de disperser l'herbe coupée sur la pelouse.

1. Il peut être nécessaire d'éjecter les brindilles si l'herbe est trop longue pour être déchetetée ou si le sac à herbe se remplit trop rapidement.
2. On peut disperser les brindilles un peu plus, le cas échéant, à l'aide d'une souffleuse.
3. Lorsque l'herbe est haute, il est conseillé de faire des passes étroites.

## SAC À HERBE

Il est conseillé d'ensacher l'herbe de la première coupe du printemps et de la dernière tonte de la saison afin d'éviter les maladies.

1. On préfère parfois ensacher l'herbe pour éviter qu'elle ne se retrouve dans la piscine, dans les bains tourbillons ou dans la maison.
2. On peut verser les brindilles dans le compost et s'en servir plus tard comme fertilisant naturel.



**MISE EN GARDE :** Ne pas tenter de débloquer la chambre de la lame en laissant tomber ou en frappant l'outil contre le sol. Cela risque d'endommager la tondeuse. Éloigner les mains de la lame lors du nettoyage.

# ENTRETIEN

Avant chaque utilisation, débrancher la tondeuse et s'assurer que la lame est immobilisée. Vérifier tous les écrous, boulons et vis afin de s'assurer qu'ils sont bien serrés. Vérifier également le système de fixation de la lame.

**IMPORTANT:** Pour assurer la SÉCURITÉ D'EMPLOI et la FIABILITÉ de l'outil, n'en confier la réparation, l'entretien et les ajustements qu'à un centre de service ou à un atelier d'entretien autorisé. **UTILISER SEULEMENT** des pièces de rechange identiques.

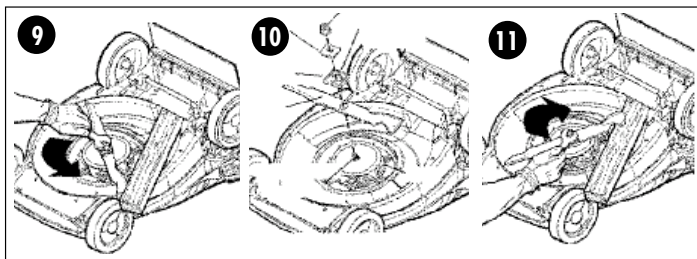
À l'occasion, mettre la tondeuse hors tension et attendre l'immobilisation de la lame. Puis, débrancher le cordon d'alimentation et déposer la tondeuse sur le côté. À l'aide d'un objet comme un bâton ou un chiffon, enlever toute accumulation de brindilles autour de la lame. Enlever également toute accumulation de brindilles près du couloir d'éjection ou de la zone de décheteteage. Prendre garde de ne pas se blesser sur les arêtes tranchantes de la lame.

# SERVICE ET RÉGLAGES

## INSTALLATION ET RETRAIT DE LA LAME (FIGURES 9, 10 ET 11)

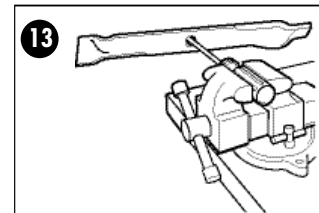
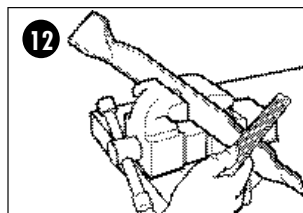
1. RELÂCHER LE LEVIER DE L'INTERRUPTEUR POUR ARRÊTER LA TONDEUSE, ATTENDRE L'IMMOBILISATION DE LA LAME ET DÉBRANCHER LA TONDEUSE!
2. Utiliser un morceau de bois de 10 cm sur 60 cm (2 po X 4 po) d'une longueur d'environ 10 cm (2 pi) afin d'empêcher la lame de tourner lorsqu'on retire l'écrou de la lame.
3. Porter des gants. Placer le morceau de bois et retirer l'écrou de la manière illustrée à la figure 9.
4. Retirer la cale inférieure de la lame, la rondelle isolante inférieure et la lame (fig. 10).
5. Lorsqu'on remet la lame affûtée ou une nouvelle lame sur l'épaulement du ventilateur, s'assurer que les arêtes tranchantes de la lame se dirigent vers le sol. Installer la rondelle isolante inférieure sur l'épaulement du ventilateur. Puis placer la cale inférieure de la lame et l'écrou de la lame sur l'arbre.

**NOTE :** Aligner les plats de l'arbre sur les plats de la rondelle isolante inférieure et abaisser la cale. Placer le bout de bois pour empêcher la lame de tourner (fig. 11) et bien serrer l'écrou de la lame.



## AFFÛTAGE ET ÉQUILIBRAGE DE LA LAME (FIGURES 12 ET 13)

1. RELÂCHER LE LEVIER DE L'INTERRUPTEUR POUR ARRÊTER LA TONDEUSE, ATTENDRE L'IMMOBILISATION DE LA LAME ET DÉBRANCHER LA TONDEUSE!
2. Enlever la lame de la tondeuse. Consulter les rubriques relatives au retrait et à l'installation de la lame.
3. Fixer la lame dans un étau (fig. 12).
4. Porter des lunettes de sécurité et prendre soin de ne pas se couper.
5. Limer avec soin les arêtes tranchantes de la lame avec une lime à dents fines ou une meule.
6. Vérifier l'équilibrage de la lame en accrochant cette dernière par son trou central sur un clou ou un tournevis retenu horizontalement dans un étau. Lorsqu'une extrémité de la lame s'abaisse, meuler ou limer cette extrémité. La lame est bien équilibrée lorsqu'aucun bout ne s'abaisse (fig. 13).
7. Remettre la lame en place et bien la serrer.



## LUBRIFICATION

Ne pas lubrifier. Ne pas graisser les roues. Celles-ci comportent des roulements en plastique qui ne nécessitent aucune lubrification.

## ACCESSOIRES

Les accessoires recommandés pour votre tondeuse sont disponibles chez votre détaillant ou centre de service autorisé local. Pour toute assistance relative aux accessoires, veuillez contacter le service clientèle SEARS ou tout autre centre de service qualifié.

# ENTREPOSAGE

## NETTOYAGE ET RANGEMENT

### Avertissement! S'assurer que la tondeuse est débranchée.

Enlever tous les brins d'herbe qui se sont accumulés sur la tondeuse et sous le protecteur, puis nettoyer la tondeuse avant de la ranger. Protéger des intempéries. Voir la rubrique relative à l'entretien.

**NOTE :** Ne pas ranger la tondeuse sur des produits fertilisants ou chimiques, ni près de ceux-ci car ils peuvent entraîner la corrosion rapide.

### Prévention de la corrosion

Les produits fertilisants et autres produits de jardinage renferment des agents qui accélèrent grandement le processus de la corrosion des métaux. Lorsqu'on utilise la tondeuse à des endroits où des produits fertilisants ou chimiques ont été répandus, nettoyer immédiatement la tondeuse.

Essuyer toutes les pièces exposées avec un chiffon humide. On peut seulement lubrifier les pièces métalliques avec une huile légère à base de pétrole. Ne pas lubrifier les roues.

Il est plus facile de nettoyer le dessous du châssis immédiatement après s'être servi de la tondeuse (**S'ASSURER QUE LA TONDEUSE EST DÉBRANCHÉE ET QUE LA LAME EST IMMOBILISÉE**). On peut utiliser un chiffon, du papier journal froissé ou de l'essuie-tout pour enlever les accumulations de brindilles. L'efficacité de la lame s'accroît lorsque le châssis de la tondeuse est propre. On s'assure de la sorte du rendement élevé de l'outil. Lors du nettoyage, NE PAS immerger l'outil ni l'arroser à l'aide d'un boyau ou d'un appareil sous pression. Utiliser seulement un savon doux et un chiffon humide pour nettoyer la tondeuse. Ne jamais laisser un liquide s'infiltrer dans la tondeuse; ne jamais l'immerger.



**MISE EN GARDE : N'ARROSEZ PAS LA TONDEUSE NI VERSEZ DE L'EAU SUR CELLE-CI DANS LE BUT DE LA NETTOYER.**



# LISTE DE DÉPANNAGE

PROBLÈME	SOLUTION
- Impossibilité de démarrer	<ul style="list-style-type: none"> <li>- Vérifier le fusible ou le disjoncteur de la prise pour s'assurer que celle-ci fonctionne.</li> <li>- Essayer la rallonge avec un autre outil pour la vérifier.</li> <li>- Contacter le service clientèle Sears ou tout autre centre de service qualifié.</li> </ul>
- Ralentissement du moteur	<ul style="list-style-type: none"> <li>- Il peut y avoir une accumulation de brindille sous le châssis. DÉBRANCHER la tondeuse et la nettoyer.</li> <li>- L'herbe peut être trop haute, avancer plus lentement ou soulever la hauteur de coupe.</li> <li>- Vérifier l'affûtage et l'équilibrage de la lame; corriger le cas échéant.</li> <li>- Lors du déchiquetage, l'herbe peut être trop dense. DÉBRANCHER la tondeuse et fixer le couloir d'éjection pour disperser les brindilles.</li> </ul>
- Tonte inégale	<ul style="list-style-type: none"> <li>- La lame peut être émoussée; débrancher la tondeuse et vérifier la lame.</li> <li>- La lame peut être endommagée (courbée ou très émêchée); DÉBRANCHER la tondeuse et remplacer la lame au besoin.</li> <li>- L'herbe peut être trop haute ou trop dense pour la hauteur de coupe; DÉBRANCHER la tondeuse et en augmenter la hauteur de coupe.</li> </ul>
- Vibrations excessives	<ul style="list-style-type: none"> <li>- La lame peut être lâche; DÉBRANCHER la tondeuse et bien serrer la lame.</li> <li>- La lame peut être endommagée (courbée ou très émêchée); DÉBRANCHER la tondeuse et remplacer la lame au besoin.</li> <li>- La lame peut être déséquilibrée. Consulter la rubrique relative à l'équilibrage de la lame du présent guide.</li> </ul>
- Tondeuse difficile à manier	<ul style="list-style-type: none"> <li>- La tondeuse est trop près du sol pour la quantité d'herbe à tondre; DÉBRANCHER la tondeuse et en augmenter la hauteur de coupe.</li> <li>- DÉBRANCHER la tondeuse et en vérifier les roues et les essieux pour s'assurer qu'ils tournent librement.</li> </ul>
- Tondeuse laisse des amas d'herbe	<ul style="list-style-type: none"> <li>- Il y a trop d'herbe; DÉBRANCHER la tondeuse et en augmenter la hauteur de coupe.</li> <li>- Lors du déchiquetage, l'herbe peut être trop dense. DÉBRANCHER la tondeuse et fixer le couloir d'éjection pour disperser les brindilles.</li> <li>- DÉBRANCHER la tondeuse et vérifier si la lame est bien affûtée.</li> <li>- L'herbe peut être trop mouillée pour être coupée. Attendre que l'herbe sèche.</li> </ul>
- Blocage du couloir ou du sac	<ul style="list-style-type: none"> <li>- L'herbe peut être trop mouillée; recommencer lorsque la pelouse est sèche.</li> <li>- Il y a trop d'herbe; DÉBRANCHER la tondeuse et en augmenter la hauteur de coupe.</li> </ul>

SEARS DE 19 PO TONDEUSE-DECHIQUETEUSE - NO DE MODELE C935-355190

PICTURE OF UNIT WITH  
CALLOUTS

PARTS LIST

# SEARS

## *Guide d'utilisation*

**Modèle  
C935-355190**

# SEARS

*LE SERVICE  
À  
VOTRE  
SERVICE*

Le numéro de modèle se trouve sur la plaque signalétique à l'arrière du châssis de la tondeuse.

Consignez ce numéro dans un endroit sûr à titre de référence.

### COMMENT COMMANDER DES PIÈCES DE RECHANGE

Chaque TONDEUSE a son propre NUMÉRO DE MODÈLE.

Le NUMÉRO DE MODÈLE de votre tondeuse se trouve sur la plaque signalétique à l'ARRIÈRE DU CHÂSSIS de la tondeuse.

Indiquez toujours le NUMÉRO DE MODÈLE lorsque vous vous adressez au service d'entretien ou lorsque vous commandez des pièces de rechange pour votre TONDEUSE.

Toutes les pièces décrites sur la liste des pièces de rechange peuvent être commandées à tout MAGASIN DE DÉTAIL OU COMPTOIR POSTAL SEARS CANADA INC. Lorsque les pièces voulues ne sont pas disponibles sur place, votre commande est transmise au centre de distribution des pièces de rechange SEARS, pour un traitement rapide.

Lorsque vous commandez des pièces par la poste, les prix de vente sont fournis sur demande ou les pièces sont expédiées aux prix en vigueur et vous serez facturé en conséquence.

LORSQUE VOUS COMMANDEZ DES PIÈCES DE RECHANGE, VEUILLEZ TOUJOURS INDIQUER :

1. LE NUMÉRO DE LA PIÈCE;
2. LA DESCRIPTION DE LA PIÈCE;
3. LE NUMÉRO DE MODÈLE;
4. LE NOM DE L'OUTIL.

Les produits Sears gagnent en valeur lorsque vous découvrez qu'il y a des centres de service Sears dans l'ensemble du pays. On y retrouve des techniciens qualifiés, formés par Sears utilisant les techniques approuvées par Sears.

SEARS CANADA INC., TORONTO, ONTARIO M5B 2B8

Faites-le réparer, à domicile ou à l'atelier!

Téléphonez au :

**1-800-LE-FOYER<sup>(MD)</sup>**

(1-800-533-6937)

24 heures par jour, 7 jours par semaine

Pour la réparation des appareils électroménagers de grandes marques à  **votre domicile** ... peu importe le fabricant ou le détaillant!

Pour connaître l'emplacement du **Service des pièces et de l'entretien Sears** le plus proche afin d'y apporter des produits tels que des aspirateurs, tondeuses à gazon ou appareils électroniques.

Pour contacter le **Service des pièces et de l'entretien Sears** afin de commander les pièces de rechange, accessoires et manuels d'instructions requis pour effectuer vous-même les réparations.

sears.ca

---

Pour acheter ou demander des renseignements sur un contrat d'entretien Sears, téléphonez au :

**1-800-361-6665**

de 9 h à 20 h du lundi au vendredi (HNE), de 9 h à 16 h le samedi

---

For service in english :

**1-800-4-MY-HOME<sup>®</sup>**

(1-800-469-4663)

sears.ca



(MD) Marque déposée / <sup>MC</sup> Marque de commerce de Sears, Roebuck and Co. utilisée en vertu d'une licence de Sears Canada





## Free Manuals Download Website

<http://myh66.com>

<http://usermanuals.us>

<http://www.somanuals.com>

<http://www.4manuals.cc>

<http://www.manual-lib.com>

<http://www.404manual.com>

<http://www.luxmanual.com>

<http://aubethermostatmanual.com>

Golf course search by state

<http://golfingnear.com>

Email search by domain

<http://emailbydomain.com>

Auto manuals search

<http://auto.somanuals.com>

TV manuals search

<http://tv.somanuals.com>