

DENSO

Member of the TOYOTA Group

Superior ID-Technology



2D Code Scanner



GT-10 Series

Excellent Performance in
Stable Casing

GT-10 Series: Excellent Performance on the Inside – Protection Against Impact, Water and Dust on the Outside.

The GT-10 scanner range takes maximum advantage of its performance features: versatility, long life and user friendliness.

High Performance

CCD (Charged Coupled Device) Technology

- No moving parts
- Particularly robust

Excellent Scanning Performance

- Long distance scanning in excess of 1 m thanks to CCD technology
- Above-average reading speed of 2D codes (GT-10Q) and bar codes*
- Easy recognition of even damaged 2D code labels (GT-10Q)
- Scanning of broad bar codes

Aiming beam mode (GT-10Q)

- 2D codes (laser beam)
- Bar codes (laser beam)
- Only reads the code envisaged by the beam
- Simultaneous reading of different codes is possible – up to four 2D codes can be read at once

Highly Durable

Impact Resistance

- Increased protection due to new stronger casing and the use of rubber to improve impact protection (from max. 2 m high)



Dust and splash proof to meet the IP54 Standard

- Water and dustproof even under rough working conditions

Versatile

Wide range of functions

- Bar code comparison: Determines if a scanned bar code matches a master bar code stored in the GT-10
- Programmable data formatting (GT-10Q): Easy configuration of the output data for all existing host systems
- Check for wrong parts:
 - (1) A bar code is read from the shipping instructions and registered as the master code.
 - (2) A bar code from a product to be shipped is scanned and then compared with the master code so that it can be approved for shipping.
- Auto-sensing function: The auto-sensing function automatically begins scanning when it detects a label

- Remote ON/OFF function: Scanning can be switched on and off using commands from a host computer

One-touch user function

- Two scanning possibilities:
 - (1) using Magic Key (on top of scanner)
 - (2) using trigger (inside of grip)
- Code differentiation (GT-10Q): Once two different symbol records have been registered it is possible to switch from one to the other using the Magic Key – this prevents reading incorrect codes in multiple-read mode



Available in black and grey

*Comparison test when reading up to 150 characters of QR code



ON/OFF function:

The scanner is in standby mode when the Magic Key is off.

Transfer of selected characters

- The data to be transmitted (e.g. operation start codes) can be set beforehand when the Magic Key is on

Retransmit scanned data

- Scanned data can be retransmitted when the Magic Key is on without the bar code having to be scanned again

User-friendly

Very practice-orientated

- Marking function (GT-10Q): laser lighting of the scan area and its centre point
- Vibrator function: Completion of the scanning operation confirmed with vibration
- Adjustable buzzer volume: 3 levels of buzzer volume to suit the surrounding environment
- Very bright, three-colour LED: Easy to read scanning information

Simple set-up with intuitive software

- Installation software included in scope of delivery
- Easy parameter setting from a PC with the set-up software
- Quick start programme: Printing and configuring barcodes with the aid of the special installation software – the GT-10 is ready immediately

Technical Data

		GT-10B		GT-10Q	
		GT-10B-SM (Standard Range Type)	GT-10B-LM (Long Range Type)	GT-10Q-SR (RS-232C)	GT-10Q-SU (USB)
Scanner	Readable Codes	Bar Codes	EAN-13/8, UPC-A/E, UPC/EAN (with add-on), Interleaved 2 of 5, STF, CODABAR (NW7), CODE39, CODE93, CODE128 (EAN-128), MSI, Plessey		
		2 Dimensional Codes	QR Codes, Micro QR Codes, DataMatrix (ECC200), PDF417, Maxi Code, RSS variants, Micro		
	Resolution	Bar Codes	0.125 mm	0.19 mm	0.15 mm
		2 Dimensional Codes	0.25 mm		
	Image capture funktion		Ja		
	Focusing point		100 mm		
	Marker		Scanning area marker		
	Scanning area (at Narrow bar 0,5 mm) ⁽¹⁾		0 ~ 350 mm max	0 ~ 700 mm max	
	PCS value		0.45 min		
	Scanning angle (angle of elevation)		40° ≥ a ≥ 0°		
Skew angle		360 degrees			
Elevation and inclination		± 35 degrees			
Reading confirmation		Blue-green-red LED, buzzer (with volume control), vibrator			
I/F	Format/Connector Type/Cable Length	Multi Interface: programmable as RS-232C or keyboard interface		RS-232C/Dsub-9S	USB 1.1 Compliant/USB Typ A
Input Power	Operating Voltage Range	4.75 ~ 5.25 V			
	Power Consumption	While Scanning: 200 mA max			
Power supply				AC adapter	Supply from connected device ⁽²⁾
Environmental Requirements	Water proof	IP 54 (Equivalent to JIS Splash resistance)			
	Shock-resistant	2 m (1 x 6 directions onto concrete floor) ⁽³⁾			
	Operating Temperature Range	0 °C ~ 50 °C			
	Operating Humidity	10 ~ 90 % RF (No condensation or frost)		10 ~ 99 % RF (No condensation or frost)	
Weight (unit only)	Operating ambient illumination	500 lux ~ 10 000 lux (daylight florescent lighting)		20 lux ~ 10 000 lux (daylight florescent lighting)	
		Approx. 190 g (without cable)		Approx. 210 g (without cable)	

(1): Ambient illumination 500 lux, ITF/16 columns on label, when PCS = 0.9.

(2): An attempt to make a connection may fail if the PC or USB hub used is not compatible. Check transfer compatibility.

(3): Test value, not guaranteed.

Note

Carefully read the user manual before using the device. Specifications are subject to change without notice. Information current as of June 2004.

Accessories

- Connecting cable
- AC/DC Adapter (only with RS-232C version)
- Operator's Manual
(Operator's Manual can be downloaded at www.denso-id.de free of charge)

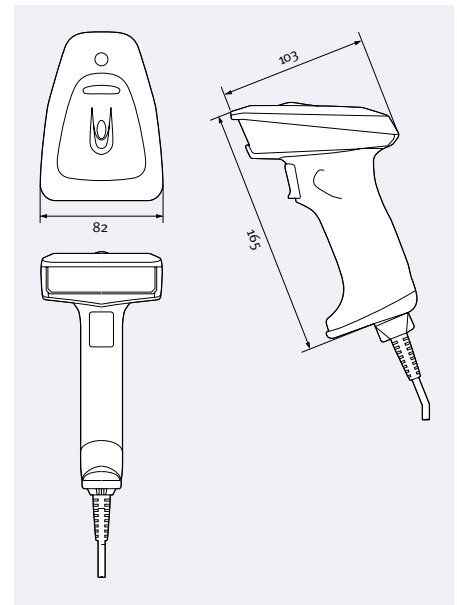
Software

- Set-up software:
(Set-up software can be downloaded at www.denso-id.de free of charge)

Optional Accessories (not supplied)

- Stand: can be used as desktop or wall stand
- Hands-free stand: variably adjustable – for hands-free scanning with the GT-10
- Hanging straps:
The hanging straps keep the GT-10 a safe distance from forklift trucks, conveyor belts etc.
- Stand for ceiling mounting (available soon):
Enables the GT-10 to be ceiling mounted

Dimensions (in mm)



Company Stamp

Free Manuals Download Website

<http://myh66.com>

<http://usermanuals.us>

<http://www.somanuals.com>

<http://www.4manuals.cc>

<http://www.manual-lib.com>

<http://www.404manual.com>

<http://www.luxmanual.com>

<http://aubethermostatmanual.com>

Golf course search by state

<http://golfingnear.com>

Email search by domain

<http://emailbydomain.com>

Auto manuals search

<http://auto.somanuals.com>

TV manuals search

<http://tv.somanuals.com>