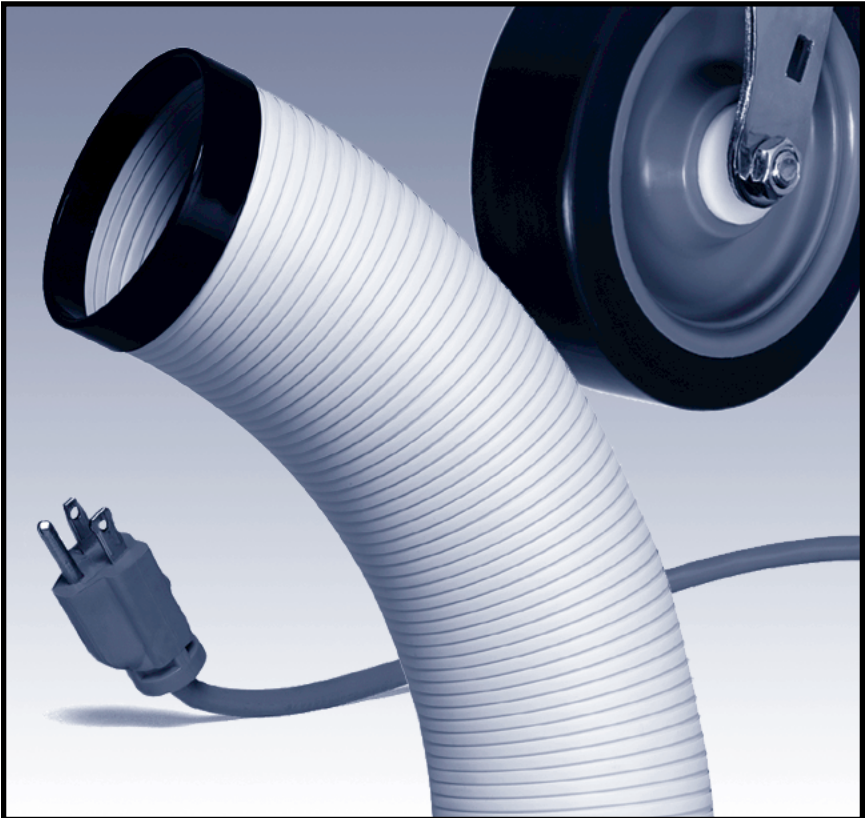


# OPERATION **MANUAL**

**OFFICE PRO 12 and OFFICE PRO 24**



READ THIS MANUAL CAREFULLY FOR INSTRUCTIONS ON CORRECT  
INSTALLATION AND USAGE, AND READ ALL SAFEGUARDS.

**SECCIÓN EN ESPAÑOL**  
**SECTION EN FRANÇAIS**



**MOVINCOOL®**  
THE PORTABLE SPOT COOLING SOLUTION

© 2003 DENSO SALES CALIFORNIA, INC.

All rights reserved. This book may not be reproduced or copied, in whole or in part, without the written permission of the publisher. DENSO SALES CALIFORNIA, INC. reserves the right to make changes without prior notice. MovinCool is a registered trademark of DENSO Corporation.

# OPERATION **MANUAL**

**OFFICE PRO 12 and OFFICE PRO 24**

**MOVINCOOL®**  
THE PORTABLE SPOT COOLING SOLUTION



# Table of Contents

<b>FOREWORD</b> .....	1
<b>Definition of Terms</b> .....	1
<b>GENERAL WARNINGS &amp; CAUTIONS</b> .....	2
<b>INVENTORY</b> .....	3
<b>INSTALLATION</b> .....	4
<b>Choosing an Installation Site</b> .....	4
<b>Moving the Unit</b> .....	5
<b>Plugging in the Unit</b> .....	6
<b>FEATURES</b> .....	7
<b>OPERATION</b> .....	8
<b>Control Panel</b> .....	8
<b>Operating in COOL Mode</b> .....	10
<b>Operating in Fan Only Mode</b> .....	10
<b>Changing from Fan Only Mode to COOL Mode</b> .....	10
<b>How to Set a Program</b> .....	11
<b>Operating Modes</b> .....	13
<b>Emptying the Drain Tank</b> .....	14
<b>Drain Pump Kit (Optional)</b> .....	15
<b>DAILY INSPECTION &amp; MAINTENANCE</b> .....	17
<b>Emptying the Drain Tank</b> .....	17
<b>Cleaning the Air Filters</b> .....	17
<b>Filter Removal Method (both models)</b> .....	17
<b>Filter Cleaning Method</b> .....	18
<b>In-Season/Off-Season Inspection &amp; Maintenance</b> .....	18
<b>TROUBLESHOOTING</b> .....	19
<b>Self-Diagnostic Codes</b> .....	19
<b>TECHNICAL SPECIFICATIONS</b> .....	20
<b>SECCIÓN EN ESPAÑOL</b> .....	21
<b>SECTION EN FRANÇAIS</b> .....	45



# FOREWORD

Congratulations on purchasing the MovinCool portable air conditioner.

This manual explains how to install and operate the MovinCool Office Pro 12 and Office Pro 24 portable air conditioning units. Please read this operation manual thoroughly to familiarize yourself with the features of the unit and to ensure years of reliable operation. You may also find it useful to keep this operation manual on hand for reference.

Components and/or procedures are subject to change without prior notice.

## Definition of Terms

**⚠WARNING:** Describes precautions that should be observed in order to prevent injury to the user during installation or unit operation.

**⚠CAUTION:** Describes precautions that should be observed in order to prevent damage to the unit or its components, which may occur during installation or unit operation if sufficient care is not taken.

**NOTE:** Provides additional information that facilitates installation or unit operation.

## **GENERAL WARNINGS & CAUTIONS**

- All electrical work, if necessary, should only be performed by qualified electrical personnel. Repair to electrical components by non-certified technicians may result in personal injury and/or damage to the unit. All electrical components replaced must be genuine MovinCool parts, purchased from an authorized reseller.
- The proper electrical outlet for MovinCool units must be equipped with a UL approved ground-fault breaker to prevent electrical shock from the unit.
- Because of potential safety hazards under a certain condition, we strongly recommend against the use of an extension cord. However, if you still elect to use an extension cord, it is absolutely necessary that it will be a UL listed, 3-wire grounding type appliance extension cord, having a 3-blade grounding plug and a 3-slot receptacle that will plug into the appliance. The marked rating of the extension cord should be 115 V, 15 A or equivalent.
- The Office Pro 12 is equipped with a ten (10) foot (3 meter) power cord. The Office Pro 24 is equipped with a six (6) foot (1.8 meter) power cord. If replacement, fixed location (hard wired) or power cord lengthening (extension cord) cords are required, contact your reseller or a qualified electrician for approved replacement methods.
- Never fold or place heavy objects on the power cord. This could result in damage to the power cord causing electrical shock or fire.
- Do not place water or any other liquid on the unit. This can cause damage to the unit and increase the risk of electrical shock.
- Do not sit or stand on the unit.

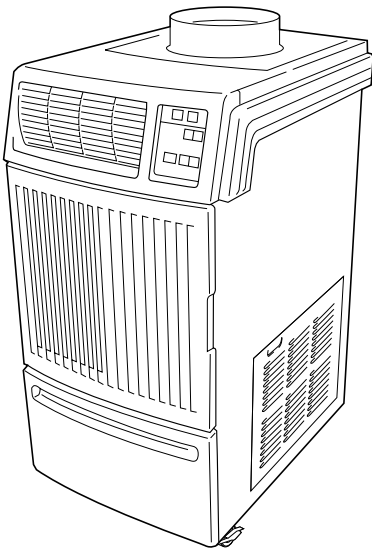


# INVENTORY

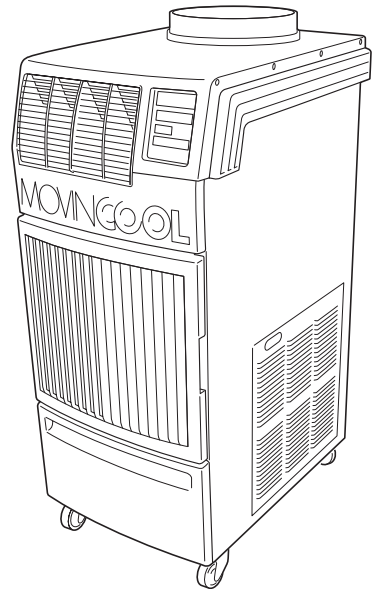
After unpacking your MovinCool unit, please check to make sure you have the following items:

- Office Pro 12 or Office Pro 24 MovinCool Unit (1)
- Operation Manual/Warranty Card (1)

**NOTE: If any of these items were not included in the box or appear damaged, please contact your MovinCool reseller for replacement.**



**OFFICE PRO 12 MOVINCOOL UNIT**



**OFFICE PRO 24 MOVINCOOL UNIT**



**OPERATION MANUAL /  
WARRANTY CARD**

# INSTALLATION

## Choosing an Installation Site

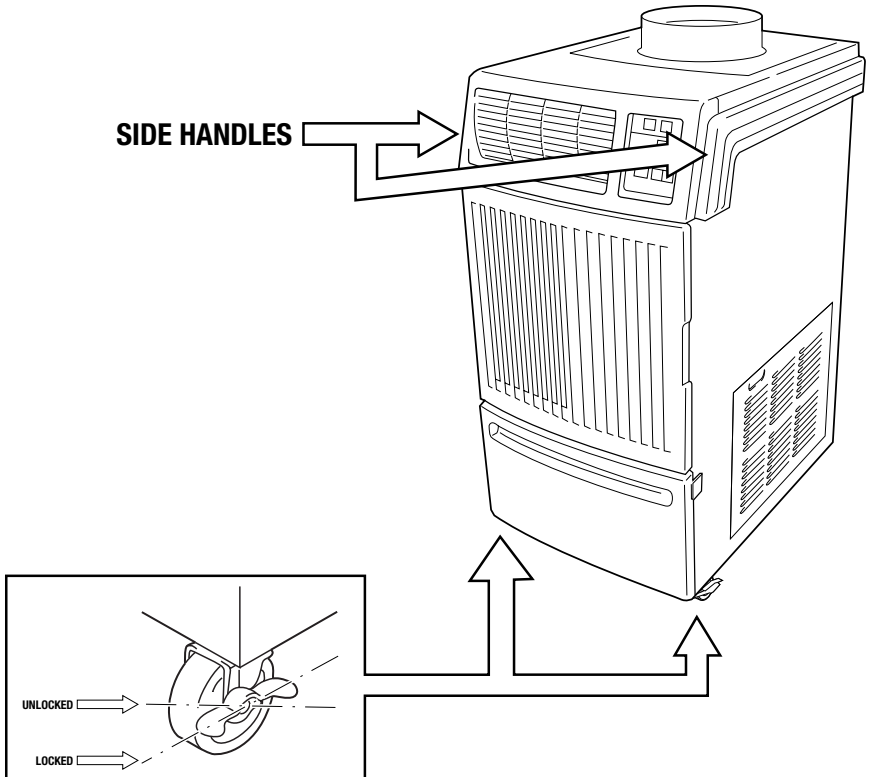
**⚠CAUTION: Following are some precautions to consider before choosing your installation site. Please review carefully as improper installation may result in personal injury or damage to the unit.**

- Do not use the unit in areas where leakage of flammable gas may occur.
- Do not use the unit in areas where it will be exposed to rain or water.
- Do not use the unit in an atmosphere of excessively corrosive gas or vapor.
- Do not use in areas where the temperature is outside the allowable operating range.
- Do not install the unit in sloping areas. The unit may move or topple over even if the casters are set to the LOCKED position.
- Install the unit in areas that can withstand the weight of the unit. The Office Pro 12 unit weighs approximately 200 lbs (91 kg) and the Office Pro 24 weighs approximately 245 lbs. (111 kg) (when the drain tank is full of water).
- Allow 18 inches of unobstructed airflow for both the air inlets and outlets.
- Do not use the unit above 95°F 50% RH.

# INSTALLATION (cont.)

## Moving the Unit

Unlock the casters and push the MovinCool unit using the side handles to a flat, level surface and set the casters back to the LOCKED position.



# INSTALLATION (cont.)

## Plugging in the Unit

- Check the prongs and surface of the power cord plug for dust/dirt. If dust and/or dirt are present, wipe off with a clean, dry cloth.
- Check the power cord, plug and prongs for damage or excess play. If any damage or excess play is found, contact your MovinCool reseller for repair.
- For the Office Pro 24 model, fully insert plug into the A/C outlet and rotate clockwise until it locks in place.

### **⚠WARNING:**

- **If the power cord or plug is damaged, repair should only be performed by qualified electrical personnel.**
- **Do not connect/disconnect the power cord or attempt to operate buttons with wet hands. This could result in electrical shock.**

### **⚠CAUTION:**

- **Office Pro 12 model ONLY: The AC outlet (115 VAC Single Phase, 60Hz) needs to be rated at 15A or higher. Do not share the outlet with any other instrument or equipment.**
- **Office Pro 24 model ONLY: The AC outlet (208/230 VAC Single Phase, 60Hz) needs to be rated at 20A or higher. Do not share the outlet with any other instrument or equipment.**

### **NOTE:**

- ***Make sure the AC outlet is free of dirt, dust, oil, water, or any other foreign matter.***
- ***The Office Pro 12 model is equipped with an approved NEMA plug configuration (L5-15). The appropriate outlet must be used for this plug type.***
- ***The Office Pro 24 model is equipped with an approved NEMA plug configuration (L6-20). The appropriate outlet must be used for this plug type.***

# FEATURES

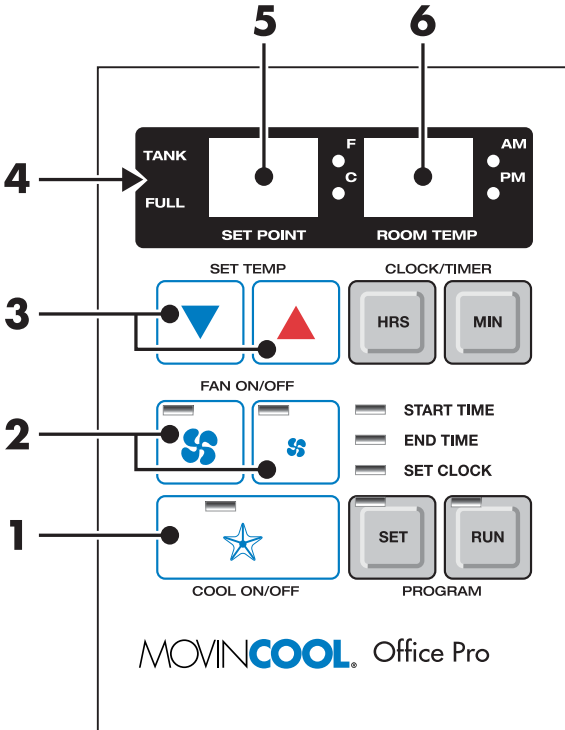
## Both Models feature:

- An electronic control panel, which allows the user to control the unit's operation easily.
- Dual fan speeds (either HIGH or LOW) in both COOL and Fan Only modes.
- Digital display that indicates the temperature SET POINT (either Fahrenheit or Celsius) in which the COOL Mode will operate in. This is also the temperature the units will try to maintain. The Temperature SET POINT can be adjusted between 65°F and 95°F by the SET TEMP buttons (▼/▲).
- A condensate drain TANK FULL indicator display (LED).
- An automatic restart feature when the power is lost and regained. The unit will return to the operating mode it was in prior to the loss of power. Any preset program will be retained in the memory in the event power loss occurs.
- A programmable Clock/Timer function. This allows the user to program a specific time of day that the unit will begin to operate/start and turn off/end (Automatic Operation).
- A two-digit room temperature display.

# OPERATION

## Control Panel

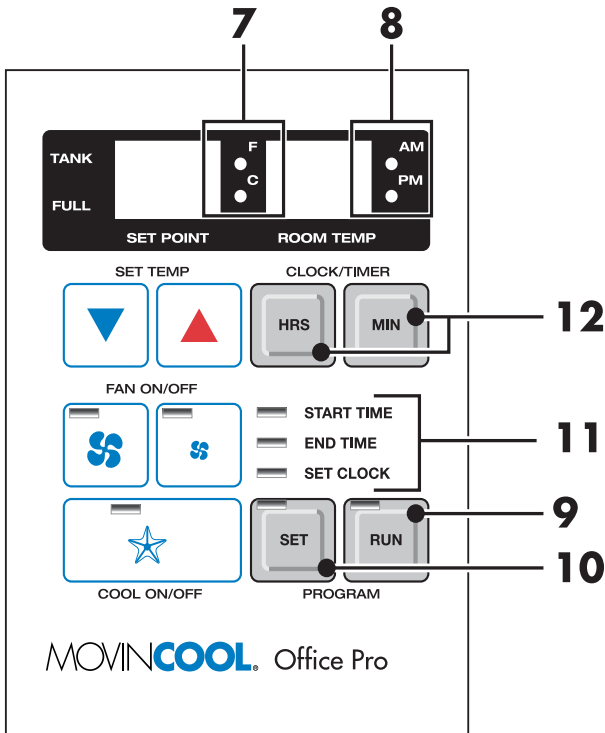
Before operating the unit, it is important to familiarize yourself with the basic controls located on the control panel.



- |   |                        |  |
|---|------------------------|--|
| ① | COOL ON/OFF Button     | Activates/deactivates the COOL mode/ turns the unit off.   |
| ② | FAN ON/OFF Buttons     | Activates/deactivates the HIGH or LOW fan mode.  |
| ③ | SET TEMP Buttons (▼/▲) | Increases/decreases the temperature set point.   |
| ④ | <b>TANK FULL LED</b>   | Flashes when the drain tank is full.   |
| ⑤ | SET POINT Display      | Indicates the current temperature set point; also used to display clock hour when programming.   |
| ⑥ | ROOM TEMP Display      | Indicates the current room temperature; also used to display the clock minutes when programming. |

# OPERATION (cont.)

## Control Panel (Cont.)



- ⑦ **Temperature Scale LED** Illuminates to indicate the current temperatures being displayed are either in °C or °F; also displays the clock when programming.
- ⑧ **AM/PM LED** Illuminates to indicate AM or PM time of day.
- ⑨ **Program RUN Button** Activates/deactivates a program.
- ⑩ **Program SET Button** Allows the user to program the unit or check the current program.
- ⑪ **START TIME LED  
END TIME LED  
SET CLOCK LED** Illuminates to indicate the current step that is being programmed into the unit.
- ⑫ **CLOCK/TIMER Buttons** Allows the user to set the clock and program the start and end time of operation.

## OPERATION (cont.)

### Operating in COOL Mode

- ① The unit can be operated in COOL mode by pressing the COOL ON/OFF button (LED illuminates).

**NOTE: In COOL mode the unit can only be turned off by pressing the COOL ON/OFF button again, not by pressing the fan buttons.**

- ② Change the fan speed by pressing the HIGH or LOW fan buttons.
- ③ Change the temperature set point by pressing the SET TEMP buttons (▼/▲).

**NOTE: When turning the unit on, the set point and fan speed are determined by the last operating mode (program mode not included).**

### Operating in Fan Only Mode

- ① The unit can also be operated in Fan Only mode by pressing either the HIGH or LOW fan buttons (LED illuminates).
- ② The unit can then be turned off by pressing the fan speed button that is illuminated.

### Changing from Fan Only Mode to COOL Mode

The COOL mode can be activated while the unit is operating in Fan Only mode. To do this, simply press the COOL ON/OFF button (LED illuminates).

**NOTE: The Fan Only mode will not operate after the COOL mode has been activated. After the COOL mode has been activated, the unit cannot be turned off by pressing the fan buttons. The COOL ON/OFF button must be pressed.**



# OPERATION (cont.)

## How to Set a Program

### ① **Setting a START TIME**

Press the Program SET button. The Program SET button and **START TIME** LEDs will illuminate. Press the HRS and MIN buttons to set the START TIME.

### ② **Setting an END TIME**

Press the Program SET button until the **END TIME** LED illuminates. Press the HRS and MIN buttons to set the END TIME.

### ③ **Setting the CLOCK TIME**

Press the Program SET button until the **SET CLOCK** LED illuminates. Press the HRS and MIN buttons to set the current clock time into the unit.

**NOTE: The AM/PM LED will change with the HRS button.**

### ④ **Programming the Temperature SET POINT**

Press the Program SET button until the current SET POINT temperature display begins to flash on and off. Select a new desired SET POINT temperature (65°F – 95°F) by pressing the SET TEMP buttons (▼/▲).

### ⑤ **Programming the Fan Speed**

Press the Program SET button until one of the Fan Speed button LEDs (HIGH/LOW) begin to flash. This is the current programmed Fan Speed. To change the programmed Fan Speed, simply press the other Fan Speed button.

### ⑥ **Exiting the Program SET Function**

After changing any of the above settings, continue pressing the Program SET button until the Program SET button LED turns off. The unit will then return to the previous mode.

### ⑦ **Activating/Deactivating a Preset Program**

Press the Program RUN button to activate/deactivate a preset program. The Program **RUN** LED will illuminate when activated.

## **OPERATION (cont.)**

### **How to Set a Program (Cont.)**

#### **NOTE:**

- *The unit will return to the previous mode if a program is turned off while it is running.*
- *The Program RUN LED flashes while a program is running. It is illuminated continuously when the program mode is activated.*
- *While a program is running, the program can only be stopped by pressing the Program RUN button. All other buttons are inoperable when a program is running.*
- *The unit returns to the previous mode at the end of a program.*
- *The unit does not have to be running to set a program.*
- *During programming, the unit returns to the previous mode if no activity occurs within approximately 35 seconds.*

# OPERATION (cont.)

## Operating Modes

Both Office Pro models operate in two modes, Fan Only and COOL. When in Fan Only mode, the unit circulates the surrounding air. When in COOL mode, the compressor is operational and cool air is circulated.

- **COOL Mode**

Both models will operate in Fan Only mode for approximately 90 seconds before the compressor engages. (Time delay setting is 90 ± 15 seconds.)

- **Temperature Control**

The room temperature thermistor allows the unit to switch automatically between COOL and Fan Only modes. This is dependent upon inlet air temperature versus SET POINT temperature.

- **Fan Mode Control DIP Switch**

The Fan Mode Control DIP Switch determines whether the FAN will continue to operate or stop when the compressor cycles off. (SET POINT temperature equals inlet air or room temperature.) The unit has been preset at the factory for continuous fan operation.

- **Temperature Scale Display DIP Switch**

The Temperature Scale Display DIP Switch changes the temperature(s) that are displayed to either °C or °F. The unit has been preset from the factory to display the temperature(s) in °F.

**NOTE: If you wish to change the fan mode operation (COOL ⇔ OPERATE to COOL ⇔ STOP), and/or the Temperature Scale Display (°F to °C), contact your MovinCool reseller.**

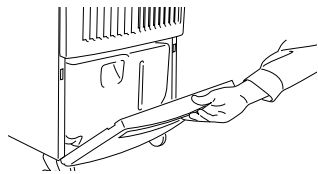
## OPERATION (cont.)

### Emptying the Drain Tank

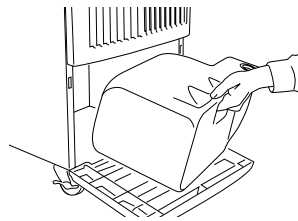
During COOL mode, condensate will accumulate in the drain tank. When the drain tank becomes full, the **FULL TANK** LED will flash and the unit will shut off automatically.

**NOTE:** If you want to empty the drain tank, while the unit is in operation, press the **COOL ON/OFF** button to turn the unit off. If a program is running, you must first press the **Program RUN** button.

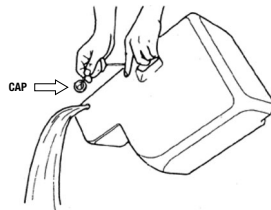
① Open the drain tank lid.



② Pull the drain tank from the unit.



③ Remove the cap and empty the drain tank.



④ Replace the cap and return the drain tank to the unit.

⑤ Close the drain tank lid.

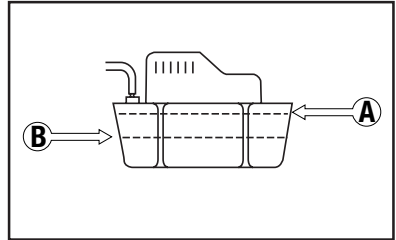
⑥ If the Program **RUN** LED is flashing, press the **COOL ON/OFF** button to continue running the program. If the Program **RUN** LED is illuminated continuously, no further steps are necessary. If no program exists or the program was deactivated, press the **COOL ON/OFF** button to restart the unit.

## OPERATION (cont.)

### Drain Pump Kit (Optional) (Office Pro 12 model ONLY)

A drain pump kit (CPK-3) is available to allow continuous operation and to eliminate the need for a drain tank.

- When the water collects to level (A) in the pump reservoir, the drain pump begins to operate and discharges the water.

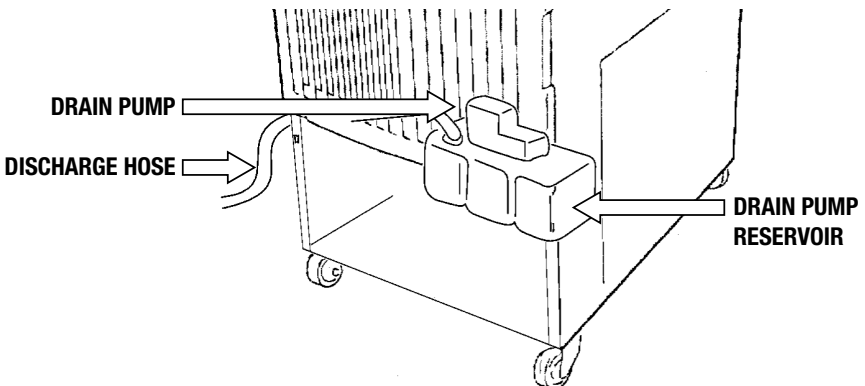


**NOTE:** The compressor will not operate while the drain pump is discharging water.

- When the water level drops below level (B), the drain pump stops, and the compressor will restart.

**NOTE:** If for any reason the water level exceeds that of level (A) in the pump reservoir, an overflow Drain Switch will stop the compressor operation.

**NOTE:** If the Fan Mode Control DIP Switch (see pg. 13) is set to the STOP position, the entire unit (including fan operation) will turn off whether due to the overflow Drain Switch or while the drain pump is discharging water.



## OPERATION (cont.)

### DRAIN PUMP KIT (Optional) (Office Pro 24 model ONLY)

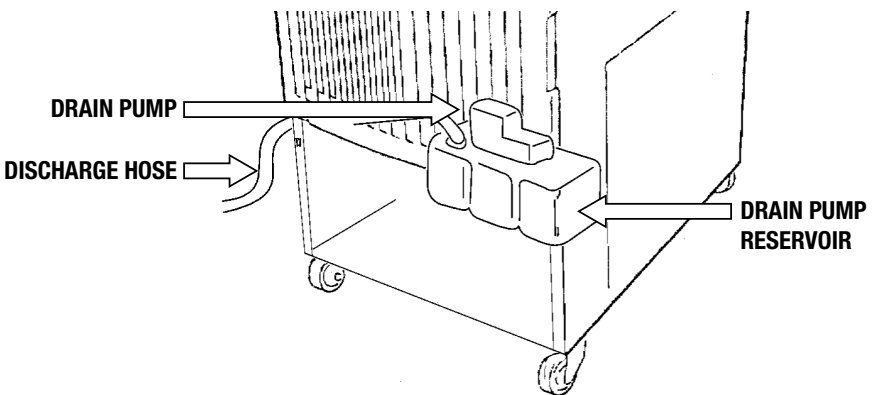
A drain pump kit (CPK-5) is available to allow continuous operation and to eliminate the need for a drain tank.

- When the water collects to level (A) in the pump reservoir, the drain pump begins to operate and discharges the water.
- When the water level drops below level (B), the drain pump will stop.



**NOTE:** If for any reason the water level exceeds that of level (A) in the pump reservoir, an overflow Drain Switch will stop the compressor operation.

**NOTE:** If the Fan Mode Control DIP Switch (see pg. 13) is set to the STOP position, the entire unit (including fan operation) will turn off due to the overflow Drain Switch.



# DAILY INSPECTION & MAINTENANCE

## Emptying the Drain Tank

To empty the drain tank, refer to instructions on page 14.

## Cleaning the Air Filters

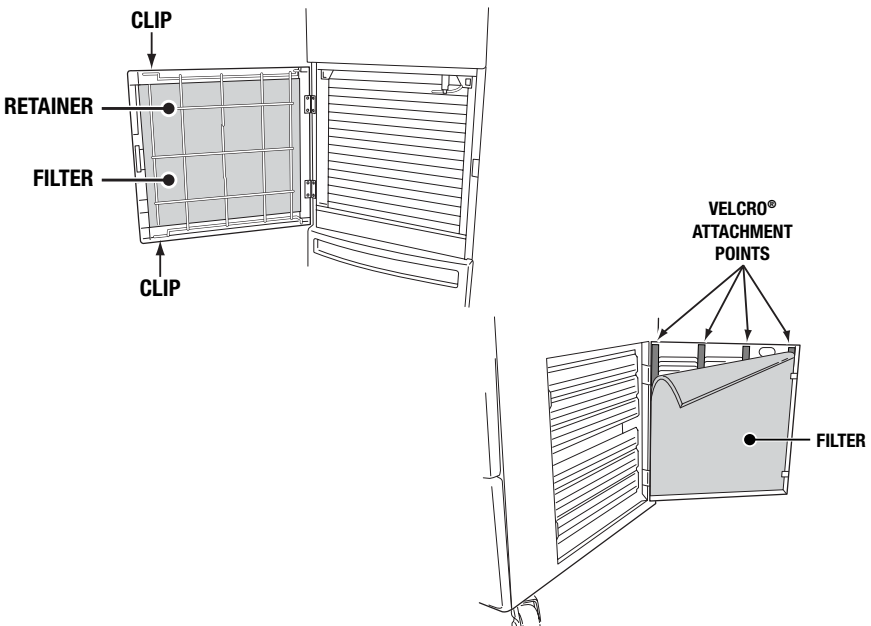
Clean the air filters once a week. If the unit is used in a dusty environment, more frequent cleaning may be required.

A dirty air filter reduces air output resulting in a decrease of the cooling capacity.

### Filter Removal Method (both models)

- ① Turn the unit off by pressing the COOL ON/OFF button. If a program is running, you must first press the Program "RUN" button.
- ② Remove the two air filters.

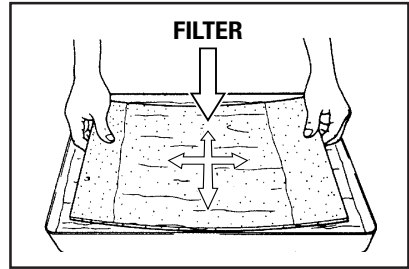
**NOTE:** To remove the filters from the Office Pro models, open the front panel and side panel filter doors. On the front panel door, carefully remove the filter retainer from its clips by pulling on the retainer at those two points. On the side panel door, carefully remove the filter element from the Velcro® attachment points.



# DAILY INSPECTION & MAINTENANCE (cont.)

## Filter Cleaning Method

- ① Remove dust from the element with a vacuum cleaner, or rinse in cold or lukewarm water. If the element is extremely dirty, wash with a neutral detergent.
- ② After the element has been cleaned, rinse with clean running water, allow to dry, then reinstall.



## In-Season/Off-Season Inspection & Maintenance

### ■ In-Season

- ① Check the prongs and surface of the power cord plug for dust and/or dirt. If dust and/or dirt are present, wipe off with a clean, dry cloth.
- ② Check the power cord, plug and prongs for damage or excess play. If any damage or excess play is found, contact your MovinCool reseller for repair.
- ③ Check the air filters and drain tank.
- ④ Clean the outside of the unit(s) with a damp cloth or mild nonabrasive cleaner.

### ■ Off-Season

- ① Operate the unit in Fan Only mode for 8 hours.

**Note: Operation is necessary to dry out the inside of the unit.**

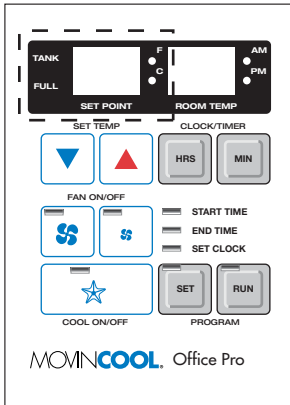
- ② Disconnect the power cord from the AC outlet.
- ③ Check the prongs and surface of the power cord plug for dust and/or dirt. If dust and/or dirt are present, wipe off with a clean, dry cloth.
- ④ Check the power cord, plug and prongs for damage or excess play. If any damage or excess play is found, contact your MovinCool reseller for repair.
- ⑤ Clean the air filters.
- ⑥ Empty all water from the drain tank.



# TROUBLESHOOTING

## Self-Diagnostic Codes

Self-Diagnostic Codes will be displayed on the Control Board under the following conditions:



### Code   Condition

- dF      When the evaporator thermistor disengages the compressor.
- FL      When the drain tank switch shuts off the unit (**FULL TANK** LED flashes).
- AS      When unit disengages the compressor while the condensate pump is discharging water.
- HP      When the high pressure switch disengages the compressor.
- LO      Lowest temperature set point.
- HI      Highest temperature set point.

Check the following points before calling a qualified technician.

SYMPTOM	POSSIBLE CAUSE	REMEDY
<i>Unit does not operate</i>	<ol style="list-style-type: none"> <li>① Ground fault breaker tripped</li> <li>② Drain tank is full (<b>FULL TANK</b> LED will be flashing)</li> </ol>	Reset breaker Empty the drain tank
<i>Insufficient cooling</i>	<ol style="list-style-type: none"> <li>① Dirty/blocked air filters</li> <li>② Air inlet/outlet blocked</li> <li>③ Improper temperature setting</li> </ol>	Clean air filters Clear air inlet/outlet Set to desired position

If symptoms persist after the above actions have been taken, turn the unit off, disconnect the power cord plug and contact your MovinCool reseller.



# **MANUAL** de OPERACIÓN

**OFFICE PRO 12 y OFFICE PRO 24**

**MOVINCOOL®**  
LA SOLUCIÓN DE ENFRIAMIENTO LOCALIZADO PORTÁTIL



# Tabla de Contenido

<b>PREFACIO .....</b>	<b>25</b>
Definición de términos .....	25
<b>PRECAUCIONES Y ADVERTENCIAS GENERALES .....</b>	<b>26</b>
<b>INVENTARIO .....</b>	<b>27</b>
<b>INSTALACIÓN .....</b>	<b>28</b>
Selección del sitio de instalación .....	28
Desplazamiento de la unidad .....	29
Conexión de la unidad .....	30
<b>CARACTERÍSTICAS .....</b>	<b>31</b>
<b>FUNCIONAMIENTO .....</b>	<b>32</b>
Panel de controles .....	32
Funcionamiento en modo COOL .....	34
Cambio del modo FAN ONLY al modo COOL .....	34
Cambio de abanico solamente al modo COOL .....	34
Cómo configurar un programa .....	35
Modos de funcionamiento .....	37
Vaciado del tanque de drenaje .....	38
Kit de la bomba de drenaje (Opcional) .....	39
<b>INSPECCIÓN DIARIA Y MANTENIMIENTO .....</b>	<b>41</b>
Vaciado del tanque de drenaje .....	41
Limpieza de los filtros de aire .....	41
Método de extracción de filtros (ambos modelos) .....	41
Método de limpieza de los filtros .....	42
Inspección y mantenimiento en y fuera de estación .....	42
<b>RESOLUCIÓN DE FALLAS .....</b>	<b>43</b>
Códigos de diagnóstico propio .....	43
<b>ESPECIFICACIONES TÉCNICAS .....</b>	<b>44</b>
<b>SECTION EN FRANÇAIS .....</b>	<b>45</b>



# PREFACIO

Felicitaciones por la compra del acondicionador de aire portátil MovinCool.

Este manual explica cómo instalar y operar las unidades de aire acondicionado MovinCool Office Pro 12 y Office Pro 24. Lea este manual de instrucciones con atención para familiarizarse con las características de la unidad y para asegurar años de funcionamiento confiable. Es posible que también encuentre útil tener este manual a mano para usarlo de referencia.

Los componentes y/o los procedimientos están sujetos a cambios sin previo aviso.

## Definición de términos

**⚠ADVERTENCIA:** Describe las precauciones que se deben observar a fin de evitar lesiones al usuario durante la instalación o funcionamiento de la unidad.

**⚠PRECAUCIÓN:** Describe las precauciones que se deben tener en cuenta a fin de evitar daños a la unidad o los componentes de la misma, lo cual puede ocurrir durante la instalación o funcionamiento de la unidad si no se tiene el cuidado necesario.

**NOTA:** *Proporciona información adicional que facilita la instalación o la operación de la unidad.*

# PRECAUCIONES Y ADVERTENCIAS GENERALES

- Si es necesario hacer trabajos eléctricos, solamente personal eléctrico calificado debe realizarlo. La reparación de los componentes eléctricos hecha por personal no autorizado puede resultar en lesiones personales y/o daños a la unidad. Todos los componentes eléctricos reemplazados deben ser partes originales de MovinCool, compradas a un revendedor autorizado.
- El tomacorriente apropiado para las unidades MovinCool debe estar equipado con un interruptor de descarga a tierra UL homologado, para evitar el choque eléctrico de la unidad.
- Dados los peligros de seguridad potenciales en determinadas situaciones, le recomendamos que no use un cable de extensión. Sin embargo, si decide usar un cable de extensión, es absolutamente necesario que sea un UL listado, cable de extensión de dispositivo de conexión a tierra de 3 cables, una conexión a tierra de 3 álabes y un receptáculo de 3 ranuras que se conecte al dispositivo. El régimen marcado del cable de extensión debe ser de 115 V, 15 A o equivalente.
- El Office Pro 12 está equipado con un cordón eléctrico de 3 metros. El Office Pro 24 está equipado con un cordón eléctrico de 1,8 metros. Si es necesario reemplazar el cordón eléctrico, extenderlo con un prolongador o desde la pared con cable, comuníquese con su revendedor o un electricista calificado para obtener métodos aprobados de reemplazo.
- Nunca doble o coloque objetos pesados en el cordón eléctrico. Esto puede dañarlo y causar un choque eléctrico o un incendio.
- No coloque agua ni ningún otro líquido en la unidad. Esto puede dañarla y aumentar el riesgo de choque eléctrico.
- No se pare o siente en la unidad.

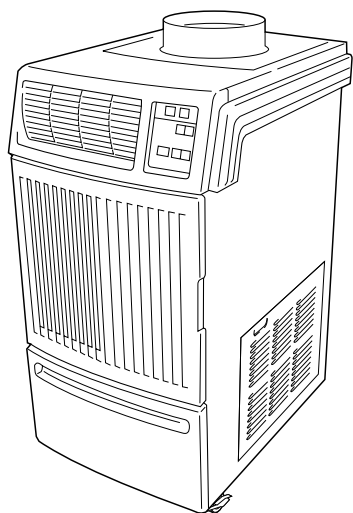


# INVENTARIO

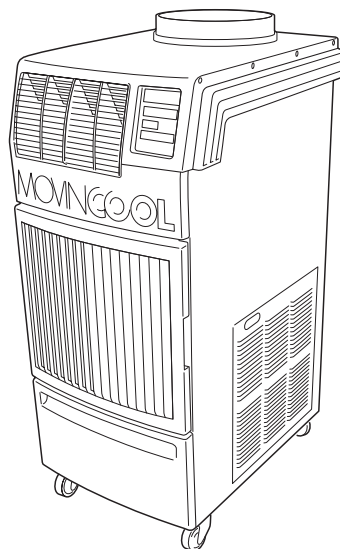
Después de desempacar la unidad MovinCool, verifique que tenga los siguientes artículos:

- Unidad MovinCool Office Pro 12 o Office Pro 24 (1)
- Manual de operación y tarjeta de garantía (1)

**NOTA: Si alguno de estos artículos no está incluido en la caja o parece dañado, comuníquese con el revendedor de MovinCool para que lo reemplace.**



**UNIDAD OFFICE PRO 12 MOVINCOOL**



**UNIDAD OFFICE PRO 24 MOVINCOOL**



**MANUAL DE OPERACIONES /  
TARJETA DE GARANTÍA**

# INSTALACIÓN

## Selección del sitio de instalación

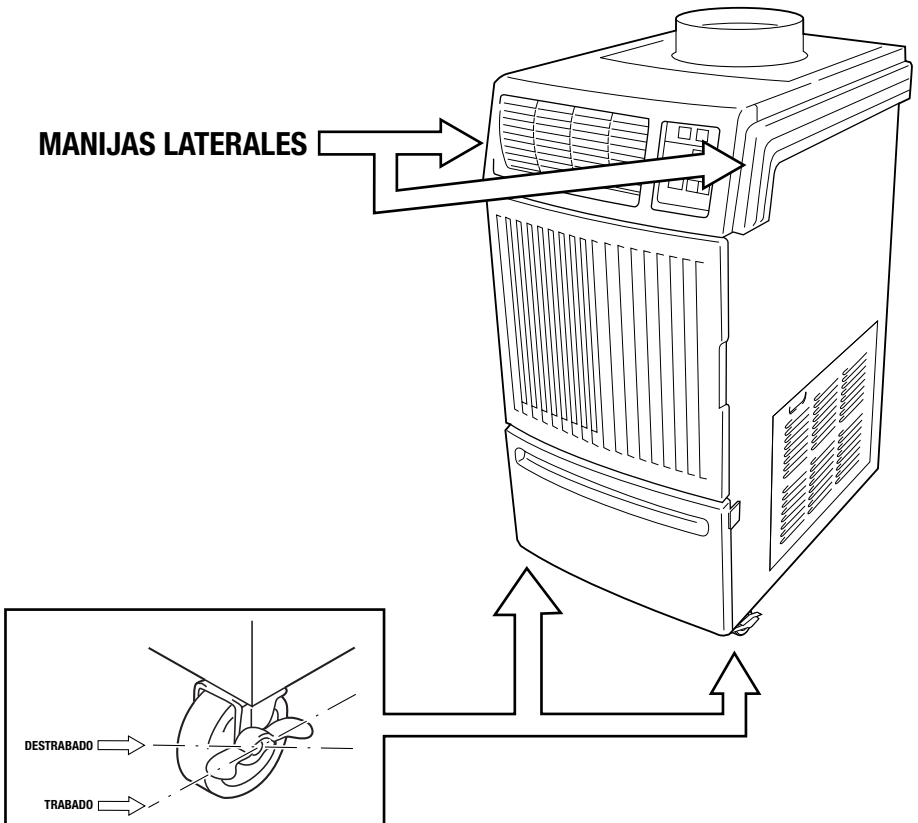
**⚠PRECAUCIÓN: A continuación aparecen algunas precauciones a ser consideradas antes de seleccionar el sitio de instalación. Reviselas con atención porque la instalación inapropiada puede causar lesiones personales o daño a la unidad.**

- No use la unidad en áreas donde pueda haber pérdidas de gas inflamable.
- No use la unidad en áreas donde quedará expuesta a la lluvia o el agua.
- No use la unidad en un ambiente con gas o vapor excesivamente corrosivo.
- No use en áreas donde la temperatura está fuera de la amplitud permisible de temperatura de funcionamiento.
- No instale la unidad en áreas inclinadas. La unidad se puede mover o volcar si las ruedas están trabadas.
- Instale la unidad en áreas que puedan soportar el peso de la unidad. La unidad Office Pro 12 pesa aproximadamente 91 kg y la unidad Office Pro 24 pesa aproximadamente 111 kg (cuando el tanque de drenaje está lleno de agua).
- Deje 46 cm de espacio libre para las entradas y salidas de aire.
- No use la unidad en lugares de más de 35°C 50% HR.

# INSTALACIÓN (cont.)

## Desplazamiento de la unidad

Destrabe las ruedas y empuje la unidad MovinCool usando las manijas laterales, hacia una superficie plana y nivelada y vuelva a trabar las ruedas.



# INSTALACIÓN (cont.)

## Conexión de la unidad

- Verifique las púas y la superficie del cordón eléctrico para ver que no tengan polvo o suciedad. Si están sucios, límpielos con un trapo limpio y seco.
- Revise el cordón eléctrico, el enchufe y las púas para que no tengan daño o juego excesivo. Si encuentra daño o juego excesivo, comuníquese con el vendedor de MovinCool para que lo repare.
- Para el modelo Office Pro 24, inserte el enchufe completamente en el tomacorriente y gírelo en sentido contrario hasta que se trabaje en el lugar.

### **⚠ADVERTENCIA:**

- **Si el cordón eléctrico o enchufe está dañado, solamente un electricista calificado podrá repararlo.**
- **No conecte o desconecte el cordón eléctrico o trate de tocar los botones con las manos mojadas. Esto puede causar un choque eléctrico.**

### **⚠PRECAUCIÓN:**

- **Modelo Office Pro 12 SOLAMENTE: El tomacorriente de corriente alterna (115 VCA Fase Simple, 60Hz) necesita estar homologado para 15A o más. No comparta el tomacorriente con otro equipo o instrumento.**
- **Modelo Office Pro 24 SOLAMENTE: El tomacorriente de corriente alterna (208/230 VCA Fase Simple, 60Hz) necesita estar homologado para 20A o más. No comparta el tomacorriente con otro equipo o instrumento.**

### **NOTA:**

- ***Asegúrese de que el tomacorriente de CA no tenga tierra, suciedad, aceite, agua ni otra materia extraña.***
- ***El modelo Office Pro 12 está equipado con una configuración de enchufe NEMA (L5-15). El tomacorriente apropiado se debe usar para este tipo de enchufe.***
- ***El modelo Office Pro 24 está equipado con una configuración de enchufe NEMA (L6-16). El tomacorriente apropiado se debe usar para este tipo de enchufe.***

# CARACTERÍSTICAS

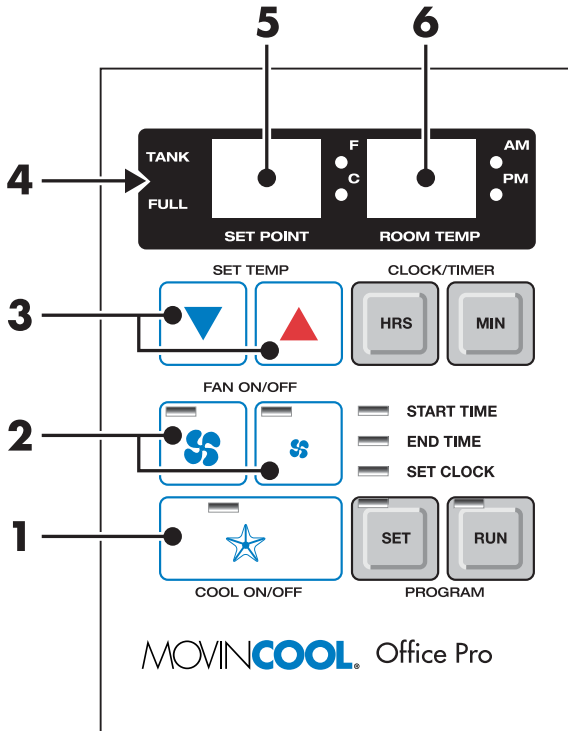
## Ambos modelos tienen:

- Un panel de control electrónico, el cual permite que el usuario controle la unidad fácilmente.
- Velocidades dobles de ventilador (ALTA o BAJA) en los modelos FRÍO (COOL) y VENTILADOR (FAN) solamente.
- Pantalla digital que indica el PUNTO ESTABLECIDO (SET POINT) de temperatura (en Celsius o Fahrenheit) en el cual operará el modo FRÍO (COOL). Ésta es también la temperatura que la unidad tratará de mantener. La temperatura de PUNTO ESTABLECIDO se puede ajustar entre 18°C (65°F) y 35°C (95°F) con los botones de CONFIG. TEMP (SET TEMP) (▼/▲).
- Pantalla con indicador iluminado para indicar drenaje condensado en TANQUE LLENO (TANK FULL).
- Una función de cebado automático cuando se corta la electricidad y cuando ésta se vuelve a establecer. La unidad volverá al modo de operación en el que estaba antes de que se cortara la electricidad. Los programas preconfigurados quedarán en la memoria en caso que ocurra un corte de energía eléctrica.
- Función de Reloj/Cronómetro programable. Esto permite que el usuario programe una hora específica del día para que la unidad comience a funcionar/arranque y se apague/deje de funcionar (funcionamiento automático).
- Visualizador de temperatura ambiente de dos dígitos.

# FUNCIONAMIENTO

## Panel de controles

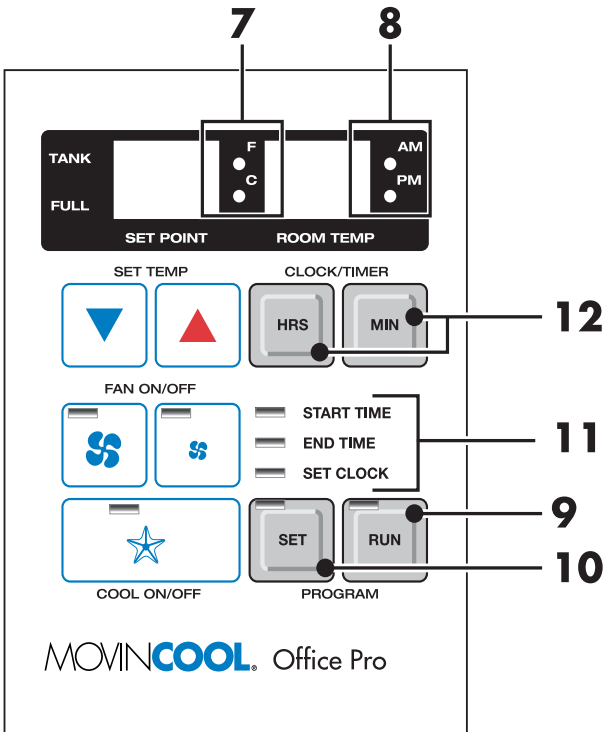
Antes de usar la unidad, es importante que se familiarice con los controles básicos ubicados en el panel de controles.



- |                          |  |
|--------------------------|--|
| ① COOL ON/OFF            | Activa/desactiva el modo COOL (FRÍO) / Apaga la unidad.  |
| ② FAN ON/OFF Boton       | Activa/desactiva el modo del ventilador HIGH (ALTO) o LOW (BAJO).  |
| ③ SET TEMP Boton (▼/▲)   | Aumenta o disminuye el punto de config. de la temperatura.   |
| ④ <b>TANK FULL LED</b>   | Destella cuando el tanque de drenaje está lleno.   |
| ⑤ Visualizador SET POINT | Indica el punto de config. de temperatura; también se usa para ver la hora del reloj cuando lo programa. |
| ⑥ Visualizador ROOM TEMP | Indica la temperatura ambiente actual; también se usa para ver los minutos del reloj cuando lo programa. |

# FUNCIONAMIENTO (cont.)

## Panel de controles (Cont.)



- ⑦ Escala de Temperatura LED Se ilumina para indicar la temperatura indicada en °C or °F; también muestra el reloj cuando lo programa.
- ⑧ **AM/PM** LED Se ilumina para indicar AM o PM.
- ⑨ Program **RUN** Activa/desactiva un programa.
- ⑩ Program **SET** Permite que el usuario programe la unidad o revise un programa actual.
- ⑪ **START TIME** LED  
**END TIME** LED  
**SET CLOCK** LED Se ilumina para indicar el paso actual que se está programando en la unidad.
- ⑫ CLOCK/TIMER Permite que el usuario configure el reloj y programe el tiempo de comienzo y final de funcionamiento.

# FUNCIONAMIENTO (cont.)

## Funcionamiento en modo COOL

- ① La unidad puede funcionar en el modo COOL al presionar el botón COOL ON/OFF (se ilumina la pantalla).

**NOTA: En el modo COOL solamente puede apagar la unidad presionando el botón COOL ON/OFF nuevamente, y no al presionar los botones del ventilador.**

- ② Cambie la velocidad del ventilador presionando los botones del ventilador HIGH o LOW.
- ③ Cambie el punto de config. de la temperatura presionando los botones SET TEMP (▼/▲).

**NOTA: Cuando enciende la unidad, el punto de config. y la velocidad del ventilador quedan determinados por el último modo de operación (modo de programación no incluido).**

## Funcionamiento en modo ventilador solamente

- ① La unidad puede funcionar también en modo Fan Only (Ventilador solamente) al presionar los botones del ventilador HIGH o LOW (se ilumina la pantalla).
- ② La unidad se puede apagar presionando el botón de la velocidad del ventilador que está iluminado.

## Cambio del modo FAN ONLY al modo COOL

El modo COOL se puede activar mientras la unidad está funcionando en el modo FAN ONLY. Para hacerlo, simplemente presione el botón COOL ON/OFF (se ilumina la pantalla).

**NOTA: El modo Fan Only no funcionará después que se activa el modo COOL. Después de activar el modo COOL, la unidad no se puede apagar tocando los botones del ventilador, sino que se debe presionar el botón COOL ON/OFF.**



# FUNCIONAMIENTO (cont.)

## Cómo configurar un programa

- ① **Configuración de START TIME (HORA DE ARRANQUE)**  
Presione el botón Program SET. Los botones de Program SET y **START TIME** se iluminan. Presione los botones de HRS y MIN para configurar la HORA DE ARRANQUE.
- ② **Configuración de END TIME (HORA DE TERMINACIÓN)**  
Presione el botón Program SET hasta que se ilumina **END TIME**. Presione los botones de HRS y MIN para configurar la HORA DE TERMINACIÓN.
- ③ **Configuración de CLOCK TIME (RELOJ)**  
Presione el botón Program SET hasta que se ilumina **SET CLOCK**. Presione los botones de HRS y MIN para configurar la hora actual en la unidad.

**NOTA:** La indicación luminosa AM/PM cambiará con el botón HRS.

- ④ **Programación de la temperatura SET POINT**  
Presione el botón Program SET hasta que la temperatura SET POINT actual comienza a destellar. Seleccione una nueva temperatura SET POINT deseada (18°C a 35°C) (65°F – 95°F) presionando los botones SET TEMP (▼/▲).
- ⑤ **Programación de Fan Speed (Velocidad del ventilador)**  
Presione el botón Program SET hasta que uno de los botones de Fan Speed (HIGH/LOW) comienza a destellar. Ésta es la velocidad actual programada para la velocidad del ventilador. Para cambiarla, simplemente presione el otro botón de Fan Speed.
- ⑥ **Salida de la función Program SET**  
Después de cambiar alguna de las configuraciones anteriores, continúe presionando el botón Program SET hasta que se apaga la iluminación del mismo. Luego, la unidad regresa al modo anterior.
- ⑦ **Activación y desactivación del Preset Program(Programa preestablecido)**  
Presione el botón Program RUN para activar o desactivar un programa preestablecido. La pantalla de Program **RUN** se ilumina en señal de activado.

## **FUNCIONAMIENTO (cont.)**

Cómo configurar un programa (Cont.)

**NOTA:**

- *La unidad regresará al modo anterior si se apaga un programa mientras éste está activo.*
- *La pantalla de Program RUN destella mientras un programa está activo. Se ilumina continuamente cuando el modo del programa está activado.*
- *Mientras corre un programa, éste se puede parar solamente presionando el botón Program RUN. Ninguno de los otros botones se puede tocar cuando corre el programa.*
- *La unidad regresa al modo anterior al final de un programa.*
- *No es necesario que la unidad esté encendida para configurar un programa.*
- *Durante la programación, la unidad regresa al modo anterior si no ocurre ninguna actividad durante aproximadamente 35 segundos.*

# **FUNCIONAMIENTO (cont.)**

## **Modos de funcionamiento**

Ambos modelos de Office Pro funcionan en dos modos, Fan Only y COOL. Cuando está en el modo Fan Only, la unidad circula el aire circundante. Cuando está en el modo COOL mode, el compresor funciona y circula aire frío.

- **Modo COOL**

Ambos modelos funcionarán en el modo Fan Only durante aproximadamente 90 segundos antes de que arranque el compresor. (La configuración del tiempo de demora es  $90 \pm 15$  segundos.)

- **Control de temperatura**

El termostato de temperatura ambiente permite que la unidad cambie automáticamente entre los modos COOL y Fan Only. Esto es independiente de la temperatura del aire de entrada contra la temperatura del punto de configuración.

- **Conmutador de control del modo Fan**

El conmutador de control del modo Fan (Fan Mode Control DIP Switch) determina si el ventilador continuará funcionando o se detendrá cuando se apaga el compresor. (La temperatura del punto de configuración es igual a la temperatura ambiente.) La unidad viene configurada de fábrica para que el ventilador funcione continuamente.

- **Conmutador del visualizador de escala de temperatura**

El conmutador del visualizado de escala de temperatura (Temperature Scale Display DIP Switch) cambia las temperaturas que aparecen en °C o °F. La unidad viene configurada de fábrica para que muestre las temperaturas en °F.

**NOTA: Si usted desea cambiar el funcionamiento de modo de ventilador (COOL  $\Rightarrow$  OPERATE [FUNCIÓN] a COOL  $\Rightarrow$  STOP [PARAR]), y el visualizador de escala de temperatura (°F to °C), comuníquese con el revendedor de MovinCool.**

## FUNCIONAMIENTO (cont.)

### Vaciado del tanque de drenaje

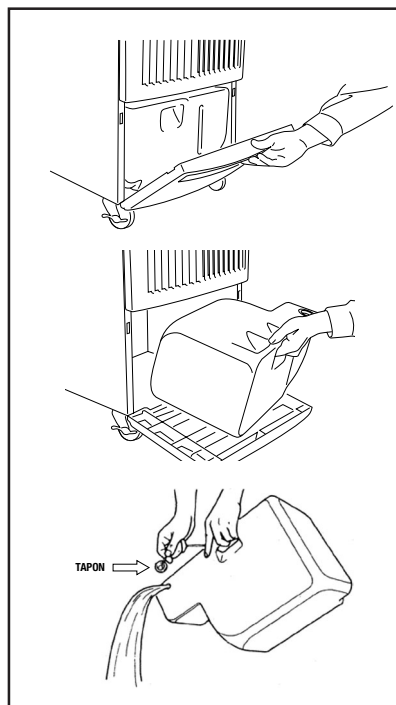
Durante el modo COOL, se acumulará la condensación en el tanque de drenaje. Cuando éste se llena, destella **FULL TANK** y la unidad se apaga automáticamente.

**NOTA:** Si usted quiere vaciar el tanque de drenaje, mientras la unidad está en funcionamiento, presione el botón **COOL ON/OFF** para apagar la unidad. Si está corriendo un programa, primero debe presionar el botón **Program RUN**.

① Abra la tapa del tanque de drenaje.

② Quite el tanque de drenaje de la unidad.

③ Quite el tapon del tanque de drenaje y vacíelo.



④ Vuelva a poner la tapa en el tanque de drenaje y colóquelo en la unidad.

⑤ Cierre la tapa del tanque de drenaje.

⑥ Si Program **RUN** destella, presione el botón **COOL ON/OFF** para seguir corriendo el programa. Si el Program **RUN** está iluminado continuamente, no necesita hacer nada más. Si no hay programa o el programa está desactivado, presione el botón **COOL ON/OFF** para volver a arrancar la unidad.

## FUNCIONAMIENTO (cont.)

### Kit de la bomba de drenaje (Opcional) (Modelo Office Pro 12 SOLAMENTE)

Está disponible un kit de la bomba de drenaje (CPK-3) para permitir el funcionamiento continuo y eliminar la necesidad de tener que drenar el tanque.

- Cuando el agua llega al nivel (A) en el tanque de la bomba, la bomba comienza a funcionar y vacía el agua.

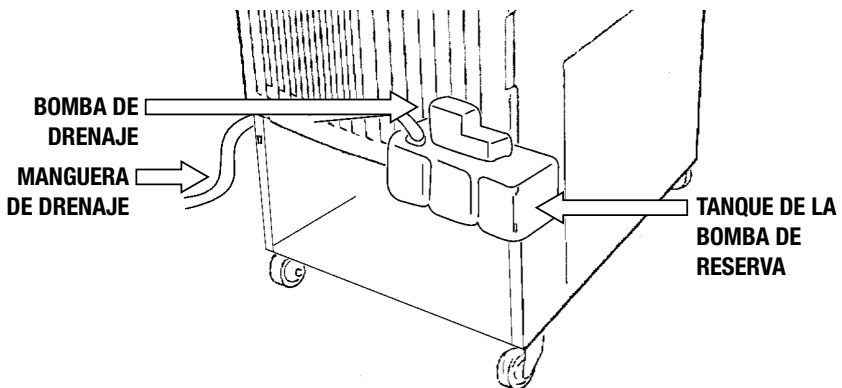


**NOTA: El compresor no funcionará mientras la bomba de drenaje está descargando agua.**

- Cuando el nivel de agua cae por debajo del nivel (B), se detiene la bomba de drenaje y el compresor arranca.

**NOTA: Si por algún motivo el nivel de agua excede el nivel (A) en el tanque de la bomba, una Llave de drenaje de sobreflujo detendrá el funcionamiento del compresor.**

**NOTA: Si el Conmutador de control del modo Fan (ver la página 37) está en la posición STOP (PARAR), la unidad completa (incluyendo el funcionamiento del ventilador) se apagará ya sea debido a la Llave de drenaje de sobreflujo o mientras la bomba de drenaje está sacando el agua.**



## FUNCIONAMIENTO (cont.)

### Kit de la bomba de drenaje (Opcional) (Modelo Office Pro 24 SOLAMENTE)

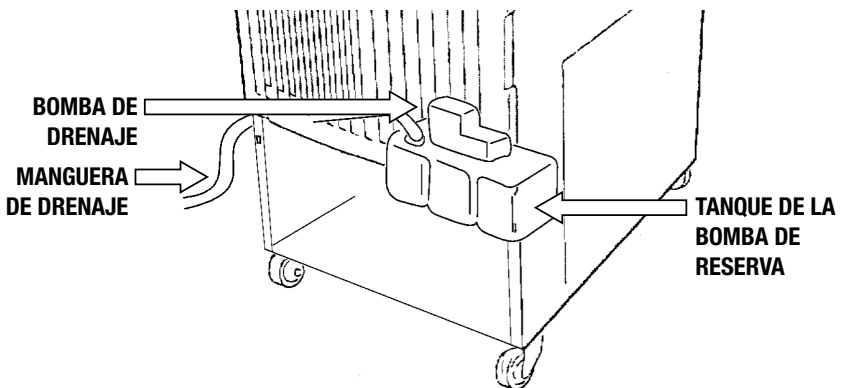
Está disponible un kit de la bomba de drenaje (CPK-3) para permitir el funcionamiento continuo y eliminar la necesidad de tener que drenar el tanque.

- Cuando el agua llega al nivel (A) en el tanque de la bomba, la bomba comienza a funcionar y vacía el agua.
- Cuando el agua cae por debajo del nivel (B), se para la bomba de drenaje.



**NOTA:** Si por algún motivo el nivel de agua excede el nivel (A) en el tanque de la bomba, una Llave de drenaje de sobreflujo detendrá el funcionamiento del compresor.

**NOTA:** Si el Conmutador de control del modo Fan (ver la página 37) está en la posición STOP (PARAR), la unidad completa (incluyendo el funcionamiento del ventilador) se apagará debido a la Llave de drenaje de sobreflujo.



# INSPECCIÓN DIARIA Y MANTENIMIENTO

## Vaciado del tanque de drenaje

Para vaciar el tanque de drenaje, vea las instrucciones en la página 38.

## Limpieza de los filtros de aire

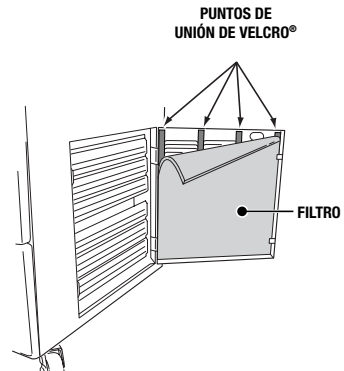
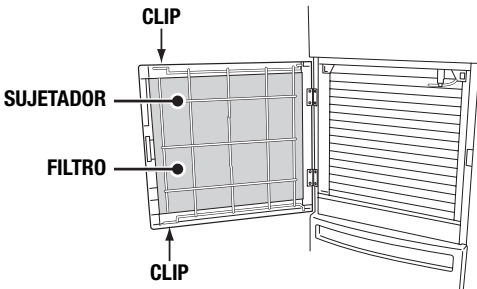
Limpie los filtros de aire una vez por semana. Si la unidad se usa en un ambiente con polvo, es posible que deba limpiarlos con más frecuencia.

Un filtro sucio de aire reduce la salida de aire, lo cual resulta en una disminución de la capacidad de enfriamiento.

## Método de extracción de filtros (ambos modelos)

- ① Apague la unidad presionando el botón COOL ON/OFF. Si un programa está corriendo, usted debe presionar primero el botón Program "RUN".
- ② Quite los dos filtros de aire.

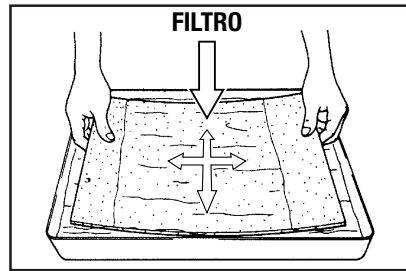
**NOTA:** Para quitar los filtros de aire de los modelos Office Pro, abra las puertas de filtros de los paneles lateral y frontal. En la puerta del panel frontal, quite con cuidado el sujetador del filtro de los clips tirando del sujetador en esos puntos. En el lado de los puntos de unión del Velcro®.



# INSPECCIÓN DIARIA Y MANTENIMIENTO (cont.)

## Método de limpieza de los filtros

- ① Quite el polvo del filtro con una aspiradora o enjuáguelo en agua fría o tibia. Si el filtro está muy sucio, lávelo con detergente neutro.
- ② Después de limpiar el filtro, enjuáguelo con agua, déjelo secar y vuelva a instalarlo.



## Inspección y mantenimiento en y fuera de estación

### ■ En estación

- ① Revise las púas y la superficie del cordón eléctrico para ver que no tengan ni polvo ni tierra. Si están sucias, límpielas con un trapo limpio y seco.
- ② Revise el cordón eléctrico, el enchufe y las púas para asegurarse de que no estén gastados ni tengan juego excesivo. Si están gastados o tienen juego excesivo, comuníquese con el revendedor de MovinCool para que los arregle.
- ③ Revise los filtros de aire y el tanque de drenaje.
- ④ Limpie la parte externa de las unidades con un trapo húmedo o un limpiador no abrasivo.

### ■ Fuera de estación

- ① Haga funcionar la unidad en modo Fan Only durante 8 horas.

**Nota: El funcionamiento de la unidad es necesario para secar el interior de la misma.**

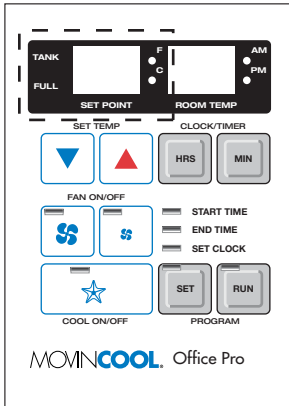
- ② Desconecte el cordón eléctrico del tomacorriente.
- ③ Revise las púas y la superficie del cordón eléctrico para ver que no tengan ni polvo ni tierra. Si están sucias, límpielas con un trapo limpio y seco.
- ④ Revise el cordón eléctrico, el enchufe y las púas para asegurarse de que no estén gastados ni tengan juego excesivo. Si están gastados o tienen juego excesivo, comuníquese con el revendedor de MovinCool para que los arregle.
- ⑤ Limpie los filtros de aire.
- ⑥ Vacíe todo el agua del tanque de drenaje.



# RESOLUCIÓN DE FALLAS

## Códigos de diagnóstico propio

Los códigos de diagnóstico propio aparecen en el Tablero de control bajo las siguientes condiciones:



## Código Condición

- dF Cuando el termistor de evaporación suelta el compresor.
- FL Cuando el interruptor del tanque de drenaje apaga la unidad. **(FULL TANK se ilumina).**
- AS Cuando la unidad suelta el compresor mientras la bomba saca agua.
- HP Cuando el interruptor de alta presión suelta el interruptor.
- LO Temperatura mínima fijada
- HI Punto de fijación temperatura máxima .

Revise los siguientes puntos antes de llamar a un técnico calificado.

SÍNTOMA	POSIBLE CAUSA	SOLUCIÓN
<i>Unidad no funciona</i>	<ol style="list-style-type: none"> <li>① Saltó el conector a tierra</li> <li>② Tanque de drenaje lleno <b>(FULL TANK se ilumina)</b></li> </ol>	Reconfig. conector Vaciar tanque de drenaje
<i>Enfriado insuficiente</i>	<ol style="list-style-type: none"> <li>① Filtros de aire sucios/bloq.</li> <li>② Entrada/salida aire tapada</li> <li>③ Config. temp. inapropiada</li> </ol>	Limpiar filtros de aire Despejar entra/salida Poner posición deseada

Si los síntomas continúan después de haber tomado las acciones arriba detalladas, apague la unidad, desconecte el cordón eléctrico y comuníquese con el revendedor de MovinCool.

# ESPECIFICACIONES TÉCNICAS

ART./CARACTERÍSTICAS	MODELO	
	Office Pro 12	Office Pro 24
<b>Cond. de clasificación</b> <i>bulbo seco</i> <i>bulbo mojado</i> <i>humedad</i>	95° F (35° C) 83° F (28,2° C) (60%)	95° F (35° C) 83° F (28,2° C) (60%)
<b>Especificaciones</b> <i>frecuencia de potencia</i> <i>voltaje en línea</i> <i>consumo de energía</i> <i>consumo de corriente</i> <i>factor de potencia</i> <i>corriente de arranque</i> <i>cableado de potencia</i>	60Hz <i>fase simple 115 V</i> 1,23 Kw 11,3 Amps 95% 32A 14 (3-core) AWG	60Hz <i>fase simple 208/230V</i> 2,7 Kw 13,1/11,8 Amps 99% 32,9A 12 (3-core) AWG
<b>Unidad de enfriamiento</b> <i>capacidad de enfriamiento</i>  <i>sistema de enfriado</i>	2,950 Kcal/h 11,700 BTU/h <i>expansión directa</i>	6.000 Kcal/h 24.000 BTU/h <i>expansión directa</i>
<b>Soplador</b> <i>tipo de ventilador</i> <i>vol. aire: Evaporador (Alta vel.)</i> <i>Condens. (Alta vel.)</i> <i>salida motor (Alta)</i> <i>(Baja)</i>	<i>ventil. centrífugo</i> 441 ft <sup>3</sup> /min (745 m <sup>3</sup> /h) 823 ft <sup>3</sup> /min (1391 m <sup>3</sup> /h) 0,14 Kw 0,08 Kw	<i>ventil. centrífugo</i> 632 ft <sup>3</sup> /min (1068 m <sup>3</sup> /h) 867 ft <sup>3</sup> /min (1465 m <sup>3</sup> /h) 0,48 Kw 0,41 Kw
<b>Compresor</b> <i>tipo</i> <i>salida</i> <i>tipo de refrigerante</i> <i>capacidad de refrigerante</i>	<i>rotatorio</i> 0,8 Kw R-22 0,95 lbs (0,43 kg)	<i>rotatorio</i> 1,4 Kw R-22 2,17 lbs (0,96 kg)
<b>Dipositivos de seguridad</b> <i>protector de sobrecarga del compresor</i> <i>protector del motor del ventilador</i> <i>termistor anticongelante</i> <i>conmutador del tanque de drenaje lleno</i> <i>reinicio automático (interrupción de la alimentación)</i> <i>programa temporizador del compresor</i>	<i>incluído</i>  <i>incluído</i> <i>incluído</i>  <i>incluído</i>  <i>incluído</i>  <i>incluído</i>	<i>incluído</i>  <i>incluído</i> <i>incluído</i>  <i>incluído</i>  <i>incluído</i>  <i>incluído</i>
<b>Peso y dimensiones</b> <i>An x P x Al (in)</i> <i>An x P x Al (mm)</i> <i>peso (lbs/kg)</i>	21,2" x 27,4" x 44" 538 x 696 x 1118 165 / 75	21,2" x 27,4" x 47,25" 538 x 696 x 1200 210 / 95
<b>Condiciones de funcionamiento</b> <i>aire aspirado (humedad relativa)</i>	95° F (35° C), ≤ 60% 65° F (18,3° C), ≥ 50%	95° F (35° C), ≤ 60% 65° F (18,3° C), ≥ 50%
<b>Dispositivo de control</b> <i>control de temperatura</i> <i>cronómetro programable</i> <i>ventilador de dos velocidades</i>	<i>incluído</i> <i>incluído</i> <i>incluído</i>	<i>incluído</i> <i>incluído</i> <i>incluído</i>

# MODE D'EMPLOI

**OFFICE PRO 12 et OFFICE PRO 24**

**MOVINCOOL®**  
LA SOLUTION DE REFROIDISSEMENT PORTABLE SUR PLACE



# Table des matières

<b>AVANT-PROPOS</b> .....	49
Définition des termes .....	49
<b>AVERTISSEMENTS ET MISES EN GARDE GENERALES</b> .....	50
<b>INVENTAIRE</b> .....	51
<b>INSTALLATION</b> .....	52
Choix de l'emplacement d'installation .....	52
Déplacement de l'appareil .....	53
Branchement de l'appareil.....	53
<b>CARACTERISTIQUES</b> .....	55
<b>FONCTIONNEMENT</b> .....	56
Tableau de commande .....	56
Fonctionnement en mode COOL .....	58
Fonctionnement en mode Fan Only.....	58
Permutation entre les modes Fan Only et COOL .....	58
Comment effectuer la programmation .....	59
Modes de fonctionnement .....	61
Vidange du réservoir .....	62
Kit de pompe de vidange (option) .....	63
<b>VERIFICATION QUOTIDIENNE ET ENTRETIEN</b> .....	65
Vidange du réservoir .....	65
Nettoyage des filtres à air .....	65
Méthode de dépose des filtres (les deux modèles) .....	65
Méthode de nettoyage des filtres .....	66
Vérification en/hors saison et entretien .....	66
<b>RECHERCHE DE PANNES</b> .....	67
Codes d'auto-diagnostic .....	67
<b>CARACTERISTIQUES TECHNIQUES</b> .....	68



## AVANT-PROPOS

Félicitations pour avoir acheté un climatiseur portable MovinCool.

Ce manuel explique comment installer et utiliser les climatiseurs portables MovinCool Office Pro 12 et Office Pro 24. Veuillez lire ce manuel attentivement pour vous familiariser avec les caractéristiques de l'appareil et pour garantir des années d'utilisation sans problème. N'égarez pas le mode d'emploi, car il pourrait vous servir pour toute référence ultérieure.

Les composants et/ou procédures sont sujets à modification sans préavis.

### Définition des termes

**⚠AVERTISSEMENT:** Décrit les précautions qui doivent être observées afin d'éviter des blessures pendant l'installation ou l'utilisation de l'appareil.

**⚠ATTENTION:** Décrit les précautions qui doivent être observées afin d'éviter des dégâts à l'appareil ou à ses composants, qui pourraient se produire pendant l'installation ou l'utilisation de l'appareil en cas de manque de prudence.

**REMARQUE:** Apporte des informations complémentaires qui facilitent l'installation ou l'utilisation de l'appareil.

## **AVERTISSEMENTS ET MISES EN GARDE GENERALES**

- Tout intervention électrique, le cas échéant, doit être effectuée par un personnel qualifié en électricité. Les réparations aux composants électriques par des techniciens non qualifiés peuvent entraîner des blessures et/ou endommager l'appareil. Tous les composants électriques remplacés doivent être des pièces d'origine MovinCool, achetées auprès d'un revendeur agréé.
- La prise électrique retenue pour alimenter les appareils MovinCool doit être équipée d'un disjoncteur à la terre agréé UL permettant d'éviter une électrocution due à l'appareil.
- En raison des risques potentiels dans certaines conditions spécifiques, nous conseillons vivement d'éviter toute utilisation de rallonge électrique. Cependant, si malgré tout vous décidez d'utiliser une rallonge, il est absolument impératif d'en utiliser une qui soit équipée d'une mise à la terre à 3 fils homologuée UL, avec prise de terre à trois fiches et un plot à trois encoches qui se branchera sur l'appareil. Le cordon d'alimentation doit porter la valeur nominale de 115 volts, 15 A ou équivalent.
- Le modèle Office Pro 12 est équipé d'un câble électrique de 3 mètres. Le modèle Office Pro 24 est équipé d'un câble électrique de 1,8 mètre. En cas de remplacement, un emplacement fixe (câble dur) ou un prolongement du câble électrique (rallonge) est nécessaire; contactez votre revendeur ou un électricien qualifié pour appliquer les méthodes de remplacement adéquates.
- Ne jamais plier ou placer d'objets lourds sur le câble électrique. Cela risque d'entraîner des dommages au câble électrique et de provoquer une électrocution ou un incendie.
- Ne pas renverser d'eau ou tout autre liquide sur l'appareil. Cela peut provoquer des dégâts à l'appareil et augmenter le risque d'électrocution.
- Ne pas s'asseoir ou se tenir debout sur l'appareil.

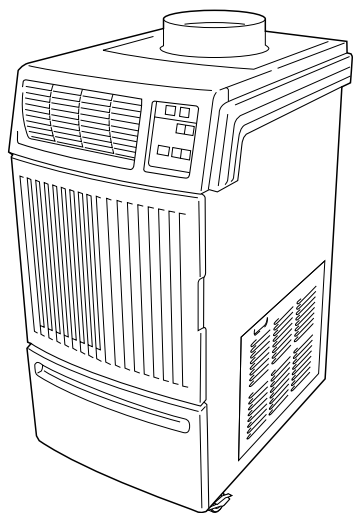


# INVENTAIRE

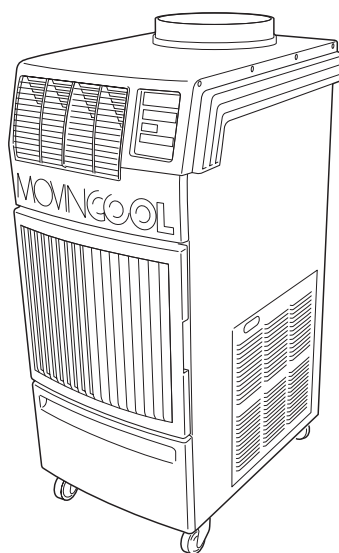
Après avoir déballé votre appareil MovinCool, veuillez vérifier si vous avez les éléments suivants:

- Appareil MovinCool Office Pro 12 ou Office Pro 24 (1)
- Mode d'emploi/Carte de garantie (1)

**REMARQUE: Si l'un de ces éléments n'est pas inclus dans la boîte ou semble endommagé, veuillez contacter votre revendeur MovinCool pour procéder au remplacement.**



**APPAREIL MOVIN COOL OFFICE PRO 12**



**APPAREIL MOVIN COOL OFFICE PRO 24**



**MODE D'EMPLOI /  
CARTE DE GARANTIE**

# INSTALLATION

## Choix de l'emplacement d'installation

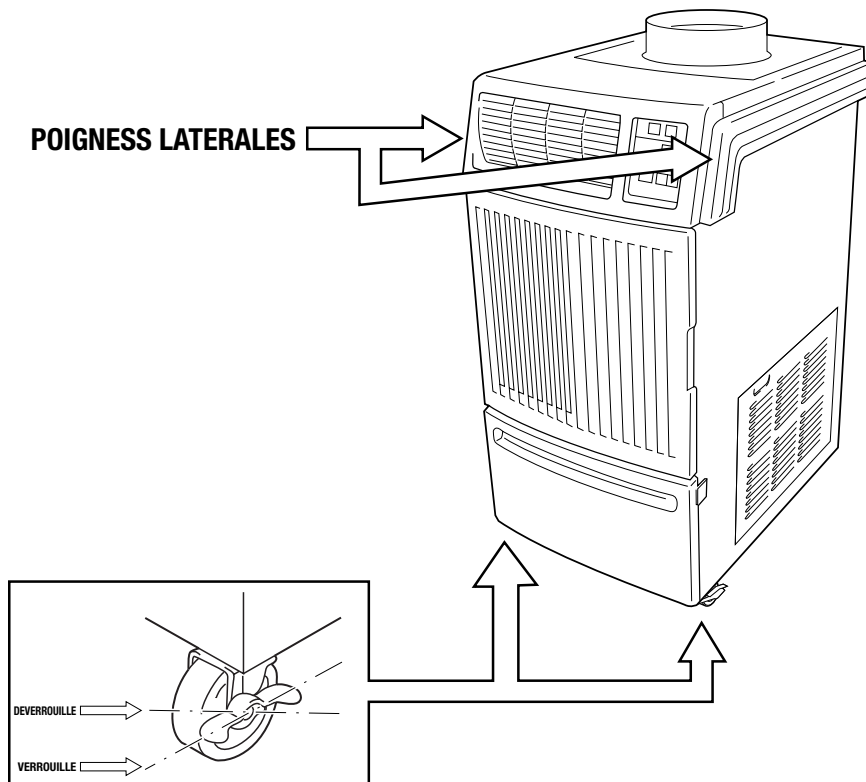
**⚠ATTENTION: Voici quelques précautions à respecter avant de choisir un emplacement d'installation. Veuillez respecter ces consignes attentivement car une mauvaise installation peut entraîner des blessures et/ou endommager l'appareil.**

- Ne pas utiliser l'appareil dans des endroits où des fuites de gaz inflammable risquent de se produire.
- Ne pas utiliser l'appareil dans des endroits où il sera exposé à de l'eau ou de la pluie.
- Ne pas utiliser l'appareil dans une atmosphère exposée à des gaz ou de la vapeur corrosifs.
- Ne pas utiliser l'appareil dans des endroits où la température est inférieure à la plage opérationnelle permise.
- Ne pas installer l'appareil sur une surface inclinée. L'appareil risque de se déplacer ou de basculer, même si les roulettes sont mises en position LOCKED (VERROUILLE).
- Installer l'appareil dans des endroits qui peuvent résister au poids de l'appareil. L'appareil Office Pro 12 pèse environ 91 kg et l'Office Pro 24 pèse environ 111 kg (lorsque le réservoir de vidange est rempli d'eau).
- Laisser un espace d'une soixantaine de centimètres autour de l'appareil afin de ne pas obstruer les entrées et sorties d'air.
- Ne pas utiliser l'appareil au-delà de 45°C et de 50% d'humidité relative.

## INSTALLATION (suite)

### Déplacement de l'appareil

Déverrouiller les roulettes et pousser l'appareil MovinCool à l'aide des poignées latérales jusqu'à une surface plane et remettre les roulettes en position LOCKED (VERROUILLE).



# INSTALLATION (suite)

## Branchement de l'appareil

- Vérifier si les broches et la surface de la fiche électrique ne sont pas poussiéreuses/encrassées. S'il y a de la poussière et/ou de la saleté, l'éliminer avec un chiffon propre et sec.
- Vérifier si le câble d'alimentation, la fiche ou les broches ne sont pas endommagés ou ne présentent pas un jeu excessif. En cas de dommage ou de jeu excessif, contacter un revendeur MovinCool pour qu'il procède à la réparation.
- Pour le modèle Office Pro 24, insérer à fond la fiche dans la prise électrique et la faire tourner dans le sens des aiguilles d'une montre jusqu'à ce qu'elle se bloque.

### **⚠AVERTISSEMENT:**

- **Si le câble d'alimentation ou la fiche est endommagé, la réparation ne peut être effectuée que par un personnel qualifié en électricité.**
- **Ne pas raccorder/débrancher le câble ou tenter d'utiliser les boutons avec les mains humides. Cela peut entraîner un choc électrique.**

### **⚠ATTENTION:**

- **Modèle Office Pro 12 UNIQUEMENT: La prise électrique (115 V CA, monophasé, 60Hz) doit afficher un ampérage de 15A minimum. Ne pas partager la prise avec d'autres appareils.**
- **Modèle Office Pro 24 UNIQUEMENT: La prise CA (208/230 V CA, monophasé, 60Hz) doit afficher un ampérage de 20A minimum. Ne pas partager la prise avec d'autres appareils.**

### **REMARQUE:**

- ***S'assurer que la prise électrique est exempte de saleté, de poussière, d'huile, d'eau ou d'autres corps étrangers.***
- ***Le modèle Office Pro 12 est équipé d'une fiche agréée NEMA (L5-15). Il convient d'utiliser la prise appropriée pour ce type de fiche.***
- ***Le modèle Office Pro 24 est équipé d'une fiche agréée NEMA (L6-20). Il convient d'utiliser la prise appropriée pour ce type de fiche.***

# CARACTERISTIQUES

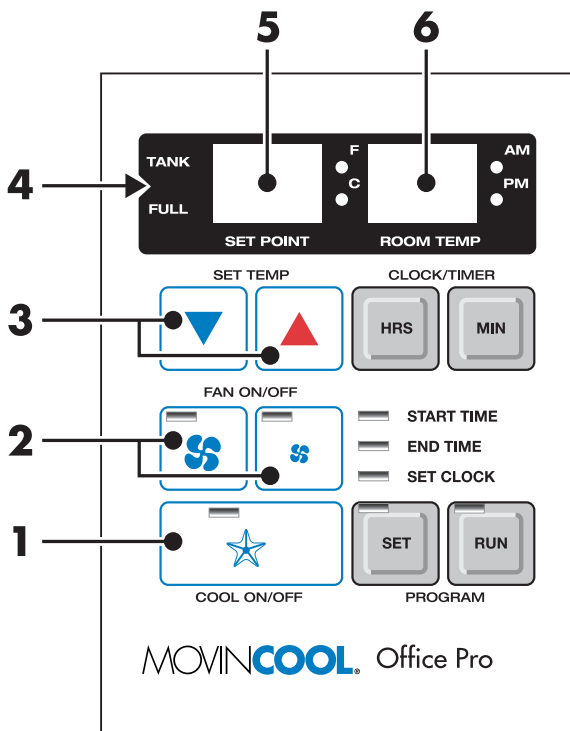
## Les deux modèles se caractérisent par:

- Un tableau de commande électronique qui permet à l'utilisateur de commander l'appareil aisément.
- Une double vitesse du ventilateur (soit High, soit Low) à la fois en mode COOL et Fan Only.
- Un écran d'affichage numérique qui indique le point de réglage de la température (SET POINT) (en degrés Fahrenheit ou Celsius) dans lequel le mode COOL fonctionnera. C'est également la température que les appareils tenteront de maintenir. Le point de réglage de la température peut être défini entre 18°C et 35°C au moyen des boutons SET TEMP (▼/▲).
- Un écran d'affichage (LED) de niveau plein (TANK FULL) de réservoir de vidange du condensat.
- Une fonction de redémarrage automatique lors d'une remise sous tension après une panne de courant. L'appareil reviendra au mode de fonctionnement préalable à la coupure de courant. Tout programme prédéfini sera mémorisé en cas d'éventuelle panne de courant.
- Une fonction d'horloge/temporisateur programmable. Elle permet à l'utilisateur de programmer une heure spécifique de la journée à laquelle l'appareil commencera à fonctionner/démarrer et s'éteindra/s'arrêtera (Fonctionnement automatique).
- Un affichage de température de la pièce à deux chiffres.

# FONCTIONNEMENT

## Tableau de commande

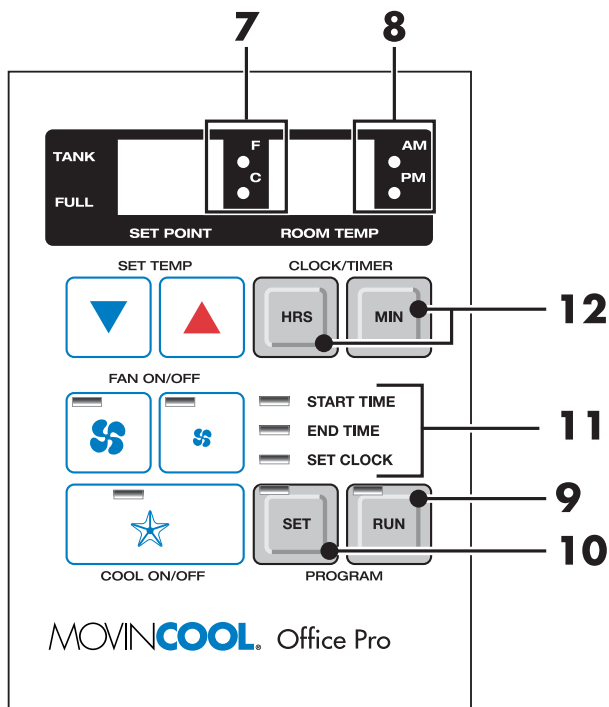
Avant d'utiliser l'appareil, il est important de vous familiariser avec les commandes de base situées sur le tableau de commande.



- |   |                        |  |
|---|------------------------|--|
| ① | Touche COOL ON/OFF     | Active/désactive le mode COOL / éteint l'appareil.   |
| ② | Touches FAN ON/OFF     | Active/désactive le mode de ventilateur High ou Low.   |
| ③ | Touches SET Temp (▼/▲) | Augmente/diminue le point de réglage de la température.  |
| ④ | LED TANK FULL          | Clignote lorsque le réservoir de vidange est plein.  |
| ⑤ | Affichage SET POINT    | Indique le point de température réglé; également utilisé pour afficher l'heure lors de la programmation.           |
| ⑥ | Affichage ROOM TEMP    | Indique la température actuelle de la pièce; également utilisé pour afficher les minutes lors de la programmation. |

# FONCTIONNEMENT (suite)

Tableau de commande (suite)



- ⑦ LED d'échelle de température  
S'allume pour indiquer que les températures affichées sont en degrés °C ou °F; affiche également l'horloge en cours de programmation.
- ⑧ LED **AM/PM**  
S'allume pour indiquer la partie de la journée (AM ou PM).
- ⑨ Touche Program **RUN**  
Active/désactive un programme.
- ⑩ Touche Program **SET**  
Permet à l'utilisateur de programmer l'appareil ou de vérifier le programme en cours.
- ⑪ LED **START TIME**  
LED **END TIME**  
LED **SET CLOCK**  
S'allume pour indiquer l'étape actuelle qui est programmée dans l'appareil.
- ⑫ Touches **CLOCK/TIMER**  
Permettent à l'utilisateur de régler l'heure et de programmer l'heure de début et de fin du cycle.

## FONCTIONNEMENT (suite)

### Fonctionnement en mode COOL

- ① L'appareil peut fonctionner en mode COOL en appuyant sur la touche COOL ON/OFF (la LED s'allume).

**REMARQUE:** En mode COOL, l'appareil ne peut être éteint qu'en appuyant de nouveau sur la touche COOL ON/OFF, et non pas en appuyant sur les touches du ventilateur.

- ② Changer la vitesse du ventilateur en appuyant sur les touches de ventilateur HIGH ou LOW.
- ③ Changer le point de réglage de la température en appuyant sur les touches SET TEMP (▼/▲).

**REMARQUE:** Lors de la mise sous tension de l'appareil, le point de réglage et la vitesse du ventilateur sont déterminés en fonction du dernier mode de fonctionnement (mode de programmation non inclus).

### Fonctionnement en mode Fan Only

- ① L'appareil peut également fonctionner en mode Fan Only en appuyant sur les touches HIGH ou LOW (la LED s'allume).
- ② L'appareil peut ensuite être mis hors tension en appuyant sur la touche de vitesse du ventilateur qui est allumée.

### Permutation entre les modes Fan Only et COOL

Le mode COOL peut être activé pendant que l'appareil fonctionne en mode Fan Only. Pour ce faire, il suffit d'appuyer sur la touche COOL ON/OFF (la LED s'allume).

**REMARQUE:** Le mode Fan Only ne fonctionnera pas une fois que le mode COOL a été activé. Une fois que le mode COOL a été activé, l'appareil ne peut plus être mis hors tension en appuyant sur les touches de ventilation. La touche COOL ON/OFF doit être enfoncée.



# FONCTIONNEMENT (suite)

## Comment effectuer la programmation

- ① **Réglage de l'HEURE DE DEBUT**  
Appuyer sur la touche Program SET. La touche Program SET et la LED **START TIME** s'allument. Appuyer sur les touches HRS et MIN pour régler l'HEURE DE DEBUT.
- ② **Réglage de l'HEURE DE FIN**  
Appuyer sur la touche Program SET jusqu'à ce que la LED **END TIME** s'allume. Appuyer sur les touches HRS et MIN pour régler l'HEURE DE FIN.
- ③ **Réglage de l'HORLOGE**  
Appuyer sur la touche Program SET jusqu'à ce que la LED **SET CLOCK** s'allume. Appuyer sur les touches HRS et MIN pour régler l'horloge de l'appareil.

**REMARQUE: La LED AM/PM changera avec la touche HRS.**

- ④ **Programmation du POINT DE REGLAGE de la température (SET POINT)**  
Appuyer sur la touche Program SET jusqu'à ce que l'affichage de la température du SET POINT actuel commence à clignoter. Sélectionner une nouvelle température de SET POINT (18°C – 35°C) en appuyant sur les touches SET TEMP (▼/▲).
- ⑤ **Programmation de la vitesse du ventilateur**  
Appuyer sur la touche Program SET jusqu'à ce que l'une des LED des touches vitesse de ventilateur (HIGH/LOW) commence à clignoter. Il s'agit de la vitesse du ventilateur actuellement programmée. Pour modifier la vitesse du ventilateur programmée, appuyer simplement sur l'autre touche de vitesse du ventilateur.
- ⑥ **Quitter la fonction Program SET**  
Après avoir modifié l'un des réglages ci-dessus, maintenir la touche Program SET enfoncée jusqu'à ce que la LED de la touche Program SET s'éteigne. L'appareil reviendra ensuite au mode précédent.
- ⑦ **Activation/Désactivation d'un programme présélectionné**  
Appuyer sur la touche Program RUN pour activer/désactiver un programme présélectionné. La LED Program **RUN** s'allume lorsqu'elle est activée.

## **FONCTIONNEMENT (suite)**

Comment effectuer la programmation (suite)

### **REMARQUE:**

- *L'appareil reviendra au mode précédent si un programme est éteint pendant qu'il fonctionne.*
- *La LED Program RUN clignote pendant qu'un programme fonctionne. Elle s'allume en continu lorsque le mode de programmation est activé.*
- *Pendant qu'un programme fonctionne, le programme ne peut être arrêté qu'en appuyant sur la touche Program RUN. Toutes les autres touches sont inopérantes lorsqu'un programme fonctionne.*
- *L'appareil revient au mode précédent à la fin du programme.*
- *Pour pouvoir effectuer une programmation, l'appareil ne doit pas fonctionner.*
- *Pendant la programmation, l'appareil revient au mode précédent si aucune modification n'est introduite pendant environ 35 secondes.*

# FUNCTIONNEMENT (suite)

## Modes de fonctionnement

Les deux modèles Office Pro fonctionnent dans les 2 modes, FAN Only et COOL. En mode FAN Only, l'appareil fait circuler l'air ambiant. En mode COOL, le compresseur est en marche et de l'air frais circule.

- **Mode COOL**

Ces deux modèles fonctionneront en mode Fan Only pendant environ 90 secondes avant que le compresseur se mette en route. (Le réglage de la temporisation est de  $90 \pm 15$  secondes.)

- **Contrôle de température**

La thermistance de température de la pièce permet à l'appareil d'alterner automatiquement entre les modes COOL et Fan Only. Cette permutation se fait en fonction de la température de l'air d'entrée et du point de réglage de la température.

- **Microcommutateur de commande de mode de ventilateur**

Le microcommutateur de commande de mode de ventilateur détermine si le VENTILATEUR continuera à fonctionner ou s'arrêtera lorsque les cycles du compresseur sont à l'arrêt. (Le point de réglage de température équivaut à la température de l'air d'entrée ou de la pièce.) L'appareil a été réglé en usine pour un fonctionnement en continu du ventilateur.

- **Microcommutateur d'affichage d'échelle de température**

Le microcommutateur d'affichage d'échelle de température permet d'afficher la/les températures en °C ou en °F. L'appareil a été réglé en usine pour afficher la/les température(s) en °F.

**REMARQUE: Si vous désirez modifier le mode de fonctionnement du ventilateur (COOL  $\Rightarrow$  OPERATE à COOL  $\Rightarrow$  STOP), et/ou l'affichage de l'échelle de température (°F à °C), contactez votre revendeur MovinCool.**

## FONCTIONNEMENT (suite)

### Vidange du réservoir

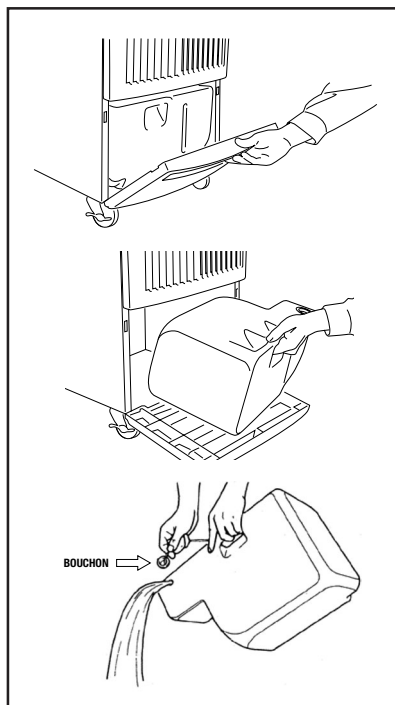
En mode **COOL**, le condensat va s'accumuler dans le réservoir de vidange. Lorsque le réservoir de vidange est plein, la LED **FULL TANK** se mettra à clignoter et l'appareil se coupera automatiquement.

**REMARQUE:** Si vous voulez vider le réservoir de vidange pendant que l'appareil est en marche, appuyez sur la touche **COOL ON/OFF** pour éteindre l'appareil. Si un programme fonctionne, il convient tout d'abord d'appuyer sur la touche **Program RUN**.

① Ouvrir le couvercle du réservoir de vidange de l'appareil.

② Sortir le réservoir de vidange de l'appareil.

③ Oter le bouchon et vider le réservoir de vidange.



④ Remettre le bouchon en place et replacer le réservoir de vidange dans l'appareil.

⑤ Fermer le couvercle du réservoir de vidange.

⑥ Si la LED Program **RUN** clignote, appuyer sur la touche **COOL ON/OFF** pour continuer à exécuter le programme. Si la LED Program **RUN** est allumée en permanence, aucune autre étape n'est nécessaire. Si aucun programme n'existe ou si le programme a été désactivé, appuyer sur la touche **COOL ON/OFF** pour redémarrer l'appareil.

## FUNCTIONNEMENT (suite)

### Kit de pompe de vidange (option) (modèle Office Pro 12 UNIQUEMENT)

Un kit de pompe de vidange (CPK-3) est disponible en option pour permettre un fonctionnement en continu et supprimer le besoin d'un réservoir de vidange.

- Lorsque l'eau atteint le niveau (A) du réservoir de pompe, la pompe de vidange s'enclenche et évacue l'eau.

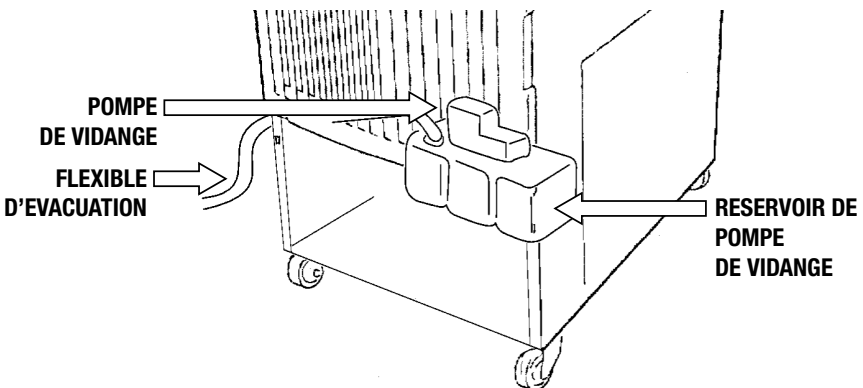


**REMARQUE:** Le compresseur ne fonctionnera pas pendant que la pompe de vidange évacue l'eau.

- Lorsque le niveau d'eau redescend sous le point (B), la pompe de vidange s'arrête et le compresseur redémarre.

**REMARQUE:** Si pour l'une ou l'autre raison, le niveau d'eau dépasse le point (A) du réservoir de pompe, un contacteur de trop-plein arrêtera le fonctionnement du compresseur.

**REMARQUE:** Si le microcommutateur de commande de mode de ventilateur (cf page 61) est mis en position STOP, l'appareil (y compris le fonctionnement du ventilateur) se mettra hors fonction soit sous l'action du contacteur de trop-plein, soit parce que la pompe de vidange évacue l'eau.



## FONCTIONNEMENT (suite)

### KIT DE POMPE DE VIDANGE (option) (modèle Office Pro 24 UNIQUEMENT)

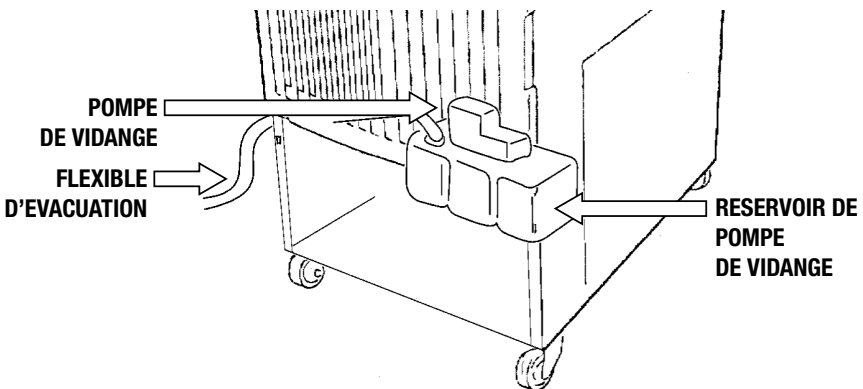
Un kit de pompe de vidange (CPK-5) est disponible en option pour permettre un fonctionnement en continu et supprimer le besoin d'un réservoir de vidange.

- Lorsque l'eau atteint le niveau (A) du réservoir de pompe, la pompe de vidange s'enclenche et évacue l'eau.
- Lorsque le niveau d'eau redescend sous le point (B), la pompe de vidange s'arrêtera.



**REMARQUE:** Si pour l'une ou l'autre raison, le niveau d'eau dépasse le point (A) du réservoir de pompe, un contacteur de trop-plein arrêtera le fonctionnement du compresseur.

**REMARQUE:** Si le microcommutateur de commande de mode de ventilateur (cf page 61) est mis en position STOP, l'appareil (y compris le fonctionnement du ventilateur) se mettra hors fonction sous l'action du contacteur de trop-plein.



# VERIFICATION QUOTIDIENNE ET ENTRETIEN

## Vidange du réservoir

Pour vider le réservoir de vidange, se reporter aux instructions de la page 62.

## Nettoyage des filtres à air

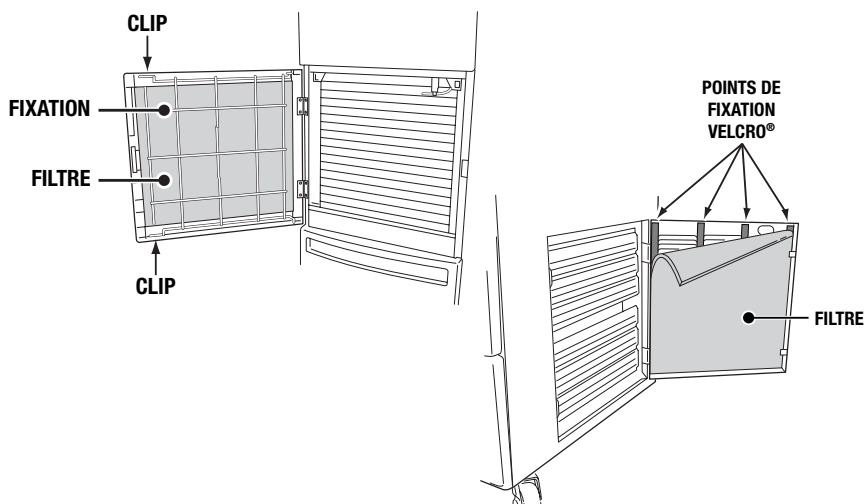
Nettoyer les filtres à air une fois par semaine. Si l'appareil est utilisé dans un environnement poussiéreux, un nettoyage plus fréquent peut s'avérer nécessaire.

Un filtre à air encrassé réduit le débit d'air, ce qui entraîne une réduction de la capacité de refroidissement.

## Méthode de dépose des filtres (les deux modèles)

- ① Mettre l'appareil hors tension en appuyant sur la touche COOL ON/OFF. Si un programme fonctionne, il convient tout d'abord d'appuyer sur la touche Program "RUN".
- ② Oter les deux filtres à air.

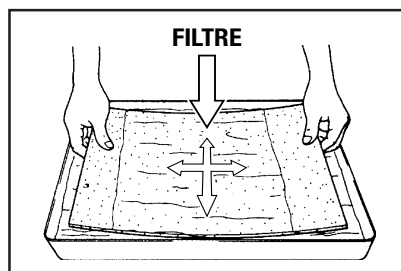
**REMARQUE:** Pour enlever les filtres des modèles Office Pro, ouvrir les clapets de filtre du panneau avant et du panneau latéral. Sur le clapet du panneau avant, retirer délicatement la fixation du filtre de ses clips en tirant sur la fixation en ces deux points. Sur le clapet de panneau latéral, enlever délicatement l'élément de filtre des points de fixation Velcro®.



# VERIFICATION QUOTIDIENNE ET ENTRETIEN (suite)

## Méthode de nettoyage des filtres

- ① Eliminer la poussière de l'élément au moyen d'un aspirateur, ou rincer dans de l'eau froide ou tiède. Si l'élément est extrêmement sale, nettoyer avec un détergent neutre.
- ② Une fois que l'élément a été nettoyé, rincer avec de l'eau courante, laisser sécher, puis remettre en place.



## Vérification en/hors saison et entretien

### ■ En saison

- ① Vérifier si les broches et la surface de la fiche électrique ne sont pas poussiéreuses et/ou encrassées. S'il y a de la poussière et/ou de la saleté, l'éliminer avec un chiffon propre et sec.
- ② Vérifier si le câble d'alimentation, la fiche ou les broches ne sont pas endommagés ou ne présentent pas un jeu excessif. En cas de dommage ou de jeu excessif, contacter un revendeur MovinCool pour qu'il procède à la réparation.
- ③ Vérifier les filtres à air et le réservoir de vidange.
- ④ Nettoyer l'extérieur des appareils au moyen d'un chiffon humide ou d'un nettoyant non abrasif.

### ■ Hors saison

- ① Faire fonctionner l'appareil en mode Fan Only pendant 8 heures.

**Remarque: Cette opération est nécessaire pour sécher l'intérieur de l'appareil.**

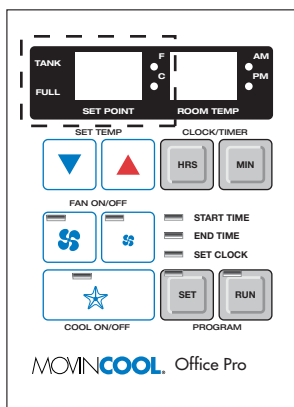
- ② Débrancher le câble électrique de la prise secteur.
- ③ Vérifier si les broches et la surface de la fiche électrique ne sont pas poussiéreuses et/ou encrassées. S'il y a de la poussière et/ou de la saleté, l'éliminer avec un chiffon propre et sec.
- ④ Vérifier si le câble d'alimentation, la fiche ou les broches ne sont pas endommagés ou ne présentent pas un jeu excessif. En cas de dommage ou de jeu excessif, contacter un revendeur MovinCool pour qu'il procède à la réparation.
- ⑤ Nettoyer les filtres à air.
- ⑥ Vider l'eau présente dans le réservoir de vidange.



# RECHERCHE DE PANNES

## Codes d'auto-diagnostic

Les codes d'auto-diagnostic seront affichés sur le tableau de commande dans les conditions suivantes:



## Code Condition

- dF Lorsque la thermistance d'évaporateur coupe le compresseur.
- FL Lorsque le contacteur de réservoir de vidange coupe l'appareil (la LED **FULL TANK** clignote).
- AS Lorsque l'appareil coupe le compresseur pendant que la pompe à condensat évacue l'eau.
- HP Lorsque le contacteur de haute pression coupe le compresseur.
- LO Point de réglage de température le plus bas.
- HI Point de réglage de la température maximale.

Vérifier les points suivants avant de faire appel à un technicien qualifié.

SYMPTOME	CAUSE POSSIBLE	REMEDE
L'appareil ne fonctionne pas	<ul style="list-style-type: none"> <li>① Disjoncteur de terre déclenché</li> <li>② Le réservoir de vidange est plein (La LED <b>FULL TANK</b> se met à clignoter)</li> </ul>	<ul style="list-style-type: none"> <li>Réinitialiser le disjoncteur</li> <li>Vider le réservoir de vidange</li> </ul>
Refroidissement insuffisant	<ul style="list-style-type: none"> <li>① Filtres à air encrassés/obstrués</li> <li>② Entrée/sortie d'air obstruée</li> <li>③ Mauvais réglage de température</li> </ul>	<ul style="list-style-type: none"> <li>Nettoyer les filtres à air</li> <li>Libérer l'entrée/la sortie d'air</li> <li>Mettre à la position désirée</li> </ul>

Si les symptômes persistent après les mesures ci-dessus, mettre l'appareil hors tension, débrancher la fiche d'alimentation électrique et contacter un revendeur MovinCool.

# CARACTERISTIQUES TECHNIQUES

CARACTERISTIQUES	Office Pro 12	Office Pro 24
Conditions nominales boule sèche boule mouillée humidité	95° F (35° C) 83° F (28,2° C) (60%)	95° F (35° C) 83° F (28,2° C) (60%)
Spécifications fréquence électrique tension de ligne consommation électrique consommation de courant facteur de puissance courant de démarrage câblage électrique	60Hz monophasé 115 V 1,23 Kw 11,3 A 95% 32A 14 (3 fils) AWG	60Hz monophasé 208/230V 2,7 Kw 13,1/11,8 A 99% 32,9 A 12 (3 fils) AWG
Appareil de refroidissement capacité de refroidissement système de refroidissement	2.950 Kcal/h 11.700 BTU/h expansion directe	6,000 Kcal/h 24,000 BTU/h expansion directe
Soufflante type de ventilateur volume d'air:Évaporateur (haute vitesse) Condenseur (haute vitesse) puissance du moteur (haute vitesse) (basse vitesse)	ventilateur centrifuge 441 ft <sup>3</sup> /min (745 m <sup>3</sup> /h) 823 ft <sup>3</sup> /min (1391 m <sup>3</sup> /h) 0,14 Kw 0,08 Kw	ventilateur centrifuge 632 ft <sup>3</sup> /min (1068 m <sup>3</sup> /h) 867 ft <sup>3</sup> /min (1465 m <sup>3</sup> /h) 0,48 Kw 0,41 Kw
Compresseur type puissance type de réfrigérant quantité de réfrigérant	rotatif 0,8 Kw R-22 0,43 kg	rotatif 1,4 Kw R-22 2,17 lbs (0,96 kg)
Dispositifs de sécurité protection contre la surcharge du compresseur protection du moteur de ventilateur thermistance antigel contacteur de réservoir de vidange plein redémarrage automatique (coupure de courant) programme de temporisation du compresseur	include include include include inclus inclus	include include include include inclus inclus
Dimensions & poids L x P x H (in.) L x P x H (mm) poids (lbs/kg)	21,2" x 27,4" x 44" 538 x 696 x 1118 165 / 75	21,2" x 27,4" x 47,25" 538 x 696 x 1200 210 / 95
Conditions de fonctionnement air d'entrée (humidité relative)	95° F (35° C), ≤ 60% 65° F (18,3° C), ≥ 50%	95° F (35° C), ≤ 60% 65° F (18,3° C), ≥ 50%
Dispositif de commande commande de température programmateur deux vitesses de ventilateur	include inclus incluses	include inclus incluses



# LIMITED WARRANTY

DENSO SALES CALIFORNIA, INC. ("DENSO") warrants its MOVINCOOL Products only to the extent stated in its official written warranties. Unless otherwise specifically provided in writing by DENSO, DENSO warrants to end-user that the Products shall be free of defects in materials or workmanship and will function in accordance with DENSO's published specifications under ordinary intended use and service for a period of twelve (12) months after delivery to the end-user; provided, however, in the case of the compressor element of the Products such warranty shall be for a period of thirty six (36) months after delivery to the end-user. DENSO shall, at its sole option, repair or replace any defective Product covered by this warranty. Such remedy shall be end-user's sole remedy with respect to any particular defect in the Products.

This warranty does not cover defects or malfunctions which result from causes beyond DENSO's control, including, without limitation, (i) unusual physical or electrical stress; (ii) accident, neglect, abuse, misuse or other abnormal use; (iii) failure to perform routine maintenance in accordance with DENSO'S recommended procedures; (iv) normal wear and tear; (v) repairs or attempted repairs by an unauthorized person; (vi) modifications or alterations to the Products; (vii) use with supplies or devices not supplied or approved by DENSO; or (viii) improper servicing. This warranty shall extend only to the original end-user and shall be void if any labels or other identifying marks permanently affixed to Products when shipped by DENSO are removed, altered, defaced or obliterated.

The aforesaid warranty is the only warranty made by DENSO with respect to the Products and is in lieu of all obligations or liabilities on the part of DENSO for damages arising out of or in connection with the sale, use or performance of the Products, including, without limitation, any lost profits or any other consequential, incidental, special or exemplary damages of any kind. DENSO DISCLAIMS ALL OTHER WARRANTIES WITH REGARD TO THE PRODUCTS, INCLUDING ALL IMPLIED WARRANTIES OF MERCHANTABILITY AND FITNESS FOR USE. THERE ARE NO WARRANTIES WHICH EXTEND BEYOND THE DESCRIPTION CONTAINED HEREIN.

**PURCHASE DATE:** \_\_\_\_\_

**SERIAL NUMBER:** \_\_\_\_\_

↓ DETACH HERE ↓

## MOVINCOOL. REGISTRATION CARD

### OWNER INFORMATION

Company \_\_\_\_\_  
 Contact \_\_\_\_\_  
 Title \_\_\_\_\_  
 Address \_\_\_\_\_  
 City/State/Zip \_\_\_\_\_  
 Phone \_\_\_\_\_ FAX \_\_\_\_\_  
 E-Mail \_\_\_\_\_

Date of Purchase \_\_\_\_\_

Model No. (check one)

- Classic 10
- Classic 18
- Classic 40
- Classic 60
- Classic Plus 14
- Classic Plus 26
- Office Pro 10
- Office Pro 12
- Office Pro 18
- Office Pro 24
- Office Pro 60

Serial No. (on side panel) \_\_\_\_\_

**DEALER NAME** \_\_\_\_\_

**DEALER LOCATION** \_\_\_\_\_

### What is your type of business?

- Banking/Finance
- Education
- Government/Military
- Hospital/Healthcare
- Restaurant/Foodservice
- Sales/Marketing
- Manufacturing-plastics
- Manufacturing-metals
- Manufacturing-paper/wood products
- Manufacturing-electronics/electrical components
- Manufacturing-other
- Utility

### How did you first hear about MovinCool?

- Magazine Ad
- Magazine Article
- Direct Mail
- Postcard Deck
- Trade Show
- Referral
- Other \_\_\_\_\_

### What factors most influenced your decision to purchase a MovinCool?

- Product Quality
- Price
- Portability
- Ease of Installation
- Energy Savings
- Versatility

### Have you previously purchased a MovinCool?

- Yes
- No

If yes, how many units do you own? \_\_\_\_\_

### What is the primary use for this unit?

- Cooling people
- Cooling equipment
- Cooling a process
- Other \_\_\_\_\_

### Where is the unit used?

- Office
- Manufacturing or Warehouse
- Hospital/Laboratory
- Computer/Equipment Room
- Kitchen/Laundry
- Special Events/Outdoors
- Other \_\_\_\_\_

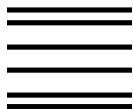
**Comments** \_\_\_\_\_

# DENSO

DENSO SALES CALIFORNIA, INC.  
3900 Via Oro Avenue  
Long Beach CA 90810-1868  
800-264-9573 / 310-834-6352  
[www.movincool.com](http://www.movincool.com)

Fourth Issue: April 2003  
Printed in the U.S.A.

Technical Services Department  
DSCA P/N: LA990009-1218  
GAC P/N: LA484007-1421

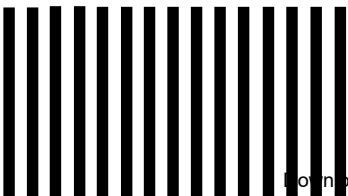


**BUSINESS REPLY MAIL**

FIRST-CLASS MAIL PERMIT NO. 8390 LONG BEACH, CA

POSTAGE WILL BE PAID BY ADDRESSEE

NO POSTAGE  
NECESSARY  
IF MAILED  
IN THE  
UNITED STATES



**MOVINCOOL**<sup>®</sup>

Powering New Solutions With Portable Air-Conditioning

DENSO SALES CALIFORNIA, INC.  
3900 VIA ORO AVENUE  
LONG BEACH CA 90810-9969



## Free Manuals Download Website

<http://myh66.com>

<http://usermanuals.us>

<http://www.somanuals.com>

<http://www.4manuals.cc>

<http://www.manual-lib.com>

<http://www.404manual.com>

<http://www.luxmanual.com>

<http://aubethermostatmanual.com>

Golf course search by state

<http://golfingnear.com>

Email search by domain

<http://emailbydomain.com>

Auto manuals search

<http://auto.somanuals.com>

TV manuals search

<http://tv.somanuals.com>