

# 10" Compound Power Miter Saw (Model SM100M)



Part No. 90513776 1-07  
Copyright © 2007 Delta Machinery



To learn more about DELTA MACHINERY  
visit our website at: [www.deltamachinery.com](http://www.deltamachinery.com).

For Parts, Service, Warranty or other Assistance,  
please call **1-800-223-7278** (In Canada call **1-800-463-3582**).

**ESPAÑOL: PÁGINA 23**

**FRANÇAIS: PAGE 38**

# TABLE OF CONTENTS

IMPORTANT SAFETY INSTRUCTIONS .....	2
SAFETY GUIDELINES .....	3
GENERAL SAFETY RULES .....	4
ADDITIONAL SPECIFIC SAFETY RULES .....	5
FUNCTIONAL DESCRIPTION .....	7
CARTON CONTENTS .....	8
ASSEMBLY .....	8
OPERATION .....	11
MAINTENANCE .....	20
TROUBLESHOOTING .....	21
SERVICE .....	22
ACCESSORIES .....	22
WARRANTY .....	22
ESPAÑOL .....	23
FRENCH .....	38
SERVICE CENTER LOCATIONS .....	.back cover

## IMPORTANT SAFETY INSTRUCTIONS

**▲ WARNING** Read and understand all warnings and operating instructions before using any tool or equipment. When using tools or equipment, basic safety precautions should always be followed to reduce the risk of personal injury. Improper operation, maintenance or modification of tools or equipment could result in serious injury and property damage. There are certain applications for which tools and equipment are designed. Delta Machinery strongly recommends that this product NOT be modified and/or used for any application other than for which it was designed.

If you have any questions relative to its application DO NOT use the product until you have written Delta Machinery and we have advised you.

Online contact form at [www.deltamachinery.com](http://www.deltamachinery.com)

Postal Mail: Technical Service Manager  
Delta Machinery  
4825 Highway 45 North  
Jackson, TN 38305  
(IN CANADA: 125 Mural St. Suite 300, Richmond Hill, ON, L4B 1M4)

Information regarding the safe and proper operation of this tool is available from the following sources:

Power Tool Institute  
1300 Sumner Avenue, Cleveland, OH 44115-2851  
[www.powertoolinstitute.org](http://www.powertoolinstitute.org)

National Safety Council  
1121 Spring Lake Drive, Itasca, IL 60143-3201

American National Standards Institute, 25 West 43rd Street, 4 floor, New York, NY 10036 [www.ansi.org](http://www.ansi.org)  
ANSI 01.1 Safety Requirements for Woodworking Machines, and

the U.S. Department of Labor regulations [www.osha.gov](http://www.osha.gov)

**SAVE THESE INSTRUCTIONS!**

# SAFETY GUIDELINES - DEFINITIONS

It is important for you to read and understand this manual. The information it contains relates to protecting YOUR SAFETY and PREVENTING PROBLEMS. The symbols below are used to help you recognize this information.



- ▲ DANGER** Indicates an imminently hazardous situation which, if not avoided, will result in death or serious injury.
- ▲ WARNING** Indicates a potentially hazardous situation which, if not avoided, could result in death or serious injury.
- ▲ CAUTION** Indicates a potentially hazardous situation which, if not avoided, may result in minor or moderate injury.
- CAUTION** Used without the safety alert symbol indicates potentially hazardous situation which, if not avoided, may result in property damage.

## CALIFORNIA PROPOSITION 65

**▲ WARNING** Some dust created by power sanding, sawing, grinding, drilling, and other construction activities contains chemicals known to cause cancer, birth defects or other reproductive harm. Some

examples of these chemicals are:

- lead from lead-based paints,
- crystalline silica from bricks and cement and other masonry products, and
- arsenic and chromium from chemically-treated lumber (CCA).

Your risk from these exposures varies, depending on how often you do this type of work. To reduce your exposure to these chemicals: work in a well ventilated area, and work with approved safety equipment, such as those dust masks that are specially designed to filter out microscopic particles.

- Avoid prolonged contact with dust from power sanding, sawing, grinding, drilling, and other construction activities. Wear protective clothing and wash exposed areas with soap and water. Allowing dust to get into your mouth, eyes, or lay on the skin may promote absorption of harmful chemicals.

**Use of this tool can generate and/or disperse dust, which may cause serious and permanent respiratory or other injury.** Always use NIOSH/OSHA approved respiratory protection appropriate for the dust exposure. Direct particles away from face and body.

**Wear appropriate hearing protection during use.** Under some conditions and duration of use, noise from this product may contribute to hearing loss.

**▲ WARNING** DO NOT EXPOSE TO RAIN OR USE IN DAMP LOCATIONS.



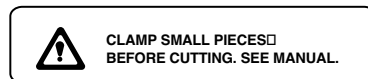
For your convenience and safety, the following warning labels are on your miter saw.

### ON MOTOR HOUSING:

**WARNING: FOR YOUR OWN SAFETY, READ INSTRUCTION MANUAL BEFORE OPERATING SAW. WHEN SERVICING, USE ONLY IDENTICAL REPLACEMENT PARTS. ALWAYS WEAR EYE PROTECTION.**

### ON FENCE:

**CLAMP SMALL PIECES BEFORE CUTTING. SEE MANUAL**



**ON GUARD: DANGER – KEEP AWAY FROM BLADE.**

**DANGER**  
KEEP AWAY  
FROM BLADE



**ON TABLE: (2 PLACES)**



**ON GUARD RETAINER PLATE:** TO REDUCE THE RISK OF INJURY, READ INSTRUCTION MANUAL BEFORE OPERATING MITER SAW. WHEN SERVICING, USE ONLY IDENTICAL REPLACEMENT PARTS. DO NOT EXPOSE TO RAIN OR USE IN DAMP LOCATIONS. ALWAYS USE PROPER EYE AND RESPIRATORY PROTECTION. USE ONLY 10" (254MM) SAW BLADES RECOMMENDED FOR 5200RPM OR HIGHER WITH 5/8" ARBOR." KEEP HANDS OUT OF PATH OF SAW BLADE. DO NOT OPERATE SAW WITHOUT GUARDS IN PLACE. CHECK LOWER GUARD FOR PROPER CLOSING BEFORE EACH USE. ALWAYS TIGHTEN ADJUSTMENT KNOBS BEFORE USE. DO NOT PERFORM ANY OPERATION FREEHAND. NEVER REACH IN BACK OF SAW BLADE. NEVER CROSS ARMS IN FRONT OF BLADE. TURN OFF TOOL AND WAIT FOR SAW BLADE TO STOP BEFORE MOVING WORKPIECE, CHANGING SETTINGS OR MOVING HANDS. DISCONNECT POWER BEFORE CHANGING BLADE OR SERVICING. TO REDUCE THE RISK OF INJURY, RETURN CARRIAGE TO THE FULL REAR POSITION AFTER EACH CROSSCUT OPERATION. THINK! YOU CAN PREVENT ACCIDENTS.

# GENERAL SAFETY RULES



## ⚠ WARNING

**READ AND UNDERSTAND ALL WARNINGS AND OPERATING INSTRUCTIONS BEFORE USING THIS EQUIPMENT.** Failure to follow all instructions listed below, may result in electric shock, fire, and/or serious personal injury or property damage.

### IMPORTANT SAFETY INSTRUCTIONS

- FOR YOUR OWN SAFETY, READ AND UNDERSTAND THE INSTRUCTION MANUAL BEFORE OPERATING THE MACHINE.** Learning the machine's application, limitations, and specific hazards will greatly minimize the possibility of accidents and injury.
- USE CERTIFIED SAFETY EQUIPMENT.** Eye protection equipment should comply with ANSI Z87.1 standards, hearing equipment should comply with ANSI S3.19 standards, and dust mask protection should comply with MSHA/NIOSH certified respirator standards. Splinters, air-borne debris, and dust can cause irritation, injury, and/or illness.
- DRESS PROPERLY.** Do not wear tie, gloves, or loose clothing. Remove watch, rings, and other jewelry. Roll up your sleeves. Clothing or jewelry caught in moving parts can cause injury.
- DO NOT USE THE MACHINE IN A DANGEROUS ENVIRONMENT.** The use of power tools in damp or wet locations or in rain can cause shock or electrocution. Keep your work area well-lit to prevent tripping or placing arms, hands, and fingers in danger.
- MAINTAIN ALL TOOLS AND MACHINES IN PEAK CONDITION.** Keep tools sharp and clean for best and safest performance. Follow instructions for lubricating and changing accessories. Poorly maintained tools and machines can further damage the tool or machine and/or cause injury.
- CHECK FOR DAMAGED PARTS.** Before using the machine, check for any damaged parts. Check for alignment of moving parts, binding of moving parts, breakage of parts, and any other conditions that may affect its operation. A guard or any other part that is damaged **should be properly repaired or replaced.** Damaged parts can cause further damage to the machine and/or injury.
- KEEP THE WORK AREA CLEAN.** Cluttered areas and benches invite accidents.
- KEEP CHILDREN AND VISITORS AWAY.** Your shop is a potentially dangerous environment. Children and visitors can be injured.
- REDUCE THE RISK OF UNINTENTIONAL STARTING.** Make sure that the switch is in the "OFF" position before plugging in the power cord. In the event of a power failure, move the switch to the "OFF" position. An accidental start-up can cause injury.
- USE THE GUARDS.** Check to see that all guards are in place, secured, and working correctly to prevent injury.
- REMOVE ADJUSTING KEYS AND WRENCHES BEFORE STARTING THE MACHINE.** Tools, scrap pieces, and other debris can be thrown at high speed, causing injury.
- USE THE RIGHT MACHINE.** Don't force a machine or an attachment to do a job for which it was not designed. Damage to the machine and/or injury may result.
- USE RECOMMENDED ACCESSORIES.** The use of accessories and attachments not recommended by Delta may cause damage to the machine or injury to the user.
- USE THE PROPER EXTENSION CORD.** Make sure your extension cord is in good condition. When using an extension cord, be sure to use one heavy enough to carry the current your product will draw. An undersized cord will cause a drop in line voltage, resulting in loss of power and overheating. See the Extension Cord Chart for the correct size depending on the cord length and nameplate ampere rating. If in doubt, use the next heavier gauge. The smaller the gauge number, the heavier the cord.
- SECURE THE WORKPIECE.** Use clamps or a vise to hold the workpiece when practical. Loss of control of a workpiece can cause injury.
- FEED THE WORKPIECE AGAINST THE DIRECTION OF THE ROTATION OF THE BLADE, CUTTER, OR ABRASIVE SURFACE.** Feeding it from the other direction will cause the workpiece to be thrown out at a high speed.
- DON'T FORCE THE WORKPIECE ON THE MACHINE.** Damage to the machine and/or injury may result.
- DON'T OVERREACH.** Loss of balance can make you fall into a working machine, causing injury.
- NEVER STAND ON THE MACHINE.** Injury could occur if the tool tips, or if you accidentally contact the cutting tool.
- NEVER LEAVE THE MACHINE RUNNING UNATTENDED. TURN THE POWER OFF.** Don't leave the machine until it comes to a complete stop. A child or visitor could be injured.
- TURN THE MACHINE "OFF", AND DISCONNECT THE MACHINE FROM THE POWER SOURCE** before installing or removing accessories, before adjusting or changing set-ups, or when making repairs. An accidental start-up can cause injury.
- MAKE YOUR WORKSHOP CHILDPROOF WITH PADLOCKS, MASTER SWITCHES, OR BY REMOVING STARTER KEYS.** The accidental start-up of a machine by a child or visitor could cause injury.
- STAY ALERT, WATCH WHAT YOU ARE DOING, AND USE COMMON SENSE. DO NOT USE THE MACHINE WHEN YOU ARE TIRED OR UNDER THE INFLUENCE OF DRUGS, ALCOHOL, OR MEDICATION.** A moment of inattention while operating power tools may result in injury.
- THE DUST GENERATED** by certain woods and wood products can be injurious to your health. Always operate machinery in well-ventilated areas, and provide for proper dust removal. Use wood dust collection systems whenever possible.

# ADDITIONAL SPECIFIC SAFETY RULES

## ⚠ WARNING



**READ AND UNDERSTAND ALL WARNINGS AND OPERATING INSTRUCTIONS BEFORE USING THIS EQUIPMENT.** Failure to follow all instructions listed below, may result in electric shock, fire, and/or serious personal injury or property damage.

- DO NOT OPERATE THIS MACHINE** until it is completely assembled and installed according to the instructions. A machine incorrectly assembled can cause serious injury.
- OBTAIN ADVICE** from your supervisor, instructor, or another qualified person if you are not thoroughly familiar with the operation of this machine. Knowledge is safety.
- FOLLOW ALL WIRING CODES** and recommended electrical connections to prevent shock or electrocution.
- SECURE THE MACHINE TO A SUPPORTING SURFACE.** Vibration can possibly cause the machine to slide, walk, or tip over, causing serious injury.
- USE ONLY CROSSCUT SAW BLADES.** Use only zero-degree or negative hook angles when using carbide-tipped blades. Do not use blades with deep gullets. These can deflect and contact the guard, and can cause damage to the machine and/or serious injury.
- USE ONLY BLADES OF THE CORRECT SIZE AND TYPE** specified for this tool to prevent damage to the machine and/or serious injury.
- USE A SHARP BLADE.** Check the blade to see if it runs true and is free from vibration. A dull blade or a vibrating blade can cause damage to the machine and/or serious injury.
- INSPECT BLADE FOR CRACKS** or other damage prior to operation. A cracked or damaged blade can come apart and pieces can be thrown at high speeds, causing serious injury. Replace cracked or damaged blades immediately.
- CLEAN THE BLADE AND BLADE FLANGES** prior to operation. Cleaning the blade and flanges allows you to check for any damage to the blade or flanges. A cracked or damaged blade or flange can come apart and pieces can be thrown at high speeds, causing serious injury.
- USE ONLY BLADE FLANGES** specified for this tool to prevent damage to the machine and/or serious injury.
- CLEAR THE AREA OF FLAMMABLE LIQUIDS** and/or gas prior to operation. Sparks can occur that would ignite the liquids and cause a fire or an explosion.
- CLEAN THE MOTOR AIR SLOTS** of chips and sawdust. Clogged motor air slots can cause the machine to overheat, damaging the machine and possibly causing a short which could cause serious injury.
- TIGHTEN THE TABLE CLAMP HANDLE** and any other clamps prior to operation. Loose clamps can cause parts or the workpiece to be thrown at high speeds.
- NEVER START THE TOOL** with the blade against the workpiece. The workpiece can be thrown, causing serious injury.
- KEEP ARMS, HANDS, AND FINGERS** away from the blade to prevent severe cuts. Clamp all workpieces that would cause your hand to be in the "Table Hazard Zone" (within the red lines).
- ALLOW THE MOTOR TO COME TO FULL SPEED** prior to starting cut. Starting the cut too soon can cause damage to the machine or blade and/or serious injury.
- WHEN USING A SLIDING MITER SAW AS A REGULAR MITER SAW, LOCK THE SLIDE MECHANISM IN PLACE.** If the slide mechanism is not locked, the saw can kick back toward you.
- NEVER REACH AROUND** or behind the saw blade. A moving blade can cause serious injury.
- NEVER CUT FERROUS METALS** or masonry. Either of these can cause the carbide tips to fly off the blade at high speeds causing serious injury.
- NEVER CUT SMALL PIECES.** Cutting small pieces (where your hand would be within 6" of the saw blade) can cause your hand to move into the blade, resulting in serious injury.
- NEVER LOCK THE SWITCH** in the "ON" position. Setting up the next cut could cause your hand to move into the blade, resulting in severe injury.
- NEVER APPLY LUBRICANT** to a running blade. Applying lubricant could cause your hand to move into the blade, resulting in serious injury.
- DO NOT PERFORM FREE-HAND OPERATIONS** (wood that is not held firmly against the fence and table). Hold the work firmly against the fence and table. Free-hand operations on a miter saw could cause the workpiece to be thrown at high speeds, causing serious injury. Use clamps to hold the work when possible.
- PROPERLY SUPPORT LONG OR WIDE WORKPIECES.** Loss of control of the workpiece can cause serious injury.
- AFTER COMPLETING CUT,** release power switch and wait for coasting blade to come to a complete stop before returning saw to raised position. A moving blade can cause serious injury.
- TURN OFF THE MACHINE** and allow the blade to come to a complete stop prior to cleaning the blade area or removing debris in the path of the blade. A moving blade can cause serious injury.
- TURN OFF MACHINE** and allow the blade to come to a complete stop before removing or securing workpiece, changing workpiece angle, or changing the angle of the blade. A moving blade can cause serious injury.
- PROPERLY SUPPORT LONG OR WIDE WORKPIECES.** Loss of control of the workpiece can cause injury.
- NEVER PERFORM LAYOUT, ASSEMBLY, OR SET-UP WORK** on the table/work area when the machine is running. A sudden slip could cause a hand to move into the blade. Severe injury can result.
- TURN THE MACHINE "OFF",** disconnect the machine from the power source, and clean the table/work area before leaving the machine. **LOCK THE SWITCH IN THE "OFF" POSITION** to prevent unauthorized use. Someone else might accidentally start the machine and cause injury to themselves.
- BEFORE OPERATING THE SAW,** check and securely lock the bevel, miter, and sliding fence adjustments.
- THE CUTTING HEAD MUST RETURN QUICKLY TO THE FULL UP POSITION.** Failure to do so will not allow the lower guard to operate properly and may result in personal injury. See manual section on "Adjusting the Cuttinghead Return".
- ADDITIONAL INFORMATION** regarding the safe and proper operation of power tools (i.e. a safety video) is available from the Power Tool Institute, 1300 Sumner Avenue, Cleveland, OH 44115-2851 ([www.powertoolinstitute.com](http://www.powertoolinstitute.com)). Information is also available from the National Safety Council, 1121 Spring Lake Drive, Itasca, IL 60143-3201. Please refer to the American National Standards Institute ANSI O1.1 Safety Requirements for Woodworking Machines and the U.S. Department of Labor regulations.

**SAVE THESE INSTRUCTIONS.**

**Refer to them often and use them to instruct others.**

## POWER CONNECTIONS

A separate electrical circuit should be used for your machines. This circuit should not be less than #12 wire and should be protected with a 20 Amp time lag fuse. If an extension cord is used, use only 3-wire extension cords which have 3-prong grounding type plugs and matching receptacle which will accept the machine's plug. Before connecting the machine to the power line, make sure the switch (s) is in the "OFF" position and be sure that the electric current is of the same characteristics as indicated on the machine. All line connections should make good contact. Running on low voltage will damage the machine.

**▲WARNING SHOCK HAZARD. DO NOT EXPOSE THE MACHINE TO RAIN OR OPERATE THE MACHINE IN DAMP LOCATIONS.**

## GROUNDING INSTRUCTIONS

**▲WARNING SHOCK HAZARD. THIS MACHINE MUST BE GROUNDED WHILE IN USE TO PROTECT THE OPERATOR FROM ELECTRIC SHOCK.**

Your machine is wired for 120 Volt, 60 HZ alternating current. Before connecting the machine to the power source, make sure the switch is in the "OFF" position.

### 1. All grounded, cord-connected machines:

In the event of a malfunction or breakdown, grounding provides a path of least resistance for electric current to reduce the risk of electric shock. This machine is equipped with an electric cord having an equipment-grounding conductor and a grounding plug. The plug must be plugged into a matching outlet that is properly installed and grounded in accordance with all local codes and ordinances.

Do not modify the plug provided - if it will not fit the outlet, have the proper outlet installed by a qualified electrician.

Improper connection of the equipment-grounding conductor can result in risk of electric shock. The conductor with insulation having an outer surface that is green with or without yellow stripes is the equipment-grounding conductor. If repair or replacement of the electric cord or plug is necessary, do not connect the equipment-grounding conductor to a live terminal.

Check with a qualified electrician or service personnel if the grounding instructions are not completely understood, or if in doubt as to whether the machine is properly grounded.

Use only 3-wire extension cords that have 3-prong grounding type plugs and matching 3-conductor receptacles that accept the machine's plug, as shown in Fig. A.

Repair or replace damaged or worn cord immediately.

### 2. Grounded, cord-connected machines intended for use on a supply circuit having a nominal rating less than 150 volts:

If the machine is intended for use on a circuit that has an outlet that looks like the one illustrated in Fig. A, the machine will have a grounding plug that looks like the plug illustrated in Fig. A. A temporary adapter, which looks like the adapter illustrated in Fig. B, may be used to connect this plug to a matching 2-conductor receptacle as shown in Fig. B if a properly grounded outlet is not available. The temporary adapter should be used only until a properly grounded outlet can be installed by a qualified electrician. The green-colored rigid ear, lug, and the like, extending from the adapter must be connected to a permanent ground such as a properly grounded outlet box. Whenever the adapter is used, it must be held in place with a metal screw.

**NOTE: In Canada, the use of a temporary adapter is not permitted by the Canadian Electric Code.**

**▲WARNING SHOCK HAZARD. IN ALL CASES, MAKE CERTAIN THE RECEPTACLE IN QUESTION IS PROPERLY GROUNDED. IF YOU ARE NOT SURE HAVE A QUALIFIED ELECTRICIAN CHECK THE RECEPTACLE.**

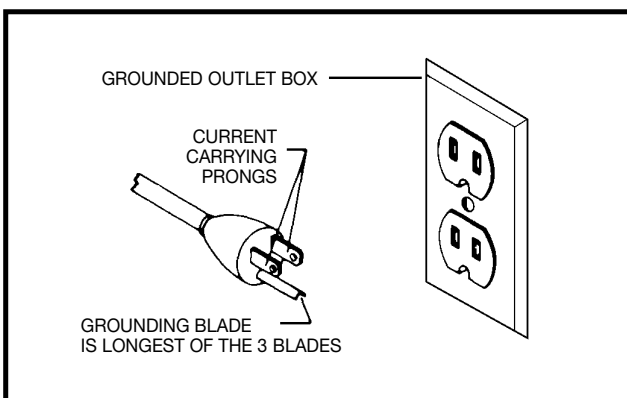


Fig. A

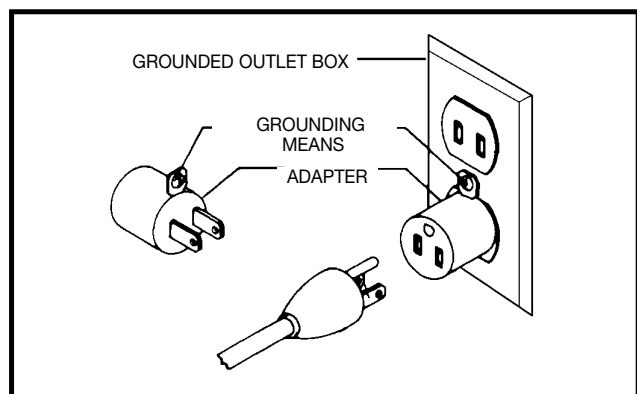


Fig. B

## EXTENSION CORDS

**⚠ WARNING** Use proper extension cords. Make sure your extension cord is in good condition and is a 3-wire extension cord which has a 3-prong grounding type plug and matching receptacle which will accept the machine's plug. When using an extension cord, be sure to use one heavy enough to carry the current of the machine. An undersized cord will cause a drop in line voltage, resulting in loss of power and overheating. Fig. C, shows the correct gauge to use depending on the cord length. If in doubt, use the next heavier gauge. The smaller the gauge number, the heavier the cord.

<b>MINIMUM GAUGE EXTENSION CORD</b>			
RECOMMENDED SIZES FOR USE WITH STATIONARY ELECTRIC MACHINES			
<b>Ampere Rating</b>	<b>Volts</b>	<b>Total Length of Cord in Feet</b>	<b>Gauge of Extension Cord</b>
0-6	120	up to 25	18 AWG
0-6	120	25-50	16 AWG
0-6	120	50-100	16 AWG
0-6	120	100-150	14 AWG
6-10	120	up to 25	18 AWG
6-10	120	25-50	16 AWG
6-10	120	50-100	14 AWG
6-10	120	100-150	12 AWG
10-12	120	up to 25	16 AWG
10-12	120	25-50	16 AWG
10-12	120	50-100	14 AWG
10-12	120	100-150	12 AWG
12-16	120	up to 25	14 AWG
12-16	120	25-50	12 AWG
12-16	120	GREATER THAN 50 FEET NOT RECOMMENDED	

Fig. C

## FUNCTIONAL DESCRIPTION

### FOREWORD

ShopMaster Model SM100M is a 10" Compound Power Miter Saw designed to cut wood, plastic, and aluminum. Compound angle and bevel cutting are easy and accurate. It can crosscut up to 5-3/4" x 2-3/8", miter at 45° both left and right up to 4-1/8" x 2-3/8", bevel at 45° left up to 5-7/8" x 1-9/16", and compound 45° x 45°, 4-1/8" x 1-9/16". It has positive miter stops at 0°, 22.5°, 31.62°, and 45° both left and right, and bevel stops at 0° and 45° adjustable. A dust bag is included to catch fine dust and wood chips.

**NOTICE:** The photo on the manual cover illustrates the current production model. All other illustrations contained in the manual are representative only and may not depict the actual color, labeling, or accessories, and are intended to illustrate technique only.

## CARTON CONTENTS

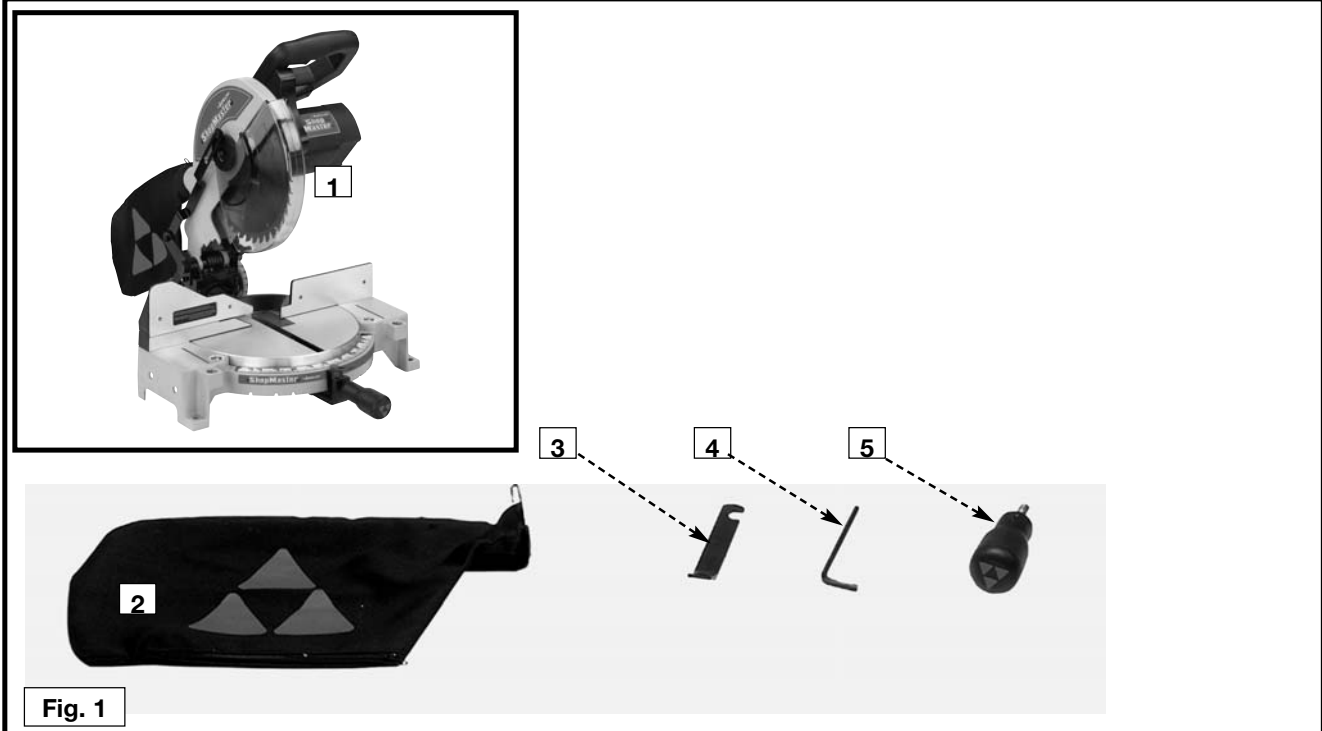


Fig. 1

Remove the miter saw and all loose items from the carton.

**CAUTION** Do not lift the miter saw by the switch handle. This action can cause misalignment. Always lift the machine by the base or the carrying handle.

1. Miter Saw
2. Dust Bag
3. 1/2" Blade Wrench
4. 5mm Hex Wrench
5. Table Lock Handle

## UNPACKING AND CLEANING

Carefully unpack the machine and all loose items from the shipping container(s). Remove the protective coating from all unpainted surfaces. This coating may be removed with a soft cloth moistened with kerosene (do not use acetone, gasoline or lacquer thinner for this purpose). After cleaning, cover the unpainted surfaces with a good quality household floor paste wax.

## ASSEMBLY

### ASSEMBLY TOOLS REQUIRED

(Supplied)

\* 5mm hex wrench

\* 1/2" Blade wrench

(Not supplied)

\* Phillips head screw driver

\* A square to make adjustments

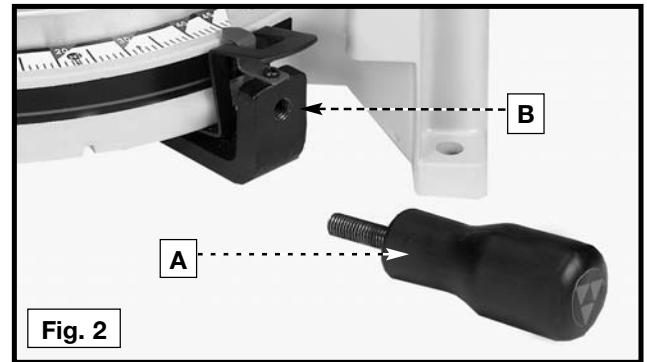


**⚠ WARNING** For your own safety, do not connect the machine to the power source until the machine is completely assembled and you read and understand the entire instruction manual.

**⚠ WARNING** DISCONNECT MACHINE FROM POWER SOURCE!

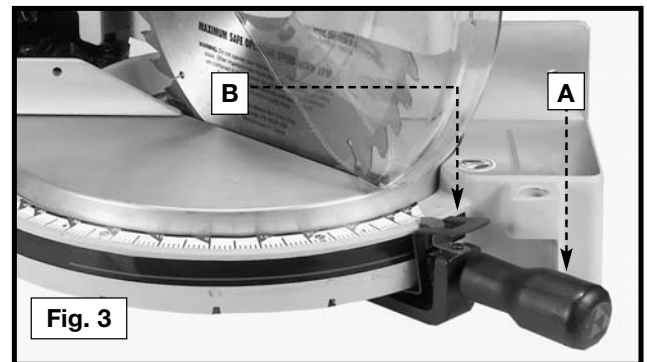
## ATTACHING THE TABLE LOCK HANDLE

Thread the table lock handle (A) Fig. 2 into the threaded hole (B) of the arm bracket.

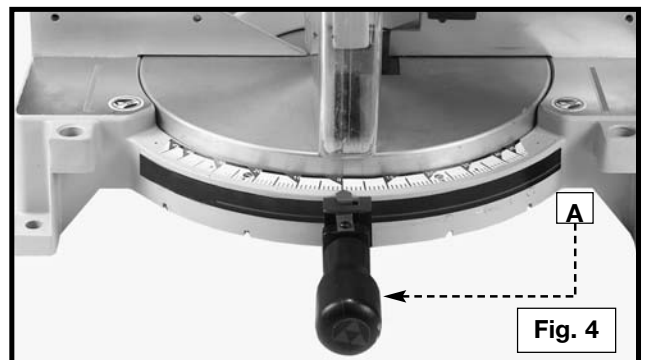


## ROTATING THE TABLE TO THE 90° DEGREE POSITION

1. Turn the table lock handle (A) Fig. 3 counter-clockwise one or two turns, and depress the index lever (B) to release the 45° positive stop.

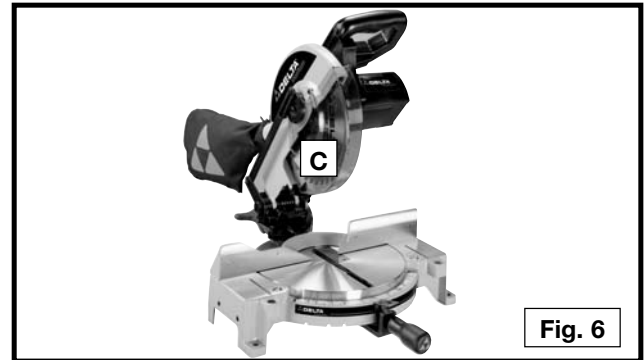
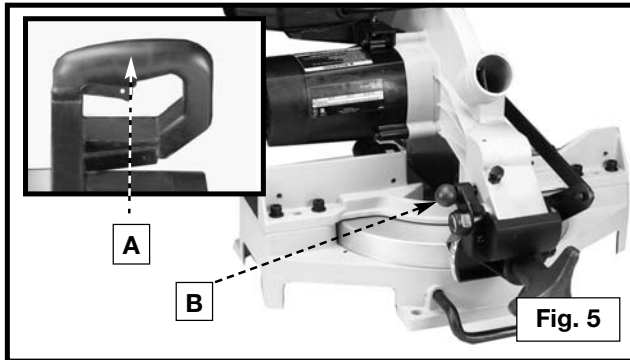


2. Rotate the table to the left until the index stop engages with the 90° positive stop (Fig. 4). Tighten the table lock handle (A).



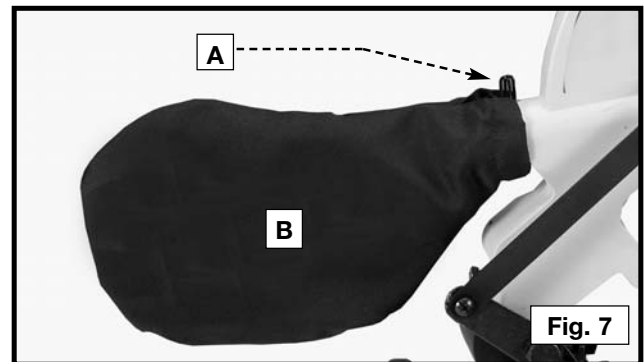
## MOVING CUTTINGHEAD TO THE UP POSITION

1. Push down on handle (A), Inset, Fig. 5. Pull out the cuttinghead lock knob (B).
2. Move the cuttinghead (C) to the up position (Fig. 6).



## ATTACHING THE DUST BAG

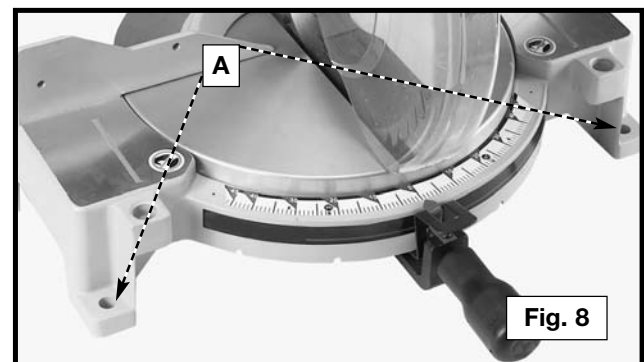
Squeeze the spring clips (A) Fig. 7 of the dust bag (B) and clip the dust bag (B) over the ribs of the dust chute.



## FASTENING THE MACHINE TO A SUPPORTING SURFACE

Before operating your compound miter saw, make sure that it is firmly mounted to a sturdy workbench or other supporting surface. Four holes are provided, two of which are shown at (A) Fig. 8.

When frequently moving the saw from place to place, mount the saw on a 3/4" piece of plywood, and clamp the plywood to a supporting surface with "C" clamps.

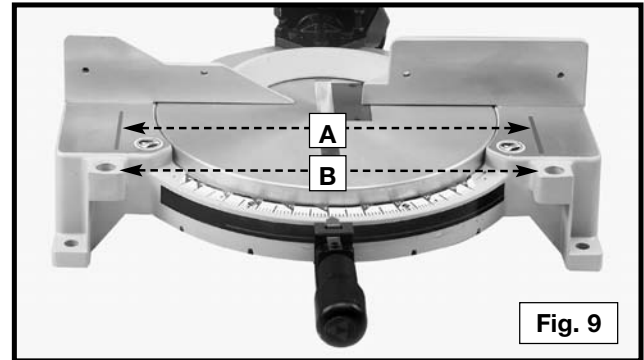


# OPERATION

## OPERATIONAL CONTROLS AND ADJUSTMENTS

### TABLE HAZARD AREA

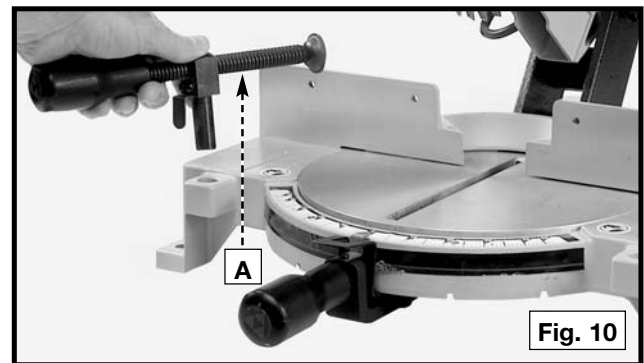
**▲ WARNING** The area inside the two red lines on the table (A) Fig. 9 is designated as a "HAZARD ZONE". Never place your hands inside this area while the machine is running. Maintain hands 6" from blade.



### USING THE OPTIONAL WORK CLAMP

1. An optional work clamp (A) Fig. 10 is available. Use this accessory clamp, especially with short workpieces. Never allow your hands to be in the "Hazard Zone".
2. Two holes (B) Fig. 9 are provided in the base of the miter saw, enabling you to use the clamp (A) Fig.10 on either the right or left hand side of the saw blade.

**▲ WARNING** Keep your hands out of path of saw blade. If necessary, clamp the workpiece in place before making the cut if hands would be within 6" of the blade.



### STARTING AND STOPPING THE MITER SAW

To start the miter saw, depress the switch trigger (A) Fig. 11 To stop the miter saw, release the switch trigger.

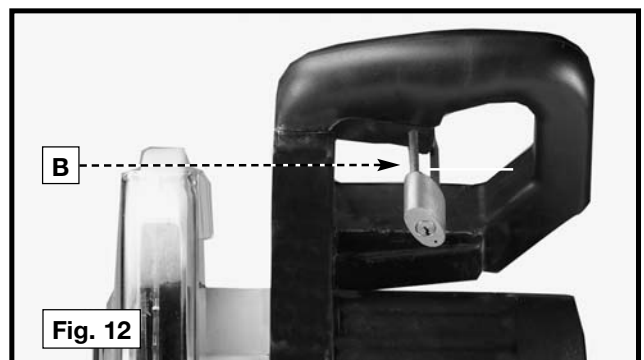
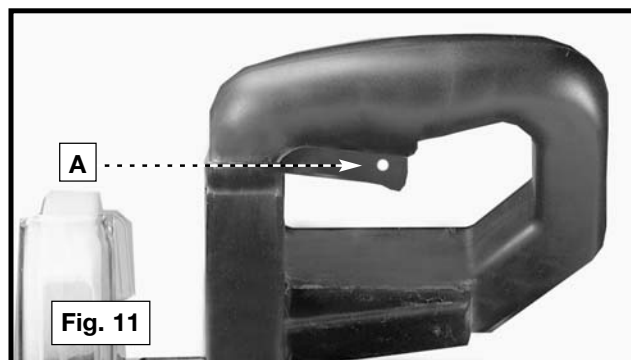
This saw is equipped with an automatic electric blade brake. As soon as the switch trigger (A) Fig. 11, is released, the electric brake is activated and stops the blade in seconds.

**▲ WARNING** A turning saw blade can be dangerous. After completing cut, release switch trigger (A) Fig. 11, to activate blade brake. Keep cuttinghead down until blade has come to a complete stop.

**▲ WARNING** The torque developed during braking may loosen the arbor screw (E) Fig. 45. The arbor screw should be checked periodically and tightened if necessary.

### LOCKING THE SWITCH IN THE "OFF" POSITION

**IMPORTANT:** When the miter saw is not in use, the switch should be locked in the "OFF" position using a padlock (B) Fig. 12, with a 3/16" diameter shackle to prevent unauthorized use of the saw.



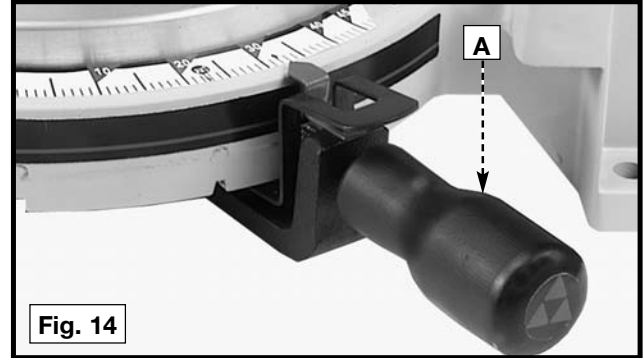
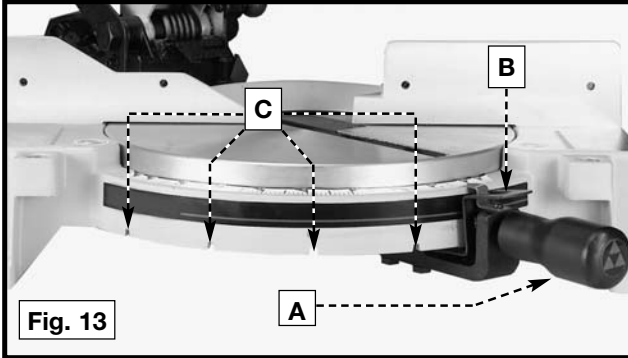
## ROTATING THE TABLE FOR MITER CUTTING

Your miter saw will cut any angle from a straight 90° cut to 47° right and left. Turn the lock handle (A) Fig. 13 counter-clockwise one or two turns, depress the index lever (B), and move the control arm to the desired angle. **Tighten the lock handle (A).**

The miter saw is equipped with positive stops at the 0°, 22.5°, 31.62°, and 45° right and left positions. Loosen the lock handle (A) Fig. 14 and move the control arm until the bottom of the index lever (B) engages into one of the positive stops, four of which are shown at (C). **Tighten the lock handle (A).** To disengage the positive stop, depress the index lever (B).

A triangle indicator (D) Fig. 15 is provided on the miter scale at the 31.62° right and left miter positions for cutting crown moulding. (Refer to the "CUTTING CROWN MOULDING" section of this manual).

**IMPORTANT: Always tighten the lock handle (A) Fig. 14 before cutting.**



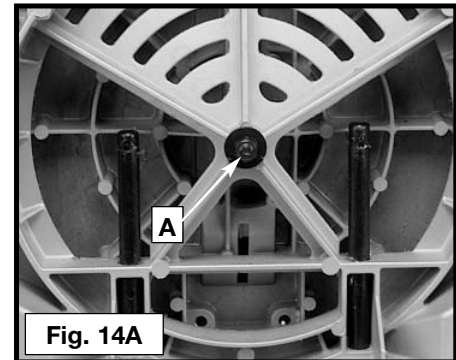
## ADJUSTING THE SLIDING FIT BETWEEN THE MOVABLE TABLE AND THE BASE

**⚠ WARNING** DISCONNECT THE MACHINE FROM THE POWER SOURCE .

To adjust the sliding fit between the movable table and the base, turn the nut (A) Fig. 14A clockwise to increase the sliding fit (opposite to decrease the fit). This adjustment should not be so tight that it restricts the rotating movement of the table, or so loose that it affects the accuracy of the saw.

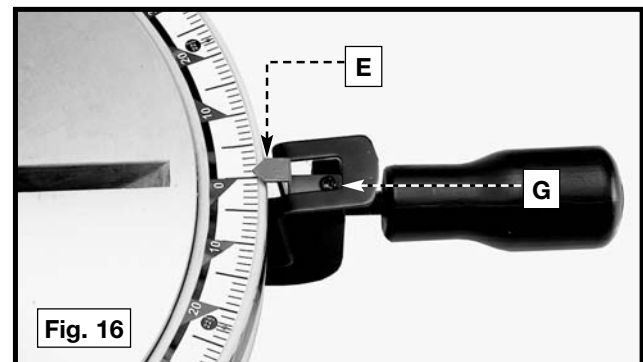
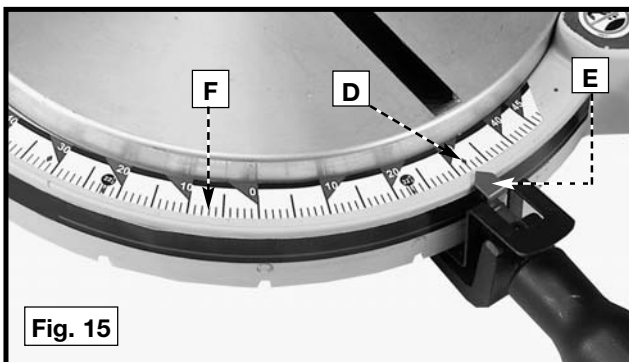
## POINTER AND SCALE

The pointer (E) Fig. 15 indicates the angle of cut. Each line on the scale (F) represents 1 degree. When you move the pointer from one line to the next on the scale, you change the angle of cut by 1 degree.



## ADJUSTING THE POINTER

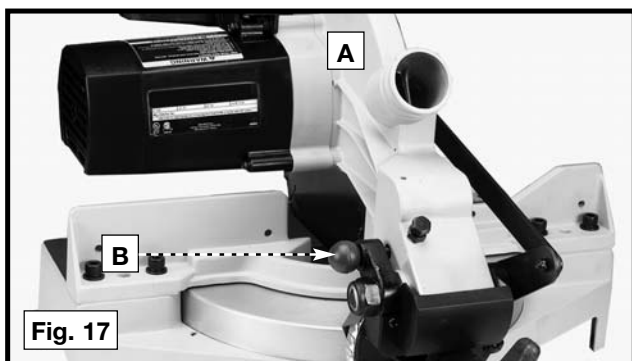
To adjust the pointer (E) Fig. 16, loosen the screw (G), adjust the pointer (E), and tighten the screw.



## LOCKING THE CUTTINGHEAD IN THE DOWN POSITION

To transport the saw, always lock the cuttinghead in the down position. Lower the cuttinghead (A) Fig. 17, and push the cuttinghead lock knob (B) into the hole in the cutting arm until it locks the cuttinghead.

**IMPORTANT: Carrying the machine by the switch handle will cause misalignment. Always lift the machine by the base or by the carrying handle (See Fig. 20).**



## TILTING THE CUTTINGHEAD FOR BEVEL CUTTING

**IMPORTANT:** Move the sliding fence to provide clearance for the blade and guard. The degree of tilt determines how far to move the sliding fence. Refer to the section “Adjusting Sliding Fence”.

You can tilt the cuttinghead of your compound miter saw to cut any bevel angle from a 90° straight cut off to a 45° left bevel angle. Loosen the bevel lock handle (A) Fig. 18, tilt the cutting arm (B) to the desired angle, and tighten the lock handle (A). Positive stops are provided to rapidly position the saw blade at 90° and 45° to the table. Refer to the section of this manual titled “**ADJUSTING 90° AND 45° BEVEL STOPS.**” The bevel angle of the cuttinghead is determined by the position of the pointer (C) Fig.18 on the scale (D).

A triangle indicator is provided on the bevel scale at the 33.86° bevel angle for cutting crown moulding. Refer to the “**CUTTING CROWN MOULDING**” section of this manual.

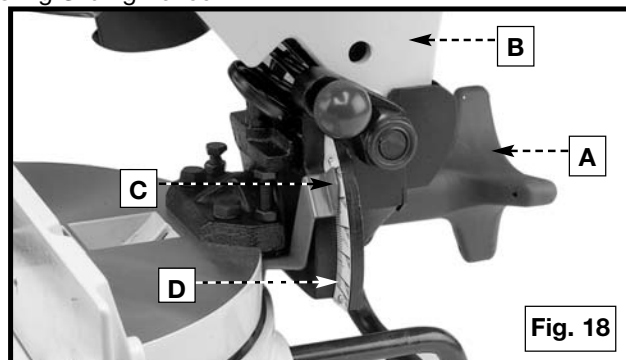


Fig. 18

## ADJUSTING SLIDING FENCE

The sliding fence (A) Fig. 18A provides support for extra large workpieces used with your saw. Set it as close as possible to the saw blade. When miter cutting (blade 90° to the table and at an angle to the right or left), set the fence all the way toward the blade (Fig. 18B). When bevel cutting, however (blade tilted at an angle to the table), move the fence (A) far enough away from the blade to allow for proper clearance. To reposition the fence, loosen the lock handle (B), and slide the fence (A) to the desired location. Tighten the lock handle (B).

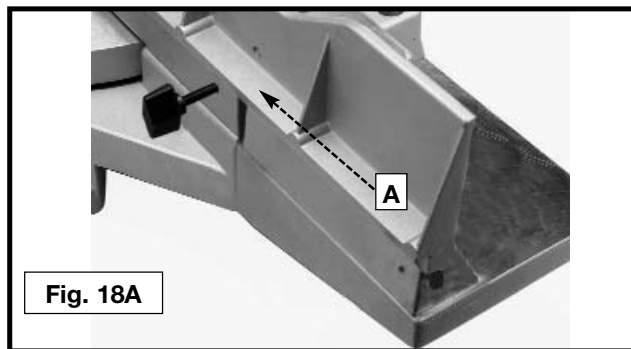


Fig. 18A

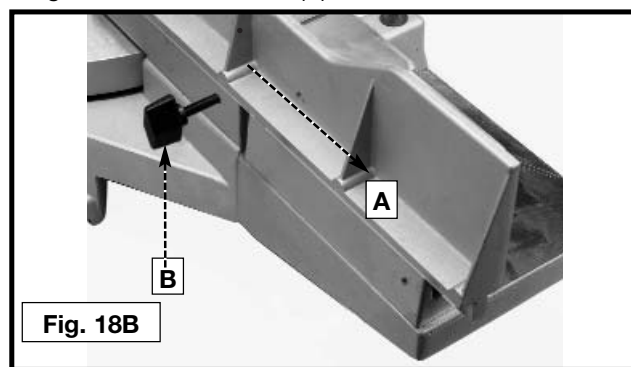


Fig. 18B

## REAR SUPPORT/CARRYING HANDLE

A rear support bar (A) Fig. 19 is provided to prevent the machine from tipping to the rear when the cuttinghead returns to the up position. For maximum support, pull the bar (A) out as far as possible. You can also use the support bar (A) Fig. 20 to carry the machine.



Fig. 19

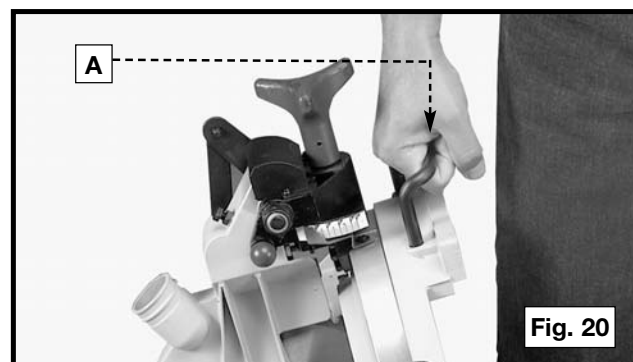


Fig. 20

## ADJUSTING THE BLADE PARALLEL TO THE TABLE SLOT

**⚠ WARNING** DISCONNECT MACHINE FROM POWER SOURCE!

1. Lower the cutting arm. The saw blade (A) Fig. 21 should be parallel to the left edge (B) of the table opening.
2. To adjust, loosen the three bolts (C) Fig. 21 and move the cutting arm until the blade is parallel with the left edge (B) of the table opening and centered in the slot. Tighten the three bolts (C).

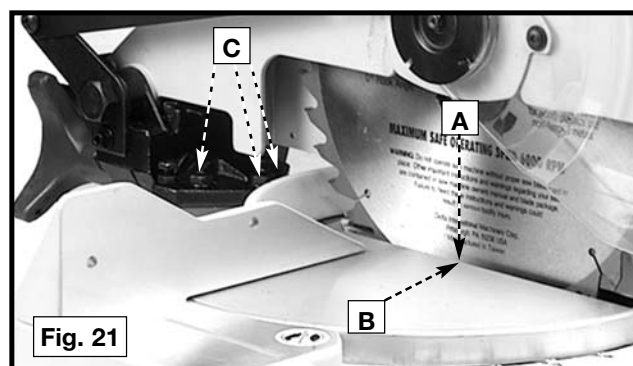


Fig. 21

## FENCE ADJUSTMENT

**⚠ WARNING DISCONNECT MACHINE FROM POWER SOURCE!**

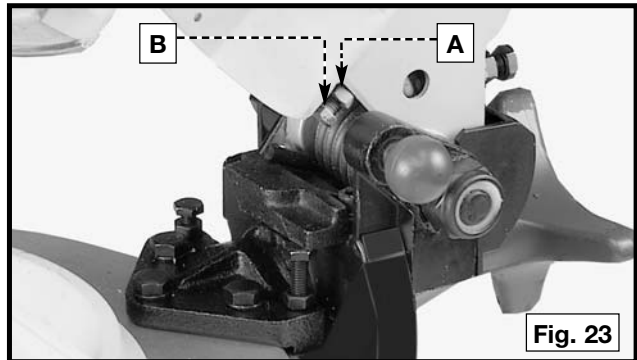
In order that the saw can bevel to a full 47 degrees left, the left side of the fence can be adjusted to the left to provide clearance. To adjust the fence, loosen the plastic knob shown in Figure 22 and slide the fence to the left. Make a dry run with the saw turned off and check for clearance. Adjust the fence to be as close to the blade as practical to provide maximum workpiece support, without interfering with arm up & down movement. Tighten knob securely. When the bevel operations are complete, don't forget to relocate the fence to the right. NOTE: The guide groove in the left side fence can become clogged with sawdust. If you notice that it is becoming clogged, use a stick or some low pressure air to clear the guide groove.



## ADJUSTING THE DOWNWARD TRAVEL OF THE SAW BLADE

**⚠ WARNING DISCONNECT MACHINE FROM POWER SOURCE!**

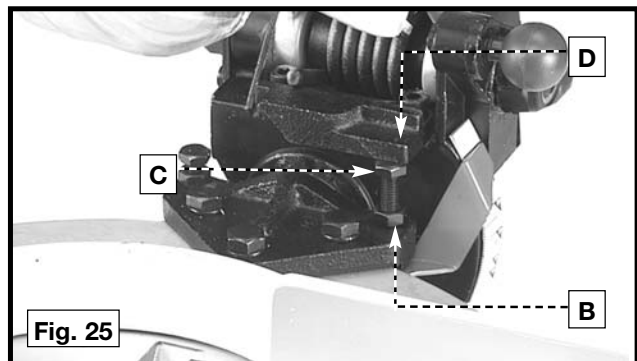
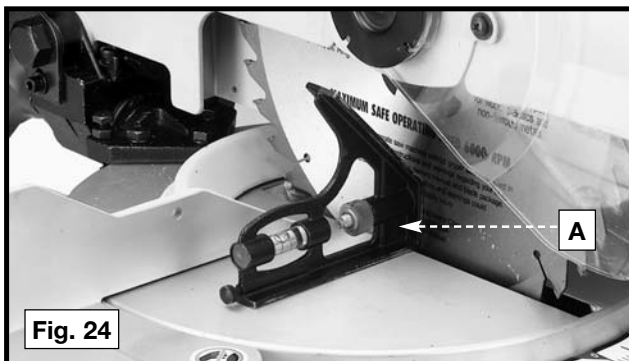
1. You can limit the downward travel of the saw blade to prevent it from contacting any metal surfaces of the machine. Make this adjustment by loosening the locknut (A) Fig. 23 and turning the adjusting screw (B) in or out.
2. Lower the blade as far as possible. Rotate the blade by hand to make certain the teeth do not contact any metal surfaces.
3. Tighten the locknut (A)



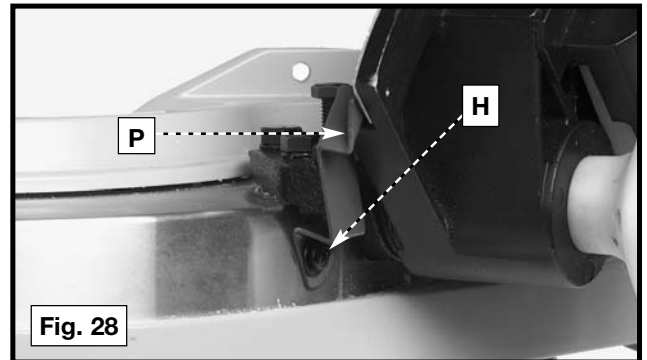
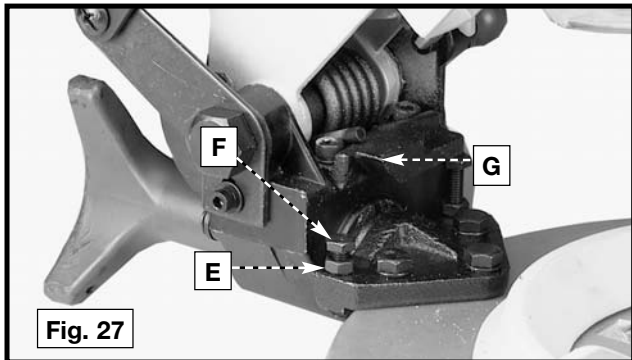
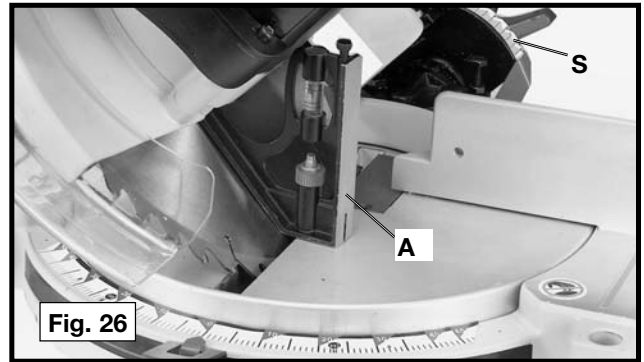
## ADJUSTING 90° AND 45° BEVEL STOPS

**⚠ WARNING DISCONNECT MACHINE FROM POWER SOURCE!**

1. Loosen the bevel lock handle (A) Fig. 18 and move the cutting arm (B) Fig. 19 all the way to the right. Tighten the bevel lock handle.
2. Place one end of a square (A) Fig. 24 on the table and the other end against the blade. Check to see if the blade is 90° to the table (Fig. 24).
3. To adjust, loosen the locknut (B) Fig. 25, and turn the screw (C) until the head of the screw (C) contacts the casting (D) when blade is 90° degrees to the table. Tighten the locknut (B).



4. Loosen the bevel lock handle. Move the cutting arm all the way to the left bevel position and tighten the bevel lock handle.
5. Use a combination square (A) Fig. 26 to see if the blade is at 45° to the table.
6. To adjust, loosen the locknut (E) Fig. 27, and turn the screw (F) until it contacts the casting (G). Tighten the locknut (E).
7. Check to see that the bevel pointer (P) Fig. 28 is pointing to the 45° mark on the bevel scale (S) Fig. 26. To adjust the bevel pointer (P) Fig. 28, loosen the screw (H) and adjust pointer (P). Tighten the screw (H) securely.
8. These positive stops enable you to rapidly position the blade at the 90° and 45° bevel angle to the table.

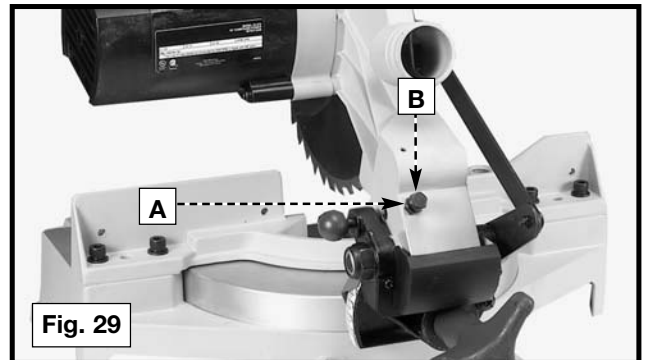


## ADJUSTING THE TENSION OF THE CUTTINGHEAD RETURN SPRING

**⚠ WARNING** CUTTING HEAD MUST RETURN QUICKLY TO THE UP POSITION. DISCONNECT MACHINE FROM POWER SOURCE.

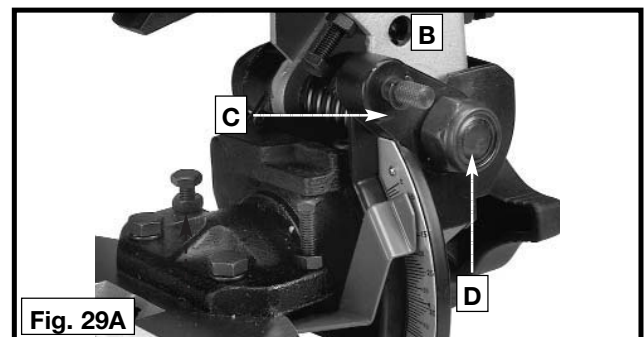
The tension of the cuttinghead return spring was adjusted at the factory so that the cuttinghead returns to the "up" position after cutting.

To adjust the spring tension, loosen the locknut (A) Fig. 29 and turn the screw (B) (clockwise to increase or counterclockwise to decrease the spring tension). After adjustment, tighten the locknut (A).



## ADJUSTING SLIDING FIT BETWEEN CUTTINGHEAD ARM AND TRUNNION

After a long period of time, an adjustment of the sliding fit between the cuttinghead arm (B) Fig. 29A, and the trunnion (C) may be necessary. To adjust, tighten the nut (D). This adjustment should not be so tight that it restricts the sliding movement of the cuttinghead arm (B) or so loose that it affects the accuracy of the saw cut.



## ADJUSTING THE LOWER BLADE GUARD

**⚠ WARNING** DISCONNECT THE MACHINE FROM POWER SOURCE.

This machine incorporates a blade guard (A) Fig. 29B to cover the rear section of the blade. After an extended period of use, the movable lower blade guard may not operate smoothly when the cuttinghead is lowered. This can be corrected by adjusting nut (B) until the lower blade guard moves freely.

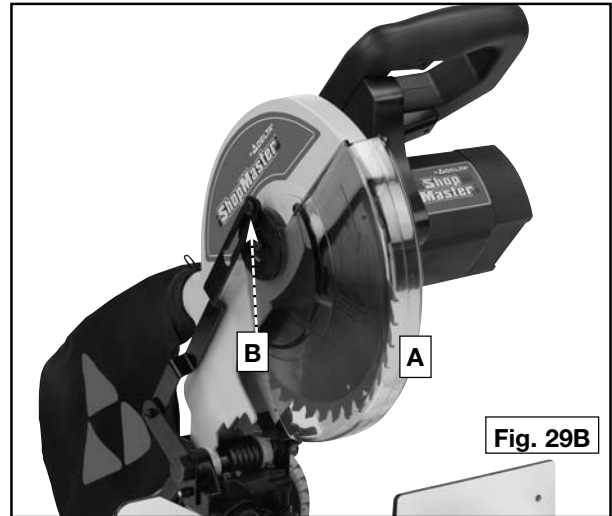
**⚠ WARNING** Overtightening the nut could impair guard movement.

**NOTE:** This unit has been designed with an articulating rear guard. Before contacting the workpiece, the rear guard will rotate upward to expose more of the blade as the cuttinghead is lowered.

**⚠ WARNING** DO NOT REMOVE ANY OF THE BLADE GUARDS.

**⚠ WARNING** Make sure that all guards are in place and functioning properly before operating the saw.

**⚠ WARNING** Make sure that the fences are clear of the guard and blade before operating the saw.



## MACHINE USE

### TYPICAL OPERATIONS AND HELPFUL HINTS

**⚠ WARNING** Cuttinghead must return quickly to the full up position. Sluggish or incomplete return of the cuttinghead will effect lower guard operation possibly resulting in personal injury.

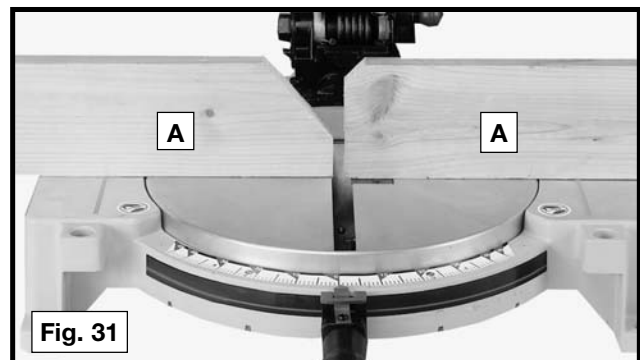
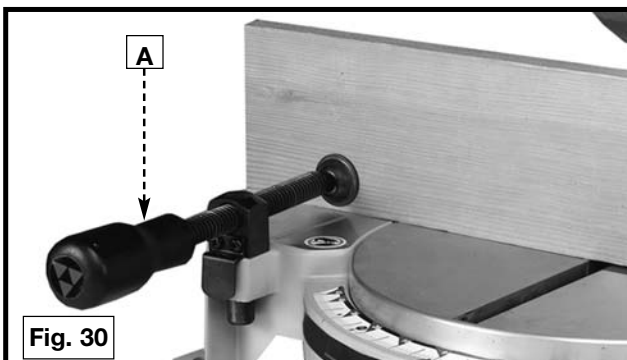
1. Before cutting, make certain that the cutting arm and table are at their correct settings and firmly locked in place.
2. Place the workpiece on the table and hold or clamp it firmly against the fence. The optional clamp (A) Fig. 30 can also be used on the right side of the machine.
3. **⚠ WARNING** If the position or size of the workpiece causes your hand to be in the "Hazard Zone", use the work clamp to secure the workpiece. Keep your hands out of the "Hazard Zone".
4. For best results, cut at a slow, even cutting rate.
5. Never attempt freehand cutting (wood that is not held firmly against the fence and table).

### AUXILIARY WOOD FENCE

**⚠ WARNING** When performing multiple or repetitive operations that result in small cut-off pieces (one inch or less), the saw blade can catch the cut-off pieces and project them out of the machine or into the blade guard and housing, causing damage or injury. To limit the risk, mount an auxiliary wood fence on your saw (Fig. 31).

Holes are provided in the fence to attach an auxiliary fence (A) Fig. 31. This auxiliary fence is constructed of straight wood approximately 1/2" thick by 3" high by 20" long.

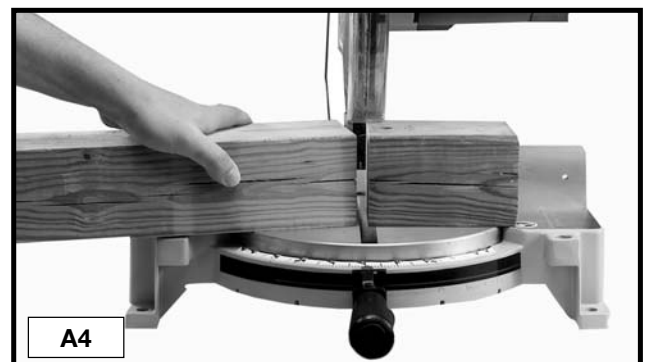
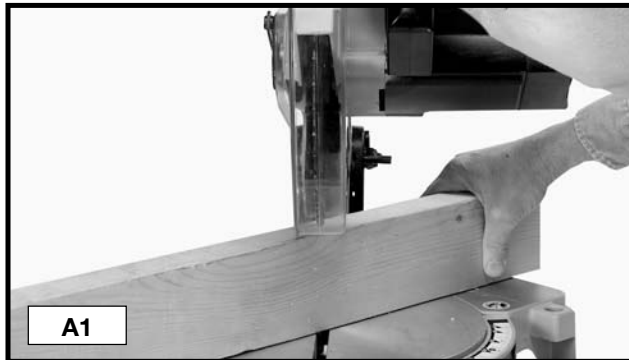
**NOTE:** The auxiliary fence (A) is used **ONLY** with the saw blade in the 0° bevel position (90° to the table). When you bevel cut (blade tilted), remove the auxiliary fence.





## GENERAL CUTTING OPERATIONS

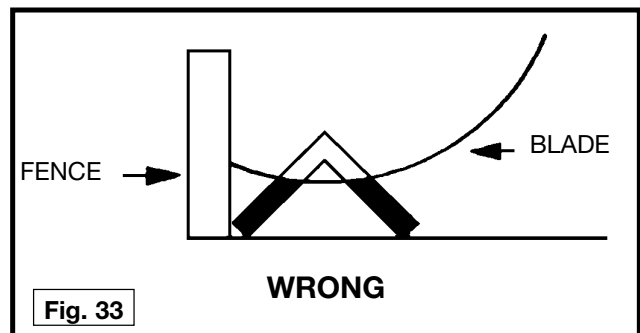
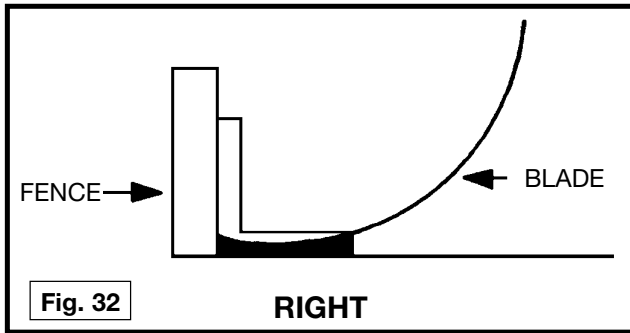
1. Your machine has the capacity to cut standard 2 x 4's, lying flat or on edge, at the 45° right and left miter angles (Fig. A1 & A2).
2. A standard 2 x 6 can be cut in the 90° straight cut-off position in one pass (Fig. A3).
3. Cutting a standard 4 x 4 can be accomplished with one pass (Fig. A4).
4. This machine has the capacity to accurately cut crown mouldings and other bevel-type cuts (Fig. A5).
5. Cutting various sizes of plastic pipe is an easy job with this machine (Fig. A6). Material must be **CLAMPED OR HELD FIRMLY TO THE FENCE** TO KEEP IT FROM ROLLING. This is extremely important when making angle cuts.



## CUTTING ALUMINUM

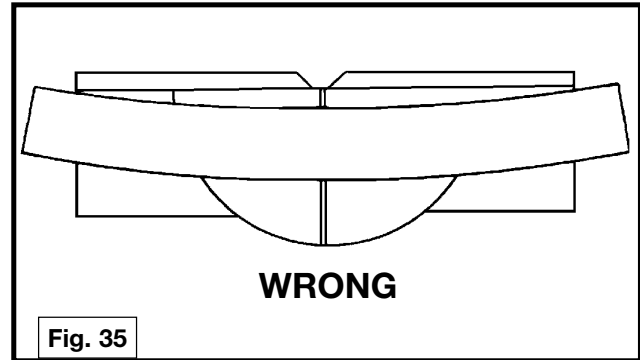
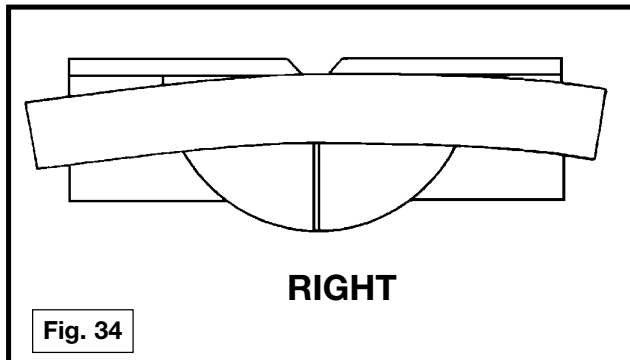
Aluminum extrusions such as used for making aluminum screens and storm windows can easily be cut with your compound miter saw. When cutting aluminum extrusions, or other sections that can be cut with a saw blade and are within the capacity of the machine, position the material so the blade is cutting through the smallest cross-section (Fig. 32). The wrong way to cut aluminum angles is illustrated in Fig. 33. Be sure to apply a stick wax to the blade before cutting aluminum stock. This stick wax is available at most industrial mill supply houses. The wax provides proper lubrication and keeps chips from adhering to the blade.

**⚠ WARNING NEVER APPLY LUBRICANT TO THE BLADE WHILE THE MACHINE IS RUNNING.**



### CUTTING BOWED MATERIAL

Check to see if your workpiece is bowed. If it is, make sure the material is positioned on the table as shown in Fig. 34. If the material is positioned the wrong way, as shown in Fig. 35, the workpiece will pinch the blade near the completion of the cut.

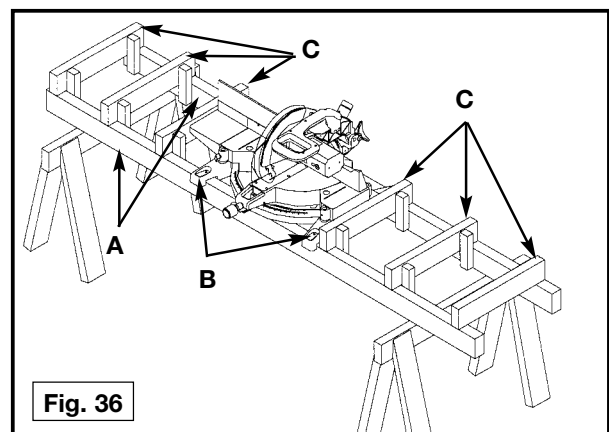


## WORK SUPPORT EXTENSIONS

For support when cutting long pieces, a work support extension can be constructed. Fig. 36 illustrates the miter saw mounted to two standard 2 x 4's (A). Fasten the four mounting legs (two of which are shown at (B)) Fig. 36 to the 2 x 4's, using four screws (not supplied) through the four holes in the mounting legs. The length of the 2 x 4's (A) can vary, depending on the kind of work that will need to be cut.

**NOTE: Ensure that the top of the support 2 x 4's (C) are level with the miter saw table.**

This is critical because the distance from the top of the 2 x 4's (A) to the miter saw table varies from saw to saw. In most cases, standard 2 x 4's (C) can be used. If these are too high, cut the 2 x 4's (C) to provide this height or use other properly-sized wood.



## CUTTING CROWN MOULDING

One of the many features of the saw is the ease of cutting crown moulding. The following is an example of cutting both inside and outside corners on **52°/38°** wall angle crown moulding.

1. Move the table to the 31.62° right miter position and lock the table in position. **NOTE:** A positive stop is provided to find this angle quickly.
2. Tilt the saw blade to the 33.86° left bevel position and tighten bevel lock handle. **NOTE:** A triangle indicator is provided on the bevel scale to find this angle quickly.
3. Place the crown moulding on the table with the **CEILING EDGE** of the moulding against the fence, and make the cut, as shown in Fig. 37.

**NOTE:** The piece of crown moulding used for the outside corner will always be on the right hand side of the blade, as shown at (A) Fig. 37. The piece of crown moulding used for the inside corner will always be on the left hand side of the blade, as shown at (B) Fig. 37.

4. To make the matching halves of the inside and outside corners, rotate the table to the 31.62° left miter position.

**NOTE:** A positive stop is provided to find this angle quickly. The saw blade is already tilted to the 33.86° left bevel position from the previous cut.

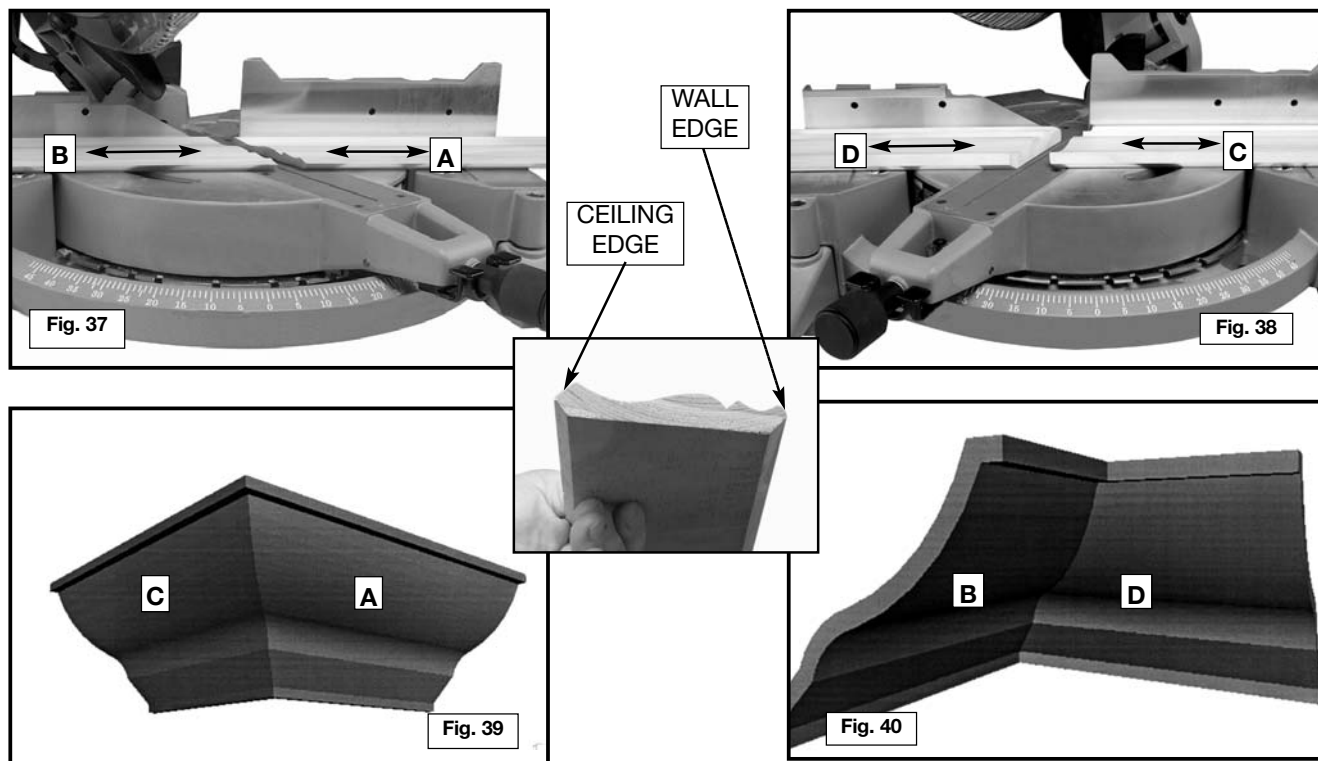
5. Place the crown moulding on the table with the **WALL EDGE** of the crown moulding against the fence and make the cut. Again, the piece of crown moulding used for the outside corner will always be on the right side of the blade, as shown at (C) Fig. 38. The piece of crown moulding used for the inside corner will always be on the left side of the blade, as shown at (D) Fig. 38.
6. Fig. 39 illustrates the two outside corner pieces; (A) being the piece cut at (A) Fig. 37 and (C) being the piece cut at (C) Fig. 38.
7. Fig. 40 illustrates the two inside corner pieces; (B) being the piece cut at (B) Fig. 37, and (D) being the piece cut at (D) Fig. 38.

## 45-45 CROWN MOULDING

**NOTE:** If you are cutting crown moulding that is **45°-45°**, follow the same procedure above, with the exception that the bevel position will always be at 30° and the miter position will be 35-1/4° to the right or left.

## OTHER ANGLES

**NOTE:** The above instructions are assuming the angle between the walls is 90°. If you need help cutting crown moulding set at angles other than 90°, see the instruction sheet "**CUTTING CROWN MOULDING**" on the Delta Machinery web site at [www.deltamachinery.com](http://www.deltamachinery.com).



# MAINTENANCE

## CHANGING THE BLADE

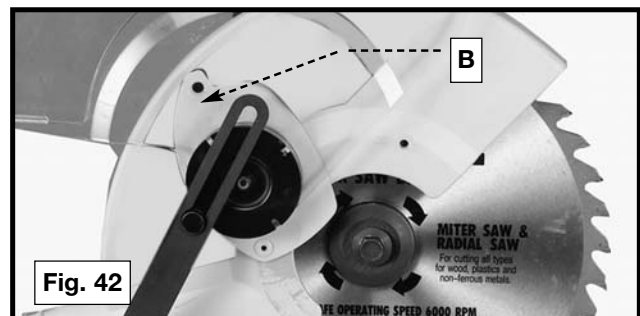
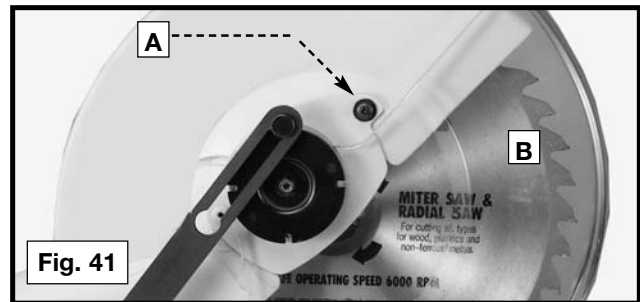
**⚠ WARNING** Use only cross-cutting saw blades.

**⚠ WARNING** When using carbide-tipped blades, do not use blades with deep gullets as they can deflect and contact the guard.

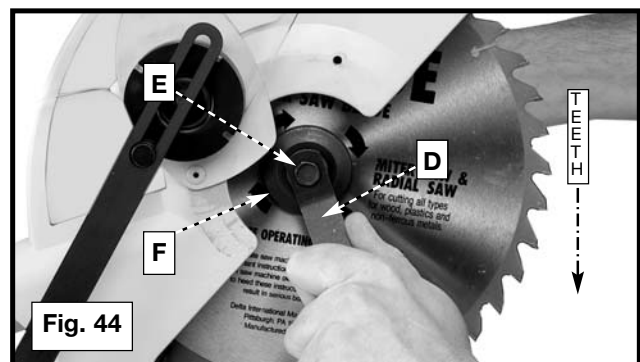
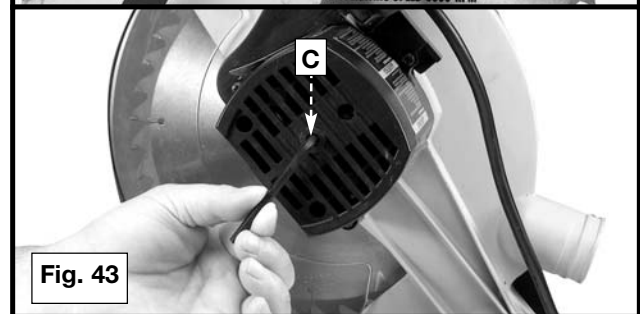
**⚠ WARNING** Use only 10" diameter saw blades which are rated for 5200 rpm or higher and have 5/8" diameter arbor holes.

**⚠ WARNING** DISCONNECT MACHINE FROM POWER SOURCE!

1. Remove screw (A) Fig. 41 and rotate cover (B) to the rear (Fig. 42).



2. To remove the saw blade, insert the hex wrench (C) Fig. 43 into the hex hole located on the rear end of the motor shaft to keep the shaft from turning.
3. Use a wrench (D) Fig. 44 to loosen the arbor screw (E) by turning it clockwise.
4. Remove the arbor screw (E) Fig. 44, the outside blade flange (B), and the saw blade from the saw arbor.
5. Attach the new saw blade **making certain that the teeth of the saw blade are pointing down (Fig. 44)**. Place the outside blade flange (F) on the arbor, and attach the arbor screw (E) by turning it counter-clockwise using the wrench (D). At the same time, use the hex wrench (C) Fig. 43 to keep the arbor from turning.
6. Rotate the cover back to the front and replace the screw that was removed in **STEP 1**.



**⚠ WARNING** Remove wrenches (C) Fig. 43 and (D) Fig. 44 before starting machine.

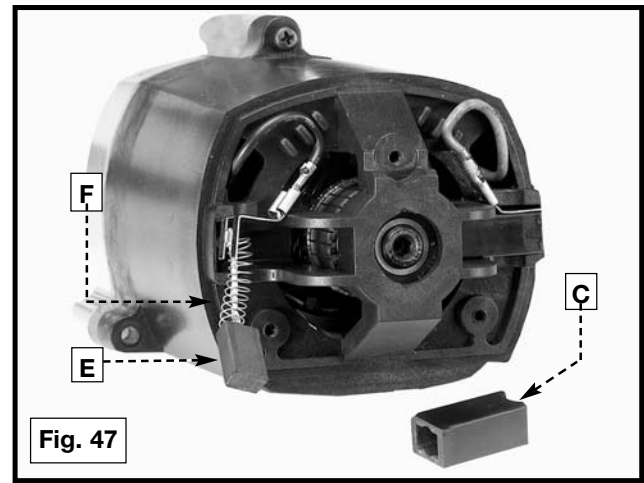
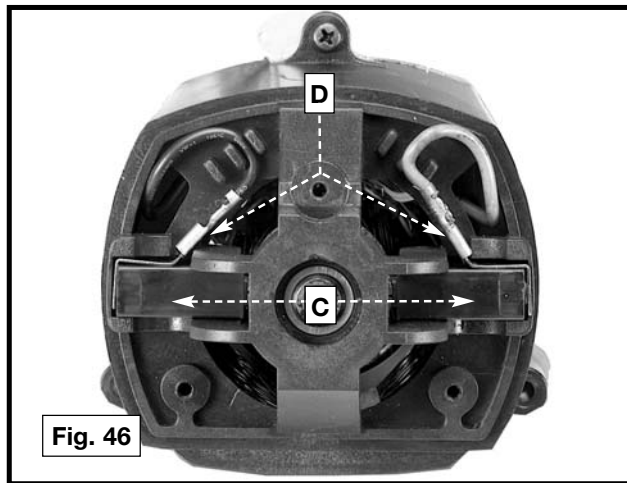
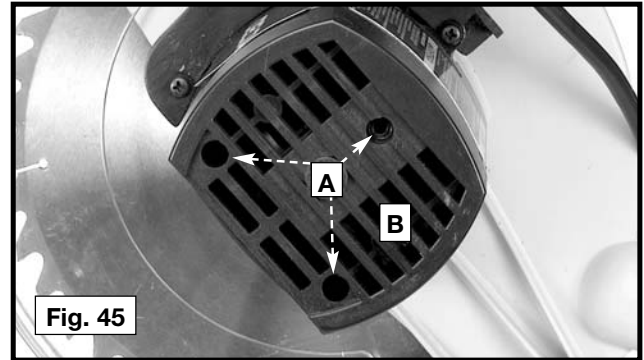
**⚠ WARNING** The cover must be returned to its original position and the screw tightened before activating the saw. Failure to do so may allow the guard to contact the spinning saw blade resulting in damage to the saw and severe personal injury.

## BRUSH INSPECTION AND REPLACEMENT

Brush life varies. It depends on the load on the motor. Check the brushes after the first 50 hours of use for a new machine or after a new set of brushes has been installed. After the first check, examine them after about 10 hours of use until a replacement is necessary. To inspect the brushes:

**⚠ WARNING** DISCONNECT MACHINE FROM POWER SOURCE!

1. Remove three screws (A) Fig. 45 and remove the motor cover (B).
2. The brushes are located in the two holders (C) Fig. 46. Remove spade type terminal connector (D) and pull out brush holders (C).
3. Fig. 47 illustrates one of the brushes (E) removed from the holder (C). When the carbon on either brush (E) is worn to 3/16" in length or if either spring (F) or shunt wire is burned or damaged in any way, replace both brushes. If the brushes are found to be serviceable after re-moving, reinstall them in the same position.



### KEEP THE MACHINE CLEAN

Periodically blow out all air passages with dry compressed air. All plastic parts should be cleaned with a soft damp cloth. NEVER use solvents to clean plastic parts. They could possibly dissolve or otherwise damage the material.

**▲ WARNING** Wear ANSI Z87.1 safety glasses while using compressed air.

### FAILURE TO START

Should your machine fail to start, check to make sure the prongs on the cord plug are making good contact in the outlet. Also, check for blown fuses or open circuit breakers in the line.

## TROUBLESHOOTING

### BE SURE TO FOLLOW SAFETY RULES AND INSTRUCTIONS

#### TROUBLE! SAW WILL NOT START

##### WHAT'S WRONG?

1. Saw not plugged in.
2. Fuse blown or circuit breaker tripped.
3. Cord damaged.
4. Brushes worn out.

##### WHAT TO DO...

1. Plug in saw.
2. Replace fuse or reset circuit breaker.
3. Have cord replaced by authorized service center.
4. Have brushes replaced by authorized service center.

#### TROUBLE! SAW MAKES UNSATISFACTORY CUTS

##### WHAT'S WRONG?

1. Dull blade.
2. Blade mounted backwards.
3. Gum or pitch on blade.
4. Incorrect blade for work being done.

##### WHAT TO DO...

1. Replace blade.
2. Turn blade around.
3. Remove blade and clean with turpentine.
4. Change the blade.

#### TROUBLE! BLADE DOES NOT COME UP TO SPEED

##### WHAT'S WRONG?

1. Extension cord too light or too long.
2. Low house current.

##### WHAT TO DO...

1. Replace with adequate size cord.
2. Contact your electric company.

**TROUBLE! MACHINE VIBRATES EXCESSIVELY**

**WHAT'S WRONG?**

- 1.Saw not mounted securely.
- 2.Stand or bench on uneven floor.
- 3.Damaged saw blade.

**WHAT TO DO...**

- 1.Tighten all mounting hardware.
- 2.Reposition on flat level surface.
- 3.Replace blade.

**TROUBLE! DOES NOT MAKE ACCURATE MITER CUTS**

**WHAT'S WRONG?**

- 1.Miter scale not adjusted correctly.
- 2.Blade is not square to fence.
- 3.Blade is not perpendicular to table.
- 4.Workpiece moving.

**WHAT TO DO...**

- 1.Check and adjust.
- 2.Check and adjust.
- 3.Check and adjust fence.
- 4.Clamp workpiece to fence or glue 120 grit sandpaper to fence with rubber cement.

**TROUBLE! MATERIAL PINCHES BLADE**

**WHAT'S WRONG?**

- 1.Cutting bowed material.

**WHAT TO DO...**

- 1.Position bowed material as shown in Figure 36.

## SERVICE



## PARTS, SERVICE OR WARRANTY ASSISTANCE

All Delta Machines and accessories are manufactured to high quality standards and are serviced by a network of Porter-Cable · Delta Factory Service Centers and Delta Authorized Service Stations. To obtain additional information regarding your Delta quality product or to obtain parts, service, warranty assistance, or the location of the nearest service outlet, please call 1-800-223-7278 (In Canada call 1-800-463-3582).

## ACCESSORIES

A complete line of accessories is available from your Delta Supplier, Porter-Cable · Delta Factory Service Centers, and Delta Authorized Service Stations. Please visit our Web Site [www.deltamachinery.com](http://www.deltamachinery.com) for a catalog or for the name of your nearest supplier.

**⚠ WARNING** Since accessories other than those offered by Delta have not been tested with this product, use of such accessories could be hazardous. For safest operation, only Delta recommended accessories should be used with this product.

## WARRANTY



### Two Year Limited New Product Warranty

Delta will repair or replace, at its expense and at its option, any new Delta machine, machine part, or machine accessory which in normal use has proven to be defective in workmanship or material, provided that the customer returns the product prepaid to a Delta factory service center or authorized service station with proof of purchase of the product within two years and provides Delta with reasonable opportunity to verify the alleged defect by inspection. For all refurbished Delta product, the warranty period is 180 days. Delta may require that electric motors be returned prepaid to a motor manufacturer's authorized station for inspection and repair or replacement. Delta will not be responsible for any asserted defect which has resulted from normal wear, misuse, abuse or repair or alteration made or specifically authorized by anyone other than an authorized Delta service facility or representative. Under no circumstances will Delta be liable for incidental or consequential damages resulting from defective products. This warranty is Delta's sole warranty and sets forth the customer's exclusive remedy, with respect to defective products; all other warranties, express or implied, whether of merchantability, fitness for purpose, or otherwise, are expressly disclaimed by Delta.

# Sierra de Ingletes Compuesta Motorizada de 254 mm (Modelo SM100M)



90513776 1-07  
Copyright © 2007 Delta Machinery



Para obtener más información sobre Delta Machinery,  
visite nuestro sitio web en: [www.deltamachinery.com](http://www.deltamachinery.com)

Para las piezas, el servicio, la garantía o la otra ayuda llaman por favor **1-800-223-7278**  
(en la llamada **1-800-463-3582** de Canada).

# INSTRUCCIONES DE SEGURIDAD IMPORTANTES

**▲ ADVERTENCIA** Lea y entienda todas advertencias y las instrucciones operadoras antes de utilizar cualquier instrumento o el equipo. Cuando se usa instrumentos o equipo, las precauciones básicas de la seguridad siempre se deben seguir para reducir el riesgo de la herida personal. La operación impropia, la conservación o la modificación de instrumentos o equipo podrían tener como resultado el daño grave de la herida y la propiedad. Hay ciertas aplicaciones para que equipas con herramienta y el equipo se diseña. La Delta Machinery recomienda totalmente que este producto no sea modificado y/o utilizado para ninguna aplicación de otra manera que para que se diseñó. Si usted tiene cualquiera pregunta el pariente a su aplicación no utiliza el producto hasta que usted haya escrito Delta Machinery y nosotros lo hemos aconsejado.

La forma en línea del contacto en [www.deltamachinery.com](http://www.deltamachinery.com)

El Correo Postal: Technical Service Manager

Delta Machinery

4825 Highway 45 North

Jackson, TN 38305

**(IN CANADA: 125 Mural St. Suite 300, Richmond Hill, ON, L4B 1M4)**

Información con respecto a la operación segura y apropiada de este instrumento está disponible de las fuentes siguientes:

Power Tool Institute (Instituto de Herramientas Eléctricas)

1300 Sumner Avenue, Cleveland, OH 44115-2851

[www.powertoolinstitute.org](http://www.powertoolinstitute.org)

Consejo Nacional de Seguridad (National Safety Council)

1121 Spring Lake Drive, Itasca, IL 60143-3201

American National Standards Institute, 25 West 43rd Street, 4 floor, New York, NY 10036 [www.ansi.org](http://www.ansi.org)

Requisitos de Seguridad ANSI 01.1 para las máquinas de carpintería y

normas del Departamento del Trabajo de los Estados Unidos [www.osha.gov](http://www.osha.gov)

**GUARDE ESTAS INSTRUCCIONES!**



# PAUTAS DE SEGURIDAD/DEFINICIONES

Es importante que lea y comprenda este manual. La información que contiene se relaciona con la protección de SU SEGURIDAD y la PREVENCIÓN DE PROBLEMAS. Los símbolos que siguen se utilizan para ayudarlo a reconocer esta información.



- ▲ PELIGRO** indica una situación de peligro inminente que, si no se evita, provocará la muerte o lesiones graves.
- ▲ ADVERTENCIA** indica una situación de peligro potencial que, si no se evita, provocará la muerte o lesiones graves.
- ▲ PRECAUCIÓN** indica una situación de peligro potencial que, si no se evita, provocará lesiones leves o moderadas.
- PRECAUCIÓN** utilizado sin el símbolo de alerta de seguridad indica una situación de peligro potencial que, si no se evita, puede provocar daños en la propiedad.

## LA PROPUESTA 65 DE CALIFORNIA

**▲ ADVERTENCIA** Algunas partículas originadas al lijar, aserrar, amolar, taladrar y realizar otras actividades de construcción contienen productos químicos que producen cáncer, defectos de nacimiento y otros problemas reproductivos. Algunos ejemplos de estos productos químicos son:

- el plomo de las pinturas a base de plomo;
- la sílice cristalina de ladrillos, el cemento y otros productos de mampostería; y
- el arsénico y el cromo de la madera con tratamiento químico (CCA).

El riesgo derivado de estas exposiciones varía según la frecuencia con la que se realice este tipo de trabajo. Para reducir la exposición a estos productos químicos: se recomienda trabajar en áreas bien ventiladas y usar equipos de seguridad aprobados, como las máscaras para polvo especialmente diseñadas para filtrar las partículas microscópicas.

- Evite el contacto prolongado con las partículas de polvo originadas al lijar, aserrar, esmerilar, taladrar y realizar demás actividades de la construcción. Use indumentaria protectora y lave las áreas expuestas con agua y jabón. Evite que el polvo entre en la boca y en los ojos o se deposite en la piel, para impedir la absorción de productos químicos nocivos.

**El uso de esta herramienta puede generar o dispersar partículas de polvo, que pueden causar lesiones respiratorias permanentes y graves u otras lesiones.** Use siempre protección respiratoria aprobada por NIOSH/OSHA (Instituto Nacional de Salud y Seguridad Ocupacional de los EE.UU./Administración de la Salud y Seguridad Ocupacional de los EE.UU.) apropiada para la exposición al polvo. Aleje la cara y el cuerpo del contacto con las partículas.

**Utilice la protección auditiva apropiada durante el uso.** En determinadas condiciones y según el período de uso, el ruido provocado por este producto puede originar pérdida de audición.

**▲ ADVERTENCIA** NO EXPONGA A LA LLUVIA NI LA UTILICE EN LUGARES HÚMEDOS.



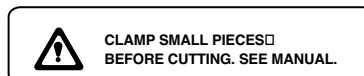
Para su comodidad y seguridad, la herramienta incluye las siguientes etiquetas de advertencia.

### EN LA CAJA DEL MOTOR:

**ADVERTENCIA: POR SU PROPIA SEGURIDAD, LEA EL MANUAL DE INSTRUCCIONES ANTES DE OPERAR LA SIERRA. AL REPARAR, SÓLO UTILICE PIEZAS DE REPUESTO IDÉNTICAS. SIEMPRE UTILICE PROTECCIÓN PARA LOS OJOS.**

### EN LA GUÍA:

**AJUSTE LAS PIEZAS PEQUEÑAS ANTES DE CORTAR. CONSULTE EL MANUAL.**



### EN LA TABLA (2 LUGARES)

**EN LA GUARDA: PELIGRO – MANTÉNGASE ALEJADO DE LA HOJA.**



**EN LA PLACA DE RETENCIÓN DE LA GUARDA: “SUJETE EL SOPORTE CORRECTAMENTE CON AMBOS TORNILLOS ANTES DE USAR”**

**EN LA PLACA DE RETENCIÓN DEL PROTECTOR:** PARA REDUCIR EL RIESGO DE LESIONES, LEA EL MANUAL DE INSTRUCCIONES ANTES DE OPERAR LA SIERRA INGLETADORA. AL REALIZAR EL MANTENIMIENTO, SÓLO UTILICE PIEZAS DE REPUESTO IDÉNTICAS. NO EXPONGA A LA LLUVIA NI UTILICE EN LUGARES HÚMEDOS. SIEMPRE UTILICE PROTECCIÓN ADECUADA PARA LOS OJOS Y VÍAS RESPIRATORIAS. UTILICE ÚNICAMENTE HOJAS DE SIERRA DE 10” RECOMENDADAS PARA 5.200 RPM O MÁS, CON EJE DE 5/8”. MANTENGA LAS MANOS ALEJADAS DEL TRAYECTO DE LA HOJA DE LA SIERRA. NO OPERE LA SIERRA SI LOS PROTECTORES NO ESTÁN ADECUADAMENTE INSTALADOS. VERIFIQUE QUE EL PROTECTOR INFERIOR CIERRE CORRECTAMENTE ANTES DE CADA USO. AJUSTE SIEMPRE LAS PERILLAS DE REGULACIÓN ANTES DE UTILIZAR LA HERRAMIENTA. NO REALICE NINGUNA OPERACIÓN SIN MANOS. NUNCA SE ESTIRE PARA ALCANZAR ALGO DETRÁS DE LA HOJA DE LA SIERRA. NUNCA CRUCE LOS BRAZOS FRENTE A LA HOJA. APAGUE LA HERRAMIENTA Y AGUARDE HASTA QUE LA HOJA DE LA SIERRA SE DETENGA ANTES DE MOVER LA PIEZA DE TRABAJO, CAMBIAR LOS AJUSTES O MOVER LAS MANOS. DESCONECTE LA ENERGÍA ANTES DE CAMBIAR LA HOJA O REALIZAR EL MANTENIMIENTO. PARA REDUCIR EL RIESGO DE LESIONES, REGRESE EL MECANISMO DE TRANSPORTE A LA POSICIÓN POSTERIOR DESPUÉS DE CADA CORTE TRANSVERSAL. ¡PRESTE ATENCIÓN! PUEDE EVITAR ACCIDENTES.

# NORMAS GENERALES DE SEGURIDAD



**⚠ ADVERTENCIA** LEA Y COMPRENDA TODAS LAS ADVERTENCIAS Y LAS INSTRUCCIONES DE OPERACIÓN ANTES DE UTILIZAR ESTE EQUIPO. El incumplimiento de cualquiera de las instrucciones enumeradas abajo puede provocar descarga eléctrica, incendio o lesiones personales graves o daños a la propiedad.

## INSTRUCCIONES IMPORTANTES SOBRE SEGURIDAD

- 1. PARA SU PROPIA SEGURIDAD, LEA EL MANUAL DE INSTRUCCIONES ANTES DE UTILIZAR LA MÁQUINA.** Al aprender la aplicación, las limitaciones y los peligros específicos de la máquina, se minimizará enormemente la posibilidad de accidentes y lesiones.
- 2. USE PROTECCIÓN DE LOS OJOS Y DE LA AUDICIÓN. USE SIEMPRE ANTEOJOS DE SEGURIDAD.** Los lentes de uso diario NO son anteojos de seguridad. USE EQUIPO DE SEGURIDAD CERTIFICADO. El equipo de protección de los ojos debe cumplir con las normas ANSI Z87.1. El equipo de protección de la audición debe cumplir con las normas ANSI S3.19.
- 3. USE INDUMENTARIA ADECUADA.** No use ropa holgada, guantes, corbatas, anillos, pulseras u otras joyas que podrían engancharse en las piezas móviles. Se recomienda usar calzado antideslizante. Use una cubierta protectora del pelo para sujetar el pelo largo.
- 4. NO UTILICE LA MÁQUINA EN UN ENTORNO PELIGROSO.** La utilización de herramientas mecánicas en lugares húmedos o mojados, o en la lluvia, puede causar descargas eléctricas o electrocución. Mantenga bien iluminada el área de trabajo para evitar tropezar o poner en peligro los brazos, las manos y los dedos.
- 5. MANTENGA TODAS LAS HERRAMIENTAS Y MÁQUINAS EN CONDICIONES ÓPTIMAS.** Mantenga las herramientas afiladas y limpias para lograr el mejor y más seguro rendimiento. Siga las instrucciones de lubricación y cambio de accesorios. Las herramientas y las máquinas mal mantenidas pueden dañar más la herramienta o la máquina y/o causar lesiones.
- 6. COMPRUEBE SI HAY PIEZAS DAÑADAS.** Antes de utilizar la máquina, compruebe si hay piezas dañadas. Compruebe la alineación de las piezas móviles, si las piezas móviles se atascan, si hay piezas rotas y toda otra situación que podría afectar su funcionamiento. Un protector o cualquier otra pieza que presente daños debe repararse o reemplazarse apropiadamente. Las piezas dañadas pueden causar daños adicionales a la máquina y/o lesiones.
- 7. MANTENGA LIMPIA EL ÁREA DE TRABAJO.** Las áreas y los bancos desordenados invitan a que se produzcan accidentes.
- 8. MANTENGA ALEJADOS A LOS NIÑOS Y A LOS VISITANTES.** El taller es un entorno potencialmente peligroso. Los niños y los visitantes pueden sufrir lesiones.
- 9. REDUZCA EL RIESGO DE UN ARRANQUE NO INTENCIONADO.** Asegúrese de que el interruptor esté en la posición de apagado antes de enchufar el cable de alimentación. En caso de un apagón, mueva el interruptor a la posición de apagado. Un arranque accidental podría causar lesiones.
- 10. UTILICE LOS PROTECTORES.** Asegúrese de que todos los protectores estén colocados en su sitio, sujetos firmemente y funcionando correctamente para prevenir lesiones.
- 11. quite las llaves de ajuste y de tuerca antes de arrancar la máquina.** Las herramientas, los pedazos de desecho y otros residuos pueden salir despedidos a alta velocidad, causando lesiones.
- 12. UTILICE LA MÁQUINA ADECUADA.** No fuerce una máquina o un aditamento a hacer un trabajo para el que no se diseñó. El resultado podría ser daños a la máquina y/o lesiones.
- 13. UTILICE ACCESORIOS RECOMENDADOS.** La utilización de accesorios y aditamentos no recomendados por Delta podría causar daños a la máquina o lesiones al usuario.
- 14. UTILICE EL CORDÓN DE EXTENSIÓN ADECUADO.** Asegúrese de que el cordón de extensión esté en buenas condiciones. Cuando utilice un cordón de extensión, asegúrese de utilizar un cordón que sea lo suficientemente pesado como para llevar la corriente que su producto tome. Un cordón de tamaño insuficiente causará una caída de la tensión de la línea, lo cual producirá una pérdida de potencia y recalentamiento. Consulte el Cuadro de cordones de extensión para obtener el tamaño correcto dependiendo de la longitud del cordón y la capacidad nominal en amperios indicada en la placa de especificaciones. En caso de duda, utilice el próximo calibre más grueso. Cuanto más pequeño sea el número de calibre, más pesado será el cordón.
- 15. SUJETE FIRMEMENTE LA PIEZA DE TRABAJO.** Utilice abrazaderas o un tornillo de carpintero para sujetar la pieza de trabajo cuando resulte práctico. La pérdida de control de una pieza de trabajo puede causar lesiones.
- 16. HAGA AVANZAR LA PIEZA DE TRABAJO CONTRA EL SENTIDO DE ROTACIÓN DE LA HOJA, EL CORTADOR O LA SUPERFICIE ABRASIVA.** Si la hace avanzar desde el otro sentido, el resultado será que la pieza de trabajo salga despedida a alta velocidad.
- 17. NO FUERCE LA PIEZA DE TRABAJO SOBRE LA MÁQUINA.** El resultado podría ser daños a la máquina y/o lesiones.
- 18. NO INTENTE ALCANZAR DEMASIADO LEJOS.** Una pérdida del equilibrio puede hacerle caer en una máquina en funcionamiento, causándole lesiones.
- 19. NO SE SUBA NUNCA A LA MÁQUINA.** Se podrían producir lesiones si la herramienta se inclina o si usted hace contacto accidentalmente con la herramienta de corte.
- 20. NO DEJE NUNCA DESATENDIDA LA MÁQUINA CUANDO ESTÉ EN MARCHA. APÁGUELA.** No deje la máquina hasta que ésta se detenga por completo. Un niño o un visitante podría resultar lesionado.
- 21. APAGUE LA MÁQUINA Y DESCONÉCTELA DE LA FUENTE DE ALIMENTACIÓN** antes de instalar o quitar accesorios, antes de ajustar o cambiar configuraciones o al realizar reparaciones. Un arranque accidental puede causar lesiones.
- 22. HAGA SU TALLER A PRUEBA DE NIÑOS CON CANDADOS E INTERRUPTORES MAESTROS O QUITANDO LAS LLAVES DE ARRANQUE.** El arranque accidental de una máquina por un niño o un visitante podría causar lesiones.
- 23. MANTÉNGASE ALERTA, FÍJESE EN LO QUE ESTÁ HACIENDO Y USE EL SENTIDO COMÚN. NO UTILICE LA MÁQUINA CUANDO ESTÉ CANSADO O BAJO LA INFLUENCIA DE DROGAS, ALCOHOL O MEDICAMENTOS.** Un momento de distracción mientras se estén utilizando herramientas mecánicas podría causar lesiones.
- 24. EL POLVO GENERADO** por determinadas maderas y productos para madera puede ser perjudicial para su salud. Siempre opere la máquina en áreas con buena ventilación y encárguese de eliminar el polvo adecuadamente. Utilice un sistema de recolección de polvo, cuando esto sea posible.

# NORMAS ESPECÍFICAS ADICIONALES DE SEGURIDAD

## ⚠ ADVERTENCIA



**LEA Y COMPRENDA TODAS LAS ADVERTENCIAS Y LAS INSTRUCCIONES DE OPERACIÓN ANTES DE UTILIZAR ESTE EQUIPO.** El incumplimiento de cualquiera de las instrucciones enumeradas abajo puede provocar descarga eléctrica, incendio o lesiones personales graves o daños a la propiedad.

- NO UTILICE ESTA MÁQUINA HASTA QUE** esté montada e instalada de acuerdo con las instrucciones.
- OBTENGA ASESORAMIENTO** de su supervisor, instructor u otra persona calificada si no está familiarizado con la utilización de esta máquina.
- SIGA TODOS LOS CÓDIGOS DE CABLEADO** y las conexiones eléctricas recomendadas.
- MONTE LA HERRAMIENTA FIRMEMENTE** en una superficie de soporte estable antes de utilizarla.
- UTILICE LOS PROTECTORES SIEMPRE QUE SEA POSIBLE.** Asegúrese de que estén colocados en su sitio, sujetos firmemente y funcionando correctamente.
- UTILICE ÚNICAMENTE HOJAS DE SIERRA DE CORTE TRANSVERSAL.** Utilice únicamente ángulos de gancho de cero grados o negativos cuando emplee hojas con puntas de carburo. No utilice hojas que tengan gargantas profundas. Estas hojas pueden doblarse y entrar en contacto con el protector.
- USE SÓLO HOJAS DEL TAMAÑO Y TIPO CORRECTO** especificadas para esta herramienta.
- USE UNA HOJA AFILADA.** Compruebe la hoja para ver si funciona libremente y si está libre de vibraciones.
- INSPECCIONE LA HOJA PARA VER SI TIENE GRIETAS** u otros daños antes de utilizarla. Reemplace inmediatamente la hoja agrietada o dañada.
- LIMPIE LA HOJA Y LAS PESTAÑAS DE LA HOJA** antes de utilizarla. Compruebe si la hoja tiene daños y apriete firmemente la tuerca del eje portaherramienta.
- USE SÓLO LAS PESTAÑAS DE HOJA** especificadas para esta herramienta.
- DESPEJE EL ÁREA DE LIQUIDOS INFLAMABLES** y/o gases inflamables antes de utilizar la máquina.
- LIMPIE LAS RANURAS DE VENTILACIÓN DEL MOTOR** para quitar las virutas y el serrín.
- APRIETE EL MANGO DE LA ABRAZADERA DE LA MESA** y cualquier otra abrazadera antes de utilizar la máquina.
- NUNCA ARRANQUE LA HERRAMIENTA** con la pieza de trabajo contra la hoja.
- MANTENGA LAS MANOS** alejadas de la trayectoria de la hoja de sierra. Sujete con abrazaderas todas las piezas de trabajo que requerirían que la mano esté en la "Zona de peligro de la mesa" (dentro de las líneas rojas).
- DEJE QUE EL MOTOR** alcance su velocidad máxima antes de comenzar el corte.
- NUNCA PONGA LAS MANOS ALREDEDOR** ni detrás de la hoja de sierra.
- NUNCA CORTE METALES FERROSOS** ni mampostería.
- NUNCA CORTE DE NUEVO PEDAZOS PEQUEÑOS.**
- NUNCA BLOQUEE EL INTERRUPTOR** en la posición de encendido.
- NO APLIQUE LUBRICANTE** a una hoja que esté en marcha.
- NO REALICE OPERACIONES A PULSO.** Sujete firmemente la pieza de trabajo contra el tope-guía y la mesa. Use abrazaderas para sujetar la pieza de trabajo cuando sea posible.
- SOPORTE APROPIADAMENTE las piezas de trabajo LARGAS** o anchas.
- DESPUÉS DE COMPLETAR EL CORTE,** suelte el interruptor de alimentación y espere a que la hoja que gira por inercia se detenga por completo antes de regresar la sierra a la posición subida.
- APAGUE LA HERRAMIENTA Y DEJE QUE LA HOJA SE DETENGA POR COMPLETO** antes de limpiar el área de la hoja o quitar los residuos que estén en la trayectoria de la hoja. Una hoja que gira por inercia hasta detenerse es peligrosa.
- APAGUE LA HERRAMIENTA Y DEJE QUE LA HOJA SE DETENGA POR COMPLETO** antes de retirar o sujetar la pieza de trabajo, cambiar el ángulo de la pieza de trabajo o cambiar el ángulo de la hoja.
- NUNCA REALICE TRABAJO DE INSTALACIÓN, MONTAJE** o preparación en el área de la mesa o de trabajo cuando la máquina esté en marcha.
- APAGUE LA MÁQUINA Y DESCONÉCTELA** de la fuente de alimentación antes de instalar o quitar accesorios, antes de ajustar o cambiar preparaciones o al hacer reparaciones.
- APAGUE LA MÁQUINA,** desconéctela de la fuente de alimentación y limpie el área de la mesa y de trabajo antes de dejar la máquina. **BLOQUEE EL INTERRUPTOR EN LA POSICIÓN DE APAGADO** para impedir el uso no autorizado.
- NO TIRE DE ESTA UNIDAD POR EL CABLE DE ALIMENTACIÓN.** No deje que el cable de alimentación entre en contacto con instrumentos o bordes afilados, superficies calientes, aceite o grasa. No ponga ningún peso sobre el cable de alimentación. Un cable de alimentación dañado puede causar descargas eléctricas o electrocución.
- ANTES OPERAR EL VIO.** El cheque y cierra seguramente el bisel, mitra, y los ajustes de la cerca de sliding.
- EL CABEZAL DE CORTE DEBE VOLVER RÁPIDAMENTE A LA POSICIÓN MÁS ALTA.** De lo contrario, el protector inferior no funcionará adecuadamente y eso puede ocasionar lesiones personales. Consulte la sección del manual referida al "Ajuste del retorno del cabezal de corte".
- HAY INFORMACIÓN ADICIONAL** disponible relacionada con la utilización segura y apropiada de herramientas mecánicas (por ejemplo, un video sobre seguridad) a través del Instituto de Herramientas Mecánicas, Power Tool Institute, 1300 Sumner Avenue, Cleveland, OH 44115-2851 ([www.powertool-institute.com](http://www.powertool-institute.com)). También hay información disponible a través del Consejo Nacional de Seguridad, National Safety Council, 1121 Spring Lake Drive, Itasca, IL 60143-3201. Sírvase consultar también los Requisitos de Seguridad para Máquinas de Elaboración de la Madera ANSI 01.1 del Instituto Nacional Americano de Normas (American National Standards Institute) y las normas OSHA 1910.213 del Departamento de Trabajo de los EE.UU.

## GUARDE ESTAS INSTRUCCIONES.

Refiérase a ellas con frecuencia y utilícelas para adiestrar a otros.

## CONEXIONES A LA FUENTE DE ALIMENTACIÓN

Debe utilizarse un circuito eléctrico independiente para las máquinas. Este circuito debe tener alambre de no menos del No. 12 y debe estar protegido con un fusible de acción retardada de 20 A. Si se utiliza un cordón de extensión, utilice únicamente cordones de extensión de tres alambres que tengan enchufes de tipo de conexión a tierra con tres terminales y un receptáculo coincidente que acepte el enchufe de la máquina. Antes de conectar el máquina a la línea de alimentación, asegúrese de que el interruptor(s) esté en la posición de apagado y cerciórese de que la corriente eléctrica tenga las mismas características que las que estén indicadas en la máquina. Todas las conexiones a la línea de alimentación deben hacer buen contacto. El funcionamiento a bajo voltaje dañará el máquina.

**⚠ ADVERTENCIA RIESGO DE DESCARGA ELÉCTRICA. NO EXPONGA LA MÁQUINA A LA LLUVIA NI LA UTILICE EN LUGARES HÚMEDOS.**

## INSTRUCCIONES DE CONEXIÓN A TIERRA

**⚠ ADVERTENCIA RIESGO DE DESCARGA ELÉCTRICA. ESTA MÁQUINA DEBE ESTAR CONECTADA A TIERRA MIENTRAS SE ESTÉ UTILIZANDO, PARA PROTEGER AL OPERADOR CONTRA LAS DESCARGAS ELÉCTRICAS.**

La máquina está cableada para corriente alterna de 120 V., 60 Hz. Antes de conectar la máquina a la fuente de alimentación, asegúrese de que el interruptor esté en la posición de apagado.

### 1. Todas las máquinas conectadas con cordón conectadas a tierra:

En caso de mal funcionamiento o avería, la conexión a tierra proporciona una ruta de resistencia mínima para la corriente eléctrica, con el fin de reducir el riesgo de descargas eléctricas. Esta máquina está equipada con un cordón eléctrico que tiene un conductor de conexión a tierra del equipo y un enchufe de conexión a tierra. El enchufe debe enchufarse en un tomacorriente coincidente que esté instalado y conectado a tierra adecuadamente, de acuerdo con todos los códigos y ordenanzas locales.

No modifique el enchufe suministrado. Si el enchufe no cabe en el tomacorriente, haga que un electricista calificado instale el tomacorriente apropiado.

La conexión inapropiada del conductor de conexión a tierra del equipo puede dar como resultado riesgo de descargas eléctricas. El conductor con aislamiento que tiene una superficie exterior de color verde con o sin franjas amarillas es el conductor de conexión a tierra del equipo. Si es necesario reparar o reemplazar el cordón eléctrico o el enchufe, no conecte el conductor de conexión a tierra del equipo a un terminal con corriente.

Consulte a un electricista competente o a personal de servicio calificado si no entiende completamente las instrucciones de conexión a tierra o si tiene dudas en cuanto a si la máquina está conectada a tierra apropiadamente.

Utilice únicamente cordones de extensión de tres alambres que tengan enchufes de tipo de conexión a tierra con tres terminales y receptáculos de tres conductores que acepten el enchufe de la máquina, tal como se muestra en la Fig. A.

Repare o reemplace inmediatamente los cordones dañados o desgastados.

### 2. Máquinas conectadas con cordón conectadas a tierra diseñadas para utilizarse en un circuito de alimentación que tenga una capacidad nominal de menos de 150 V:

Si la máquina está diseñada para utilizarse en un circuito que tenga un tomacorriente parecido al que se ilustra en la Fig. A, la máquina tendrá un enchufe de conexión a tierra que se parece al enchufe ilustrado en la Fig. A. Puede utilizarse un adaptador temporal, que se parece al adaptador ilustrado en la Fig. B, para conectar este enchufe a un receptáculo coincidente de dos conductores, tal como se muestra en la Fig. B, si no se dispone de un tomacorriente conectado a tierra apropiadamente. El adaptador temporal debe utilizarse solamente hasta que un electricista calificado pueda instalar un tomacorriente conectado a tierra apropiadamente. La orejeta, lengüeta, etc., rígida de color verde que sobresale del adaptador debe conectarse a una toma de tierra permanente, como por ejemplo una caja tomacorriente conectada a tierra adecuadamente. Siempre que se utilice un adaptador, debe sujetarse en su sitio con un tornillo de metal.

**NOTA: En Canadá, el uso de un adaptador temporal no está permitido por el Código Eléctrico Canadiense.**

**⚠ ADVERTENCIA RIESGO DE DESCARGA ELÉCTRICA. EN TODOS LOS CASOS, ASEGÚRESE DE QUE EL RECEPTÁCULO EN CUESTIÓN ESTÉ CONECTADO A TIERRA ADECUADAMENTE. SI NO ESTÁ SEGURO, HAGA QUE UN ELECTRICISTA CALIFICADO COMPRUEBE EL RECEPTÁCULO.**

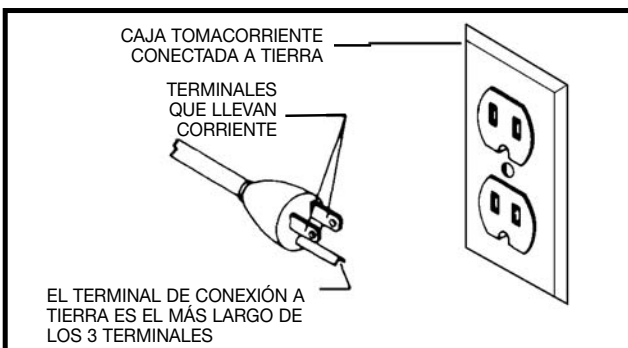


Fig. A

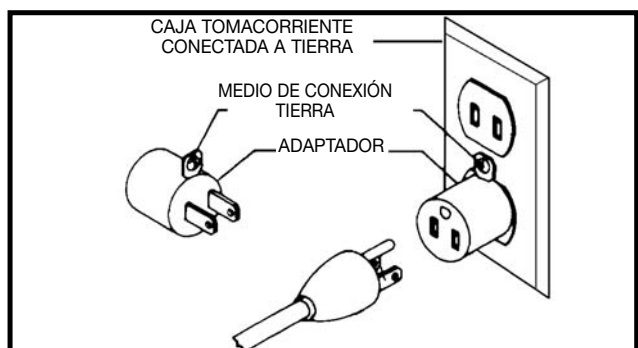


Fig. B

# CORDONES DE EXTENSIÓN

## ⚠ ADVERTENCIA

Utilice cordones de extensión apropiados. Asegúrese de que el cordón de extensión esté en buenas condiciones y de que sea un cordón de extensión de tres alambres que tenga un enchufe de tipo de conexión a tierra con tres terminales y un receptáculo coincidente que acepte el enchufe de la máquina. Cuando utilice un cordón de extensión, asegúrese de emplear un cordón que sea lo suficientemente pesado como para llevar la corriente de la máquina. Un cordón de tamaño insuficiente causará una caída de la tensión de la línea eléctrica que dará como resultado pérdida de potencia y recalentamiento. En la Fig. C se muestra el calibre correcto que debe utilizarse dependiendo de la longitud del cordón. En caso de duda, utilice el siguiente calibre más pesado. Cuanto más pequeño sea el número de calibre, más pesado será el cordón.

CORDÓN DE EXTENSIÓN DE CALIBRE MÍNIMO			
TAMAÑOS RECOMENDADOS PARA USO CON MÁQUINAS ELÉCTRICAS ESTACIONARIAS			
Capacidad Nominal En Amperios	Voltios	Longitud Total Del Cordón En Pies	Calibre Del Cordón De Extensión
0-6	120	Hasta 25	18 AWG
0-6	120	25-50	16 AWG
0-6	120	50-100	16 AWG
0-6	120	100-150	14 AWG
6-10	120	Hasta 25	18 AWG
6-10	120	25-50	16 AWG
6-10	120	50-100	14 AWG
6-10	120	100-150	12 AWG
10-12	120	Hasta 25	16 AWG
10-12	120	25-50	16 AWG
10-12	120	50-100	14 AWG
10-12	120	100-150	12 AWG
12-16	120	Hasta 25	14 AWG
12-16	120	25-50	12 AWG
12-16	120	NO SE RECOMIENDA LONGITUDES MAYOR DE 50 PIES	

Fig. C

# INSTRUCCIONES DE FUNCIONAMIENTO

## PREFACIO

El modelo SM100M del delta es 10" sierra compuesta de los ingletes de la potencia diseñada para cortar la madera. El cortar compuesto del ángulo y del cartabón es fácil y exacto. Puede crosscut hasta 5-3/4" x 2-3/8", los ingletes en 45 ambos 4-1/8" x izquierdo y derecho 2-3/8", cartabón en 45 a la izquierda 5-7/8" x 1-9/16", y componer 45 x 45, 4-1/8" x 1-9/16". Tiene ingletes positivos en 0, 22,5, 31.62, y 45 grados ambos a la izquierda e a la derecha, y paradas del cartabón en 0 y 45 grados de ajustable.

**NOTA:** La foto de la cubierta del manual ilustra el modelo o de producción actual. Todas las demás ilustraciones son solamente representativas y es posible que no muestren el color, el etiquetado y los accesorios reales.

# CONTENIDO DE LA CAJA

Retire la sierra ingletadora y todos los elementos sueltos de la caja.

**PRECAUCIÓN** No tome la sierra ingletadora por el mango del interruptor para levantarla. Esto puede afectar su alineación. Siempre levante la máquina tomándola por la base o el mango de transporte.

1. Sierra ingletadora
2. Bolsa recolectora de polvo
3. Llave para cambio de hoja de 12,7 mm (1/2")
4. Llave hexagonal de 5 mm
5. Mango de bloqueo de mesa

## DESEMPAQUETADO Y LIMPIEZA

Desempaque cuidadosamente la máquina y todas las piezas sueltas que están en el contenedor o contenedores de transporte. Quite el revestimiento protector de todas las superficies no pintadas. Este revestimiento puede quitarse con un paño suave humedecido con queroseno (no utilice acetona, gasolina ni diluyente de laca para este fin). Después de realizar la limpieza, cubra las superficies no pintadas con una cera en pasta doméstica de buena calidad para pisos.

# ENSAMBLAJE

## HERRAMIENTAS NECESARIAS PARA EL MONTAJE

(Suministrado)

\* Llave De Tuerca hexagonal De 5mm

\* Llave de la tuerca del cenador de la pulgada del 1/2

(No suministrado)

\* Destornillador de cabeza Phillips

\* Escuadra de ajustar

**▲ ADVERTENCIA** Para su propia seguridad, no conecte la lijadora a la fuente de energía hasta que la máquina haya sido ensamblada por completo y usted haya leído y entendido completamente el manual del propietario.

**▲ ADVERTENCIA** DESCONECTE LA MÁQUINA DE FUENTE DE ENERGÍA!

## ENSAMBLAJE DE LA AGARRADERA DE CIERRE DE LA MESA

Atornille la agarradera de cierre de la mesa (A) Fig. 2 al agujero fileteado (B) del soporte angular del brazo.

## ROTACION DE LA MESA A LA POSICION DE 90 GRADOS

1. Afloje la agarradera de cierre de la mesa (A) Fig. 3, uno o dos vueltas y oprima la palanca de índice (B) para soltar el tope positivo de 45 grados.
2. Gire la mesa a la izquierda hasta que el tope de índice quede engranado al tope positivo de 90 grados, como aparece en la Fig. 4. Apriete entonces la agarradera de cierre de la mesa (A).

## MOVIENDO EL CABEZAL DE CORTE A LA POSICION ELEVADA

1. Empuje la agarradera del interruptor (A) Fig. 6 hacia abajo y saque la perilla de cierre del cabezal de corte (B).
2. El cabezal de corte (C) puede moverse entonces a la posición elevada, como lo ilustra la Fig. 6.

## ENSAMBLAJE DE LA BOLSA GUARDAPOLVOS

Apriete los clips (A) Fig. 7 de la primavera de la bolsa (B) de polvo y sujete la bolsa (B) de polvo sobre las costillas del tobogán de polvo.

## AFIANZANDO LA MAQUINA A LA SUPERFICIE DE APOYO

Antes de funcionar su sierra de los ingletes del compuesto, cerciórese de que está montada firmemente al banco de trabajo robusto o a la otra superficie que utiliza. Se proporcionan cuatro agujeros, de los cuales aparecen dos en (A) Fig. 8, para afianzar la sierra a una superficie de apoyo.

Cuándo moviendo con frecuencia el vío del lugar para colocar, montar el vío en un 3/4" pedazo de contrachapado, y sujete el contrachapado a una superficie secundaria con "C" abrazaderas.

# OPERACIÓN

## CONTROLES Y AJUSTES OPERACIONALES

### ÁREA DE PELIGRO DE LA MESA

**▲ ADVERTENCIA** El área que se encuentra dentro de las dos líneas rojas (A), Fig. 9 de la mesa esta designada como una ZONA DE PELIGRO. Nunca ponga las manos en el interior de esta área mientras se este utilizando la herramienta.

## UTILIZAR LA ABRAZADERA OPCIONAL DEL TRABAJO

1. Una fig. 10 del (A) de la abrazadera del trabajo opcional está disponible. Utilice esta almeja accesorio, especialmente con los objetos cortos. Nunca permita que sus manos estén en la "zona del peligro".
2. Fig. 9 del (B) de dos agujeros se proporciona en la base de la sierra de los ingletes permitiéndole utilizar el fig. 10 (A) de la abrazadera en la derecha o la cara de la mano izquierda de la lámina de sierra.

**▲ ADVERTENCIA** Mantenga las manos fuera de la trayectoria de la hoja de la sierra. En caso de necesidad, afiance el objeto en lugar antes de hacer el corte.

## ARRANCANDO Y DETENIENDO LA MAQUINA

Para encender la máquina, oprima el interruptor de gatillo (A) Fig. 11. Para detener la máquina, suelte el interruptor de gatillo. Esta sierra de ingletes viene equipada con un freno de hoja automático. Tan pronto como se suelta el interruptor de gatillo, (A) Fig. 11, el freno eléctrico queda activado y detiene la hoja en cuestión de segundos.

**▲ ADVERTENCIA** Una hoja de sierra girante puede ser peligrosa. Después de completar el corte, suelte el interruptor de gatillo (A) Fig. 11 para activar el freno de la hoja. Mantenga el cabezal de corte en la posición inferior hasta que se detenga completamente la hoja.

**▲ ADVERTENCIA** La torsión desarrollada durante el frenado puede aflojar el tornillo del árbol (E) Fig. 45. El tornillo del árbol debe ser revisado periódicamente y vuelto a apretar, si resulta necesario.

## FIJANDO EL INTERRUPTOR EN LA POSICION DE APAGADO

**IMPORTANTE:** Cuando la sierra de los ingletes no es adentro uso, el interruptor se debe bloquear en la posición de "Off" usando una fig. 12 del padlock (B) con 3/16" grillo del diámetro.

## ROTACION DE LA MESA PARA EL CORTE DE INGLETES

Su sierra de ingletes cortará cualquier ángulo desde un corte derecho de 90 grados hasta 47 grados a la derecha y a la izquierda. Simplemente afloje la agarradera de cierre, (A) Fig. 13, una o dos vueltas, oprima la palanca de índice (B) y mueva el brazo de control al ángulo deseado. **APRIETE ENTONCES LA AGARRADERA DE CIERRE (A).**

La sierra de ingletes cuenta con topes positivos en las posiciones de 0, 22.5, 31.62, y 45 grados a la izquierda y a la derecha. Simplemente afloje la agarradera de cierre, (A) Fig. 14, y mueva el brazo de control hasta que el fondo de la palanca de índice (B) se acople a uno de los topes positivos, de los cuales aparecen cuatro en (C). **APRIETE ENTONCES LA AGARRADERA DE CIERRE (A).** Para desacoplar el tope positivo, oprima la palanca de índice (B).

Se incluye, además, un triángulo indicador (D) Fig. 15 sobre la escala de ingletes en la posición de ingletes de 31.6 grados a la izquierda y a la derecha para el corte de moldeaduras corona-das. Refiérase a la sección "CORTANDO MOLDEADURAS CORONADAS" en este manual.

**IMPORTANTE:** Siempre apriete la agarradera de cierre, (A) Fig. 14 antes de cortar.

## AJUSTE DE DESLIZAMIENTO ENTRE LA MESA MOVIL Y LA BASE

**▲ ADVERTENCIA** DESCONECTE LA MAQUINA DE LA FUENTE DE ENERGIA.

Para realizar el ajuste entre la mesa móvil y la base, gire la tuerca (A) Fig. 14A en el sentido de las agujas del reloj para aumentar el ajuste de deslizamiento (contrario a la disminución del ajuste). Este ajuste no debe ser extremo, lo que impediría el movimiento giratorio de la mesa, ni demasiado flojo, lo que afectaría la precisión de la sierra.

## INDICADOR Y ESCALA

Se proporciona un indicador (E) Fig. 15 que señala el ángulo de corte actual. Cada línea en la escala (F) representa 1 grado. En efecto, cuando el indicador es movido de una línea a la siguiente en la escala, el ángulo de corte cambia por 1 grado.

## AJUSTE DEL INDICADOR

Si resulta necesario ajustar el indicador, (E) Fig. 16, simplemente afloje el tornillo (G), ajuste el indicador como corresponde y apriete el tornillo (G).

## FIJACION DEL CABEZAL DE CORTE A LA POSICION "ABAJO"

Cuando vaya a transportar la sierra de ingletes, el cabezal de corte debe colocarse siempre en la posición "abajo". Esto puede hacerse al bajar el cabezal de corte, (A) Figura 17, y empujando el pasador (B) hasta que el otro cabo del pasador se acople con el agujero en el brazo de corte.

**IMPORTANTE:** Jamás porte la sierra de ingletes por el mango del interruptor o el mango de control de mesa, ya que esto puede causar el desalineamiento levante la máquina siempre por la base o la agarradera para portar (Vea Fig. 20).

## INCLINACION DEL CABEZAL DE CORTE PARA EL CORTE DE BISELADO

**IMPORTANTE:** Mueva la guía deslizante a fin de que haya espacio para la hoja y el protector. El grado de inclinación determina la distancia del movimiento de la guía deslizante. Consulte la sección "Ajuste de la guía deslizante".

El cabezal de corte de su sierra de ingletes compuesta puede ser inclinado para cortar cualquier ángulo de biselado desde un troceado directo de 90 grados hasta un ángulo de biselado de 45 grados a la izquierda al aflojar la agarradera de cierre de biselado (A) Fig. 18, inclinado el brazo de corte (B) al ángulo deseado y apretando la agarradera de cierre (A).

Se proporcionan topes positivos para posicionar la hoja de la sierra rápidamente a 90 y 45 grados de la mesa. Refiérase a la sección de este manual titulada "AJUSTANDO LOS TOPES POSITIVOS DE BISELADO DE 90 Y 45 GRADOS." El ángulo de biselado del brazo de corte lo determina la posición del indicador (C) Fig. 18 en la escala (D).

Se incluye, además, un triángulo indicador sobre la escala de biselado en la posición de biselado de 33.86 grados para el corte de moldeaduras coronadas. Refiérase a la sección "CORTANDO MOLDEADURAS CORONADAS" en este manual.

## AJUSTE DE LA GUÍA DESLIZANTE

La guía deslizante (A) Fig. 18A proporciona sustento para poder usar la sierra con piezas de trabajo muy grandes. Colóquela lo más cerca posible de la hoja de la sierra. Cuando realice cortes de inglete (hoja a 90° con respecto a la mesa y en ángulo a la derecha o la izquierda), coloque la guía totalmente contra la hoja (Fig. 18B). Cuando realice un corte biselado, sin embargo (hoja inclinada a un ángulo con respecto a la mesa), mueva la guía (A) lo suficientemente lejos de la hoja como para dejar un espacio adecuado. Para volver a ubicar la guía, afloje el mango de bloqueo (B), y deslice la guía (A) hacia la ubicación deseada. Ajuste el mango de bloqueo (B).

## APOYO POSTERIOR / AGARRADERA PARA PORTAR

Se incluye una barra de apoyo posterior, (A) Fig. 19, para impedir que la sierra de ingletes se vuelque hacia atrás cuando el cabezal de corte regresa a la posición elevada tras de haber realizado un corte. Para obtener el apoyo máximo, la barra (A) debe tirarse hacia afuera lo más posible.

La barra de apoyo (A) funciona también como una agarradera para portar, como lo ilustra la Fig. 20, cuando se transporta la sierra.

## ADJUSTANDO LA HOJA PARALELAMENTE A LA RANURA DE LA MESA

### **⚠ ADVERTENCIA** DESCONECTE LA MÁQUINA DE FUENTE DE ENERGÍA!

1. Baje el brazo de corte. La hoja de la sierra (A) Fig. 21 debe estar paralela al borde izquierdo (B) de la ranura de la mesa.
2. Si se necesita un ajuste, afloje los tres tornillos (C) Fig. 21 y mueva el brazo de corte hasta que la hoja esté paralela al borde izquierdo (B) de la ranura de la mesa. Apriete entonces los tres tornillos (C).

## REGULACIÓN DEL REBORDE

### **⚠ ADVERTENCIA** DESCONECTE LA MÁQUINA DE LA FUENTE DE ALIMENTACIÓN

Para que la sierra pueda biselar a 47 grados completos a la izquierda, se puede regular el lado izquierdo de la guía hacia la izquierda para proporcionar espacio. Para ajustar la guía, afloje la perilla de plástico que se muestra en la Figura 22, y deslice la guía hacia la izquierda. Ensaye una vez con la sierra apagada y verifique que haya espacio suficiente. Regule la guía para que quede lo más cerca posible de la hoja y proporcione un máximo soporte a la pieza de trabajo, sin interferir con el movimiento de elevación y descenso del brazo. Ajuste la perilla firmemente. Al completar las operaciones de biselado, no olvide reubicar la guía hacia la derecha.

NOTA: El surco guía en el lado izquierdo de la guía puede quedar obstruido con aserrín. Si nota que ha comenzado a obstruirse, utilice un palillo o aire a baja presión para limpiarlo.

## AJUSTANDO EL TRAYECTO DESCENDENTE DE LA HOJA DE LA SIERRA

### **⚠ ADVERTENCIA** DESCONECTE LA MÁQUINA DE FUENTE DE ENERGÍA!

1. El trayecto descendente de la hoja de la sierra puede ser limitado para impedir que la hoja entre en contacto con cualquier superficie metálica de la máquina. Este ajuste se realiza al aflojar la tuerca de cierre (A) Fig. 23 y virando el tornillo de ajuste (B) hacia adentro o afuera.
2. Baje la hoja lo máximo posible. Gire la hoja manualmente para asegurarse que los dientes no entren en contacto con ninguna superficie metálica. Ajuste si resulta necesario.
3. Apriete la tuerca de cierre (A).

## AJUSTANDO LOS TOPES DE BISELADO DE 90 Y 45 GRADOS

### **⚠ ADVERTENCIA** DESCONECTE LA MÁQUINA DE FUENTE DE ENERGÍA!

1. Afloje la agarradera de cierre de biselado (A) Fig. 18 y mueva el brazo de corte (B) al extremo derecho. Vuelva a apretar entonces la agarradera de cierre de biselado.
2. Utilizando una escuadra (A) Fig. 24, coloque un extremo de la escuadra sobre la mesa y el otro contra la hoja. Revise si la hoja se encuentra a 90 grados de la mesa (Fig. 24).
3. Si resulta necesario hacer un ajuste, afloje la tuerca de cierre (B) Fig. 25 y vire el tornillo (C) hasta que la cabeza del tornillo (C) haga contacto con la pieza moldeada (D) cuando la hoja esté a 90 grados de la mesa. Apriete entonces la tuerca de cierre (B).
4. Afloje la agarradera de cierre de biselado y mueva el brazo de corte al extremo izquierdo de biselado. Vuelva a apretar entonces la agarradera de cierre de biselado.
5. Utilizando una escuadra de combinaciones (A) Fig. 26, revise si la hoja se encuentra a 45 grados de la mesa, como se ilustra aquí.
6. Si resulta necesario hacer un ajuste, afloje la tuerca de cierre (E) Fig. 27 y vire el tornillo (F) hasta que el tornillo (F) haga contacto con la pieza moldeada (G) cuando la hoja esté a 45 grados de la mesa. Apriete entonces la tuerca de cierre (E).
7. Compruebe para ver que biselada del indicador (P) Fig. 28, esté señalando a la marca de 45 grados en la escala biselada (S). Para ajustar el indicador biselado P, aflojar el tornillo (H) y ajustar el indicador (P) y apretar el tornillo (H) con seguridad.
8. Estos topes positivos le permiten posicionar la hoja rápidamente en los ángulos de biselado de 90 y 45 grados de la mesa.



## AJUSTE DE DESLIZAMIENTO ENTRE EL BRAZO DEL CABEZAL DE CORTE Y EL SOPORTE GIRATORIO

Después de un período prolongado, puede ser necesario realizar un ajuste de deslizamiento entre el brazo del cabezal de corte (B) Fig. 29A, y el soporte giratorio (C). Para hacerlo, ajuste la tuerca (D). Este ajuste no debe ser extremo, para que no impida el movimiento de deslizamiento del brazo del cabezal de corte al realizar el corte de biselado, ni demasiado suelto, lo que afectaría la precisión del corte de la sierra.

## AJUSTE DEL PROTECTOR INFERIOR DE LA HOJA

**⚠ ADVERTENCIA** DESCONECTE LA MÁQUINA DE LA FUENTE DE ALIMENTACIÓN.

Esta máquina incorpora un protector de hoja (A) Fig. 29B para cubrir la sección trasera de la hoja. Luego de un uso prolongado, el protector inferior desmontable de la hoja tal vez no funcione correctamente al bajar el cabezal de corte. Esto se puede corregir ajustando la tuerca (B) hasta que el protector inferior de la hoja se mueva sin dificultad.

**⚠ ADVERTENCIA** Ajustar demasiado la tuerca puede impedir el movimiento del protector.

**NOTA:** esta unidad ha sido diseñada con un protector trasero articulado. Antes de entrar en contacto con la pieza de trabajo, el protector trasero girará hacia arriba para exponer más la hoja mientras se baja el cabezal de corte.

**⚠ ADVERTENCIA** NO RETIRE NINGUNO DE LOS PROTECTORES DE LA HOJA.

**⚠ ADVERTENCIA** Asegúrese de que todos los protectores estén en su lugar y que funcionen adecuadamente antes de usar la sierra.

**⚠ ADVERTENCIA** Asegúrese de que las guías estén lejos del protector y la hoja antes de usar la sierra.

## AJUSTANDO LA TENSION DEL RESORTE DE RETORNO DEL CABEZAL DE CORTE

**⚠ ADVERTENCIA** DESCONECTE LA MÁQUINA DE FUENTE DE ENERGÍA!

La tensión del resorte de retorno del cabezal de corte ha sido ajustada de fábrica de manera que el cabezal de corte regresa a la posición elevada una vez que se haya realizado un corte. Para ajustar, haga lo siguiente:

Aflore la tuerca de cierre (A) Fig. 29, y gire el tornillo (B) en el sentido de las agujas del reloj para aumentar - o en el sentido contrario para reducir - la tensión del resorte. Una vez ajustada la tensión del resorte, apriete la tuerca de cierre (A).

## UTILIZAR LA MAQUINA

### FUNCIONES TÍPICAS Y CONSEJOS ÚTILES

**⚠ ADVERTENCIA** El cabezal de corte debe volver rápidamente a la posición más alta. El retorno lento o incompleto del cabezal de corte afectará el funcionamiento del protector inferior y puede ocasionar lesiones personales.

1. Antes de cortar, asegúrese que el brazo de corte y la mesa se encuentren en sus fijaciones debidas y firmemente fijadas en su sitio.
2. Coloque el material sobre la mesa y deténgalo o sujételo con una abrazadera firmemente contra la guía. La Fig. 30 ilustra la abrazadera de trabajo (A) siendo utilizada para abrazar una pieza contra la guía. La abrazadera (A) puede ser utilizada también al lado derecho de la máquina.
3. **⚠ ADVERTENCIA** Si la pieza que está cortando hace que su mano esté dentro de la zona del peligro de la hoja de la sierra, el material debe ser abrazado en su sitio antes de realizar el corte.
4. Para mejores resultados, corte a una tasa lenta y pareja.
5. Jamás intente cortar a mano libre (madera que no se encuentre firmemente detenida contra la guía y la mesa).

### REFRENTADO DE MADERA AUXILIAR

**⚠ ADVERTENCIA** Cuando realice funciones de corte múltiple o el troceado repetitivo que resulta en pequeñas piezas troceadas de una pulgada o menos, existe la posibilidad de que la hoja de la sierra se encuentre las piezas troceadas y las expulse de la máquina, o al protector de hojas y la carcasa, posiblemente ocasionando daño o lesión. Para limitar la posibilidad del lesionamiento personal o el daño al protector de hoja, se puede montar un refrentado de madera auxiliar a su máquina (Fig. 31).

Se proporcionan agujeros en la guía para conectar un refrentado auxiliar (A) Fig. 31. Este refrentado auxiliar está hecho de madera recta de aproximadamente 1/2 pulgada de grueso por 3 pulgadas de alto por 20 pulgadas de largo.

**NOTA:** El refrentado auxiliar (A) se utiliza **ÚNICAMENTE** con la hoja de la sierra en la posición de biselado de 0 grados (90 grados de la mesa). Durante el corte de biselado (con la hoja inclinada) el refrentado auxiliar deberá ser quitado.

### OPERACIONES GENERALES DEL CORTE

1. Su sierra de ingletes tiene la capacidad de cortar tablas de 2 x 4 estándar descansando en plano o de borde, a los ángulos de inglete de 45 grados a izquierda y derecha (Figs. A2 y A2).
2. Una tabla 2 x 6 estándar puede ser cortada de una sola pasada con facilidad en un ángulo de 90 grados de corte derecho (Fig. A3).

3. El corte de una viga 4 x 4 estándar se realiza fácilmente con su sierra de ingletes de una sola pasada (Fig. A4).
4. Esta máquina tiene la capacidad de cortar los moldeados y otros cortes del cartabón-tipo (Fig. A5) de la corona.
5. El corte de varios tamaños de tubos de plástico es una tarea fácil con la sierra de ingletes (Fig. A6).

## CORTE DEL ALUMINIO

Las extrusiones de aluminio, como las que se utilizan para la fabricación de pantallas y ventanas de tormenta en aluminio, pueden ser cortadas fácilmente con su sierra de ingletes compuesta. Cuando se vayan a cortar extrusiones de aluminio, u otras secciones que puedan ser cortadas por medio de una hoja de sierra y que estén dentro de las capacidades de la máquina, coloque el material

**▲ ADVERTENCIA** de tal manera que la hoja esté cortando a través de la transversal más pequeña, como se ilustra en la Fig. 32. La manera equivocada de cortar el aluminio aparece en la Fig. 33. Asegúrese de aplicar una cera de barra a la hoja antes de cortar cualquier artículo de aluminio. Esta cera de barra se encuentra disponible en la mayoría de los

## CORTE DE MATERIALES ARQUEADOS

Cuando esté cortando piezas planas, cerciórese primero si el material está arqueado. Si lo está, asegúrese de que el material esté colocado sobre la mesa de la manera ilustrada en la Figura 34.

Si el material está colocada de la manera equivocada, como lo muestra la Figura 35, la pieza de trabajo apretará la hoja cerca del completamiento del corte.

Fig. 34 - incorrecto

Fig. 35 - corrector

## EXTENSIONES DE SOPORTE PARA LA PIEZA DE TRABAJO

Para brindar soporte cuando se cortan piezas largas, se puede construir una extensión de soporte para la pieza de trabajo. En la Fig. 36 se ilustra la sierra para cortar ingletes montada en dos tablas de 2 x 4 estándar (A). Sujete las ranuras de las dos patas de montaje (B) a las tablas de 2 x 4 utilizando cuatro tornillos (no suministrados) a través de los cuatro agujeros de las patas de montaje. La longitud de las tablas de 2 x 4 (A) puede variar según el tipo de pieza de trabajo que sea necesario cortar,

**NOTA:** Asegúrese de que la parte superior de las tablas de soporte de 2 x 4 (C) este niveladas con la mesa de la sierra para cortar ingletes.

Esto es crucial, debido a que la distancia desde la parte superior de las tablas de 2 x 4 (A) hasta la mesa de la sierra para cortar ingletes varía de una sierra a otra. En la mayoría de los casos, se pueden usar tablas de 2 x 4 estándar (C). Si éstas son demasiado altas, corte las tablas de 2 x 4 (C) para proporcionar esta altura o use otra madera que tenga el tamaño apropiado.

## CORTE DE MOLDURA DE CORNISA

Una de las muchas características de la sierra es la facilidad con que corta moldura de cornisa. El procedimiento siguiente es un ejemplo de cómo cortar esquinas tanto interiores como exteriores en moldura de cornisa con un ángulo de pared de **52°/38°**.

1. Mueva la mesa hasta la posición de inglete a la derecha a 31.62° y fije la mesa en esa posición. **NOTA:** Se suministra un tope positivo para localizar rápidamente este ángulo.
2. Incline la hoja de sierra hasta la posición de bisel a la izquierda a 33.86° y apriete el mango de fijación de bisel. **NOTA:** Se suministra un indicador triangular en la escala de bisel para localizar rápidamente este ángulo.
3. Ponga la moldura de cornisa en la mesa con el **BORDE DEL TECHO** de la moldura contra el tope-guía y haga el corte, de la manera que se muestra en la Fig. 37.

**NOTA:** La pieza de moldura de cornisa utilizada para la esquina exterior estará siempre en el lado derecho de la hoja, de la manera que se muestra en (A), Fig. 37. La pieza de moldura de cornisa utilizada para la esquina interior estará siempre en el lado izquierdo de la hoja, de la manera que se muestra en (B), Fig. 37.

4. Para hacer las mitades coincidentes de las esquinas interiores y exteriores, gire la mesa hasta la posición de inglete a la izquierda a 31.62°.

**NOTA:** Se suministra un tope positivo para localizar rápidamente este ángulo. La hoja de sierra ya está inclinada hasta la posición de bisel a 33.86° utilizada en el corte anterior.

5. Ponga la moldura de cornisa en la mesa con el **BORDE DE LA PARED** de la moldura de cornisa contra el tope-guía y haga el corte. Una vez más, la pieza de moldura de cornisa utilizada para la esquina exterior estará siempre en el lado derecho de la hoja, de la manera que se muestra en (C), Fig. 38. La pieza de moldura de cornisa utilizada para la esquina interior estará siempre en el lado izquierdo de la hoja, de la manera que se muestra en (D), Fig. 38.
6. En la Fig. 39 se ilustran las dos piezas de la esquina exterior, donde (1) es la pieza cortada en (A), Fig. 37, y (2) es la pieza cortada en (C), Fig. 38.
7. En la Fig. 40 se ilustran las dos piezas de la esquina interior, donde (1) es la pieza cortada en (B), Fig. 37, y (2) es la pieza cortada en (D), Fig. 38.

## MOLDURA DE CORNISA DE 45-45

Nota: Si está cortando moldura de cornisa que es de 45°-45°, siga el mismo procedimiento indicado anteriormente, con la excepción de que la posición de bisel estará siempre a 30° y la posición de inglete estará a 35-1/4° a la derecha o a la izquierda.

## OTROS ÁNGULOS

**NOTA:** Las instrucciones anteriores suponen que el ángulo entre las paredes es de 90°. Si necesita ayuda para cortar moldura de cornisa para paredes ubicadas a ángulos que no sean 90°, consulte la hoja de instrucciones "**CORTE DE MOLDURA DE CORNISA**" en el sitio Web de Delta Machinery en [www.deltamachinery.com](http://www.deltamachinery.com).

Fig. 37 - orilla de techo, orilla de pared

# MANTENIMIENTO

## CAMBIO DE LA HOJA

**▲ ADVERTENCIA** Solo utilice hojas de corte transversal.

**▲ ADVERTENCIA** Cuando vaya a hacer uso de hojas con puntas de carburo, no utilice hojas con gargantas profundas, ya que estas pueden desviarse y entrar en contacto con el protector.

**▲ ADVERTENCIA** Solo utilice hojas de sierra con diametro de 10 pulg. Que esten tasadas para el funcionamiento a 5200 rpm o mas alto y que tengan agujeros de arbol con diametro de 5/8 pulg.

**▲ ADVERTENCIA** DESCONECTE LA MÁQUINA DE FUENTE DE ENERGÍA!

1. Quite el tornillo (A) Fig. 41, y gire la cubierta (B) hacia atrás (Fig. 42).
2. Para quitar la hoja de la sierra, inserte la llave hexa-gonal (C) Fig. 43 en el agujero hexagonal localizado en la parte posterior del eje del árbol para evitar que el eje pueda girar
3. Utilizando la llave (D) Fig. 44, afloje el tornillo del árbol (E) girándolo en el sentido de las manecillas del reloj.
4. Quite el tornillo del árbol (E) Fig. 44, la pestaña externa de la hoja (F), y hoja de la sierra del árbol de la sierra.
5. Ensamble la hoja nueva de la sierra **asegurándose de que los dientes de la hoja de la sierra esten apuntando hacia abajo (Fig. 44)** y vuelva a ensamblar la pestaña externa de la hoja (F), y el tornillo del árbol (E) girándola en sentido antihorario con la llave (D) Fig. 44. Al mismo tiempo utilice la llave hexagonal (C) Fig. 44, para impedir que el árbol gire.
6. Substituya el tornillo y la cubierta que fue rotada a la parte posterior en el **PASO DE PROGRESIÓN 1**.

**▲ ADVERTENCIA** Quite las llaves (C) Fig. 43, y (D) Fig. 44, antes de encender la energia.

**▲ ADVERTENCIA** Antes de poner en funcionamiento la sierra, se debe reposicionar el soporte de la guarda en su ubicación original y ajustar el tornillo. El incumplimiento de esta instrucción posibilitaría que la guarda haga contacto con la hoja de la sierra en rotación, lo cual ocasionaría daños a la sierra y lesiones personales graves.

Fig. 44 - dientes

## INSPECCION Y REEMPLAZO DE LOS CEPILLOS

La vida de los cepillos varía. Depende la carga sobre el motor. Revise los cepillos después de las primeras 50 horas de uso para una máquina nueva o después de haber instalado un nuevo juego de cepillos. Tras la primera inspección, examínelos después de unas 10 horas de uso hasta que sea necesario reponerlos. Para inspeccionar los cepillos, haga lo siguiente:

**▲ ADVERTENCIA** DESCONECTE LA MÁQUINA DE FUENTE DE ENERGÍA!

1. Quite tres tornillos (A) Fig. 45, y quite la tapadera del motor (B).
2. Los cepillos se encuentran en dos sujetadores (C) Fig. 46. Quite el conector de terminal de tipo pala (D), y saque los sujetadores de cepillos (C).
3. La Fig. 47 ilustra uno de los cepillos (E) removido del sujetador (C). Cuando el carbón en cualquiera de los cepillos (E) se ha desgastado a 3/16 pulg. de extensión o si cualquier resorte (F) o alambre de desviación está quemado o dañado de cualquier manera, reemplace ambos cepillos. Si los cepillos están servibles después de haber sido quitados, vuelva a instalarlos en la misma posición en que fueron quitados.

## MANTENGA LAS HERRAMIENTAS LIMPIAS

Periódicamente sople todos los conductos de ventilación con aire seco a presión. Todas las partes de plástico deben ser limpiadas con una tela suave y húmeda. NUNCA use solventes para limpiar las partes de plástico. Es posible que puedan disolver o de otra manera dañar el material.

**▲ ADVERTENCIA** USE ANSI Z87.1 ANTEOJOS DE SEGURIDAD CUANDO USE AIRE A PRESIÓN.

## FALLA DE PONERSE EN MARCHA

Si su herramienta falla de ponerse en marcha, revísela para asegurarse de que los contactos de la clavija estén en buen contacto con el tomacorriente. También, vea si hay fusibles fundidos o ruptores abiertos en el circuito.

# LOCALIZACION DE FALLAS

## SUIVRE LES RÈGLES ET CONSIGNES DE SÉCURITÉ

### PROBLÈME! LA SCIE NE DÉMARRE PAS

#### QUEL EST LE PROBLÈME ?

1. Scie non branchée.
2. Fusible grillé ou disjoncteur déclenché.
3. Cordon endommagé.
4. Brosses usées.

#### QUE FAIRE...

1. Brancher la scie.
2. Remplacer le fusible ou réinitialiser le disjoncteur.
3. Faire remplacer le cordon par un centre de réparation agréé.
4. Faire remplacer les brosses par un centre de réparation agréé.

### PROBLÈME! LES DÉCOUPES EFFECTUÉES PAR LA SCIE NE SONT PAS SATISFAISANTES

#### QUEL EST LE PROBLÈME ?

1. Lame émoussée.
2. Lame montée à l'envers.
3. Gomme ou résine sur la lame.
4. Lame inadéquate pour le travail effectué

#### QUE FAIRE...

1. Remplacer la lame.
2. Inverser la lame.
3. Retirer la lame et la nettoyer avec de la térébenthine.
4. Changer la lame.

### PROBLÈME! LA LAME N'ATTEINT PAS SON PLEIN RÉGIME

#### QUEL EST LE PROBLÈME ?

1. La rallonge est trop légère ou trop longue.
2. Courant domestique trop faible.

#### QUE FAIRE...

1. La rallonger par une rallonge de taille adéquate.
2. Contacter votre fournisseur d'électricité.

### PROBLÈME! LA MACHINE VIBRE DE MANIÈRE EXCESSIVE

#### QUEL EST LE PROBLÈME ?

1. La scie n'est pas correctement fixée.
2. Le tréteau ou l'établi est sur un sol
3. Lame de scie endommagée.

#### QUE FAIRE...

1. Bien visser tout le matériel d'assemblage.
2. Le irrégulie repositionner sur une surface plane.
3. Remplacer la lame.

### PROBLÈME! LES COUPES À ONGLET MANQUENT DE PRÉCISION

#### QUEL EST LE PROBLÈME ?

1. L'échelle d'onglet n'est pas correctement réglée.
2. La lame n'est pas d'équerre par rapport au guide.
3. La lame n'est pas perpendiculaire à la table.
4. La pièce à couper se déplace.

#### QUE FAIRE...

1. Vérifier et régler.
2. Vérifier et régler.
3. Vérifier et régler le guide.
4. La fixer au guide ou coller du papier abrasif de calibre 120 sur le guide à l'aide de colle de caoutchouc.

### PROBLÈME! LE MATÉRIAU PINCE LA LAME

#### QUEL EST LE PROBLÈME ?

1. Découpe de matériau arqué.

#### QUE FAIRE...

1. Positionner le matériau arqué comme indiqué à la Figure 36.

## SERVICIO



### PIEZAS, SERVICIO O ASISTENCIA DE GARANTÍA

Todas las máquinas y accesorios Delta se fabrican conforme a altos estándares de calidad y reciben servicio de una red de Centros de Servicio de Fábrica Porter-Cable • Delta y Estaciones de Servicio Autorizado Delta. Para obtener la información adicional con respecto a su producto de calidad del delta o para obtener piezas, el servicio, la ayuda de la garantía, o la localización del tomacorriente para servicio más cercano, llaman por favor 1-800-223-7278 (en la llamada 1-800-463-3582 de Canadá).

## ACCESORIOS

Una línea completa de accesorios está disponible de su surtidor de Porter-Cable • Delta, centros de servicio de la fábrica de Porter-Cable • Delta, y estaciones autorizadas delta. Visite por favor nuestro Web site [www.deltamachinery.com](http://www.deltamachinery.com) para un catálogo o para el nombre de su surtidor más cercano.

**⚠ ADVERTENCIA** Puesto que los accesorios con excepción de éstos ofrecidos por Delta no se han probado con este producto, el uso de tales accesorios podría ser peligroso. Para la operación más segura, solamente el delta recomendó los accesorios se debe utilizar con este producto.

## GARANTIA



### Garantía limitada de dos años para productos nuevos

Delta reparará o reemplazará, a expensas y opción propias, cualquier máquina nueva, pieza de máquina nueva o accesorio de máquina nuevo Delta que durante el uso normal haya presentado defectos de fabricación o de material, siempre que el cliente devuelva el producto con el transporte prepagado a un centro de servicio de fábrica Delta o una estación de servicio autorizado Delta, con un comprobante de compra del producto, dentro del plazo de dos años y dé a Delta una oportunidad razonable de verificar el supuesto defecto mediante la realización de una inspección. Para todos los productos Delta reacondicionados, el período de garantía es de 180 días. Delta podrá requerir que los motores eléctricos sean devueltos con el transporte prepagado a una estación autorizada de un fabricante de motores para ser sometidos a inspección y reparación o para ser reemplazados. Delta no será responsable de ningún defecto alegado que haya resultado del desgaste normal, uso indebido, abuso o reparación o alteración realizada o autorizada específicamente por alguien que no sea un centro de servicio autorizado Delta o un representante autorizado Delta. Delta no será responsable en ninguna circunstancia de los daños incidentales o emergentes que se produzcan como resultado de productos defectuosos. Esta garantía es la única garantía de Delta y establece el recurso exclusivo del cliente en lo que respecta a los productos defectuosos; Delta rechaza expresamente todas las demás garantías, expresas o implícitas, tanto de comerciabilidad como de idoneidad para un propósito o de cualquier otro tipo.

# Scie électrique à onglets mixtes de 254 mm (10 po) (modèle SM100M)

MODE D'EMPLOI



90513776 1-07  
Copyright © 2007 Delta Machinery



Pour en savoir plus à propos de DELTA MACHINERY  
consulter le site Web au : [www.deltamachinery.com](http://www.deltamachinery.com).

Pour des pièces, réparations, garantie ou toute autre demande d'aide  
veuillez composer le 1-800-223-7278 (au Canada, composer le 1-800-463-3582).

# DIRECTIVES DE SÉCURITÉ IMPORTANTES

**▲ AVERTISSEMENT** Lisez et comprenez tous les avertissements et directives d'utilisation avant d'utiliser un outil ou un équipement. Lorsque vous utilisez des outils ou un équipement, des précautions de base en matière de sécurité doivent être suivies afin de réduire le risque de blessure personnelle. Un fonctionnement, un entretien ou une modification inappropriés des outils ou de l'équipement pourraient résulter en de graves blessures ou en des dommages à la propriété. Certaines applications sont conçues pour des outils et de l'équipement spécifiques.

Delta Machinery recommande fortement de NE PAS modifier ce produit ou de NE PAS l'utiliser pour une application autre que celle pour laquelle il a été conçu.

Si vous avez des questions à propos de son utilisation, N'utilisez PAS le produit avant de communiquer avec Delta Machinery et d'obtenir nos conseils.

Pour communiquer par Internet, un formulaire est disponible en ligne au [www.deltamachinery.com](http://www.deltamachinery.com)

Par courrier : Directeur du service technique

Delta Machinery

4825 Highway 45 North

Jackson, TN 38305 É.-U.

(AU CANADA : 125, rue Mural, bureau 300, Richmond Hill, ON, L4B 1M4)

Des informations, indiquant comment utiliser cet outil correctement et en toute sécurité, sont disponibles auprès des sources suivantes :

Power Tool Institute

1300 Sumner Avenue, Cleveland, OH 44115-2851

[www.powertoolinstitute.org](http://www.powertoolinstitute.org)

National Safety Council

1121 Spring Lake Drive, Itasca, IL 60143-3201 É.-U.

American National Standards Institute, 25 West 43rd Street, 4 floor, New York, NY 10036 É.-U. [www.ansi.org](http://www.ansi.org)

La norme ANSI O1,1 concernant les machines de travail du bois ainsi que la réglementation du département américain du travail Department of Labor regulations [www.osha.gov](http://www.osha.gov)

**CONSERVER CES DIRECTIVES !**

# LIGNES DIRECTRICES EN MATIÈRE DE SÉCURITÉ – DÉFINITIONS

Il est important que vous lisiez et compreniez ce mode d'emploi. Les informations qu'il contient concernent VOTRE SÉCURITÉ et visent à ÉVITER TOUT PROBLÈME. Les symboles ci-dessous servent à vous aider à reconnaître cette information.



- ▲ DANGER** Indique une situation dangereuse imminente qui, si elle n'est pas évitée, causera la mort ou des graves blessures.
- ▲ AVERTISSEMENT** Indique une situation potentiellement dangereuse qui, si elle n'est pas évitée, pourrait causer la mort ou de graves blessures.
- ▲ ATTENTION** Indique une situation potentiellement dangereuse qui, si elle n'est pas évitée, pourrait causer des blessures mineures ou modérées.
- ATTENTION** Utilisé sans le symbole d'alerte à la sécurité, indique une situation potentiellement dangereuse qui, si elle n'est pas évitée, peut résulter en des dommages à la propriété.

## PROPOSITION 65 DE LA CALIFORNIE

**▲ AVERTISSEMENT** Certaines poussières produites par les activités de ponçage, de sciage, de meulage, de perçage et autres activités de construction peuvent contenir des produits chimiques pouvant causer le cancer, des anomalies congénitales ou d'autres problèmes liés aux fonctions reproductrices. Voici quelques exemples de ces produits chimiques :

- le plomb contenu dans les peintures à base de plomb;
- la silice cristalline de la brique, du ciment et d'autres produits de maçonnerie ; et
- l'arséniat de cuivre et de chrome provenant du bois traité chimiquement.

Les risques reliés à l'exposition à ces poussières varient selon la fréquence à laquelle l'utilisateur travaille avec ce type de matériaux. Pour réduire votre exposition à ces produits chimiques, travaillez dans un endroit bien ventilé et portez un équipement de sécurité approuvé comme un masque anti-poussières conçu spécialement pour filtrer les particules microscopiques.

- Éviter le contact prolongé avec les poussières produites par les activités de ponçage, sciage, meulage, perçage et autres activités de construction. Porter des vêtements de protection et laver les parties du corps exposées avec une solution d'eau et de savon. Le fait de laisser la poussière pénétrer dans la bouche et les yeux ou de la laisser reposer sur la peau, peut promouvoir l'absorption de produits chimiques nocifs.

**L'utilisation de cet outil peut produire et/ou disperser de la poussière, ce qui peut causer des problèmes respiratoires graves et permanents ou d'autres problèmes médicaux.** Toujours porter un appareil respiratoire approuvé par la NIOSH/OSHA pour se protéger de la poussière. Diriger les particules loin du visage et du corps.

**Porter un dispositif de protection anti-bruit pendant l'utilisation de l'outil.** Dans certaines conditions et selon la durée d'utilisation, le bruit provoqué par ce produit peut contribuer à une perte auditive.

Pour plus de commodité et de sécurité, les étiquettes de sécurité suivantes sont apposées sur votre scie à onglet.

### **SUR LE BOÎTIER DU MOTEUR :**

**AVERTISSEMENT : POUR SA PROPRE SÉCURITÉ, LIRE LE MODE D'EMPLOI AVANT D'UTILISER LA SCIE. EN CAS DE RÉPARATION, UTILISER UNIQUEMENT DES PIÈCES DE RECHANGE IDENTIQUES. TOUJOURS PORTER UNE PROTECTION OCULAIRE.**

**▲ ATTENTION**

### **SUR LE GUIDE :**

**FIXER LES PETITES PIÈCES AVANT DE LES COUPER. VOIR LE MODE D'EMPLOI.**



CLAMP SMALL PIECES  
BEFORE CUTTING. SEE MANUAL.

**SUR LE PARE-MAIN : DANGER - RESTER À L'ÉCART DE LA LAME.**

**DANGER**

KEEP AWAY  
FROM BLADES



**SUR LA TABLE  
(2 EMPLACEMENTS)**



**▲ ADVERTENCIA** NE PAS EXPOSER À LA PLUIE NI L'UTILISER DANS UN ENDROIT HUMIDE.

**SUR LA PLAQUE DU PARE-MAIN :** AFIN DE RÉDUIRE LE RISQUE DE BLESSURES, LIRE LE MODE D'EMPLOI AVANT L'UTILISATION DE LA SCIE À ONGLET. POUR LA RÉPARATION, UTILISER UNIQUEMENT DES PIÈCES DE RECHANGE IDENTIQUES. NE PAS L'EXPOSER À LA PLUIE ET NE PAS L'UTILISER DANS UN ENDROIT HUMIDE. TOUJOURS UTILISER UNE PROTECTION OCULAIRE ET RESPIRATOIRE ADÉQUATE. UTILISER UNIQUEMENT DES LAMES DE SCIE DE 254 MM (10 PO) RECOMMANDÉES POUR DES VITESSES DE 5200 TR/MIN OU PLUS AVEC UN AXE DE 159 MM (5/8 PO). GARDER LES MAINS HORS DE LA TRAJECTOIRE DE LA LAME DE LA SCIE. NE PAS FAIRE FONCTIONNER LA SCIE SANS QUE LE PARE-MAIN SOIT EN PLACE. VÉRIFIER, AVANT CHAQUE USAGE, QUE LE PARE-MAIN INFÉRIEUR SE FERME BIEN. TOUJOURS BIEN SERRER LES POIGNÉES DE RÉGLAGES AVANT UTILISATION. EFFECTUER TOUTE OPÉRATION EN TENANT L'OUTIL DES DEUX MAINS. NE JAMAIS PASSER LES MAINS À L'ARRIÈRE DE LA LAME DE LA SCIE. NE JAMAIS PASSER LES BRAS DEVANT LA LAME. ÉTEINDRE L'OUTIL ET ATTENDRE L'ARRÊT DE LA LAME DE LA SCIE AVANT DE DÉPLACER LA PIÈCE, DE MODIFIER LES RÉGLAGES OU DE DÉPLACER LES MAINS. DÉBRANCHER LA SCIE AVANT DE REMPLACER UNE LAME OU PROCÉDER À UNE RÉPARATION. POUR RÉDUIRE LE RISQUE DE BLESSURES, RAMENER LE CHARIOT COMPLÈTEMENT À L'ARRIÈRE APRÈS CHAQUE COUPE TRANSVERSALE. IL SUFFIT DE RÉFLÉCHIR ! DES ACCIDENTS PEUVENT ÊTRE ÉVITÉS.



# RÈGLES GÉNÉRALES DE SÉCURITÉ



**AVERTISSEMENT**

**LIRE ATTENTIVEMENT TOUTES LES MISES EN GARDE ET DIRECTIVES D'UTILISATION AVANT D'UTILISER CET ÉQUIPEMENT. À défaut de suivre les directives sous mentionnées, un choc électrique, un incendie, des dommages ou une blessure corporelle grave pourraient survenir.**

## DIRECTIVES DE SÉCURITÉ IMPORTANTES

- 1. POUR SA PROPRE SÉCURITÉ, LIRE ET COMPRENDRE LE MODE D'EMPLOI AVANT D'UTILISER LA MACHINE.** L'apprentissage de l'utilisation de cet outil, des restrictions, et des risques qui lui sont propres réduit grandement la possibilité d'accidents et de blessures.
- 2. UTILISER UN ÉQUIPEMENT DE SÉCURITÉ HOMOLOGUÉ.** Votre protection oculaire doit être conforme aux normes ANSI Z87.1, vos protecteurs auditifs aux normes ANSI S3.19, et votre masque anti-poussières aux normes homologuées MSHA/NIOSH. Les éclats de bois, débris en suspension dans l'air, et poussières peuvent provoquer des irritations, blessures et/ou maladies.
- 3. S'HABILLER DE MANIÈRE APPROPRIÉE.** Ne pas porter de cravate, gants, ou vêtements amples. Retirer montre, bagues, et autres bijoux. Relever les manches. Les vêtements ou bijoux coincés dans les pièces mobiles peuvent provoquer des blessures.
- 4. NE PAS UTILISER CET OUTIL DANS UN ENVIRONNEMENT DANGEREUX.** L'utilisation d'outils électriques dans un endroit humide ou mouillé ou sous la pluie peut provoquer un choc électrique ou une électrocution. Tenir la zone de travail bien éclairée pour éviter de trébucher ou de mettre vos bras, mains et doigts en danger.
- 5. CONSERVER TOUS LES OUTILS ET MACHINES DANS LE MEILLEUR ÉTAT POSSIBLE.** S'assurer que vos outils sont aiguisés et propres afin d'optimiser sécurité et performance. Suivre les consignes de graissage et de changement d'accessoires. Les outils et machines mal entretenus peuvent s'endommager davantage et/ou provoquer des blessures.
- 6. VÉRIFIER QUE LES PIÈCES NE SONT PAS ENDOMMAGÉES.** Avant d'utiliser la machine, vérifiez qu'aucune pièce n'est endommagée. Vérifier l'alignement des pièces mobiles, la présence de grippage des pièces mobiles, de rupture de pièces et tout autre problème pouvant nuire au fonctionnement de l'outil. Un pare-main, ou tout autre pièce, endommagé doit être réparé et remplacé adéquatement. Les pièces endommagées peuvent contribuer à endommager davantage la machine et/ou provoquer des blessures.
- 7. GARDER PROPRE LA ZONE DE TRAVAIL.** Les zones et établis encombrés sont souvent des causes d'accidents.
- 8. ÉLOIGNER LES ENFANTS ET LES VISITEURS.** Votre atelier représente un environnement potentiellement dangereux. Les enfants et visiteurs peuvent être blessés.
- 9. RÉDUIRE LE RISQUE DE DÉMARRAGE ACCIDENTEL.** S'assurer que l'interrupteur se trouve sur la position d'arrêt avant de brancher le cordon d'alimentation. En cas de panne de courant, mettre l'interrupteur sur la position d'arrêt. Un démarrage accidentel peut provoquer des blessures.
- 10. UTILISER LE DISPOSITIF DE PROTECTION.** Vérifiez que toutes les protections sont en place, fixées, et qu'elles fonctionnent correctement afin d'éviter toute blessure.
- 11. RETIRER LES CLÉS ET LES CLÉS DE RÉGLAGE AVANT DE DÉMARRER LA MACHINE.** Des outils, chutes, et autres débris peuvent être projetés à grande vitesse, provoquant des blessures.
- 12. UTILISER L'OUTIL APPROPRIÉ.** Ne pas forcer un outil ou un accessoire à effectuer un travail pour lequel il n'a pas été conçu. Dans le cas contraire, l'outil peut être endommagé et/ou vous pouvez être blessé.
- 13. UTILISER LES ACCESSOIRES RECOMMANDÉS.** L'utilisation d'accessoires non recommandés par Delta peut endommager la machine ou provoquer des blessures corporelles.
- 14. UTILISER LA RALLONGE ÉLECTRIQUE APPROPRIÉE.** S'assurer que la rallonge est en bon état. Lorsque qu'une rallonge électrique est utilisée, s'assurer d'en utiliser une de calibre suffisamment élevé pour assurer le transport du courant nécessaire au fonctionnement de votre appareil. Un cordon de calibre inférieur causera une chute de tension de ligne et donc une perte de puissance et une surchauffe. Se reporter au tableau des rallonges électriques pour connaître le calibre approprié à utiliser selon la longueur de la rallonge et l'intensité nominale de la plaque signalétique. En cas de doute, utiliser le calibre suivant le plus gros. Plus le numéro de calibre est petit, plus le cordon est lourd.
- 15. FIXER LA PIÈCE.** Utiliser des fixations ou un étau pour maintenir l'ouvrage lorsque c'est possible. La perte de contrôle de l'ouvrage peut provoquer des blessures.
- 16. INSÉRER L'OUVRAGE À CONTRE-COURANT DU SENS DE ROTATION DE LA LAME, DE LA FRAISE, OU DE LA SURFACE ABRASIVE.** En insérant l'ouvrage dans l'autre sens, celui-ci serait projeté à grande vitesse.
- 17. NE PAS FORCER LA PIÈCE SUR LA MACHINE.** Dans le cas contraire, l'outil peut être endommagé et/ou vous pouvez être blessé.
- 18. NE PAS TROP TENDRE LES BRAS.** Une perte d'équilibre peut vous faire tomber sur une machine en fonctionnement, et vous pouvez être blessé.
- 19. NE JAMAIS SE TENIR DEBOUT SUR LA MACHINE.** Si l'outil bascule, ou si vous touchez accidentellement l'outil de coupe, vous pouvez être blessé.
- 20. NE JAMAIS LAISSER LA MACHINE FONCTIONNER SANS SURVEILLANCE. ÉTEINDRE L'APPAREIL.** Ne pas laisser la machine tant qu'elle n'est pas complètement arrêtée. Un enfant ou un visiteur pourrait être blessé.
- 21. ÉTEINDRE L'APPAREIL ET LE DÉBRANCHER AVANT DE POSER OU DE RETIRER TOUT ACCESSOIRE,** avant d'ajuster ou de modifier les réglages, ou lors de réparations. Un démarrage accidentel peut provoquer des blessures.
- 22. S'ASSURER QUE L'ATELIER NE PRÉSENTE PAS DE DANGER POUR LES ENFANTS EN UTILISANT DES CADENAS, DES INTERRUPTEURS PRINCIPAUX, OU EN RETIRANT LES CLÉS DE DÉMARRAGE.** En démarrant accidentellement une machine, un enfant ou un visiteur pourrait se blesser.
- 23. ÊTRE VIGILANT, SURVEILLER LE TRAVAIL EFFECTUÉ, ET FAIRE PREUVE DE JUGEMENT. NE PAS UTILISER LA MACHINE EN CAS DE FATIGUE OU SOUS L'INFLUENCE DE DROGUES, D'ALCOOL, OU DE MÉDICAMENTS.** Un moment d'inattention, lorsque vous utilisez un outil électrique, peut entraîner des blessures.
- 24. LA POUSSIÈRE PRODUITE** par certains bois et produits en bois peut nuire à votre santé. Utilisez toujours les machines dans un endroit bien aéré, et veillez à le dépoussiérer correctement. Utilisez des systèmes de dépoussiérage lorsque c'est possible.

# RÈGLES DE SÉCURITÉ SPÉCIFIQUES SUPPLÉMENTAIRES



## AVERTISSEMENT

**LIRE ATTENTIVEMENT TOUTES LES MISES EN GARDE ET DIRECTIVES D'UTILISATION AVANT D'UTILISER CET ÉQUIPEMENT. À défaut de suivre les directives sous mentionnées, un choc électrique, un incendie, des dommages ou une blessure corporelle grave pourraient survenir.**

- NE PAS FAIRE FONCTIONNER CETTE MACHINE** avant qu'elle ne soit entièrement assemblée et installée conformément à ces directives. Une machine mal assemblée peut provoquer des blessures graves.
- DEMANDER CONSEIL** à un superviseur, instructeur, ou toute autre personne qualifiée si vous ne maîtrisez pas parfaitement l'utilisation de cette machine. La connaissance est synonyme de sécurité.
- SUIVRE TOUS LES CODES DE CÂBLAGE** et les connexions électriques recommandées afin d'éviter tout choc électrique ou électrocution.
- FIXER LA MACHINE SUR UNE SURFACE DE SUPPORT.** Les vibrations sont susceptibles de faire glisser, « marcher », ou basculer la machine, ce qui peut provoquer des blessures graves.
- UTILISER SEULEMENT DES LAMES POUR COUPES TRANSVERSALES.** Utilisez uniquement des angles de coupe de zéro degré ou négatifs lors de l'utilisation de lames à pointes carburées. Ne pas utiliser des lames à dents très espacées. Celles-ci peuvent entrer en contact et faire dévier le pare-main, et peuvent endommager la machine et/ou provoquer des blessures graves.
- UTILISER SEULEMENT DES LAMES DE DIMENSION ET DE TYPE APPROPRIÉS** prévues pour cet outil, pour éviter des dommages à la machine et/ou des blessures graves.
- UTILISER UNE LAME AIGUISÉE.** Vérifier que la lame fonctionne bien dans l'axe et qu'elle ne vibre pas. Une lame émoussée ou une lame qui vibre peut endommager la machine et/ou provoquer des blessures graves.
- INSPECTER LA LAME À LA RECHERCHE DE FISSURES** ou autre dommage avant utilisation. Une lame fissurée ou endommagée peut se détacher et des fragments peuvent être projetés à grande vitesse, ce qui peut provoquer des blessures graves. Remplacer les lames fissurées ou endommagées immédiatement.
- NETTOYER LA LAME ET LES BRIDES DE LA LAME** avant utilisation. Le nettoyage de la lame et des brides vous permet de vérifier que la lame ou les brides ne sont pas endommagées. Une lame ou une bride fissurée ou endommagée peut se détacher et des fragments peuvent être projetés à grande vitesse, ce qui peut provoquer des blessures graves.
- UTILISER UNIQUEMENT DES BRIDES DE LAME** prévues pour cet outil afin d'éviter d'endommager la machine et/ou de provoquer des blessures graves.
- S'ASSURER QUE L'ESPACE DE TRAVAIL NE CONTIENT AUCUN LIQUIDE INFLAMMABLE** ou de gaz avant utilisation. Des étincelles peuvent se produire, qui enflammeraient les liquides et provoqueraient un incendie ou une explosion.
- DÉGAGER LES ÉVÉNEMENTS** de toute saleté ou copeau. Des événements obstrués peuvent provoquer la surchauffe de la machine, ce qui l'endommagerait et provoquerait peut-être un court-circuit qui pourrait engendrer des blessures graves.
- SERRER FERMEMENT LA POIGNÉE DE FIXATION À LA TABLE** et autres brides de fixation avant utilisation. Si les brides sont lâches, des pièces ou encore l'ouvrage peuvent être projetés à grande vitesse.
- NE JAMAIS DÉMARRER L'OUTIL** avec la lame contre l'ouvrage. L'ouvrage pourrait être projeté, provoquant des blessures graves.
- TENIR LES BRAS, LES MAINS,** et les doigts éloignés de la lame afin d'éviter des coupures graves. Fixer toutes les pièces à cause desquelles vous pourriez déplacer vos mains dans la « Zone à risque de la table » (délimitée par les lignes rouges).
- LAISSER LE MOTEUR** atteindre son plein régime avant de commencer la coupe. Si vous commencez à couper trop tôt, ceci peut endommager la machine ou la lame et/ou provoquer des blessures graves.
- LORS DE L'UTILISATION D'UNE SCIE COULISSANTE À ONGLETS, VERROUILLER LE MÉCANISME COULISSANT EN PLACE.** Si le mécanisme coulissant n'est pas verrouillé, la scie peut se retourner et vous percuter.
- NE PAS LAISSER LES MAINS AUTOUR** de la lame ou derrière celle-ci. Une lame mobile peut provoquer des blessures graves.
- NE JAMAIS COUPER DE MÉTAUX FERREUX** ou d'éléments de maçonnerie. En coupant l'un ou l'autre de ces matériaux, les pointes carburées peuvent se détacher de la lame à grande vitesse, provoquant des blessures graves.
- NE JAMAIS COUPER DE PETITES PIÈCES.** En essayant de couper des petites pièces (où vos mains sont à moins de 15,3 cm (6 po) de la lame de scie), vous pouvez être amené à déplacer vos mains jusque sur la lame, et être gravement blessé.
- NE JAMAIS VERROUILLER L'INTERRUPTEUR** en position de marche. En préparant la coupe suivante, vous pouvez être amené à déplacer vos mains jusque sur la lame, et être gravement blessé.
- NE JAMAIS APPLIQUER DE LUBRIFIANT** sur une lame en fonctionnement. Pour appliquer du lubrifiant, vous pouvez être amené à déplacer vos mains jusque sur la lame, et être gravement blessé.
- N'EFFECTUER AUCUNE OPÉRATION MAINS LIBRES** (sur du bois qui n'est pas fixé solidement contre le guide longitudinal ou la table). Tenir l'ouvrage fermement contre le guide et la table. Si vous tentez d'effectuer une opération mains libres avec une scie à onglets, l'ouvrage pourrait être projeté à grande vitesse, provoquant des blessures graves. Utiliser des brides pour maintenir l'ouvrage lorsque c'est possible.
- SOUTENIR CORRECTEMENT LES OUVRAGES LONGS** ou larges. La perte de contrôle de l'ouvrage peut provoquer des graves blessures.
- APRÈS AVOIR TERMINÉ UNE COUPE,** relâcher le commutateur d'alimentation et attendre que la lame, qui continue de tourner après l'arrêt de la scie, s'immobilise complètement avant de relever la scie. Une lame mobile peut provoquer des blessures graves.
- ÉTEINDRE LA MACHINE** et laisser la lame s'immobiliser complètement avant de nettoyer autour de la lame ou d'enlever les débris dans la trajectoire de la lame. Une lame mobile peut provoquer des blessures graves.
- ÉTEINDRE LA MACHINE** et laisser la lame s'immobiliser complètement avant d'enlever ou de fixer un ouvrage, de modifier l'angle d'inclinaison de l'ouvrage ou de la lame. Une lame mobile peut provoquer des blessures graves.
- SOUTENIR CORRECTEMENT les ouvrages LONGS OU LARGES.** La perte de contrôle de l'ouvrage peut provoquer des blessures.
- NE JAMAIS EFFECTUER D'OPÉRATION DE TRAÇAGE, D'ASSEMBLAGE, OU DE RÉGLAGE** sur la table/l'espace de travail lorsque la machine est en marche. En glissant inopinément, votre main pourrait percuter la scie. Des blessures graves pourraient survenir.
- ÉTEINDRE LA MACHINE, LA DÉBRANCHER,** et nettoyer la table/l'espace de travail avant de laisser la machine.
- VERROUILLER L'INTERRUPTEUR EN POSITION D'ARRÊT AFIN D'ÉVITER** toute utilisation non autorisée. Il se peut que quelqu'un démarre accidentellement la machine et se blesse.
- AVANT D'UTILISER LA SCIE,** vérifier et bien verrouiller les réglages du biseau, des onglets et du guide coulissant.
- LA TÊTE DE COUPE DOIT RETOURNER RAPIDEMENT À LA POSITION ÉLEVÉE.** En cas de défaillance, le protège-lame inférieur ne fonctionnera pas correctement et pourrait provoquer une blessure corporelle. Consulter la rubrique « Réglage de la vitesse de retour de la tête de coupe » du mode d'emploi.
- DES INFORMATIONS SUPPLÉMENTAIRES** (i.e. une vidéo sur la sécurité), indiquant comment utiliser des outils électriques correctement et en toute sécurité, sont disponibles auprès du Power Tool Institute, 1300 Sumner Avenue, Cleveland, OH 44115-2851, États-Unis ([www.powertoolinstitute.com](http://www.powertoolinstitute.com)). Des informations sont également disponibles auprès du National Safety Council, 1121 Spring Lake Drive, Itasca, IL 60143-3201 E.-U. Se reporter à la norme ANSI 01.01 de l'American National Standards Institute concernant les machines de travail du bois, ainsi que la réglementation du département américain du travail.

## CONSERVER CES DIRECTIVES.

Consultez-les souvent et utilisez-les pour donner des directives aux autres.

## CONNEXIONS ÉLECTRIQUES

Un circuit électrique séparé doit être utilisé pour vos machines. Ce circuit doit utiliser un câble de calibre 12 au minimum et doit être protégé par un fusible temporisé de 20 A. Si vous utilisez une rallonge électrique, n'utiliser que des rallonges à 3 fils pourvues d'une fiche de mise à la terre à 3 lames et un réceptacle correspondant à la fiche de la machine. Avant de brancher la machine sur le secteur, s'assurer que le ou les interrupteurs sont en position d'arrêt et veiller à ce que le courant électrique ait bien les mêmes caractéristiques que celles indiquées sur la machine. Tous les branchements doivent établir un bon contact. Si la machine fonctionne à basse tension, elle peut être endommagée.

**⚠ AVERTISSEMENT RISQUE DE CHOC ÉLECTRIQUE. NE PAS EXPOSER LA MACHINE À LA PLUIE NI L'UTILISER DANS UN ENDROIT HUMIDE.**

## DIRECTIVES DE MISE À LA TERRE

**⚠ AVERTISSEMENT RISQUE DE CHOC ÉLECTRIQUE. CETTE MACHINE DOIT ÊTRE MISE À LA TERRE LORS DE SON UTILISATION AFIN DE PROTÉGER L'UTILISATEUR CONTRE TOUT CHOC ÉLECTRIQUE.**

Votre machine est conçue pour être alimentée par un courant alternatif de 120 volts et 60 Hz. Avant de brancher la machine à la source d'alimentation, s'assurer que l'interrupteur est en position d'arrêt.

### 1. Pour toutes les machines mises à la terre, branchées à un cordon d'alimentation :

En cas de défaillance ou de panne, la mise à la terre permet un cheminement de moindre résistance pour le courant électrique afin de réduire le risque de choc électrique. Cette machine est munie d'un cordon d'alimentation doté d'un conducteur de mise à la terre d'équipement et d'une fiche de mise à la terre. La fiche doit être branchée sur une prise de courant correspondante qui est installée et mise à la terre conformément à tous les codes et à toutes les ordonnances à l'échelle locale.

Ne pas modifier la fiche fournie; si elle ne s'insère pas dans la prise de courant, faire installer une prise appropriée par un électricien professionnel.

Si le conducteur de mise à la terre d'équipement n'est pas correctement connecté, ceci peut provoquer un choc électrique. Le conducteur de mise à la terre d'équipement est le conducteur avec isolation qui a une surface extérieure verte à rayures jaunes (ou sans). S'il est nécessaire de faire réparer ou remplacer le cordon électrique ou la fiche, ne pas connecter le conducteur de mise à la terre d'équipement à une borne sous tension.

Vérifier auprès d'un électricien ou d'un personnel de réparation professionnels si les directives de mise à la terre ne sont pas parfaitement comprises, ou en cas de doute sur le fait que la machine soit correctement mise à la terre ou non.

Utiliser uniquement une rallonge à 3 fils pourvue d'une fiche de mise à la terre à 3 lames et une prise à 3 conducteurs correspondant à la fiche de la machine, comme le montre la fig. A.

Réparer ou remplacer immédiatement le cordon s'il est endommagé ou usé.

### 2. Pour les machines mises à la terre et branchées à un cordon d'alimentation utilisées sur un circuit d'alimentation de régime nominal inférieur à 150 V :

Si la machine est utilisée sur un circuit dont la prise de courant ressemble à celle de la figure A, la machine aura alors une fiche de mise à la terre semblable à celle de la figure A. Un adaptateur temporaire, qui ressemble à celui de la figure B, peut être utilisé pour connecter cette fiche à une prise à 2 conducteurs, comme le montre la figure B, s'il n'existe aucune prise de courant correctement mise à la terre. L'adaptateur temporaire ne doit être utilisé que jusqu'à ce qu'un électricien qualifié puisse installer une prise électrique correctement mise à la terre. L'oreille rigide et la cosse de couleur verte (et tout ensemble semblable) dépassant de l'adaptateur doivent être connectées à une mise à la terre permanente, telle qu'une prise correctement mise à la terre. Chaque fois que l'adaptateur est utilisé, il doit être maintenu en place par une vis métallique.

**REMARQUE : au Canada, l'utilisation d'un adaptateur temporaire n'est pas autorisée par le Code électrique canadien.**

**⚠ AVERTISSEMENT RISQUE DE CHOC ÉLECTRIQUE. DANS TOUS LES CAS, S'ASSURER QUE LA PRISE DE COURANT EN QUESTION EST CORRECTEMENT MISE À LA TERRE. SI VOUS N'EN ÊTES PAS SÛR, DEMANDEZ À UN**

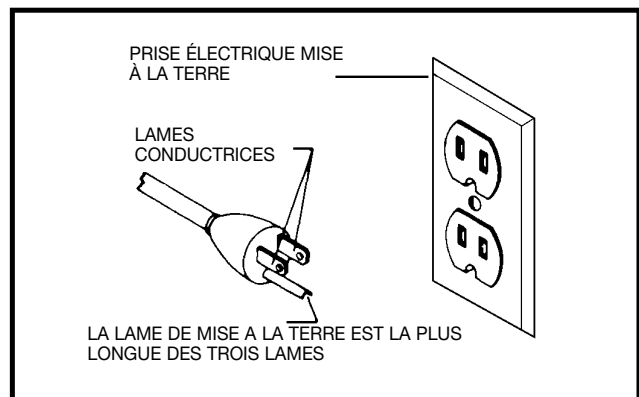


Fig. A

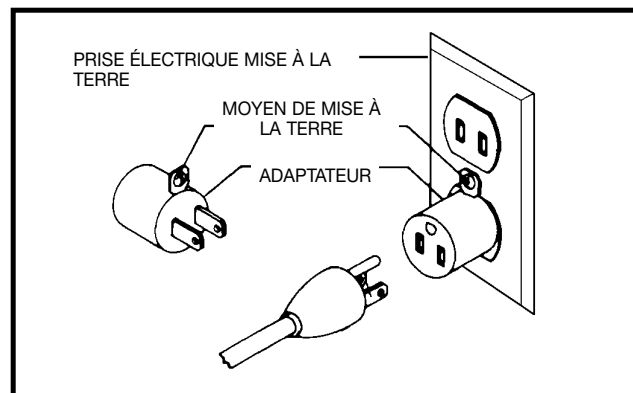


Fig. B

## RALLONGES ÉLECTRIQUES

**⚠ AVERTISSEMENT** Utiliser les rallonges électriques appropriées. S'assurer que la rallonge est en bon état et qu'il s'agit d'une rallonge à 3 fils avec une fiche de mise à la terre à 3 lames et prise de courant compatible avec la fiche de la machine. Lorsque qu'une rallonge électrique est utilisée, s'assurer d'en utiliser une de calibre suffisamment élevé pour assurer le transport du courant de la machine. Un cordon de calibre inférieur causera une chute de tension de ligne et donc une perte de puissance et une surchauffe. La fig. C montre le calibre correct à utiliser selon la longueur de la rallonge. En cas de doute, utiliser le calibre suivant le plus gros. Plus le numéro de calibre est petit, plus le cordon est lourd.

Fig. C

<b>RALLONGE DE CALIBRE MINIMUM</b>			
CALIBRES RECOMMANDÉS POUR UNE UTILISATION AVEC DES MACHINES			
ÉLECTRIQUES D'ÉTABLI			
Intensité nominale	Volts	Longueur totale du cordon en pieds	Calibre de la rallonge
0-6	120	jusqu'à 25	18 AWG
0-6	120	25-50	16 AWG
0-6	120	50-100	16 AWG
0-6	120	100-150	14 AWG
6-10	120	jusqu'à 25	18 AWG
6-10	120	25-50	16 AWG
6-10	120	50-100	14 AWG
6-10	120	100-150	12 AWG
10-12	120	jusqu'à 25	16 AWG
10-12	120	25-50	16 AWG
10-12	120	50-100	14 AWG
10-12	120	100-150	12 AWG
12-16	120	jusqu'à 25	14 AWG
12-16	120	25-50	12 AWG
12-16	120	SUPÉRIEURE À 50 PIEDS NON RECOMMANDÉE	

## DESCRIPTION FONCTIONNELLE

### AVANT-PROPOS

Le modèle SM100M ShopMaster est une scie électrique à onglets mixtes de 254 mm (10 po) destinée à couper le bois, le plastique et l'aluminium. Les coupes en biseau et à angles mixtes sont faciles et précises. Cet outil peut effectuer des coupes transversales mesurant jusqu'à 146 x 603 mm (5-3/4 x 2-3/8 po), des coupes à onglet à 45° (gauche et droit) de 104 x 603 mm (4-1/8 x 2-3/8 po), des coupes en biseau à 45° à gauche de 149 x 397 mm (5-7/8 x 1-9/16 po), et des coupes à angles mixtes de 45° x 45°, 104 x 397 mm (4-1/8 x 1-9/16 po). La scie possède des butées d'onglet fixes à 0°, 22,5°, 31,62°; et 45° à gauche et à droite, et des butées de biseau réglables, à 0° et 45°. Un sac à poussière est inclus afin de retenir la poussière et les copeaux de bois.

**AVIS :** la photo de la couverture du mode d'emploi illustre le modèle de production actuel. Les autres illustrations de ce mode d'emploi ne sont présentes qu'à titre indicatif et il est possible que la couleur, les étiquettes, ou les accessoires, qui ont uniquement pour but d'illustrer la technique, diffèrent des caractéristiques réelles de ce modèle.

## CONTENU DU CARTON

Retirer du carton la scie à onglets ainsi que toutes les pièces.

**ATTENTION** Ne pas soulever la scie à onglets par la poignée de la gâchette. Ceci pourrait provoquer un mauvais alignement. Toujours soulever la machine par la base de la poignée de transport.

1. Scie à onglets
2. Sac à poussière
3. Clé de lame de 12,7 mm (1/2 po)
4. Clé hexagonale de 5 mm
5. Poignée de blocage de la table

### DÉSEMBALLAGE ET NETTOYAGE

Désemballer soigneusement la machine et toutes les pièces de ou des emballage(s) d'expédition. Retirer le revêtement protecteur de toutes les surfaces non peintes. Le revêtement peut être retiré avec un chiffon doux humidifié avec du kérosène (ne pas utiliser d'acétone, d'essence ou de diluant à laque). Après nettoyage, couvrir les surfaces non peintes d'une cire à parquets d'usage domestique de bonne qualité.

# ASSEMBLAGE

## OUTILS NÉCESSAIRES POUR L'ASSEMBLAGE

(Fournis)

\* clé hexagonale de 5 mm

\* Clé de lame de 12,7 mm (1/2 po)

(Non fournis)

\* Tournevis à tête cruciforme

\* Une équerre pour effectuer des ajustements

**⚠ AVERTISSEMENT** Pour votre propre sécurité, ne pas brancher la machine à une source d'alimentation jusqu'à ce que la machine soit entièrement assemblée, ni avant d'avoir lu et compris l'intégralité de ce mode d'emploi.

**⚠ AVERTISSEMENT** DÉBRANCHER LA MACHINE DE LA SOURCE D'ALIMENTATION!

## FIXATION DE LA POIGNÉE DE BLOCAGE DE LA TABLE

Visser la poignée de blocage de la table (A, fig. 2) dans l'orifice fileté (B) situé sur le support du bras.

## ROTATION DE LA TABLE À 90°

1. Tourner la poignée de blocage de la table (A, fig. 3) en sens antihoraire sur un ou deux tours, puis enfoncer le levier (B) pour relâcher la butée fixe à 45°.
2. Tourner la table vers la gauche jusqu'à ce que la butée soit complètement enfoncée dans la butée fixe à 90° à la figure 4. Serrer fermement la poignée de blocage de la table (A).

## DÉPLACEMENT DE LA FRAISE ROTATIVE EN POSITION HAUTE

1. Pousser la poignée vers le bas (A) (encart, fig. 5). Tirer sur la poignée de verrouillage de la fraise rotative (B).
2. Mettre la fraise rotative (C) en position haute (fig. 6).

## FIXATION DU SAC À POUSSIÈRE

Presser les attaches à ressort (A, fig. 7) du sac à poussière (B) et attacher le sac à poussière (B) au-dessus des nervures de la sortie de poussière.

## FIXATION DE LA MACHINE SUR UNE SURFACE DE SUPPORT

Avant d'utiliser la scie à ongllets mixtes, s'assurer qu'elle est fermement fixée sur un établi solide ou une autre surface de support. Il existe quatre trous, dont deux sont montrés en (A), sur la figure 8.

En cas de déplacement fréquent de la scie d'un endroit à l'autre, fixer la scie sur une planche de contreplaqué, et fixer cette planche sur une surface de support à l'aide de presses en C.

# FONCTIONNEMENT

## COMMANDES ET RÉGLAGES OPÉRATIONNELS

### ZONE À RISQUE DE LA TABLE

**⚠ AVERTISSEMENT** La zone comprise entre les deux lignes rouges (A, fig. 9) sur la table est considérée comme « zone à risque ». Ne jamais placer les mains à l'intérieur de cette zone lorsque la machine est en marche. Éloigner les mains de 15,3 cm (6 po) de la lame.

### UTILISATION DE LA PINCE DE TRAVAIL EN OPTION

1. Une pince de travail (A, fig. 10) facultative est disponible. Utiliser cette pince accessoire principalement avec des petites pièces. Toujours éloigner les mains de la « zone à risque ».
2. Utiliser le trou de droite ou de gauche (B, fig. 9) à la base de la scie à ongllet pour y insérer la pince (A, fig. 10) d'un côté ou l'autre de la lame de scie.

**⚠ AVERTISSEMENT** Garder les mains hors de la trajectoire de la lame de la scie. Au besoin, fixer l'ouvrage en position avant de débiter la coupe si les mains seraient à moins de 15,2 cm (6 po) de la lame.

## DÉMARRAGE ET ARRÊT DE LA SCIE À ONGLETS

Pour démarrer la scie à onglets, enfoncer la détente (A, fig. 11). Pour arrêter la scie à onglets, relâcher la détente. Cette scie est dotée d'un frein de lame électrique automatique. Dès que la détente (A, figure 11) est relâchée, le frein électrique est activé et arrête la lame en quelques secondes.

**⚠ AVERTISSEMENT** Une lame de scie en train de tourner peut présenter un danger. Une fois la coupe terminée, relâcher la détente (A, fig. 11) pour activer le frein de lame. Maintenir la fraise rotative tête en bas jusqu'à arrêt complet.

**⚠ AVERTISSEMENT** Le couple développé lors du freinage peut desserrer la vis d'axe (E, fig.45). La vis de l'axe doit être vérifiée régulièrement et resserrée si nécessaire.

## VERROUILLAGE DE L'INTERRUPTEUR EN POSITION D'ARRÊT

**IMPORTANT** : lorsque la machine n'est pas utilisée, l'interrupteur doit être verrouillé en position d'arrêt (OFF) pour empêcher toute utilisation non autorisée en utilisant un cadenas (B, fig. 12) avec une boucle de 4,76 mm (3/16 po).

## TOURNER LA TABLE POUR EFFECTUER UNE COUPE À ONGLET

La scie à onglets peut couper selon n'importe quel angle compris entre un angle droit à 90° et un angle de 47° à droite comme à gauche. Tourner la poignée de blocage (A, fig. 13) en sens antihoraire sur un ou deux tours, enfoncer le levier (B) puis positionner le bras de contrôle selon l'angle désiré. **Serrer fermement la poignée de blocage (A).**

La scie à onglets est équipée de butées fixes à 0°, 22,5°, 31,62°, et 45° à droite comme à gauche. Desserrer la poignée de blocage (A, fig. 14) et déplacer le bras de contrôle jusqu'à ce que la partie inférieure du levier (B) s'enfonce dans une des butées fixes, dont quatre sont indiquées en (C). Serrer fermement la poignée de blocage (A). Pour dégager la butée fixe, enfoncer le levier (B).

Un indicateur triangulaire (D, fig. 15) se situe sur l'échelle à onglets à 31,62° à droite et à gauche pour couper des moulures couronnées. (Se reporter à la section « COUPE DE MOULURE COURONNÉE » de ce mode d'emploi).

**IMPORTANT** : toujours serrer la poignée de blocage (A, fig. 14) avant la coupe.

## RÉGLAGE DU MONTAGE COULISSANT ENTRE LA TABLE AMOVIBLE ET LA BASE

**⚠ AVERTISSEMENT** DÉBRANCHER L'APPAREIL DE LA SOURCE D'ALIMENTATION

Pour régler le montage coulissant entre la table amovible et la base, tourner l'écrou (A) fig. 14A en sens horaire pour serrer le montage (et en sens antihoraire pour le desserrer). Ce réglage ne doit pas être serré au point de restreindre le mouvement de rotation de la table, ni desserré au point qu'il affecte la précision de la scie.

## POINTEUR ET ÉCHELLE

Le pointeur (E, fig. 15) indique l'angle de coupe. Chaque ligne de l'échelle (F) représente 1 degré. En déplaçant le pointeur d'une ligne à la suivante sur l'échelle, ceci change l'angle de coupe de 1 degré.

## RÉGLER LE POINTEUR

Pour régler le pointeur (E, fig. 16), desserrer la vis (G), régler le pointeur (E), puis serrer la vis.

## VERROUILLER LA FRAISE ROTATIVE EN POSITION BASSE

Pour transporter la scie, toujours verrouiller la fraise rotative en position basse. Baisser la fraise rotative (A, fig. 17) et pousser la poignée de verrouillage de la fraise rotative (B) dans le trou du bras de coupe jusqu'à ce que la fraise rotative soit verrouillée

**IMPORTANT** : le transport de la machine par la poignée de la gâchette provoquera un mauvais alignement. Toujours soulever la machine par la base ou par la poignée de transport (voir fig. 20).

## INCLINER LA FRAISE ROTATIVE POUR EFFECTUER UNE COUPE EN BISEAU

**IMPORTANT** : déplacer le guide coulissant pour assurer un dégagement suffisant pour la lame et le protège-main. Le degré d'inclinaison détermine la distance à laquelle déplacer le guide coulissant. Se reporter à la rubrique « Réglage du guide coulissant ».

Il est possible d'incliner la fraise rotative de la scie à onglets mixtes pour effectuer une coupe en biseau allant d'un angle droit de 90° jusqu'à un angle de biseau gauche à 45°. Desserrer la poignée de blocage de biseau (A, fig. 18), incliner le bras de coupe (B) selon l'angle désiré, puis serrer la poignée de blocage (A)

Des butées fixes permettent de positionner rapidement la lame de la scie à 90° et 45° par rapport à la table. Se reporter à la section de ce mode d'emploi intitulée « RÉGLAGE DES BUTÉES DE BISEAU À 90° ET 45° ». L'angle de biseau de la fraise rotative est déterminé par la position du pointeur (C, fig. 18) sur l'échelle (D).

Un indicateur triangulaire est situé sur l'échelle de biseau à un angle de biseau à 33,86° pour couper des moulures couronnées. Se reporter à la section « COUPE DE MOULURE COURONNÉE » de ce mode d'emploi.

## RÉGLAGE DU GUIDE COULISSANT

Le guide coulissant (A) fig. 18A offre un soutien pour les pièces extra larges qui seront coupées avec la scie. L'installer aussi près que possible de la lame de scie. Lors d'une coupe à onglet (soit la lame à 90° par rapport à la table et incliné à un angle droit ou gauche), déployer entièrement le guide en direction de la lame (fig. 18B). Par contre, lors de coupe biseautée (lame inclinée par rapport à la table), éloigner autant que possible le guide (A) de la lame pour offrir un bon dégagement. Pour repositionner le guide, desserrer la poignée de verrouillage (B) et glisser le guide (A) à la position voulue. Serrer la poignée de verrouillage (B).

## SUPPORT ARRIÈRE/POIGNÉE DE TRANSPORT

Une barre de support arrière (A, fig. 19) permet d'empêcher la machine de basculer en arrière lorsque la fraise rotative est remise en position haute. Pour un support maximal, tirer sur la barre (A) autant que possible. Il est également possible d'utiliser la barre de support (A, fig. 20) pour transporter la machine.

## AJUSTER LA LAME PARALLÈLEMENT À LA FENTE DE LA TABLE

### **▲ AVERTISSEMENT** DÉBRANCHER LA MACHINE DE LA SOURCE D'ALIMENTATION!

1. Baisser le bras de coupe. La lame de la scie (A, fig. 21) doit être parallèle au bord gauche (B) de l'ouverture de la table.
2. Pour ajuster, desserrer les trois boulons (C, fig. 21) et déplacer le bras de coupe jusqu'à ce que la lame soit parallèle au bord gauche (B) de l'ouverture de la table et centrée dans la fente. Serrer fermement les trois boulons (C).

## RÉGLAGE DU GUIDE À 90° DE LA LAME

### **▲ AVERTISSEMENT** DÉBRANCHER LA MACHINE DE LA SOURCE D'ALIMENTATION!

Afin que la scie puisse biseauter à 47 degrés vers la gauche, le côté gauche du guide peut être ajusté afin de fournir le dégagement suffisant. Pour régler le guide, desserrer la poignée en plastique comme indiqué sur la Fig. 22, puis faire glisser le guide vers la gauche. Effectuer un essai à blanc en laissant la scie hors tension et en vérifiant le dégagement. Régler le guide de sorte à être aussi proche de la lame que possible afin de fournir un soutien maximal à la pièce sans nuire aux mouvements du bras vers le haut et le bas. Bien serrer la poignée. Lorsque les opérations de biseautage sont terminées, ne pas oublier de remettre le guide en place vers la droite.

**REMARQUE** : la rainure du côté gauche du guide peut être obstruée par de la sciure. Si cela se produit, utiliser un bâton ou de l'air à basse pression pour déboucher la rainure du guide.

## RÉGLAGE DE LA COURSE DE LA LAME VERS LE BAS

### **▲ AVERTISSEMENT** DÉBRANCHER LA MACHINE DE LA SOURCE D'ALIMENTATION!

1. Il est possible de limiter la course de la lame vers le bas afin d'éviter qu'elle n'entre en contact avec des surfaces métalliques de la machine. Effectuer ce réglage en desserrant l'écrou de verrouillage (A, fig. 23) et tourner la vis de réglage (B) vers l'extérieur ou l'intérieur.
2. Baisser la lame autant que possible. Tourner la lame manuellement pour s'assurer que les dents n'entrent pas en contact avec des surfaces métalliques.
3. Serrer l'écrou de verrouillage (A).

## RÉGLAGE DES BUTÉES DE BISEAU À 90° ET 45°

### **▲ AVERTISSEMENT** DÉBRANCHER LA MACHINE DE LA SOURCE D'ALIMENTATION!

1. Desserrer la poignée de blocage de biseau (A, fig. 18), et déplacer complètement le bras de coupe (B, fig. 19) vers la droite. Serrer la poignée de blocage de biseau.
2. Placer un côté d'une équerre (A, fig. 24) sur la table, et l'autre, contre la lame. Vérifier que la lame est perpendiculaire (90°) à la table (fig. 24).
3. Pour effectuer le réglage, desserrer l'écrou de verrouillage (B, fig. 25) et tourner la vis (C) jusqu'à ce que la tête de vis (C) entre en contact avec le moulage (D) lorsque la lame est perpendiculaire à la table (90°). Serrer l'écrou de verrouillage (B).
4. Desserrer la poignée de blocage de biseau. Déplacer complètement le bras de coupe en position de biseau gauche, puis serrer fermement la poignée de blocage de biseau.
5. Utiliser une équerre combinée (A, fig. 26) pour savoir si la lame est en angle de 45° par rapport à la table.
6. Pour effectuer le réglage, desserrer l'écrou de verrouillage (E, fig. 27) et tourner la vis (F) jusqu'à ce qu'elle entre en contact avec le moulage (G). Serrer fermement l'écrou de verrouillage (E).
7. Vérifier que le pointeur de biseau (P, fig. 28) pointe en direction de la marque des 45° sur l'échelle de biseau (S, fig. 26). Pour régler le pointeur de biseau (P, fig. 28), desserrer la vis (H) et régler le pointeur (P). Serrer fermement la vis (H).
8. Ces butées fixes permettent de positionner rapidement la lame selon un angle de biseau à 90° et 45° par rapport à la table.

## RÉGLAGE DE LA TENSION DU RESSORT DE RAPPEL DE LA FRAISE ROTATIVE

### **▲ AVERTISSEMENT** LA TÊTE DE COUPE DOIT RETOURNER RAPIDEMENT À LA POSITION ÉLEVÉE. DÉBRANCHER LA MACHINE DE LA SOURCE D'ALIMENTATION.

La tension du ressort de rappel de la fraise rotative a été réglée à l'usine de façon à ce que la fraise rotative se remette en position « haute » après la coupe.

Pour régler la tension du ressort, desserrer l'écrou de verrouillage (A, fig. 29) et tourner la vis (B) (en sens horaire pour augmenter la tension du ressort, et en sens antihoraire pour la diminuer). Après réglage, serrer l'écrou de verrouillage (A).

## RÉGLAGE DU MONTAGE COULISSANT ENTRE LE BRAS DE COUPE ET LE TOURILLON

Après une période prolongée, il est possible qu'un réglage du montage coulissant entre le bras de coupe (B) fig. 29A et le tourillon (C) s'avère nécessaire. Pour régler, serrer l'écrou (D). Ce réglage ne doit pas être serré au point de restreindre le mouvement coulissant du bras de coupe, ni desserré au point qu'il affecte la précision du trait de la scie.

## RÉGLAGE DU PROTÈGE-LAME INFÉRIEUR

**⚠ AVERTISSEMENT** DÉBRANCHER L'APPAREIL DE LA SOURCE D'ALIMENTATION.

L'appareil comporte un protège-lame intégré (A) fig. 27B qui recouvre la portion arrière de la lame. Suite à une période d'utilisation prolongée, il est possible que le protège-lame inférieur mobile ne se déplace pas aussi bien lorsqu'on abaisse la tête de coupe. On peut rectifier la situation en ajustant l'écrou (B) jusqu'à ce que le protège-lame se déplace librement.

**⚠ AVERTISSEMENT** Un écrou trop serré peut entraver le mouvement du protège-lame.

**REMARQUE :** l'outil est doté d'un protège-lame arrière articulé. Avant de faire contact avec la pièce, le protège-lame arrière pivotera vers le haut pour dégager encore plus la lame lorsqu'on abaisse la tête de coupe.

**⚠ AVERTISSEMENT** VEILLER À LAISSER TOUS LES PROTÈGES-LAME EN PLACE.

**⚠ AVERTISSEMENT** S'assurer que tous les protèges-lame sont en place et en bon état de fonctionnement avant d'utiliser la scie.

**⚠ AVERTISSEMENT** S'assurer que les guides sont hors du parcours du protège-lame et de la lame avant de mettre en marche la scie.

## UTILISATION DE LA MACHINE

### OPÉRATIONS COURANTES ET CONSEILS UTILES

**⚠ AVERTISSEMENT** La tête de coupe doit retourner rapidement en position élevée. Un retour lent ou incomplet de la tête de coupe altèrera le fonctionnement du protège-lame inférieur, ce qui pourrait se solder par une blessure corporelle.

1. Avant la coupe, s'assurer que le bras et la table de coupe sont réglés correctement et fermement verrouillés en place.
2. Placer la pièce sur la table et la maintenir ou la fixer fermement contre le guide. La pince de travail (A, fig. 30) facultative s'utilise également du côté droit de la machine.
3. **⚠ AVERTISSEMENT** Si les mains sont à l'intérieur de la « zone à risque » en fonction de la taille ou de la position de la pièce, utiliser une pince de travail pour fixer solidement celle-ci. Tenir les mains éloignées de la « Zone à risque ».
4. Pour de meilleurs résultats, couper à vitesse faible et régulière.
5. Ne jamais tenter de couper à mains libres (des pièces de bois qui ne sont pas maintenues fermement contre le guide et la table).

### GUIDE AUXILIAIRE EN BOIS

**⚠ AVERTISSEMENT** Lors de la réalisation de plusieurs opérations ou d'opérations répétitives produisant des pièces coupées en petits morceaux (d'un pouce ou moins), la lame de la scie peut heurter les pièces coupées et les projeter hors de la machine ou dans le pare-main de la lame et le boîtier, provoquant des dommages ou des blessures. Pour limiter ce risque, fixer sur la scie un guide auxiliaire en bois (fig. 31).

Les trous situés sur le guide permettent de fixer un guide auxiliaire (A, figure 31). Ce guide auxiliaire est en bois et fait environ 12,7 mm (1/2 po) d'épaisseur par 76,2 mm (3 po) de haut et 508 mm (20 po) de long.

**REMARQUE :** le guide auxiliaire (A) est utilisé **UNIQUEMENT** avec la lame de la scie en position de biseau à 0° (90° par rapport à la table). Pour effectuer une coupe en biseau (lame inclinée), retirer le guide auxiliaire.

### OPÉRATIONS DE COUPE GÉNÉRALES

1. Votre machine a la capacité d'effectuer des coupes sur des morceaux de bois standards 2 x 4, à plat ou sur les bords, à angle d'onglet gauche et droit à 45° (fig. A1 et A2).
2. Une coupe standard de 2 x 6 peut être effectuée à angle droit de 90° en un passage (fig. A3).
3. Une coupe standard de 4 x 4 peut être accomplie en un passage (fig. A4).
4. Cette machine a la capacité de couper avec précision des moulures couronnées et d'effectuer d'autres types de coupe en biseau (fig. A5).
5. Avec cette machine, il est facile de couper des tuyaux en plastique de différentes tailles (fig. A6). **LE MATÉRIAU DOIT ÊTRE SOLIDEMENT FIXÉ OU TENU CONTRE LE GUIDE POUR L'EMPÊCHER DE ROULER.** Cela est extrêmement important lors de découpes en angle.



## COUPE DE MOULURES COURONNÉES

Les nombreuses fonctionnalités de la scie incluent la coupe facile de moulures couronnées. L'exemple suivant concerne une coupe de coins internes et externes sur des moulures couronnées qui forment un angle de 52°/38° avec le mur.

1. Déplacer la table à la position d'onglet à 31,62° à droite puis verrouiller la table en position. **REMARQUE** : une butée fixe permet de trouver cet angle rapidement.
2. Incliner la lame de la scie en position de biseau gauche à 33,86°, puis serrer la poignée de blocage du biseau. **REMARQUE** : un indicateur triangulaire situé sur l'échelle de biseau permet de trouver cet angle rapidement.
3. Placer la moulure couronnée sur la table, section qui s'adapte au plafond contre le guide, et effectuer la coupe, comme le montre la figure 37.

**REMARQUE** : la moulure couronnée utilisée pour le coin extérieur sera toujours du côté droit de la lame, comme illustré en A sur la figure 37. La moulure couronnée utilisée pour le coin intérieur sera toujours du côté gauche de la lame, comme illustré en B sur la figure 37.

4. Pour couper les moitiés correspondantes des coins interne et externe, tourner la table en position d'onglet gauche à 31,62°.

**REMARQUE** : une butée fixe permet de trouver cet angle rapidement. La lame de la scie est déjà inclinée en position de biseau gauche à 33,86° puisqu'il s'agissait de la position utilisée pour la coupe précédente.

5. Placer la moulure couronnée sur la table, section qui s'adapte au mur contre le guide, et effectuer la coupe. De même, la moulure couronnée utilisée pour le coin extérieur sera toujours du côté droit de la lame, comme illustré en C sur la figure 38. La pièce de la moulure couronnée utilisée pour un coin interne sera toujours à gauche de la lame comme illustré en D sur la figure 38.
6. fig. 39 illustre les deux pièces de coin externe, (A) étant la pièce coupée en (A) sur la figure 37 et (C) la pièce coupée en (C) sur la figure 38.
7. fig. 40 illustre les deux pièces de coin interne, (B) étant la pièce coupée en (B) sur la figure 37 et (D) la pièce coupée en (D) sur la figure 38.

## MOULURE COURONNÉE 45-45

**REMARQUE** : pour la coupe d'une moulure couronnée à 45°-45°, suivre la procédure ci-dessus, à l'exception que la position de biseau sera toujours à 30° et que la position d'onglet sera de 35-1/4° à droite ou à gauche.

## AUTRES ANGLES

**REMARQUE** : les instructions ci-dessus supposent que l'angle entre les murs est de 90°. Pour obtenir de l'aide sur la découpe de moulures couronnées à des angles autres que 90°, se reporter aux instructions « **COUPURE DE MOULURE COURONNÉE** » sur le site Web de Delta Machinery à l'adresse [www.deltamachinery.com](http://www.deltamachinery.com).

Fig. 37 - CÔTÉ PLAFOND, CÔTÉ MUR

## ENTRETIEN

### CHANGEMENT DE LA LAME

**⚠ AVERTISSEMENT** Utiliser uniquement des lames de scie à tronçonner.

**⚠ AVERTISSEMENT** Avec l'utilisation de lames à pointe carburée, ne pas utiliser de lames à dents très espacées car elles peuvent entrer en contact avec le pare-main et le faire dévier.

**⚠ AVERTISSEMENT** Utiliser uniquement des lames de scie de diamètre 254 mm (10 po) conçues pour un régime d'au moins 5200 tr/min et ayant des trous d'axe de 158,7 mm (5/8 po).

**⚠ AVERTISSEMENT** DÉBRANCHER LA MACHINE DE LA SOURCE D'ALIMENTATION !

1. Retirer la vis (A, fig. 41) et tourner le couvercle (B) vers l'arrière (fig. 42).
2. Pour retirer la lame de la scie, insérer la clé hexagonale (C, fig. 43) dans le trou hexagonal situé à l'arrière de l'arbre moteur pour empêcher l'arbre de tourner.
3. Utiliser une clé (D, fig. 44) pour desserrer la vis de l'axe (E) en la tournant en sens horaire.
4. Retirer la vis de l'axe (E, fig. 44), la bride externe de la lame (F) et la lame de la scie de l'axe de la scie.
5. Fixer la nouvelle lame en **s'assurant que les dents de la lame pointent vers le bas (fig. 44)**. Placer la bride externe de la lame (F, fig. 44) sur l'axe, puis fixer la vis de l'axe (E) en la tournant en sens horaire à l'aide de la clé (D, fig. 44). En même temps, utiliser la clé hexagonale (C, fig. 44) pour empêcher l'axe de tourner.
6. Tourner le couvercle vers l'avant pour le repositionner en place puis remettre la vis qui a été retirée à l'**ÉTAPE 1**.

**⚠ AVERTISSEMENT** Retirer les clés (C, fig. 43) et (G, fig. 44) avant de démarrer la machine.

**⚠ AVERTISSEMENT** Le support du pare-main doit être remis à sa position d'origine et la vis doit être serrée avant d'activer la scie. Si vous négligez de le faire, le pare-main risque d'entrer en contact avec la lame de scie tournante et ainsi causer des dommages à la scie et des blessures corporelles graves.

Fig. 44 - dents

## INSPECTION ET REMPLACEMENT DE LA BROSSE

La durée de vie de la brosse est variable. Elle dépend de la charge du moteur. Vérifier les brosses après les 50 premières heures d'utilisation de la machine, ou après 50 heures d'utilisation de nouvelles brosses. Une fois la première vérification effectuée, examiner les brosses après environ 10 heures d'utilisation, et ce jusqu'à ce qu'un remplacement soit nécessaire. Pour inspecter les brosses:

**▲ AVERTISSEMENT DÉBRANCHER LA MACHINE DE LA SOURCE D'ALIMENTATION!**

1. Retirer trois vis (A, fig. 45) et retirer le couvercle du moteur (B).
2. Les brosses se situent dans les deux supports (C, fig. 46). Retirer le connecteur de borne à trois pointes (D) et sortir les supports de brosse (C).
3. La fig. 47 illustre une des brosses (E) retirée du support (C). Lorsque le carbone d'une brosse (E) est usé de 34,7 mm (16 po) en longueur ou lorsqu'un ressort (F) ou un fil de dérivation est brûlé ou endommagé de quelque façon que ce soit, remplacer les deux brosses. Si, après avoir retiré les brosses, il apparaît qu'elles sont encore utilisables, les réinstaller dans le même sens.

### GARDER LA MACHINE PROPRE

Dégager régulièrement toutes les conduites d'air avec de l'air comprimé sec. Toutes les pièces en plastique doivent être nettoyées à l'aide d'un chiffon doux humide. NE JAMAIS utiliser de solvants pour nettoyer les pièces en plastique. Les solvants peuvent dissoudre ou endommager le matériel.

**▲ AVERTISSEMENT Porter des lunettes de sécurité pour l'utilisation d'air comprimé.**

### DÉMARRAGE IMPOSSIBLE

Si la machine ne démarre pas, s'assurer que les lames de la fiche du cordon d'alimentation sont bien enfoncées dans la prise de courant. Vérifier également que les fusibles ne sont pas grillés ou que le disjoncteur ne s'est pas déclenché.

## DÉPANNAGE

### SUIVRE LES RÈGLES ET CONSIGNES DE SÉCURITÉ

#### PROBLÈME! LA SCIE NE DÉMARRE PAS

##### QUEL EST LE PROBLÈME ?

1. Scie non branchée.
2. Fusible grillé ou disjoncteur déclenché.
3. Cordon endommagé.
4. Brosses usées.

##### QUE FAIRE...

1. Brancher la scie.
2. Remplacer le fusible ou réinitialiser le disjoncteur.
3. Faire remplacer le cordon par un centre de réparation agréé.
4. Faire remplacer les brosses par un centre de réparation agréé.

#### PROBLÈME! LES DÉCOUPES EFFECTUÉES PAR LA SCIE NE SONT PAS SATISFAISANTES

##### QUEL EST LE PROBLÈME ?

1. Lame émoussée.
2. Lame montée à l'envers.
3. Gomme ou résine sur la lame.
4. Lame inadéquate pour le travail effectué

##### QUE FAIRE...

1. Remplacer la lame.
2. Inverser la lame.
3. Retirer la lame et la nettoyer avec de la térébenthine.
4. Changer la lame.

#### PROBLÈME! LA LAME N'ATTEINT PAS SON PLEIN RÉGIME

##### QUEL EST LE PROBLÈME ?

1. La rallonge est trop légère ou trop longue.
2. Courant domestique trop faible.

##### QUE FAIRE...

1. La remplacer par une rallonge de taille adéquate.
2. Contacter votre fournisseur d'électricité.

#### PROBLÈME! LA MACHINE VIBRE DE MANIÈRE EXCESSIVE

##### QUEL EST LE PROBLÈME ?

1. La scie n'est pas correctement fixée.
2. Le tréteau ou l'établi est sur un sol
3. Lame de scie endommagée.

##### QUE FAIRE...

1. Bien visser tout le matériel d'assemblage.
2. Le irrégulie repositionner sur une surface plane.
3. Remplacer la lame.

#### PROBLÈME! LES COUPES À ONGLET MANQUENT DE PRÉCISION

##### QUEL EST LE PROBLÈME ?

1. L'échelle d'onglet n'est pas correctement réglée.
2. La lame n'est pas d'équerre par rapport au guide.
3. La lame n'est pas perpendiculaire à la table.
4. La pièce à couper se déplace.

##### QUE FAIRE...

1. Vérifier et régler.
2. Vérifier et régler.
3. Vérifier et régler le guide.
4. La fixer au guide ou coller du papier abrasif de calibre 120 sur le guide à l'aide de colle de caoutchouc.

#### PROBLÈME! LE MATÉRIAU PINCE LA LAME

##### QUEL EST LE PROBLÈME ?

1. Découpe de matériau arqué.

##### QUE FAIRE...

1. Positionner le matériau arqué comme indiqué à la Figure 36.

## RÉPARATION

# **PIÈCES, RÉPARATION OU AIDE À PROPOS DE LA GARANTIE**

Tous les outils et accessoires Delta sont fabriqués selon des normes de qualité élevées et sont réparés par un réseau de centres de réparation de l'usine Porter-Cable — Delta et de centres de réparation agréés Delta. Pour de plus amples renseignements à propos de vos produits de qualité Delta ou pour l'obtention de pièces, réparations, aide à la garantie ou l'emplacement du centre de réparation le plus près de chez vous, composer le 1-800-223-7278 (au Canada, composer le 1-800-463-3582).

## ACCESSOIRES

Une gamme complète d'accessoires est disponible auprès de votre fournisseur Delta, centres de réparation de l'usine Porter-Cable — Delta et centres de réparation agréés Delta. Veuillez consulter le site Web [www.deltamachinery.com](http://www.deltamachinery.com) pour un catalogue ou le nom du fournisseur le plus près de chez vous.

**▲ AVERTISSEMENT** Puisque les accessoires autres que ceux offerts par Delta n'ont pas été testés avec ce produit, l'utilisation de ceux-ci pourrait s'avérer dangereux. Pour un fonctionnement en toute sécurité, utiliser seulement les accessoires recommandés Delta avec ce produit.

## GARANTIE



### Garantie limitée de deux ans

Delta réparera ou remplacera, à ses frais et à sa discrétion, toute nouvelle machine Delta, pièce de rechange ou tout accessoire qui, dans des circonstances d'utilisation normale, s'est avéré défectueux en raison de défauts de matériau ou de fabrication, à condition que le client retourne le produit (transport payé d'avance) au centre de réparation de l'usine Delta ou à un centre de réparation autorisé accompagné d'une preuve d'achat et dans les deux ans de la date d'achat du produit, et fournisse à Delta une opportunité raisonnable de vérifier le défaut présumé par une inspection. La période de garantie des produits Delta réusinés est de 180 jours. Delta peut demander que les moteurs électriques soient retournés (transport payé d'avance) à un centre de réparation autorisé du fabricant du moteur en vue d'une inspection, d'une réparation ou d'un remplacement. Delta ne peut être tenu pour responsable des défauts résultants de l'usure normale, de la mauvaise utilisation, de l'abus, de la réparation ou de la modification du produit, sauf en cas d'autorisation spécifique d'un centre de réparation ou d'un représentant Delta autorisé. En aucune circonstance Delta ne peut être tenu pour responsable des dommages accidentels ou indirects résultant d'un produit défectueux. Cette garantie constitue la seule garantie de Delta et le recours exclusif des clients en ce qui concerne les produits défectueux ; toutes les autres garanties, expresses ou implicites, de qualité marchande, d'adéquation à un usage particulier, ou autre, sont expressément déclinées par Delta.

**PORTER-CABLE • DELTA SERVICE CENTERS  
(CENTROS DE SERVICIO DE PORTER-CABLE • DELTA)  
(CENTRES DE RÉPARATION PORTER-CABLE • DELTA)**

Parts and Repair Service for Porter-Cable • Delta Machinery are Available at These Locations  
(Obtenga Refacción de Partes o Servicio para su Herramienta en los Sigüientes Centros de Porter-Cable • Delta)  
(Des pièces et des centres de réparation de Porter-Cable Delta sont disponibles à ces emplacements)

**ARIZONA**  
Phoenix 85013-2906  
4501 N. 7th Ave.  
Phone: (602) 279-6414  
Fax: (602) 279-5470

**CALIFORNIA**  
Ontario 91761 (Los Angeles)  
3949A East Guasti Road  
Phone: (909) 390-5555  
Fax: (909) 390-5554

San Diego 92111  
7290 Clairemont Mesa Blvd.  
Phone: (858) 279-2011  
Fax: (858) 279-0362

San Leandro 94577 (Oakland)  
3039 Teagarden Street  
Phone: (510) 357-9762  
Fax: (510) 357-7939

**COLORADO**  
Denver 80223  
700 West Mississippi Ave.  
Phone: (303) 922-8325  
Fax: (303) 922-0245

**FLORIDA**  
Davie 33314 (Miami)  
4343 South State Rd. 7 (441)  
Unit #107  
Phone: (954) 321-6635  
Fax: (954) 321-6638

Tampa 33634  
4909 West Waters Ave.  
Phone: (813) 884-0434  
Fax: (813) 888-5997

**GEORGIA**  
Forest Park 30297 (Atlanta)  
5442 Frontage Road,  
Suite 112  
Phone: (404) 608-0006  
Fax: (404) 608-1123

**ILLINOIS**  
Addison 60101 (Chicago)  
400 South Rohlwing Rd.  
Phone: (630) 424-8805  
Fax: (630) 424-8895

**KANSAS**  
Overland Park 66214  
9201 Quivira Road  
Phone: (913) 495-4330  
Fax: (913) 495-4378

**MARYLAND**  
Elkridge 21075 (Baltimore)  
7397-102 Washington Blvd.  
Phone: (410) 799-9394  
Fax: (410) 799-9398

**MASSACHUSETTS**  
Franklin 02038 (Boston)  
Franklin Industrial Park  
101E Constitution Blvd.  
Phone: (508) 520-8802  
Fax: (508) 528-8089

**MICHIGAN**  
Madison Heights 48071 (Detroit)  
30475 Stephenson Highway  
Phone: (248) 597-5000  
Fax: (248) 597-5004

**MINNESOTA**  
Eden Prairie 55344  
9709 Valley View Road  
Phone: (952) 884-9191  
Fax: (952) 884-3750

**MISSOURI**  
St. Louis 63146  
11477 Page Service Drive  
Phone: (314) 997-9100  
Fax: (314) 997-9183

**NEW YORK**  
Flushing 11365-1595 (N.Y.C.)  
175-25 Horace Harding Expwy.  
Phone: (718) 225-2040  
Fax: (718) 423-9619

**NORTH CAROLINA**  
Charlotte 28270  
9129 Monroe Road, Suite 115  
Phone: (704) 841-1176  
Fax: (704) 708-4625

**OHIO**  
Columbus 43229  
1948 Schrock Road  
Phone: (614) 895-3112  
Fax: (614) 895-3187

Parma Heights OH 44130  
6485 Pearl Road  
Phone: (440) 842-9100  
Fax: (440) 884-3430

**OREGON**  
Portland 97230  
14811 North East Airport Way  
Phone: (503) 255-6556  
Fax: (503) 255-6543

**PENNSYLVANIA**  
Willow Grove 19090  
(Philadelphia)  
520 North York Road  
Phone: (215) 658-1430  
Fax: (215) 658-1433

**TEXAS**  
Carrollton 75006 (Dallas)  
1300 Interstate 35 N, Suite 112  
Phone: (972) 446-2996  
Fax: (972) 446-8157

Houston 77022-2122  
536 East Tidwell Rd.  
Phone: (713) 692-7111  
Fax: (713) 692-1107

**WASHINGTON**  
Auburn 98001 (Seattle)  
3320 West Valley HWY, North  
Building D, Suite 111  
Phone: (253) 333-8353  
Fax: (253) 333-9613

Authorized Service Stations are located in many large cities. Telephone **800-438-2486** or **731-541-6042** for assistance locating one. Parts and accessories for Porter-Cable-Delta products should be obtained by contacting any Porter-Cable-Delta Distributor, Authorized Service Center, or Porter-Cable-Delta Factory Service Center. If you do not have access to any of these, call **800-223-7278** and you will be directed to the nearest Porter-Cable-Delta Factory Service Center. Las Estaciones de Servicio Autorizadas están ubicadas en muchas grandes ciudades. Llame al **800-438-2486** ó al **731-541-6042** para obtener asistencia a fin de localizar una. Las piezas y los accesorios para los productos Porter-Cable-Delta deben obtenerse poniéndose en contacto con cualquier distribuidor Porter-Cable-Delta, Centro de Servicio Autorizado o Centro de Servicio de Fábrica Porter-Cable-Delta. Si no tiene acceso a ninguna de estas opciones, llame al **800-223-7278** y le dirigirán al Centro de Servicio de Fábrica Porter-Cable-Delta más cercano. Des centres de réparation agréés sont situés dans plusieurs grandes villes. Pour repérer un centre, composer le **800-438-2486** ou le **731-541-6042**. Communiquer avec un distributeur, un centre de réparation agréé ou un centre de réparation de l'usine Porter-Cable Delta pour obtenir toutes pièces ou accessoires pour tous produits Porter-Cable Delta. Si aucun n'est disponible, composer le **800-223-7278** et vous serez redirigés vers le centre de réparation de l'usine Porter-Cable Delta le plus près de chez vous.

**CANADIAN PORTER-CABLE • DELTA SERVICE CENTERS  
CENTROS DE MANTENIMIENTO DELTA DE PORTER-CABLE DE CANADÁ  
CENTRES CANADIENS DE RÉPARATION PORTER-CABLE DELTA**

**ALBERTA**  
Bay 6, 2520-23rd St. N.E.  
Calgary, Alberta  
T2E 8L2  
Phone: (403) 735-6166  
Fax: (403) 735-6144

**BRITISH COLUMBIA**  
8520 Baxter Place  
Burnaby, B.C.  
V5A 4T8  
Phone: (604) 420-0102  
Fax: (604) 420-3522

**MANITOBA**  
1699 Dublin Avenue  
Winnipeg, Manitoba  
R3H 0H2  
Phone: (204) 633-9259  
Fax: (204) 632-1976

**ONTARIO**  
505 Southgate Drive  
Guelph, Ontario  
N1H 6M7  
Phone: (519) 767-4132  
Fax: (519) 767-4131

**QUÉBEC**  
1515 ave.  
St-Jean Baptiste, Suite 160  
Québec, Québec  
G2E 5E2  
Phone: (418) 877-7112  
Fax: (418) 877-7123

1447, Begin  
St-Laurent, (Montréal),  
Québec  
H4R 1V8  
Phone: (514) 336-8772  
Fax: (514) 336-3505

The following are trademarks of PORTER-CABLE • DELTA (Las siguientes son marcas registradas de PORTER-CABLE • DELTA S.A.) (Les marques suivantes sont des marques de fabricant de la PORTER-CABLE • DELTA): Auto-Set®, BAMMER®, B.O.S.S.®, Builder's Saw®, Contractor's Saw II™, Delta®, DELTACRAFT®, DELTAGRAM™, Delta Series 2000™, DURATRONIC™, Emc™, FLEX®, Flying Chips™, FRAME SAW®, Grip Vac™, Homecraft®, INNOVATION THAT WORKS®, Jet-Lock®, JETSTREAM®, 'kickstand', LASERLOC®, MICRO-SET®, Micro-Set®, MIDI LATHE®, MORTEN™, NETWORK™, OMNIJIG®, POCKET CUTTER®, PORTA-BAND®, PORTA-PLANE®, PORTER-CABLE®&(design), PORTER-CABLE®PROFESSIONAL POWER TOOLS, PORTER-CABLE REDEFINING PERFORMANCE™, Posi-Matic®, Q-3®&(design), QUICKSAND®&(design), QUICKSET™, QUICKSET II®, QUICKSET PLUS™, RIPTIDE™&(design), SAFE GUARD II®, SAFE-LOC®, Sanding Center®, SANDTRAP®&(design), SAW BOSS®, Sawbuck™, Sidekick®, SPEED-BLOC®, SPEEDMATIC®, SPEEDTRONIC®, STAIR EASE®, The American Woodshop®&(design), The Lumber Company®&(design), THE PROFESSIONAL EDGE®, THE PROFESSIONAL SELECT™, THIN-LINE™, TIGER®, TIGER CUB®, TIGER SAW®, TORQBUSTER®, TORQ-BUSTER®, TRU-MATCH™, TWIN-LITE™, UNIGUARD®, Unifence®, UNIFEEDER™, Unihead®, Uniplane™, Unirip®, Unisaw®, Univise®, Versa-Feeder®, VERSA-PLANE®, WHISPER SERIES®, WOODWORKER'S CHOICE™.

Trademarks noted with ™ and ® are registered in the United States Patent and Trademark Office and may also be registered in other countries. Las Marcas Registradas con el signo de ™ y ® son registradas por la Oficina de Registros y Patentes de los Estados Unidos y también pueden estar registradas en otros países. Les marques de commerce affichant les symboles ™ et ® sont enregistrées auprès du United States Patent and Trademark Office et peuvent être enregistrées dans d'autres pays.

PRINTED IN CHINA

## Free Manuals Download Website

<http://myh66.com>

<http://usermanuals.us>

<http://www.somanuals.com>

<http://www.4manuals.cc>

<http://www.manual-lib.com>

<http://www.404manual.com>

<http://www.luxmanual.com>

<http://aubethermostatmanual.com>

Golf course search by state

<http://golfingnear.com>

Email search by domain

<http://emailbydomain.com>

Auto manuals search

<http://auto.somanuals.com>

TV manuals search

<http://tv.somanuals.com>