

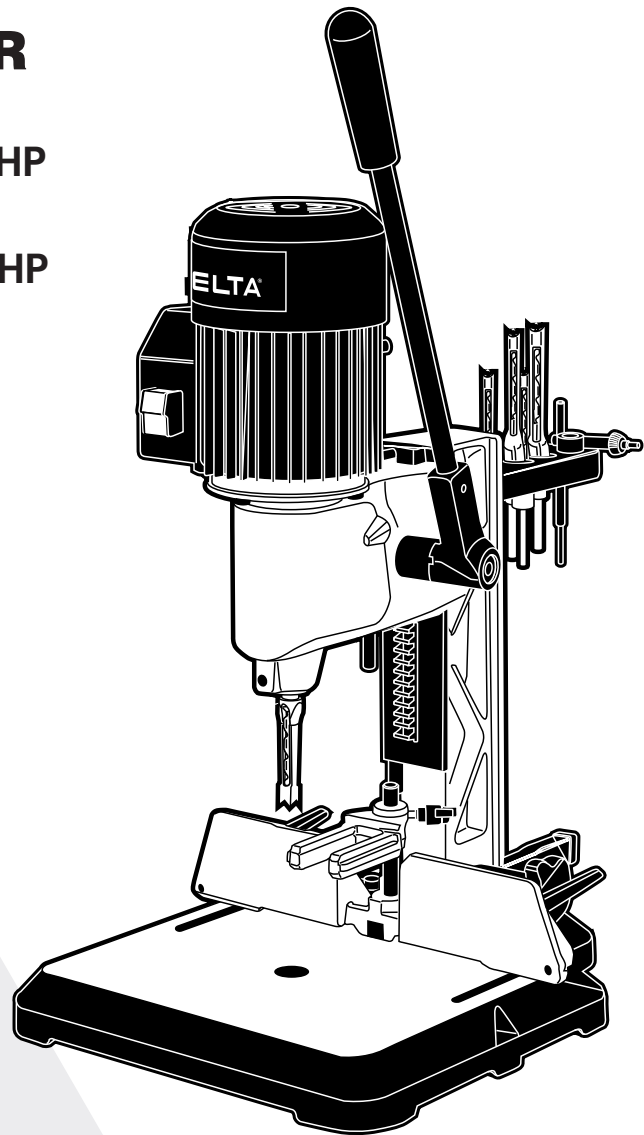


POWER EQUIPMENT CORPORATION

1/2 HP BENCH MORTISER

Mortaiseuse à bédane creux de 1/2 HP

Mortajadora de cincel hueco de 1/2 HP



Français (16)

Español (29)

Instruction manual

Manuel d'utilisation

Manual de instrucciones

www.DeltaMachinery.com

INSTRUCTIVO DE OPERACIÓN, CENTROS DE SERVICIO
Y PÓLIZA DE GARANTÍA. **⚠ ADVERTENCIA:** LÉASE ESTE
INSTRUCTIVO ANTES DE USAR EL PRODUCTO.

14-651

Type III



TABLE OF CONTENTS

IMPORTANT SAFETY INSTRUCTIONS.....	2	TROUBLESHOOTING.....	13
SAFETY GUIDELINES - DEFINITIONS	2	MAINTENANCE	13
GENERAL SAFETY RULES.....	3	SERVICE.....	14
ADDITIONAL SPECIFIC SAFETY RULES	4	ACCESSORIES	14
FUNCTIONAL DESCRIPTION.....	6	WARRANTY.....	15
CARTON CONTENTS	6	FRANÇAIS	16
ASSEMBLY.....	7	ESPAÑOL	29
OPERATION	11		

IMPORTANT SAFETY INSTRUCTIONS

⚠ WARNING: Read and understand all warnings and operating instructions before using any tool or equipment. When using tools or equipment, basic safety precautions should always be followed to reduce the risk of personal injury. Improper operation, maintenance or modification of tools or equipment could result in serious injury and property damage. There are certain applications for which tools and equipment are designed. DELTA® Power Equipment Corporation strongly recommends that this product NOT be modified and/or used for any application other than for which it was designed. If you have any questions relative to its application DO NOT use the product until you have written DELTA® Power Equipment Corporation and we have advised you. Contact us online at www.DeltaMachinery.com or by mail at Technical Service Manager, DELTA® Power Equipment Corporation , 99 Roush Street, Anderson, South Carolina 29625.



Information regarding the safe and proper operation of this tool is available from the following sources:

- Power Tool Institute, 1300 Sumner Avenue, Cleveland, OH 44115-2851 or online at www.powertoolinstitute.com
- National Safety Council, 1121 Spring Lake Drive, Itasca, IL 60143-3201
- American National Standards Institute, 25 West 43rd Street, 4 floor, New York, NY 10036 www.ansi.org - ANSI 01.1 Safety Requirements for Woodworking Machines
- U.S. Department of Labor regulations www.osha.gov

SAVE THESE INSTRUCTIONS!

SAFETY GUIDELINES - DEFINITIONS

It is important for you to read and understand this manual. The information it contains relates to protecting YOUR SAFETY and PREVENTING PROBLEMS. The symbols below are used to help you recognize this information.

⚠ DANGER: Indicates an imminently hazardous situation which, if not avoided, **will** result in **death or serious injury**.

⚠ WARNING: Indicates a potentially hazardous situation which, if not avoided, **could** result in **death or serious injury**.

⚠ CAUTION: Indicates a potentially hazardous situation which, if not avoided, **may** result in **minor or moderate injury**.

CAUTION: Used without the safety alert symbol indicates a potentially hazardous situation which, if not avoided, **may** result in **property damage**.

⚠ WARNING: Some dust created by power sanding, sawing, grinding, drilling, and other construction activities contains chemicals known to cause cancer, birth defects or other reproductive harm. Some examples of these chemicals are:

- lead from lead-based paints,
- crystalline silica from bricks and cement and other masonry products, and
- arsenic and chromium from chemically-treated lumber.

Your risk from these exposures varies, depending on how often you do this type of work. To reduce your exposure to these chemicals: work in a well ventilated area, and work with approved safety equipment, always wear NIOSH/OSHA approved, properly fitting face mask or respirator when using such tools.

GENERAL SAFETY RULES

⚠ WARNING: Failure to follow these rules may result in serious personal injury.

- 1. FOR YOUR OWN SAFETY, READ THE INSTRUCTION MANUAL BEFORE OPERATING THE MACHINE.** Learning the machine's application, limitations, and specific hazards will greatly minimize the possibility of accidents and injury.
- 2. WEAR EYE AND HEARING PROTECTION. ALWAYS USE SAFETY GLASSES.** Everyday eyeglasses are NOT safety glasses. USE CERTIFIED SAFETY EQUIPMENT. Eye protection equipment should comply with ANSI Z87.1 standards. Hearing equipment should comply with ANSI S3.19 standards.
- 3. WEAR PROPER APPAREL.** Do not wear loose clothing, gloves, neckties, rings, bracelets, or other jewelry which may get caught in moving parts. Nonslip protective footwear is recommended. Wear protective hair covering to contain long hair.
- 4. DO NOT USE THE MACHINE IN A DANGEROUS ENVIRONMENT.** The use of power tools in damp or wet locations or in rain can cause shock or electrocution. Keep your work area well-lit to prevent tripping or placing arms, hands, and fingers in danger.
- 5. MAINTAIN ALL TOOLS AND MACHINES IN PEAK CONDITION.** Keep tools sharp and clean for best and safest performance. Follow instructions for lubricating and changing accessories. Poorly maintained tools and machines can further damage the tool or machine and/or cause injury.
- 6. CHECK FOR DAMAGED PARTS.** Before using the machine, check for any damaged parts. Check for alignment of moving parts, binding of moving parts, breakage of parts, and any other conditions that may affect its operation. A guard or any other part that is damaged **should be properly repaired or replaced with DELTA® or factory authorized replacement parts.** Damaged parts can cause further damage to the machine and/or injury.
- 7. KEEP THE WORK AREA CLEAN.** Cluttered areas and benches invite accidents.
- 8. KEEP CHILDREN AND VISITORS AWAY.** Your shop is a potentially dangerous environment. Children and visitors can be injured.
- 9. REDUCE THE RISK OF UNINTENTIONAL STARTING.** Make sure that the switch is in the "OFF" position before plugging in the power cord. In the event of a power failure, move the switch to the "OFF" position. An accidental start-up can cause injury. Do not touch the plug's metal prongs when unplugging or plugging in the cord.
- 10. USE THE GUARDS.** Check to see that all guards are in place, secured, and working correctly to prevent injury.
- 11. REMOVE ADJUSTING KEYS AND WRENCHES BEFORE STARTING THE MACHINE.** Tools, scrap pieces, and other debris can be thrown at high speed, causing injury.
- 12. USE THE RIGHT MACHINE.** Don't force a machine or an attachment to do a job for which it was not designed. Damage to the machine and/or injury may result.
- 13. USE RECOMMENDED ACCESSORIES.** The use of accessories and attachments not recommended by DELTA® may cause damage to the machine or injury to the user.
- 14. USE THE PROPER EXTENSION CORD.** Make sure your extension cord is in good condition. When using an extension cord, be sure to use one heavy enough to carry the current your product will draw. An undersized cord will cause a drop in line voltage, resulting in loss of power and overheating. See the Extension Cord Chart for the correct size depending on the cord length and nameplate ampere rating. If in doubt, use the next heavier gauge. The smaller the gauge number, the heavier the cord.
- 15. SECURE THE WORK PIECE.** Use clamps or a vise to hold the work piece when practical. Loss of control of a work piece can cause injury.
- 16. FEED THE WORK PIECE AGAINST THE DIRECTION OF THE ROTATION OF THE BLADE, CUTTER, OR ABRASIVE SURFACE.** Feeding it from the other direction will cause the work piece to be thrown out at high speed.
- 17. DON'T FORCE THE WORK PIECE ON THE MACHINE.** Damage to the machine and/or injury may result.
- 18. DON'T OVERREACH.** Loss of balance can make you fall into a working machine, causing injury.
- 19. NEVER STAND ON THE MACHINE.** Injury could occur if the tool tips, or if you accidentally contact the cutting tool.
- 20. NEVER LEAVE THE MACHINE RUNNING UNATTENDED. TURN THE POWER OFF.** Don't leave the machine until it comes to a complete stop. A child or visitor could be injured.
- 21. TURN THE MACHINE "OFF", AND DISCONNECT THE MACHINE FROM THE POWER SOURCE** before installing or removing accessories, changing cutters, adjusting or changing set-ups. When making repairs, be sure to lock the start switch in the "OFF" position. An accidental start-up can cause injury.
- 22. MAKE YOUR WORKSHOP CHILDPROOF WITH PADLOCKS, MASTER SWITCHES, OR BY REMOVING STARTER KEYS.** The accidental start-up of a machine by a child or visitor could cause injury.
- 23. STAY ALERT, WATCH WHAT YOU ARE DOING, AND USE COMMON SENSE. DO NOT USE THE MACHINE WHEN YOU ARE TIRED OR UNDER THE INFLUENCE OF DRUGS, ALCOHOL, OR MEDICATION.** A moment of inattention while operating power tools may result in injury.
- 24. ⚠ WARNING: USE OF THIS TOOL CAN GENERATE AND DISBURSE DUST OR OTHER AIRBORNE PARTICLES, INCLUDING WOOD DUST, CRYSTALLINE SILICA DUST AND ASBESTOS DUST.** Direct particles away from face and body. Always operate tool in well ventilated area and provide for proper dust removal. Use dust collection system wherever possible. Exposure to the dust may cause serious and permanent respiratory or other injury, including silicosis (a serious lung disease), cancer, and death. Avoid breathing the dust, and avoid prolonged contact with dust. Allowing dust to get into your mouth or eyes, or lay on your skin may promote absorption of harmful material. Always use properly fitting NIOSH/OSHA approved respiratory protection appropriate for the dust exposure, and wash exposed areas with soap and water.

SAVE THESE INSTRUCTIONS.
Refer to them often and use them to instruct others.

ADDITIONAL SPECIFIC SAFETY RULES

▲ WARNING: Failure to follow these rules may result in serious personal injury.

1. **DO NOT OPERATE THIS MACHINE** until it is completely assembled and installed according to the instructions. A machine incorrectly assembled can cause serious injury.
2. **OBTAIN ADVICE** from your supervisor, instructor, or another qualified person if you are not thoroughly familiar with the operation of this machine. Knowledge is safety.
3. **FOLLOW ALL WIRING CODES** and recommended electrical connections to prevent shock or electrocution.
4. **SECURE THE MACHINE TO A SUPPORTING SURFACE.** Vibration can cause the machine to slide, walk, or tip over.
5. **NEVER START THE MACHINE BEFORE CLEARING THE TABLE OF ALL OBJECTS** (tools, scrap pieces, etc.). Debris can be thrown at high speed.
6. **NEVER START THE MACHINE** with the drill bit or cutting tool against the work piece. Loss of control of the work piece can cause serious injury.
7. **PROPERLY LOCK THE DRILL BIT OR CUTTING TOOL IN THE UNIT** before operating this machine.
8. **ADJUST** the depth stop to avoid drilling into the table.
9. **DO NOT** attempt to mortise material that does not have a flat surface, unless a suitable support is used.
10. **USE ONLY DRILL BITS, CUTTING TOOLS, OR OTHER ACCESSORIES** with shank size recommended in your instruction manual. The wrong size accessory can cause damage to the machine and/or serious injury.
11. **USE ONLY DRILL BITS OR CUTTING TOOLS** that are not damaged. Damaged items can cause malfunctions that lead to injuries.
12. **USE RECOMMENDED SPEEDS** for all operations. Other speeds may cause the machine to malfunction causing damage to the machine and/or serious injury.
13. **AVOID AWKWARD OPERATIONS AND HAND POSITIONS.** A sudden slip could cause a hand to move into the bit.
14. **KEEP ARMS, HANDS, AND FINGERS** away from the bit. Serious injury to the hand can occur.
15. **ALWAYS** position the hold down directly over the work piece to prevent the work piece from lifting during operation. Loss of control of the work piece can cause serious injury.
16. **TURN THE MACHINE “OFF” AND WAIT FOR THE DRILL BIT, CUTTING TOOL, OR SANDING DRUM TO STOP TURNING** prior to cleaning the work area, removing debris, removing or securing work-piece, or changing the angle of the table. A moving drill bit or cutting tool can cause serious injury.
17. **PROPERLY SUPPORT LONG OR WIDE** work-pieces. Loss of control of the work piece can cause severe injury.
18. **NEVER PERFORM LAYOUT, ASSEMBLY OR SET-UP WORK** on the table/work area when the machine is running. Serious injury can result.
19. **TURN THE MACHINE “OFF”**, disconnect the machine from the power source, and clean the table/work area before leaving the machine. **LOCK THE SWITCH IN THE “OFF” POSITION** to prevent unauthorized use. Someone else might accidentally start the machine and cause serious injury to themselves.
20. **ADDITIONAL INFORMATION** regarding the safe and proper operation of power tools (i.e. a safety video) is available from the Power Tool Institute, 1300 Sumner Avenue, Cleveland, OH 44115-2851 (www.powertoolinstitute.com). Information is also available from the National Safety Council, 1121 Spring Lake Drive, Itasca, IL 60143-3201. Please refer to the American National Standards Institute ANSI O1.1 Safety Requirements for Woodworking Machines and the U.S. Department of Labor OSHA 1910.213 Regulations.

SAVE THESE INSTRUCTIONS.

Refer to them often and use them to instruct others.

POWER CONNECTIONS

A separate electrical circuit should be used for your machines. This circuit should not be less than #12 wire and should be protected with a 20 Amp time lag fuse. If an extension cord is used, use only 3-wire extension cords which have 3-prong grounding type plugs and matching receptacle which will accept the machine's plug. Before connecting the machine to the power line, make sure the switch (s) is in the “OFF” position and be sure that the electric current is of the same characteristics as indicated on the machine. All line connections should make good contact. Running on low voltage will damage the machine.

▲ DANGER: Do not expose the machine to rain or operate the machine in damp locations.

MOTOR SPECIFICATIONS

Your machine is wired for 120 Volt, 60 HZ alternating current. Before connecting the machine to the power source, make sure the switch is in the “OFF” position.

GROUNDING INSTRUCTIONS

▲ DANGER: This machine must be grounded while in use to protect the operator from electric shock.

1. All grounded, cord-connected machines:

In the event of a malfunction or breakdown, grounding provides a path of least resistance for electric current to reduce the risk of electric shock. This machine is equipped with an electric cord having an equipment-grounding conductor and a grounding plug. The plug must be plugged into a matching outlet that is properly installed and grounded in accordance with all local codes and ordinances.

Do not modify the plug provided - if it will not fit the outlet, have the proper outlet installed by a qualified electrician. Improper connection of the equipment-grounding conductor can result in risk of electric shock. The conductor with insulation having an outer surface that is green with or without yellow stripes is the equipment-grounding conductor. If repair or replacement of the electric cord or plug is necessary, do not connect the equipment-grounding conductor to a live terminal.

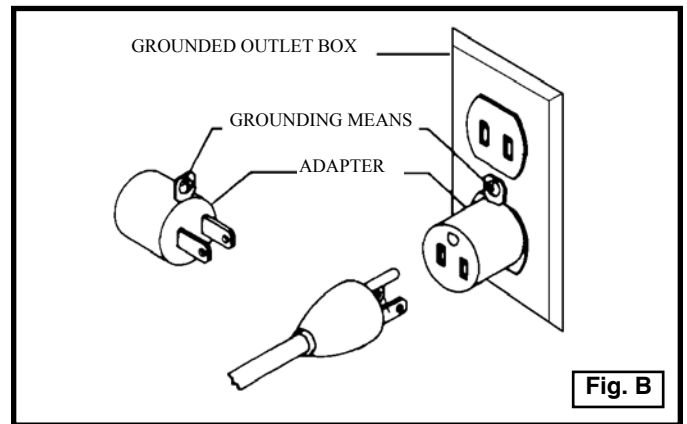
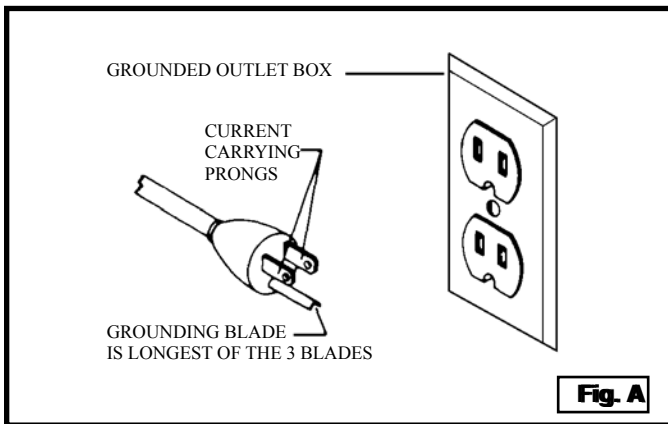
Check with a qualified electrician or service personnel if the grounding instructions are not completely understood, or if in doubt as to whether the machine is properly grounded.

Use only 3-wire extension cords that have 3-prong grounding type plugs and matching 3-conductor receptacles that accept the machine's plug, as shown in Fig. A. Repair or replace damaged or worn cord immediately.

2. Grounded, cord-connected machines intended for use on a supply circuit having a nominal rating less than 150 volts: If the machine is intended for use on a circuit that has an outlet that looks like the one illustrated in Fig. A, the machine will have a grounding plug that looks like the plug illustrated in Fig. A. A temporary adapter, which looks like the adapter illustrated in Fig. B, may be used to connect this plug to a matching 2-conductor receptacle as shown in Fig. B if a properly grounded outlet is not available. The temporary adapter should be used only until a properly grounded outlet can be installed by a qualified electrician. The green-colored rigid ear, lug, and the like, extending from the adapter must be connected to a permanent ground such as a properly grounded outlet box. Whenever the adapter is used, it must be held in place with a metal screw.

NOTE: In Canada, the use of a temporary adapter is not permitted by the Canadian Electric Code.

⚠ DANGER: In all cases, make certain that the receptacle in question is properly grounded. If you are not sure, have a qualified electrician check the receptacle.



EXTENSION CORDS

⚠ WARNING: Use proper extension cords. Make sure your extension cord is in good condition and is a 3-wire extension cord which has a 3-prong grounding type plug and matching receptacle which will accept the machine's plug. When using an extension cord, be sure to use one heavy enough to carry the current of the machine. An undersized cord will cause a drop in line voltage, resulting in loss of power and overheating. Fig. C shows the correct gauge to use depending on the cord length. If in doubt, use the next heavier gauge. The smaller the gauge number, the heavier the cord.

MINIMUM GAUGE EXTENSION CORD			
RECOMMENDED SIZES FOR USE WITH STATIONARY ELECTRIC MACHINES			
Ampere Rating	Volts	Total Length of Cord in Feet	gauge of Extension Cord
0-6	120	up to 25	18 AWG
		25-50	16 AWG
		50-100	16 AWG
		100-150	14 AWG
6-10	120	up to 25	18 AWG
		25-50	16 AWG
		50-100	14 AWG
		100-150	12 AWG
10-12	120	up to 25	16 AWG
		25-50	16 AWG
		50-100	14 AWG
		100-150	12 AWG
12-16	120	up to 25	14 AWG
		25-50	12 AWG
		GREATER THAN 50 FEET NOT RECOMMENDED	

Fig. C

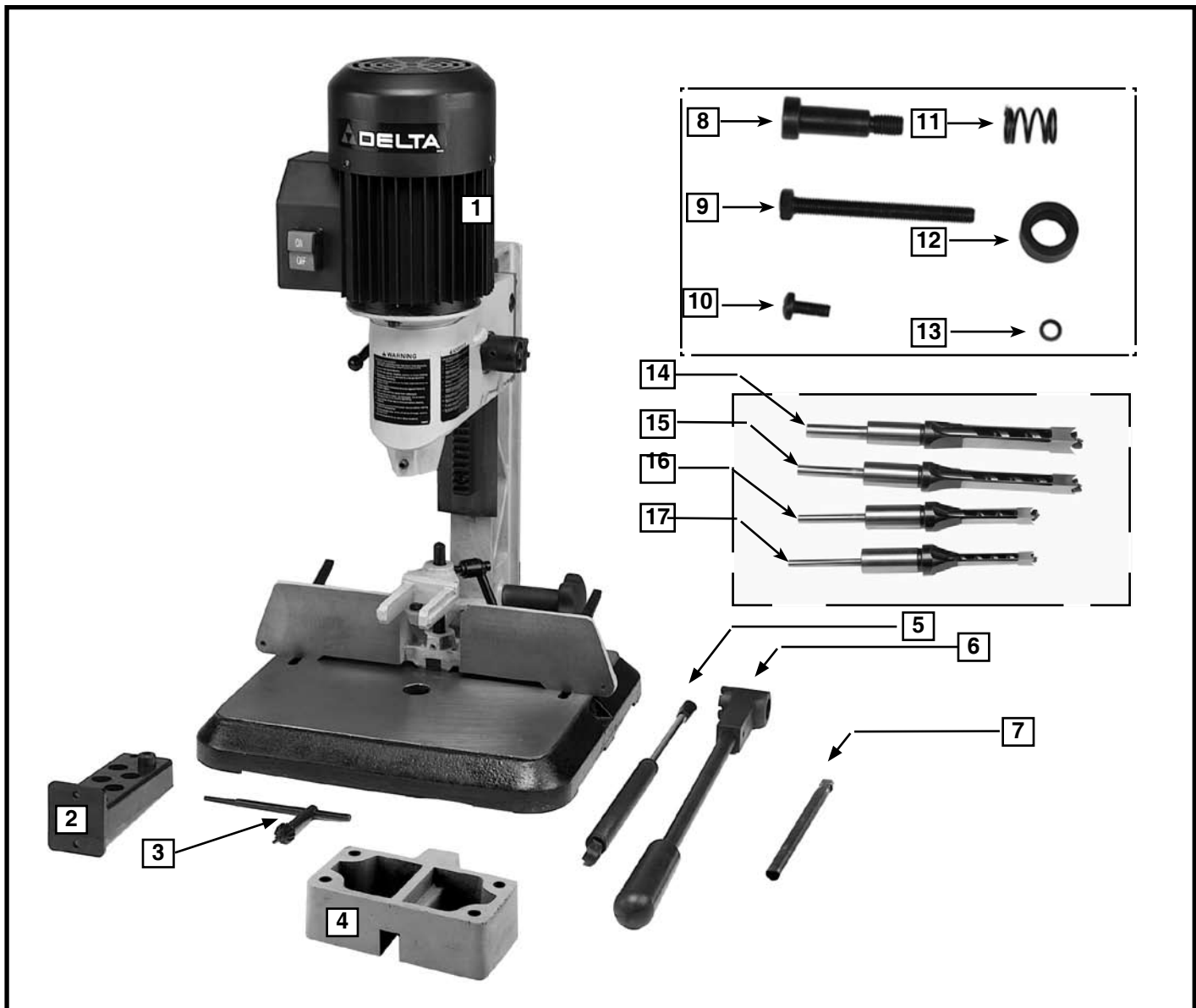
FUNCTIONAL DESCRIPTION

FOREWORD

The DELTA® Model 14-651 is easier to operate than a conventional drill press equipped with a mortising attachment. The model 14-651 is made of cast-iron and steel for rigidity and stability, and comes with a standard 3-jaw type chuck for positive gripping of mortising bits.

NOTICE: The photo on the manual cover illustrates the current production model. All other illustrations contained in the manual are representative only and may not depict the actual labeling or accessories included. These are intended to illustrate technique only.

CARTON CONTENTS



1. Mortiser
2. Tool and Chisel Holder
3. Chuck Key / Wrench
4. Column Extension
5. Hydraulic Cylinder
6. Handle
7. Extended hold-down rod (use with column extension)
8. Special Screw (for raising and lowering handle)
9. M8 x 1.25 x 80mm Head Screw (4) (for attaching column extension to base)

10. M6 x 1 x 12mm Pan Head Screws (2) (for attaching tool and chisel holder)
11. Spring
12. Bushing (for use with extra long chisels)
13. M6 Lockwashers (2) (for assembling tool and chisel holder)
14. 1/2" Mortising Chisel and Bit
15. 3/8" Mortising Chisel and Bit
16. 5/16" Mortising Chisel and Bit
17. 1/4" Mortising Chisel and Bit

ASSEMBLY

⚠ WARNING: For your own safety, do not connect the machine to the power source until the machine is completely assembled and you read and understand the entire instruction manual.

ASSEMBLY TOOLS REQUIRED

Chuck Key/Wrench (Supplied)

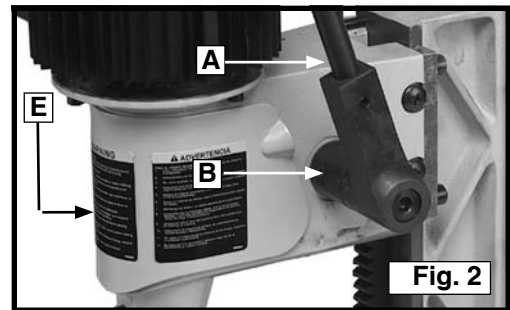
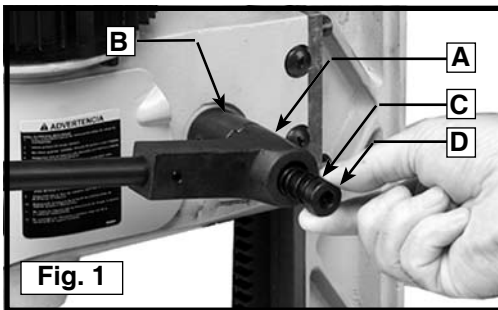
ASSEMBLY TIME ESTIMATE

Assembly for this machine takes less than 30 minutes.

HOW TO RAISE AND LOWER THE HANDLE

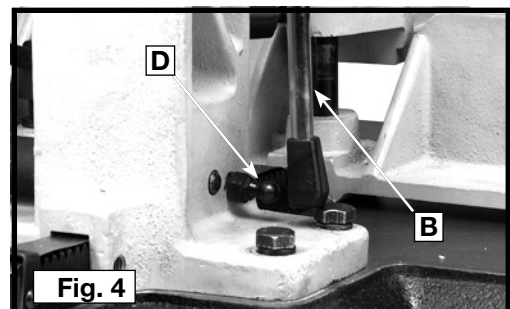
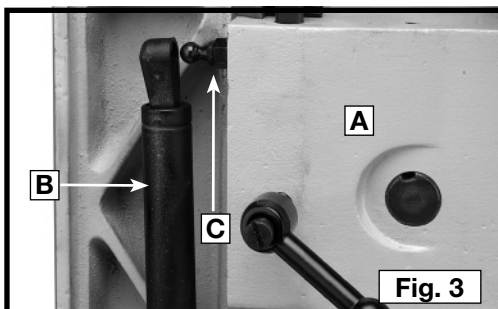
1. Attach the hub of the handle assembly (A) Fig. 1 to the end of the pinion shaft (B). Fasten the handle to the pinion shaft using the special screw (C) and spring (D).
2. Raise the mortising machine head (E) Fig. 2 to the "up" position by turning the handle (A) clockwise.

NOTE: The handle (A) is spring-loaded. Reposition it by pulling it out and moving it on pinion shaft (B).



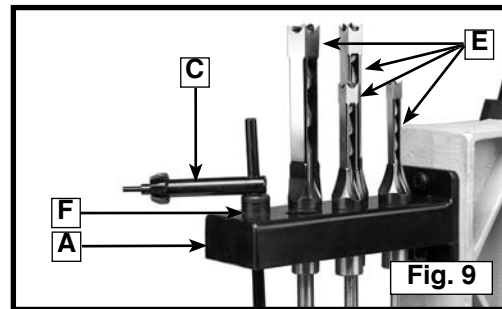
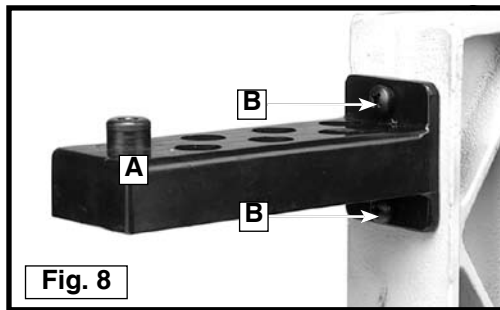
ATTACHING THE HYDRAULIC CYLINDER

Place the head (A) Fig. 3 in the "up" position. Attach the hydraulic cylinder (B) to the two fittings, one located on the back of the head (C) Fig. 3, and the other on the column (D) Fig. 4. Push each end of the hydraulic cylinder on its fitting to secure the cylinder.



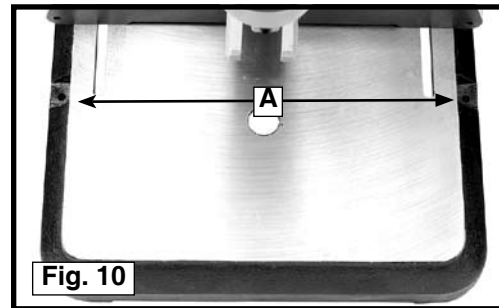
HOW TO ATTACH THE TOOL AND CHISEL HOLDER

1. Attach the tool and chisel holder (A) Fig. 8 to the back of the column, using the two M6x12mm screws (B) and M6 flat washers.
2. Fig. 9 illustrates the stored chuck key/wrench (C), bushing (F) for use with extra long chisels, and chisels and bits (E).



HOW TO FASTEN THE MACHINE TO A SUPPORTING SURFACE

If the machine has any tendency to tip over, slide, or walk on the supporting surface, you must secure the base of the machine to a supporting surface with fasteners (not supplied) through the two holes (A) Fig. 10, located in the Mortiser base.

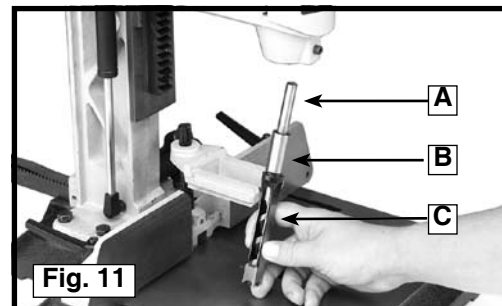


HOW TO ATTACH THE CHISEL AND BIT

⚠ WARNING Disconnect the machine from the power source!

1. Insert the bit (A) Fig. 11 in the chisel (B).

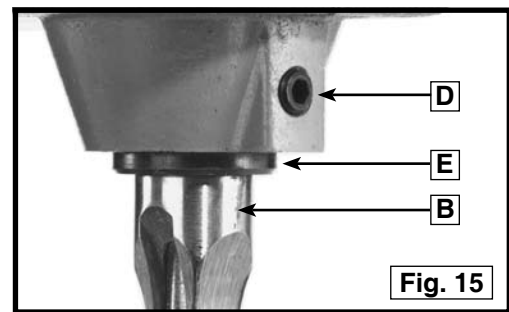
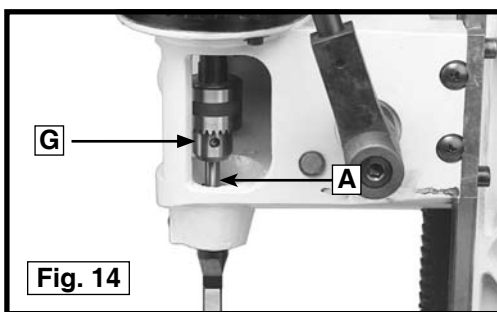
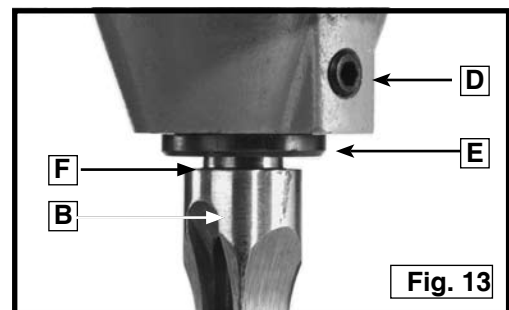
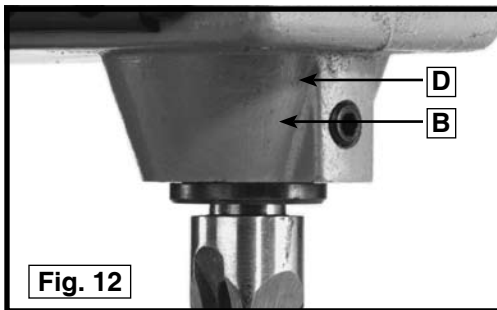
NOTE: The opening (C) on the side of the chisel (that allows chips to escape) should always face the side - never the front or rear.



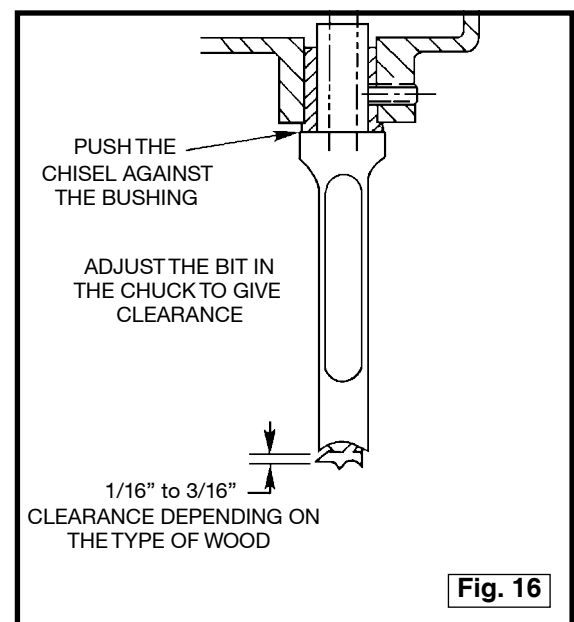
- Loosen the screw (D) Fig. 12, and push the chisel (B) up through the hole in the head as far as possible. Lower the chisel (B) 1/16" to 3/16" and tighten the set screw (D).

IMPORTANT: When inserting the chisel (B) Fig. 13 into the head, leave a space of 1/16" to 3/16" clearance (F) between the bushing (E) and the shoulder of the chisel (B).

- Push the bit (A) Fig. 14 up through the chisel and into the chuck (G) as far as it will go. Lock the bit in the chuck using the supplied chuck key.
- Loosen the set screw (D) Fig. 15, and push the chisel (B) against the bottom of the bushing (E), and tighten the set screw (D) to provide the proper distance between the cutting lips of the bit and the points of the chisel.



- Adjust the flat portion of the bit to a minimum of 1/16" below the bottom of the chisel. Certain types of wood may require an increase in this gap up to a maximum of 3/16" (Fig. 16).

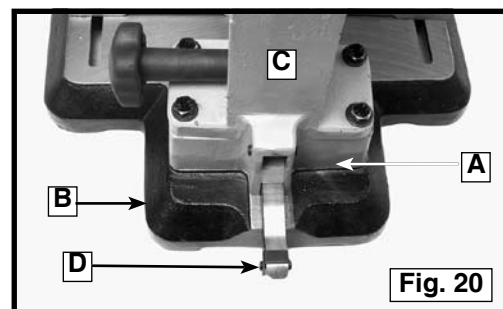
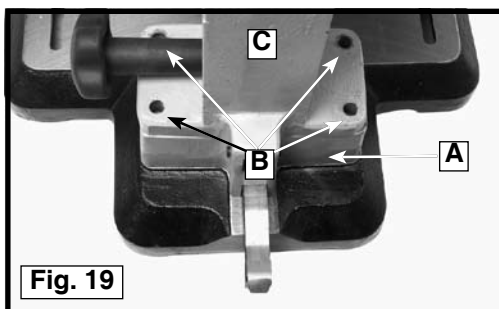
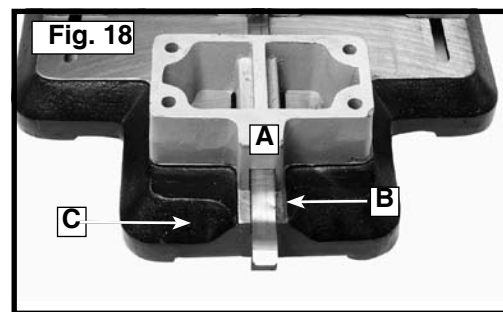
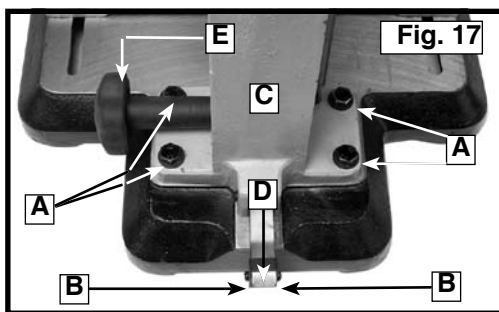


HOW TO ATTACH THE COLUMN EXTENSION

You can extend the column to mortis taller work pieces. To extend the column:

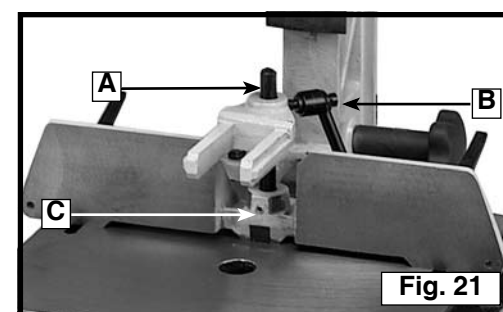
⚠ WARNING Disconnect the machine from the power source!

1. Take out the two screws (B) Fig. 17 and remove the rack cover bracket (D).
2. Remove the four screws, lockwashers, and flat washers (A) Fig. 17.
3. Rotate the handle (E) until the column assembly (C) Fig. 17 moves off the back of the rack and base.
4. Place the column extension (A) Fig. 18 on top of the rack (B). Align the four holes in the column extension (A) Fig. 15 with the four holes in the base (C).
5. Place the column assembly (C) Fig. 19 on top of the column extension (A) and align the four holes (B) in the column assembly with the four holes in the column extension (A).
6. Place the lockwasher and flat washer that were removed in **STEP 2** on an M8x1.25x80mm hex head screw.
7. Insert the screw through the hole in the column assembly (C) Fig. 20 and the column extension (A). Thread it into the base (B). Repeat this process for the three remaining holes.
8. Replace the rack cover bracket (D) Fig. 20 that was removed in **STEP 1**.
9. Loosen the hold down knob (B) Fig. 21 and remove the hold-down. Loosen the set screw (C) and remove the hold down rod (A) and replace with the extended hold-down rod. Tighten the set screw (C). Place the hold-down (B) on the hold-down rod and tighten the hold-down handle (B).



NOTE: Reverse the procedure to remove the column extension.

CAUTION To prevent damage to the unit, place the rack cover over the gear. This action will prevent the cover from being trapped between the rack and the gear.

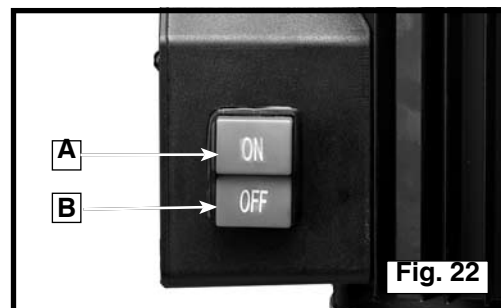


OPERATION

OPERATIONAL CONTROLS AND ADJUSTMENTS

HOW TO START AND STOP THE MACHINE

The power switch is located on the left side of the Mortiser. To turn the Mortiser "ON", press the green start button (A) Fig. 22. To stop the Mortiser, push the red button (B).



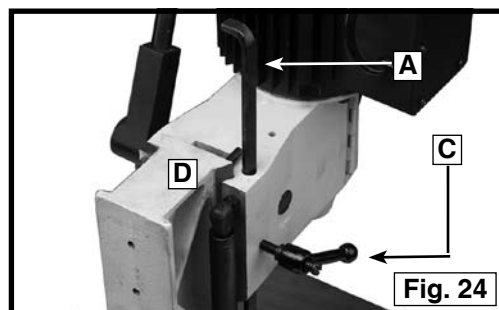
HOW TO LOCK THE SWITCH IN THE "OFF" POSITION

IMPORTANT: When the machine is not in use, the switch should be locked in the "OFF" position to prevent unauthorized use, using a padlock (A) Fig. 23 with a 3/16" diameter shackle.

HOW TO ADJUST THE DEPTH STOP ROD



The depth stop rod (A) Fig. 24 limits the depth of the chisel. To adjust the depth stop rod (A), loosen the lever (C) and lower the head. When the head is at the desired location, lower the depth stop rod (A) until it contacts the top of the column (D) and tighten the lever (C).

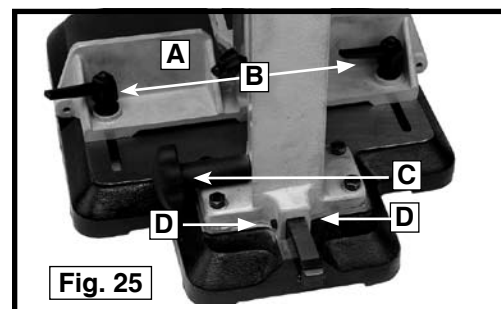


HOW TO ADJUST THE FENCE

You can move the fence (A) Fig. 25 in or out by loosening the lock handles (B), and rotating the fence rack handle (C). Tighten the handles (B) after the move.

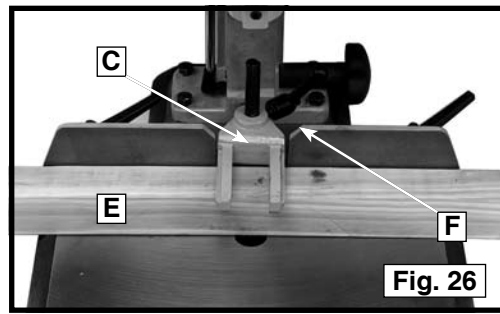
NOTE: The levers (B) are spring-loaded and can be repositioned. Pull out on the lever and reposition it on the serrated nut located underneath the lever.

Your fence comes adjusted from the factory. If the fence feels loose during adjustment, adjust the two set screws (D) Fig. 25 snugly against the Fence rack.



HOW TO ADJUST THE HOLD-DOWN

The hold-down (C) Fig. 26 prevents the work piece (E) from lifting as the chisel rises out of the hole. To adjust the hold-down, loosen the handle (F), position the hold-down so that it just touches the top of the work piece (E), then tighten the handle. You can turn the hold-down (C) upside down to accommodate thicker work pieces.



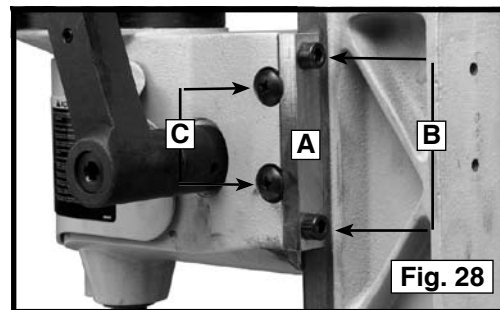
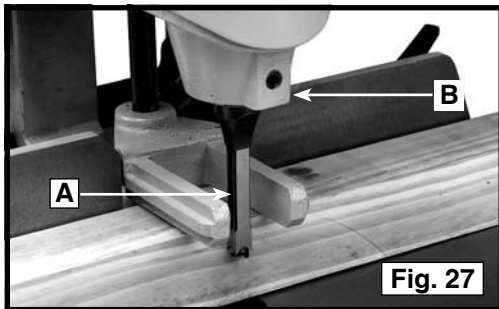
HOW TO ADJUST THE CHISEL PARALLEL TO THE WORK PIECE

You can adjust the chisel (A) Fig. 27 parallel to the work piece by loosening the screw (B) and rotating the chisel until the back surface of the chisel is touching the work piece. Tighten the screw (B).

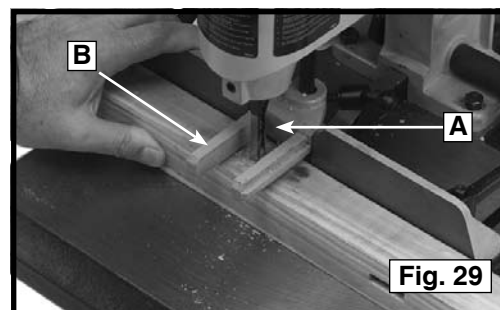
HOW TO ADJUST THE SLIDING FIT BETWEEN THE HEAD AND THE COLUMN

A dovetail gib (A) Fig. 28 ensures a good sliding fit between the head and the column. Make the adjustment by loosening the two screws (B) and turning the adjusting screws (C). Tighten the two screws (B).

NOTE: The adjustment is correct when no side movement between the gib and the column is evident. Adjust the gib so that it is not so tight as to restrict the sliding movement or so loose that it affects accuracy.



1. Keep chisels and bits sharp.
2. A typical mortis operation is illustrated in Fig. 29. Note that the opening (A) in the chisel is to the right. Move your work piece from left to right for subsequent cuts to allow chips to escape freely.
3. Hold the work piece firmly against the fence. Ensure that the hold-down (B) Fig. 27 is properly adjusted. The rate of penetration of the chisel must be fast enough to prevent burning at the tip of the bit, but not too fast as to stall the motor. You may encounter smoke from the bit or the work piece. Smoke is a natural operating occurrence, caused by friction and burning of resins. Bluing of the chisel after initial use is not indicative of a dull chisel, but rather is a combination of friction and built-up resin on the cutting face of the chisel. You can detect a dull chisel by the amount of excess force required to complete a cut.
4. When performing a through mortise, place a thin piece of wood between the work piece and the table to prevent "chip-out" at the bottom of the mortise.



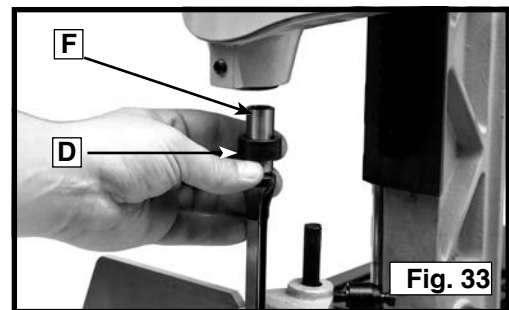
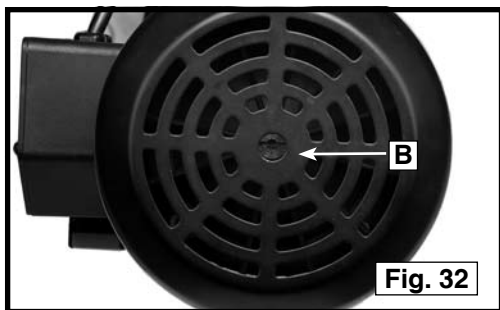
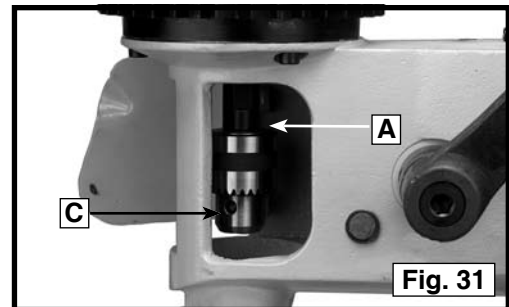
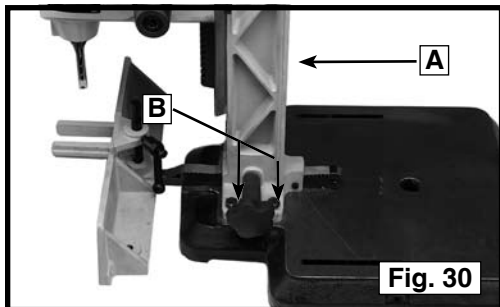
HOW TO ROTATE THE COLUMN 180 DEGREES

The column (A) Fig. 30 can be rotated 180 degrees for special cuts. To rotate the column, remove the four screws, two of which are shown at (B), rotate the column (A) 180 degrees, and replace the four screws (B).

⚠ WARNING You must secure the base to a supporting surface.

HOW TO USE BITS WITH EXTRA LONG SHANKS

When using bits with extra long shanks, remove the extension (A) Fig. 30. Insert a screwdriver into the slot (B) Fig. 32 in the end of the armature shaft on top of the motor (B) Fig. 32. Use a chuck key to unscrew and remove the chuck (C) Fig. 31 and extension (A). Remove the extension (A) from the chuck (C) and replace the chuck (C). You can also use the chisel spacer. Place the chisel spacer (D) Fig. 33 on the chisel shank (F) and insert the chisel into the chisel holder. Tighten the chisel holder securely.



TROUBLESHOOTING

For assistance with your machine, visit our website at www.DeltaMachinery.com for a list of service centers or call the DELTA® Power Equipment Corporation help line at 1-800-223-7278.

MAINTENANCE

KEEP MACHINE CLEAN

Periodically blow out all air passages with dry compressed air. All plastic parts should be cleaned with a soft damp cloth. NEVER use solvents to clean plastic parts. They could possibly dissolve or otherwise damage the material.

⚠ WARNING: Wear certified safety equipment for eye, hearing and respiratory protection while using compressed air.

FAILURE TO START

Should your machine fail to start, check to make sure the prongs on the cord plug are making good contact in the outlet. Also, check for blown fuses or open circuit breakers in the line.

LUBRICATION & RUST PROTECTION

Apply household floor paste wax to the machine table, extension table or other work surface weekly. Or use a commercially available protective product designed for this purpose. Follow the manufacturer's instructions for use and safety. To clean cast iron tables of rust, you will need the following materials: a sheet of medium Scotch-Brite™ Blending Hand Pad, a can of WD-40® and a can of degreaser. Apply the WD-40 and polish the table surface with the Scotch-Brite pad. Degrease the table, then apply the protective product as described above.

SERVICE

REPLACEMENT PARTS

Use only identical replacement parts. For a parts list or to order parts, visit our website at www.DeltaMachinery.com/service. You can also order parts from your nearest factory-owned branch, or by calling our Customer Care Center at 1-800-223-7278 to receive personalized support from highly-trained technicians.

FREE WARNING LABEL REPLACEMENT

If your warning labels become illegible or are missing, call 1-800-223-7278 for a free replacement.



SERVICE AND REPAIRS

All quality tools will eventually require servicing and/or replacement of parts. For information about DELTA® Power Equipment Corporation, its factory-owned branches, or an Authorized Warranty Service Center, visit our website at www.DeltaMachinery.com or call our Customer Care Center at 1-800-223-7278. All repairs made by our service centers are fully guaranteed against defective material and workmanship. We cannot guarantee repairs made or attempted by others.

You can also write to us for information at DELTA® Power Equipment Corporation, 99 Roush Street, Anderson, South Carolina 29625 - Attention: Product Service. Be sure to include all of the information shown on the nameplate of your tool (model number, type, serial number, etc.)

ACCESSORIES

A complete line of accessories is available from your DELTA® Supplier, DELTA® Factory Service Centers, and DELTA® Authorized Service Centers. Please visit our Web Site www.DeltaMachinery.com for an online catalog or for the name of your nearest supplier.

⚠ WARNING: Since accessories other than those offered by DELTA® have not been tested with this product, use of such accessories could be hazardous. For safest operation, only DELTA® recommended accessories should be used with this product.

WARRANTY

To register your tool for warranty service visit our website at www.DeltaMachinery.com.

Five Year Limited New Product Warranty

DELTA® will repair or replace, at its expense and at its option, any new DELTA® machine, machine part, or machine accessory which in normal use has proven to be defective in workmanship or material, provided that the customer returns the product prepaid to a DELTA® factory service center or authorized service station with proof of purchase of the product within five years and provides DELTA® with reasonable opportunity to verify the alleged defect by inspection. For all refurbished DELTA® product, the warranty period is 180 days. DELTA® will not be responsible for any asserted defect which has resulted from normal wear, misuse, abuse or repair or alteration made or specifically authorized by anyone other than an authorized DELTA® service facility or representative. Under no circumstances will DELTA® be liable for incidental or consequential damages resulting from defective products. Some states do not allow the exclusion or limitation of incidental or consequential damages, so the above limitation or exclusion may not apply to you. This warranty is DELTA®'s sole warranty and sets forth the customer's exclusive remedy, with respect to defective products; all other warranties, express or implied, whether of merchantability, fitness for purpose, or otherwise, are expressly disclaimed by DELTA®. For further detail of warranty coverage and warranty repair information, visit www.DeltaMachinery.com or call 1-800-223-7278. This warranty gives you specific legal rights and you may have other rights which vary in certain states or provinces.

LATIN AMERICA: This warranty does not apply to products sold in Latin America. For products sold in Latin America, see country specific warranty information contained in the packaging, call the local company or see website for warranty information.

LES INSTRUCTIONS IMPORTANTES DE SURETE

⚠ AVERTISSEMENT : Lire et comprendre toutes instructions d'avertissements et operation avant d'utiliser n'importe quell outil ou n'importe quell equipement. En utilisant les outils ou l'equipement, les precautions de surete fondamentales toujours devraient etre suivies pour reduire le risqué de blessure personnelle. L'operation deplacee, l'entretien ou la modification d'outils ou d'equipement ont pour resultat la blessure serieux et les dommages de propriete. Il y a de certaines applications pour lequell outils et l'equipement sont concus. Ce produit NE devraait etre modifie en aucune facon et/ou utilize pour aucune application autre que celle pour laquelle il a ete concu.

Si vous avez n'importe quelles questions relatives r son application n'utilisent pas le produit jusqu'r ce que vous avez écrit et nous vous avons conseillé.

La forme en ligne de contact r www.DeltaMachinery.com Courrier Postal: Technical Service Manager

DELTA® Power Equipment Corporation

99 Roush Street, Anderson, South Carolina 29625

Information en ce qui concerne l'opération sûre et correcte de cet outil est disponible des sources suivantes:

Power Tool Institute

1300 Sumner Avenue, Cleveland, OH 44115-2851

www.powertoolinstitute.com

National Safety Council

1121 Spring Lake Drive, Itasca, IL 60143-3201

American National Standards Institute, 25 West 43rd Street, 4 floor, New York, NY 10036 www.ansi.org ANSI 01.1 Safety Requirements for Woodworking Machines, and the U.S. Department of Labor regulations www.osha.gov

MESURES DE SÉCURITÉ - DÉFINITIONS

Ce guide contient des renseignements importants que vous deviez bien saisir. Cette information porte sur **VOTRE SÉCURITÉ** et sur **LA PRÉVENTION DE PROBLÈMES D'ÉQUIPEMENT**. Afin de vous aider r identifier cette information, nous avons utilisé les symboles ci-dessous. Veuillez lire attentivement ce guide en portant une attention particulière r ces sections.

⚠ DANGER :

Indique un danger imminent qui, s'il n'est pas évité, causera de graves blessures ou la mort.

⚠ AVERTISSEMENT :

Indique la possibilité d'un danger qui, s'il n'est pas évité, pourrait causer de graves blessures ou la mort.

⚠ ATTENTION :

Indique la possibilité d'un danger qui, s'il n'est pas évité, peut causer des dommages à la propriété.

ATTENTION :

Sans le symbole d'alerte. Indique la possibilité d'un danger qui, s'il n'est pas évité, peut causer des dommages; mineures ou moyennes.

⚠ AVERTISSEMENT : La poussière produite par le ponçage électrique le sciage, le meulage, le perçage et autres activités de construction peut contenir des produits chimiques qui sont reconnus, par l'état de la Californie, de causer le cancer, les anomalies congénitales ou autres maux de reproduction. Ces produits chimiques comprennent, entre autres :

- le plomb provenant des peintures r base de plomb;
- la silice cristalline provenant de briques, de béton ou d'autres produits de maçonnerie
- l'arsenic et le chrome provenant du bois de charpente traité chimiquement

Le risque d'exposition r ces produits dépend de la fréquence d'exécution de ce genre de travaux. Afin de réduire l'exposition r ces produits chimiques, travaillez dans un endroit bien aéré et utilisez de l'équipement de sécurité approuvé, portez toujours un masque facial ou respirateur homologué **MSHA/NIOSH** bien ajusté lorsque vous utilisez de tels outils.

CONSERVEZ CES INSTRUCTIONS!

REGLES DE SECURITE GENERALES

▲ AVERTISSEMENT : L'inobservation de ces règles peut conduire à des blessures graves.

- 1. POUR SA SÉCURITÉ PERSONNELLE, LIRE LA NOTICE D'UTILISATION, AVANT DE METTRE LA MACHINE EN MARCHÉ,** et pour aussi apprendre l'application et les limites de la machine ainsi que les risques qui lui sont particuliers ainsi, les possibilités d'accident et de blessures seront beaucoup réduites.
- 2. PORTEZ DES DISPOSITIFS DE PROTECTION DES YEUX ET DE L'OUÏE. UTILISEZ TOUJOURS DES LUNETTES DE SÉCURITÉ.** Des lunettes ordinaires ne constituent PAS des lunettes de sécurité. **UTILISEZ DES ÉQUIPEMENTS DE SÛRETÉ HOMOLOGUÉS.** Les dispositifs de protection des yeux doivent être conformes aux normes ANSI Z87.1. Les dispositifs de protection de l'ouïe doivent être conformes aux normes ANSI S3.19.
- 3. PORTER UNE TENUE APPROPRIÉE.** Pas de cravates, de gants, ni de vêtements amples. Enlever montre, bagues et autres bijoux. Rouler les manches. Les vêtements ou les bijoux qui se trouvent pris dans les pièces mobiles peuvent entraîner des blessures.
- 4. NE PAS UTILISER LA MACHINE DANS UN ENVIRONNEMENT DANGEREUX.** L'utilisation d'outils électriques dans des endroits humides ou sous la pluie peut entraîner des décharges électriques ou une électrocution. Garder la zone de travail bien éclairée pour éviter de trébucher ou d'exposer les doigts, les mains ou les bras à une situation dangereuse.
- 5. GARDER LES OUTILS ET LES MACHINES EN PARFAIT ÉTAT.** Garder les outils affûtés et propres afin d'obtenir le meilleur et le plus sûr rendement. Suivre les instructions pour lubrifier et changer les accessoires. Les outils et les machines mal entretenus peuvent se dégrader davantage, et/ou entraîner des blessures.
- 6. INSPECTER LES PIÈCES POUR DÉCELER TOUT DOMMAGE.** Avant d'utiliser la machine, la vérifier pour voir s'il n'y a pas de pièces endommagées. Vérifier l'alignement des pièces mobiles et si ces pièces ne se coincent pas, la rupture de pièces, ou toute autre condition pouvant en affecter le fonctionnement. Toute pièce ou protecteur endommagé doit être réparé ou remplacé. Les pièces endommagées peuvent dégrader davantage la machine et/ou entraîner des blessures.
- 7. GARDER L'AIRE DE TRAVAIL PROPRE.** Les zones et établis encombrés favorisent les accidents.
- 8. GARDER LES ENFANTS ET LES VISITEURS À DISTANCE.** L'atelier est un lieu potentiellement dangereux. Les enfants et les visiteurs peuvent se blesser.
- 9. ÉVITER LE DÉMARRAGE ACCIDENTEL.** S'assurer que l'interrupteur est sur « OFF » (ARRÊT) avant de brancher le cordon. En cas de coupure de courant, placer l'interrupteur à la position « OFF » (ARRÊT). Un démarrage accidentel peut entraîner des blessures.
- 10. UTILISER LES DISPOSITIFS PROTECTEURS.** Vérifier que tous les dispositifs protecteurs sont bien en place, bien fixés et en bon état de marche pour éviter les blessures.
- 11. ENLEVER LES CLÉS DE RÉGLAGE ET CELLES DE SERRAGE AVANT DE METTRE LA MACHINE EN MARCHÉ.** Les outils, les chutes et les autres débris peuvent être projetés violemment et blesser.
- 12. UTILISER LA BONNE MACHINE.** Ne pas forcer la machine ou l'accessoire à faire un travail pour lequel il n'a pas été conçu. Des dommages à la machine et/ou des blessures pourraient s'ensuivre.
- 13. UTILISER LES ACCESSOIRES RECOMMANDÉS.** L'utilisation d'accessoires non recommandés par DELTA® peut endommager la machine et blesser l'utilisateur.
- 14. UTILISER LE CORDON PROLONGATEUR APPROPRIÉ.** S'assurer que le cordon prolongateur est en bon état. Lorsqu'un cordon prolongateur est utilisé, s'assurer que celui-ci est d'un calibre suffisant pour l'alimentation nécessaire à la machine. Un cordon d'un calibre insuffisant entraînera une perte de tension d'où une perte de puissance et surchauffe. Voir le tableau sur les cordons prolongateurs pour obtenir le calibre approprié selon la longueur du cordon et l'ampérage de la machine. S'il y a un doute, utiliser un cordon d'un calibre supérieur. Plus le chiffre est petit, plus le fil est gros.
- 15. FIXER LA PIÈCE.** Utilisez les brides ou l'étau quand vous ne pouvez pas fixer l'objet sur la table et contre la barrière à la main ou quand votre main sera dangereusement près de la lame (à moins de 6").
- 16. AVANCER LA PIÈCE DANS LE SENS CONTRAIRE À LA ROTATION DE LA LAME, DE LA FRAISE OU DE LA SURFACE ABRASIVE.** L'alimentation dans l'autre sens peut entraîner une projection violente de la pièce.
- 17. NE PAS FORCER LA MACHINE EN AVANÇANT LA PIÈCE TROP VITE.** Des dommages et/ou des blessures peuvent s'ensuivre.
- 18. NE PAS SE PENCHER AU-DESSUS DE LA MACHINE.** Une perte de l'équilibre peut entraîner une chute sur la machine en marche et causer des blessures.
- 19. NE JAMAIS MONTER SUR LA MACHINE.** On peut se blesser gravement si la machine bascule ou si l'on touche accidentellement son outil tranchant.
- 20. NE JAMAIS LAISSER LA MACHINE EN MARCHÉ SANS SURVEILLANCE. COUPER LE COURANT.** Ne pas quitter la machine tant qu'elle n'est pas complètement arrêtée. Un enfant ou un visiteur pourrait se blesser.
- 21. METTRE LA MACHINE À L'ARRÊT « OFF » ET LA DÉBRANCHER** avant d'installer ou d'enlever des accessoires, d'ajuster ou de changer des montages, ou lors des réparations. Un démarrage accidentel peut entraîner des blessures.
- 22. METTRE L'ATELIER À L'ABRI DES ENFANTS AU MOYEN DE CADENAS, D'INTERRUPTEURS PRINCIPAUX OU EN ENLEVANT LES BOUTONS DES DISPOSITIFS DE MISE EN MARCHÉ.** Le démarrage accidentel de la machine par un enfant ou un visiteur peut entraîner des blessures.
- 23. RESTER VIGILANT, ATTENTIF, ET FAIRE PREUVE DE BON SENS. NE PAS UTILISER LA MACHINE LORSQUE L'ON EST FATIGUÉ OU SOUS L'INFLUENCE DE DROGUES, D'ALCOOL OU DE MÉDICAMENTS.** Un instant d'inattention lors de l'utilisation d'outils électriques peut entraîner des blessures graves.
- 24. ▲ AVERTISSEMENT :** L'UTILISATION DE CET OUTIL PEUT PRODUIRE ET DISPENSER DE LA POUSSIÈRE OU D'AUTRES PARTICULES EN SUSPENSION DANS L'AIR, TELLES QUE LA SCIURE DE BOIS, LA POUSSIÈRE DE SILICUM CRISTALLIN ET LA POUSSIÈRE D'AMIANTE. Dirigez les particules loin du visage et du corps. Faites toujours fonctionner l'outil dans un espace bien ventilé et prévoyez l'évacuation de la poussière. Utilisez un système de dépoussiérage chaque fois que possible. L'exposition à la poussière peut causer des problèmes de santé graves et permanents, respiratoires ou autres, tels que la silicose (une maladie pulmonaire grave) et le cancer, et même le décès de la personne affectée. Évitez de respirer de la poussière et de rester en contact prolongé avec celle-ci. En laissant la poussière pénétrer dans vos yeux ou votre bouche, ou en la laissant reposer sur votre peau, vous risquez de promouvoir l'absorption de substances toxiques. Portez toujours des dispositifs de protection respiratoire homologués par NIOSH/ OSHA, appropriés à l'exposition à la poussière et de taille appropriée, et lavez à l'eau et au savon les surfaces de votre corps qui ont été exposées.

RÈGLES SPÉCIFIQUES ADDITIONNELLES DE SÛRETÉ

⚠ AVERTISSEMENT : L'inobservation de ces règles peut conduire à des blessures graves.

- DO NOT OPERATE THIS MACHINE** until it is completely assembled and installed according to the instructions. A machine incorrectly assembled can cause serious injury.
- OBTAIN ADVICE** from your supervisor, instructor, or another qualified person if you are not thoroughly familiar with the operation of this machine. Knowledge is safety.
- FOLLOW ALL WIRING CODES** and recommended electrical connections to prevent shock or electrocution.
- SECURE THE MACHINE TO A SUPPORTING SURFACE.** Vibration can cause the machine to slide, walk, or tip over.
- NEVER START THE MACHINE BEFORE CLEARING THE TABLE OF ALL OBJECTS** (tools, scrap pieces, etc.). Debris can be thrown at high speed.
- NEVER START THE MACHINE** with the drill bit or cutting tool against the work piece. Loss of control of the work piece can cause serious injury.
- PROPERLY LOCK THE DRILL BIT OR CUTTING TOOL IN THE UNIT** before operating this machine.
- ADJUST** the depth stop to avoid drilling into the table.
- DO NOT** attempt to mortise material that does not have a flat surface, unless a suitable support is used.
- USE ONLY DRILL BITS, CUTTING TOOLS, OR OTHER ACCESSORIES** with shank size recommended in your instruction manual. The wrong size accessory can cause damage to the machine and/or serious injury.
- USE ONLY DRILL BITS OR CUTTING TOOLS** that are not damaged. Damaged items can cause malfunctions that lead to injuries.
- USE RECOMMENDED SPEEDS** for all operations. Other speeds may cause the machine to malfunction causing damage to the machine and/or serious injury.
- AVOID AWKWARD OPERATIONS AND HAND POSITIONS.** A sudden slip could cause a hand to move into the bit.
- KEEP ARMS, HANDS, AND FINGERS** away from the bit. Serious injury to the hand can occur.
- ALWAYS** position the hold down directly over the work piece to prevent the work piece from lifting during operation. Loss of control of the work piece can cause serious injury.
- TURN THE MACHINE "OFF" AND WAIT FOR THE DRILL BIT, CUTTING TOOL, OR SANDING DRUM TO STOP TURNING** prior to cleaning the work area, removing debris, removing or securing work-piece, or changing the angle of the table. A moving drill bit or cutting tool can cause serious injury.
- PROPERLY SUPPORT LONG OR WIDE** work-pieces. Loss of control of the work piece can cause severe injury.
- NEVER PERFORM LAYOUT, ASSEMBLY OR SET-UP WORK** on the table/work area when the machine is running. Serious injury can result.
- TURN THE MACHINE "OFF"**, disconnect the machine from the power source, and clean the table/work area before leaving the machine. **LOCK THE SWITCH IN THE "OFF" POSITION** to prevent unauthorized use. Someone else might accidentally start the machine and cause serious injury to themselves.
- ADDITIONAL INFORMATION** regarding the safe and proper operation of power tools (i.e. a safety video) is available from the Power Tool Institute, 1300 Sumner Avenue, Cleveland, OH 44115-2851 (www.powertoolinstitute.com). Information is also available from the National Safety Council, 1121 Spring Lake Drive, Itasca, IL 60143-3201. Please refer to the American National Standards Institute ANSI O1.1 Safety Requirements for Woodworking Machines and the U.S. Department of Labor OSHA 1910.213 Regulations.

CONSERVER CES DIRECTIVES.

Les consulter souvent et les utiliser pour donner des directives aux autres.

RACCORDEMENTS ÉLECTRIQUES

Un circuit électrique séparé doit être utilisé pour les machines. Les fils de ce circuit doivent être au moins de calibre 12. Ce circuit doit être protégé par un fusible temporisé de 20 A. Si on utilise un cordon prolongateur, ce cordon doit être à trois fils, avoir une fiche à trois broches et une prise de courant à trois cavités, mise à la terre qui correspond à la fiche de la machine. Avant debrancher la machine, s'assurer que l'interrupteur (les interrupteurs) se trouve(nt) en position « OFF » (ARRÊT) et que le courant électrique présente les mêmes caractéristiques que celles qui sont inscrites sur la machine. Toutes les connexions électriques doivent établir un bon contact. Le fonctionnement sur une basse tension endommagera la machine.

⚠ DANGER : Ne pas exposer la machine à la pluie, et ne pas l'utiliser dans des endroits humides.

SPÉCIFICATIONS DU MOTEUR

Cette machine est câblée pour un fonctionnement sur un courant alternatif de 120 volts 60 Hz. Avant de brancher la machine, s'assurer que l'interrupteur se trouve à la position « OFF » (ARRÊT).

INSTRUCTIONS DE MISE À LA TERRE

⚠ DANGER : Cette machine doit être mise à la terre pendant son emploi, afin de protéger l'utilisateur des décharges électriques.

1. **Toutes les machines avec cordon mis à la terre:** Dans l'éventualité d'un mauvais fonctionnement ou d'une panne, la mise à la terre fournit un trajet de moindre résistance permettant de réduire le risque de décharge électrique. Cette machine est dotée d'un cordon électrique possédant un conducteur de mise à la terre de l'équipement ainsi que d'une fiche mise à la terre. La fiche doit être branchée dans une prise de courant correspondante, installée de façon adéquate et mise à la terre conformément à tous les codes et règlements locaux.

Ne pas modifier la fiche fournie - si elle ne s'adapte pas à la prise de courant, il faut faire installer une prise de courant convenable par un électricien compétent.

Un mauvais raccordement du conducteur de mise à la terre de l'équipement peut entraîner un risque de décharge électrique. Le conducteur possédant un isolant avec surface extérieure de couleur verte, avec ou sans rayures jaunes, est le conducteur de mise à la terre de l'équipement. Si une réparation ou un remplacement du cordon électrique s'avère nécessaire, ne pas brancher le conducteur de mise à la terre de l'équipement à une borne sous tension.

Consulter un électricien compétent ou le personnel de service après-vente si on ne comprend pas entièrement les instructions de mise à la terre, ou si l'on doute que la machine soit correctement mise à la terre.

Utiliser seulement des cordons prolongateurs à trois fils dotés d'une fiche mise à la terre, à trois broches, et de prises à trois cavités convenant à la fiche de la machine, comme l'illustre la figure A. Réparer ou remplacer sans délai tout cordon endommagé ou usé.

2. **Machines avec cordon mis à la terre prévues pour une utilisation sur une alimentation nominale inférieure à 150 volts :** Si cette machine est prévue pour être utilisée sur un circuit qui comporte une prise semblable à celle illustrée à la figure A, la machine devra comporter une fiche mise à la terre semblable à celle illustrée à la figure A. Un adaptateur temporaire semblable à celui illustré à la figure B, peut être utilisé pour raccorder cette fiche à une prise à deux cavités comme celle illustrée à la figure B, si une prise correctement mise à la terre n'est pas disponible. L'adaptateur temporaire ne doit être utilisé que jusqu'au moment où une prise correctement mise à la terre est installée par un électricien compétent. L'oreiller rigide ou autre dispositif semblable de couleur verte, sur le dessus de l'adaptateur, doit être connecté sur une mise à la terre permanente comme, par exemple une boîte à prises correctement mise à la terre. Quand un adaptateur est utilisé, celui-ci doit être retenu en place par une vis en métal.

REMARQUE: Au Canada, le Code canadien de l'électricité ne permet pas l'emploi d'un adaptateur temporaire.

⚠ DANGER : Dans tous les cas, s'assurer que la prise en question est bien mise à la terre. Dans le doute, demander à un électricien compétent de vérifier la prise.

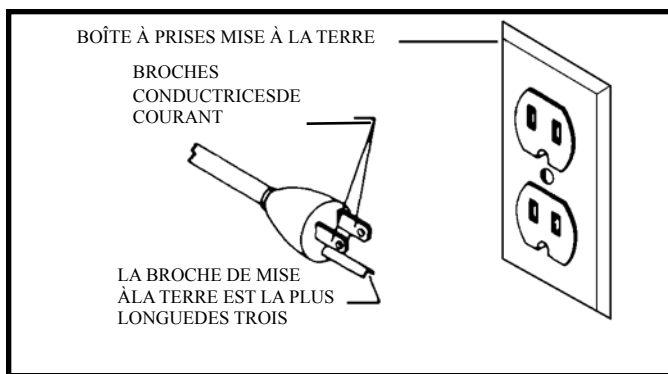


Fig. A

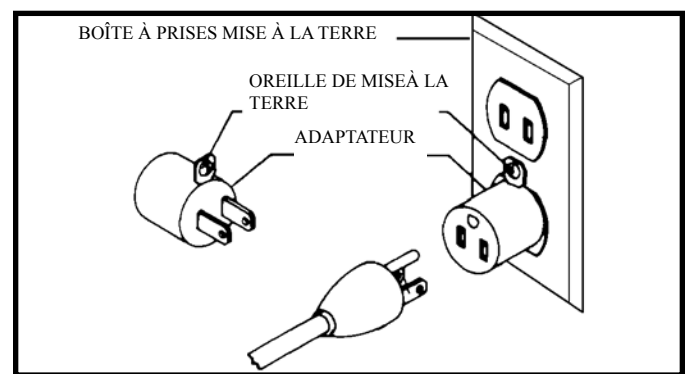


Fig. B

CORDON DE RALLONGE

⚠ AVERTISSEMENT : Employez les cordes appropriées de prolongation. S'assurez que votre corde de prolongation est en bon état. En utilisant une corde de prolongation, soyez sûr d'employer une assez lourde pour porter le courant de la machine. Une corde trop petite causera une baisse dans la tension secteur, ayant pour résultat la perte de puissance et de surchauffe. Fig. C expositions la mesure correcte à employer selon la longueur de corde. En cas de doute, utilisez la prochaine mesure plus lourde. Plus le nombre de mesure est petit, plus la corde est lourde.

MESUR MINIMUM DE CORDE D'EXTENSION			
TAILLES RECOMMANDÉES POUR L'USAGE AVEC STATIONNAIRES ÉLECTRIQUES LES OUTILS			
Estimation	Volts	Longueur Totale De Corde En Pieds	Mesure De Corde D'Am D'Extension
0-6	120	up to 25	18 AWG
0-6	120	25-50	16 AWG
0-60-	120	50-100	16 AWG
6	120	100-150	14 AWG
6-10	120	up to 25	18 AWG
6-10	120	25-50	16 AWG
6-10	120	50-100	14 AWG
6-10	120	100-150	12 AWG
10-12	120	up to 25	16 AWG
10-12	120	25-50	16 AWG
10-12	120	50-100	14 AWG
10-12	120	100-150	12 AWG
12-16	120	up to 25	14 AWG
12-16	120	25-50	12 AWG
12-16	120	50 PI PLUS GRANDS QUE NON RECOMMANDÉS	

Fig. C

DESCRIPTION FONCTIONNELLE

AVANT-PROPOS

Le modèle 14-651 de DELTA® est plus facile à utiliser qu'une perceuse à colonne traditionnelle dotée d'un accessoire pour mortaise. Pour plus de rigidité et de stabilité, l'outil est fabriqué en fonte et en acier et livré avec un mandrin standard à trois mâchoires pour la fixation solide des bédanes.

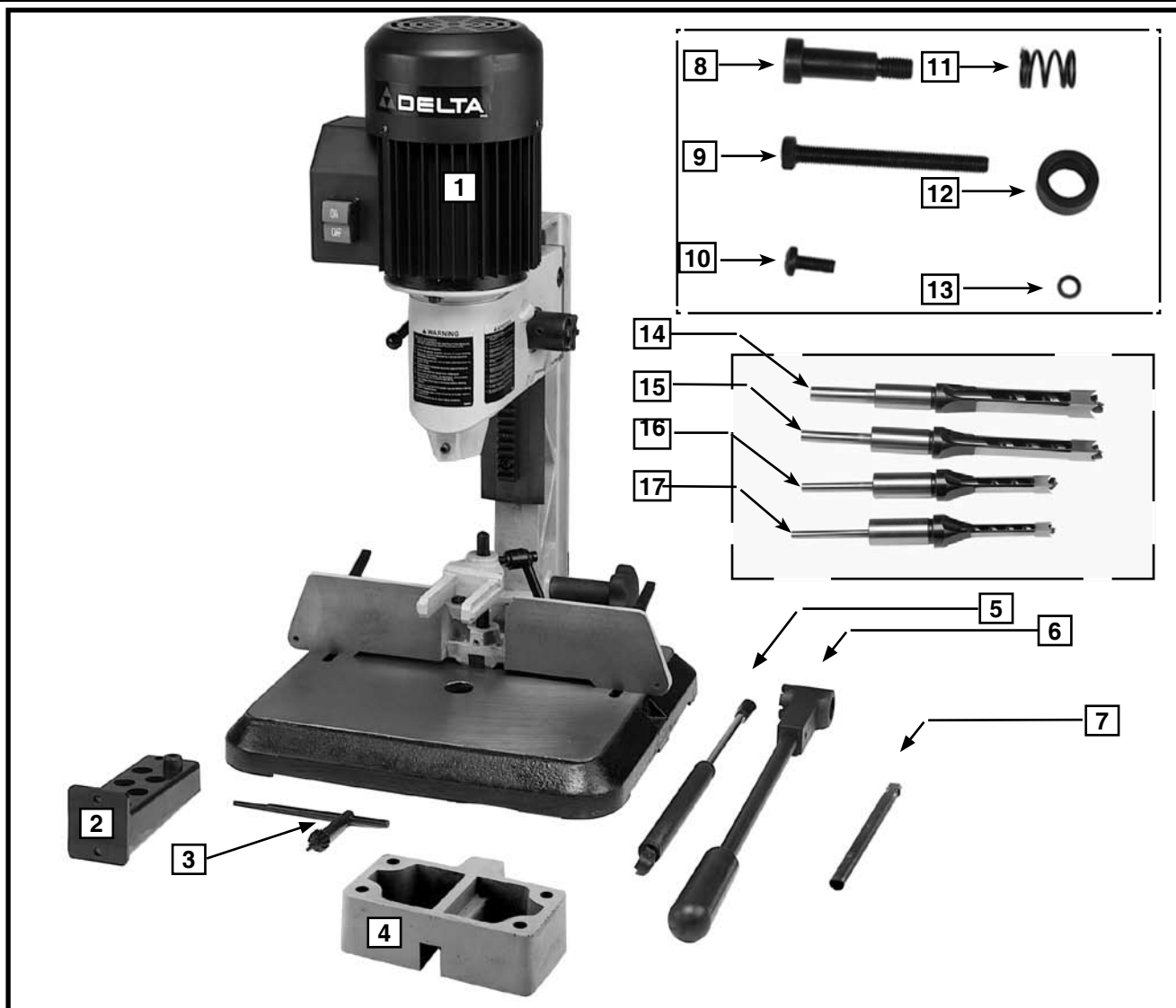
REMARQUE : La photo de la couverture du mode d'emploi illustre le modèle de production actuel. Les autres illustrations de ce mode d'emploi ne sont présentes qu'à titre indicatif et il est possible que les étiquettes et accessoires actuels diffèrent des caractéristiques réelles de ce modèle. Ces illustrations ont uniquement pour but d'illustrer la technique.

DÉSEMBALLAGE ET NETTOYAGE

Désemballer soigneusement la machine et toutes les pièces de ou des emballage(s) d'expédition. Retirer l'huile anticorrosion des surfaces non peintes à l'aide d'un chiffon doux humidifié avec de l'alcool, du diluant à peinture ou de l'alcool dénaturé.

⚠ ATTENTION : N'utiliser pas de solvants hautement volatils tel l'essence, le naphte, l'acétone ou du diluant à laque pour nettoyer. Après nettoyage, couvrir les surfaces non peintes d'une cire à parquets d'usage domestique de bonne qualité.

CONTENUS DE BOITE



1. Mortaiseuse
2. Porte-outil et porte-bédane
3. Clé de mandrin/Clé
4. Rallonge de colonne
5. Vérin hydraulique
6. Poignée
7. Longue tige de retenue (pour utilisation avec la rallonge de colonne)
8. Vis spéciale (pour relever et abaisser la poignée)
9. (4) vis de M8 x 1,25 x 80 mm (pour fixer la rallonge de colonne à la base)
10. (2) vis à tête cylindrique à dépouille de M6 x 1 x 12 mm (pour fixer le porte-outil et le porte-bédane)
11. Ressort
12. Bague (pour utilisation avec bédanes extra longs)
13. (2) rondelles de blocage M6 (pour fixer le porte-outil et le porte-bédane)
14. Bédane et mèche de 12,7 mm (1/2 po)
15. Bédane et mèche de 9,5 mm (3/8 po)
16. Bédane et mèche de 7,9 mm (5/16 po)
17. Bédane et mèche de 6,4 mm (1/4 po)

ASSEMBLAGE

⚠ WARNING: Pour réduire le risque de blessures corporelles graves, éteindre l'outil et le débrancher avant d'installer et de retirer tout accessoire, avant d'ajuster ou de modifier les réglages ou lors de réparations. Un démarrage accidentel peut provoquer des blessures.

OUTILS NÉCESSAIRES POUR L'ASSEMBLÉE

Clé de mandrin/Clé (fourni)

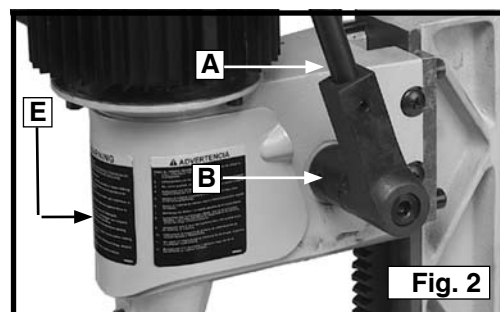
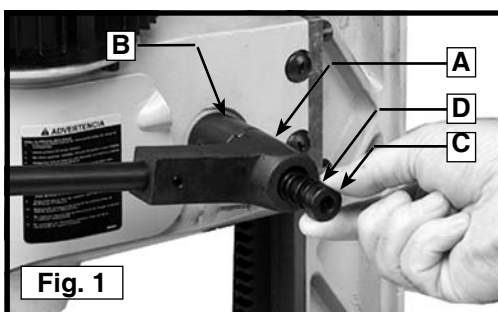
L'ESTIMATION DE TEMPS D'ASSEMBLÉE

L'Assemblée pour cette machine prend moins de 30 minutes.

LEVAGE ET ABAISSEMENT DE LA POIGNÉE

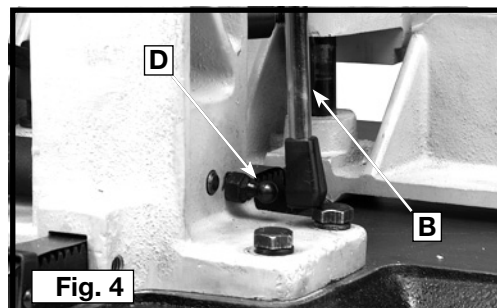
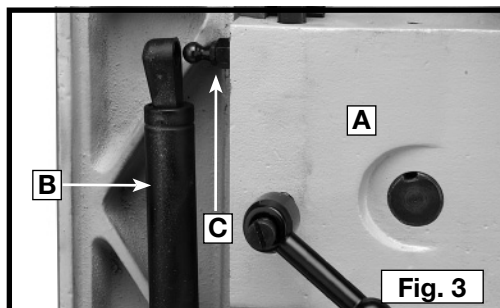
1. Fixer le moyeu du module de la poignée (A), fig. 1, sur l'extrémité de l'arbre pignon (B). Utiliser la vis spéciale (C) et le ressort (D) pour fixer la poignée à l'arbre pignon.
2. Tourner la poignée (A) dans le sens horaire pour relever la tête de la mortaiseuse en position « haute » (E), fig. 2.

REMARQUE : la poignée (A) est à ressort. La repositionner en tirant dessus et en la déplaçant sur l'arbre pignon (B).



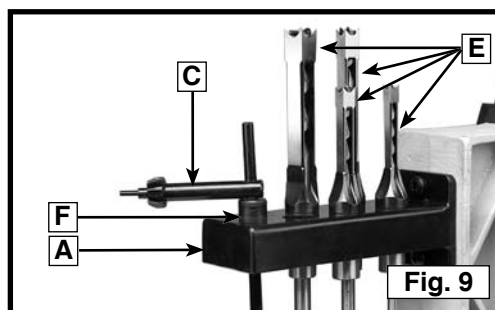
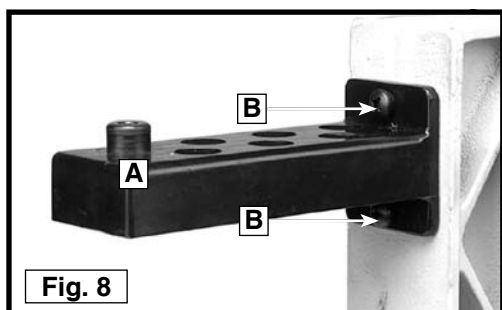
FIXATION DU VÉRIN HYDRAULIQUE

Placer la tête de la mortaiseuse en position « haute » (A), fig. 3. Fixer le vérin hydraulique (B) aux deux raccords, un situé au dos de la tête (C), fig. 3, et l'autre sur la colonne (D), fig. 4. Enfoncer chaque extrémité du vérin hydraulique dans les raccords pour fixer correctement le vérin.



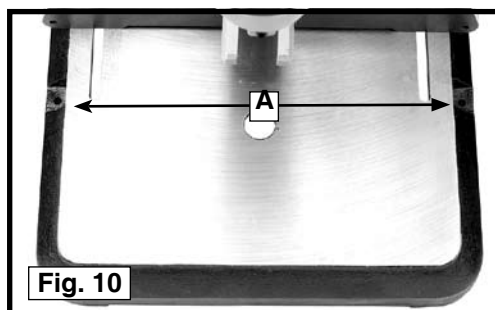
FIXATION DU SUPPORT À CISEAU/OUTIL

1. Fixer le porte-outil et porte-bédane (A), fig. 8, au dos de la colonne avec les deux vis de M6 x 1 x 12 mm (B) et les rondelles de blocage M6 et les rondelles plates.
2. La figure 9 illustre la clé de mandrin/clé (C), la bague (F) pour utilisation avec les bédanes extra longs et les bédanes et mèches (E).



ASSUJETTISSEMENT DE LA MACHINE À UNE SURFACE DE MAINTIEN

Si la machine tend à basculer, à glisser ou à se déplacer sur la surface portante, fixer solidement la base de la machine à celle-ci en insérant des attaches (non fournies) dans les deux trous (A), fig. 10, situés dans la base de la mortaiseuse.

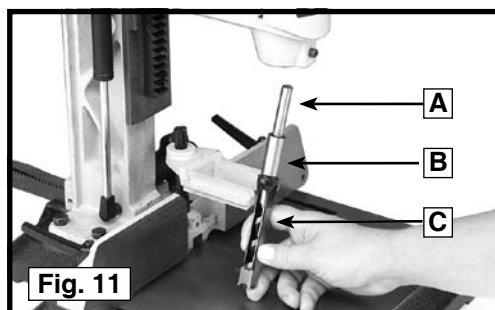


FIXATION DU CISEAU ET DE L'EMBOUT

⚠ AVERTISSEMENT : Débrancher la machine de la source de pouvoir !

1. Insérer la mèche (A), fig. 11, dans le bédane (B).

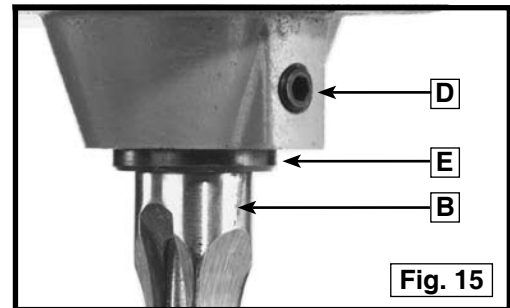
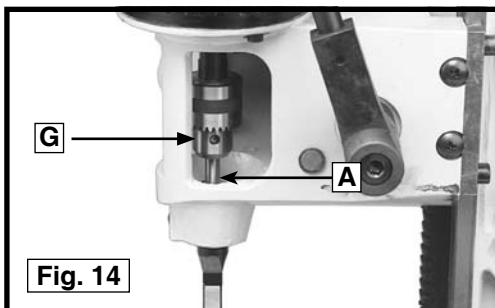
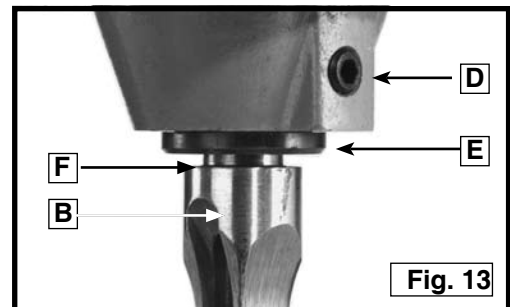
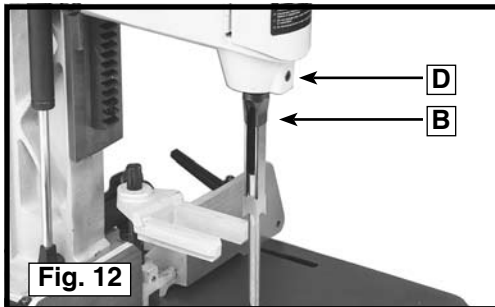
REMARQUE : l'ouverture (C) sur le côté du bédane (pour l'évacuation des copeaux) doit toujours faire face au côté. Ne jamais l'orienter vers l'avant ou l'arrière.



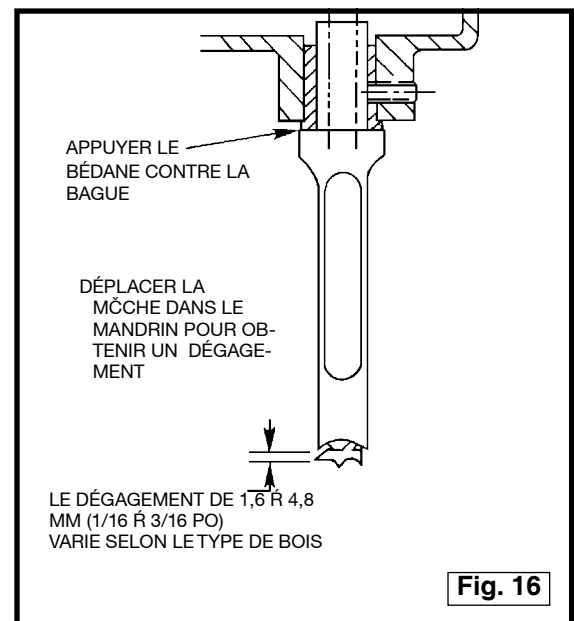
- Desserrer la vis (D), fig. 12, et insérer le bédane (B) dans le trou de la tête de la machine aussi loin que possible, puis l'abaisser (B) de 1,6 à 4,8 mm (1/16 à 3/16 po). Serrer la vis de calage (D).

IMPORTANT : lors de l'insertion du bédane (B), fig. 13, dans la tête de la machine, laisser un dégagement de 1,6 à 4,8 mm (1/16 à 3/16 po) (F) entre la bague (E) et la saillie du bédane (B).

- Insérer la mèche (A), fig. 14, dans le bédane puis dans le mandrin (G) aussi loin que possible. Verrouiller la mèche dans le mandrin avec la clé de mandrin fournie.
- Desserrer la vis de calage (D), fig. 15, et pousser le bédane (B) contre la base inférieure de la bague (E), puis serrer la vis de calage (D). On obtient ainsi la distance correcte entre les pointes de la mèche et le bord tranchant du bédane.



- La portion plane de la mèche doit dépasser la partie inférieure du bédane d'au moins 1,6 mm (1/16 po). Certains types de bois exigent un accroissement de cet écart jusqu'à un maximum de 4,8 mm (3/16 po) Fig. 16.

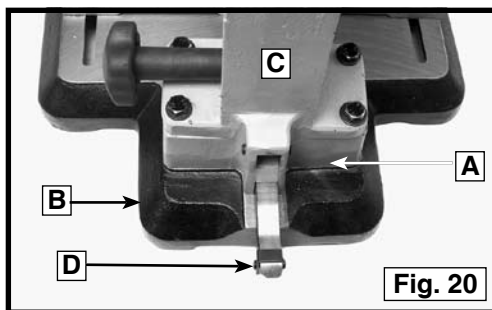
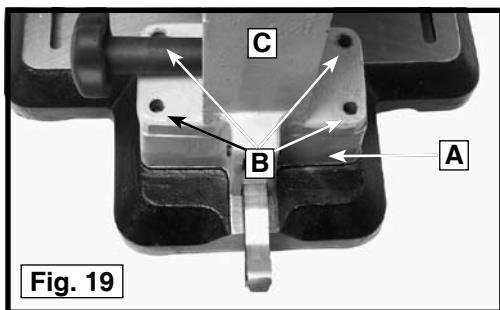
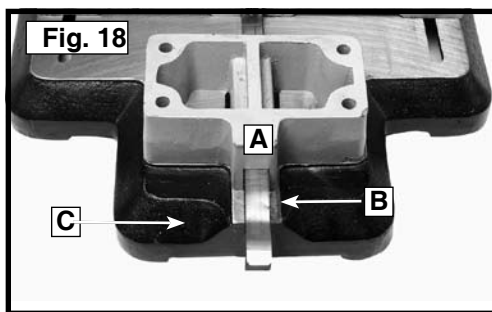
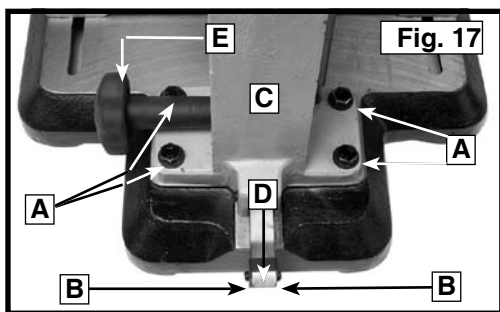


FIXATION DE LA RALLONGE DE COLONNE

Il est possible de prolonger la colonne pour mortaiser des pièces plus épaisses. Pour installer la rallonge :

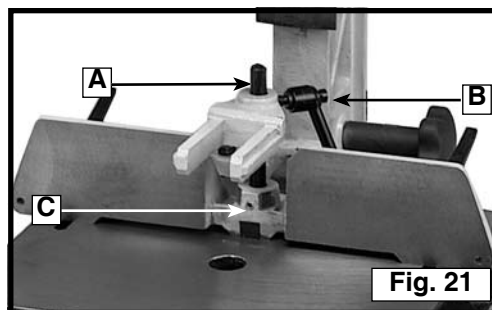
⚠ AVERTISSEMENT : Débrancher la machine de la source de pouvoir !

1. Retirer les deux vis (B), fig. 17, puis retirer le support du couvercle de la crémaillère (D).
2. Retirer les quatre vis, les rondelles de blocage M6 et les rondelles plates (A), fig. 17.
3. Faire pivoter la poignée (E) jusqu'à ce que le module de la colonne (C), fig. 18, s'éloigne du dos de la crémaillère et de la base.
4. Déposer la rallonge de colonne (A), fig. 18, sur le dessus de la crémaillère (B). Aligner les quatre trous de la rallonge de colonne (A), fig. 15, avec les quatre trous de la base (C).
5. Installer le module de la colonne (C), fig. 19, sur le dessus de la rallonge de colonne (A) et aligner les quatre trous (B) du module de la colonne avec les quatre trous de la rallonge (A).
6. Enfiler une des rondelles de blocage M6 et rondelle plate retirée auparavant à l'ÉTAPE 2 sur la vis à tête hexagonale de M8 x 1,25 x 80 mm.
7. Insérer la vis dans le trou du module de la colonne (C), fig. 20, et de la rallonge de colonne (A). La visser dans la base (B). Répéter l'assemblage pour les trois autres trous.
8. Remettre en place le support du couvercle de la crémaillère (D), fig. 20, retiré plus tôt à l'ÉTAPE 1.
9. Desserrer le bouton de retenue (B), fig. 21, et retirer la pièce. Desserrer la vis de calage (C) et retirer la tige de retenue (A). La remplacer par la longue tige de retenue. Serrer la vis de calage (C). Placer la pièce de retenue (B) sur la tige de retenue



REMARQUE : inverser la procédure pour retirer la rallonge de colonne.

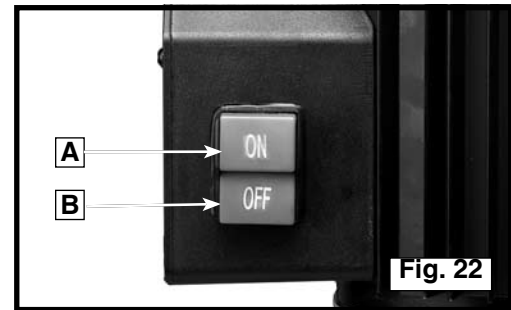
⚠ ATTENTION : Pour éviter d'endommager l'appareil, installer le couvercle de la crémaillère sur le système d'engrenages. Ainsi, le couvercle ne se coincera pas entre la crémaillère et les engrenages.



L'OPERATION CONTROLE DE LE ET LES AJUSTEMENT

DÉMARRAGE ET ARRÊT DE MACHINE

L'interrupteur est situé sur le côté gauche de la mortaiseuse. Pour mettre la mortaiseuse en marche, enfoncez le bouton de démarrage vert (A), fig. 22. Pour arrêter la mortaiseuse, enfoncez le bouton rouge (B).



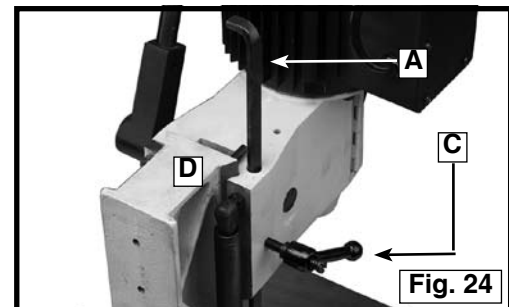
VERROUILLAGE DE L'INTERRUPTEUR EN POSITION D'ARRÊT

IMPORTANT : Lorsque la machine n'est pas utilisée, l'interrupteur doit être verrouillé en position d'arrêt (OFF) pour empêcher toute utilisation non autorisée en utilisant un cadenas (A) fig. 23 avec une boucle de 4,76 mm (3/16 po).



RÉGLAGE DE LA TIGE DE LIMITATION DE LA PROFONDEUR

La tige de limitation de la profondeur (A), fig. 24, restreint la profondeur de pénétration du bédane. Pour régler la tige de limitation de la profondeur (A), desserrer le levier (C) et abaisser la tête du bédane. Une fois en position, abaisser la tige de limitation de la profondeur (A) jusqu'à ce qu'elle touche le haut de la colonne (D), puis serrer le levier (C).

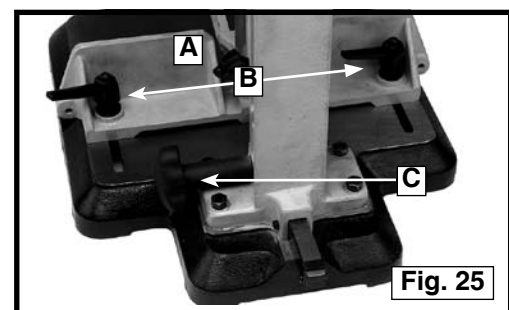


RÉGLAGE DU GUIDE

Il est possible de déplacer le guide (A), fig. 25, vers l'intérieur ou l'extérieur en desserrant les poignées de verrouillage (B) et en tournant la poignée de guide de la crémaillère (C). Serrer les poignées (B) une fois le guide en position.

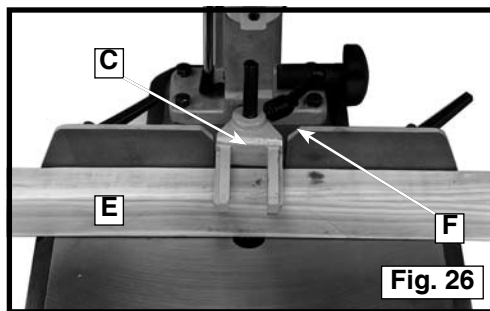
REMARQUE : les leviers (B) sont à ressort et peuvent être repositionnés. Pour ce faire, tirer sur le levier et le repositionner sur l'écrou cannelé situé sous le levier.

Le guide de la machine est pré-réglé en usine. Si celui-ci semble lâche lors d'un réglage, bien serrer les deux vis pression (D), fig. 25, contre le porte-guide.



RÉGLAGE DU DISPOSITIF DE MAINTIEN

La pièce de retenue (C), fig. 26, empêche la pièce (E) de se soulever lorsque le bédane sort du trou. Pour régler la pièce de retenue, desserrer la poignée (F), positionner la pièce de retenue de sorte qu'elle touche la partie supérieure de la pièce de bois (E), puis resserrer la poignée. Il est possible d'inverser l'orientation de la pièce de retenue (C) pour l'adapter à des pièces de bois plus épaisses.



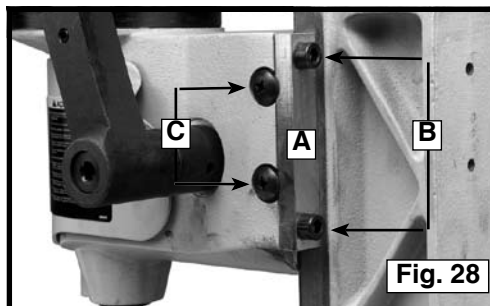
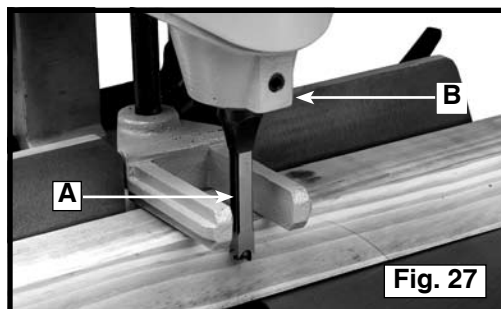
RÉGLAGE PARALLÈLE DU CISEAU À LA PIÈCE

Régler le bédane (A), fig. 27, parallèle à la pièce de bois. Desserrer la vis (B) et tourner le bédane jusqu'à ce que le dos du bédane s'appuie sur la pièce de bois. Serrer la vis (B).

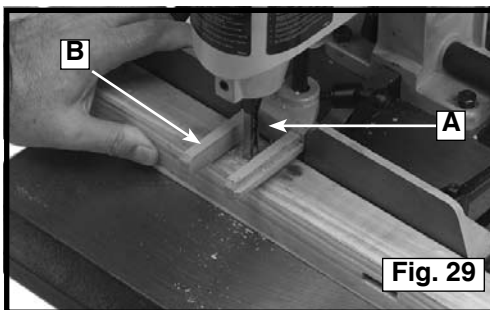
RÉGLAGE DE L'AJUSTEMENT GLISSANT ENTRE LA TÊTE DU BÉDANE ET LA COLONNE

Une clavette à queues d'arondes (A), fig. 28, garantit un glissement serré entre la tête du bédane et la colonne. Effectuer le réglage en desserrant les deux vis (B) et en tournant les vis de réglage (C). Resserrer les deux vis (B).

REMARQUE : le réglage est correct en l'absence de mouvement évident entre la clavette et la colonne. Régler la clavette de sorte qu'elle soit suffisamment serrée pour maintenir sa précision sans toutefois nuire au mouvement coulissant.



1. Maintenir les bédanes et les mèches affûtés.
2. Une opération courante de mortaise est illustrée à la figure 29. Remarquer que l'ouverture (A) du bédane est à droite. Déplacer la pièce de bois de la gauche vers la droite pour les coupes subséquentes tout en permettant une évacuation correcte des copeaux.
3. Tenir fermement la pièce de bois contre le guide. S'assurer que la pièce de retenue (B), fig. 27, soit correctement réglée. Le rythme de pénétration du bédane doit être assez rapide pour prévenir toute marque de brûlure à la pointe de la mèche, mais à une vitesse qui ne bloque pas le moteur. Il est possible que de la fumée s'échappe de la mèche ou de la pièce de bois. La fumée est une conséquence naturelle du fonctionnement de l'outil et est provoquée par la friction et le brûlement des résines. Une combinaison de la friction et de l'accumulation de résine sur la surface de coupe du bédane fait bleuir celui-ci, mais n'indique toutefois pas que le bédane soit émoussé. Un bédane émoussé se décèle lorsqu'une force excessive est nécessaire pour terminer une coupe.
4. Lors de l'exécution d'une mortaise de bord en bord, insérer une fine pièce de bois entre la pièce à découper et la table pour empêcher la formation d'éclats au bas de la mortaise.



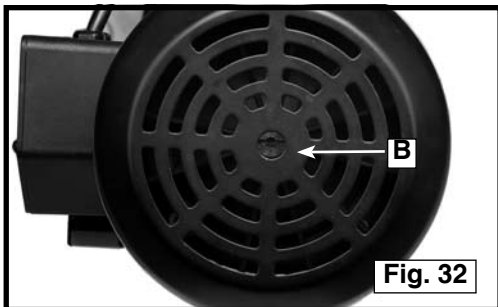
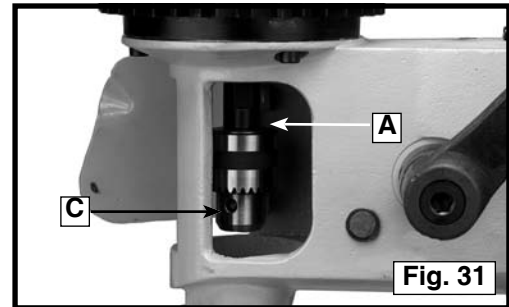
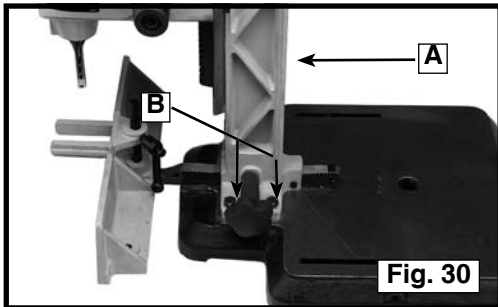
ROTATION DE 180 DEGRÉS DE LA COLONNE

Pour certaines coupes spéciales, faire pivoter la colonne (A), fig. 30, de 180 degrés. Pour ce faire, retirer les quatre vis, dont deux sont illustrées en (B), faire pivoter la colonne (A) sur 180 degrés et réinsérer les quatre vis (B).

▲ AVERTISSEMENT : La base de l'appareil doit être fixée à une surface portante.

UTILISATION D'EMBOUS À QUEUES TRÈS LONGUES

Lors de l'utilisation de mèches avec queues extra longues, enlever la rallonge (A), fig. 30. Insérer un tournevis dans la rainure (B), fig. 32, à l'extrémité de l'arbre d'induit sur le dessus du moteur (B) Fig. 32. Utiliser une clé de mandrin pour dévisser et retirer le mandrin (C), fig. 31, et la rallonge (A). Retirer la rallonge (A) du mandrin (C), puis remettre celui-ci (C) en place. Utiliser également la cale du bédane. Insérer la cale du bédane (D), fig. 33, dans la queue du bédane (F), puis insérer le bédane dans le porte-bédane. Serrer solidement le porte-bédane.



DEPANNAGE

Pour l'assistance avec votre outil, visiter notre site web www.DeltaMachinery.com pour une liste de centres de maintenance ou appeler la ligne d'aide de DELTA® Power Equipment Corporation à 1-800-223-7278.

ENTRETIEN

GARDER LA MACHINE PROPRE

Dégager régulièrement toutes les conduites d'air avec de l'air comprimé sec. Toutes les pièces en plastique doivent être nettoyées à l'aide d'un chiffon doux humide. NE JAMAIS utiliser de solvants pour nettoyer les pièces en plastique. Les solvants peuvent dissoudre ou endommager le matériel.

▲ AVERTISSEMENT : Porter des protections oculaire et auditive homologuées et utiliser un appareil respiratoire lors de l'utilisation d'air comprimé.

DÉMARRAGE IMPOSSIBLE

Si la machine ne démarre pas, s'assurer que les lames de la fiche du cordon d'alimentation sont bien enfoncées dans la prise de courant. Vérifier également que les fusibles ne sont pas grillés ou que le disjoncteur ne s'est pas déclenché.

LUBRIFICATION ET PROTECTION CONTRE LA ROUILLE

Appliquer chaque semaine une cire à parquets d'usage domestique sur la table de la machine, sur la rallonge de table ou toute autre surface de travail. Ou utiliser un produit protecteur commercial conçu à cet effet. Suivre les directives du fabricant pour l'utilisation et la sécurité.

Pour nettoyer les tables en fonte contre la rouille, utiliser le matériel suivant : une feuille de papier à poncer Scotch-Brite™ medium, une boîte de WD-40® et une boîte de dégraissant. Appliquer le WD-40 et polir la surface de la table avec le papier à poncer Scotch-Brite. Dégraisser la table puis appliquer le produit protecteur comme décrit ci-dessus.

REPLACEMENT GRATUIT DE L'ÉTIQUETTE

Si vos étiquettes d'avertissement deviennent illisibles ou sont manquantes, composez le 1-800-223-7278 pour obtenir une étiquette de remplacement gratuite.

⚠ WARNING TO REDUCE THE RISK OF INJURY USER MUST READ THE INSTRUCTION MANUAL BEFORE OPERATING MORTISING MACHINE. ALWAYS USE PROPER EYE AND RESPIRATORY PROTECTION. DO NOT WEAR GLOVES, NECKTIES, JEWELRY, LOOSE CLOTHING. MAKE SURE MACHINE IS SECURED TO A STURDY BENCH OR STAND BEFORE OPERATING. ALWAYS CLAMP WORK SECURELY TO TABLE WITH HOLD-DOWN TO PREVENT LIFTING. ALWAYS SUPPORT WORKPIECE SECURELY AGAINST FENCE TO PREVENT ROTATION. KEEP FINGERS AND HAIR AWAY FROM ROTATING BIT. BE SURE DRILL BIT IS SHARP, NOT DAMAGED, AND PROPERLY SECURED IN THE CHUCK BEFORE OPERATING. MAKE CERTAIN CHUCK KEY IS REMOVED BEFORE STARTING MACHINE. UNPLUG MACHINE FROM POWER SOURCE BEFORE MAKING REPAIRS OR ADJUSTMENTS. DO NOT OPERATE WHILE UNDER INFLUENCE OF DRUGS, ALCOHOL OR MEDICATION. SHOCK HAZARD. DO NOT EXPOSE TO RAIN OR USE IN DAMP LOCATIONS.

⚠ ADVERTENCIA PARA REDUCIR EL RIESGO DE LESIONES, EL USUARIO DEBE LEER EL MANUAL DE INSTRUCCIONES ANTES DE OPERAR LA ESMERILLADORA. SIEMPRE UTILICE PROTECCIÓN ADECUADA PARA LOS OJOS Y VÍAS RESPIRATORIAS. NO UTILICE GUANTES, CORBATAS, JOYAS O ROPA HOLGADA. ASEGÚRESE DE QUE LA MÁQUINA ESTÉ BIEN SUJETA A UN BANCO O BASE FIRMES ANTES DE USARLA. SIEMPRE USE UNA ABRAZADERA PARA SUJETAR EL MATERIAL SOBRE LA MESA CON CONTENCIÓN PARA EVITAR QUE SE LEVANTE. SOSTENGA SIEMPRE LA PIEZA DE TRABAJO CONTRA LA GUÍA PARA EVITAR QUE GIRE. MANTENGA LOS DEDOS Y EL CABELLO ALEJADOS DE LA BROCA GIRATORIA. ASEGÚRESE DE QUE LA BROCA DEL TALADRO ESTÉ AFILADA, SIN DAÑOS, Y SUJETA CORRECTAMENTE EN EL PORTABROCAS ANTES DE USARLO. ASEGÚRESE DE RETIRAR LA LLAVE DEL PORTABROCAS ANTES DE ENCENDER LA MÁQUINA. DESCONECTE LA MÁQUINA DE LA FUENTE DE ENERGÍA ANTES DE REALIZAR REPARACIONES O AJUSTES. NO OPERE LA HERRAMIENTA BAJO LA INFLUENCIA DE DROGAS, ALCOHOL O MEDICACIÓN. RIESGO DE DESCARGA ELÉCTRICA. NO EXPONGA A LA LLUVIA NI UTILICE EN LUGARES HÚMEDOS.

⚠ AVERTISSEMENT L'UTILISATEUR DOIT LIRE LE MODE D'EMPLOI AVANT D'UTILISER LA MORTAISEUSE AFIN DE RÉDUIRE LE RISQUE DE BLESSURE. TOUJOURS UTILISER UNE PROTECTION OCULAIRE ET UNE PROTECTION RESPIRATOIRE ADÉQUATES. NE PAS PORTER DE GANTS, NI CRAVATES, BUOX OU VÊTEMENTS AMPLES. S'ASSURER QUE L'APPAREIL EST SOLIDEMENT FIXÉ À UN ÉTABLI OU UN SOCLE ROBUSTE AVANT DE DÉBUTER LE TRAVAIL. TOUJOURS APPUYER SOLIDEMENT LA PIÈCE CONTRE LE GUIDE POUR PRÉVENIR TOUTE ROTATION. TOUJOURS FIXER SOLIDEMENT LA PIÈCE À LA TABLE AVEC DES PIÈCES DE RETENUE POUR PRÉVENIR UN SOULÈVEMENT INOPINÉ. ÉLOIGNER LES DOIGTS ET LES CHEVEUX DE LA MÈCHE EN MOUVEMENT. S'ASSURER QUE LA MÈCHE EST AFFÛTÉE, INTACTE ET SOLIDEMENT FIXÉE DANS LE MANDRIN AVANT D'UTILISER L'APPAREIL. S'ASSURER DE RETIRER LA CLÉ DU MANDRIN AVANT DE DÉMARRER L'APPAREIL. DÉBRANCHER L'APPAREIL DE LA SOURCE D'ALIMENTATION AVANT TOUTES RÉPARATIONS OU RÉGLAGES. NE PAS UTILISER SOUS L'EMPRISE DE DROGUES, D'ALCOOL OU DE MÉDICAMENT. RISQUE DE CHOC ÉLECTRIQUE. PROTÉGER DE LA PLUIE ET NE PAS L'UTILISER DANS DES ENDROITS HUMIDES.

A19962

ENTRETIEN ET RÉPARATION

Tous les outils de qualité finissent par demander un entretien ou un changement de pièce. Pour de plus amples renseignements à propos de DELTA® Power Equipment Corporation, ses succursales d'usine ou un centre de réparation sous garantie autorisé, consulter notre site Web au www.DeltaMachinery.com ou composer le 1-800-223-7278 pour le service à la clientèle. Toutes les réparations effectuées dans nos centres de réparation sont entièrement garanties contre les défauts de matériaux et de main-d'oeuvre. Nous ne pouvons garantir les réparations effectuées en partie ou totalement par d'autres.

Pour de plus amples renseignements par courrier, écrire à DELTA® Power Equipment Corporation, 99 Roush Street, Anderson, South Carolina 29625, É.-U. – à l'attention de : Product Service. S'assurer d'indiquer toutes les informations figurant sur la plaque signalétique de l'outil (numéro du modèle, type, numéro de série, etc.).

ACCESSOIRES

Une ligne complète des accessoires est fournie des centres commerciaux d'usine de par votre de DELTA® fournisseur, de DELTA®, et des stations service autorisées par. Veuillez visiter notre site Web www.DeltaMachinery.com pour un catalogue ou pour le nom de votre fournisseur plus proche.

⚠ AVERTISSEMENT : Depuis des accessoires autre que ceux offerts par DELTA® n'ont pas été testés avec ce produit, utilisation de tels accessoires a pu être dangereux. Pour l'exploitation sûre, seulement DELTA® a recommandé des accessoires devrait être utilisé avec ce produit.

GARANTIE

Pour enregistrer votre outil pour la garantie service la visite notre site Web à www.DeltaMachinery.com.

Garantie limitée de deux ans

DELTA® réparera ou remplacera, à ses frais et à sa discrétion, toute nouvelle machine DELTA®, pièce de rechange ou tout accessoire qui, dans des circonstances d'utilisation normale, s'est avéré défectueux en raison de défauts de matériau ou de fabrication, à condition que le client retourne le produit (transport payé d'avance) au centre de réparation de l'usine DELTA® ou à un centre de réparation autorisé accompagné d'une preuve d'achat et dans les deux ans de la date d'achat du produit, et fournisse à DELTA® une opportunité raisonnable de vérifier le défaut présumé par une inspection. La période de garantie des produits DELTA® réusinés est de 180 jours. DELTA® peut demander que les moteurs électriques soient retournés (transport payé d'avance) à un centre de réparation autorisé du fabricant du moteur en vue d'une inspection, d'une réparation ou d'un remplacement. DELTA® ne peut être tenu pour responsable des défauts résultants de l'usure normale, de la mauvaise utilisation, de l'abus, de la réparation ou de la modification du produit, sauf en cas d'autorisation spécifique d'un centre de réparation ou d'un représentant DELTA® autorisé. En aucune circonstance DELTA® ne peut être tenu pour responsable des dommages accidentels ou indirects résultant d'un produit défectueux. Cette garantie constitue la seule garantie de DELTA® et le recours exclusif des clients en ce qui concerne les produits défectueux ; toutes les autres garanties, expresses ou implicites, de qualité marchande, d'adéquation à un usage particulier, ou autre, sont expressément déclinées par DELTA®.

AMÉRIQUE LATINE : Cette garantie ne s'applique aux produits vendus en Amérique latine. Pour ceux-ci, veuillez consulter les informations relatives à la garantie spécifique présente dans l'emballage, appeler l'entreprise locale ou consulter le site Web pour les informations relatives à cette garantie.

INSTRUCCIONES DE SEGURIDAD IMPORTANTES

▲ ADVERTENCIA: Lea y entienda todas advertencias y las instrucciones operadoras antes de utilizar cualquier instrumento o el equipo. Cuando se usa instrumentos o equipo, las precauciones básicas de la seguridad siempre se deben seguir para reducir el riesgo de la herida personal. La operación impropia, la conservación o la modificación de instrumentos o equipo podrían tener como resultado el daño grave de la herida y la propiedad. Hay ciertas aplicaciones para que equipos con herramienta y el equipo se diseñen. Este producto NO debería ser modificado ni utilizado para aplicaciones para las cuales no fue diseñado.

Si usted tiene cualquier pregunta el pariente a su aplicación no utiliza el producto hasta que usted haya escrito DELTA® Power Equipment Corporation y nosotros lo hemos aconsejado.

La forma en línea del contacto en www.DeltaMachinery.com
El Correo Postal: Technical Service Manager DELTA® Power Equipment Corporation
99 Roush Street, Anderson, South Carolina 29625

Información con respecto a la operación segura y apropiada de este instrumento está disponible de las fuentes siguientes:

Power Tool Institute

1300 Sumner Avenue, Cleveland, OH 44115-2851

www.powertoolinstitute.com

National Safety Council

1121 Spring Lake Drive, Itasca, IL 60143-3201

American National Standards Institute, 25 West 43rd Street, 4 floor, New York, NY 10036 www.ansi.org

ANSI 01.1 Safety Requirements for Woodworking Machines, and the U.S. Department of Labor regulations www.osha.gov

GUARDE ESTAS INSTRUCCIONES!

PAUTAS DE SEGURIDAD/DEFINICIONES

Es importante para usted leer y entender este manual. La información que lo contiene relaciona a proteger SU SEGURIDAD y PREVENIR los PROBLEMAS. Los símbolos debajo de son utilizados para ayudarlo a reconocer esta información.

▲ PELIGRO: Indica una situación de inminente riesgo, la cual, si no es evitada, causará la muerte o lesiones serias.

▲ ADVERTENCIA: Indica una situación potencialmente riesgosa, que si no es evitada, podría resultar en la muerte o lesiones serias.

▲ PRECAUCIÓN: Indica una situación potencialmente peligrosa, la cual, si no es evitada, podría resultar en lesiones menores o moderadas.

PRECAUCIÓN: Usado sin el símbolo de seguridad de alerta indica una situación potencialmente riesgosa la que, si no es evitada, podría causar daños en la propiedad.

▲ ADVERTENCIA: Algunos tipos de aserrín creados por máquinas eléctricas de lijado, aserrado, amolado, perforado u otras actividades de la construcción, contienen materiales químicos conocidos (en el Estado de California) como causantes de cáncer, defectos de nacimiento u otros daños del aparato reproductivo. Algunos ejemplos de dichos productos químicos son:

- El plomo contenido en algunas pinturas con base de plomo
- Sílice cristalizado proveniente de los ladrillos, el cemento y otros productos de albañilería
- Arsénico y cromo de madera tratada químicamente

Su riesgo por causa de estas exposiciones varía, dependiendo de con cuánta frecuencia realice este tipo de trabajo. Para reducir su exposición a estos agentes químicos: trabaje en un área bien ventilada y trabaje con equipo de seguridad aprobado, use siempre protección facial o respirador NIOSH/OSHA aprobados cuando deba utilizar dichas herramientas.

NORMAS GENERALES DE SEGURIDAD

⚠ ADVERTENCIA: Si no se siguen estas normas, el resultado podría ser lesiones graves.

- 1. PARA SU PROPIA SEGURIDAD, LEA EL MANUAL DE INSTRUCCIONES ANTES DE UTILIZAR LA MÁQUINA.** Al aprender la aplicación, las limitaciones y los peligros específicos de la máquina, se minimizará enormemente la posibilidad de accidentes y lesiones.
- 2. USE PROTECCION DE LOS OJOS Y DE LA AUDICION. USE SIEMPRE ANTEOJOS DE SEGURIDAD.** Los lentes de uso diario NO son anteojos de seguridad. USE EQUIPO DE SEGURIDAD CERTIFICADO. El equipo de protección de los ojos debe cumplir con las normas ANSI Z87.1. El equipo de protección de la audición debe cumplir con las normas ANSI S3.19.
- 3. USE INDUMENTARIA ADECUADA.** No use ropa holgada, guantes, corbatas, anillos, pulseras u otras joyas que podrían engancharse en las piezas móviles. Se recomienda usar calzado antideslizante. Use una cubierta protectora del pelo para sujetar el pelo largo.
- 4. NO UTILICE LA MÁQUINA EN UN ENTORNO PELIGROSO.** La utilización de herramientas mecánicas en lugares húmedos o mojados, o en la lluvia, puede causar descargas eléctricas o electrocución. Mantenga bien iluminada el área de trabajo para evitar tropezar o poner en peligro los brazos, las manos y los dedos.
- 5. MANTENGA TODAS LAS HERRAMIENTAS Y MÁQUINAS EN CONDICIONES OPTIMAS.** Mantenga las herramientas afiladas y limpias para lograr el mejor y más seguro rendimiento. Siga las instrucciones de lubricación y cambio de accesorios. Las herramientas y las máquinas mal mantenidas pueden dañar más la herramienta o la máquina y/o causar lesiones.
- 6. COMPRUEBE SI HAY PIEZAS DAÑADAS.** Antes de utilizar la máquina, compruebe si hay piezas dañadas. Compruebe la alineación de las piezas móviles, si las piezas móviles se atascan, si hay piezas rotas y toda otra situación que podría afectar su funcionamiento. Un protector o cualquier otra pieza que presente daños debe repararse o reemplazarse apropiadamente. Las piezas dañadas pueden causar daños adicionales a la máquina y/o lesiones.
- 7. MANTENGA LIMPIA EL ÁREA DE TRABAJO.** Las áreas y los bancos desordenados invitan a que se produzcan accidentes.
- 8. MANTENGA ALEJADOS A LOS NIÑOS Y A LOS VISITANTES.** El taller es un entorno potencialmente peligroso. Los niños y los visitantes pueden sufrir lesiones.
- 9. REDUZCA EL RIESGO DE UN ARRANQUE NO INTENCIONADO.** Asegúrese de que el interruptor esté en la posición de apagado antes de enchufar el cable de alimentación. En caso de un apagón, mueva el interruptor a la posición de apagado. Un arranque accidental podría causar lesiones.
- 10. UTILICE LOS PROTECTORES.** Asegúrese de que todos los protectores estén colocados en su sitio, sujetos firmemente y funcionando correctamente para prevenir lesiones.
- 11. QUITA LAS LLAVES DE AJUSTE Y DE TUERCA ANTES DE ARRANCAR LA MÁQUINA.** Las herramientas, los pedazos de desecho y otros residuos pueden salir despedidos a alta velocidad, causando lesiones.
- 12. UTILICE LA MÁQUINA ADECUADA.** No fuerce una máquina o un aditamento a hacer un trabajo para el que no se diseñó. El resultado podría ser daños a la máquina y/o lesiones.
- 13. UTILICE ACCESORIOS RECOMENDADOS.** La utilización de accesorios y aditamentos no recomendados por DELTA® podría causar daños a la máquina o lesiones al usuario.
- 14. UTILICE EL CORDON DE EXTENSION ADECUADO.** Asegúrese de que el cordón de extensión esté en buenas condiciones. Cuando utilice un cordón de extensión, asegúrese de utilizar un cordón que sea lo suficientemente pesado como para llevar la corriente que su producto tome. Un cordón de tamaño insuficiente causará una caída de la tensión de la línea, lo cual producirá una pérdida de potencia y recalentamiento. Consulte el Cuadro de cordones de extensión para obtener el tamaño correcto dependiendo de la longitud del cordón y la capacidad nominal en amperios indicada en la placa de especificaciones. En caso de duda, utilice el próximo calibre más grueso. Cuanto más pequeño sea el número de calibre, más pesado será el cordón.
- 15. SUJETE FIRMEMENTE LA PIEZA DE TRABAJO.** Utilice las abrazaderas o el tornillo cuando usted no puede asegurar el objeto en la tabla y contra la cerca a mano o cuando su mano estará peligroso cerca de la lámina (dentro de 6").
- 16. HAGA AVANZAR LA PIEZA DE TRABAJO CONTRA EL SENTIDO DE ROTACION DE LA HOJA, EL CORTADOR O LA SUPERFICIE ABRASIVA.** Si la hace avanzar desde el otro sentido, el resultado será que la pieza de trabajo salga despedida a alta velocidad.
- 17. NO FUERCE LA PIEZA DE TRABAJO SOBRE LA MÁQUINA.** El resultado podría ser daños a la máquina y/o lesiones.
- 18. NO INTENTE ALCANZAR DEMASIADO LEJOS.** Una pérdida del equilibrio puede hacerle caer en una máquina en funcionamiento, causándole lesiones.
- 19. NO SE SUBA NUNCA A LA MÁQUINA.** Se podrían producir lesiones si la herramienta se inclina o si usted hace contacto accidentalmente con la herramienta de corte.
- 20. NO DEJE NUNCA DESATENDIDA LA MÁQUINA CUANDO ESTÉ EN MARCHA. APÁGUELA.** No deje la máquina hasta que ésta se detenga por completo. Un niño o un visitante podría resultar lesionado.
- 21. APAGUE LA MÁQUINA Y DESCONÉCTELA DE LA FUENTE DE ALIMENTACION** antes de instalar o quitar accesorios, antes de ajustar o cambiar configuraciones o al realizar reparaciones. Un arranque accidental puede causar lesiones.
- 22. HAGA SU TALLER A PRUEBA DE NIÑOS CON CANDADOS E INTERRUPTORES MAESTROS O QUITANDO LAS LLAVES DE ARRANQUE.** El arranque accidental de una máquina por un niño o un visitante podría causar lesiones.
- 23. MANTÉNGASE ALERTA, FÍJESE EN LO QUE ESTÁ HACIENDO Y USE EL SENTIDO COMÚN. NO UTILICE LA MÁQUINA CUANDO ESTÉ CANSADO O BAJO LA INFLUENCIA DE DROGAS, ALCOHOL O MEDICAMENTOS.** Un momento de distracción mientras se estén utilizando herramientas mecánicas podría causar lesiones.
- 24. ⚠ ADVERTENCIA: EL USO DE ESTA HERRAMIENTA PUEDE GENERAR Y DISPERSAR POLVO U OTRAS PARTÍCULAS SUSPENDIDAS EN EL AIRE, INCLUYENDO POLVO DE MADERA, POLVO DE SILICE CRISTALINA Y POLVO DE ASBESTO.** Dirija las partículas de modo que se alejen de la cara y del cuerpo. Utilice siempre la herramienta en un área bien ventilada y proporcione un medio apropiado de remoción de polvo. Use un sistema de recolección de polvo en todos los lugares donde sea posible. La exposición al polvo puede causar lesiones respiratorias graves y permanentes u otras lesiones graves y permanentes, incluyendo silicosis (una enfermedad pulmonar grave), cáncer y muerte. Evite aspirar el polvo y evite el contacto prolongado con el polvo. Si se permite que el polvo entre en la boca o en los ojos, o que se deposite en la piel, se puede promover la absorción de material nocivo. Use siempre protección respiratoria aprobada por NIOSH/OSHA que se ajuste apropiadamente y sea adecuada para la exposición al polvo, y lávese las áreas expuestas con agua y jabón.

NORMAS ESPECÍFICAS ADICIONALES DE SEGURIDAD

⚠ ADVERTENCIA: Si no se siguen estas normas, el resultado podría ser lesiones personales graves.

- NO OPERE ESTA MÁQUINA** hasta que no esté armada e instalada completamente según las instrucciones. Una máquina montada de manera incorrecta puede provocar lesiones graves.
- SOLICITE EL ASESORAMIENTO** de su supervisor, su instructor o alguna persona calificada si no está familiarizado con el funcionamiento de esta máquina. El conocimiento garantiza la seguridad.
- RESPECTE TODOS LOS CODIGOS DE CABLEADO** y las conexiones eléctricas recomendadas para prevenir los riesgos de descargas eléctricas o electrocución.
- FIJE LA MÁQUINA EN UNA SUPERFICIE DE APOYO.** La vibración puede hacer que la máquina se deslice, se mueva o se incline.
- NUNCA ENCIENDA LA MÁQUINA ANTES DE QUITAR TODOS LOS OBJETOS DE LA MESA** herramientas, piezas de descarte, etc.). Los desechos pueden ser arrojados a alta velocidad.
- NUNCA ENCIENDA LA MÁQUINA** con la broca del taladro o la herramienta de corte apoyadas contra la pieza de trabajo. La pérdida del control de la pieza de trabajo puede causar lesiones graves.
- AJUSTE BIEN LA BROCA DEL TALADRO O LA HERRAMIENTA DE CORTE EN LA UNIDAD** antes de operar esta máquina.
- AJUSTE** el tope de profundidad para evitar perforar la mesa.
- NO** intente amortajar materiales que no posean una superficie plana, salvo que utilice un soporte adecuado.
- USE SOLAMENTE BROCAS PARA TALADRO, HERRAMIENTAS DE CORTE U OTROS ACCESORIOS** con el tamaño de vástago recomendado en el manual de instrucciones. Un accesorio del tamaño incorrecto puede provocar daños en la máquina y/o lesiones graves.
- UTILICE SOLAMENTE BROCAS PARA TALADRO O HERRAMIENTAS DE CORTE** que no estén dañadas. Los elementos dañados pueden generar un mal funcionamiento capaz de ocasionar lesiones.
- USE LAS VELOCIDADES RECOMENDADAS** para todas las operaciones. Otras velocidades pueden generar un mal funcionamiento de la máquina y dañarla u ocasionar lesiones graves.
- EVITE OPERACIONES Y POSICIONES DE LAS MANOS COMPLICADAS.** Un deslizamiento repentino podría llevar la mano hacia la broca.
- MANTENGA LOS BRAZOS, LAS MANOS Y LOS DEDOS** lejos de la broca. Puede provocar lesiones graves en la mano.
- COLOQUE SIEMPRE** el sujetador directamente sobre la pieza de trabajo para evitar que ésta se levante durante la operación. La pérdida del control de la pieza de trabajo puede causar lesiones graves.
- APAGUE LA MÁQUINA Y ESPERE A QUE LA BROCA DEL TALADRO, LA HERRAMIENTA DE CORTE O EL TAMBOR PARA LIJAR DEJEN DE GIRAR** antes de limpiar el área de trabajo, retirar los desechos, retirar o fijar la pieza de trabajo, o cambiar el ángulo de la mesa. Una broca de taladro o una herramienta de corte en movimiento pueden ocasionar lesiones graves.
- APOYE ADECUADAMENTE las piezas de trabajo LARGAS O ANCHAS.** La pérdida del control de la pieza de trabajo puede causar lesiones graves.
- NUNCA REALICE TRABAJOS DE TRAZADO, ARMADO O INSTALACION** en la mesa o el área de trabajo cuando la máquina esté en funcionamiento. Puede causar lesiones graves.
- APAGUE LA MÁQUINA,** desconéctela de la fuente de alimentación y limpie la mesa o el área de trabajo antes de abandonarla. **BLOQUEE EL INTERRUPTOR EN LA POSICIÓN DE APAGADO (“OFF”) PARA EVITAR EL USO NO AUTORIZADO.** Alguien podría encender la máquina por accidente y esto podría ocasionar lesiones graves.
- Encontrará INFORMACION ADICIONAL** disponible acerca de la operación correcta y segura de herramientas eléctricas (por ejemplo: un vídeo de seguridad) en el Instituto de Herramientas Eléctricas (Power Tool Institute), 1300 Sumner Avenue, Cleveland, OH 44115-2851 (www.powertoolinstitute.com). Además, encontrará información disponible en el Consejo Nacional de Seguridad (National Safety Council), 1121 Spring Lake Drive, Itasca, IL 60143-3201. Remítase a los Requisitos de Seguridad 01.1 para las máquinas de carpintería del Instituto Estadounidense de Normas Nacionales (American National Standards Institute - ANSI) y a las Normas OSHA 1910.213 del Ministerio de Trabajo de los Estados Unidos.

CONEXIONES A LA FUENTE DE ALIMENTACION

Debe utilizarse un circuito eléctrico independiente para las máquinas. Este circuito debe tener alambre de no menos del No. 12 y debe estar protegido con un fusible de acción retardada de 20 A. Si se utiliza un cordón de extensión, utilice únicamente cordones de extensión de tres alambres que tengan enchufes de tipo de conexión a tierra con tres terminales y un receptáculo coincidente que acepte el enchufe de la máquina. Antes de conectar el máquina a la línea de alimentación, asegúrese de que el interruptor(s) esté en la posición de apagado y cerciórese de que la corriente eléctrica tenga las mismas características que las que estén indicadas en la máquina. Todas las conexiones a la línea de alimentación deben hacer buen contacto. El funcionamiento a bajo voltaje dañará el máquina.

⚠ PELIGRO: No exponga la máquina a la lluvia ni la utilice en lugares húmedos.

ESPECIFICACIONES DEL MOTOR

La máquina está cableada para corriente alterna de 120 V, 60 Hz. Antes de conectar la máquina a la fuente de alimentación, asegúrese de que el interruptor esté en la posición de apagado.

INSTRUCCIONES DE CONEXION A TIERRA

⚠ PELIGRO: Esta máquina debe estar conectada a tierra mientras se esté utilizando, para proteger al operador contra las descargas eléctricas.

1. Todas las máquinas conectadas con cordón conectadas a tierra:

En caso de mal funcionamiento o avería, la conexión a tierra proporciona una ruta de resistencia mínima para la corriente eléctrica, con el fin de reducir el riesgo de descargas eléctricas. Esta máquina está equipada con un cordón eléctrico que tiene un conductor de conexión a tierra del equipo y un enchufe de conexión a tierra. El enchufe debe enchufarse en un tomacorriente coincidente que esté instalado y conectado a tierra adecuadamente, de acuerdo con todos los códigos y ordenanzas locales.

No modifique el enchufe suministrado. Si el enchufe no cabe en el tomacorriente, haga que un electricista calificado instale el tomacorriente apropiado.

La conexión inapropiada del conductor de conexión a tierra del equipo puede dar como resultado riesgo de descargas eléctricas. El conductor con aislamiento que tiene una superficie exterior de color verde con o sin franjas amarillas es el conductor de conexión a tierra del equipo. Si es necesario reparar o reemplazar el cordón eléctrico o el enchufe, no conecte el conductor de conexión a tierra del equipo a un terminal con corriente.

Consulte a un electricista competente o a personal de servicio calificado si no entiende completamente las instrucciones de conexión a tierra o si tiene dudas en cuanto a si la máquina está conectada a tierra apropiadamente.

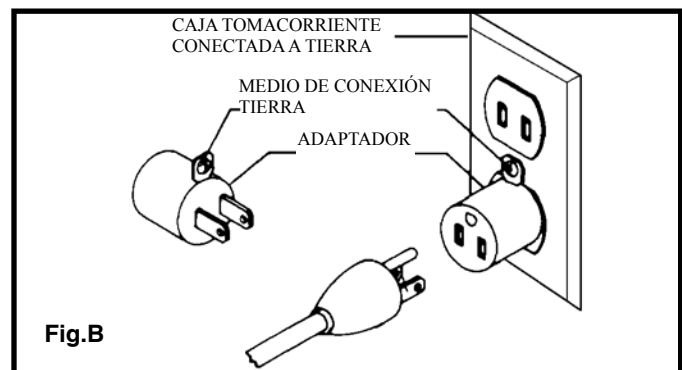
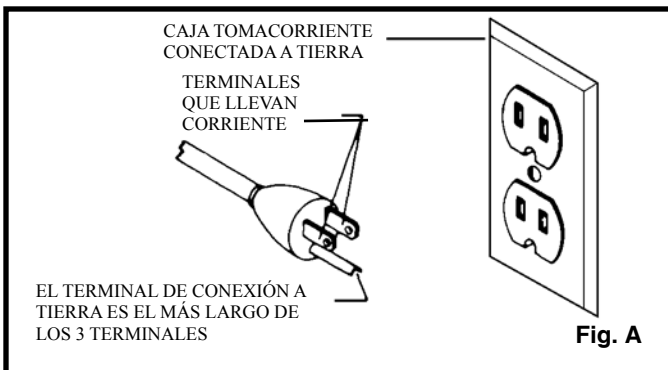
Utilice únicamente cordones de extensión de tres alambres que tengan enchufes de tipo de conexión a tierra con tres terminales y receptáculos de tres conductores que acepten el enchufe de la máquina, tal como se muestra en la Fig. A. Repare o reemplace inmediatamente los cordones dañados o desgastados.

2. Máquinas conectadas con cordón conectadas a tierra diseñadas para utilizarse en un circuito de alimentación que tenga una capacidad nominal de menos de 150 V:

Si la máquina está diseñada para utilizarse en un circuito que tenga un tomacorriente parecido al que se ilustra en la Fig. A, la máquina tendrá un enchufe de conexión a tierra que se parece al enchufe ilustrado en la Fig. A. Puede utilizarse un adaptador temporal, que se parece al adaptador ilustrado en la Fig. B, para conectar este enchufe a un receptáculo coincidente de dos conductores, tal como se muestra en la Fig. B, si no se dispone de un tomacorriente conectado a tierra apropiadamente. El adaptador temporal debe utilizarse solamente hasta que un electricista calificado pueda instalar un tomacorriente conectado a tierra apropiadamente. La orejeta, lengüeta, etc., rígida de color verde que sobresale del adaptador debe conectarse a una toma de tierra permanente, como por ejemplo una caja tomacorriente conectada a tierra adecuadamente. Siempre que se utilice un adaptador, debe sujetarse en su sitio con un tornillo de metal.

NOTA: En Canadá, el uso de un adaptador temporal no está permitido por el Código Eléctrico Canadiense.

⚠ PELIGRO: En todos los casos, asegúrese de que el receptáculo en cuestión esté conectado a tierra adecuadamente. Si no está seguro, haga que un electricista calificado compruebe el receptáculo.



CORDONES DE EXTENSION

⚠ ADVERTENCIA: Utilice cordones de extensión apropiados. Asegúrese de que el cordón de extensión esté en buenas condiciones y de que sea un cordón de extensión de tres alambres que tenga un enchufe de tipo de conexión a tierra con tres terminales y un receptáculo coincidente que acepte el enchufe de la máquina. Cuando utilice un cordón de extensión, asegúrese de emplear un cordón que sea lo suficientemente pesado como para llevar la corriente de la máquina. Un cordón de tamaño insuficiente causará una caída de la tensión de la línea eléctrica que dará como resultado pérdida de potencia y recalentamiento. En la Fig. C se muestra el calibre correcto que debe utilizarse dependiendo de la longitud del cordón. En caso de duda, utilice el siguiente calibre más pesado. Cuanto más pequeño sea el número de calibre, más pesado será el cordón.

CORDON DE EXTENSION DE CALIBRE MÍNIMO			
TAMAÑOS RECOMENDADOS PARA USO CON MÁQUINAS ELÉCTRICAS ESTACIONARIAS			
Capacidad Nominal En Amperios	Voltios	Longitud Total Del Cordon En Pies	Calibre Del Cordon De Extensión
0-6	120	Hasta 25	18 AWG
		25-50	16 AWG
		50-100	16 AWG
		100-150	14 AWG
6-10	120	Hasta 25	18 AWG
		25-50	16 AWG
		50-100	14 AWG
		100-150	12 AWG
10-12	120	Hasta 25	16 AWG
		25-50	16 AWG
		50-100	14 AWG
		100-150	12 AWG
12-16	120	Hasta 25	14 AWG
		25-50	12 AWG
		GREATER THAN 50 FEET NOT RECOMMENDED	

Fig. C

DESCRIPCIÓN FUNCIONAL

PROLOGO

El modelo DELTA® 14-651 es más fácil de operar que una prensa de taladro convencional equipada con un dispositivo para cortar mortajas. El modelo 14-651 está fabricado en hierro fundido y acero para mayor rigidez y estabilidad y viene con un portabrocas estándar de 3 mordazas para buen agarre de las brocas para cortar mortajas.

NOTA: La foto del cubierta del manual ilustra el modelo de producción actual. Todas las demás ilustraciones son solamente representativas y es posible que no muestren el color, el etiquetado y los accesorios reales.

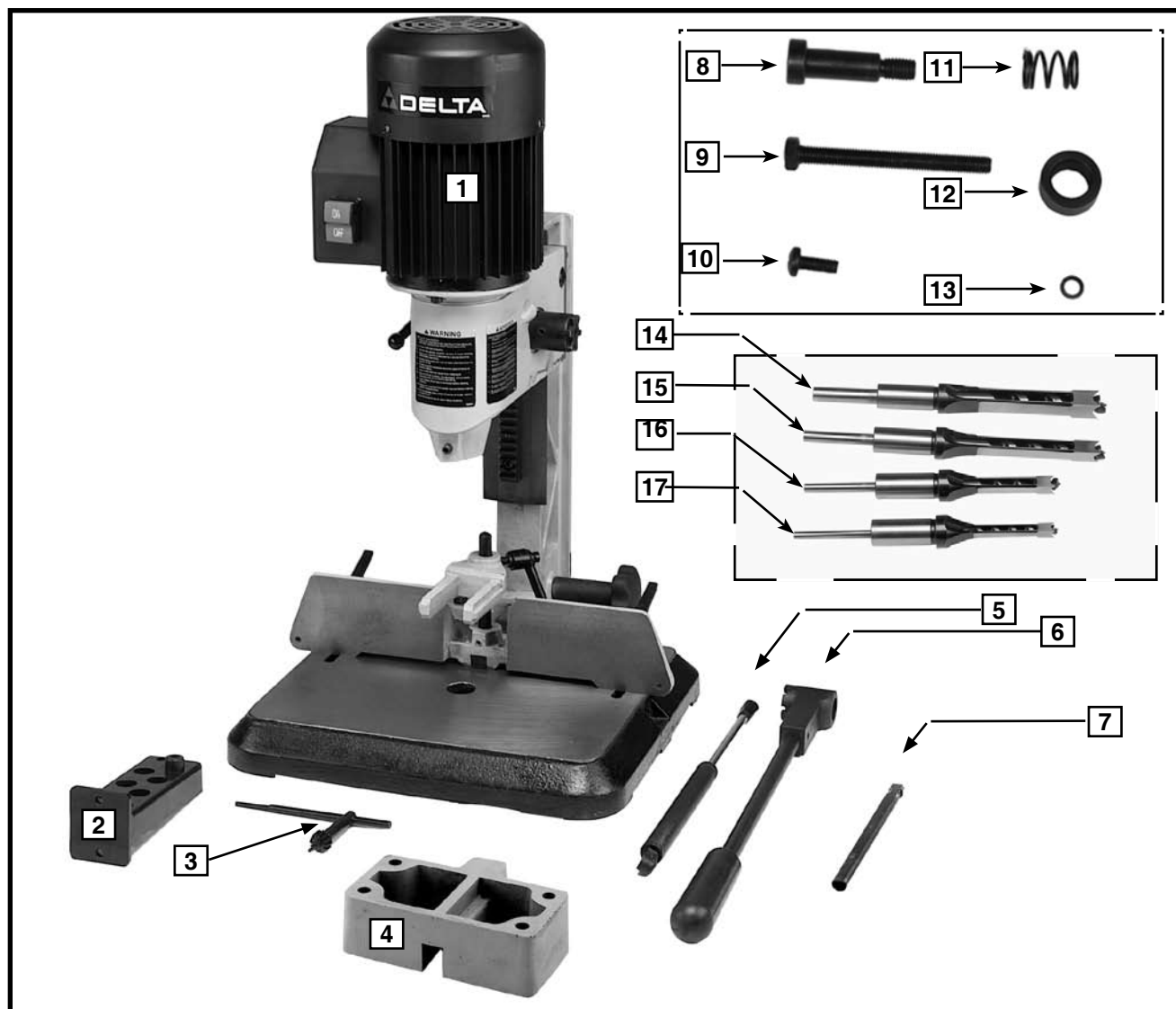
DESEMPAQUETADO Y LIMPIEZA

Desembale cuidadosamente la máquina y todos los elementos sueltos del o los contenedores de envío. Retire el aceite anticorrosivo de las superficies sin pintura con un paño suave humedecido con alcohol mineral, solvente o alcohol desnaturalizado.

⚠PRECAUCIÓN: No use solventes volátiles como gasolina, nafta, acetona o solvente de barniz para limpiar la máquina.

Luego de limpiar, cubra las superficies sin pintura con cera en pasta de buena calidad que se utiliza para los pisos del hogar.

CONTENIDO DE CARTON



1. Mortajadora
2. y soporte para cincel
3. Llave /Llave para portabrocas
4. Prolongación de columna
5. Cilindro hidráulico
6. Mango
7. Varilla de plantilla de guía extendida (utilizar con la prolongación de columna)
8. Tornillo especial (para elevar y bajar el mango)
9. Tornillos M8 x 1,25 x 80 mm (4) (para ensamblar la prolongación de columna en la base)
10. Tornillos de cabeza troncocónica M6 x 1 x 12 mm (2) (para ensamblar la herramienta y el soporte para cincel)
11. Resorte
12. Buje (para utilizar con cincelos muy largos)
13. Arandelas de bloqueo M6 (2) (para ensamblar la herramienta y el soporte para cincel)
14. Cincel y broca para cortar mortajas de 12,7 mm (1/2")
15. Cincel y broca para cortar mortajas de 9,5 mm (3/8")
16. Cincel y broca para cortar mortajas de 7,9 mm (5/16")
17. Cincel y broca para cortar mortajas de 6,4 mm (1/4")

ENSAMBLAJE

⚠ ADVERTENCIA: Para su propia seguridad, no conecte la maquina a la fuente de energia hasta que la maquina haya sido ensamblada por completo y usted haya leído y entendido completamente el manual del propietario.

HERRAMIENTAS DE ENSAMBLAJE REQUERIDAS

Llave /Llave para portabrocas (suministrado)

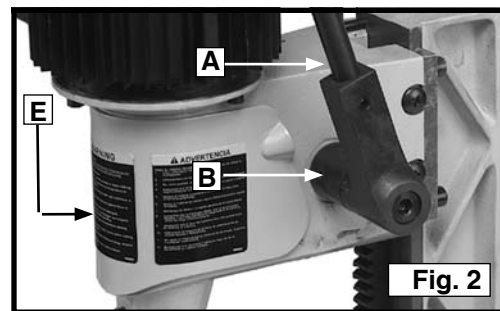
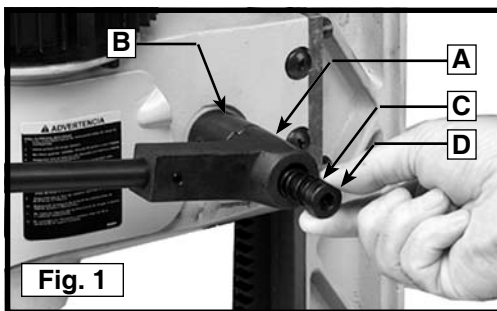
ESTIMACIÓN DEL TIEMPO DE ENSAMBLAJE

Assembly for this machine takes less than 30 minutes.

COMO LEVANTAR Y BAJAR EL MANGO

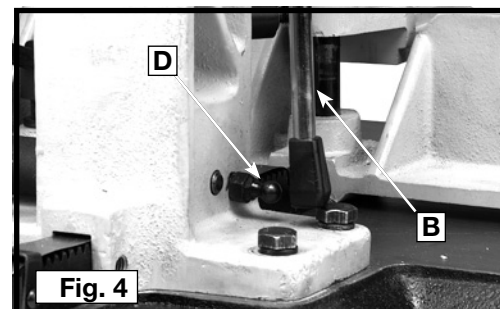
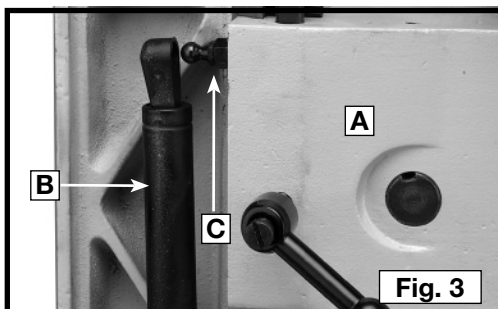
1. Conecte el cubo del conjunto del mango (A) Fig. 1 al extremo del eje del piñón (B). Ajuste el mango al eje del piñón utilizando el tornillo especial (C) y el resorte (D).
2. Levante la cabeza de la mortajadora (E) Fig. 2 hasta la posición superior girando el mango (A) en sentido de las agujas del reloj.

NOTA: El mango (A) funciona a resorte. Vuelva a ubicarlo en posición tirando de él y colocándolo sobre el eje del piñón (B).



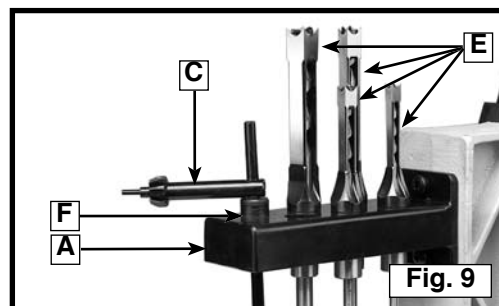
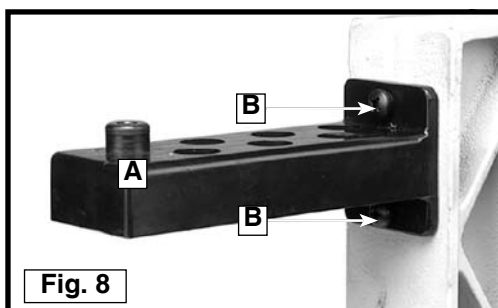
MONTAJE DEL CILINDRO HIDRÁULICO

Coloque la cabeza (A) Fig. 3 en la posición superior. Conecte el cilindro hidráulico (B) a las dos conexiones que se encuentran en la parte posterior de la cabeza (C) Fig. 3, y en la columna (D) Fig. 4. Deslice los extremos del cilindro hidráulico en cada una de las conexiones para asegurar el cilindro.



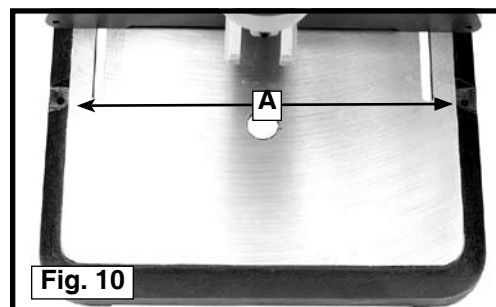
COMO COLOCAR EL SOPORTE PARA HERRAMIENTA Y CINCEL

1. Conecte la herramienta y el soporte para cincel (A) Fig. 8 a la parte posterior de la columna, utilizando los dos tornillos M6 x 1 x 12 mm (B) y las arandelas de bloqueo M6 y arandelas planas.
2. La figura 6 ilustra la llave / llave para portabrocas incorporada (C), el buje (F) para utilizar con cincelos muy largos y los cincelos y brocas (E).



COMO FIJAR LA MÁQUINA A UNA SUPERFICIE DE APOYO

Si la máquina tiende a inclinarse, deslizarse o moverse sobre la superficie de apoyo, debe asegurar la base de la máquina a una superficie de apoyo con sujetadores (no suministrados) a través de los dos orificios (A) Fig. 10, que se encuentran en la base de la mortajadora.

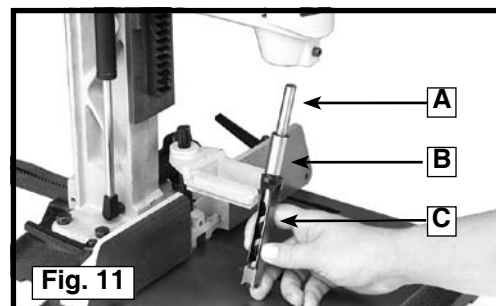


COMO COLOCAR EL CINCEL Y LA BROCA

⚠ ADVERTENCIA: ¡Desconecte la máquina de la fuente del poder!

1. Inserte la broca (A) Fig. 11 en el cincel (B).

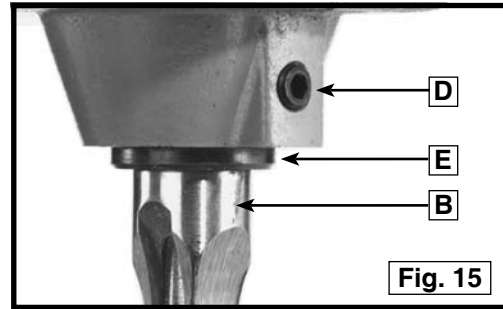
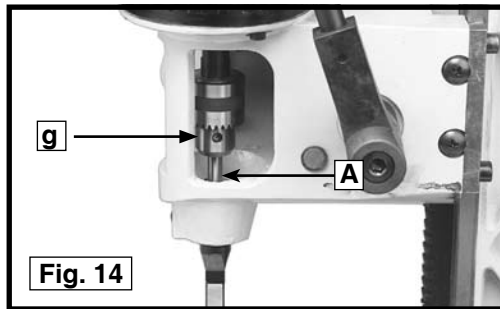
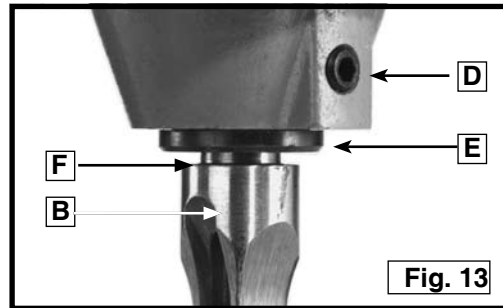
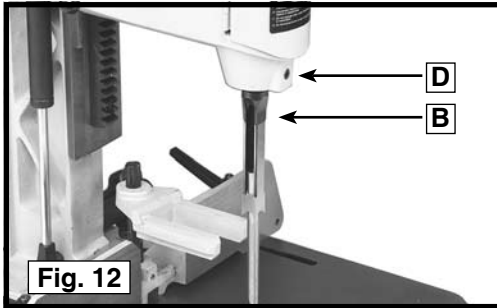
NOTA: La abertura (C) lateral del cincel (que permite la salida de las astillas) siempre debe mirar hacia el costado, nunca hacia adelante o hacia atrás.



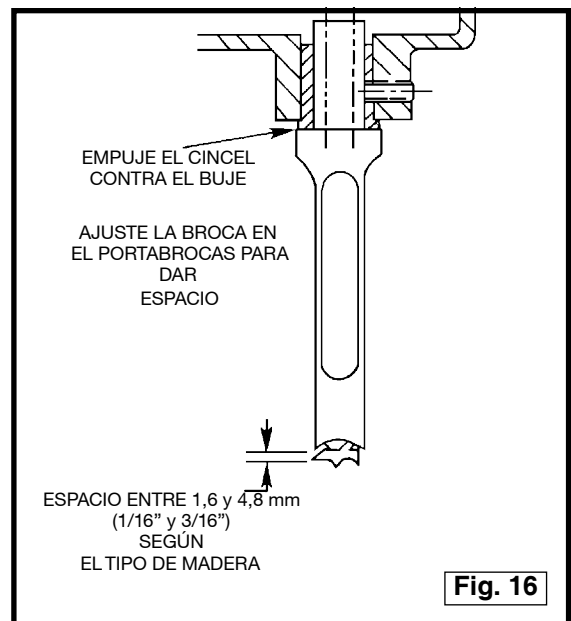
- Aflore el tornillo (D) Fig. 12, y empuje el cincel (B) hacia arriba a través del orificio de la cabeza tanto como sea posible. Baje el cincel (B) entre 1,6 y 4,8 mm (1/16" y 3/16") y ajuste el tornillo de sujeción (D).

IMPORTANTE: Al insertar el cincel (B) Fig. 13 en la cabeza, deje un espacio entre 1,6 y 4,8 mm (1/16" y 3/16") (F) entre el buje (E) y el reborde del cincel (B).

- Deslice la broca (A) Fig. 14 hacia arriba a través del cincel y dentro del portabrocas (G) hasta donde pueda. Fije la broca en el portabrocas utilizando la llave para portabrocas suministrada.
- Aflore el tornillo de sujeción (D), Fig. 15, y empuje el cincel (B) contra la parte inferior del buje (E), y ajuste el tornillo de sujeción (D) para dar la distancia adecuada entre los bordes de corte de la broca y las puntas del cincel.



- Ajuste la parte plana de la broca 1,6 mm (1/16") como mínimo debajo de la parte inferior del cincel. Ciertos tipos de madera pueden requerir una brecha mayor hasta un máximo de 4,8 mm (3/16") (Fig. 16).

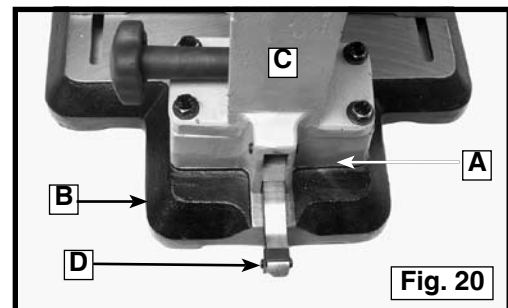
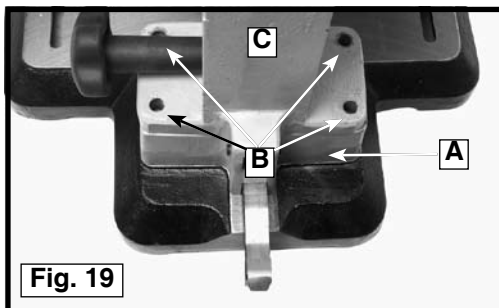
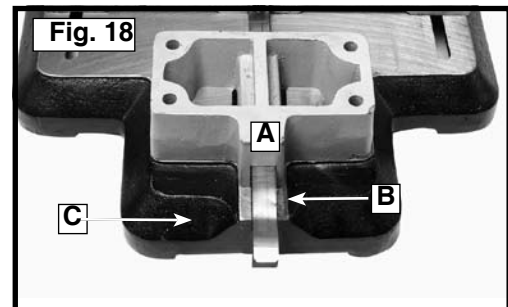
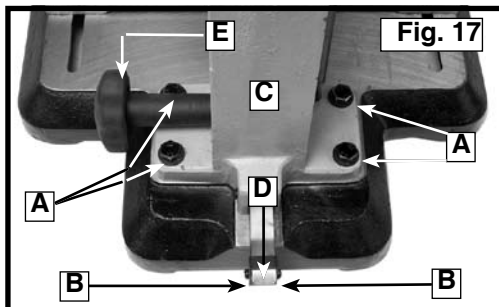


COMO COLOCAR LA EXTENSIÓN DE LA COLUMNA

Puede extender la columna para cortar mortajas en piezas de trabajo más altas. Para extender la columna:

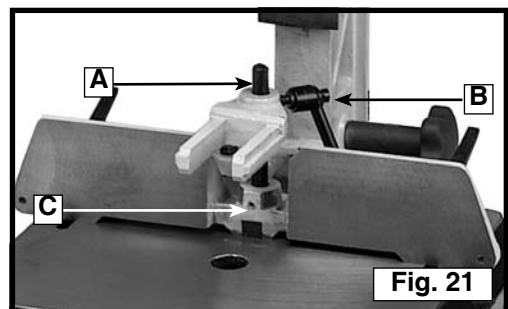
▲ ADVERTENCIA: ¡Desconecte la máquina de la fuente del poder!

1. Quite los dos tornillos (B) Fig. 17 y extraiga la cubierta de la cremallera (D).
2. Retire los cuatro tornillos, las arandelas de bloqueo y las arandelas planas (A) Fig. 17.
3. Gire el mango (E) hasta que el conjunto de la columna (C) Fig. 17 salga de la parte posterior de la cremallera y la base.
4. Coloque la prolongación de columna (A) Fig. 18 sobre la cremallera (B). Alinee los cuatro orificios de la prolongación de columna (A) Fig. 15 con los cuatro orificios de la base (C).
5. Coloque el conjunto de la columna (C) Fig. 19 sobre la prolongación de columna (A) y alinee los cuatro orificios (B) del conjunto de la columna con los cuatro orificios de la prolongación de columna (A).
6. Coloque las arandelas de bloqueo y de las arandelas planas que se quitaron en el **PASO 2** sobre un tornillo de cabeza hexagonal M8 x 1,25 x 80 mm.
7. Inserte el tornillo a través del orificio del conjunto de la columna (C) Fig. 20 y la prolongación de columna (A). Enrósquelo en la base (B). Repita este procedimiento para los tres orificios restantes.
8. Vuelva a colocar la cubierta de la cremallera (D) Fig. 20 que se quitó en el PASO 1.
9. Afloje la perilla de la plantilla de guía (B) Fig. 21 y retire la plantilla de guía. Afloje el tornillo de fijación (C), retire la varilla de la plantilla de guía (A) y reemplácela con la varilla de la plantilla de guía extendida. Ajuste el tornillo de fijación (C). Coloque la plantilla de guía



NOTA: Realice el procedimiento inverso para quitar la prolongación de columna.

CAUTION To prevent damage to the unit, place the rack cover over the gear. This action will prevent the cover from being trapped between the rack and the gear.

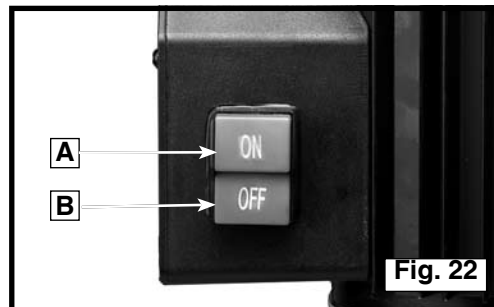


OPERACIÓN

CONTROLES Y AJUSTES OPERACIONALES

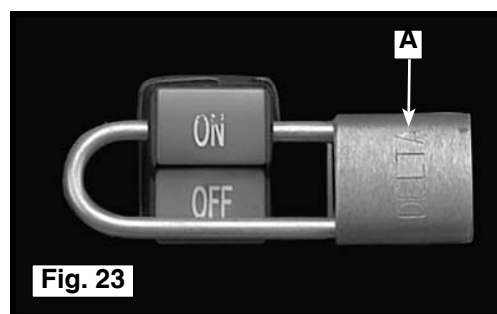
COMO ENCENDER Y APAGAR LA MÁQUINA

El interruptor de energía se encuentra en el costado izquierdo de la mortajadora. Para ENCENDER la mortajadora, presione el botón de encendido verde (A) Fig. 22. Para apagar la mortajadora, presione el botón rojo (B).



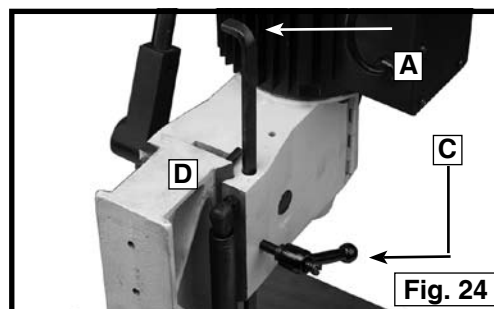
COMO BLOQUEAR EL INTERRUPTOR EN LA POSICIÓN DE APAGADO ("OFF")

Cuando la maquina no se esté utilizando, el interruptor debe bloquearse en la posición de apagado utilizando un candado (X), Fig. 23, con una barra de 3/16" de diámetro para impedir el uso no autorizado de la sierra.



COMO AJUSTAR LA VARILLA DE TOPE DE PROFUNDIDAD

La varilla de tope de profundidad (A) Fig. 24 limita la profundidad del cincel. Para ajustar la varilla de tope de profundidad (A), afloje la palanca (C) y baje la cabeza. Cuando la cabeza se encuentre en la posición deseada, baje la varilla de tope de profundidad (A) hasta que haga contacto con la parte superior de la columna (D) y ajuste la palanca (C).

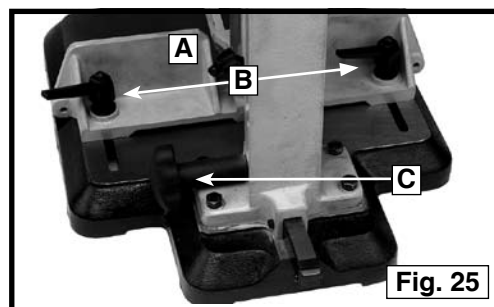


COMO AJUSTAR LA GUÍA

Puede colocar o quitar la guía (A) Fig. 25 aflojando los mangos de bloqueo (B), y girando el mango con cremallera de la guía (C). Ajuste los mangos (B) luego del movimiento.

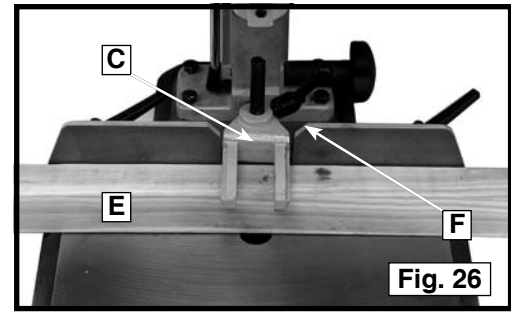
NOTA: Las palancas (B) funcionan a resorte y se pueden volver colocar en posición. Tire de la palanca y vuelca a colocarla en posición sobre la tuerca dentada que se encuentra debajo de la palanca.

La guía viene ajustada de fábrica. Si la guía parece estar floja durante el montaje, ajuste los dos tornillos de sujeción (D) Fig. 25 firmemente contra la cremallera de la guía.



COMO AJUSTAR LA PLANTILLA DE GUÍA

La plantilla de guía (C) Fig. 26 evita que la pieza de trabajo (E) se levante cuando el cincel sale del orificio. Para ajustar la plantilla de guía, afloje el mango (F), coloque la plantilla de guía de manera que toque apenas la parte superior de la pieza de trabajo (E), luego ajuste el mango. Puede invertir la plantilla de guía (C) para adaptarla a piezas de trabajo más gruesas.



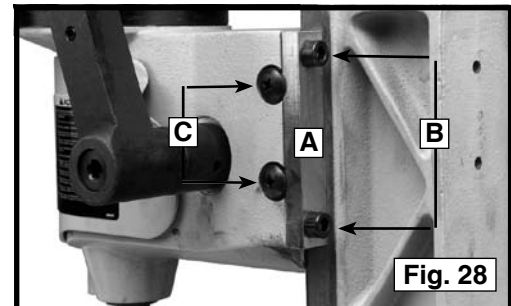
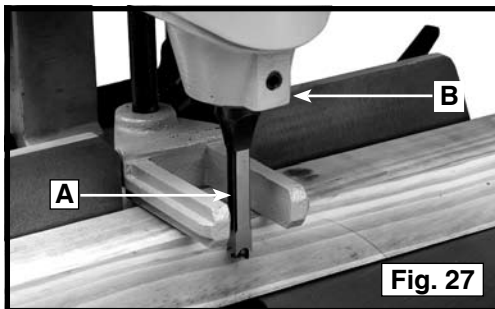
COMO AJUSTAR EL CINCEL PARALELO A LA PIEZA DE TRABAJO

Puede ajustar el cincel (A) Fig. 27 paralelo a la pieza de trabajo aflojando el tornillo (B) y girando el cincel hasta que su superficie posterior toque la pieza de trabajo. Fije el tornillo (B).

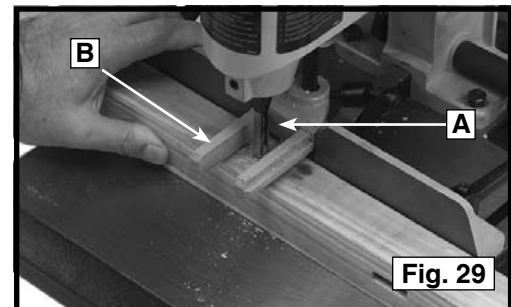
COMO AJUSTAR EL DESLIZAMIENTO ENTRE EL CABEZAL Y LA COLUMNA

Una contrachaveta para cola de milano (A) Fig. 28 asegura un buen ajuste de deslizamiento entre la cabeza y la columna. Realice el ajuste aflojando los dos tornillos (B) y girando los tornillos de ajuste (C). Ajuste los dos tornillos (B).

NOTA: El ajuste es el adecuado cuando no se detecta movimiento lateral entre la contrachaveta y la columna. Ajuste la contrachaveta de manera que no esté demasiado ajustada para restringir el movimiento deslizante o demasiado floja para afectar la precisión.



1. Mantenga las brocas y cinceles afilados.
2. Una típica ilustración de corte de mortajas se muestra en la Fig. 29. Observe que la abertura (A) del cincel está hacia la derecha. Mueva la pieza de trabajo de izquierda a derecha en los cortes subsiguientes para permitir que las astillas salgan libremente.
3. Sujete la pieza de trabajo con firmeza contra la guía. Asegúrese de que la plantilla de guía (B) Fig. 278 esté ajustada adecuadamente. La velocidad de penetración del cincel debe ser lo suficientemente rápida para evitar que la punta de la broca se queme, pero no tanto como para atascar el motor. Puede salir humo de la broca o la pieza de trabajo. El humo es una característica natural del funcionamiento de la herramienta, provocada por la fricción y la combustión de las resinas. La aparición de un color azulado en el cincel luego del primer uso no indica que el cincel no tenga filo, sino que es una combinación de fricción y resina acumulada en la cara de corte del cincel. Un cincel sin filo se puede detectar por la cantidad de fuerza adicional requerida para completar un corte.
4. Cuando realice una mortaja que atraviese totalmente la pieza, coloque un trozo de madera delgado entre la pieza de trabajo y la mesa para evitar la formación de astillas en la parte inferior de la mortaja.



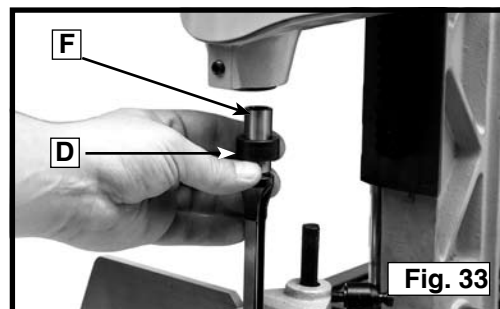
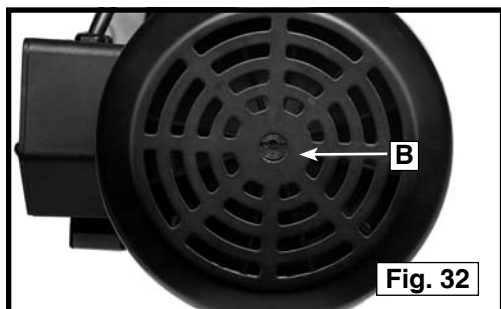
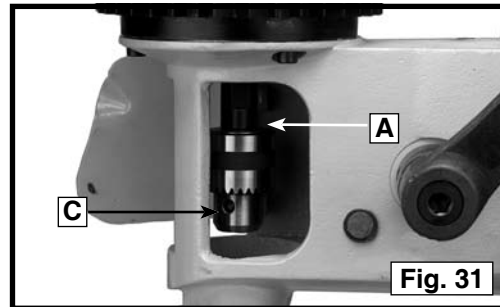
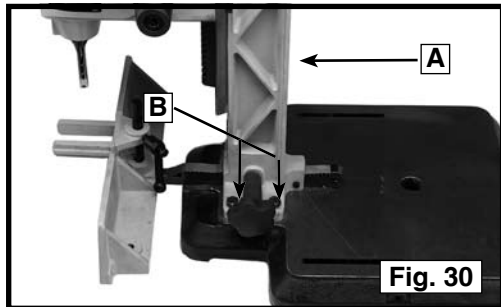
COMO girAR LA COLUMNa 180 GRADOS

La columna (A), Fig. 27 se puede girar 180 grados para cortes especiales. Para girar la columna, quite los cuatro tornillos, dos de los cuales se muestran en (B), gire la columna (A) 180 grados y vuelva a colocar los cuatro tornillos (B).

⚠ ADVERTENCIA: Debe asegurar la base a una superficie de apoyo.

UTILIZAR BROCAS CON EJES MUY LARGOS

Al utilizar brocas con ejes muy largos, retire la prolongación (A) Fig. 30. Inserte un destornillador en la ranura (B) Fig. 30 que se encuentra en el extremo del eje de la armadura ubicada sobre el motor (B) Fig. 32. Utilice una llave para portabrocas para desenroscar y quitar el portabrocas (C) Fig. 28 y la prolongación (A). Retire la prolongación (A) del portabrocas (C) y vuelva a colocar el portabrocas (C). También puede utilizar el espaciador del cincel. Coloque el espaciador del cincel (D) Fig. 30 sobre el eje del cincel (F) e inserte el cincel en el soporte para cincel. Ajuste bien el soporte para cincel.



LOCALIZACION DE FALLAS

Para obtener asistencia para su máquina, visite nuestro sitio Web en www.DeltaMachinery.com para tener acceso a una lista de centros de servicio o llame a la línea de ayuda de DELTA® Power Equipment Corporation al 1-800-223-7278.

MANTENIMIENTO

MANTENGA LA MÁQUINA LIMPIA

Periódicamente sople por todas las entradas de aire con aire comprimido seco. Todas las piezas de plástico deben limpiarse con un paño suave y húmedo. NUNCA utilice solventes para limpiar las piezas de plástico. Podrían derretirse o dañar el material.

⚠ ADVERTENCIA: Utilice equipo de seguridad certificado para proteger sus ojos, oídos y vías respiratorias cuando use aire comprimido.

FALLA EN EL ENCENDIDO

Si la máquina no enciende, verifique que las patas del enchufe del cable hagan buen contacto en el tomacorriente. Además, revise que no hayan fusibles quemados o interruptores automáticos de circuito abierto en la línea.

LUBRICACION Y PROTECCION CONTRA OXIDO

Aplique semanalmente cera en pasta para pisos a la mesa de la máquina y a la extensión u otra superficie de trabajo. También puede usar productos protectores disponibles en comercios y diseñados con este propósito. Siga las instrucciones del fabricante para su uso y seguridad. Para limpiar el óxido de las mesas de hierro fundido, necesitará los siguientes materiales: 1 hoja de AlmoHADILLA Manual para Matizado mediana Scotch-Brite™, 1 lata de WD-40® y 1 lata de desgrasador. Aplique el WD-40 y pule la superficie de la mesa con la almohadilla Scotch-Brite. Desgrase la mesa y luego aplique el producto protector como se muestra más arriba.

SERVICIO

PIEZAS DE REPUESTO

Utilice sólo piezas de repuesto idénticas. Para obtener una lista de piezas o para solicitar piezas, visite nuestro sitio web en www.DeltaMachinery.com/service. También puede solicitar piezas en nuestro centro más cercano, o llamando a nuestro Centro de atención al cliente al 1-800-223-7278 para obtener asistencia personalizada de nuestros técnicos capacitados.

REEMPLAZO GRATUITO DE LAS ETIQUETAS DE ADVERTENCIA

Si las etiquetas de advertencia se tornan eligibles o se pierden, llame al 1-800-223-7278 para reemplazarlas sin costo alguno.

⚠ WARNING TO REDUCE THE RISK OF INJURY USER MUST READ THE INSTRUCTION MANUAL BEFORE OPERATING MORTISING MACHINE. ALWAYS USE PROPER EYE AND RESPIRATORY PROTECTION. DO NOT WEAR GLOVES, NECKTIES, JEWELRY, LOOSE CLOTHING. MAKE SURE MACHINE IS SECURED TO A STURDY BENCH OR STAND BEFORE OPERATING. ALWAYS CLAMP WORK SECURELY TO TABLE WITH HOLD-DOWN TO PREVENT LIFTING. ALWAYS SUPPORT WORKPIECE SECURELY AGAINST FENCE TO PREVENT ROTATION. KEEP FINGERS AND HAIR AWAY FROM ROTATING BIT. BE SURE DRILL BIT IS SHARP, NOT DAMAGED, AND PROPERLY SECURED IN THE CHUCK BEFORE OPERATING. MAKE CERTAIN CHUCK KEY IS REMOVED BEFORE STARTING MACHINE. UNPLUG MACHINE FROM POWER SOURCE BEFORE MAKING REPAIRS OR ADJUSTMENTS. DO NOT OPERATE WHILE UNDER INFLUENCE OF DRUGS, ALCOHOL OR MEDICATION. SHOCK HAZARD. DO NOT EXPOSE TO RAIN OR USE IN DAMP LOCATIONS.

⚠ ADVERTENCIA PARA REDUCIR EL RIESGO DE LESIONES, EL USUARIO DEBE LEER EL MANUAL DE INSTRUCCIONES ANTES DE OPERAR LA ESMERILADORA. SIEMPRE UTILICE PROTECCIÓN ADECUADA PARA LOS OJOS Y VÍAS RESPIRATORIAS. NO UTILICE GUANTES, CORBATAS, JOYAS O ROPA HOLGADA. ASEGÚRESE DE QUE LA MÁQUINA ESTÉ BIEN SUJETA A UN BANCO O BASE FIRMES ANTES DE USARLA. SIEMPRE USE UNA ABRAZADERA PARA SUJETAR EL MATERIAL SOBRE LA MESA CON CONTENCIÓN PARA EVITAR QUE SE LEVANTE. SOSTENGA SIEMPRE LA PIEZA DE TRABAJO CONTRA LA GUÍA PARA EVITAR QUE GIRE. MANTENGA LOS DEDOS Y EL CABELLO ALEJADOS DE LA BROCA GIRATORIA. ASEGÚRESE DE QUE LA BROCA DEL TALADRO ESTÉ AFILADA, SIN DAÑOS, Y SUJETA CORRECTAMENTE EN EL PORTABROCAS ANTES DE USARLO. ASEGÚRESE DE RETIRAR LA LLAVE DEL PORTABROCAS ANTES DE ENCENDER LA MÁQUINA. DESCONECTE LA MÁQUINA DE LA FUENTE DE ENERGÍA ANTES DE REALIZAR REPARACIONES O AJUSTES. NO OPERE LA HERRAMIENTA BAJO LA INFLUENCIA DE DROGAS, ALCOHOL O MEDICACIÓN. RIESGO DE DESCARGA ELÉCTRICA. NO EXPONGA A LA LLUVIA NI UTILICE EN LUGARES HÚMEDOS.

⚠ AVERTISSEMENT L'UTILISATEUR DOIT LIRE LE MODE D'EMPLOI AVANT D'UTILISER LA MORTAISEUSE AFIN DE RÉDUIRE LE RISQUE DE BLESSURE. TOUJOURS UTILISER UNE PROTECTION OCULAIRE ET UNE PROTECTION RESPIRATOIRE ADÉQUATES. NE PAS PORTER DE GANTS, NI CRAVATES, BIJOUX OU VÊTEMENTS AMPLES. S'ASSURER QUE L'APPAREIL EST SOLIDEMENT FIXÉ À UN ÉTABLI OU UN SOCLE ROBUSTE AVANT DE DÉBUTER LE TRAVAIL. TOUJOURS APPUYER SOLIDEMENT LA PIÈCE CONTRE LE GUIDE POUR PRÉVENIR TOUTE ROTATION. TOUJOURS FIXER SOLIDEMENT LA PIÈCE À LA TABLE AVEC DES PIÈCES DE RETENUE POUR PRÉVENIR UN SOULÈVEMENT INOPINÉ. ÉLOIGNER LES DOIGTS ET LES CHEVEUX DE LA MÈCHE EN MOUVEMENT. S'ASSURER QUE LA MÈCHE EST AFFÛTÉE, INTACTE ET SOLIDEMENT FIXÉE DANS LE MANDRIN AVANT D'UTILISER L'APPAREIL. S'ASSURER DE RETIRER LA CLÉ DU MANDRIN AVANT DE DÉMARRER L'APPAREIL. DÉBRANCHER L'APPAREIL DE LA SOURCE D'ALIMENTATION AVANT TOUTES RÉPARATIONS OU RÉGLAGES. NE PAS UTILISER SOUS L'EMPRISE DE DROGUES, D'ALCOOL OU DE MÉDICAMENT. RISQUE DE CHOC ÉLECTRIQUE. PROTÉGER DE LA PLUIE ET NE PAS L'UTILISER DANS DES ENDROITS HUMIDES.

A19962

MANTENIMIENTO Y REPARACIONES

Con el paso del tiempo, todas las herramientas de calidad requieren mantenimiento o reemplazo de las piezas. Para obtener información acerca de DELTA® Power Equipment Corporation, sus sucursales propias o un Centro de mantenimiento con garantía autorizado, visite nuestro sitio web en www.DeltaMachinery.com o llame a nuestro Centro de atención al cliente al 1-800-223-7278. Todas las reparaciones realizadas por nuestros centros de mantenimiento están completamente garantizadas en relación con los materiales defectuosos y la mano de obra. No podemos otorgar garantías en relación con las reparaciones ni los intentos de reparación de otras personas.

También puede escribirnos solicitando información a DELTA® Power Equipment Corporation, 99 Roush Street, Anderson South Carolina 29625 - Mantenimiento de productos. Asegúrese de incluir toda la información mencionada en la placa de la herramienta (número de modelo, tipo, número de serie, etc.)

ACCESORIOS

Una línea completa de accesorios está disponible de su surtidor de DELTA®, centros de servicio de la fábrica de DELTA®, y estaciones autorizadas delta. Visite por favor nuestro Web site www.DeltaMachinery.com para un catálogo o para el nombre de su surtidor más cercano.

⚠ ADVERTENCIA: Puesto que los accesorios con excepción de éstos ofrecidos por DELTA® no se han probado con este producto, el uso de tales accesorios podría ser peligroso. Para la operación más segura, solamente el delta recomendó los accesorios se debe utilizar con este producto.

GARANTIA

Para registrar la herramienta para obtener el mantenimiento cubierto por la garantía de la herramienta, visite nuestro sitio web en www.DeltaMachinery.com.

Garantía limitada de dos años para productos nuevos

DELTA® reparará o reemplazará, a expensas y opción propias, cualquier máquina nueva, pieza de máquina nueva o accesorio de máquina nuevo DELTA® que durante el uso normal haya presentado defectos de fabricación o de material, siempre que el cliente devuelva el producto con el transporte prepago a un centro de servicio de fábrica DELTA® o una estación de servicio autorizado DELTA®, con un comprobante de compra del producto, dentro del plazo de dos años y dé a DELTA® una oportunidad razonable de verificar el supuesto defecto mediante la realización de una inspección. Para todos los productos DELTA® reacondicionados, el período de garantía es de 180 días. DELTA® podrá requerir que los motores eléctricos sean devueltos con el transporte prepago a una estación autorizada de un fabricante de motores para ser sometidos a inspección y reparación o para ser reemplazados. DELTA® no será responsable de ningún defecto alegado que haya resultado del desgaste normal, uso indebido, abuso o reparación o alteración realizada o autorizada específicamente por alguien que no sea un centro de servicio autorizado DELTA® o un representante autorizado DELTA®. DELTA® no será responsable en ninguna circunstancia de los daños incidentales o emergentes que se produzcan como resultado de productos defectuosos. Esta garantía es la única garantía de DELTA® y establece el recurso exclusivo del cliente en lo que respecta a los productos defectuosos; DELTA® rechaza expresamente todas las demás garantías, expresas o implícitas, tanto de comerciabilidad como de idoneidad para un propósito o de cualquier otro tipo.

AMÉRICA LATINA: Esta garantía no se aplica a los productos que se venden en América Latina. Para los productos que se venden en América Latina, debe consultar la información de la garantía específica del país que viene en el empaque, llamar a la compañía local o visitar el sitio Web a fin de obtener esa información.

PÓLIZA DE GARANTÍA

IDENTIFICACION DEL PRODUCTO:

Sello o firma del Distribuidor. Nombre del producto: _____ Mod./Cat.: _____ Marca: _____
Núm. de serie: _____ (Datos para ser llenados por el distribuidor) Fecha de compra y/o entrega del producto: _____ Nombre y domicilio del distribuidor donde se adquirió el producto: _____ Este producto está garantizado por un año a partir de la fecha de entrega, contra cualquier defecto en su funcionamiento, así como en materiales y mano de obra empleados para su fabricación. Nuestra garantía incluye la reparación o reposición del producto y/o componentes sincargo alguno para el cliente, incluyendo mano de obra, así como los gastos de transportación razonablemente erogados derivados del cumplimiento de este certificado. Para hacer efectiva esta garantía deberá presentar su herramienta y esta póliza sellada por el establecimiento comercial donde se adquirió el producto, de no contar con ésta, bastará la factura de compra.

EXCEPCIONES

Esta garantía no será válida en los siguientes casos:

- Cuando el producto se hubiese utilizado en condiciones distintas a las normales;
- Cuando el producto no hubiese sido operado de acuerdo con el instructivo de uso que se acompaña;
- Cuando el producto hubiese sido alterado o reparado por personas distintas a las enlistadas al final de este certificado.

Anexo encontrará una relación de sucursales de servicio de fábrica, centros de servicio autorizados y franquiciados en la República Mexicana, donde podrá hacer efectiva su garantía y adquirir partes, refacciones y accesorios originales.



POWER EQUIPMENT CORPORATION

99 Roush Street
Anderson, South Carolina 29625
(800) 223-7278
www.DeltaMachinery.com

Copyright © 2011 DELTA® Power Equipment Corporation • DPEC000239 - 10-12-11

REVISED: 12-04-14



Free Manuals Download Website

<http://myh66.com>

<http://usermanuals.us>

<http://www.somanuals.com>

<http://www.4manuals.cc>

<http://www.manual-lib.com>

<http://www.404manual.com>

<http://www.luxmanual.com>

<http://aubethermostatmanual.com>

Golf course search by state

<http://golfingnear.com>

Email search by domain

<http://emailbydomain.com>

Auto manuals search

<http://auto.somanuals.com>

TV manuals search

<http://tv.somanuals.com>