

# 1½ H.P. Single-Stage Dust Collector

(Model 50-850)



PART NO. 902115 - 11-15-02  
Copyright © 2002 Delta Machinery



# DELTA

To learn more about DELTA MACHINERY  
visit our website at: [www.deltamachinery.com](http://www.deltamachinery.com).

**For Parts, Service, Warranty or other Assistance,**

**please call 1-800-223-7278 (In Canada call 1-800-463-3582).**

**ESPAÑOL: PÁGINA 15**

# GENERAL SAFETY RULES

Woodworking can be dangerous if safe and proper operating procedures are not followed. As with all machinery, there are certain hazards involved with the operation of the product. Using the machine with respect and caution will considerably lessen the possibility of personal injury. However, if normal safety precautions are overlooked or ignored, personal injury to the operator may result. Safety equipment such as guards, push sticks, hold-downs, featherboards, goggles, dust masks and hearing protection can reduce your potential for injury. But even the best guard won't make up for poor judgment, carelessness or inattention. Always use common sense and exercise caution in the workshop. If a procedure feels dangerous, don't try it. Figure out an alternative procedure that feels safer. **REMEMBER:** Your personal safety is your responsibility.

This machine was designed for certain applications only. Delta Machinery strongly recommends that this machine not be modified and/or used for any application other than that for which it was designed. If you have any questions relative to a particular application, **DO NOT** use the machine until you have first contacted Delta to determine if it can or should be performed on the product.

## Technical Service Manager

Delta Machinery  
4825 Highway 45 North  
Jackson, TN 38305

(IN CANADA: 505 SOUTHGATE DRIVE, GUELPH, ONTARIO N1H 6M7)



## WARNING: FAILURE TO FOLLOW THESE RULES MAY RESULT IN SERIOUS PERSONAL INJURY

1. **FOR YOUR OWN SAFETY, READ INSTRUCTION MANUAL BEFORE OPERATING THE TOOL.** Learn the tool's application and limitations as well as the specific hazards peculiar to it.

2. **KEEP GUARDS IN PLACE** and in working order.

3. **ALWAYS WEAR EYE PROTECTION.** Wear safety glasses. Everyday eyeglasses only have impact resistant lenses; they are not safety glasses. Also use face or dust mask if cutting operation is dusty. These safety glasses must conform to ANSI Z87.1 requirements. Note: Approved glasses have Z87 printed or stamped on them.

4. **REMOVE ADJUSTING KEYS AND WRENCHES.** Form habit of checking to see that keys and adjusting wrenches are removed from tool before turning it "on".

5. **KEEP WORK AREA CLEAN.** Cluttered areas and benches invite accidents.

6. **DON'T USE IN DANGEROUS ENVIRONMENT.** Don't use power tools in damp or wet locations, or expose them to rain. Keep work area well-lighted.

7. **KEEP CHILDREN AND VISITORS AWAY.** All children and visitors should be kept a safe distance from work area.

8. **MAKE WORKSHOP CHILDPROOF** – with padlocks, master switches, or by removing starter keys.

9. **DON'T FORCE TOOL.** It will do the job better and be safer at the rate for which it was designed.

10. **USE RIGHT TOOL.** Don't force tool or attachment to do a job for which it was not designed.

11. **WEAR PROPER APPAREL.** No loose clothing, gloves, neckties, rings, bracelets, or other jewelry to get caught in moving parts. Non-slip footwear is recommended. Wear protective hair covering to contain long hair.

12. **SECURE WORK.** Use clamps or a vise to hold work when practical. It's safer than using your hand and frees both hands to operate tool.

13. **DON'T OVERREACH.** Keep proper footing and balance at all times.

14. **MAINTAIN TOOLS IN TOP CONDITION.** Keep tools sharp and clean for best and safest performance. Follow instructions for lubricating and changing accessories.

15. **DISCONNECT TOOLS** before servicing and when changing accessories such as blades, bits, cutters, etc.

16. **USE RECOMMENDED ACCESSORIES.** The use of accessories and attachments not recommended by Delta may cause hazards or risk of injury to persons.

17. **REDUCE THE RISK OF UNINTENTIONAL STARTING.** Make sure switch is in "OFF" position before plugging in power cord. In the event of a power failure, move switch to the "OFF" position.

18. **NEVER STAND ON TOOL.** Serious injury could occur if the tool is tipped or if the cutting tool is accidentally contacted.

19. **CHECK DAMAGED PARTS.** Before further use of the tool, a guard or other part that is damaged should be carefully checked to ensure that it will operate properly and perform its intended function – check for alignment of moving parts, binding of moving parts, breakage of parts, mounting, and any other conditions that may affect its operation. A guard or other part that is damaged should be properly repaired or replaced.

20. **DIRECTION OF FEED.** Feed work into a blade or cutter against the direction of rotation of the blade or cutter only.

21. **NEVER LEAVE TOOL RUNNING UNATTENDED. TURN POWER OFF.** Don't leave tool until it comes to a complete stop.

22. **STAY ALERT, WATCH WHAT YOU ARE DOING, AND USE COMMON SENSE WHEN OPERATING A POWER TOOL. DO NOT USE TOOL WHILE TIRED OR UNDER THE INFLUENCE OF DRUGS, ALCOHOL, OR MEDICATION.** A moment of inattention while operating power tools may result in serious personal injury.

23. **MAKE SURE TOOL IS DISCONNECTED FROM POWER SUPPLY** while motor is being mounted, connected or reconnected.

24. **THE DUST GENERATED** by certain woods and wood products can be injurious to your health. Always operate machinery in well ventilated areas and provide for proper dust removal. Use wood dust collection systems whenever possible.

**SAVE THESE INSTRUCTIONS.**

**Refer to them often and use them to instruct others.**

# ADDITIONAL SAFETY RULES FOR DUST COLLECTORS



**WARNING: FAILURE TO FOLLOW THESE RULES MAY RESULT IN SERIOUS PERSONAL INJURY.**

1. **DO NOT OPERATE THIS MACHINE** until it is **assembled** and **installed** according to the instructions.
2. **OBTAIN ADVICE FROM YOUR SUPERVISOR, instructor, or another qualified person** if you are not familiar with the operation of this machine.
3. **FOLLOW ALL WIRING CODES** and recommended electrical connections.
4. **DO NOT** leave the dust collector plugged into the electrical outlet. Unplug dust collector from the outlet when not in use and before servicing, changing bags, unclogging and cleaning.
5. **ALWAYS** turn all controls “OFF” before unplugging the dust collector.
6. **TO REDUCE THE RISK OF ELECTRICAL SHOCK**, do not use on wet surfaces. Do not expose to rain. Store indoors.
7. **DO NOT** use the dust collector to pick up flammable or combustible liquids, such as gasoline. **NEVER** use the dust collector near any flammable or combustible liquids.
8. **USE** the dust collector to pick up wood materials only. **DO NOT** use the dust collector to pick up metal shavings, metal dust, or metal parts.
9. **NEVER** use the dust collector to dissipate fumes or smoke. **NEVER** pick up anything that is burning or smoking, such as cigarettes, matches or hot ashes.
10. **DO NOT** pull the dust collector by the power cord. **NEVER** allow the power cord to come in contact with sharp edges, hot surfaces, oil or grease. Do not place anything over the top of the power cord.
11. **DO NOT** unplug the dust collector by pulling on the power cord. **ALWAYS** grasp the plug, not the cord.
12. **DO NOT** handle the plug or dust collector with wet hands.
13. **REPLACE** a damaged cord immediately. **DO NOT** use a damaged cord or plug. If the dust collector is not operating properly, or has been damaged, left outdoors or has been in contact with water, take it to an Authorized Service Center for service.
14. **DO NOT** use the dust collector as a toy. **DO NOT** use near or around children.
15. **DO NOT** insert fingers or foreign objects into the dust intake port or discharge port. Keep hair, loose clothing, fingers, and all body parts away from openings and moving parts of the dust collector.
16. **DO NOT** use with any opening blocked; keep openings free of dust, lint, hair, and anything that may reduce air flow.
17. **NEVER** use the dust collector without the dust collection bag in place and properly secured.
18. **ALWAYS** use intake cover to cover dust port when the dust collector is not in use or mounted to a supporting surface for storage.
19. **PERIODICALLY INSPECT** dust bag for any cuts, rips or tears. **NEVER** operate the dust collector with a damaged bag or vacuum hose.
20. **USE EXTRA CARE** when cleaning on stairs.
21. **TURN THE MACHINE “OFF” AND DISCONNECT THE MACHINE** from the power source before installing or removing accessories, before adjusting or changing set-ups, or when making repairs.
22. **TURN THE MACHINE “OFF”**, disconnect the machine from the power source, and clean the table/work area before leaving the machine. **LOCK THE SWITCH IN THE “OFF” POSITION** to prevent unauthorized use.
23. **ADDITIONAL INFORMATION** regarding the safe and proper operation of this tool is available from the Power Tool Institute, 1300 Summer Avenue, Cleveland, OH 44115-2851. Information is also available from the National Safety Council, 1121 Spring Lake Drive, Itasca, IL 60143-3201. Please refer to the American National Standards Institute ANSI 01.1 Safety Requirements for Woodworking Machines and the U.S. Department of Labor OSHA 1910.213 Regulations.

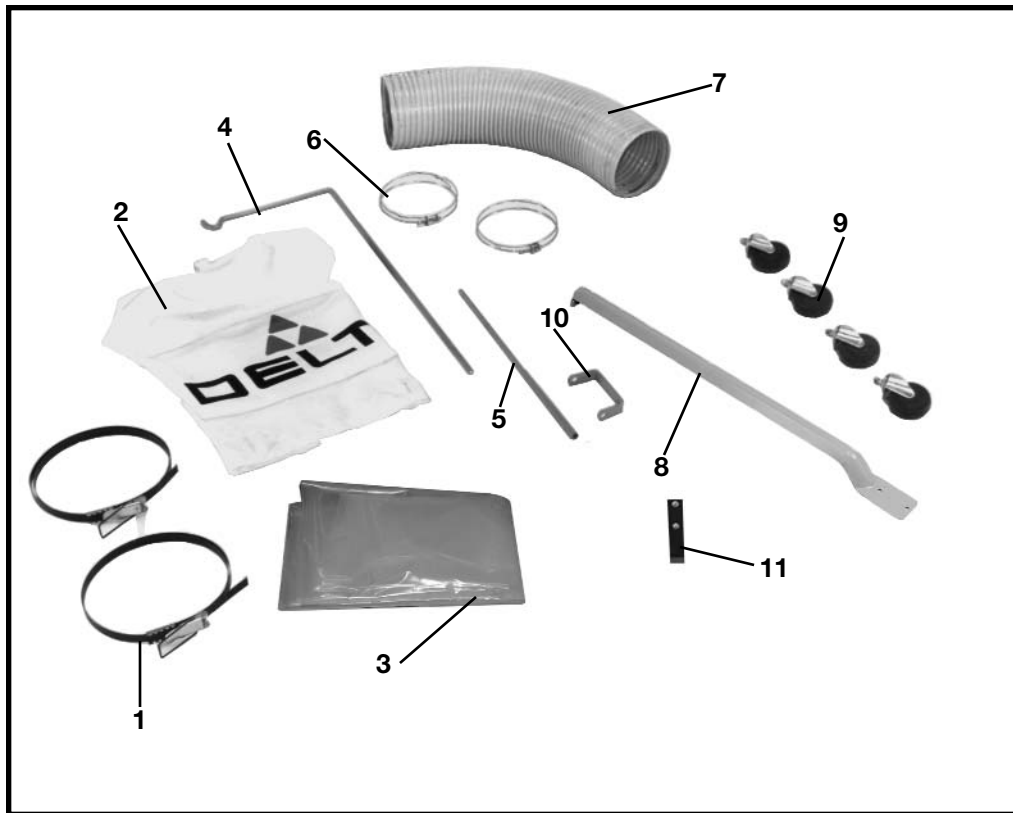
**SAVE THESE INSTRUCTIONS.  
Refer to them often  
and use them to instruct others.**

# UNPACKING AND CLEANING

Carefully unpack the tool and all loose items from the shipping container(s). Remove the protective coating from all unpainted surfaces. This coating may be removed with a soft cloth moistened with kerosene (do not use acetone, gasoline or lacquer thinner for this purpose). After cleaning, cover the unpainted surfaces with a good quality household floor paste wax. **ILLUSTRATIONS ARE REPRESENTATIVE ONLY AND MAY NOT DEPICT THE ACTUAL COLOR, LABELING OR ACCESSORIES AND MAY BE INTENDED TO ILLUSTRATE TECHNIQUE ONLY**

**Fig. 2**

- 1 - Locking Bands for Filter and Dust Collection Bags (2)
- 2 - Filter Bag
- 3 - Dust Collection Bag
- 4 - Filter Bag Support Rod
- 5 - Extension Rod
- 6 - Clamps (2)
- 7 - 6" Dia. Flexible Hose
- 8 - Drum Support (3)
- 9 - Casters (3/8" Lockwashers, 3/8-16 Hex Nuts) (4)
- 10 - "U" Bracket for Filter Bag Support Rod
- 11 - Lower Dust Bag retaining Clips (4)



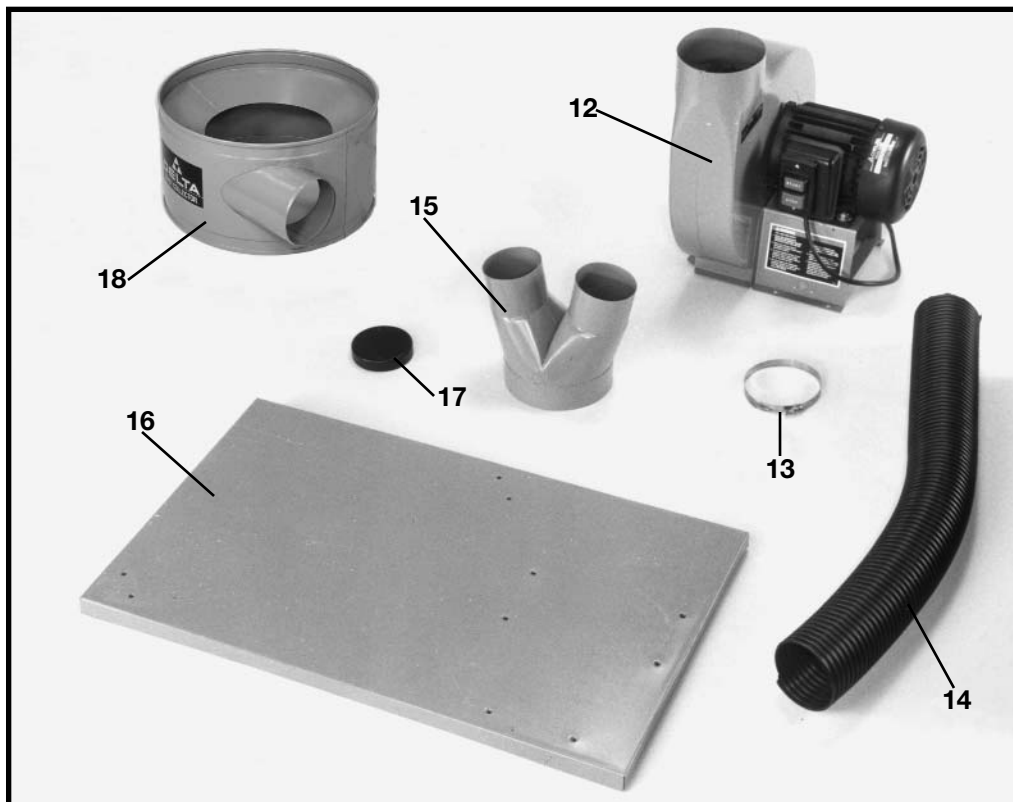
**Fig. 2**

**Fig. 3**

- 12 - Blower and Motor Assembly
- 13 - Clamp
- 14 - 4" Dia. Flexible Hose
- 15 - Intake Port
- 16 - Base
- 17 - Intake Caps (2)
- 18 - Drum

**HARDWARE NOT SHOWN**

- \* - 5/16"-18 x 5/8" Hex Head Screws (20)
- \* - 5/16" Lockwashers (24)
- \* - 5/16"-18 Hex Nuts (12)
- \* - 5/16" x 7/8" O.D. Flat Washers (6)
- \* - M4.2 Sheet Metal Screws (4)
- \* - 1/4"-20x5/8" Hex Head Screws (8)
- \* - 1/4" Lockwashers (8)
- \* - 1/4"-20 Hex Nuts (8)



**Fig. 3**

# ASSEMBLY

**⚠ WARNING: FOR YOUR OWN SAFETY, DO NOT CONNECT THE MACHINE TO THE POWER SOURCE UNTIL THE MACHINE IS COMPLETELY ASSEMBLED AND YOU READ AND UNDERSTAND THE ENTIRE INSTRUCTION MANUAL.**

## ASSEMBLING CASTERS TO BASE

1. Insert threaded rod of caster (A) Fig. 4, into the hole located on the underside of base (B) and fasten with 3/8" lockwasher (C) and 3/8-16 hex nut (D). Fig. 5, illustrates the caster fastened to the base.

2. Assemble the remaining three casters to the underside of the base in the same manner.

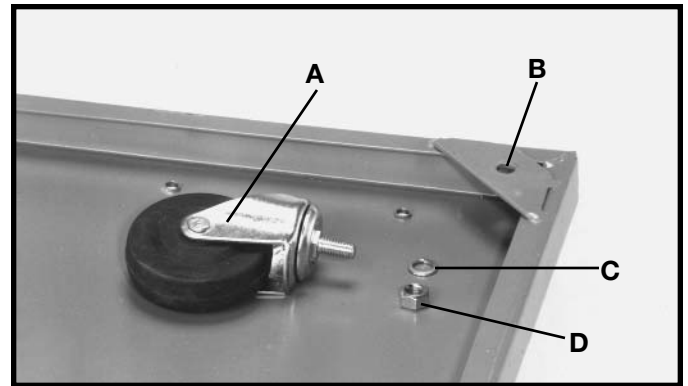


Fig. 4

## ASSEMBLING BLOWER AND MOTOR ASSEMBLY TO BASE

1. Turn base (A) Fig. 6, right side up. Align the mounting holes at the base of blower and motor assembly (B) Fig. 6, with six pre-drilled holes (C) in base (A) and fasten with six 5/16-18x5/8" hex head screws (D) and 5/16" lockwashers (E).

2. Fig. 7, illustrates the blower and motor assembly (B) fastened to base (A).

3. Assemble drum support (F) Fig. 8, to the two threaded holes in the corner of base (A), as shown in Fig. 8, with two 5/16-18x5/8" hex head screws and 5/16" lockwashers (G). **NOTE:** Do not completely tighten hardware at this time.



Fig. 5

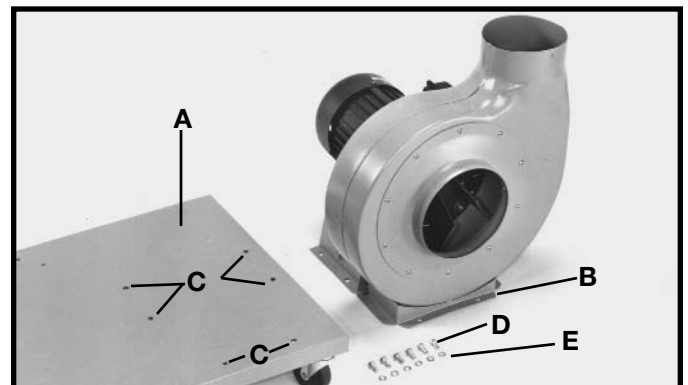


Fig. 6

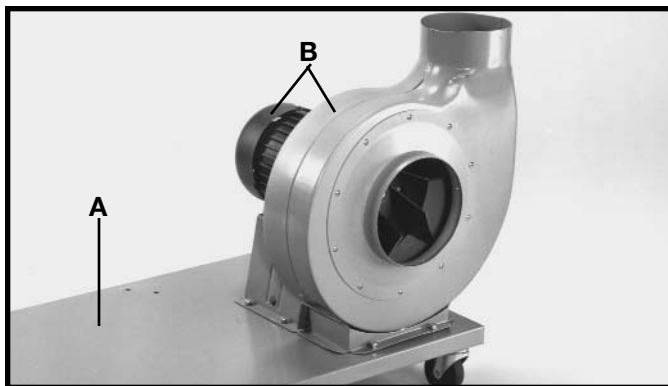


Fig. 7

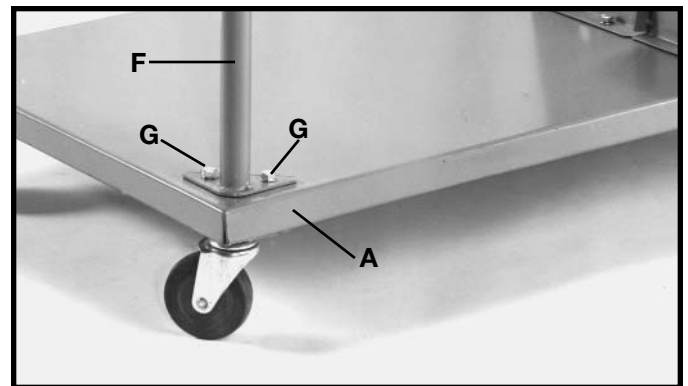


Fig. 8

4. Assemble the remaining drum supports (F) Fig. 9, to base (A) as shown.

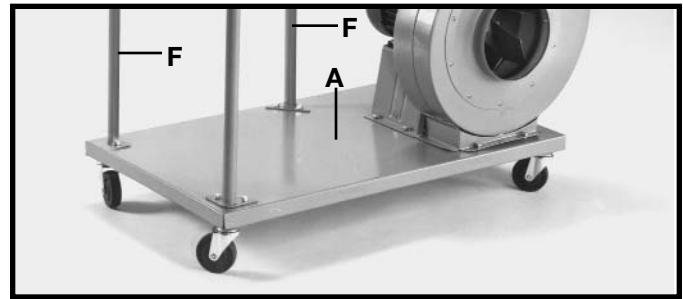


Fig. 9

5. Assemble "U" bracket (H) Fig. 10, to drum (J). Place a 5/16" flat washer then a 5/16" lockwasher onto a 5/16-18x5/8" hex head screw. Insert the hex head screw (K) thru the hole in the "U" bracket and the hole in the drum, thread a 5/16" hex nut onto the hex head screw and tighten securely. Repeat this process for the remaining hole. **NOTE:** "U" bracket should be mounted to the right side of opening (L) in drum as shown.



Fig. 10

6. Align the holes in the drum support (M) Fig. 12, with the holes in the drum (J). Place a 5/16" flat washer on a 5/16-18x5/8" hex head screw, then 5/16" lockwasher onto the hex head screw, insert the hex head screw thru the hole in drum support and drum. Thread a 5/16" hex nut onto the hex head screw and tighten securely. Fasten the remaining drum supports to the drum (J) in the same manner.

7. The dust collector is supplied with two 6" hose clamps (P) Fig. 13. Place one end of 6" dia. flexible hose (R) over blower/motor inlet (B) Fig. 14, and secure with hose clamp (P).

8. Place the other 6" hose clamp on flexible hose and attach the other end of the hose to drum (J) Fig. 14 in the same manner.



Fig. 12

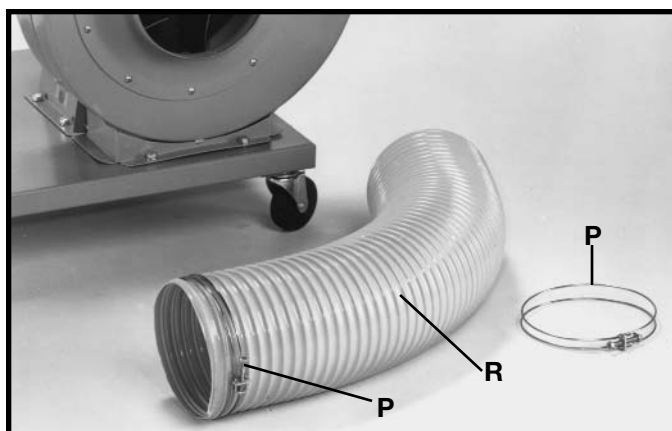


Fig. 13

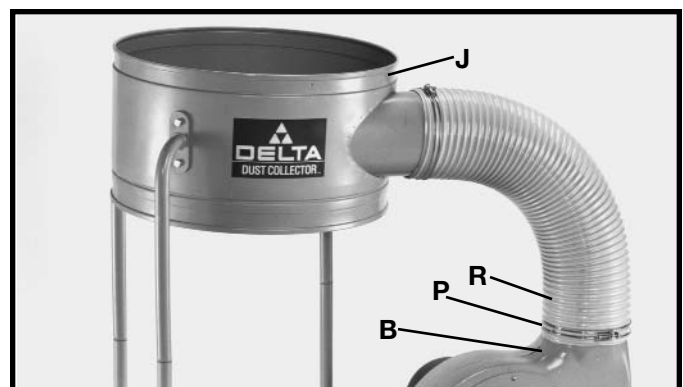


Fig. 14

9. Attach the lower dust bag retaining clip (A) Fig. 14A, to the dust collector drum. Align the two holes (B) in the retaining clip (A) Fig. 14A, with the two holes in the drum. Insert a 1/4-20x5/8" hex head screw through the holes in the retaining clip and the holes in the drum. Place a 1/4" flat washer onto the screws, and thread 1/4-20 hex nut s on the screws and tighten securely. Repeat this process for the three remaining sides of the drum.

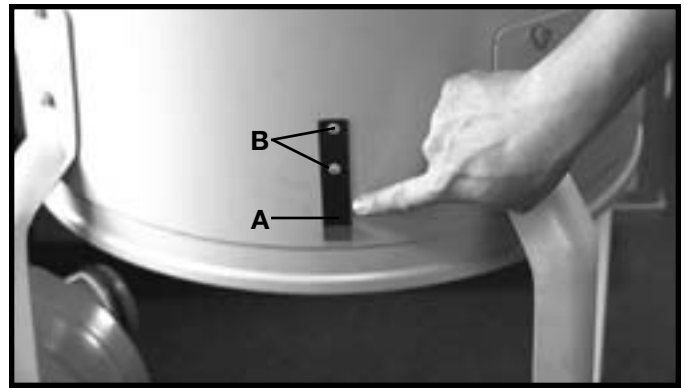


Fig. 14A

## ASSEMBLING DUST INTAKE PORT AND CAPS TO BLOWER AND MOTOR ASSEMBLY

1. **MAKE CERTAIN THE DUST COLLECTOR IS DISCONNECTED FROM THE POWER SOURCE.**

2. Align the four holes in dust intake port (A) Fig. 15, with the mounting holes in flange (B) of blower and motor assembly and fasten with four sheet metal screws (C). Fig. 16 illustrates the dust intake port assembled to the blower assembly.

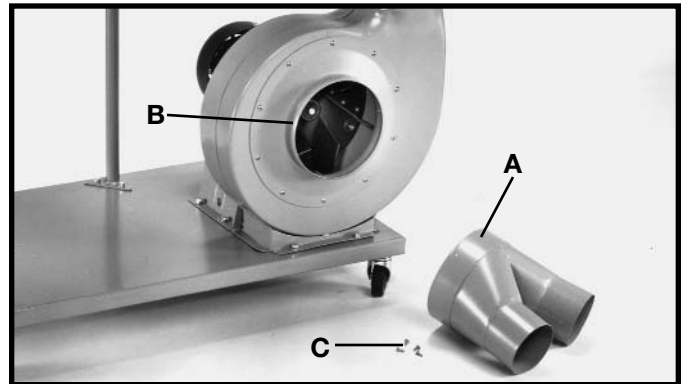


Fig. 15

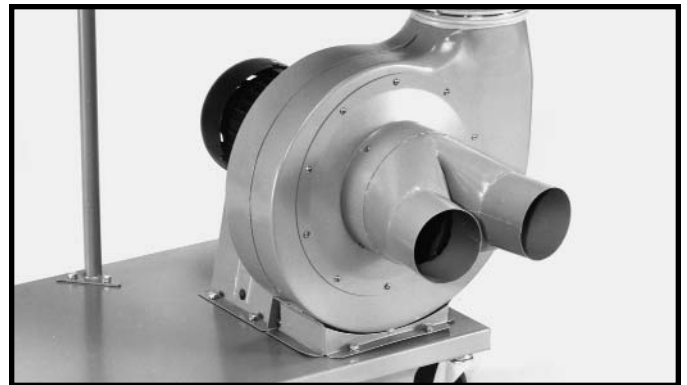


Fig. 16

3. **NOTE:** Two dust intake port caps (D) Fig. 17, are supplied with the dust collector. The caps are to be placed into the dust intake ports (E) when the intake ports are not in use.

4. Place the collar of dust cap (D) Fig. 17, over the opening on intake port. Press recessed side of dust cap (D) into port opening. **IMPORTANT:** When connecting an intake hose to one or both intake ports, **DO NOT REMOVE THE DUST CAP COLLARS (F) FIG. 17 FROM THE INTAKE PORTS.** Pull the dust cap from the port opening and slide the collar and cap farther onto the port housing.

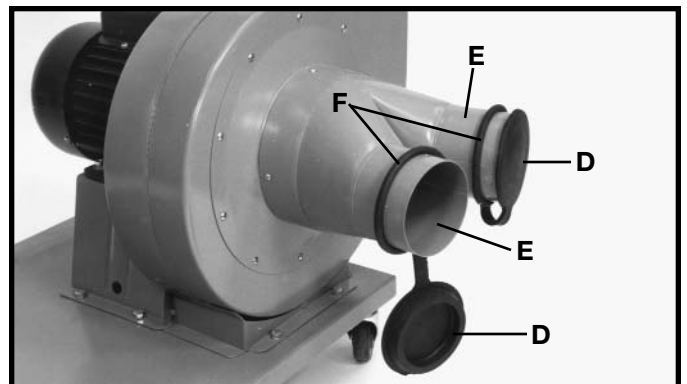


Fig. 17



# ASSEMBLING FILTER AND DUST COLLECTION BAGS TO DRUM

1. Hook the loop on the top of filter bag (A) Fig. 18, onto filter bag support rod (B) as shown.

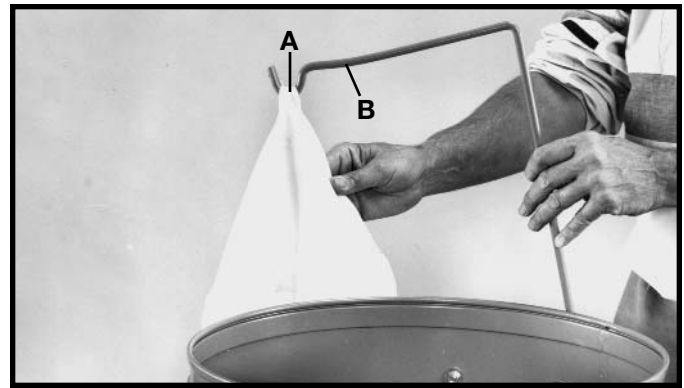


Fig. 18

2. Assemble extension rod (C) Fig. 19, onto the end of filter bag support rod (B). Raise support rods (B) and (C), with filter bag (A) attached and place end of support rod (C) into holes of bracket (D). **NOTE:** Flared end of filter bag extension rod will prevent the rod from sliding through bracket.

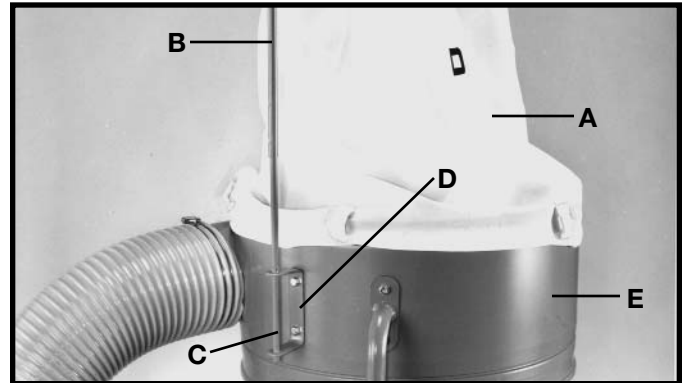


Fig. 19

3. Position open end of filter bag (A) Fig. 19, over lip of dust drum (E). Insert locking band (F) Fig. 20, through the loops of filter bag (A) and fasten with clamp (G) as shown in Fig. 21. **NOTE:** Make certain locking band is positioned in the channel of drum (F) before fastening clamp.

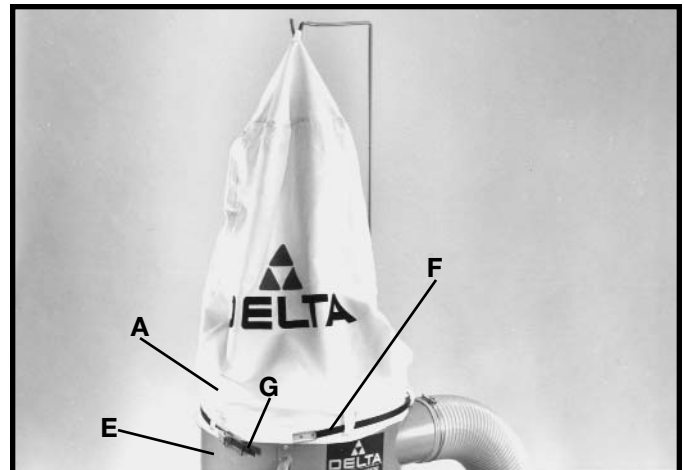


Fig. 20

4. Pull up on each retaining clip (A) Fig. 22, and insert the dust collection bag (B) underneath each retaining clip to hold the dust collection bag in place.

5. Place the locking clamp (C) Fig. 22 around dust collection bag and dust collector drum and lock in place.

**NOTE:** Make certain locking clamp is positioned in the channel of the dust collector drum before locking clamp.

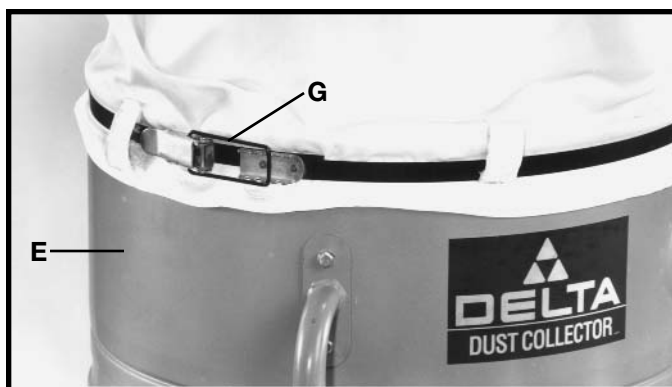


Fig. 21



Fig. 22



# ASSEMBLING DUST INTAKE HOSES TO BLOWER AND MOTOR ASSEMBLY

KEEP DUST CAPS INSTALLED AT ALL TIMES OVER INTAKE PORTS. REMOVE A DUST CAP ONLY WHEN A FLEXIBLE HOSE IS ATTACHED TO THE INTAKE PORT.

The dust collector is supplied with a 4" dia. flexible dust intake hose.

1. To assemble the intake hose (A) Fig. 23, to the blower assembly, pull the dust cap (B) from the dust intake port (C) and slide the dust cap collar (D) farther onto the dust intake port (C) as shown. **IMPORTANT: DO NOT REMOVE THE INTAKE CAP FROM THE INTAKE PORT.**

2. Place hose clamp (E) Fig. 23, on one end of flexible hose (A) and assemble the hose to dust intake port (C). Tighten hose clamp (E).

Should you wish to operate your dust collector with a second intake hose, contact your local Delta Distributor to

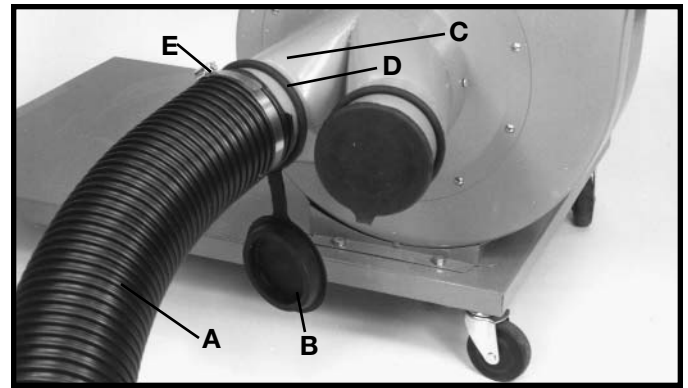


Fig. 23

purchase the hose and install as in **STEPS 1** and **2** above. Whenever one of the dust intake ports is not in use, always be sure the dust cap is properly installed in the intake port for operator safety.

**ALWAYS DISCONNECT DUST COLLECTOR FROM THE POWER SOURCE BEFORE CONNECTING OR DISCONNECTING INTAKE HOSE.**

## CONNECTING TOOL TO POWER SOURCE POWER CONNECTIONS

A separate electrical circuit should be used for your tools. This circuit should not be less than #12 wire and should be protected with a 20 Amp time lag fuse. Have a qualified electrician repair or replace damaged or worn cord immediately. Before connecting the motor to the power line, make certain the switch is in the "OFF" position and be sure that the electric current is of the same characteristics as stamped on the motor nameplate. All line connections should make good contact. Running on low voltage will damage the motor.

**⚠️ WARNING: DO NOT EXPOSE THE DUST COLLECTOR TO RAIN OR OPERATE THE MACHINE IN DAMP LOCATIONS.**

## MOTOR SPECIFICATIONS

Your tool is wired for 120 volt, 60 HZ alternating current. Before connecting the tool to the power source, make sure the switch is in the "OFF" position.

## GROUNDING INSTRUCTIONS



**WARNING: THIS TOOL MUST BE GROUNDED WHILE IN USE TO PROTECT THE OPERATOR FROM ELECTRIC SHOCK.**

This tool must be grounded. If it should malfunction or break down, grounding provides a path of least resistance for electric current to reduce the risk of electric shock. This tool is equipped with a cord having an equipment-grounding conductor and grounding plug. The plug must be inserted into an appropriate outlet that is properly installed and grounded in accordance with all local codes and ordinances.

**WARNING:** Improper connection of the equipment-grounding conductor can result in a risk of electric shock. Check with a qualified electrician or service person if you are in doubt as to whether the outlet is properly grounded. Do not modify the plug provided with the dust collector. If it will not fit the outlet, have a proper outlet installed by a qualified electrician.

## 120 VOLT, SINGLE PHASE OPERATION

This tool must be grounded while in use to protect the operator from electric shock. The motor recommended for use with your dust collector is shipped wired for 120 Volt, Single Phase, and is equipped with an approved 3-conductor cord and 3-prong grounding type plug to fit the proper grounding type receptacle, as shown in Fig. 24. The green conductor in the cord is the grounding wire. Never connect the green wire to a live terminal.

A temporary adapter, shown in Fig. 25, is available for connecting 3-prong grounding type plugs to 2-prong receptacles if a properly grounded outlet is not available. The temporary adapter should be used only until a properly grounded outlet can be installed by a qualified electrician. **THIS ADAPTER IS NOT APPLICABLE IN CANADA.** The green-colored rigid ear, lug, etc., extending from the adapter, is the grounding means and must be connected to a permanent ground such as to a properly grounded outlet box, as shown in Fig. 25. Whenever the adapter is used, it must be held in place with a metal screw.

## 240 VOLT, SINGLE PHASE OPERATION

The motor supplied with your tool is a dual voltage 120/240 volt motor. If it is desired to operate your dust collector at 240 volts, single phase, contact your local Authorized Delta Service Center or qualified electrician for proper procedures to rewire your dust collector motor for 240 volt operation and wiring a 240 volt attachment plug to the power supply cord.

The tool with a 240 volt plug should only be connected to an outlet having the same configuration as the plug illustrated in Fig. 26. No adapter is available or should be used with the 240 volt plug.

**AS A PRECAUTION IN ALL CASES, MAKE CERTAIN THE RECEPTACLE IN QUESTION IS PROPERLY GROUNDED. IF YOU ARE NOT SURE, HAVE A QUALIFIED ELECTRICIAN CHECK THE RECEPTACLE.**

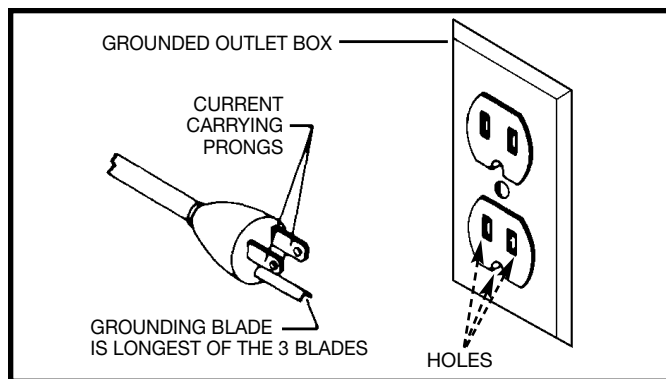


Fig. 24

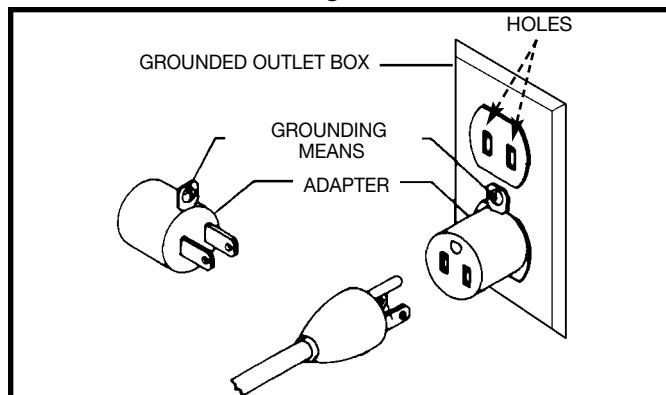


Fig. 25

## EXTENSION CORDS

Use proper extension cords. Make sure your extension cord is in good condition and is a 3-wire extension cord which has a 3-prong grounding type plug and a 3-hole receptacle which will accept the tool's plug. When using an extension cord, be sure to use one heavy enough to carry the current of the tool. An undersized cord will cause a drop in line voltage, resulting in loss of power and overheating. Figs. 27 & 27A, shows the correct gauge to use depending on the cord length. If in doubt, use the next heavier gauge. The smaller the gauge number, the heavier the cord.

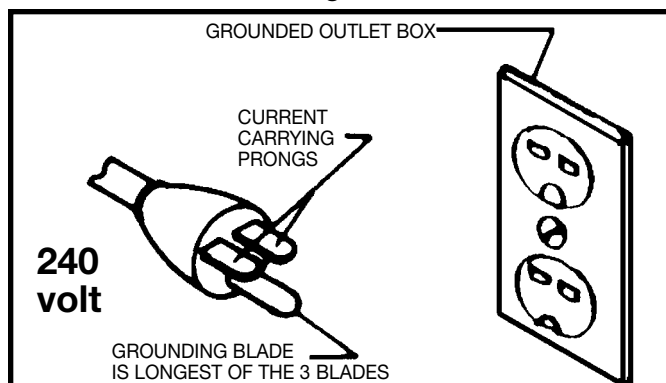


Fig. 26

MINIMUM GAUGE EXTENSION CORD			
RECOMMENDED SIZES FOR USE WITH STATIONARY ELECTRIC TOOLS			
Ampere Rating	Volts	Total Length of Cord in Feet	Gauge of Extension Cord
0-6	120	up to 25	18 AWG
0-6	120	25-50	16 AWG
0-6	120	50-100	16 AWG
0-6	120	100-150	14 AWG
6-10	120	up to 25	18 AWG
6-10	120	25-50	16 AWG
6-10	120	50-100	14 AWG
6-10	120	100-150	12 AWG
10-12	120	up to 25	16 AWG
10-12	120	25-50	16 AWG
10-12	120	50-100	14 AWG
10-12	120	100-150	12 AWG
12-16	120	up to 25	14 AWG
12-16	120	25-50	12 AWG
12-16	120	GREATER THAN 50 FEET NOT RECOMMENDED	

Fig. 27

MINIMUM GAUGE EXTENSION CORD			
RECOMMENDED SIZES FOR USE WITH STATIONARY ELECTRIC TOOLS			
Ampere Rating	Volts	Total Length of Cord in Feet	Gauge of Extension Cord
0-6	240	up to 50	18 AWG
0-6	240	50-100	16 AWG
0-6	240	100-200	16 AWG
0-6	240	200-300	14 AWG
6-10	240	up to 50	18 AWG
6-10	240	50-100	16 AWG
6-10	240	100-200	14 AWG
6-10	240	200-300	12 AWG
10-12	240	up to 50	16 AWG
10-12	240	50-100	16 AWG
10-12	240	100-200	14 AWG
10-12	240	200-300	12 AWG
12-16	240	up to 50	14 AWG
12-16	240	50-100	12 AWG
12-16	240	GREATER THAN 100 FEET NOT RECOMMENDED	

Fig. 27A

# OPERATING CONTROLS

**⚠️ WARNING: BEFORE OPERATING THE MACHINE, FOR OPERATOR SAFETY, ALWAYS MAKE CERTAIN THAT EACH DUST INTAKE PORT (WHICH IS NOT BEING USED OR PREVIOUSLY ASSEMBLED TO A DUST COLLECTION SYSTEM) BE COVERED WITH A DUST INTAKE PORT CAP. THE ROTATING FAN INSIDE THE BLOWER HOUSING IS ACCESSIBLE THROUGH THE DUST INTAKE PORTS AND IS HAZARDOUS. ALWAYS WEAR PROPER APPAREL, DO NOT WEAR JEWELRY, AND KEEP FINGERS AND ALL FOREIGN OBJECTS OUT OF THE DUST INTAKE PORTS. FOLLOW THE SAFETY RULES STATED EARLIER ON PAGES 3 AND 4 IN THIS MANUAL.**

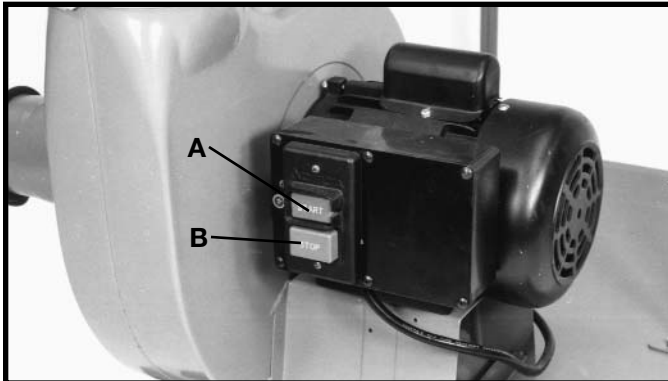


Fig. 28

## ON/OFF SWITCH

The “on/off” switch is located on the side of the motor. To turn the dust collector “ON”, push the start button (A) Fig. 28. To turn the dust collector “OFF”, push stop button (B).

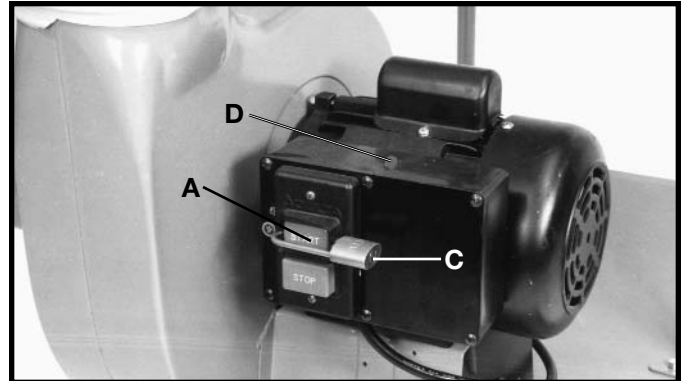


Fig. 29

## LOCKING SWITCH IN THE “OFF” POSITION

**IMPORTANT:** When the machine is not in use, the switch (A) Fig.18 should be locked in the OFF position using a padlock (C), with a 3/16" diameter shackle to prevent unauthorized use.

# CIRCUIT BREAKER

Your dust collector motor is supplied with a resettable circuit breaker. If the motor shuts off or fails to start due to an overload condition, turn the dust collector switch “OFF;” let the motor cool three to five minutes, and push the reset button (D) Fig. 29, on the circuit breaker to reset the breaker. The motor can then be turned on again in the usual manner. If the overload continues to trip, take the dust collector to a Delta Authorized Service Center for repair.

# MAINTENANCE

**NOTE:** Before any maintenance or service is performed, be sure the unit is disconnected from the power source to prevent starting. All servicing other than the items recommended in this Instruction Manual should be performed by an authorized service facility. When storing your dust collector, remove power supply cord from the electrical outlet. Coil the cord neatly and place it off the floor on the base of the dust collector to eliminate potential cord damage.

## MOTOR MAINTENANCE

Removing dust and dirt: Blow off motor with low pressure air to remove dust or dirt. Air pressure above 50 P.S.I. should not be used as high pressure may damage insulation and blow dirt under loosened tape. The operator performing this cleaning function should always wear eye protective goggles. Dust can cause excessive insulation temperatures.

# ACCESSORIES

A complete line of accessories is available from your Delta Supplier, Porter-Cable • Delta Factory Service Centers, and Delta Authorized Service Stations. Please visit our Web Site [www.deltamachinery.com](http://www.deltamachinery.com) for a catalog or for the name of your nearest supplier.



**WARNING:** Since accessories, other than those offered by Delta, have not been tested with this product, use of such accessories could be hazardous. For safest operation, only Delta recommended accessories should be used with this product.



## PARTS, SERVICE OR WARRANTY ASSISTANCE

All Delta Machines and accessories are manufactured to high quality standards and are serviced by a network of Porter-Cable • Delta Factory Service Centers and Delta Authorized Service Stations. To obtain additional information regarding your Delta quality product or to obtain parts, service, warranty assistance, or the location of the nearest service outlet, please call 1-800-223-7278 (In Canada call 1-800-463-3582).



### Two Year Limited Warranty

Delta will repair or replace, at its expense and at its option, any Delta machine, machine part, or machine accessory which in normal use has proven to be defective in workmanship or material, provided that the customer returns the product prepaid to a Delta factory service center or authorized service station with proof of purchase of the product within two years and provides Delta with reasonable opportunity to verify the alleged defect by inspection. Delta may require that electric motors be returned prepaid to a motor manufacturer's authorized station for inspection and repair or replacement. Delta will not be responsible for any asserted defect which has resulted from normal wear, misuse, abuse or repair or alteration made or specifically authorized by anyone other than an authorized Delta service facility or representative. Under no circumstances will Delta be liable for incidental or consequential damages resulting from defective products. This warranty is Delta's sole warranty and sets forth the customer's exclusive remedy, with respect to defective products; all other warranties, express or implied, whether of merchantability, fitness for purpose, or otherwise, are expressly disclaimed by Delta.

Printed in U.S.A.

## PORTER-CABLE • DELTA SERVICE CENTERS (CENTROS DE SERVICIO DE PORTER-CABLE • DELTA)

Parts and Repair Service for Porter-Cable • Delta Machinery are Available at These Locations  
(Obtenga Refaccion de Partes o Servicio para su Herramienta en los Siguietes Centros de Porter-Cable • Delta)

### ARIZONA

Tempe 85282 (Phoenix)  
2400 West Southern Avenue  
Suite 105  
Phone: (602) 437-1200  
Fax: (602) 437-2200

### CALIFORNIA

Ontario 91761 (Los Angeles)  
3949A East Guasti Road  
Phone: (909) 390-5555  
Fax: (909) 390-5554

San Leandro 94577 (Oakland)  
3039 Teagarden Street  
Phone: (510) 357-9762  
Fax: (510) 357-7939

### COLORADO

Arvada 80003 (Denver)  
8175 Sheridan Blvd., Unit S  
Phone: (303) 487-1809  
Fax: (303) 487-1868

### FLORIDA

Davie 33314 (Miami)  
4343 South State Rd. 7 (441)  
Unit #107  
Phone: (954) 321-6635  
Fax: (954) 321-6638

Tampa 33609  
4538 W. Kennedy Boulevard  
Phone: (813) 877-9585  
Fax: (813) 289-7948

### GEORGIA

Forest Park 30297 (Atlanta)  
5442 Frontage Road,  
Suite 112  
Phone: (404) 608-0006  
Fax: (404) 608-1123

### ILLINOIS

Addison 60101 (Chicago)  
400 South Rohlwing Rd.  
Phone: (630) 424-8805  
Fax: (630) 424-8895

Woodridge 60517 (Chicago)  
2033 West 75th Street  
Phone: (630) 910-9200  
Fax: (630) 910-0360

### MARYLAND

Elkridge 21075 (Baltimore)  
7397-102 Washington Blvd.  
Phone: (410) 799-9394  
Fax: (410) 799-9398

### MASSACHUSETTS

Braintree 02185 (Boston)  
719 Granite Street  
Phone: (781) 848-9810  
Fax: (781) 848-6759

Franklin 02038 (Boston)  
Franklin Industrial Park  
101E Constitution Blvd.  
Phone: (508) 520-8802  
Fax: (508) 528-8089

### MICHIGAN

Madison Heights 48071 (Detroit)  
30475 Stephenson Highway  
Phone: (248) 597-5000  
Fax: (248) 597-5004

### MINNESOTA

Minneapolis 55429  
5522 Lakeland Avenue North  
Phone: (763) 561-9080  
Fax: (763) 561-0653

### MISSOURI

North Kansas City 64116  
1141 Swift Avenue  
P.O. Box 12393  
Phone: (816) 221-2070  
Fax: (816) 221-2897

St. Louis 63119  
7574 Watson Road  
Phone: (314) 968-8950  
Fax: (314) 968-2790

### NEW YORK

Flushing 11365-1595 (N.Y.C.)  
175-25 Horace Harding Expwy.  
Phone: (718) 225-2040  
Fax: (718) 423-9619

### NORTH CAROLINA

Charlotte 28270  
9129 Monroe Road, Suite 115  
Phone: (704) 841-1176  
Fax: (704) 708-4625

### OHIO

Columbus 43214  
4560 Indianola Avenue  
Phone: (614) 263-0929  
Fax: (614) 263-1238

Cleveland 44125  
8001 Sweet Valley Drive  
Unit #19  
Phone: (216) 447-9030  
Fax: (216) 447-3097

### OREGON

Portland 97230  
4916 NE 122 nd Ave.  
Phone: (503) 252-0107  
Fax: (503) 252-2123

### PENNSYLVANIA

Willow Grove 19090  
520 North York Road  
Phone: (215) 658-1430  
Fax: (215) 658-1433

### TEXAS

Carrollton 75006 (Dallas)  
1300 Interstate 35 N, Suite 112  
Phone: (972) 446-2996  
Fax: (972) 446-8157

Houston 77055  
West 10 Business Center  
1008 Wirt Road, Suite 120  
Phone: (713) 682-0334  
Fax: (713) 682-4867

### WASHINGTON

Auburn 98001 (Seattle)  
3320 West Valley HWY, North  
Building D, Suite 111  
Phone: (253) 333-8353  
Fax: (253) 333-9613

Authorized Service Stations are located in many large cities. Telephone **800-438-2486** or **731-541-6042** for assistance locating one. Parts and accessories for Porter-Cable-Delta products should be obtained by contacting any Porter-Cable-Delta Distributor, Authorized Service Center, or Porter-Cable-Delta Factory Service Center. If you do not have access to any of these, call **800-223-7278** and you will be directed to the nearest Porter-Cable-Delta Factory Service Center. Las Estaciones de Servicio Autorizadas están ubicadas en muchas grandes ciudades. Llame al **800-438-2486** ó al **731-541-6042** para obtener asistencia a fin de localizar una. Las piezas y los accesorios para los productos Porter-Cable-Delta deben obtenerse poniéndose en contacto con cualquier distribuidor Porter-Cable-Delta, Centro de Servicio Autorizado o Centro de Servicio de Fábrica Porter-Cable-Delta. Si no tiene acceso a ninguna de estas opciones, llame al **800-223-7278** y le dirigirán al Centro de Servicio de Fábrica Porter-Cable-Delta más cercano.

## CANADIAN PORTER-CABLE • DELTA SERVICE CENTERS

### ALBERTA

Bay 6, 2520-23rd St. N.E.  
Calgary, Alberta  
T2E 8L2  
Phone: (403) 735-6166  
Fax: (403) 735-6144

### BRITISH COLUMBIA

8520 Baxter Place  
Burnaby, B.C.  
V5A 4T8  
Phone: (604) 420-0102  
Fax: (604) 420-3522

### MANITOBA

1699 Dublin Avenue  
Winnipeg, Manitoba  
R3H 0H2  
Phone: (204) 633-9259  
Fax: (204) 632-1976

### ONTARIO

505 Southgate Drive  
Guelph, Ontario  
N1H 6M7  
Phone: (519) 836-2840  
Fax: (519) 767-4131

### QUÉBEC

1515 ave.  
St-Jean Baptiste,  
Québec, Québec  
G2E 5E2  
Phone: (418) 877-7112  
Fax: (418) 877-7123

1447, Begin  
St-Laurent, (Montréal),  
Québec  
H4R 1V8  
Phone: (514) 336-8772  
Fax: (514) 336-3505

The following are trademarks of PORTER-CABLE-DELTA (Las siguientes son marcas registradas de PORTER-CABLE S.A.): Auto-Set®, BAMMER®, B.O.S.S.®, Builder's Saw®, Contractor's Saw®, Contractor's Saw II™, Delta®, DELTACRAFT®, DELTAGRAM™, Delta Series 2000™, DURATRONIC™, Emc<sup>2</sup>™, FLEX®, Flying Chips™, FRAME SAW®, Homecraft®, INNOVATION THAT WORKS®, Jet-Lock®, JETSTREAM®, 'kickstand'®, LASERLOC®, MICRO-SET®, Micro-Set®, Midi Lathe™, MORTEN™, NETWORK™, OMNIJIG®, POCKET CUTTER®, PORTA-BAND®, PORTA-PLANE®, PORTER-CABLE®(design), PORTER-CABLE®PROFESSIONAL POWER TOOLS, Posi-Matic®, Q-3®(design), QUICKSAND®(design), QUICKSET™, QUICKSET II®, QUICKSET PLUS™, RIPTIDE™(design), SAFE GUARD II®, SAFE-LOC®, Sanding Center®, SANDTRAP®(design), SAW BOSS®, Sawbuck™, Sidekick®, SPEED-BLOC®, SPEEDMATIC®, SPEEDTRONIC®, STAIR EASE®, The American Woodshop®(design), The Lumber Company®(design), THE PROFESSIONAL EDGE®, THE PROFESSIONAL SELECT®, THIN-LINE™, TIGER®, TIGER CUB®, TIGER SAW®, TORQBUSTER®, TORQ-BUSTER®, TRU-MATCH™, TWIN-LITE®, UNIGUARD®, Unifence®, UNIFEEDER™, Unihead®, Uniplane™, Unirip®, Unisaw®, Univise®, Versa-Feeder®, VERSA-PLANE®, WHISPER SERIES®, WOODWORKER'S CHOICE™.

Trademarks noted with ™ and ® are registered in the United States Patent and Trademark Office and may also be registered in other countries. Las Marcas Registradas con el signo de ™ y ® son registradas por la Oficina de Registros y Patentes de los Estados Unidos y también pueden estar registradas en otros países.

Printed in U.S.A.

## Free Manuals Download Website

<http://myh66.com>

<http://usermanuals.us>

<http://www.somanuals.com>

<http://www.4manuals.cc>

<http://www.manual-lib.com>

<http://www.404manual.com>

<http://www.luxmanual.com>

<http://aubethermostatmanual.com>

Golf course search by state

<http://golfingnear.com>

Email search by domain

<http://emailbydomain.com>

Auto manuals search

<http://auto.somanuals.com>

TV manuals search

<http://tv.somanuals.com>