

Dell™ OptiPlex™ SX Systems

Setup and Quick Reference Guide

Guide de configuration et de référence rapide

Guía de configuración y de referencia rápida



Model DCT



www.dell.com | support.dell.com
Download from www.Somanuals.com. All Manuals Search And Download.

Dell™ OptiPlex™ SX Systems

Setup and Quick Reference Guide



Notes, Notices, and Cautions



NOTE: A NOTE indicates important information that helps you make better use of your computer.



NOTICE: A NOTICE indicates either potential damage to hardware or loss of data and tells you how to avoid the problem.



CAUTION: A CAUTION indicates a potential for property damage, personal injury, or death.

Abbreviations and Acronyms

For a complete list of abbreviations and acronyms, see the “Glossary” in the *User’s Guide*.

If you purchased a Dell™ n Series computer, any references in this document to Microsoft® Windows® operating systems are not applicable.

**Information in this document is subject to change without notice.
© 2002–2003 Dell Computer Corporation. All rights reserved.**

Reproduction in any manner whatsoever without the written permission of Dell Computer Corporation is strictly forbidden.

Trademarks used in this text: *Dell*, *OptiPlex*, and the *DELL* logo are trademarks of Dell Computer Corporation; *Microsoft* and *Windows* are registered trademarks of Microsoft Corporation; *Intel*, *Pentium*, and *Celeron* are registered trademarks of Intel Corporation.

Other trademarks and trade names may be used in this document to refer to either the entities claiming the marks and names or their products. Dell Computer Corporation disclaims any proprietary interest in trademarks and trade names other than its own.

May 2003 P/N 1U919 Rev. A02

Contents

About This Guide	5
Features	5
CAUTION: Safety Instructions	7
General	7
When Using Your Computer	9
When Working Inside Your Computer	10
Protecting Against Electrostatic Discharge	11
Ergonomic Computing Habits	11
Battery Disposal	11
Getting Started/Setup	12
Determine the Computer's Placement and Orientation	12
Installing a Device in the Module Bay	13
Attaching the Stand	14
Connecting the AC Adapter	14
Connecting External Devices	16
Attaching the Cable Cover	17
Attaching the Stand to the Mounting Plate	19
Finding Information and Assistance	21
Solving Problems	23
Using the Dell Drivers and Utilities CD	24
Running the Dell Diagnostics	24
Running the Dell IDE Hard-Drive Diagnostics	26
Regulatory Information	26
Class A	27
Class B	27

Limited Warranties and Return Policy	29
Limited Warranty for the U.S.	29
"Total Satisfaction" Return Policy (U.S. Only)	32
Limited Warranty Terms for Canada	33
"Total Satisfaction" Return Policy	36
Dell Software and Peripherals	37
One-Year End-User Manufacturer Guarantee (Latin America and the Caribbean Only)	38
Intel® Warranty Statement for Pentium® and Celeron® Processors Only (U.S. and Canada Only)	39

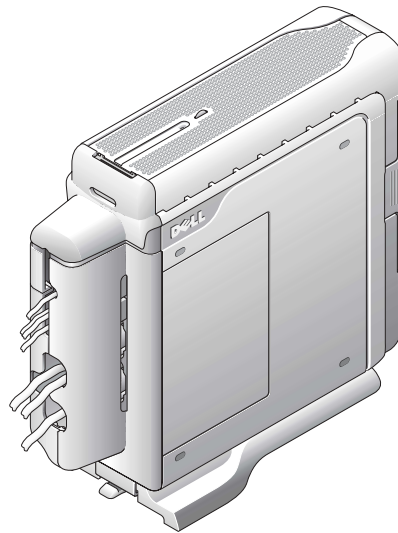
About This Guide

This document contains getting started/setup; solving problems; and safety, regulatory, and warranty information about your Dell™ OptiPlex™ computer.

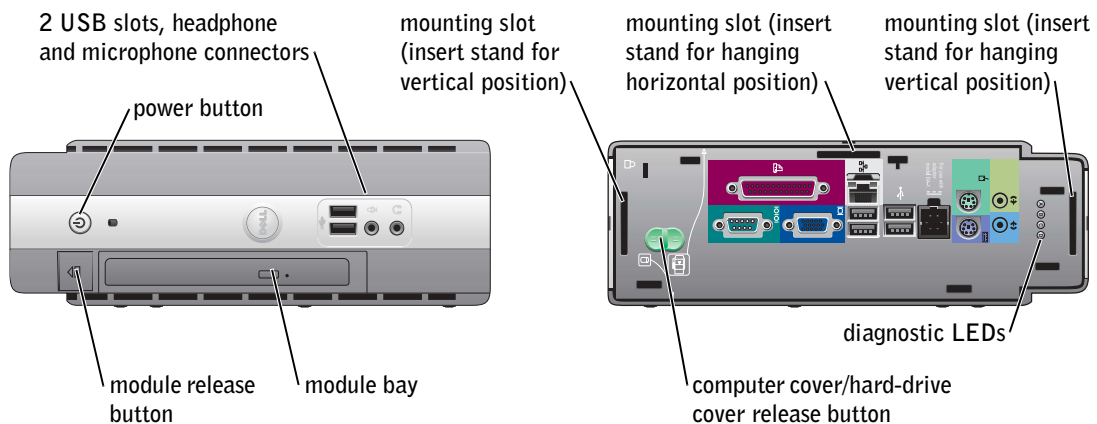
To obtain the latest versions of the documents on your hard drive, go to the Dell Support website at support.dell.com.

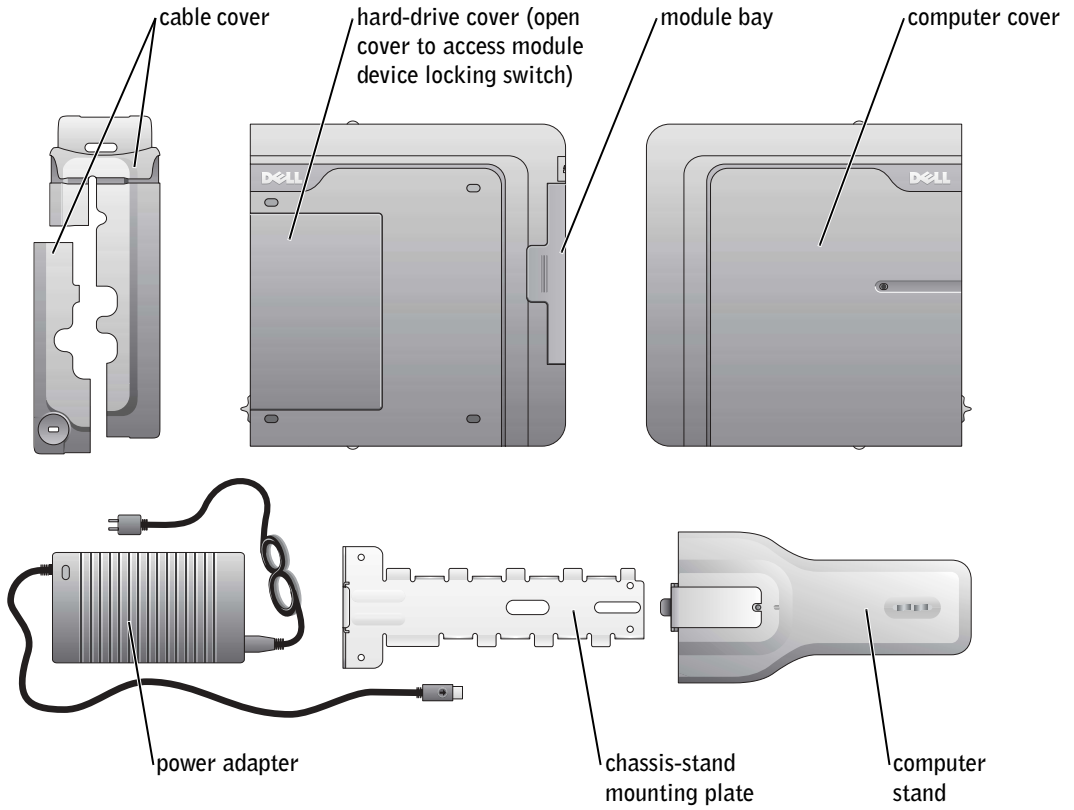
Regulatory Model Number and Chassis Type

DCT = Ultra small form-factor (USF) computer



Features





CAUTION: Safety Instructions

Use the following safety guidelines to help ensure your own personal safety and to help protect your computer and working environment from potential damage.

General

- Do not attempt to service the computer yourself unless you are a trained service technician. Always follow installation instructions closely.
- To help prevent electric shock, plug the computer and device power cables into properly grounded electrical outlets. These cables are equipped with 3-prong plugs to help ensure proper grounding. Do not use adapter plugs or remove the grounding prong from a cable. If you must use an extension cable, use a 3-wire cable with properly grounded plugs.



- To help avoid the potential hazard of electric shock, do not use your computer during an electrical storm.
- To help avoid the potential hazard of electric shock, do not connect or disconnect any cables or perform maintenance or reconfiguration of this product during an electrical storm.
- If your computer includes a modem, the cable used with the modem should be manufactured with a minimum wire size of 26 American wire gauge (AWG) and an FCC-compliant RJ-11 modular plug.
- Before you clean your computer, disconnect the computer from the electrical outlet. Clean your computer with a soft cloth dampened with water. Do not use liquid or aerosol cleaners, which may contain flammable substances.
- To help avoid possible damage to the system board, wait 5 seconds after turning off the computer before disconnecting a device from the computer.

CAUTION: Safety Instructions (*continued*)

- To avoid shorting out your computer when disconnecting a network cable, first unplug the cable from the network adapter on the back of your computer, and then from the network jack. When reconnecting a network cable to your computer, first plug the cable into the network jack, and then into the network adapter.
- To help protect your computer from sudden, transient increases and decreases in electrical power, use a surge suppressor, line conditioner, or uninterruptible power supply (UPS).
- Ensure that nothing rests on your computer's cables and that the cables are not located where they can be stepped on or tripped over.
- Do not push any objects into the openings of your computer. Doing so can cause fire or electric shock by shorting out interior components.
- Keep your computer away from radiators and heat sources. Also, do not block cooling vents. Avoid placing loose papers underneath your computer; do not place your computer in a closed-in wall unit or on a bed, sofa, or rug.
- Do not spill food or liquids on your computer. If the computer gets wet, consult your *User's Guide*.
- Do not use your computer during an electrical storm unless the AC adapter cable has been disconnected from the electrical outlet.
- When you use the AC adapter to run the computer, place the AC adapter in a ventilated area, such as a desk top or on the floor.
- The AC adapter may become hot during normal operation of your computer. Use care when handling the adapter during or immediately after operation.

When Using Your Computer

As you use your computer, observe the following safe-handling guidelines.

⚠ CAUTION: Do not operate your computer with any cover(s) (including computer covers, bezels, filler brackets, front-panel inserts, and so on) removed.

- Your computer is equipped with one of the following:
 - A fixed-voltage power supply — Computers with a fixed-voltage power supply do not have a voltage selection switch on the back panel and operate at only one voltage (see the regulatory label on the outside of the computer for its operating voltage).
 - An auto-sensing voltage circuit — Computers with an auto-sensing voltage circuit do not have a voltage selection switch on the back panel and automatically detect the correct operating voltage.
 - A manual voltage selection switch — Computers with a voltage selection switch on the back panel must be manually set to operate at the correct operating voltage.





- **➡ NOTICE:** To help avoid damaging a computer with a manual voltage selection switch, set the switch for the voltage that most closely matches the AC power available in your location. For Japan, the voltage selection switch must be set to the 115-V position even though the AC power available in Japan is 100 V. Also, ensure that your monitor and attached devices are electrically rated to operate with the AC power available in your location.
- Before working inside the computer, unplug the computer to help prevent electric shock or system board damage. Certain system board components continue to receive power any time the computer is connected to AC power.

When Using Your Computer *(continued)*

When Working Inside Your Computer

Before you open the computer cover, perform the following steps in the sequence indicated.

 **CAUTION:** Do not attempt to service the computer yourself, except as explained in your online Dell™ documentation or in instructions otherwise provided to you by Dell. Always follow installation and service instructions closely.

 **NOTICE:** To help avoid possible damage to the system board, wait 5 seconds after turning off the computer before removing a component from the system board or disconnecting a device from the computer.

- 1 Perform an orderly computer shutdown using the operating system menu.
- 2 Turn off your computer and any devices connected to the computer.
- 3 Ground yourself by touching an unpainted metal surface on the chassis, such as the metal around the card-slot openings at the back of the computer, before touching anything inside your computer.


While you work, periodically touch an unpainted metal surface on the computer chassis to dissipate any static electricity that might harm internal components.

- 4 Disconnect your computer and devices, including the monitor, from their electrical outlets. Also, disconnect any telephone or telecommunication lines from the computer.

Doing so reduces the potential for personal injury or shock.

In addition, take note of these safety guidelines when appropriate:

- When you disconnect a cable, pull on its connector or on its strain-relief loop, not on the cable itself. Some cables have a connector with locking tabs; if you are disconnecting this type of cable, press in on the locking tabs before disconnecting the cable. As you pull connectors apart, keep them evenly aligned to avoid bending any connector pins. Also, before you connect a cable, ensure that both connectors are correctly oriented and aligned.
- Handle components and cards with care. Do not touch the components or contacts on a card. Hold a card by its edges or by its metal mounting bracket. Hold a component such as a microprocessor chip by its edges, not by its pins.

 **CAUTION:** There is a danger of a new battery exploding if it is incorrectly installed. Replace the battery only with the same or equivalent type recommended by the manufacturer. Do not dispose of the battery along with household waste. Contact your local waste disposal agency for the address of the nearest battery deposit site.

When Using Your Computer (*continued*)

Protecting Against Electrostatic Discharge

Static electricity can harm delicate components inside your computer. To prevent static damage, discharge static electricity from your body before you touch any of your computer's electronic components, such as the microprocessor. You can do so by touching an unpainted metal surface on the computer chassis.

As you continue to work inside the computer, periodically touch an unpainted metal surface to remove any static charge your body may have accumulated.

You can also take the following steps to prevent damage from electrostatic discharge (ESD):

- Do not remove components from their antistatic packing material until you are ready to install the component in your computer. Just before unwrapping the antistatic packaging, discharge static electricity from your body.
- When transporting an electrostatic sensitive component, first place it in an antistatic container or packaging.
- Handle all electrostatic sensitive components in a static-safe area. If possible, use antistatic floor pads and workbench pads.

Ergonomic Computing Habits



CAUTION: Improper or prolonged keyboard use may result in injury.



CAUTION: Viewing the monitor screen for extended periods of time may result in eye strain.

For comfort and efficiency, observe the ergonomic guidelines in your *User's Guide* when setting up and using your computer.



Battery Disposal

Your computer uses a lithium coin-cell battery. The lithium coin-cell battery is a long-life battery, and it is very possible that you will never need to replace it. However, should you need to replace it, see your *User's Guide*.

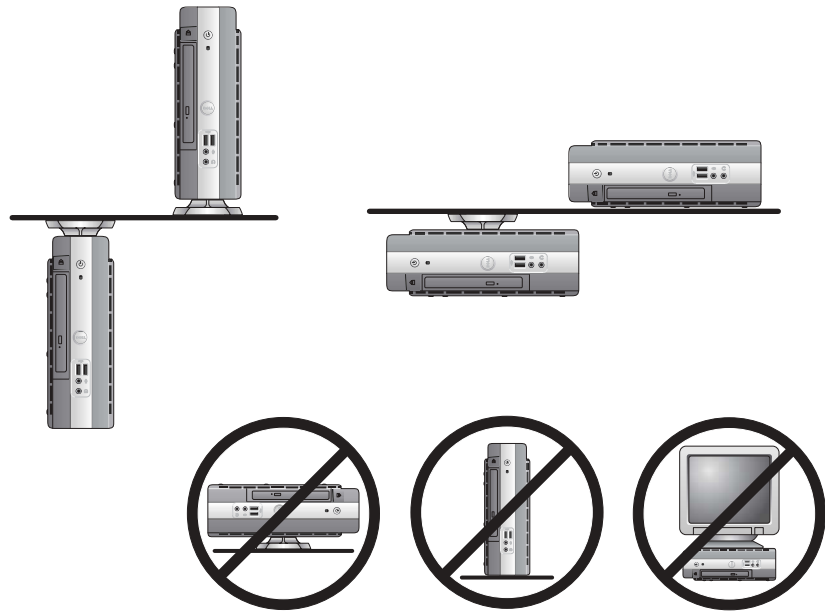
Do not dispose of the battery along with household waste. Contact your local waste disposal agency for the address of the nearest battery deposit site.

Getting Started/Setup

NOTICE: Do not turn on your computer until all setup steps are completed.

1 Determine the Computer's Placement and Orientation

NOTE: If you want to orient your computer vertically or horizontally under a desktop or tabletop, see "Attaching the Stand" on page 14 and "Attaching the Stand to the Mounting Plate" on page 19.



NOTICE: Do not place your monitor on the computer. Use a monitor stand.


NOTICE: In a high-vibration environment or when installing the computer overhead, use the optional wall-mount bracket instead of the chassis stand. To order this bracket, contact Dell.

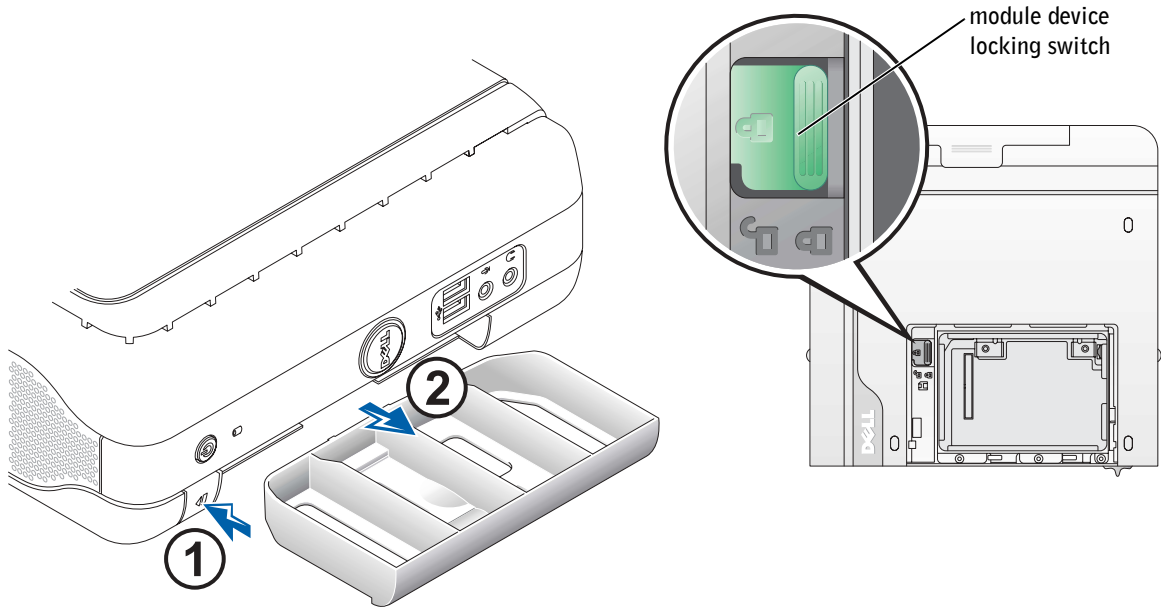
NOTICE: To ensure proper ventilation, do not place your computer vertically on a desktop without using the computer stand (see "Attaching the Stand").

NOTICE: To ensure proper ventilation, do not block the cooling vents.

2 Installing a Device in the Module Bay

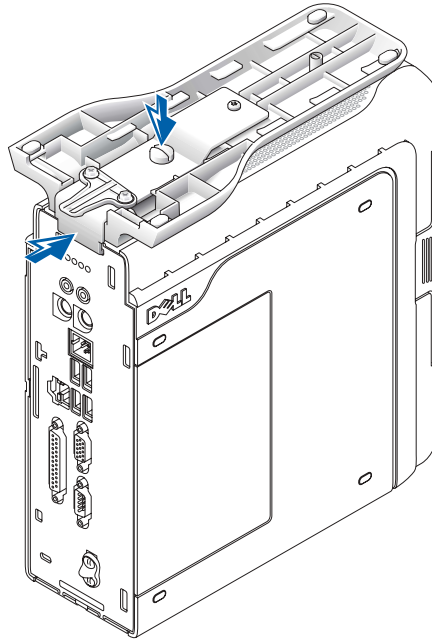
Your Dell computer ships with either a floppy drive or an airbay installed in the module bay. To install a CD, DVD, or second hard drive in the module bay, first remove the airbay and then install the device.

 **NOTE:** To locate the module device locking switch, remove the hard-drive cover.



NOTE: If you are installing the computer under a desktop or tabletop, first attach all cables, and then attach the stand to the mounting plate (see "Attaching the Stand to the Mounting Plate" on page 19).

3 Attaching the Stand



- 1 Raise the captive screw and slide the chassis stand slat into one of three mounting slots on the back of the computer.
- 2 When the stand is in place, tighten the screw.

NOTE: If your computer is oriented under a desktop or tabletop and is in a high-vibration environment, use the optional wall-mount bracket instead of the computer stand.

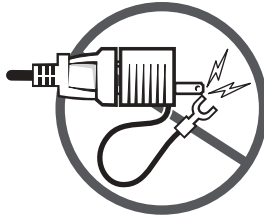
4 Connecting the AC Adapter

NOTE: The power adapter LED will light when the adapter is properly plugged into a wall outlet and into the computer.

- 1 Connect the power adapter to the connector on the back of the computer.
- 2 Connect the power cable to the power adapter.

NOTE: The following steps apply to Japan only.

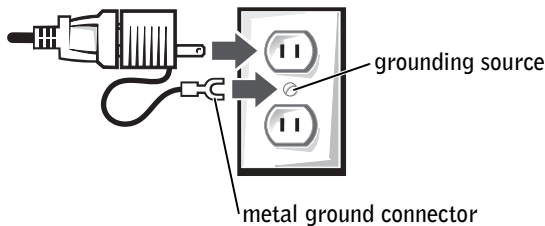
⚠ CAUTION: If you decide to connect the green ground wire to an electrical outlet, *do not permit* contact between the green ground wire and power leads because electrical shock, fire, or damage to your computer can occur (see the following figure).



If you decide *not* to connect the green ground wire to an electrical outlet, go to step 4.

3 Connect the metal ground connector to the grounding source on the outlet (see the following figure):

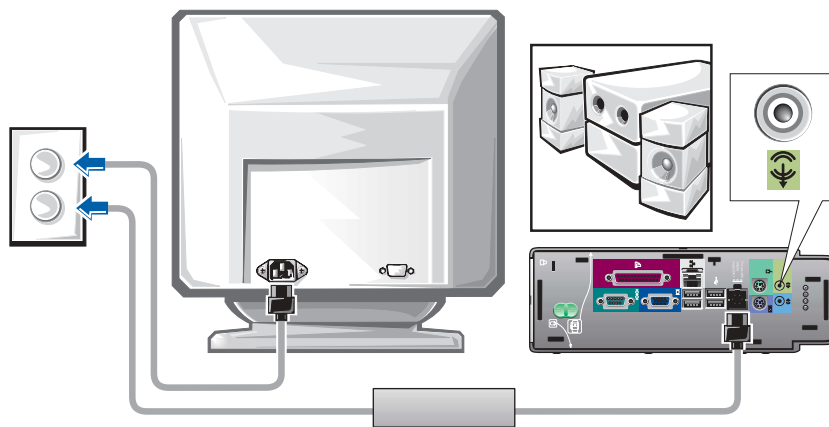
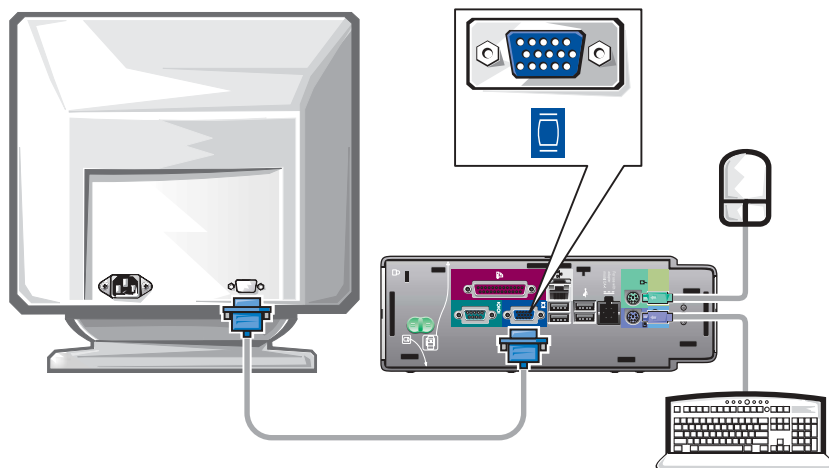
- a** Loosen the grounding source.
- b** Slide the metal ground connector behind the grounding source, and then tighten the grounding source.



4 Connect the AC power cable to the outlet.

5 Connecting External Devices

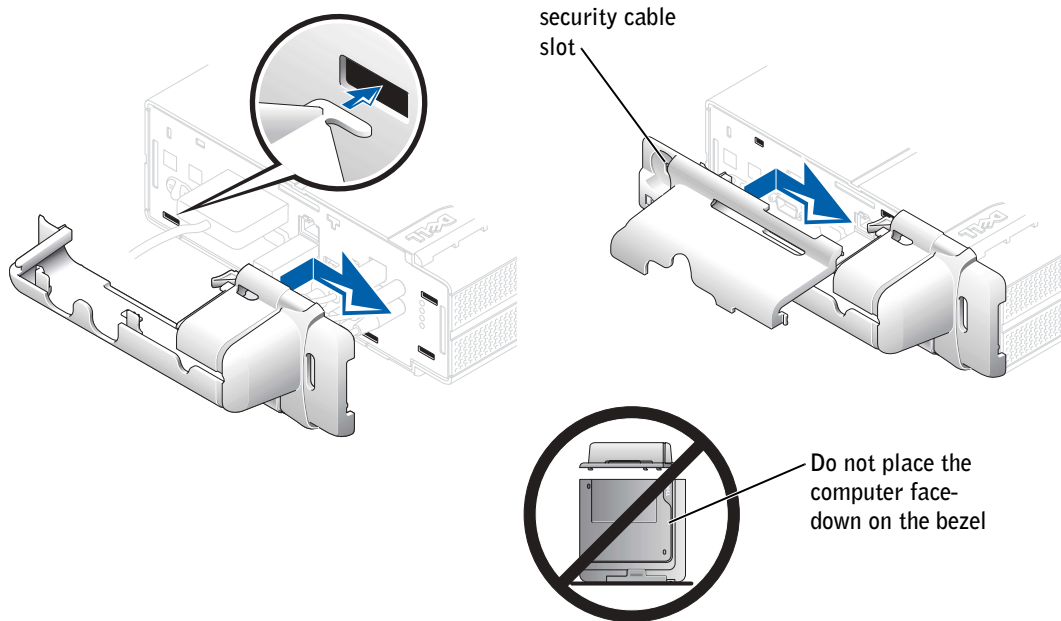
NOTE: Connect only one keyboard and one mouse.



CAUTION: To help prevent electric shock, use only the power adapter and power cable provided, and ensure that they are plugged into a properly grounded power source.

6 Attaching the Cable Cover

- ➡ **NOTICE:** If you are installing the computer under a desktop or tabletop, do not attach the cable cover until the computer is firmly attached to the mounting plate (see Step 7, "Attaching the Stand to the Mounting Plate" on page 19).
- ➡ **NOTICE:** If you use the stand on your computer, attach the stand before attaching the cable cover.



- ➡ **NOTICE:** When attaching the cable cover, do not place the computer face-down so that the surface comes in contact with a hard surface. Doing so may press the power button and may scratch the face of the computer.
- 1 Attach all of the cables to the back of the computer.
 - 2 Hold the bottom piece of the cable cover and align the four tabs with the four slots on the computer's back panel.
 - 3 Insert the tabs into the slots and slide the piece toward the diagnostic lights (see the illustration) until it is securely positioned.
 - 4 Grasp the top piece of the cable cover and align the two tabs with the two slots in the computer's back panel.

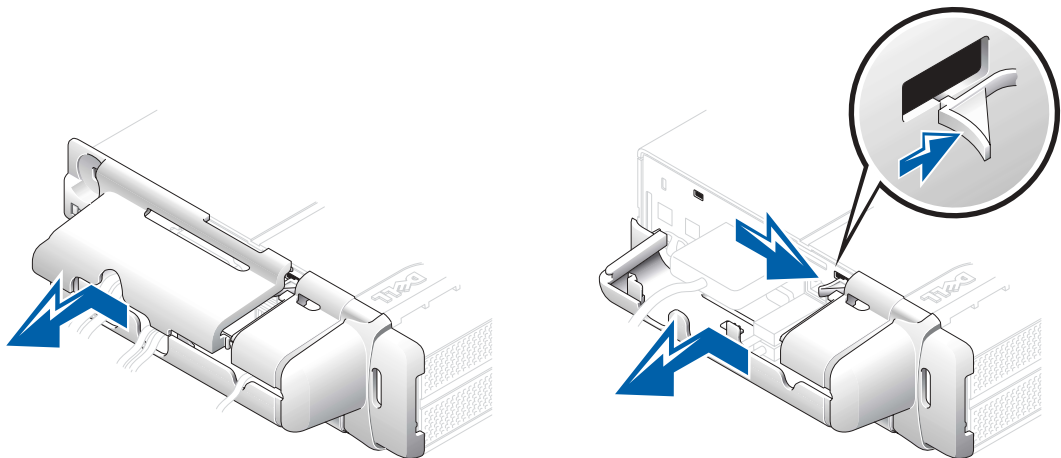
5 Insert the tabs into the slots and slide the piece toward the diagnostic lights (see the illustration).

6 Install a security device in the security cable slot (optional).

To remove the cable cover, remove the device installed in the security cable slot (optional).

1 Grasp the top piece of the cable cover and slide it to the left until it stops, and then lift it up and away.

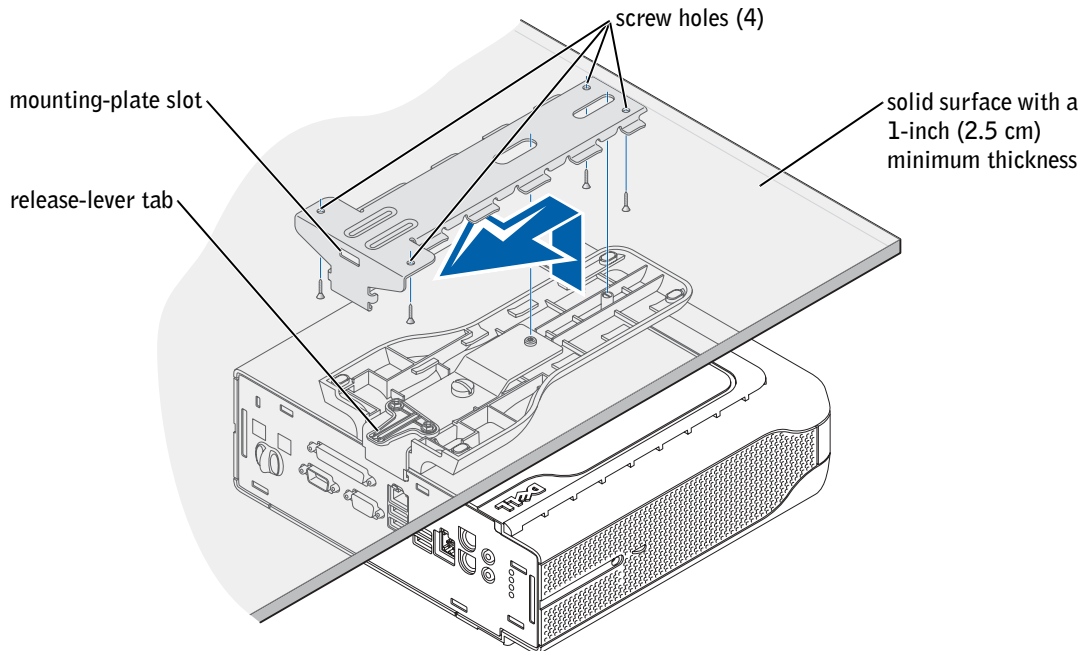
2 To remove the bottom piece of the cable cover, while pressing the lever, slide the piece to the left until it stops, and then lift it up and away.



7 Attaching the Stand to the Mounting Plate

NOTICE: When installing the computer in the hanging orientation, avoid locations where it will be bumped by a user's legs or chair.

CAUTION: Attach the mounting plate to a solid surface capable of supporting 40 lbs (18.1 kg) hanging weight.

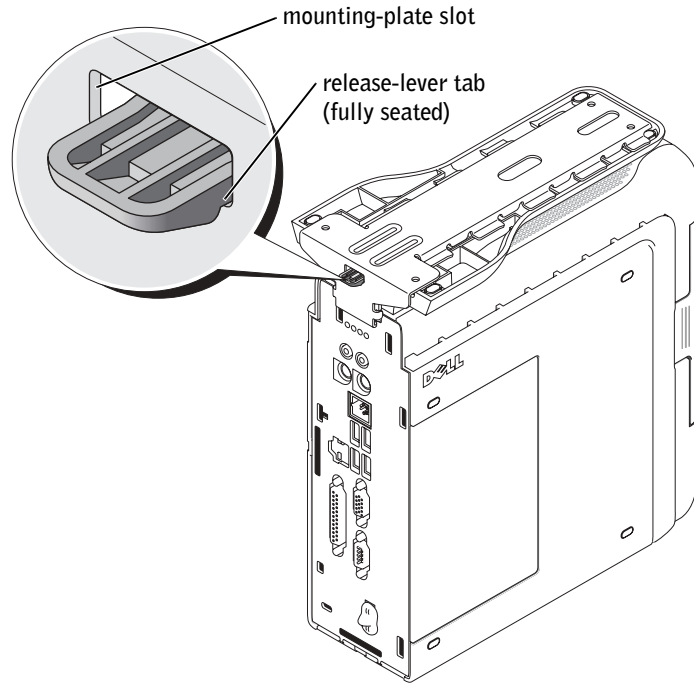


- 1 Using the four #6 wood screws (0.625 inch; 15.88 mm) provided, attach the mounting plate to a solid surface with a minimum thickness of 1 inch (2.5 cm).
- 2 Orient the computer and stand under the mounting plate approximately 1 inch (2.5 cm) from the edge of the mounting plate.

NOTICE: Make sure that you snap the release-lever tab securely into the mounting-plate slot.

NOTE: Before attaching the mounting plate to a surface, first orient yourself with how the stand will attach to the mounting plate.

- 3 Lift the computer and stand, insert the stand into the mounting bracket, and slide the stand until the release-lever tab is inserted through the slot in the mounting plate.



- 4 Attach the cable cover (if used).

NOTICE: When completing your computer setup, secure all cables toward the back of your work area to prevent the cables from being pulled, tangled, or stepped on.

- 8 Turn on the computer, read the software license agreement, and follow the operating system setup instructions on the screen.

-
- 9 Congratulations! You have completed your system setup.

Finding Information and Assistance

What Are You Looking For?

- A diagnostic program for my computer
- Drivers for my computer
- My computer documentation
- My device documentation

Find it Here

Drivers and Utilities CD (also known as the Resource CD)



You can use this CD to access documentation, reinstall drivers, or run diagnostics tools.

-
- Express Service Code and Service Tag Number
 - Microsoft® Windows® License Label

Express Service Code and Product Key

Located on your computer.



-
- How to remove and replace parts
 - Technical specifications
 - How to configure system settings
 - How to troubleshoot and solve problems

User's Guide



Depending on your operating system, double-click the **User's Guides** icon on your desktop or click the **Start** button and then click **Help and Support** to access the electronic documentation stored on your hard drive.

What Are You Looking For?**Find it Here**

- How to reinstall my operating system

Operating System CD and Installation Guide

If you reinstall your operating system, use the *Drivers and Utilities* CD to reinstall drivers for the devices that came with your computer.

-
- Latest drivers for my computer
 - Answers to technical service and support questions
 - Online discussions with other users and technical support
 - Documentation for my computer

Dell Support website

The Dell Support website provides several online tools, including:

- Knowledge Base — hints, tips, and online courses
- Customer Forum — online discussion with other Dell customers
- Upgrades — upgrade information for components, such as memory, the hard drive, and the operating system
- Customer Care — contact information, order status, warranty, and repair information
- Downloads — drivers, patches, and software updates
- Reference — computer documentation, product specifications, and white papers

-
- Service call status
 - Top technical issues for my computer
 - Frequently asked questions
 - File downloads
 - Details on my computer's configuration
 - Service contract for my computer

Dell Premier Support website

The Dell Premier Support website is customized for corporate, government, and education customers. This site may not be available in all regions.

-
- How to use Windows XP
 - Documentation for my computer and devices

Windows XP Help and Support Center

- 1 Click the **Start** button, and then click **Help and Support**.
 - 2 Type a word or phrase that describes your problem, and then click the arrow icon.
 - 3 Click the topic that describes your problem.
 - 4 Follow the instructions shown on the screen.
-

Solving Problems

Dell provides a number of tools to help you if your system does not perform as expected. For the latest troubleshooting information available for your system, see the Dell Support website at support.dell.com. You can also find descriptions of Dell troubleshooting tools in the section titled "Getting Help" in your online *User's Guide*.

If computer problems occur that require help from Dell, write a detailed description of the error, beep codes, or diagnostics light patterns; record your Express Service Code and Service Tag Number below; and then contact Dell from the same location as your computer.

See "Finding Information and Assistance" on page 21 for an example of the express service code and service tag numbers.

Express Service Code: _____

Service Tag Number: _____

Your computer includes the following tools that can help you solve a problem:

Dell Diagnostics — The Dell Diagnostics tests various components in your computer and helps to identify the cause of computer problems. For more information, see "Running the Dell Diagnostics" on page 24.


The following features can indicate a possible failure and help you troubleshoot a computer problem. See your *User's Guide* for more information —

System Lights — Located on the front of the computer

Diagnostic Lights — Located on the back of the computer

System Messages — Appear on your monitor screen

Beep Codes — A series of audible beeps emitted by your computer

 **NOTE:** To access device drivers and user documentation, you must use the *Drivers and Utilities* CD while you are running Windows.

Using the Dell *Drivers and Utilities* CD

To use the Dell *Drivers and Utilities* CD while you are running the Microsoft® Windows® operating system, perform the following steps:

- 1 Turn on the computer and allow it to boot to the Windows desktop.
- 2 Insert the Dell *Drivers and Utilities* CD into the CD drive.

If you are using the *Drivers and Utilities* CD for the first time on this computer, the installation window opens to inform you that the CD is about to begin installation.

- 3 Click **OK** to continue.

To complete the installation, respond to the prompts offered by the installation program.

- 4 Click **Next** at the **Welcome Dell System Owner** screen.
- 5 Choose the appropriate **System Model, Operating System, Device Type, and Topic**.

Drivers for Your Computer

To display a list of device drivers for your computer, perform the following steps:

- 1 Click **My Drivers** in the **Topic** pull-down menu.

The *Drivers and Utilities* CD scans your computer's hardware and operating system, and then a list of device drivers for your system configuration is displayed on the screen.


- 2 Click the appropriate driver and follow the instructions to download the driver to your computer.

To view all available drivers for your computer, click **Drivers** from the **Topic** pull-down menu.


Running the Dell Diagnostics

The Dell Diagnostics is a program that tests various components in your computer. Run this program whenever you have a computer problem to help you identify the source of the problem. You can run the Dell Diagnostics from your hard drive or the *Drivers and Utilities* CD.

From the Hard Drive:


 **NOTICE:** If your hard drive fails, run the Dell IDE Hard-Drive Diagnostics (see "Running the Dell IDE Hard-Drive Diagnostics" on page 26).

- 1 Shut down and restart the computer.
- 2 When the DELL™ logo appears, press <F12> immediately.
If you wait too long and the Windows logo appears, continue to wait until you see the Windows desktop. Then shut down your computer through the **Start** menu and try again.
- 3 When the boot device list appears, highlight **Boot to Utility Partition** and press <Enter>.
- 4 When the Dell Diagnostics Main Menu appears, select the test you want to run.
- 5 Close the test screen to return to the **Main Menu** screen. To exit the Dell Diagnostics and restart the computer, close the **Main Menu** screen.

 **NOTE:** If you receive a message stating that no Diagnostics utility partition has been found, follow the instructions to run the Dell Diagnostics from your *Drivers and Utilities* CD.

From the *Drivers and Utilities* CD:

- 1 Insert the *Drivers and Utilities* CD into the CD drive.
- 2 Shut down and restart the computer.
When the DELL logo appears, press <F12> immediately.
If you wait too long and the Windows logo appears, continue to wait until you see the Windows desktop. Then shut down your computer through the **Start** menu and try again.
- 3 When the boot device list appears, highlight **IDE CD-ROM Device** and press <Enter>.
- 4 Select the **IDE CD-ROM Device** option from the CD boot menu.
- 5 Select the **Boot from CD-ROM** option from the menu that appears.
- 6 Type 1 to start the **ResourceCD** menu.
- 7 Type 2 to start the Dell Diagnostics.
- 8 Select **Run the 32 Bit Dell Diagnostics** from the numbered list. If multiple versions are listed, select the version appropriate for your platform.

 **NOTE:** This feature changes the boot sequence for one time only. On the next start-up, the computer boots according to the devices specified in system setup.

- 9 When the Dell Diagnostics Main Menu appears, select the test you want to run.
- 10 When the tests are completed, remove the CD.

Running the Dell IDE Hard-Drive Diagnostics

The Dell IDE Hard-Drive Diagnostics is a utility that tests the hard drive to troubleshoot or confirm a hard-drive failure.

- 1 Turn on your computer (if your computer is already on, restart it).
- 2 When **F2 = Setup** appears in the upper-right corner of the screen, press **<Ctrl><Alt><D>**.
- 3 Follow the instructions on the screen.

If a failure is reported, see "Hard Drive Problems" in your *User's Guide*.

Regulatory Information

Electromagnetic Interference (EMI) is any signal or emission, radiated in free space or conducted along power or signal leads, that endangers the functioning of a radio navigation or other safety service or seriously degrades, obstructs, or repeatedly interrupts a licensed radio communications service.

Your Dell computer system is designed to comply with applicable regulations regarding EMI. Changes or modifications not expressly approved by Dell could void the user's authority to operate the equipment.

Dell computer systems are designed, tested, and classified for their intended electromagnetic environment. These electromagnetic environment classifications fall into two groups:



NOTE: Inspect the regulatory label affixed to the back or bottom of your Dell system to determine the environments in which your system may be operated.

- Class A designates a device which may be operated in business or industrial environments only.
- Class B designates a device which may be operated in residential settings as well as business or industrial environments.

Class A

Class A equipment has been tested and found to comply with the limits for a Class A digital device, pursuant to part 15 of the Federal Communications Commission (FCC) Rules. These limits are designed to provide reasonable protection against harmful interference in a commercial environment. This equipment generates, uses, and can radiate radio frequency energy and, if not installed and used in accordance with the instructions, may cause harmful interference to radio communications. Operation of this equipment in a residential area is likely to cause harmful interference, in which case the user will be required to correct the interference at his/her own expense.

Class B

Class B equipment has been tested and found to comply with the limits for a Class B digital device, pursuant to part 15 of the FCC Rules. These limits are designed to provide reasonable protection against harmful interference in a residential installation. This equipment generates, uses, and can radiate radio frequency energy and, if not installed and used in accordance with the instructions, may cause harmful interference to radio communications.

However, there is no guarantee that interference will not occur in a particular installation. If this equipment does cause harmful interference to radio or television reception, which can be determined by turning the equipment off and on, the user is encouraged to try to correct the interference by one or more of the following measures:

- Reorient or relocate the receiving antenna
- Increase the separation between the equipment and receiver
- Connect the equipment into an outlet on a circuit different from that to which the receiver is connected
- Consult Dell or an experienced radio/TV technician for help



NOTE: Additional regulatory information regarding your system can be found in your *User's Guide*.

Limited Warranties and Return Policy

Dell-branded hardware products purchased in the U.S. or Canada come with either a 90-day (U.S. only), one-year, two-year, three-year, or four-year limited warranty. To determine which warranty you purchased, see the Dell invoice that accompanied your computer. The following sections describe the limited warranties and return policy for the U.S., the limited warranties and return policy for Canada, and the manufacturer guarantee for Latin America and the Caribbean.

Limited Warranty for the U.S.

What is covered by this limited warranty?

This limited warranty covers defects in materials and workmanship in your—our end-user customer's—Dell-branded hardware products, including Dell-branded monitors, keyboards, and pointing devices (mice).

What is not covered by this limited warranty?

This limited warranty does not cover:

- Software, including the operating system and software added to the Dell-branded hardware products through our factory-integration system, third-party software, or the reloading of software
- Non-Dell-branded products and accessories
- Problems that result from:
 - External causes such as accident, abuse, misuse, or problems with electrical power
 - Servicing not authorized by us
 - Usage that is not in accordance with product instructions
 - Failure to follow the product instructions or failure to perform preventive maintenance
 - Problems caused by using accessories, parts, or components not supplied by us
- Products with missing or altered service tags or serial numbers
- Products for which we have not received payment

THIS WARRANTY GIVES YOU SPECIFIC LEGAL RIGHTS, AND YOU MAY ALSO HAVE OTHER RIGHTS WHICH VARY FROM STATE TO STATE (OR JURISDICTION TO JURISDICTION). DELL'S RESPONSIBILITY FOR MALFUNCTIONS AND DEFECTS IN HARDWARE IS LIMITED TO REPAIR AND REPLACEMENT AS SET FORTH IN THIS WARRANTY STATEMENT. ALL EXPRESS AND IMPLIED WARRANTIES FOR THE PRODUCT, INCLUDING BUT NOT LIMITED TO ANY IMPLIED WARRANTIES AND CONDITIONS OF MERCHANTABILITY AND FITNESS FOR A PARTICULAR PURPOSE, ARE LIMITED IN TIME TO THE TERM OF THE LIMITED WARRANTY PERIOD REFLECTED ON YOUR INVOICE. NO WARRANTIES, WHETHER EXPRESS OR IMPLIED, WILL APPLY AFTER THE LIMITED WARRANTY PERIOD HAS EXPIRED. SOME STATES DO NOT ALLOW LIMITATIONS ON HOW LONG AN IMPLIED WARRANTY LASTS, SO THIS LIMITATION MAY NOT APPLY TO YOU.

WE DO NOT ACCEPT LIABILITY BEYOND THE REMEDIES PROVIDED FOR IN THIS LIMITED WARRANTY OR FOR CONSEQUENTIAL OR INCIDENTAL DAMAGES, INCLUDING, WITHOUT LIMITATION, ANY LIABILITY FOR THIRD PARTY CLAIMS AGAINST YOU FOR DAMAGES, FOR PRODUCTS NOT BEING AVAILABLE FOR USE, OR FOR LOST DATA OR LOST SOFTWARE. OUR LIABILITY WILL BE NO MORE THAN THE AMOUNT YOU PAID FOR THE PRODUCT THAT IS THE SUBJECT OF A CLAIM. THIS IS THE MAXIMUM AMOUNT FOR WHICH WE ARE RESPONSIBLE.

SOME STATES DO NOT ALLOW THE EXCLUSION OR LIMITATION OF INCIDENTAL OR CONSEQUENTIAL DAMAGES, SO THE ABOVE LIMITATION OR EXCLUSION MAY NOT APPLY TO YOU.

How long does this limited warranty last?

This limited warranty lasts for the time period indicated on your invoice, except that the limited warranty on Dell-branded batteries lasts only one year and the limited warranty on the lamps for Dell-branded projectors lasts only ninety days. The limited warranty begins on the date of the invoice. The warranty period is not extended if we repair or replace a warranted product or any parts. Dell may change the availability of limited warranties, at its discretion, but any changes will not be retroactive.

What do I do if I need warranty service?

Before the warranty expires, please call us at the relevant number listed in the following table. Please also have your Dell service tag number or order number available.

Individual Home Consumers:	US. Only
Technical Support	1-800-624-9896
Customer Service	1-800-624-9897
Individual Home Consumers who purchased through an Employee Purchase Program:	
Technical Support and Customer Service	1-800-822-8965
Home and Small Business Commercial Customers:	
Technical Support and Customer Service	1-800-456-3355
Medium, Large, or Global Commercial Customers, Healthcare Customers, and Value Added Resellers (VARs):	
Technical Support and Customer Service	1-800-822-8965
Government and Education Customers:	
Technical Support and Customer Service	1-800-234-1490
Dell-Branded Memory	1-888-363-5150

What will Dell do?

During the first 90 days of the 90-day limited warranty and the first year of all other limited warranties: For the first 90 days of the 90-day limited warranty and the first year of all other limited warranties, we will repair any Dell-branded hardware products returned to us that prove to be defective in materials or workmanship. If we are not able to repair the product, we will replace it with a comparable product that is new or refurbished.

When you contact us, we will issue a Return Material Authorization Number for you to include with your return. You must return the products to us in their original or equivalent packaging, prepay shipping charges, and insure the shipment or accept the risk if the product is lost or damaged in shipment. We will return the repaired or replacement products to you. We will pay to ship the repaired or replaced products to you if you use an address in the United States (excluding Puerto Rico and U.S. possessions and territories). Otherwise, we will ship the product to you freight collect.

If we determine that the product is not covered under this warranty, we will notify you and inform you of service alternatives that are available to you on a fee basis.

NOTE: Before you ship the product(s) to us, make sure to back up the data on the hard drive(s) and any other storage device(s) in the product(s). Remove any confidential, proprietary, or personal information and removable media such as floppy disks, CDs, or PC Cards. We are not responsible for any of your confidential, proprietary, or personal information; lost or corrupted data; or damaged or lost removable media.

During the remaining years: For the remaining period of the limited warranty, we will replace any defective part with new or refurbished parts, if we agree that it needs to be replaced. When you contact us, we will require a valid credit card number at the time you request a replacement part, but we will not charge you for the replacement part as long as you return the original part to us within thirty days after we ship the replacement part to you. If we do not receive the original part within thirty days, we will charge to your credit card the then-current standard price for that part.

We will pay to ship the part to you if you use an address in the United States (excluding Puerto Rico and U.S. possessions and territories). Otherwise, we will ship the part freight collect. We will also include a prepaid shipping container with each replacement part for your use in returning the replaced part to us.

NOTE: Before you replace parts, make sure to back up the data on the hard drive(s) and any other storage device(s) in the product(s). We are not responsible for lost or corrupted data.

What if I purchased a service contract?

If your on-site service contract is with Dell, on-site service will be provided to you under the terms of the on-site service agreement. Please refer to that contract for details on how to obtain service.

If you purchased through us a service contract with one of our third-party service providers, please refer to that contract for details on how to obtain service.

How will you fix my product?

We use new and refurbished parts made by various manufacturers in performing warranty repairs and in building replacement parts and systems. Refurbished parts and systems are parts or systems that have been returned to Dell, some of which were never used by a customer. All parts and systems are inspected and tested for quality. Replacement parts and systems are covered for the remaining period of the limited warranty for the product you bought.

What do I do if I am not satisfied?

We pride ourselves on our great customer service. If you are not satisfied with the service you receive under this limited warranty, please let us know. We have found that the best way to resolve issues regarding our limited warranty is to work together. If, after those discussions, you are still not satisfied, we believe arbitration is the most expeditious way to resolve your concerns. Therefore, **ANY CLAIM, DISPUTE, OR CONTROVERSY (WHETHER IN CONTRACT, TORT, OR OTHERWISE, WHETHER PREEXISTING, PRESENT, OR FUTURE, AND INCLUDING STATUTORY, COMMON LAW, INTENTIONAL TORT, AND EQUITABLE CLAIMS) AGAINST DELL** arising from or relating to this limited warranty, its interpretation, or the breach, termination, or validity thereof, the relationships which result from this limited warranty (including, to the full extent permitted by applicable law, relationships with third parties), Dell's advertising, or any related purchase **SHALL BE RESOLVED EXCLUSIVELY AND FINALLY BY BINDING ARBITRATION ADMINISTERED BY THE NATIONAL ARBITRATION FORUM (NAF)** under its Code of Procedure then in effect (available via the Internet at www.arb-forum.com/ or via telephone at 1-800-474-2371). The arbitration will be limited solely to the dispute or controversy between you and Dell. Any award of the arbitrator(s) shall be final and binding on each of the parties, and may be entered as a judgment in any court of competent jurisdiction. Information may be obtained and claims may be filed with the NAF at P.O. Box 50191, Minneapolis, MN 55405. This provision applies only to individual home consumers and consumers who purchased through an employee purchase program. It does not apply to small, medium, large, and global commercial customers or government, education, and healthcare customers.

May I transfer the limited warranty?

Limited warranties on systems may be transferred if the current owner transfers ownership of the system and records the transfer with us. The limited warranty on Dell-branded memory may not be transferred. You may record your transfer by going to Dell's website:

- If you are an Individual Home Consumer, go to www.dell.com/us/en/dhs/topics/sbtopic_015_ccare.htm
- If you are a Small, Medium, Large, or Global Commercial Customer, go to www.dell.com/us/en/biz/topics/sbtopic_ccare_nav_015_ccare.htm
- If you are a Government, Education, or Healthcare Customer, or an Individual Consumer who purchased through an employee purchase program, go to www.dell.com/us/en/pub/topics/sbtopic_015_ccare.htm

If you do not have Internet access, please call your customer care representative or call 1-800-624-9897.

"Total Satisfaction" Return Policy (U.S. Only)

We value our relationship with you and want to make sure that you're satisfied with your purchases. That's why we offer a "Total Satisfaction" return policy for most products that you—the end-user customer—purchase directly from Dell. Under this policy, you may return to Dell products that you purchased directly from Dell for a credit or a refund of the purchase price paid, less shipping and handling and applicable restocking fees as follows:

- **New Hardware Products and Accessories** — All new hardware, accessories, parts, and unopened software still in its sealed package, excluding the products listed below, may be returned within thirty days from the invoice date. To return applications software or an operating system that has been installed by Dell, you must return the entire computer. A different return policy applies to nondefective products purchased through Dell's Software and Peripherals division by customers of our Small and Medium Business divisions. Those products may be returned within thirty days from the invoice date, but a fifteen percent (15%) restocking fee will be deducted from any refund or credit. The "Total Satisfaction" Return Policy and Software and Peripherals division return policy are not available for Dell | EMC storage products, EMC-branded products, or enterprise software.

- **Reconditioned or Refurbished Dell-Branded Hardware Products and Parts** — All reconditioned or refurbished Dell-branded server and storage products may be returned within thirty days from the invoice date. All other reconditioned or refurbished Dell-branded hardware products and parts may be returned within fourteen days of the invoice date.

To return products, e-mail or call Dell customer service to receive a Credit Return Authorization Number within the return policy period applicable to the product you want to return. You must obtain a Credit Return Authorization Number in order to return the product. See "Getting Help" in your customer documentation (or www.dell.com/us/en/gen/contact.htm) to find the appropriate contact information for obtaining customer assistance.

You must ship the products to Dell within five days of the date that Dell issues the Credit Return Authorization Number. You must also return the products to Dell in their original packaging, in as-new condition along with any media, documentation, and all other items that were included in the original shipment, prepaid shipping charges, and insure the shipment or accept the risk of loss or damage during shipment.

Limited Warranty Terms for Canada

What is covered by this limited warranty?

This limited warranty covers defects in materials and workmanship in your—our end-user customer's—Dell-branded hardware products, including Dell-branded monitors, keyboards, and pointing devices (mice).

What is not covered by this limited warranty?

This limited warranty does not cover:

- Software, including the operating system and software added to the Dell-branded hardware products through our factory-integration system, or the reloading of the software
- Non-Dell branded products and accessories
- Problems that result from:
 - External causes such as accident, abuse, misuse, or problems with electrical power
 - Servicing not authorized by us
 - Usage that is not in accordance with product instructions
 - Failure to follow the product instructions or failure to perform preventive maintenance
 - Problems caused by using accessories, parts, or components not supplied by us
- Products with missing or altered service tags or serial numbers
- Products for which we have not received payment

THIS WARRANTY GIVES YOU SPECIFIC LEGAL RIGHTS, AND YOU MAY ALSO HAVE OTHER RIGHTS WHICH VARY FROM PROVINCE TO PROVINCE. DELL'S RESPONSIBILITY FOR MALFUNCTIONS AND DEFECTS IN PRODUCT IS LIMITED TO REPAIR AND REPLACEMENT AS SET FORTH IN THIS WARRANTY STATEMENT, FOR THE TERM OF THE WARRANTY PERIOD REFLECTED ON YOUR INVOICE. EXCEPT FOR THE EXPRESS WARRANTIES CONTAINED IN THIS WARRANTY STATEMENT, DELL DISCLAIMS ALL OTHER WARRANTIES AND CONDITIONS, EXPRESS OR IMPLIED, INCLUDING WITHOUT LIMITATION IMPLIED WARRANTIES AND CONDITIONS OF MERCHANTABILITY AND FITNESS FOR A PARTICULAR PURPOSE, STATUTORY OR OTHERWISE. SOME PROVINCES DO NOT ALLOW THE EXCLUSION OF CERTAIN IMPLIED WARRANTIES OR CONDITIONS, OR LIMITATIONS ON HOW LONG AN IMPLIED WARRANTY OR CONDITION LASTS. THEREFORE, THE FOREGOING EXCLUSIONS AND LIMITATIONS MAY NOT APPLY TO YOU.

WE DO NOT ACCEPT LIABILITY BEYOND THE REMEDIES PROVIDED FOR IN THIS WARRANTY STATEMENT OR FOR SPECIAL, INDIRECT, CONSEQUENTIAL, OR INCIDENTAL DAMAGES, INCLUDING, WITHOUT LIMITATION, ANY LIABILITY FOR THIRD PARTY CLAIMS AGAINST YOU FOR DAMAGES, FOR PRODUCTS NOT BEING AVAILABLE FOR USE, OR FOR LOST DATA OR LOST SOFTWARE. OUR LIABILITY WILL BE NO MORE THAN THE AMOUNT YOU PAID FOR THE PRODUCT THAT IS THE SUBJECT OF A CLAIM. THIS IS THE MAXIMUM AMOUNT FOR WHICH WE ARE RESPONSIBLE.

SOME PROVINCES DO NOT ALLOW THE EXCLUSION OR LIMITATION OF SPECIAL, INDIRECT, INCIDENTAL, OR CONSEQUENTIAL DAMAGES, SO THE ABOVE LIMITATION OR EXCLUSION MAY NOT APPLY TO YOU.

How long does this limited warranty last?

This limited warranty lasts for the time period indicated on your invoice, except that the limited warranty on Dell-branded batteries lasts only one year and the limited warranty on the lamps for Dell-branded projectors lasts only ninety days. The limited warranty begins on the date of the invoice. The warranty period is not extended if we repair or replace a warranted product or any parts. Dell may change the terms and availability of limited warranties, at its discretion, but any changes will not be retroactive (that is, the warranty terms in place at the time of purchase will apply to your purchase).

What do I do if I need warranty service?

Before the warranty expires, please call us at the relevant number listed in the following table. Please also have your Dell service tag number or order number available.

Individual Home Consumers; Home Office and Small Business Customers:	Canada Only
Technical Support and Customer Service	1-800-847-4096
Medium, Large, and Global Commercial Customers; Government, Education, and Healthcare Customers; and Value Added Resellers (VARs):	
Technical Support	1-800-387-5757
Customer Service	1-800-326-9463
Government or Education Customers, or Individual Home Consumers who purchased through an Employee Purchase Program:	
Technical Support	1-800-387-5757
Customer Service	1-800-326-9463 (Extension 8221 for Individual Consumers)
Dell-Branded Memory	1-888-363-5150

What will Dell do?

During the first year of all limited warranties: During the first year of all limited warranties, we will repair any Dell-branded hardware products returned to us that prove to be defective in materials or workmanship. If we are not able to repair the product, we will replace it with a comparable product that is new or refurbished.

When you contact us, we will issue a Return Material Authorization Number for you to include with your return. You must return the products to us in their original or equivalent packaging, prepay shipping charges, and insure the shipment or accept the risk if the product is lost or damaged in shipment. We will return the repaired or replacement products to you. We will pay to ship the repaired or replaced products to you if you use an address in Canada. Otherwise, we will ship the product to you freight collect.

If we determine that the problem is not covered under this warranty, we will notify you and inform you of service alternatives that are available to you on a fee basis.

NOTE: Before you ship the product(s) to us, make sure to back up the data on the hard drive(s) and any other storage device(s) in the product(s). Remove any confidential, proprietary or personal information, removable media, such as floppy disks, CDs, or PC Cards. We are not responsible for any of your confidential, proprietary or personal information; lost or corrupted data; or damaged or lost removable media.

During the remaining years following the first year of all limited warranties: We will replace any defective part with new or refurbished parts, if we agree that it needs to be replaced. When you contact us, we will require a valid credit card number at the time you request a replacement part, but we will not charge you for the replacement part as long as you return the original part to us within thirty days after we ship the replacement part to you. If we do not receive the original part within thirty days, we will charge to your credit card the then-current standard price for that part.

We will pay to ship the part to you if you use an address in Canada. Otherwise, we will ship the part freight collect. We will also include a prepaid shipping container with each replacement part for your use in returning the replaced part to us.

NOTE: Before you replace parts, make sure to back up the data on the hard drive(s) and any other storage device(s) in the product(s). We are not responsible for lost or corrupted data.

What if I purchased an on-site service contract?

If your service contract is with Dell, service will be provided to you under the terms of the service contract. Please refer to that contract for details on how to obtain service. Dell's service contracts can be found online at www.dell.ca or by calling Customer Care at 1-800-847-4096. If you purchased through us a service contract with one of our third-party service providers, please refer to that contract (mailed to you with your invoice) for details on how to obtain service.

How will you fix my product?

We use new and refurbished parts made by various manufacturers in performing warranty repairs and in building replacement parts and systems. Refurbished parts and systems are parts or systems that have been returned to Dell, some of which were never used by a customer. All parts and systems are inspected and tested for quality. Replacement parts and systems are covered for the remaining period of the limited warranty for the product you bought. Dell owns all parts removed from repaired products.

What do I do if I am not satisfied?

We pride ourselves on our great customer service. If you are not satisfied with the service you receive under this limited warranty, please let us know. We have found that the best way to resolve issues regarding our limited warranty is to work together. If, after those discussions, you are still not satisfied, we believe arbitration is the most expeditious way to resolve your concerns. Therefore, **ANY CLAIM, DISPUTE, OR CONTROVERSY (WHETHER IN CONTRACT, TORT, OR OTHERWISE, WHETHER PREEXISTING, PRESENT OR FUTURE, AND INCLUDING STATUTORY, COMMON LAW, INTENTIONAL TORT, AND EQUITABLE CLAIMS) AGAINST DELL** arising from or relating to this limited warranty, its interpretation, or the breach, termination or validity thereof, the relationships which result from this limited warranty (including, to the full extent permitted by applicable law, relationships with third parties), Dell's advertising, or any related purchase **SHALL BE RESOLVED EXCLUSIVELY AND FINALLY BY BINDING ARBITRATION ADMINISTERED BY THE NATIONAL ARBITRATION FORUM (NAF)** under its Code of Procedure then in effect (available via the Internet at www.arb-forum.com/, or via telephone at 1-800-474-2371). The arbitration will be limited solely to the dispute or controversy between you and Dell. Any award of the arbitrator(s) shall be final and binding on each of the parties, and may be entered as a judgment in any court of competent jurisdiction. Information may be obtained and claims may be filed with the NAF at P.O. Box 50191, Minneapolis, MN 55405.

May I transfer the limited warranty?

Limited warranties on systems may be transferred if the current owner transfers ownership of the system and records the transfer with us. The limited warranty on Dell-branded memory may not be transferred. You may record your transfer by going to our website:

- If you are an Individual Home Consumer, go to www.dell.com/us/en/dhs/topics/sbtopic_016_ccare.htm
- If you are a Home Office, Small, Medium, Large, or Global Commercial Customer, go to www.dell.com/us/en/biz/topics/sbtopic_ccare_nav_016_ccare.htm
- If you are a Government, Education, or Healthcare Customer, or an Individual Home Consumer who purchased through an Employee Purchase Program, go to www.dell.com/us/en/pub/topics/sbtopic_016_ccare.htm

If you do not have Internet access, please call Dell at 1-800-326-9463.

"Total Satisfaction" Return Policy

If you are an end-user customer who bought new products directly from Dell, you may return them to Dell up to 30 days after you receive them for a refund or credit of the product purchase price. If you are an end-user customer who bought reconditioned or refurbished products from Dell, you may return them to Dell within 14 days after the date of invoice for a refund or credit of the product purchase price. In either case, the refund or credit will not include any shipping and handling charges shown on your invoice and will be subject to a fifteen percent (15%) restocking fee, unless otherwise prohibited by law. If you are an organization that bought the products under a written agreement with Dell, the agreement may contain different terms for the return of products than specified by this policy.

To return products, you must call Dell Customer Service at 1-800-387-5759 to receive a Credit Return Authorization Number. To expedite the process of your refund or credit, Dell expects you to return the products to Dell in their original packaging within five days of the date that Dell issues the Credit Return Authorization Number. You must also prepay shipping charges and insure the shipment or accept the risk of loss or damage during shipment. You may return software for a refund or credit only if the sealed package containing the floppy disk(s) or CD(s) is unopened. Returned products must be in as-new condition, and all of the manuals, floppy disk(s), CD(s), power cables, and other items included with a product must be returned with it. For customers who want to return, for refund or credit only, either application or operating system software that has been installed by Dell, the whole system must be returned, along with any media and documentation that may have been included in the original shipment.

The "Total Satisfaction" Return Policy does not apply to Dell | EMC storage products. It also does not apply to products purchased through Dell's Software and Peripherals division. For those products, please instead refer to Dell's Software and Peripheral's then-current return policy (see the following section, "Dell Software and Peripherals").

Dell Software and Peripherals

Third-Party Software and Peripherals Products

Similar to other resellers of software and peripherals, Dell does not warrant third-party products. Third-party software and peripheral products are covered by the warranties provided by the original manufacturer or publisher only. Third party manufacturer warranties vary from product to product. Consult your product documentation for specific warranty information. More information may also be available from the manufacturer or publisher.

While Dell offers a wide selection of software and peripheral products, we do not specifically test or guarantee that all of the products we offer work with any or all of the various models of Dell computers, nor do we test or guarantee all of the products we sell on the hundreds of different brands of computers available today. If you have questions about compatibility, we recommend and encourage you to contact the third-party software and peripheral product manufacturer or publisher directly.

Dell-Branded Peripheral Products

Dell does provide a limited warranty for new Dell-branded peripheral products (products for which Dell is listed as the manufacturer) such as monitors, batteries, memory, docking stations, and projectors). To determine which limited warranty applies to the product you purchased, see the Dell invoice and/or the product documentation that accompanied your product. Descriptions of Dell's limited warranties are described in preceding sections.

Return Policy

If you are an end-user customer who bought Dell Software and Peripherals products directly from a Dell company, you may return Dell Software and Peripherals products that are in as-new condition to Dell up to 30 days from the date of invoice for a refund of the product purchase price if already paid. This refund will not include any shipping and handling charges shown on your invoice; you are responsible for those.

To return products, you must call Dell Customer Service at 1-800-387-5759 to receive a Credit Return Authorization Number. You must ship the Dell Software and Peripherals products back to Dell in their original manufacturer's packaging (which must be in as-new condition), prepay shipping charges, and insure the shipment or accept the risk of loss or damage during shipment.

To qualify for refund or replacement, returned products must be in as-new condition, software products must be unopened, and all of the manuals, floppy disk(s), CD(s), power cables, and other items included with a product must be returned with it.

One-Year End-User Manufacturer Guarantee (Latin America and the Caribbean Only)

Guarantee

Dell Computer Corporation ("Dell") warrants to the end user in accordance with the following provisions that its branded hardware products, purchased by the end user from a Dell company or an authorized Dell distributor in Latin America or the Caribbean, will be free from defects in materials, workmanship, and design affecting normal use, for a period of one year from the original purchase date. Products for which proper claims are made will, at Dell's option, be repaired or replaced at Dell's expense. Dell owns all parts removed from repaired products. Dell uses new and reconditioned parts made by various manufacturers in performing repairs and building replacement products.

Exclusions

This Guarantee does not apply to defects resulting from: improper or inadequate installation, use, or maintenance; actions or modifications by unauthorized third parties or the end user; accidental or willful damage; or normal wear and tear.

Making a Claim

Claims must be made in Latin America or the Caribbean by contacting the Dell point of sale within the guarantee period. The end user must always supply proof of purchase, indicating name and address of the seller, date of purchase, model and serial number, name and address of the customer, and details of symptoms and configuration at the time of malfunction, including peripherals and software used. Otherwise, Dell may refuse the guarantee claim. Upon diagnosis of a warranted defect, Dell will make arrangements and pay for ground freight and insurance to and from Dell's repair/replacement center. The end user must ensure that the defective product is available for collection properly packed in original or equally protective packaging together with the details listed above and the return number provided to the end user by Dell.

Limitation and Statutory Rights

Dell makes no other warranty, guarantee or like statement other than as explicitly stated above, and this Guarantee is given in place of all other guarantees whatsoever, to the fullest extent permitted by law. In the absence of applicable legislation, this Guarantee will be the end user's sole and exclusive remedy against Dell or any of its affiliates, and neither Dell nor any of its affiliates shall be liable for loss of profit or contracts, or any other indirect or consequential loss arising from negligence, breach of contract, or howsoever.

This Guarantee does not impair or affect mandatory statutory rights of the end user against and/or any rights resulting from other contracts concluded by the end user with Dell and/or any other seller.

Dell World Trade LP

One Dell Way, Round Rock, TX 78682, USA

Dell Computadores do Brasil Ltda (CNPJ No. 72.381.189/0001-10)/

Dell Commercial do Brasil Ltda (CNPJ No. 03 405 822/0001-40)

Avenida Industrial Belgraf, 400

92990-000 - Eldorado do Sul - RS - Brasil

Dell Computer de Chile Ltda

Coyancura 2283, Piso 3 - Of.302,

Providencia, Santiago - Chile

Dell Computer de Colombia Corporation
Carrera 7 #115-33 Oficina 603
Bogota, Colombia

Dell Computer de Mexico SA de CV
Paseo de la Reforma 2620 - 11° Piso
Col. Lomas Altas
11950 México, D.F.

Intel® Warranty Statement for Pentium® and Celeron® Processors Only (U.S. and Canada Only)

Intel's Three Year Limited Warranty

Limited Warranty
Intel warrants that its family of Pentium® and Celeron® processors, if properly used and installed, will be free from defects in materials and workmanship and will substantially conform to Intel's publicly available specifications for a period of three (3) years after the date the Pentium or Celeron processor was purchased (whether purchased separately or as part of a computer system).

If the Pentium or Celeron processor, which is the subject of this Limited Warranty, fails during the warranty period for reasons covered by this Limited Warranty, Intel, at its option, will:

- REPAIR the Pentium or Celeron processor by means of hardware and/or software; OR
- REPLACE the Pentium or Celeron processor with another Pentium or Celeron processor; OR
- If Intel is unable to repair or replace the particular Pentium or Celeron processor, REFUND the then-current value of the Pentium or Celeron processor.

THIS LIMITED WARRANTY, AND ANY IMPLIED WARRANTIES THAT MAY EXIST UNDER STATE LAW, APPLY ONLY TO THE ORIGINAL PURCHASER OF THE PENTIUM OR CELERON PROCESSOR, OR PENTIUM OR CELERON PROCESSOR-BASED COMPUTER AND LAST ONLY FOR AS LONG AS SUCH PURCHASER CONTINUES TO OWN THE PROCESSOR.

Extent of Limited Warranty
Intel does not warrant that your Pentium or Celeron processor will be free from design defects or errors known as "errata". Current characterized errata are available upon request. This limited warranty is for purchasers in the United States and Canada only. The limited warranty does not cover any costs relating to removal or replacement of any Pentium or Celeron processors that are soldered or otherwise permanently affixed to your system's motherboard.

This limited warranty does not cover damage due to external causes, including accidents, problems with electrical power, usage not in accordance with product instructions, misuse, neglect, alteration, repair, improper installation, or improper testing.

How to Obtain Warranty Service
To obtain warranty service for your Pentium or Celeron processor, you may contact your computer system manufacturer in accordance with its instructions, or you may contact Intel.

To request warranty service from Intel, you should call Intel at 1-800-425-6060 during the warranty period during normal business hours (Pacific Time), excluding holidays. Please be prepared to provide:

- (1) your name, address, and telephone numbers;
- (2) proof of purchase;
- (3) this Intel warranty card;
- (4) a description of the computer system including the brand and model; and
- (5) an explanation of the problem.

[Note: The Customer Service Representative may need additional information from you depending on the nature of the problem.]

The replacement processor is warranted under this limited warranty and is subject to the same limitations and exclusions for the remainder of the original warranty period or one (1) year, whichever is longer.

WARRANTY LIMITATIONS AND EXCLUSIONS

THESE WARRANTIES REPLACE ALL OTHER WARRANTIES, EXPRESS OR IMPLIED INCLUDING BUT NOT LIMITED TO, THE IMPLIED WARRANTIES OF MERCHANTABILITY AND FITNESS FOR A PARTICULAR PURPOSE. INTEL MAKES NO EXPRESS WARRANTIES BEYOND THOSE STATED HERE. INTEL DISCLAIMS ALL OTHER WARRANTIES, EXPRESS OR IMPLIED, INCLUDING WITHOUT LIMITATION, IMPLIED WARRANTIES OF MERCHANTABILITY AND FITNESS FOR A PARTICULAR PURPOSE.

SOME LAWS DO NOT ALLOW THE EXCLUSION OF IMPLIED WARRANTIES SO THIS LIMITATION MAY NOT APPLY TO YOU. IF THESE LAWS APPLY, THEN ALL EXPRESS AND IMPLIED WARRANTIES ARE LIMITED IN DURATION TO THE LIMITED WARRANTY PERIOD. NO WARRANTIES APPLY AFTER THAT PERIOD. SOME LAWS DO NOT ALLOW LIMITATIONS ON HOW LONG AN IMPLIED WARRANTY LASTS, SO THIS LIMITATION MAY NOT APPLY TO YOU.

LIMITATIONS OF LIABILITY

INTEL'S RESPONSIBILITY UNDER THIS, OR ANY OTHER WARRANTY, IMPLIED OR EXPRESS, IS LIMITED TO REPAIR, REPLACEMENT OR REFUND, AS SET FORTH ABOVE. THESE REMEDIES ARE THE SOLE AND EXCLUSIVE REMEDIES FOR ANY BREACH OF WARRANTY. INTEL IS NOT RESPONSIBLE FOR INDIRECT, SPECIAL, INCIDENTAL, OR CONSEQUENTIAL DAMAGES RESULTING FROM ANY BREACH OF WARRANTY OR UNDER ANY OTHER LEGAL THEORY INCLUDING BUT NOT LIMITED TO, LOST PROFITS, DOWNTIME, GOODWILL, DAMAGE TO OR REPLACEMENT OF EQUIPMENT AND PROPERTY, AND ANY COSTS OF RECOVERING, REPROGRAMMING OR REPRODUCING ANY PROGRAM OR DATA STORED IN OR USED WITH A SYSTEM CONTAINING YOUR PENTIUM PROCESSOR. SOME JURISDICTIONS DO NOT ALLOW THE EXCLUSION OR LIMITATION OF INCIDENTAL OR CONSEQUENTIAL DAMAGES, SO THE ABOVE LIMITATIONS OR EXCLUSIONS MAY NOT APPLY TO YOU.

THIS LIMITED WARRANTY GIVES YOU SPECIFIC LEGAL RIGHTS, AND YOU MAY ALSO HAVE OTHER RIGHTS THAT VARY FROM JURISDICTION TO JURISDICTION.

**Intel Pentium® and Celeron® Processors are backed by a three-year limited warranty.
Please refer to the reverse side of this card for complete warranty details.**

Intel's Commitment to Quality

Intel is committed to producing the highest quality processors available. That's why we have hundreds of people dedicated to continuously improve our design, manufacturing, and testing technology.

We put every one of our Pentium® and Celeron® processors through a rigorous battery of tests during the design and manufacturing processes.

To verify that the new chip will correctly run the software written for Intel Architecture processors, a team of Intel engineers is dedicated to compatibility testing. In a state-of-art lab, this group runs an extensive set of operating systems, applications, network tests and stress tests repeatedly to ensure that the processor is compatible with representative software.

Just as importantly, we work with hardware and software companies in the computer industry to ensure that our processors are compatible with their products.

Additionally, a sampling of Intel processors are subjected to a rigorous "burn-in" test whereby the chip is operated at higher-than-normal temperatures and voltages. During this burn-in period, the processor experiences the equivalent of weeks of normal usage. These units are monitored for failures as part of our ongoing quality assurance process.

As a result, today's microprocessors from Intel are among the most reliable components in computers.

What are 'Errata'?

Exhaustive product testing can highlight differences between the actual behavior of the microprocessor and its specifications. Sometimes the discrepancies are caused by a design defect or error, which we call *errata*. Rigorous validation identifies most errata during the development of the processor, but we do detect additional errata during the life cycle of a microprocessor.

When an erratum is identified, our engineers work to characterize it and find a solution. We work with system designers and software developers to ensure that the discrepancy does not affect their products. If necessary, special software or hardware solutions (sometimes known as "work arounds") are implemented in the system design to prevent computer users from encountering the problem. Errata may then be corrected in future revisions of the microprocessor.

No microprocessor is perfect, and Intel recognizes that some consumers want to know about any errata, whether or not the errata affect them. Intel makes documentation of all characterized Pentium and Celeron processor errata publicly available through our Technical Documentation Service.

At Intel, our goal is to make every computer user satisfied with his or her Pentium or Celeron processor. Should you have any questions, comments or concerns about your Intel microprocessor, please call us at 1-800-628-6655.

©1997, 1998 Intel Corporation. All rights reserved.

Systemes Dell™ OptiPlex™ SX

Guide de configuration et de référence rapide



Remarques, avis et précautions



REMARQUE : Une REMARQUE fournit des informations importantes qui vous aident à mieux utiliser votre ordinateur.



AVIS : Un AVIS vous avertit d'un risque de dommage matériel ou de perte de données et vous indique comment éviter le problème.



PRÉCAUTION : Une PRÉCAUTION indique un risque potentiel d'endommagement du matériel, de blessure corporelle ou de mort.

Abréviations et acronymes

Pour obtenir une liste complète des abréviations et des acronymes, reportez-vous au « glossaire » du *Guide d'utilisation*.

Si vous avez acheté un ordinateur Dell™ de la série n, toutes les références faites aux systèmes d'exploitation Microsoft® Windows® ne sont pas applicables.

**Les informations contenues dans ce document sont sujettes à modification sans préavis.
© 2002-2003 Dell Computer Corporation. Tous droits réservés.**

Toute reproduction sans l'autorisation écrite de Dell Computer Corporation est strictement interdite.

Marques utilisées dans ce document : *Dell*, *OptiPlex* et le logo *DELL* sont des marques de Dell Computer Corporation ; *Microsoft* et *Windows* sont des marques déposées de Microsoft Corporation ; *Intel*, *Pentium* et *Celeron* sont des marques déposées de Intel Corporation ; *EMC* est la marque déposée de EMC Corporation.

D'autres marques et noms commerciaux peuvent être utilisés dans ce document pour faire référence aux entités se réclamant de ces marques et de ces noms ou à leurs produits. Dell Computer Corporation dénie tout intérêt propriétaire aux marques et aux noms commerciaux autres que les siens.

Mai 2003

Réf. 1U919

Rév. A02

Sommaire

Présentation de ce guide	45
Caractéristiques	45
PRÉCAUTION : Consignes de sécurité	47
Généralités	47
Lors de l'utilisation de votre ordinateur	49
Intervention à l'intérieur de votre ordinateur	50
Protection contre les décharges électrostatiques	51
Précautions ergonomiques	51
Enlèvement de la batterie	52
Mise en route/configuration	53
Déterminez l'emplacement et l'orientation de l'ordinateur	53
Installation d'un périphérique dans la baie modulaire	54
Installation du socle inclinable	55
Connexion de l'adaptateur CA/CC	55
Connexion de périphériques externes	57
Installation du panneau pour câble	58
Installation du socle inclinable sur la plaque de montage	60
Recherche d'informations et d'aide	62
Résolution des problèmes	64
Utilisation du CD Pilotes et utilitaires	65
Exécution des Diagnostics Dell	66
Exécution des Diagnostics Dell de disque dur IDE	68
Réglementation	68
Classe A	69
Classe B	69

Garantie limitée et règle de retour	71
Conditions de garantie limitée pour le Canada	71
Règle de retour « Satisfait ou remboursé »	75
Logiciels et périphériques Dell	75
Déclaration de garantie Intel® pour les processeurs Pentium® et Celeron® seulement (États-Unis et Canada seulement)	76

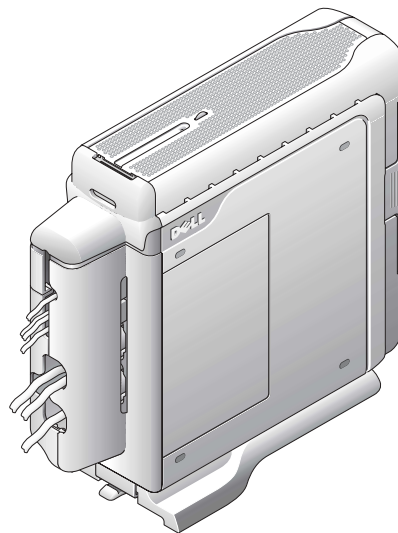
Présentation de ce guide

Ce document contient des informations sur la mise en route/configuration, la résolution des problèmes ainsi que sur les instructions de sécurité, les réglementations et la garantie concernant votre ordinateur Dell™ OptiPlex™.

Pour obtenir les dernières versions des documents sur votre disque dur, visitez le site Web de support de Dell à l'adresse support.dell.com.

Numéro de modèle de réglementation et type de châssis

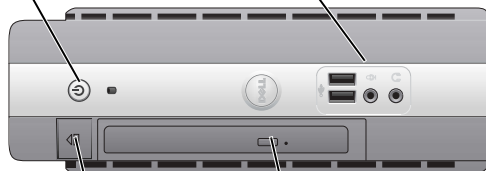
DCT = ordinateur USF
(Ultra small form-factor)



Caractéristiques

2 emplacements USB, connecteurs de casque et de microphone

bouton d'alimentation



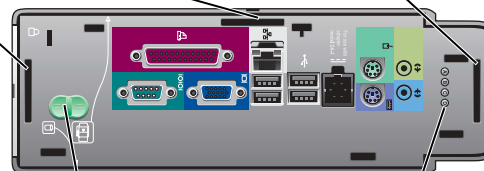
bouton d'éjection du module

baie modulaire

fente de montage (insérez le socle inclinable pour la position verticale)

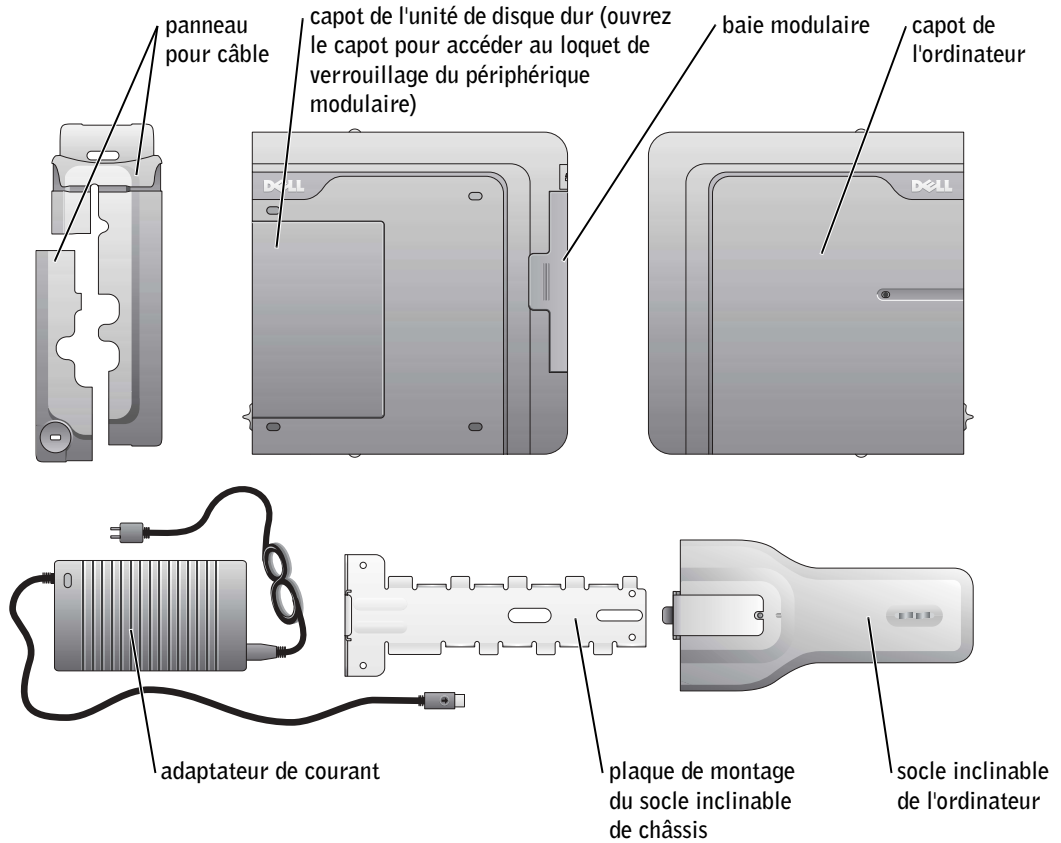
fente de montage (insérez le socle inclinable pour la position horizontale en suspension)

fente de montage (insérez le socle inclinable pour la position verticale en suspension)



voyants de diagnostic

bouton d'éjection du capot de l'unité de disque dur/du capot de l'ordinateur



PRÉCAUTION : Consignes de sécurité

Utilisez les consignes de sécurité suivantes pour vous aider à protéger votre ordinateur de dommages éventuels et pour garantir votre sécurité personnelle.

Généralités

- N'essayez pas d'intervenir vous-même sur l'ordinateur à moins que vous ne soyez un technicien qualifié. Suivez toujours scrupuleusement les consignes d'installation.
- Pour éviter toute décharge électrique, branchez les câbles d'alimentation de l'ordinateur et de ses périphériques à des prises électriques correctement reliées à la terre. Ces câbles sont équipés de prises à 3 broches pour assurer une mise à la terre correcte. N'utilisez pas de prises d'adaptateur et n'essayez pas de retirer la prise de mise à la terre d'un câble. Si vous devez utiliser une rallonge, utilisez une rallonge à trois fils avec des prises avec mise à la terre appropriées.



- Pour éviter tout risque de décharge électrique, n'utilisez pas votre ordinateur pendant un orage.
- Pour éviter tout risque de décharge électrique, n'effectuez aucun branchement ou débranchement, ni aucune opération de maintenance ou de reconfiguration de ce produit pendant un orage.
- Si votre ordinateur comporte un modem, la longueur du câble utilisé avec ce modem doit être d'une taille minimum de 26 AWG (American wire gauge) et le connecteur RJ-11 doit être conforme à la norme FCC.
- Avant de nettoyer votre ordinateur, débranchez-le de la prise électrique. Nettoyez votre ordinateur à l'aide d'un chiffon doux et humidifié avec de l'eau. N'utilisez pas de nettoyeurs liquides ou en aérosol, ceux-ci peuvent contenir des substances inflammables.
- Pour éviter d'endommager la carte système, patientez 5 secondes après avoir éteint l'ordinateur avant de déconnecter un périphérique de l'ordinateur.

PRÉCAUTION : Consignes de sécurité

- Pour éviter de provoquer un court-circuit dans votre ordinateur lorsque vous déconnectez un câble réseau, débranchez d'abord le câble de la carte réseau situé à l'arrière de l'ordinateur, puis débranchez-le de la prise murale du réseau. Pour reconnecter un câble réseau à votre ordinateur, branchez d'abord le câble sur la prise du réseau, puis sur la carte réseau.
- Pour protéger votre ordinateur des sautes de tension soudaines et passagères, utilisez un protecteur de surtension, un filtre de conditionnement de ligne ou un onduleur (UPS).
- Assurez-vous qu'aucun élément ne repose sur les câbles de votre ordinateur et que les câbles ne se trouvent pas sur un lieu de passage.
- N'insérez aucun objet dans les ouvertures de votre ordinateur. Cela risquerait de provoquer un incendie ou un choc électrique dû à un court-circuit des composants internes.
- Gardez votre ordinateur éloigné des radiateurs et des sources de chaleur. Ne bloquez pas non plus les orifices de refroidissement. Évitez de placer des papiers volants sous votre ordinateur ; ne placez pas votre ordinateur dans une unité murale fermée ou sur un lit, un canapé ou un tapis.
- Ne renversez ni nourriture ni liquide sur votre ordinateur. Si l'ordinateur est mouillé, consultez votre *Guide d'utilisation*.
- N'utilisez pas votre ordinateur pendant un orage sauf si l'adaptateur CA/CC est débranché de la prise électrique.
- Lorsque l'adaptateur CA/CC est utilisé pour alimenter l'ordinateur, placez-le dans une zone aérée, par exemple sur un bureau ou sur le sol.
- L'adaptateur CA/CC peut chauffer en cours d'utilisation de votre ordinateur. Faites donc très attention lorsque vous manipulez l'adaptateur pendant ou après son fonctionnement.

Lors de l'utilisation de votre ordinateur

Observez les consignes de sécurité suivantes lorsque vous utilisez votre ordinateur :

⚠ PRÉCAUTION : Ne faites pas fonctionner votre ordinateur avec un ou plusieurs panneaux retirés (y compris le capot, les cadres, et les plaques de recouvrement de l'ordinateur, les caches du panneau avant, etc.).

- Votre ordinateur est équipé de l'un des éléments suivants :
 - Un bloc d'alimentation à tension fixe — Les ordinateurs dotés d'un bloc d'alimentation à tension fixe ne disposent pas de commutateur de sélection de la tension sur le panneau arrière et fonctionnent avec une seule tension (voir l'étiquette de conformité aux normes située à l'extérieur de l'ordinateur pour connaître sa tension de fonctionnement).
 - Un circuit de tension à détection automatique — Les ordinateurs dotés d'un circuit de tension à détection automatique ne disposent pas de commutateur de sélection de la tension sur le panneau arrière et détectent automatiquement la tension de fonctionnement correcte.
 - Un commutateur manuel de sélection de la tension — Les ordinateurs dotés d'un commutateur manuel de sélection de la tension sur le panneau arrière doivent être configurés manuellement pour fonctionner avec la tension correcte.





- ➔ **AVIS :** Pour éviter d'endommager votre ordinateur, réglez le commutateur manuel de sélection de la tension de sorte qu'il corresponde bien au courant alternatif (CA) de votre zone géographique. Pour le Japon, le sélecteur de tension doit être réglé sur 115 V, même si dans ce pays la puissance en CA est de 100 V. Assurez-vous également que votre moniteur et les périphériques qui y sont reliés sont électriquement adaptés pour fonctionner avec la puissance en CA disponible dans votre zone géographique.
- Avant toute intervention à l'intérieur de l'ordinateur, débranchez celui-ci pour prévenir tout risque de décharge électrique et éviter d'endommager la carte système. Certains composants de la carte système sont alimentés en permanence lorsque l'ordinateur est branché à une source de CA.

Lors de l'utilisation de votre ordinateur *(suite)*

Intervention à l'intérieur de votre ordinateur

Avant de retirer le capot de l'ordinateur, effectuez les étapes suivantes dans l'ordre indiqué.

 **PRÉCAUTION** : Ne tentez pas d'intervenir vous-même sur l'ordinateur, sauf en suivant les explications fournies dans la documentation en ligne de Dell™ ou dans d'autres instructions provenant de Dell. Suivez toujours de près les instructions d'installation et d'entretien.

 **AVIS** : Pour éviter d'endommager la carte système, patientez 5 secondes après avoir éteint l'ordinateur avant de retirer un composant de la carte système ou de déconnecter un périphérique de l'ordinateur.

- 1 Arrêtez correctement votre ordinateur à l'aide du menu du système d'exploitation.
- 2 Éteignez l'ordinateur et tous les périphériques connectés à celui-ci.
- 3 Raccordez-vous à la terre en touchant une surface métallique non peinte sur le châssis, telle que les ouvertures d'emplacement de carte à l'arrière de l'ordinateur, avant de toucher un élément à l'intérieur de votre ordinateur.

Au cours de votre intervention, touchez régulièrement une surface métallique non peinte sur le châssis de l'ordinateur pour dissiper toute électricité statique qui pourrait endommager les composants internes.


- 4 Déconnectez votre ordinateur et ses périphériques, y compris le moniteur, de leurs prises électriques. Déconnectez également de l'ordinateur les lignes téléphoniques ou de télécommunication.

Vous réduirez ainsi le risque de blessure ou de décharge électrique.

Gardez également les consignes de sécurité suivantes en mémoire, le cas échéant :

- Lorsque vous débranchez un câble, tirez sur le connecteur ou sur la boucle prévue à cet effet, mais jamais sur le câble lui-même. Certains câbles sont dotés de connecteurs équipés de pattes de fixation ; pour déconnecter ce type de câble, appuyez sur les pattes de fixation avant de déconnecter le câble. Lorsque vous séparez des connecteurs, conservez-les alignés de manière à éviter de tordre leurs broches. De même, avant de connecter un câble, vérifiez que les deux connecteurs sont bien orientés et alignés.
- Manipulez les composants et les cartes avec précaution. Ne touchez pas les composants ou les contacts d'une carte. Tenez la carte par ses bords ou par son support de montage métallique. Prenez un composant (comme la puce d'un microprocesseur) par ses bords, et non par ses broches.

Lors de l'utilisation de votre ordinateur (*suite*)

 **PRÉCAUTION : Une nouvelle batterie mal installée risque d'exploser. Remplacez la batterie uniquement par une batterie de type identique ou équivalent à celui recommandé par le fabricant. Ne jetez pas la batterie avec les ordures ménagères. Contactez le service municipal de traitement des déchets pour connaître l'adresse du site de dépôt de batteries le plus proche de votre domicile.**

Protection contre les décharges électrostatiques

L'électricité statique peut endommager les composants fragiles à l'intérieur de votre ordinateur. Pour éviter de tels dommages, déchargez l'électricité statique de votre corps avant de toucher tout composant électronique de votre ordinateur, comme un microprocesseur. Pour ce faire, touchez une surface métallique non peinte du châssis de l'ordinateur.

Au cours de votre intervention à l'intérieur de l'ordinateur, touchez régulièrement une surface métallique non peinte pour décharger toute électricité statique que votre corps peut avoir accumulée.

Vous pouvez également prendre les mesures suivantes pour prévenir les dommages dus aux perturbations électrostatiques (ESD) :

- Ne retirez pas les composants de leur matériau d'emballage antistatique tant que vous n'êtes pas prêt à les installer sur votre ordinateur. Juste avant d'ôter l'emballage antistatique, déchargez votre corps de son électricité statique.
- Lorsque vous transportez un composant électrostatique sensible, placez-le d'abord dans un emballage ou un conteneur antistatique.
- Manipulez tous les composants électrostatiques sensibles dans une zone antistatique. Si possible, utilisez des tapis antistatiques sur le sol et sur votre plan de travail.

Précautions ergonomiques

 **PRÉCAUTION : Une utilisation prolongée ou inappropriée du clavier peut provoquer des blessures.**

 **PRÉCAUTION : Une exposition prolongée devant l'écran peut occasionner des troubles de la vue.**

Pour travailler efficacement et confortablement, suivez les conseils relatifs à l'ergonomie de votre *Guide d'utilisation* lorsque vous vous installez à votre poste de travail.

Lors de l'utilisation de votre ordinateur *(suite)*



Enlèvement de la batterie

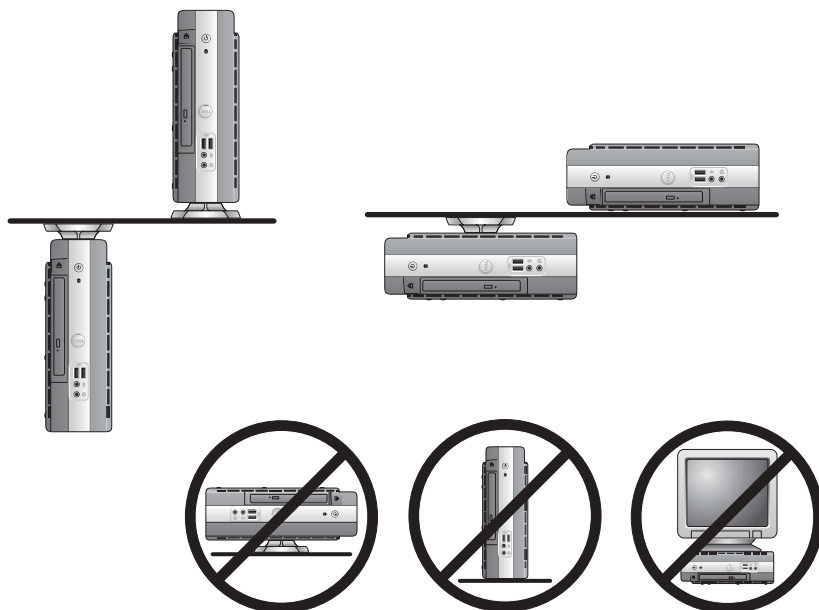
Votre ordinateur utilise une pile bouton au lithium. La durée de vie de cette pile bouton est telle qu'il est fort probable que vous n'ayez jamais besoin de la remplacer. Si vous êtes toutefois amené à la remplacer, reportez-vous à votre *Guide d'utilisation*.

Ne jetez pas la batterie avec les ordures ménagères. Contactez le service municipal de traitement des déchets pour connaître l'adresse du site de dépôt de batteries le plus proche de votre domicile.

Mise en route/configuration

AVIS : Ne mettez pas votre ordinateur sous tension tant que la procédure de configuration n'est pas terminée.

1 Déterminez l'emplacement et l'orientation de l'ordinateur



REMARQUE : Si vous souhaitez orienter votre ordinateur verticalement ou horizontalement sous un bureau ou sous une table, reportez-vous à la section « Installation du socle inclinable » à la page 55 et à la section « Installation du socle inclinable sur la plaque de montage » à la page 60.

AVIS : Ne placez pas le moniteur sur l'ordinateur. Utilisez un socle inclinable pour moniteur.

AVIS : Dans un environnement à fortes vibrations ou lors de l'installation de l'ordinateur en hauteur, utilisez le support de montage mural en option au lieu du support de châssis. Pour commander ce support, contactez Dell.

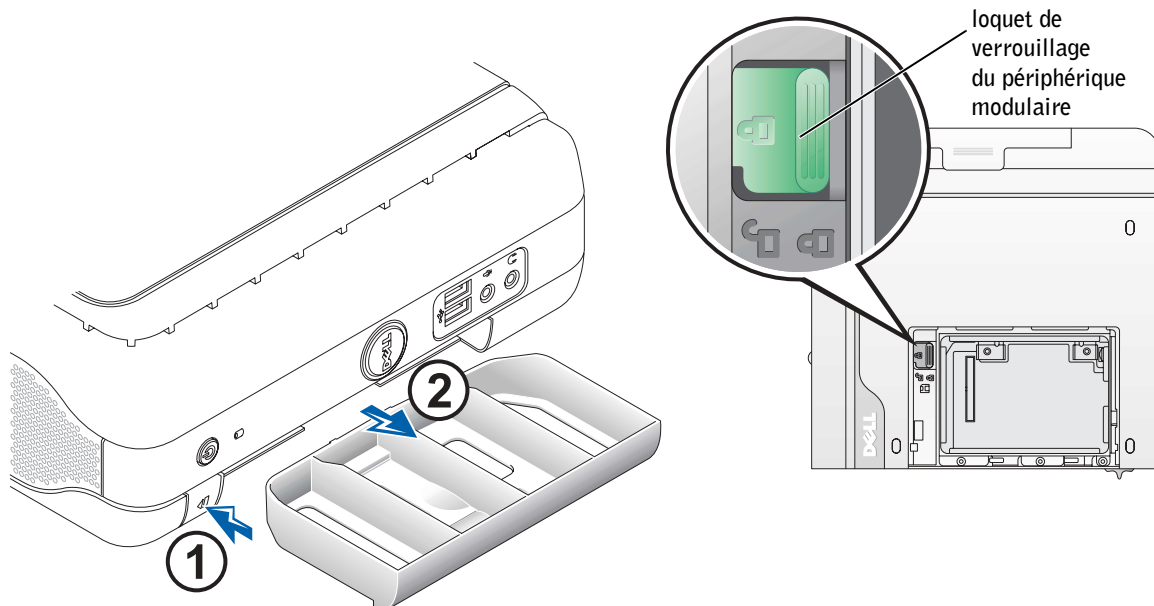
AVIS : Pour assurer une ventilation correcte, ne placez pas votre ordinateur verticalement sur un bureau sans utiliser le socle inclinable de l'ordinateur (reportez-vous à la section « Installation du socle inclinable »).

AVIS : Afin d'assurer une ventilation appropriée, ne bloquez pas les orifices de refroidissement.

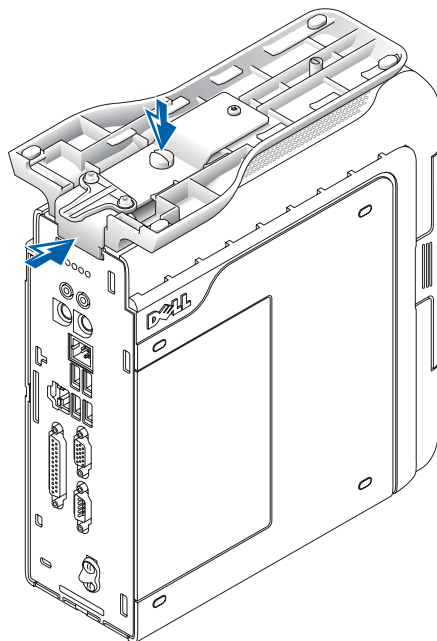
REMARQUE : Pour repérer le loquet de verrouillage du périphérique modulaire, retirez le capot de l'unité de disque dur.

2 Installation d'un périphérique dans la baie modulaire

Votre ordinateur Dell est livré avec un lecteur de disquette ou un emplacement prédécoupé dans la baie modulaire. Pour installer un CD, un DVD ou une deuxième unité de disque dur dans la baie modulaire, retirez d'abord l'emplacement prédécoupé et installez le périphérique.



3 Installation du socle inclinable



- 1 Soulevez la vis imperdable et faites glisser le socle du châssis dans l'une des trois fentes de montage à l'arrière de l'ordinateur.
- 2 Lorsque le socle est en place, resserrez la vis.

AVIS : Si l'ordinateur est installé sous un bureau ou sous une table et se trouve dans un environnement à fortes vibrations, utilisez le support de montage mural en option à la place du socle inclinable de l'ordinateur.

REMARQUE : Si vous installez l'ordinateur sous un bureau ou sous une table, connectez d'abord tous les câbles, puis installez le socle inclinable sur la plaque de montage (reportez-vous à la section « Installation du socle inclinable sur la plaque de montage » à la page 60).

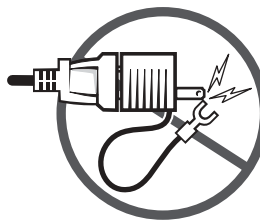
4 Connexion de l'adaptateur CA/CC

- 1 Branchez l'adaptateur d'alimentation au connecteur situé à l'arrière de l'ordinateur.
- 2 Connectez le câble d'alimentation à l'adaptateur.

REMARQUE : Le voyant de l'adaptateur d'alimentation s'allume lorsque l'adaptateur est correctement branché à une prise électrique murale et à l'ordinateur.

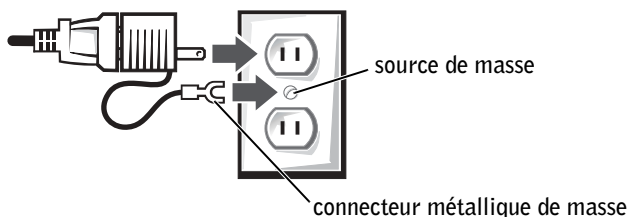
AVIS : Seules les installations japonaises sont concernées par la procédure suivante.

PRÉCAUTION : Si vous décidez de relier le fil vert de masse à une prise électrique, *n'autorisez aucun* contact entre la masse et les conducteurs car cela pourrait provoquer un choc électrique, un incendie ou endommager votre ordinateur (voir l'illustration suivante).



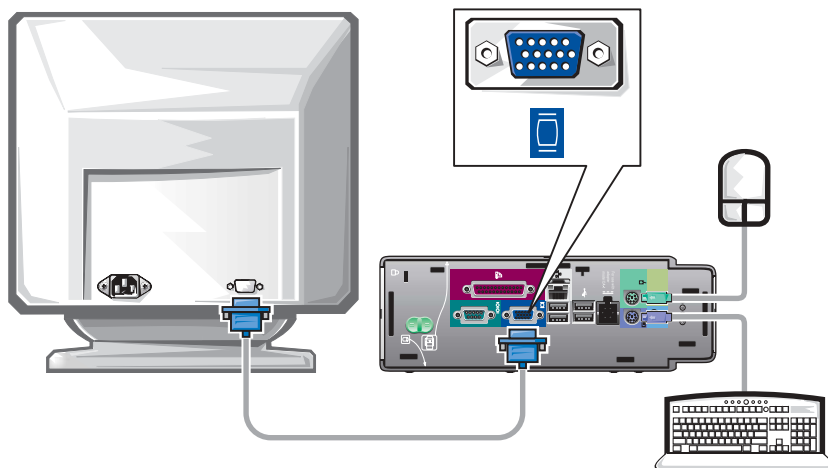
Si vous choisissez de ne *pas* relier le fil vert de masse à une prise électrique, passez à l'étape 4.

- 3** Reliez le connecteur métallique de masse à la source de masse sur la prise (voir l'illustration suivante) :
 - a** Desserrez la source de masse.
 - b** Faites glisser le connecteur en métal derrière la source de masse, puis vissez la source de masse.

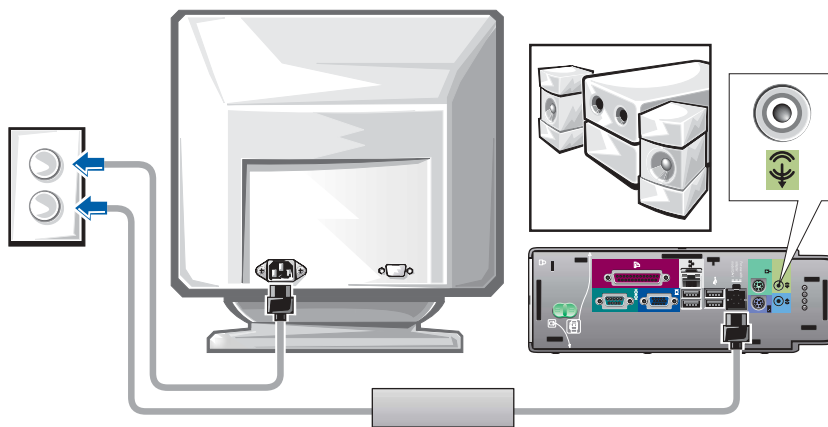


- 4** Connectez le câble d'alimentation CA à la prise.
-

5 Connexion de périphériques externes



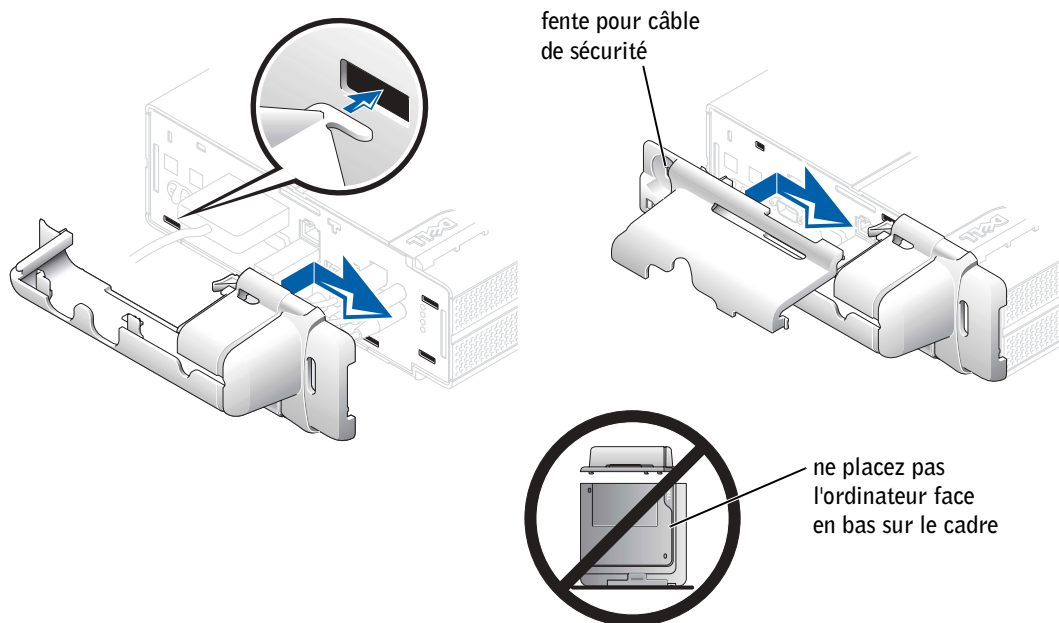
REMARQUE :
Connectez seulement un clavier et une souris.



PRÉCAUTION : Pour prévenir tout risque de choc électrique, n'utilisez que l'adaptateur et le câble d'alimentation fournis et vérifiez qu'ils sont branchés sur une source d'alimentation électrique correctement reliée à la terre.

6 Installation du panneau pour câble

- ➡ **AVIS :** Si vous installez l'ordinateur sous un bureau ou une table, ne refermez pas le capot de l'emplacement pour câble tant que l'ordinateur n'est pas correctement fixé sur la plaque de montage (reportez-vous à l'étape 7, « Installation du socle inclinable sur la plaque de montage » à la page 60).
- ➡ **AVIS :** Si vous utilisez le socle inclinable sur votre ordinateur, fixez-le avant de refermer le panneau pour câble.

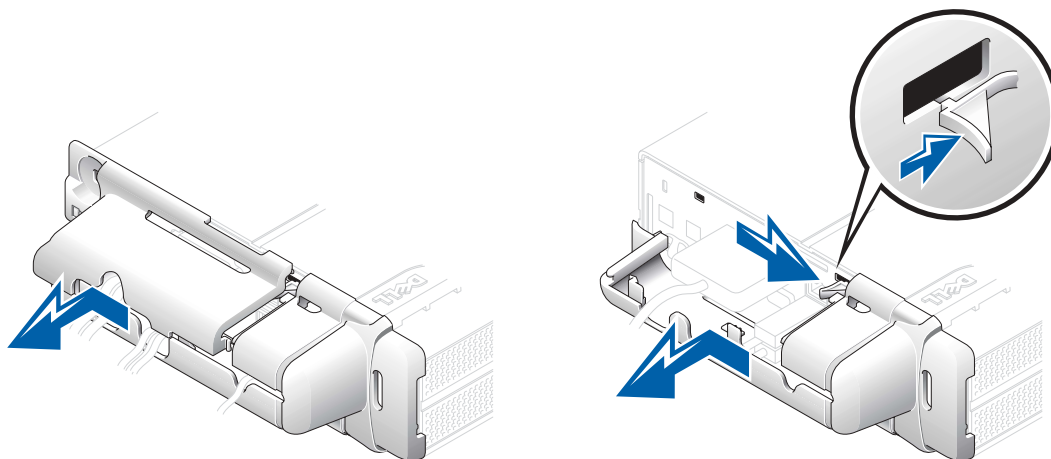


- ➡ **AVIS :** Lors de l'installation du panneau pour câble, ne placez pas l'ordinateur face vers le bas pour éviter que la surface de celui-ci ne soit en contact avec une surface dure. Vous risquez d'appuyer sur le bouton d'alimentation et de rayer la surface de l'ordinateur.
- 1 Branchez tous les câbles à l'arrière de l'ordinateur.
 - 2 Tenez la partie inférieure du panneau pour câble et alignez les quatre pattes avec les quatre fentes situées sur le panneau arrière de l'ordinateur.

- 3** Insérez les pattes dans les fentes et faites glisser cette partie vers les voyants de diagnostic (voir l'illustration) jusqu'à ce qu'elle se positionne correctement.
- 4** Saisissez la partie supérieure du panneau pour câble et alignez les deux pattes avec les deux fentes sur le panneau arrière de l'ordinateur.
- 5** Insérez les pattes dans les fentes et faites glisser cette partie vers les voyants de diagnostic (voir l'illustration) jusqu'à ce qu'elle se positionne correctement.
- 6** Installez un dispositif de sécurité dans la fente pour câble de sécurité (en option).

Pour retirer le panneau, enlevez le dispositif installé dans la fente pour câble de sécurité (en option).

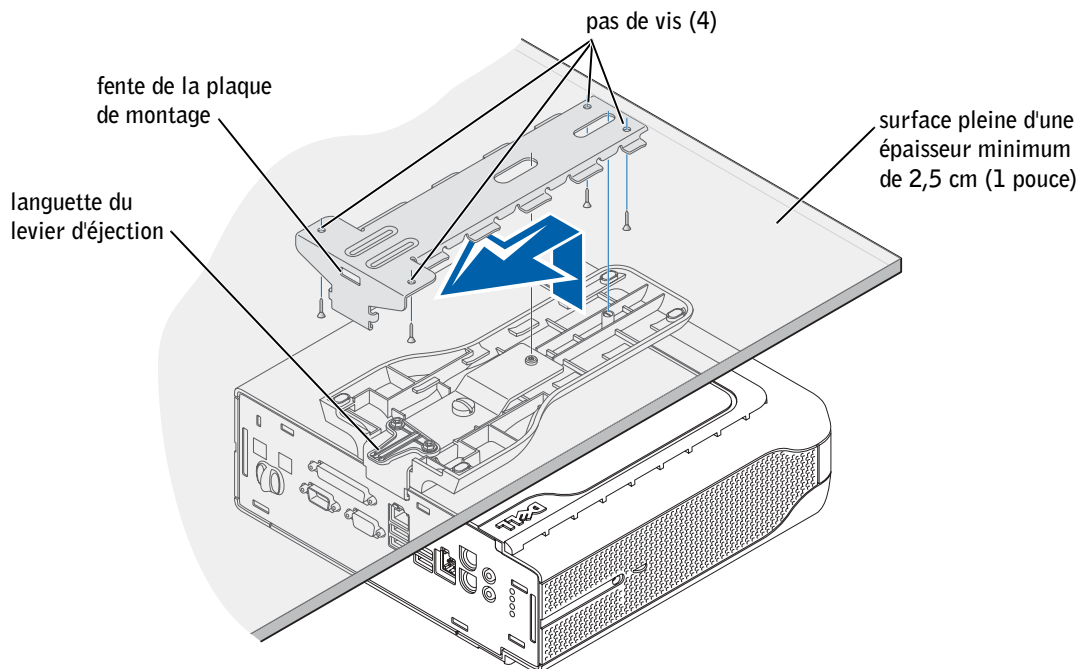
- 1** Saisissez la partie supérieure du panneau pour câble et faites-la glisser sur la gauche jusqu'à ce qu'elle s'arrête, puis soulevez-la pour la retirer.
- 2** Pour retirer la partie inférieure du panneau pour câble, tout en appuyant sur le levier, faites glisser la pièce sur la gauche jusqu'à ce qu'elle s'arrête, puis soulevez-la pour la retirer.



7 Installation du socle inclinable sur la plaque de montage

AVIS : Lorsque vous installez l'ordinateur en position suspendue, veillez à trouver un emplacement où il ne risque pas d'être heurté par les jambes de l'utilisateur ou par une chaise.

PRÉCAUTION : Fixez la plaque de montage sur une surface pleine capable de supporter 18,1 kg (40 livres) en suspension.



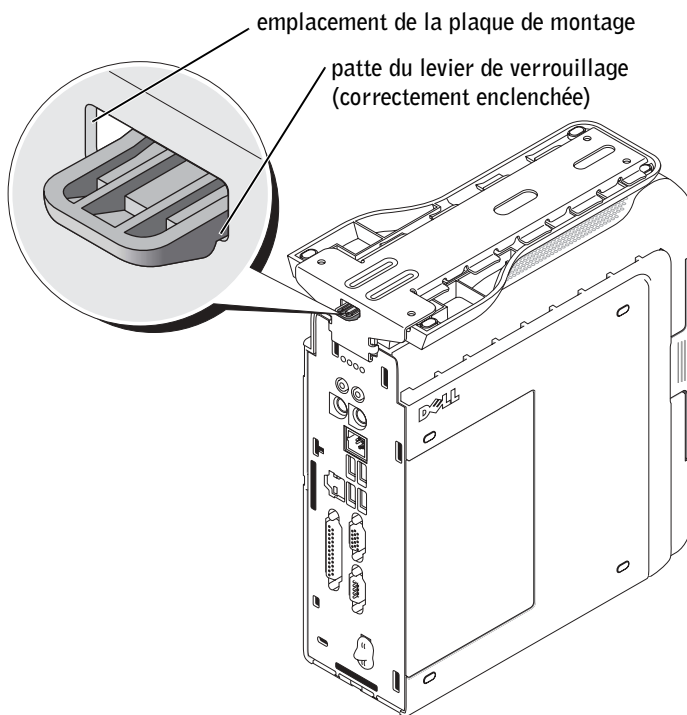
REMARQUE : Avant de fixer la plaque de montage sur une surface, vérifiez la manière dont le socle sera fixé à la plaque de montage.

1 À l'aide des quatre vis à bois #6 (15,88 mm ; 0,625 pouces) fournies, fixez la plaque de montage sur une surface pleine d'une épaisseur minimum de 2,5 cm (1 pouce).

2 Orientez l'ordinateur et le socle sous la plaque de montage à environ 2,5 cm (1 pouce) du bord de la plaque.

AVIS : Veillez à enclencher fermement la patte du levier de verrouillage dans l'emplacement de la plaque de montage.

3 Soulevez l'ordinateur et le socle, insérez le socle dans le support de montage et faites-le glisser jusqu'à ce que la languette du levier d'éjection s'insère dans la fente de la plaque de montage.



4 Fixez le panneau pour câble (le cas échéant).

AVIS : Lors de la configuration de votre ordinateur, fixez tous les câbles à l'arrière de la zone de travail afin qu'ils ne soient pas tirés, emmêlés ou piétinés.

8 Allumez l'ordinateur, lisez l'accord de licence du logiciel et suivez les instructions de configuration du système d'exploitation qui s'affichent à l'écran.

9 Félicitations ! Vous avez terminé la configuration du système.

Recherche d'informations et d'aide

Que recherchez-vous ?

- Un programme de diagnostics pour mon ordinateur
- Des pilotes pour mon ordinateur
- La documentation de mon ordinateur
- La documentation de mon périphérique

Consultez les éléments suivants

CD Pilotes et utilitaires (également appelé *ResourceCD*)



Vous pouvez utiliser ce CD pour accéder à la documentation, réinstaller des pilotes ou exécuter les outils de diagnostic.

- Code de service express et numéro de service
- Étiquette de licence Microsoft® Windows®

Code de service express et clé du produit



Ces deux éléments se trouvent sur votre ordinateur.

- Comment retirer et remplacer des pièces
- Caractéristiques techniques
- Comment configurer les paramètres système
- Comment dépanner et résoudre les problèmes

Guide d'utilisation



En fonction du système d'exploitation installé sur votre ordinateur, double-cliquez sur l'icône **User's Guides (Guides d'utilisation)**, située sur le bureau, ou cliquez sur le bouton **Start (Démarrer)** puis sur **Help and Support (Aide et support)** pour accéder à la documentation électronique stockée sur l'unité de disque dur.

Que recherchez-vous ?

- Comment réinstaller mon système d'exploitation

Consultez les éléments suivants**CD du système d'exploitation et Guide d'installation**

Si vous réinstallez le système d'exploitation, utilisez le CD *Pilotes et utilitaires* pour réinstaller les pilotes des périphériques fournis avec votre ordinateur.

-
- Des pilotes récents pour mon ordinateur
 - Réponses aux questions sur le service et le support technique.
 - Discussions en ligne avec d'autres utilisateurs et le support technique
 - Documentation pour mon ordinateur

Site Web de support technique de Dell

Le site Web de support technique propose plusieurs outils en ligne, notamment :

- Base de connaissance — astuces, conseils et cours en ligne
- Forum clients — discussion en ligne avec d'autres clients Dell
- Mises à niveau — information de mise à niveau pour les composants tels que la mémoire, le disque dur et le système d'exploitation
- Service clientèle — informations sur les contacts, état des commandes, garantie et informations sur les réparations
- Téléchargements — pilotes, correctifs et mises à jour logicielles
- Référence — documentation de l'ordinateur, caractéristiques des produits et livres blancs

-
- État des appels de demande d'assistance
 - Principaux problèmes techniques de mon ordinateur
 - Questions fréquemment posées
 - Téléchargements de fichiers
 - Détails sur la configuration de mon ordinateur
 - Contrat de service pour mon ordinateur

Site Web de Dell Premier Support

Le site Web Dell Premier Support est personnalisé pour les entreprises, l'administration publique et les établissements d'enseignement. Il se peut que ce site ne soit pas disponible dans tous les pays.

Que recherchez-vous ?	Consultez les éléments suivants
<ul style="list-style-type: none"> • Comment utiliser Windows XP • Documentation de mon ordinateur et de ses périphériques 	<p data-bbox="655 234 1301 269">Centre d'aide et de support Windows XP</p> <ol style="list-style-type: none"> <li data-bbox="655 269 1301 338">1 Cliquez sur le bouton Start (Démarrer), puis sur Help and Support (Aide et support). <li data-bbox="655 338 1301 407">2 Entrez un mot ou une expression décrivant votre problème, puis cliquez sur l'icône en forme de flèche. <li data-bbox="655 407 1301 442">3 Cliquez sur la rubrique qui décrit votre problème. <li data-bbox="655 442 1301 470">4 Suivez les instructions qui s'affichent à l'écran.

Résolution des problèmes

Dell fournit un certain nombre d'outils qui vous aideront si votre système ne fonctionne pas de la manière escomptée. Pour obtenir les dernières informations sur le dépannage disponibles pour votre système, consultez le site Web du support technique de Dell à l'adresse support.dell.com. Vous pouvez aussi trouver une description des outils de dépannage Dell dans la section « Obtention de l'aide » du *Guide d'utilisation* en ligne.

Si des problèmes nécessitant l'aide de Dell surviennent, rédigez une description détaillée de l'erreur, des codes sonores ou des voyants de diagnostics, notez votre Code de service express et votre Numéro de service et contactez Dell tout en vous trouvant à côté de votre ordinateur.

Reportez-vous à la section « Recherche d'informations et d'aide » à la page 62 pour obtenir un exemple de code de service express et de numéros de service.

Code de service express : _____

Numéro de service : _____

Votre ordinateur comporte les outils suivants qui peuvent vous aider à résoudre un problème :

Diagnostics Dell — Les Diagnostics Dell testent les différents composants de votre ordinateur et aident à identifier l'origine des problèmes. Pour plus d'informations, consultez la section « Exécution des Diagnostics Dell de disque dur IDE » à la page 68.

Les fonctionnalités suivantes peuvent indiquer une panne éventuelle et vous aider à résoudre un problème d'ordinateur. Consultez le *Guide d'utilisation* pour plus d'informations —

Voyants du système — Situés à l'avant de l'ordinateur

Voyants de diagnostic — Situés à l'arrière de l'ordinateur


Messages système — S'affichent sur l'écran du moniteur

Codes sonores — Série de signaux sonores émis par votre ordinateur

Utilisation du CD *Pilotes et utilitaires*

Pour utiliser le CD *Pilotes et utilitaires* de Dell pendant l'exécution du système d'exploitation Microsoft® Windows®, procédez comme suit :

- 1 Allumez l'ordinateur et démarrez-le à partir du bureau Windows.
- 2 Insérez le CD *Pilotes et utilitaires* de Dell dans le lecteur de CD.
Si vous utilisez le CD *Pilotes et utilitaires* pour la première fois sur cet ordinateur, la fenêtre d'installation s'ouvre et vous indique que le CD va commencer l'installation.
- 3 Cliquez sur **OK** pour continuer.
Pour terminer l'installation, suivez les invites du programme d'installation.
- 4 Cliquez sur **Next (Suivant)** dans l'écran **Welcome Dell System Owner (Bienvenue au propriétaire du système Dell)**.
- 5 Sélectionnez le **modèle de système, système d'exploitation et type de périphérique** approprié ainsi que la **rubrique** qui vous intéresse.

 **REMARQUE :** Pour accéder aux pilotes de périphériques et à la documentation utilisateur, vous devez utiliser le CD *Pilotes et utilitaires* pendant l'exécution de Windows.

Pilotes pour votre ordinateur

Pour afficher la liste de tous les pilotes de périphériques pour votre ordinateur, procédez comme suit :

- 1 Cliquez sur **My Drivers (Mes pilotes)** dans le menu déroulant **Topic (Rubrique)**.

Le CD *Pilotes et utilitaires* analyse le système d'exploitation et les éléments matériels de votre ordinateur, puis affiche la liste des pilotes de périphériques pour la configuration de votre système.

- 2 Cliquez sur le pilote approprié puis suivez les instructions pour télécharger le pilote sur votre ordinateur.

Pour afficher la liste de tous les pilotes disponibles pour votre ordinateur, cliquez sur **Drivers (Pilotes)** dans le menu **Topic (Rubrique)**.

Exécution des Diagnostics Dell

Le programme de Diagnostics Dell teste les différents composants de votre ordinateur. Exécutez ce programme en cas de problème avec l'ordinateur pour vous aider à identifier l'origine du problème. Vous pouvez exécuter les Diagnostics Dell à partir de l'unité de disque dur ou du CD *Pilotes et utilitaires*.

À partir de l'unité de disque dur :



AVIS : En cas de défaillance de votre unité de disque dur, exécutez les Diagnostics Dell de disque dur IDE (reportez-vous à la section « Exécution des Diagnostics Dell de disque dur IDE » à la page 68).

- 1 Arrêtez puis redémarrez l'ordinateur.
- 2 Lorsque le logo DELL™ apparaît, appuyez immédiatement sur <F12>.

Si vous attendez trop longtemps et que le logo Windows apparaît, attendez encore jusqu'à ce que le bureau Windows s'affiche. Arrêtez ensuite votre ordinateur à partir du menu **Start (Démarrer)** et faites une nouvelle tentative.

- 3 Lorsque la liste des périphériques d'initialisation s'affiche, mettez en surbrillance l'option **Boot to Utility Partition (Initialisation sur la partition de l'utilitaire)** et appuyez sur <Entrée>.



REMARQUE : Si un message vous informe qu'aucune partition d'utilitaire de diagnostics n'a été trouvée, suivez les instructions pour exécuter les Diagnostics Dell à partir de votre CD *Drivers and Utilities (Pilotes et utilitaires)*.

- 4 Lorsque le menu principal des Diagnostics Dell s'affiche, sélectionnez le test à exécuter.
- 5 Fermez l'écran de test pour revenir à l'écran **Main Menu (Menu principal)**. Pour quitter les Diagnostics Dell et redémarrer l'ordinateur, fermez l'écran **Main Menu (Menu principal)**.

À partir du **CD Pilotes et utilitaires** :

- 1 Insérez le CD *Pilotes et utilitaires* dans le lecteur de CD.
- 2 Arrêtez puis redémarrez l'ordinateur.
Lorsque le logo DELL apparaît, appuyez immédiatement sur <F12>. Si vous attendez trop longtemps et que le logo Windows apparaît, attendez encore jusqu'à ce que le bureau Windows s'affiche. Arrêtez ensuite votre ordinateur à partir du menu **Start (Démarrer)** et faites une nouvelle tentative.
- 3 Lorsque la liste des périphériques d'initialisation s'affiche, mettez en surbrillance l'option **IDE CD-ROM Device (Périphérique CD-ROM IDE)** et appuyez sur <Entrée>.
- 4 Sélectionnez **IDE CD-ROM Device (Périphérique CD-ROM IDE)** dans le menu d'initialisation du CD.
- 5 Sélectionnez l'option **Boot from CD-ROM (Initialiser à partir du CD-ROM)** dans le menu qui s'affiche.
- 6 Entrez 1 pour lancer le menu **ResourceCD**.
- 7 Entrez 2 pour démarrer les Diagnostics Dell.
- 8 Sélectionnez **Run the 32-Bit Dell Diagnostics (Exécuter les Diagnostics Dell 32 bits)** dans la liste numérotée. Si plusieurs versions sont répertoriées, sélectionnez la version appropriée pour votre plateforme.
- 9 Lorsque le menu principal des Diagnostics Dell s'affiche, sélectionnez le test à exécuter.
- 10 Lorsque les tests sont terminés, retirez le CD.



REMARQUE : Cette fonctionnalité change la séquence d'initialisation pour une fois seulement. Lors du prochain démarrage, l'ordinateur s'initialisera en fonction des périphériques spécifiés dans la configuration du système.

Exécution des Diagnostics Dell de disque dur IDE

L'utilitaire de Diagnostics Dell de disque dur IDE teste l'unité de disque dur pour résoudre ou confirmer une défaillance de celle-ci.

- 1 Allumez l'ordinateur (s'il est déjà allumé, redémarrez-le).
- 2 Lorsque F2 = Setup (Configuration) s'affiche dans le coin supérieur droit de l'écran, appuyez sur <Ctrl><Alt><D>.
- 3 Suivez les instructions qui s'affichent à l'écran.

Si une défaillance est indiquée, reportez-vous à la section « Problèmes liés au disque dur » de votre *Guide d'utilisation*.

Réglementation

Une interférence électromagnétique (EMI, Electromagnetic Interference) est un signal ou une émission, véhiculé(e) dans l'espace libre ou par des conducteurs électriques ou de signaux, qui peut mettre en danger le fonctionnement d'une radionavigation ou autre service de sécurité ou sérieusement dégrader, obstruer ou interrompre à maintes reprises un service de communications radio autorisé.

Votre système informatique Dell est conçu pour satisfaire aux réglementations en vigueur en matière d'interférences électromagnétiques. Les modifications et changements non expressément approuvés par Dell peuvent annuler vos droits d'utilisation de cet équipement.

Les systèmes informatiques Dell sont conçus, testés et classés selon l'environnement électromagnétique auquel ils sont destinés. Cette classification comprend deux groupes :



REMARQUE :

Examinez l'étiquette de conformité aux normes apposée sur la partie arrière ou inférieure de votre système Dell pour déterminer le type d'environnement dans lequel le système peut fonctionner.

- La classe A désigne un périphérique pouvant fonctionner uniquement dans les environnements industriels ou commerciaux.
- La classe B désigne un périphérique pouvant fonctionner dans les zones résidentielles aussi bien que dans les environnements industriels ou commerciaux.

Classe A

Cet équipement a été testé et déclaré conforme aux limites des appareils numériques de classe A définies par l'alinéa 15 du règlement de la FCC (Federal Communications Commission). Ces limites ont été conçues pour fournir une protection raisonnable contre les interférences néfastes dans un environnement commercial. Cet équipement génère, utilise et peut émettre de l'énergie radiofréquence et peut, s'il n'est pas installé et utilisé selon les instructions, être la cause d'interférences néfastes sur les communications radio. L'utilisation de cet équipement dans une zone résidentielle peut créer des interférences néfastes, auquel cas l'utilisateur devra corriger les interférences à ses propres frais.

Classe B

Cet équipement a été testé et déclaré conforme aux limites des appareils numériques de classe B définies par l'alinéa 15 du règlement de la FCC. Ces limites ont été conçues pour fournir une protection raisonnable contre les interférences néfastes dans une installation en milieu résidentiel. Cet équipement génère, utilise et peut émettre de l'énergie radiofréquence et peut, s'il n'est pas installé et utilisé selon les instructions, être la cause d'interférences néfastes sur les communications radio. Cependant, la possibilité d'une interférence dans une installation à domicile n'est pas entièrement exclue. Si l'équipement crée effectivement des interférences néfastes pour la réception radio et télévision, ce qui peut être déterminé en allumant et en éteignant cet équipement, l'utilisateur est encouragé à essayer de corriger les interférences en prenant une ou plusieurs des mesures suivantes :

- Réorienter ou déplacer l'antenne de réception
- Augmenter la distance entre l'équipement et le récepteur
- Connecter l'équipement à une source d'alimentation sur un circuit différent de celui sur lequel est connecté le récepteur
- Consulter Dell ou un technicien expérimenté en radio/télévision, pour obtenir une assistance



REMARQUE :

Pour des informations complémentaires sur votre système en matière de réglementation, consultez le *Guide d'utilisation*.

Garantie limitée et règle de retour

Les produits matériels de la marque Dell achetés au Canada comportent une garantie limitée de 90 jours (pour les lampes de projecteurs de marque Dell uniquement), d'un an, de deux ans, de trois ans ou de quatre ans. Pour savoir de quelle garantie vous bénéficiez, consultez la facture qui accompagnait le ou les produits matériels que vous avez acquis. Les sections suivantes décrivent la garantie limitée et la politique de retour propres au Canada.

Conditions de garantie limitée pour le Canada

Que couvre cette garantie limitée ?

Cette garantie limitée couvre les défauts de matériel et de fabrication que vous, client utilisateur final, rencontrez avec vos produits matériels Dell, y compris les moniteurs, les claviers et les périphériques de pointage (souris) de la marque Dell.

Qu'est-ce qui n'est pas couvert par cette garantie limitée ?

Cette garantie limitée ne couvre pas les éléments suivants :

- Les logiciels, y compris le système d'exploitation et les logiciels ajoutés aux produits matériels de marque Dell par notre système d'intégration d'entreprise ou le rechargement de logiciels.
- Les produits et accessoires d'une marque autre que Dell.
- Les problèmes résultant de ce qui suit :
 - Les causes externes telles que les accidents, l'usage abusif ou à mauvais escient, les problèmes d'alimentation électrique
 - Les interventions non autorisées par Dell
 - Une utilisation non conforme aux instructions du produit
 - Le non-respect des instructions du produit et la non-exécution de l'entretien préventif
 - Les problèmes dus à l'utilisation d'accessoires, de pièces et de composants non fournis par Dell
- Les produits dont les numéros de service ou les numéros de série sont manquants ou incorrects
- Les produits qui n'ont pas été payés

CETTE GARANTIE VOUS DONNE DES DROITS LÉGAUX SPÉCIFIQUES, AUXQUELS PEUVENT S'AJOUTER D'AUTRES DROITS, QUI VARIENT AU CAS PAR CAS (OU SELON LA PROVINCE). LA RESPONSABILITÉ DE DELL POUR LE FONCTIONNEMENT DÉFECTUEUX ET LES DÉFAUTS DU PRODUIT EST LIMITÉE À LA RÉPARATION OU AU REMPLACEMENT COMME INDICÉ DANS CE CONTRAT DE GARANTIE, SELON LES CONDITIONS DE LA PÉRIODE DE GARANTIE APPARAISSANT SUR VOTRE FACTURE. SAUF POUR LES GARANTIES EXPRESSES CONTENUES DANS CE CONTRAT DE GARANTIE, DELL DÉCLINE TOUTE AUTRE GARANTIE OU CONDITION EXPRESSE OU IMPLICITE, INCLUANT SANS RESTRICTION LES GARANTIES ET CONDITIONS IMPLICITES DE QUALITÉ OU D'ADAPTABILITÉ À UN USAGE PARTICULIER, STATUTAIRE OU AUTRE. CERTAINES PROVINCES NE RECONNAISSENT PAS D'EXCLUSION SUR DES GARANTIES OU CONDITIONS IMPLICITES, OU DE RESTRICTION EN CE QUI CONCERNE LA DURÉE D'UNE GARANTIE OU CONDITION IMPLICITE. AUQUEL CAS, LES EXCLUSIONS ET RESTRICTIONS PRÉCÉDENTES PEUVENT NE PAS S'APPLIQUER.

NOUS DÉCLINONS TOUTE RESPONSABILITÉ, AU-DELÀ DES RECOURS INDIQUÉS DANS CETTE GARANTIE LIMITÉE OU POUR LES DOMMAGES PARTICULIERS, INDIRECTS, ACCIDENTELS OU INDUITS, Y COMPRIS POUR LA RESPONSABILITÉ DE RÉCLAMATIONS DE DOMMAGES D'UNE TIERCE PARTIE À VOTRE ENCONTRE, POUR LA NON-DISPONIBILITÉ D'UN PRODUIT OU POUR LA PERTE DE DONNÉES OU DE LOGICIEL, ET CE SANS RESTRICTION. NOTRE RESPONSABILITÉ SE LIMITE AU MONTANT QUE VOUS AVEZ PAYÉ POUR LE PRODUIT FAISANT L'OBJET D'UNE RÉCLAMATION. IL S'AGIT DU MONTANT MAXIMAL SOUMIS À LA RESPONSABILITÉ DE DELL.

CERTAINES PROVINCES NE RECONNAISSENT PAS D'EXCLUSION OU DE RESTRICTION SUR LES DOMMAGES PARTICULIERS, INDIRECTS, SECONDAIRES OU INDUITS, AUQUEL CAS L'EXCLUSION OU LES RESTRICTIONS PRÉCÉDENTES PEUVENT NE PAS S'APPLIQUER.

Quelle est la durée de cette garantie limitée ?

Cette garantie limitée s'applique pendant la période indiquée sur votre facture, à l'exception de la garantie limitée des batteries Dell qui est valable un an seulement et de la garantie limitée des lampes de projecteurs Dell qui est réduite à neuf jours uniquement. La garantie limitée prend effet à la date de facturation. La période de garantie n'est pas étendue si vous réparez ou remplacez un produit ou des composants sous garantie. Dell peut changer en toute discrétion les conditions et la disponibilité des garanties limitées, mais ces changements ne sont pas rétroactifs (c'est-à-dire que les conditions de la garantie en vigueur au moment de l'achat continueront de s'appliquer à votre achat).

Que dois-je faire si j'ai besoin d'un service de garantie ?

Avant que la garantie n'expire, appelez-nous au numéro correspondant à votre situation, comme indiqué dans le tableau ci-dessous. En outre, ayez à portée de main votre numéro de service ou numéro de commande Dell.

Utilisateurs particuliers, utilisateurs travaillant à domicile et petites entreprises :	Canada seulement
Support technique et service clientèle	1-800-847-4096
Clients d'entreprises de taille moyenne, grands comptes, clients de l'administration, clients des domaines de l'éducation et de la santé, et revendeurs VAR :	
Support technique	1-800-387-5757
Service clientèle	1-800-326-9463
Clients de l'administration ou du domaine de l'éducation ou encore particuliers ayant acheté ce produit par le biais d'un programme d'achat pour salariés :	
Support technique	1-800-387-5757
Service clientèle	1-800-326-9463 (poste 8221 pour les particuliers)
Mémoire Dell	1-888-363-5150

Quelles actions Dell met-il en œuvre ?

Pendant la première année des garanties limitées : Pendant la première année de toutes les garanties limitées, nous réparons tous les produits matériels Dell retournés qui s'avèrent présenter un défaut de matériel ou de fabrication. Si nous ne parvenons pas à réparer le produit, nous le remplaçons par un produit comparable, nouveau ou recyclé.

Lorsque vous nous contactez, nous vous donnons un numéro d'autorisation de retour de matériel que vous devez joindre à votre retour. Vous devez nous retourner les produits dans leur emballage d'origine ou un équivalent, payer d'avance les frais d'expédition et assurer l'envoi ou accepter les risques de perte ou de dommage pendant l'acheminement. Nous nous chargeons de vous retourner les produits réparés ou remplacés. Nous prenons à notre charge l'expédition des produits réparés ou remplacés si vous avez une adresse au Canada. Sinon, nous vous renvoyons le produit contre paiement à réception.

Si nous déterminons que le problème n'est pas couvert par la garantie, nous vous en avertissons et vous indiquons les autres solutions de service qui vous sont proposées moyennant des frais.

REMARQUE : Avant de nous envoyer le ou les produits, sauvegardez les données du ou des disques durs et de tout autre dispositif de stockage du ou des produits. Supprimez toutes les informations confidentielles, propriétaires ou personnelles et retirez tous les supports amovibles, tels que les disquettes, CD ou cartes PC. Nous déclinons toute responsabilité en ce qui concerne vos informations confidentielles, propriétaires ou personnelles et en cas de perte ou d'endommagement des données ou des supports amovibles.

Après la première année des garanties limitées : Nous remplaçons tous les composants défectueux par des composants nouveaux ou recyclés si nous considérons que le remplacement est justifié. Lorsque vous nous contactez, nous vous demandons de nous fournir un numéro de carte de crédit valide au moment où vous demandez le remplacement d'un composant, mais nous ne vous facturons pas le remplacement si vous nous retournez le composant d'origine dans les trente jours qui suivent l'expédition du composant de rechange. Si nous ne recevons pas le composant d'origine dans les trente jours, nous porterons au débit de votre carte de crédit le prix standard actuel du composant.

Nous prenons à notre charge l'expédition du composant remplacé si vous avez une adresse au Canada. Sinon, nous vous renvoyons le composant contre paiement à réception. Dell inclut un emballage d'expédition prépayé avec chaque pièce de rechange, afin de renvoyer la pièce remplacée à Dell.

REMARQUE : Avant de remplacer des pièces, sauvegardez les données du ou des disques durs et de tout autre dispositif de stockage du ou des produits. Nous déclinons toute responsabilité en cas de perte ou d'endommagement des données.

Que se passe-t-il si j'ai souscrit un contrat de service sur site ?

Si votre contrat de service a été passé avec Dell, le service vous sera proposé selon les conditions du contrat de service. Reportez-vous à ce contrat pour plus d'informations sur la façon de bénéficier du service. Les contrats de service Dell sont disponibles en ligne sur le site www.dell.ca ou en appelant le service clientèle au 1-800-847-4096. Si vous avez souscrit par notre intermédiaire un contrat de service avec l'un de nos fournisseurs de service tiers, reportez-vous à ce contrat (qui vous a été envoyé avec votre facture) pour plus d'informations sur la façon d'obtenir un service.

Comment allez-vous réparer mon produit ?

Dell utilise des composants neufs ou remis en état provenant de différents fabricants pour les réparations sous garantie et pour la fabrication de composants et de systèmes de remplacement. Les composants et systèmes recyclés sont des composants ou des systèmes qui ont été retournés à Dell et dont certains n'ont jamais été utilisés par le client. La qualité de tous les composants et systèmes est contrôlée et testée. Les composants et systèmes de remplacement fournis sont couverts par la garantie pour la période restante de la garantie limitée du produit que vous avez acheté. Dell est propriétaire de toutes les pièces retirées des produits réparés.

Que dois-je faire si je ne suis pas satisfait ?

Nous nous félicitons de l'efficacité de notre service clientèle. Toutefois, si vous n'êtes pas satisfait du service que vous recevez dans le cadre de la garantie limitée, faites-le nous savoir. Nous sommes convaincus de la nécessité de collaborer pour essayer de résoudre des problèmes liés à une garantie limitée. Si, après cette collaboration, vous n'êtes toujours pas satisfait, nous pensons que le recours à un arbitrage constitue la voie la plus rapide pour résoudre les différends. En conséquence, **UNE RÉCLAMATION, UN CONFLIT OU UNE CONTROVERSE (PAR SUITE D'UN CONTRAT, D'UN DÉLIT CIVIL OU AUTRE, QUE CE SOIT DANS LE PASSÉ, À L'HEURE ACTUELLE OU DANS LE FUTUR, Y COMPRIS CEUX QUI SONT PRÉVUS PAR LA LOI, CEUX QUI SURVIENNENT EN COMMON LAW, LES DÉLITS INTENTIONNELS ET LES RÉCLAMATIONS ÉQUITABLES) CONTRE DELL** découlant de cette garantie limitée ou de son interprétation ou liée à celle-ci, ou découlant de la violation, de la résiliation ou de la validité de cette garantie limitée, des relations entre les parties (y compris, dans la mesure autorisée par le droit applicable, les relations avec les tiers), de la publicité affichée par Dell ou d'un achat connexe **DEVRA ÊTRE RÉGLÉ DE FAÇON EXCLUSIVE ET DÉFINITIVE PAR VOIE D'ARBITRAGE OBLIGATOIRE ORGANISÉ PAR LE NAF (NATIONAL ARBITRATION FORUM)** conformément à son code de procédure (qui peut être consulté sur Internet à l'adresse www.arb-forum.com/ ou par téléphone au 1-800-474-2371). L'arbitrage portera uniquement sur le différend ou le litige existant entre vous et Dell. Toute sentence arbitrale doit être définitive et exécutoire pour chaque partie contractante, et peut être reconnue comme jugement par une juridiction compétente. Des informations peuvent être obtenues et des réclamations peuvent être enregistrées par le NAF à l'adresse suivante : P.O. Box 50191, Minneapolis, MN 55405.

Puis-je transférer la garantie limitée ?

La garantie limitée sur les systèmes peut être transférée si son propriétaire actuel transfère également la propriété du système et enregistre le transfert auprès de Dell. La garantie limitée sur la mémoire Dell ne peut pas être transférée. Vous pouvez enregistrer le transfert de votre garantie limitée auprès de Dell en vous rendant sur notre site Web :

- Si vous êtes un particulier, accédez au site www.dell.com/us/en/dhs/topics/sbtopic_016_ccare.htm
- Si vous êtes un client travaillant à domicile, un client d'une petite ou moyenne entreprise ou encore d'une grande entreprise, accédez au site www.dell.com/us/en/biz/topics/sbtopic_ccare_nav_016_ccare.htm
- Si vous êtes un client d'une administration, du domaine de l'éducation ou du domaine de la santé, ou encore un client particulier ayant fait l'acquisition du produit par le biais d'un programme d'achat pour salariés, accédez au site www.dell.com/us/en/pub/topics/sbtopic_016_ccare.htm

Si vous ne disposez pas d'un accès à Internet, veuillez appeler Dell au 1-800-326-9463.

Règle de retour « Satisfait ou remboursé »

En qualité de client et utilisateur final ayant acheté de nouveaux produits directement à Dell, vous êtes en droit de les retourner à Dell dans un délai de 30 jours maximum après la date de réception des produits pour un remboursement ou un avoir équivalent au prix d'achat. En qualité de client et utilisateur final ayant acheté des produits reconditionnés ou recyclés à Dell, vous êtes en droit de les retourner dans un délai de 14 jours à compter de la date de facturation pour un remboursement ou un avoir équivalent au prix d'achat. Dans les deux cas, une taxe de 15 % sera déduite du montant du remboursement ou de l'avoir indiqué sur votre facture, qui correspond aux frais d'expédition, de gestion et de retour applicables, sauf avis contraire légal. Si vous avez acheté nos produits en tant que société liée à Dell par un contrat écrit, les termes stipulés dans ce contrat au sujet du retour des produits peuvent différer de ceux spécifiés par la règle de retour.

Pour retourner les produits, vous devez appeler le Service Clientèle de Dell au 1-800-387-5759 qui vous fournira un numéro d'autorisation de retour pour crédit. Afin d'accélérer la procédure de remboursement ou d'avoir, Dell attend que vous lui renvoyiez les produits dans leur emballage d'origine dans les cinq jours suivant l'attribution d'un numéro d'autorisation de retour pour crédit. Vous devez également payer d'avance les frais d'expédition et assurer l'envoi ou accepter les risques de perte ou de dommage pendant l'acheminement. Vous ne pouvez renvoyer le logiciel pour un remboursement ou un avoir que si l'emballage scellé contenant les disquettes ou les CD n'a pas été ouvert. Les produits renvoyés doivent être comme neufs, et tous les guides, disquettes, CD, cordons d'alimentation et autres accessoires compris avec le produit doivent être renvoyés avec lui. Les clients désirant renvoyer, pour remboursement ou avoir uniquement, un des logiciels d'application ou de système d'exploitation installé par Dell doivent retourner le système dans son intégralité, avec tous les supports et la documentation inclus dans la livraison d'origine.

Cette règle de retour « Satisfait ou remboursé » ne s'applique pas aux produits de stockage Dell | EMC. Elle ne s'applique pas non plus aux produits achetés par l'intermédiaire du service Dell de vente de logiciels et de périphériques. Pour ces produits, au lieu de faire référence à la règle de retour alors en vigueur du logiciel et des périphériques Dell (voir la section suivante « Logiciels et périphériques Dell »).

Logiciels et périphériques Dell

Produits logiciels et périphériques tiers

Tout comme les autres revendeurs de logiciels et périphériques, Dell ne garantit pas les produits tiers. Les produits logiciels et périphériques tiers sont uniquement couverts par les garanties offertes par le fabricant ou le revendeur initial de ces produits. Les garanties de fabricants tiers varient d'un produit à l'autre. Reportez-vous à la documentation de votre produit pour obtenir des informations spécifiques à la garantie. Contactez également le fabricant ou le revendeur si vous souhaitez des informations supplémentaires.

Comme Dell propose un grand choix de produits logiciels et périphériques, il nous est impossible de vérifier et de garantir de manière spécifique que tous les produits que nous proposons fonctionnent avec tout ou partie des différents modèles d'ordinateurs Dell, mais aussi de vérifier et de garantir que tous les produits que nous vendons fonctionnent correctement sur les centaines de marques d'ordinateurs disponibles aujourd'hui. Si vous avez des questions relatives à la compatibilité d'un produit, nous vous conseillons vivement de contacter directement le fabricant ou le revendeur à qui vous avez acheté le produit logiciel ou périphérique tiers.

Produits périphériques Dell

Dell offre une garantie limitée pour ses nouveaux produits périphériques (produits pour lesquels Dell est fabricant) tels que les moniteurs, les batteries, la mémoire, les stations d'accueil et les projecteurs). Pour déterminer quelle garantie limitée s'applique au produit que vous avez acheté, reportez-vous à la facture Dell et/ou à la documentation du produit qui accompagnait votre produit. Vous trouverez des descriptions des garanties limitées Dell dans les sections précédentes.

Règle de retour

Si, en qualité de client et utilisateur final, vous avez acheté des produits logiciels et périphériques Dell directement à une société Dell, vous êtes en droit de retourner à Dell ces produits, à l'état neuf, dans un délai de 30 jours à compter de la date de facturation pour un remboursement équivalent au prix d'achat des produits si ceux-ci ont déjà été payés. Ce remboursement ne comprend aucun frais d'expédition et de gestion figurant sur votre facture ; ces frais sont à votre charge.

Pour retourner les produits, vous devez appeler le Service Clientèle de Dell au 1-800-387-5759 qui vous fournira un numéro d'autorisation de retour pour crédit. Vous devez renvoyer les produits logiciels et périphériques à Dell dans leur emballage d'origine (qui doit être comme neuf), payer d'avance les frais d'expédition et assurer l'envoi ou accepter les risques de perte ou de dommage pendant l'acheminement.

Pour qu'un remboursement ou un remplacement soit possible, les produits renvoyés doivent être comme neufs, les logiciels ne doivent pas être ouverts et tous les guides, disquettes, CD, câbles d'alimentation et autres accessoires compris avec le produit doivent être renvoyés avec lui.

Déclaration de garantie Intel® pour les processeurs Pentium® et Celeron® seulement (États-Unis et Canada seulement)

Intel's Three Year Limited Warranty

Limited Warranty
Intel warrants that its family of Pentium® and Celeron® processors, if properly used and installed, will be free from defects in materials and workmanship and will substantially conform to Intel's publicly available specifications for a period of three (3) years after the date the Pentium or Celeron processor was purchased (whether purchased separately or as part of a computer system).

If the Pentium or Celeron processor, which is the subject of this Limited Warranty, fails during the warranty period for reasons covered by this Limited Warranty, Intel, at its option, will:

- REPAIR the Pentium or Celeron processor by means of hardware and/or software; OR
- REPLACE the Pentium or Celeron processor with another Pentium or Celeron processor; OR
- If Intel is unable to repair or replace the particular Pentium or Celeron processor,
- REFUND the full current value of the Pentium or Celeron processor.

THIS LIMITED WARRANTY, AND ANY IMPLIED WARRANTIES THAT MAY EXIST UNDER STATE LAW, APPLY ONLY TO THE ORIGINAL PURCHASER OF THE PENTIUM OR CELERON PROCESSOR, OR PENTIUM OR CELERON PROCESSOR-BASED COMPUTER AND LAST ONLY FOR AS LONG AS SUCH PURCHASER CONTINUES TO OWN THE PROCESSOR.

Extent of Limited Warranty
Intel does not warrant that your Pentium or Celeron processor will be free from design defects or errors known as "errata". Current characterized errata are available upon request. This limited warranty is for purchasers in the United States and Canada only. The limited warranty does not cover any costs relating to removal or replacement of any Pentium or Celeron processor that are sold or otherwise permanently affixed to your system's motherboard.

This limited warranty does not cover damage due to external causes, including accidents, problems with electrical power, usage not in accordance with product instructions, misuse, neglect, alteration, repair, improper installation, or improper testing.

How to Obtain Warranty Service
To obtain warranty service for your Pentium or Celeron processor, you may contact your computer system manufacturer in accordance with its instructions, or you may contact Intel.

To request warranty service from Intel, you should call Intel at 1-800-628-8686 during the warranty period during normal business hours (Pacific Time), excluding holidays. Please be prepared to provide:

- (1) your name, address, and telephone numbers;
- (2) proof of purchase;
- (3) this limited warranty card;
- (4) a description of the computer system including the brand and model; and
- (5) an explanation of the problem.

[Note: The Customer Service Representative may need additional information from you depending on the nature of the problem.]

The replacement processor is warranted under this written warranty and is subject to the same limitations and exclusions for the remainder of the original warranty period or one (1) year, whichever is longer.

WARRANTY LIMITATIONS AND EXCLUSIONS

THESE WARRANTIES REPLACE ALL OTHER WARRANTIES, EXPRESS OR IMPLIED INCLUDING BUT NOT LIMITED TO, THE IMPLIED WARRANTIES OF MERCHANTABILITY AND FITNESS FOR A PARTICULAR PURPOSE. INTEL MAKES NO EXPRESS WARRANTIES BEYOND THOSE STATED HERE. INTEL DISCLAIMS ALL OTHER WARRANTIES, EXPRESS OR IMPLIED, INCLUDING WITHOUT LIMITATION, IMPLIED WARRANTIES OF MERCHANTABILITY AND FITNESS FOR A PARTICULAR PURPOSE.

SOME LAWS DO NOT ALLOW THE EXCLUSION OF IMPLIED WARRANTIES SO THIS LIMITATION MAY NOT APPLY TO YOU. IF THESE LAWS APPLY, THEN ALL EXPRESS AND IMPLIED WARRANTIES ARE LIMITED IN DURATION TO THE LIMITED WARRANTY PERIOD. NO WARRANTIES APPLY AFTER THAT PERIOD. SOME LAWS DO NOT ALLOW LIMITATIONS ON HOW LONG AN IMPLIED WARRANTY LASTS, SO THIS LIMITATION MAY NOT APPLY TO YOU.

LIMITATIONS OF LIABILITY

INTEL'S RESPONSIBILITY UNDER THIS, OR ANY OTHER WARRANTY, IMPLIED OR EXPRESS, IS LIMITED TO REPAIR, REPLACEMENT OR REFUND, AS SET FORTH ABOVE. THESE REMEDIES ARE THE SOLE AND EXCLUSIVE REMEDIES FOR ANY BREACH OF WARRANTY. INTEL IS NOT RESPONSIBLE FOR INDIRECT, SPECIAL, INCIDENTAL, OR CONSEQUENTIAL DAMAGES RESULTING FROM ANY BREACH OF WARRANTY OR UNDER ANY OTHER LEGAL THEORY INCLUDING BUT NOT LIMITED TO, LOST PROFITS, DOWNTIME, GOODWILL, DAMAGE TO OR REPLACEMENT OF EQUIPMENT AND PROPERTY, AND ANY COSTS OF RESTORING, REPROGRAMMING, OR REPRODUCING ANY PROGRAM OR DATA STORED IN OR USED WITH A SYSTEM CONTAINING YOUR PENTIUM PROCESSOR. SOME JURISDICTIONS DO NOT ALLOW THE EXCLUSION OR LIMITATION OF INCIDENTAL OR CONSEQUENTIAL DAMAGES, SO THE ABOVE LIMITATIONS OR EXCLUSIONS MAY NOT APPLY TO YOU.

THIS LIMITED WARRANTY GIVES YOU SPECIFIC LEGAL RIGHTS, AND YOU MAY ALSO HAVE OTHER RIGHTS THAT VARY FROM JURISDICTION TO JURISDICTION.

**Intel Pentium® and Celeron® Processors are backed by a three-year limited warranty.
Please refer to the reverse side of this card for complete warranty details.**

Intel's Commitment to Quality

Intel is committed to producing the highest quality processors available. That's why we have hundreds of people dedicated to continuously improve our design, manufacturing, and testing technology.

We put every one of our Pentium® and Celeron® processors through a rigorous battery of tests during the design and manufacturing processes.

To verify that the new chip will correctly run the software written for Intel Architecture processors, a team of Intel engineers is dedicated to compatibility testing. In a state-of-art lab, this group runs an extensive set of operating systems, applications, network tests and stress tests repeatedly to ensure that the processor is compatible with representative software.

Just as importantly, we work with hardware and software companies in the computer industry to ensure that our processors are compatible with their products.

Additionally, a sampling of Intel processors are subjected to a rigorous "burn-in" test whereby the chip is operated at higher-than-normal temperatures and voltages. During this burn-in period, the processor experiences the equivalent of weeks of normal usage. These units are monitored for failures as part of our ongoing quality assurance process.

As a result, today's microprocessors from Intel are among the most reliable components in computers.

What are 'Errata'?

Exhaustive product testing can highlight differences between the actual behavior of the microprocessor and its specifications. Sometimes the discrepancies are caused by a design defect or error, which we call *errata*. Rigorous validation identifies most errata during the development of the processor, but we do detect additional errata during the life cycle of a microprocessor.

When an erratum is identified, our engineers work to characterize it and find a solution. We work with system designers and software developers to ensure that the discrepancy does not affect their products. If necessary, special software or hardware solutions (sometimes known as "work arounds") are implemented in the system design to prevent computer users from encountering the problem. Errata may then be corrected in future revisions of the microprocessor.

No microprocessor is perfect, and Intel recognizes that some consumers want to know about any errata, whether or not the errata affect them. Intel makes documentation of all characterized Pentium and Celeron processor errata publicly available through our Technical Documentation Service.

At Intel, our goal is to make every computer user satisfied with his or her Pentium or Celeron processor. Should you have any questions, comments or concerns about your Intel microprocessor, please call us at 1-800-628-6555.




©1997, 1998 Intel Corporation. All rights reserved.

Sistemas Dell™ OptiPlex™ SX

Guía de configuración y de referencia rápida



Notas, avisos y precauciones

-  **NOTA:** Una NOTA proporciona información importante que le ayuda a utilizar su equipo de la mejor manera posible.
-  **AVISO:** Un AVISO indica un posible daño en el hardware o la pérdida de datos y le explica cómo evitar el problema.
-  **PRECAUCIÓN:** Una PRECAUCIÓN indica un posible daño material, lesión corporal o muerte.

Abreviaturas y acrónimos

Para obtener una lista completa de abreviaturas y acrónimos, consulte el “Glosario” de la *Guía del usuario*.

Si ha adquirido un equipo Dell™ n Series, no podrá aplicar ningún de las referencias al sistema operativo Microsoft® Windows® que aparece en este documento.

La información contenida en este documento puede modificarse sin aviso previo.
© 2002–2003 Dell Computer Corporation. Reservados todos los derechos.

Queda estrictamente prohibida la reproducción de este documento de cualquier manera sin la autorización por escrito de Dell Computer Corporation.

Marcas comerciales utilizadas en este texto: *Dell*, *OptiPlex* y el logotipo de *DELL* son marcas comerciales de Dell Computer Corporation; *Microsoft* y *Windows* son marcas comerciales registradas de Microsoft Corporation; *Intel*, *Pentium* y *Celeron* son marcas comerciales registradas de Intel Corporation.

Este documento puede incluir otras marcas registradas y nombres comerciales para referirse a las entidades que son propietarias de los mismos o a sus productos. Dell Computer Corporation renuncia a cualquier interés sobre la propiedad de marcas y nombres comerciales que no sean los suyos.

Mayo de 2003 N/P 1U919 Rev. A02

Contenido

Acerca de esta guía	83
Características	83
PRECAUCIÓN: instrucciones de seguridad	85
General	85
Cuando utilice el equipo	87
Al trabajar en el interior de su equipo	87
Protección contra descargas electrostáticas	88
Hábitos ergonómicos cuando utilice el equipo	89
Cómo desechar las baterías	89
Introducción e instalación	90
Determine la colocación y orientación del equipo	90
Instalación de un dispositivo en el compartimiento modular	91
Acoplamiento de la base	92
Conexión del adaptador de CA	93
Conexión de dispositivos externos	94
Acoplamiento de la cubierta de los cables	95
Acoplamiento de la base a la placa de montaje	96
Localización de información y asistencia	99
Solución de problemas	101
Uso del CD Drivers and Utilities (Controladores y utilidades) de Dell	102
Cómo ejecutar los Diagnósticos Dell	103
Ejecución de las pruebas IDE Hard-Drive Diagnostics (Diagnósticos de disco duro IDE) de Dell	105

Información sobre normativas	105
Clase A	106
Clase B	106
Información de la NOM (sólo para México)	107
Garantía limitada y política de devolución	109
Garantía de un año del fabricante para el usuario final (sólo para Latinoamérica y el área del Caribe)	109
Intel® Declaración de garantía sólo para los procesadores Pentium® y Celeron® (sólo Estados Unidos y Canadá)	110

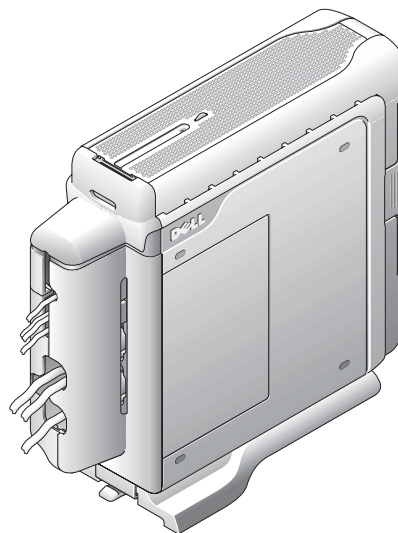
Acerca de esta guía

Este documento contiene una introducción, así como información sobre configuración, solución de problemas, seguridad, regulaciones y condiciones de la garantía de su equipo OptiPlex™ de Dell™.

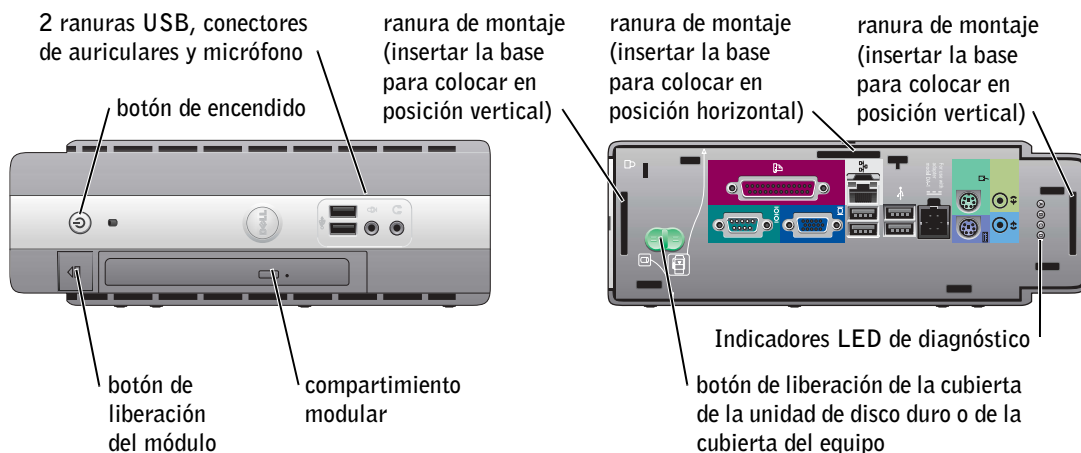
Para obtener la versión más actualizada de los documentos en la unidad de disco duro, vaya al sitio Web Dell | Support en la dirección support.dell.com.

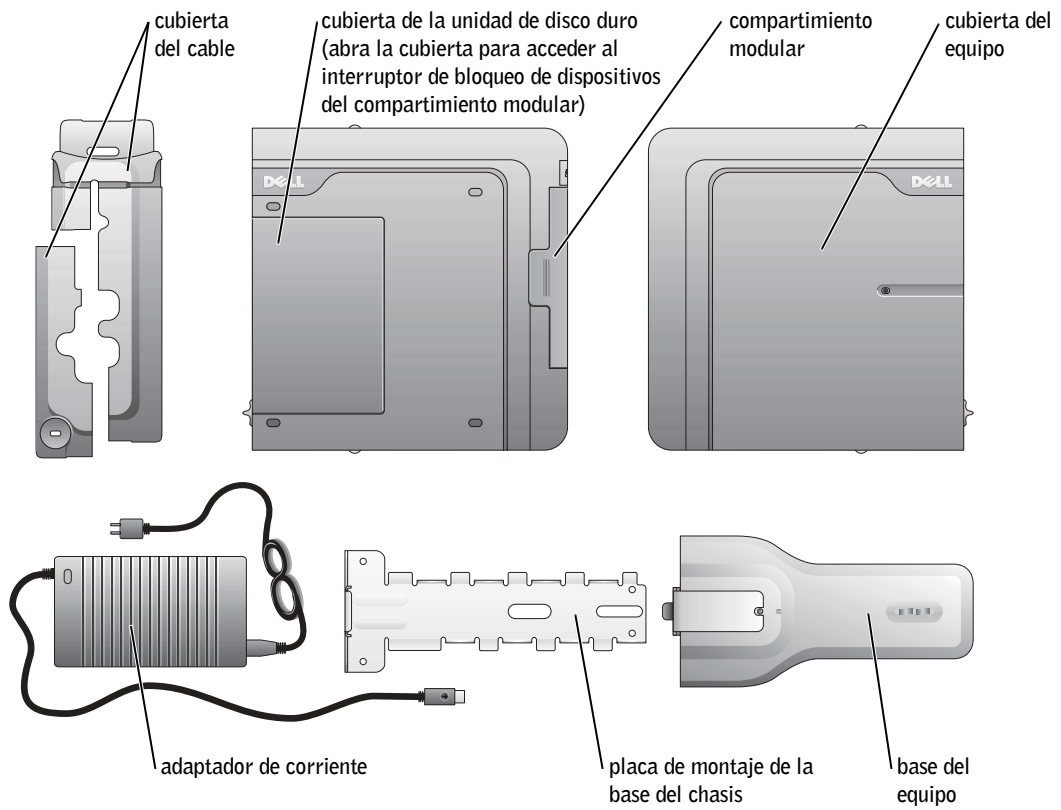
Número de modelo reglamentario y tipo de chasis

DCT = equipo de factor de forma ultra pequeño (USE, ultra small form-factor)



Características





PRECAUCIÓN: instrucciones de seguridad

Aplique las siguientes pautas de seguridad para garantizar su propia seguridad personal y para ayudarle a proteger el equipo y su entorno de trabajo contra posibles daños.

General

- No intente reparar el equipo usted mismo a menos que sea una persona del servicio técnico cualificado. Siga siempre exactamente las instrucciones de instalación.
- Para prevenir una descarga eléctrica, enchufe el equipo y los cables de alimentación de los dispositivos a suministros de energía con toma de tierra. Estos cables están equipados con enchufes de 3 bornes para garantizar una toma de tierra adecuada. No utilice enchufes adaptadores ni retire el borne de toma de tierra del enchufe. Si debe utilizar un alargador, utilice un cable de tres hilos con enchufe con toma de tierra.



- Para evitar el peligro potencial de descargas eléctricas, no use el equipo durante las tormentas eléctricas.
- Para evitar el peligro potencial de sufrir una descarga eléctrica, no conecte ni desconecte ningún cable ni realice el mantenimiento o la reconfiguración de este producto en el transcurso de una tormenta eléctrica.
- Si el equipo incluye un módem, el cable utilizado con el módem debe poseer un tamaño mínimo de 26 AWG (American wire gauge, calibre de alambre americano) y un enchufe modular RJ-11 que cumpla el estándar de la Comisión Federal de Comunicaciones-(FCC, del inglés Federal Communications Commission).
- Antes de limpiar el equipo, desconéctelo del enchufe eléctrico. Limpie el equipo con un paño suave humedecido en agua. No utilice ningún líquido limpiador o aerosol que pudiera contener sustancias inflamables.
- Para evitar un posible daño en la placa base, una vez apagado el equipo, espere 5 segundos antes de desconectar los dispositivos de éste.



PRECAUCIÓN: instrucciones de seguridad (*continuación*)

- Para evitar posibles descargas eléctricas al desconectar un cable de red, desconecte primero el cable del adaptador de red de la parte posterior del equipo y, a continuación, del enchufe de red. Cuando vuelva conectar un cable de red al equipo, conecte primero dicho cable al enchufe de red de la pared y después al adaptador de red.
- Para proteger el equipo contra las subidas y bajadas de tensión transitorias, utilice un supresor de sobrevoltaje, un acondicionador de línea o un sistema de energía ininterrumpida (UPS).
- Asegúrese de que no haya nada sobre los cables del equipo y que éstos no estén situados dónde se puedan pisar o sea fácil tropezar con ellos.
- No inserte ningún objeto en los orificios del equipo. Si lo hace y hubiera un cortocircuito en los componentes internos, se podría ocasionar un incendio o una descarga eléctrica.
- Mantenga alejado el equipo de los radiadores u otras fuentes de calor. Asimismo, no bloquee las rejillas de ventilación. Evite poner papeles bajo el equipo; no lo coloque en una unidad encastrada en la pared ni sobre una cama, un sofá o una alfombra.
- No derrame alimentos o líquidos sobre el equipo. Si el equipo se moja, consulte la *Guía del usuario*.
- No use el equipo durante una tormenta eléctrica a no ser que el adaptador de CA esté desconectado del enchufe eléctrico.
- Cuando utilice el adaptador de CA para alimentar el equipo, coloque el adaptador en una zona bien ventilada, por ejemplo sobre un escritorio o en el suelo.
- El adaptador de CA puede que se caliente durante un funcionamiento normal del equipo. Tenga cuidado al manejar el adaptador durante o inmediatamente después de su uso.

Cuando utilice el equipo

Cuando utilice el equipo, observe las siguientes pautas de seguridad:

⚠ PRECAUCIÓN: No utilice el equipo si tiene alguna cubierta quitada (incluidos biseles, soportes de relleno, cubiertas del equipo, carátulas del panel anterior, etc.).

- El equipo dispone de los siguientes elementos:
 - Un suministro de energía de voltaje fijo: los equipos con suministros de energía de voltaje fijo no tienen un interruptor de selección de voltaje en el panel posterior y funcionan a un único voltaje (consulte la etiqueta reglamentaria de la parte exterior del equipo para comprobar su voltaje de funcionamiento).
 - Un circuito de voltaje de detección automática: los equipos con un circuito de voltaje de detección automática no tienen un interruptor de selección de voltaje en el panel posterior y averiguan automáticamente el voltaje de funcionamiento correcto.
 - Un interruptor de selección de voltaje manual: los equipos con un interruptor de selección de voltaje en el panel posterior se deben configurar manualmente para que funcionen al voltaje correcto.



➡ AVISO: Para evitar que se dañe un equipo con un interruptor de selección de voltaje manual, ajuste el interruptor seleccionando el voltaje que más se asemeje a la alimentación de CA de su zona. Para Japón, el interruptor de selección de voltaje se debe ajustar a la posición de 115 V incluso si la alimentación de CA utilizada en Japón es de 100 V. Asimismo, asegúrese de que el monitor y los dispositivos conectados tienen una clasificación eléctrica adecuada para funcionar con la alimentación de CA utilizada en su zona.

- Antes de trabajar en el interior del equipo, desenchúfelo para evitar una descarga eléctrica o que se dañe la placa base. Algunos componentes de la placa base continúan recibiendo alimentación si el equipo está conectado al suministro de energía de CA.

Al trabajar en el interior de su equipo

Antes de abrir la cubierta del equipo, siga estos pasos en el mismo orden en que se indican.

⚠ PRECAUCIÓN: No intente reparar el equipo usted mismo, salvo si lo hace tal y como se explica en la documentación o las instrucciones de Dell™ proporcionadas en línea o en otro soporte. Siga exactamente las instrucciones de instalación y servicio.

➡ AVISO: Para evitar un posible daño en la placa base, una vez apagado el equipo, espere 5 segundos antes de quitar un componente de la placa base o de desconectar un dispositivo del equipo.

Cuando utilice el equipo (*continuación*)

- 1 Apague el equipo de manera correcta, a través del menú del sistema operativo.
- 2 Apague el equipo y los dispositivos conectados a él.
- 3 Conéctese a tierra tocando una superficie metálica sin pintar del chasis, por ejemplo el metal que rodea las aberturas de las ranuras para tarjetas de la parte posterior del equipo, antes de tocar cualquier componente interno de éste.

Mientras trabaja, toque periódicamente una superficie metálica no pintada del chasis del equipo para disipar cualquier electricidad estática que pudiera dañar los componentes internos.

- 4 Desconecte el equipo y los dispositivos, incluido el monitor, de sus enchufes eléctricos. Además, desconecte cualquier línea telefónica o de telecomunicación del equipo.

De este modo se reducirá la posibilidad de daños personales o de descarga eléctrica.

A su vez, tenga en cuenta estas pautas de seguridad cuando proceda:

- Cuando desconecte un cable, tire del conector o del protector, no tire directamente del cable. Algunos cables tienen un conector con lengüetas de bloqueo; si desconecta este tipo de cable, presione las lengüetas de bloqueo antes de desconectarlo. Cuando desenchufe los conectores, manténgalos alineados para evitar que se doblen las patas. Asimismo, antes de conectar un cable, asegúrese de que los dos conectores estén orientados y alineados correctamente.
- Maneje los componentes y las tarjetas con cuidado. No toque los componentes o los contactos de una tarjeta. Sostenga la tarjeta por sus extremos o por su soporte de montaje metálico. Sujete un componente (por ejemplo, un chip del microprocesador) por los bordes, no por las patas.



PRECAUCIÓN: Existe peligro de explosión si una batería nueva se instala incorrectamente. Sustituya la batería únicamente por una del mismo tipo o de un tipo equivalente recomendado por el fabricante. No tire las baterías con la basura doméstica. Póngase en contacto con su agencia local de eliminación de residuos para obtener la dirección del contenedor de baterías más cercano.

Protección contra descargas electrostáticas

La electricidad estática puede dañar los delicados componentes que hay en el interior del equipo. Para evitar el daño por descargas electrostáticas, antes de tocar cualquiera de los componentes electrónicos del equipo, descargue la electricidad estática de su cuerpo. Para ello, toque una superficie metálica no pintada del chasis del equipo.

A medida que continúe trabajando en el interior del equipo, toque periódicamente una superficie metálica no pintada para descargar la energía estática que se haya podido acumular en su cuerpo.


Cuando utilice el equipo (*continuación*)

Asimismo, puede observar las siguientes medidas para prevenir los posibles daños por descargas electrostáticas (ESD):

- No saque los componentes de su embalaje antiestático hasta que vaya a instalarlos en el equipo. Justo antes de abrir los embalajes antiestáticos, descargue la electricidad estática de su cuerpo.
- Cuando transporte un componente sensible a la electricidad estática, colóquelo en un contenedor o embalaje antiestático.
- Manipule todos los componentes sensibles a la electricidad estática en un área libre de ésta. Si es posible, utilice alfombrillas antiestáticas en el suelo y en la mesa de trabajo.

Hábitos ergonómicos cuando utilice el equipo

 **PRECAUCIÓN: El uso inadecuado o prolongado del teclado puede ser nocivo.**

 **PRECAUCIÓN: La visualización de la pantalla del monitor durante largos períodos de tiempo puede producir fatiga visual.**

Por comodidad y eficacia, observe las pautas ergonómicas que se indican en la *Guía del usuario* cuando configure y use el equipo.



Cómo desechar las baterías

El equipo utiliza una batería de celda de litio del espesor de una moneda. Esta batería es de larga duración y es muy posible que nunca necesite reemplazarla. Sin embargo, si tuviera que reemplazarla, consulte la *Guía del usuario*.

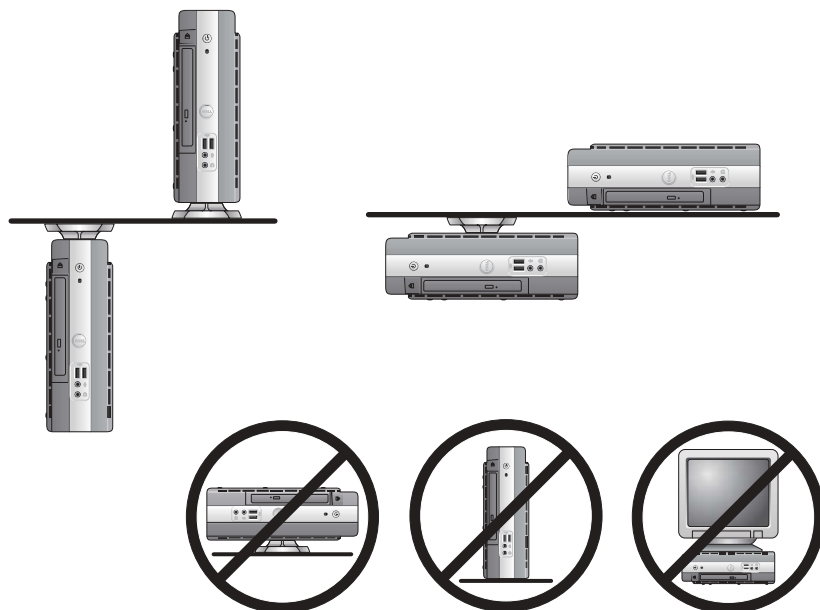
No tire las baterías con la basura doméstica. Póngase en contacto con su agencia local de eliminación de residuos para obtener la dirección del contenedor de baterías más cercano.

Introducción e instalación

- AVISO:** No encienda el equipo hasta que haya finalizado todos los pasos de instalación.

1 Determine la colocación y orientación del equipo


NOTA: Si desea colocar el equipo horizontal o verticalmente debajo de una mesa o escritorio, consulte "Acoplamiento de la base" en la página 92 y "Acoplamiento de la base a la placa de montaje" en la página 96.

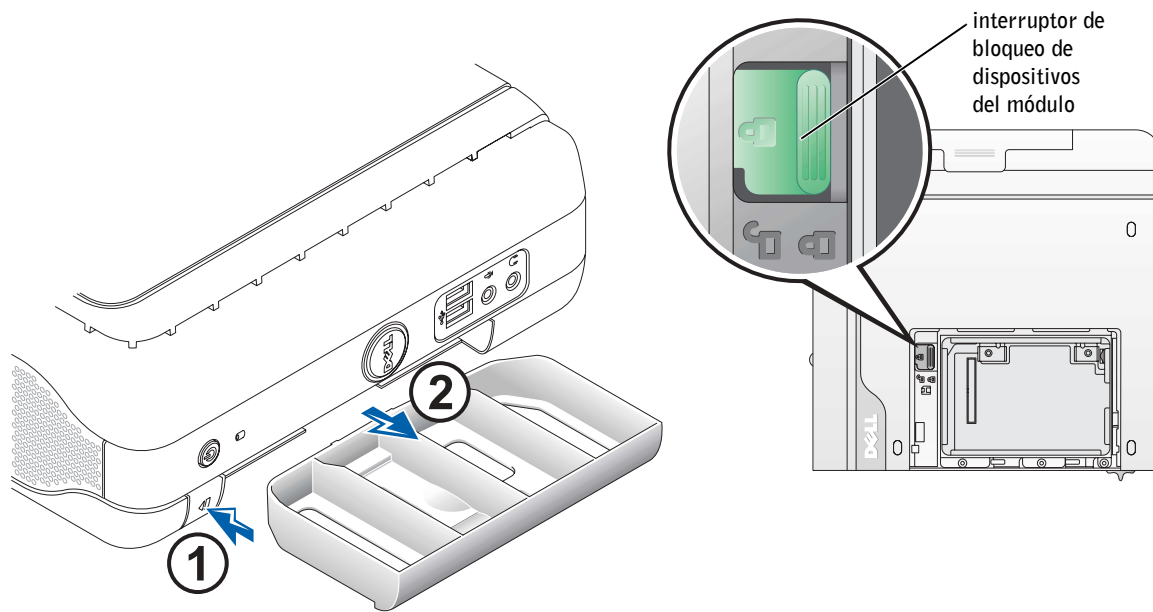


- AVISO:** No coloque el monitor sobre el equipo. Use una base para el monitor.
- AVISO:** En un entorno donde se producen fuertes vibraciones o cuando esté instalando el ordenador, use el soporte de pared opcional en lugar del soporte del chasis. Para pedir este soporte, póngase en contacto Dell.
- AVISO:** A fin de garantizar una ventilación apropiada, no coloque el equipo en posición vertical sobre un escritorio sin utilizar la base del chasis (consulte la sección "Acoplamiento de la base").
- AVISO:** Para garantizar una ventilación adecuada, no bloquee las rejillas de ventilación.

2 Instalación de un dispositivo en el compartimiento modular

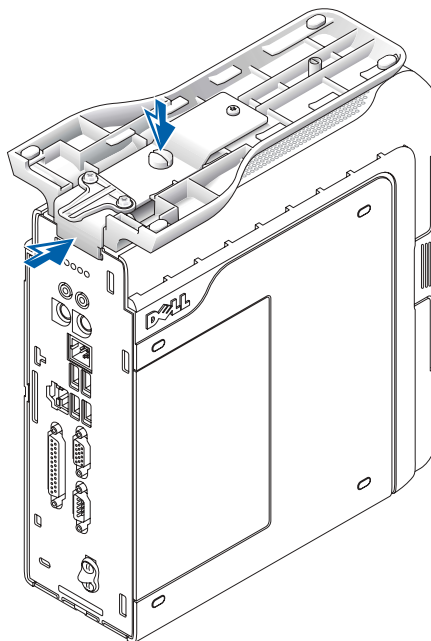
El equipo Dell™ se comercializa con una unidad de disco o un compartimiento para unidades vacío en el compartimiento modular. Para instalar una unidad de CD, DVD o una segunda unidad de disco duro en el compartimiento modular, quite primero el compartimiento para unidades vacío y, a continuación, instale el dispositivo.

 **NOTA:** Para localizar el interruptor de bloqueo de dispositivos del módulo, quite la cubierta de la unidad de disco duro.



NOTA: Si va a instalar el equipo bajo una mesa o escritorio, enchufe todos los cables y, a continuación acople la base a la placa de montaje (consulte "Acoplamiento de la base a la placa de montaje" en la página 96).


3 Acoplamiento de la base




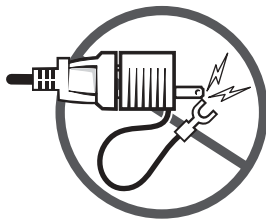
- 1 Eleve el tornillo cautivo y deslice la regleta de la base del chasis dentro de una de las tres ranuras de montaje situadas en la parte posterior del equipo.
 - 2 En cuanto la base quede acoplada, apriete el tornillo.
- AVISO:** Si el equipo se encuentra debajo de una mesa o escritorio y en ese lugar se producen fuertes vibraciones, use el soporte de pared opcional en lugar de la base del equipo.

4 Conexión del adaptador de CA

- 1 Conecte el adaptador de alimentación al conector en la parte posterior del equipo.
- 2 Conecte el cable de alimentación al adaptador de alimentación.

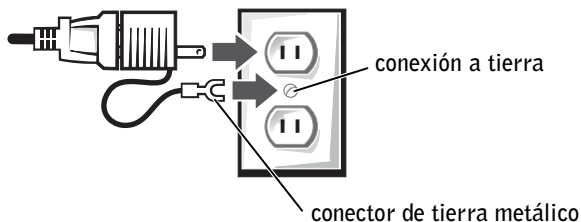
 **AVISO:** Los siguientes pasos sólo se aplican a Japón.

 **PRECAUCIÓN:** Si decide conectar el hilo verde de tierra a un enchufe eléctrico, *no permita* que haya contacto entre dicho hilo de tierra y las clavijas de alimentación. Esto podría provocar una descarga eléctrica o un incendio o causar daño al equipo (consulte la siguiente figura).




Si decide *no* conectar el hilo verde de tierra a un enchufe eléctrico, vaya al paso 4.

- 3 Enchufe el conector de tierra metálico a la conexión de tierra del enchufe (consulte la siguiente figura):
 - a Afloje la conexión a tierra.
 - b Deslice el conector de tierra metálico tras la conexión a tierra y, a continuación, vuelva a apretar ésta.

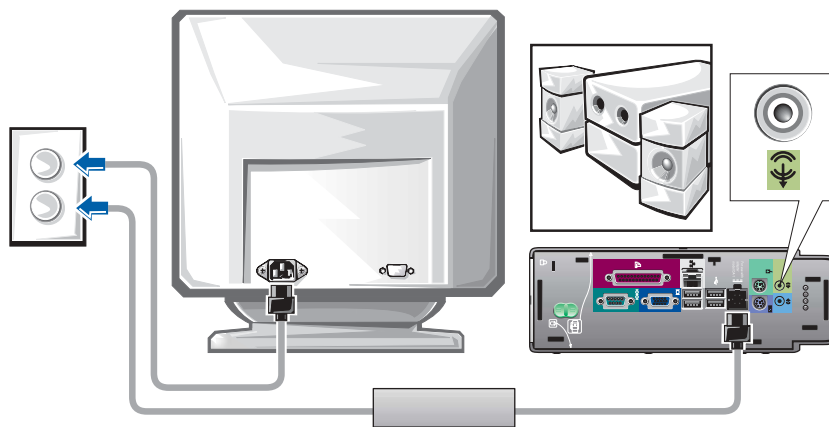
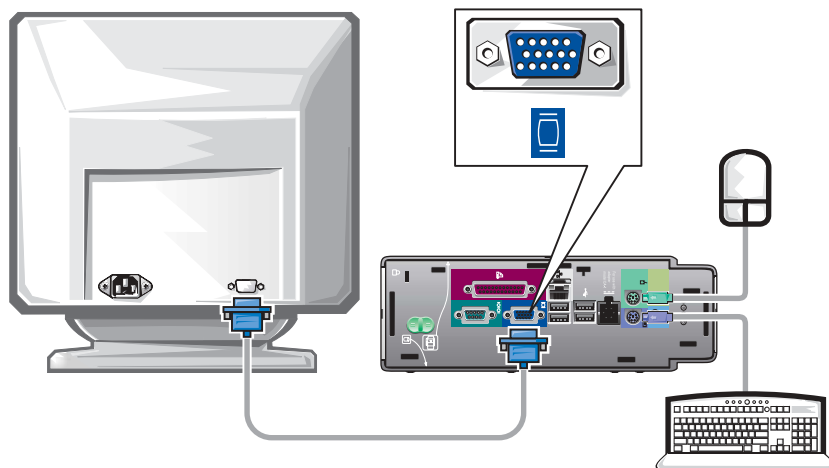


- 4 Conecte el cable de alimentación de CA al enchufe.

 **NOTA:** El indicador LED del adaptador de alimentación se iluminará cuando el adaptador esté conectado correctamente a un enchufe de pared y al equipo.

5 Conexión de dispositivos externos

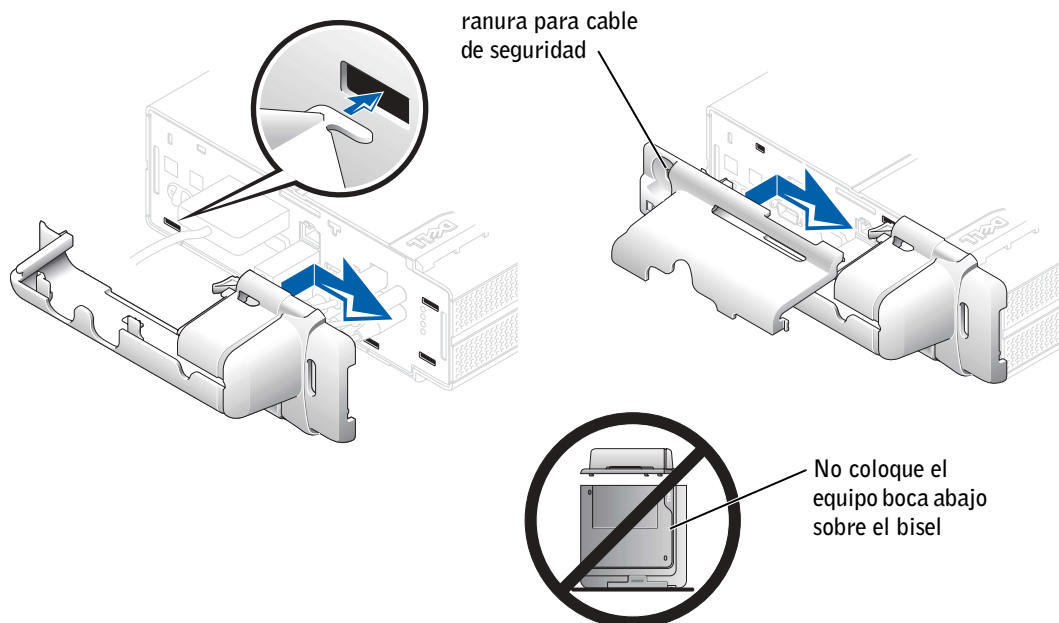
NOTA: Conecte sólo un teclado y un ratón.



PRECAUCIÓN: Para evitar en lo posible descargas eléctricas, use únicamente el adaptador de corriente y el cable de alimentación proporcionados y asegúrese de que están enchufados a un suministro de energía conectado a tierra.

6 Acoplamiento de la cubierta de los cables

- ➡ **AVISO:** Si va a instalar el ordenador debajo de un escritorio o una mesa, no conecte el cable hasta que el ordenador esté conectado firmemente a la placa de montaje (consulte el paso 7, "Acoplamiento de la base a la placa de montaje" en la página 96).
- ➡ **AVISO:** Si utiliza la base en el equipo, acople la base antes de colocar la cubierta de los cables.

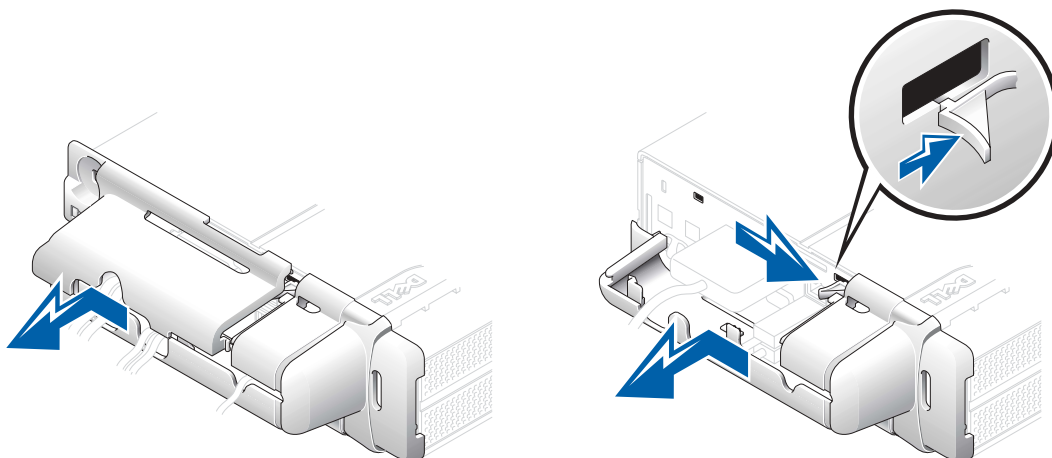


- ➡ **AVISO:** Al colocar la cubierta de los cables, no sitúe el equipo boca abajo de modo que quede en contacto con una superficie dura. Si lo hace, podría presionarse el botón de encendido y rayarse el exterior del equipo.
- 1 Conecte todos los cables a la parte posterior del equipo.
 - 2 Sostenga la pieza inferior de la cubierta de los cables y alinee las cuatro lengüetas con las cuatro ranuras del panel posterior del equipo.
 - 3 Inserte las lengüetas en las ranuras y deslice la pieza hacia los indicadores de diagnóstico (consulte la ilustración) hasta que quede bien sujeta.
 - 4 Sujete la pieza superior de la cubierta de los cables y alinee las dos lengüetas con las dos ranuras del panel posterior del equipo.



- 5 Inserte las lengüetas en las ranuras y deslice la pieza hacia los indicadores de diagnóstico (consulte la ilustración).
- 6 Instale un dispositivo de seguridad en la ranura del cable de seguridad (opcional).

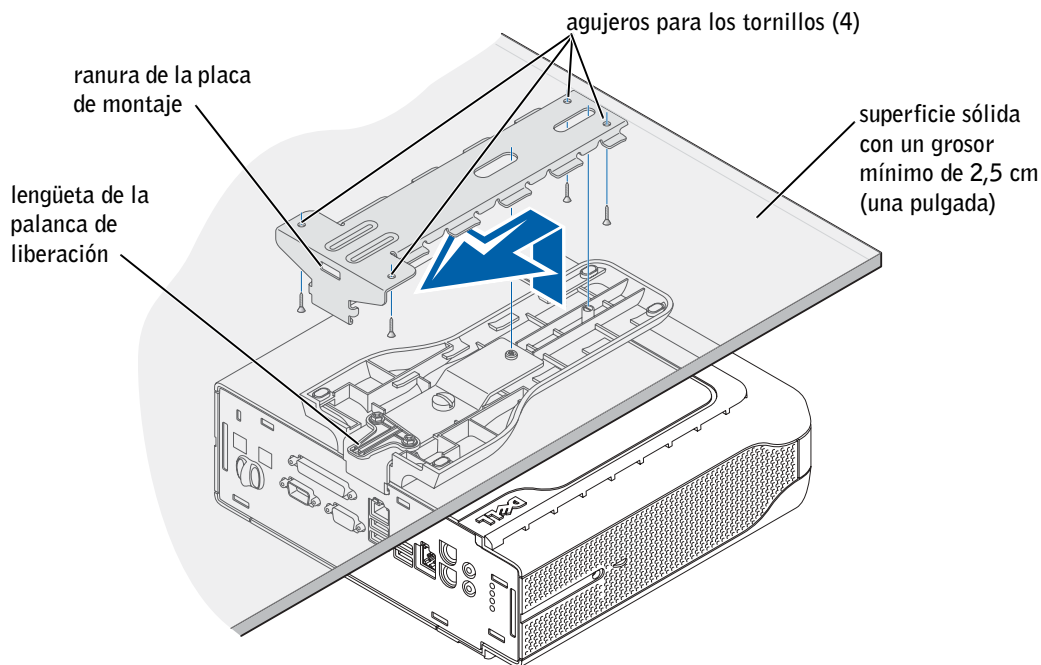
Para retirar la cubierta de los cables, extraiga el dispositivo instalado en la ranura del cable de seguridad (opcional).

- 1 Sujete la pieza superior de la cubierta de los cables, deslícela hacia la izquierda hasta que se detenga y, a continuación, levántela y retírela.
- 2 Para extraer la pieza inferior de la cubierta de los cables, mientras mantiene presionada la palanca, deslice la pieza hacia la izquierda hasta que se detenga y, a continuación, levántela y retírela.



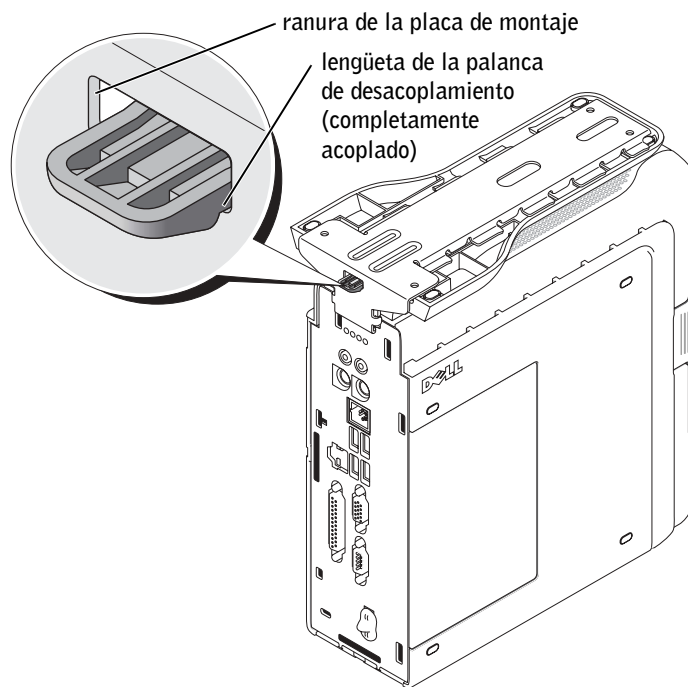
7 Acoplamiento de la base a la placa de montaje

-  **AVISO:** En instalaciones realizadas debajo de una mesa u otra superficie, evite las zonas en las que las piernas o la silla del usuario puedan golpear el equipo.
-  **PRECAUCIÓN:** Acople la placa de montaje a una superficie sólida capaz de soportar 18,1 kg de peso.



- 1 Con los cuatro tornillos de madera del n° 6 (de 15,88 mm) suministrados, acople la placa de montaje a una superficie sólida con un grosor mínimo de 2,5 cm.
- 2 Coloque el equipo y la base debajo de la placa de montaje a aproximadamente 2,5 cm de su borde.
- ➡ **AVISO:** Asegúrese de que encaja firmemente lengüeta de la palanca de desacoplamiento en la ranura de la placa de montaje.
- 3 Levante el equipo y la base, inserte esta última en el soporte de montaje y deslice la base hasta que la lengüeta de la palanca de liberación quede insertada en la ranura de la placa de montaje.

NOTA: Antes de acoplar la placa de montaje a una superficie, oriéntese primero con respecto a la posición en la que se acoplará la base a la placa de montaje.



4 Coloque la cubierta de los cables (si la utiliza).

AVISO: Cuando haya terminado de instalar el equipo, dirija todos los cables hacia la parte posterior del área de trabajo para evitar tirones, enredos o pisotones.

8 Encienda el equipo, lea el contrato de licencia de software y siga las instrucciones de instalación del sistema operativo que aparecen en la pantalla.

9 Enhorabuena. Ya ha terminado de instalar el sistema.

Localización de información y asistencia

Si busca

- Un programa de diagnóstico para el equipo
- Controladores para el equipo
- La documentación del equipo
- La documentación del dispositivo

Aquí lo encontrará

El CD *Drivers and Utilities* (Controladores y utilidades), (también conocido como *ResourceCD* [CD de recursos])



Puede utilizar este CD para acceder a la documentación, volver a instalar los controladores o ejecutar las herramientas de diagnóstico.

-
- Código de servicio rápido y número de etiqueta de servicio
 - Etiqueta de licencia de Microsoft® Windows®

Código de servicio rápido y clave del producto



Se encuentran en el equipo.

-
- Cómo quitar y sustituir componentes
 - Especificaciones técnicas
 - Cómo configurar los valores de configuración del sistema
 - Cómo diagnosticar y solucionar problemas

Guía del usuario



Según el sistema operativo, haga doble clic en el icono **User's Guides** (Guías del usuario) del escritorio o bien en el botón **Start** (Inicio) y, después, haga clic en **Help and Support** (Ayuda y soporte técnico) para acceder a la documentación almacenada en la unidad de disco duro.

Si busca

- Cómo volver a instalar el sistema operativo

Aquí lo encontrará

CD del sistema operativo y Guía de instalación

Si vuelve a instalar el sistema operativo, utilice el CD *Drivers and Utilities (Controladores y utilidades)* para volver a instalar los controladores de los dispositivos incluidos en el equipo en el momento de su compra.

- Controladores actualizados para el equipo
- Respuesta a preguntas relacionadas con la asistencia y el servicio técnico
- Conversaciones en línea con otros usuarios y asistencia técnica
- Documentación del equipo

Sitio Web Dell | Support

El sitio Web Dell | Support proporciona varias herramientas en línea, incluidas:

- Knowledge Base: consejos, sugerencias y cursos en línea
- Customer Forum: conversaciones en línea con otros clientes de Dell
- Actualizaciones: información de actualización para componentes, como la memoria, la unidad de disco duro y el sistema operativo
- Atención al cliente: información de contacto, así como información sobre el estado de los pedidos, la garantía y las reparaciones
- Descargas: controladores, revisiones y actualizaciones de software
- Referencia: documentación del equipo, especificaciones del producto y otros documentos

- Estado de la llamada de reparación
- Principales problemas técnicos del equipo
- Preguntas frecuentes
- Descargas de archivos
- Detalles de la configuración del equipo
- Contrato de servicio del equipo

Sitio Web Dell Premier Support (asistencia preferente)

El sitio Web Dell Premier Support está personalizado para empresas e instituciones gubernamentales y educativas. Es posible que este sitio no esté disponible en todos los países o regiones.

Si busca	Aquí lo encontrará
<ul style="list-style-type: none"> • Cómo utilizar Windows XP • Documentación del equipo y de los dispositivos 	<p>Centro de ayuda y soporte técnico de Windows XP</p> <ol style="list-style-type: none"> 1 Haga clic en el botón Start (Inicio) y, a continuación, en Help and Support (Ayuda y soporte técnico). 2 Escriba una palabra o frase que describa el problema y, a continuación, haga clic en el icono de la flecha. 3 Haga clic en el tema que describa el problema. 4 Siga las instrucciones que aparecen en pantalla.

Solución de problemas

Dell proporciona una serie de herramientas para ayudarle en el caso de que el equipo no funcione como es de esperar. Para obtener la información más reciente sobre solución de problemas de su equipo, consulte el sitio Web Dell | Support en la dirección support.dell.com. También encontrará descripciones de las herramientas de solución de problemas de Dell en la sección “Obtención de ayuda” de la *Guía del usuario* en línea.

Si se produce algún problema en el equipo que necesite la ayuda de Dell, escriba una descripción detallada del error, los códigos de sonido o los patrones de los indicadores de diagnóstico, anote el código de servicio rápido y el número de etiqueta de servicio que aparece a continuación y póngase en contacto con Dell desde la misma ubicación que el equipo.

Consulte “Localización de información y asistencia” en la página 99 para obtener un ejemplo de el código de servicio rápido y de los números de etiqueta de servicio.

Código de servicio rápido: _____

Número de la etiqueta de servicio: _____

El equipo incluye las siguientes herramientas de ayuda para la solución de problemas:

Diagnósticos Dell — Los Diagnósticos Dell prueban varios componentes del equipo y ayudan a identificar la causa de los problemas de éste. Para obtener más información, consulte “Cómo ejecutar los Diagnósticos Dell” en la página 103.

Las siguientes funciones pueden indicar un posible fallo y ayudar a solucionar problemas del equipo. Consulte la *Guía del usuario* para obtener más información. —

Indicadores del sistema — Situados en la parte anterior del equipo


Indicadores de diagnóstico — Situados en la parte posterior del equipo

Mensajes del sistema — Aparecen en la pantalla del monitor

Códigos de sonido — Una serie de sonidos audibles emitidos por el equipo

Uso del *CD Drivers and Utilities* (Controladores y utilidades) de Dell

Para utilizar el *CD Drivers and Utilities* (Controladores y utilidades) de Dell mientras trabaja con el sistema operativo Microsoft® Windows®, lleve a cabo estos pasos.

 **NOTA:** Para acceder a los controladores del dispositivo y a la documentación del usuario, debe utilizar el *CD Drivers and Utilities* (Controladores y utilidades) mientras ejecuta Windows.

- 1 Encienda el equipo y permita que se inicie en el escritorio de Windows.
- 2 Inserte el *CD Drivers and Utilities* (Controladores y utilidades) de Dell en la unidad de CD.

Si utiliza el *CD Drivers and Utilities* (Controladores y utilidades) por primera vez en este equipo, la ventana de instalación le informará de que el CD va a comenzar la instalación.

- 3 Haga clic en **OK** (Aceptar) para continuar.
Para finalizar la instalación, responda a los mensajes mostrados por el programa de instalación.
- 4 Haga clic en **Next** (Siguiente) en la pantalla **Welcome Dell System Owner** (Bienvenido al propietario de sistema Dell).
- 5 Seleccione el **System Model** (Modelo del sistema), **Operating System** (Sistema operativo), **Device Type** (Tipo de dispositivo) y **Topic** (Tema) adecuados.

Controladores para el equipo

Para mostrar una lista de los controladores de dispositivos para el equipo, lleve a cabo estos pasos:

- 1 Haga clic en **My Drivers** (Mis controladores) en el menú descendente **Topic** (Tema).

El CD *Drivers and Utilities* (Controladores y utilidades) examina el hardware y el sistema operativo del equipo y, a continuación, muestra una lista de controladores de dispositivos para la configuración del sistema en la pantalla.

- 2 Haga clic en el controlador adecuado y siga las instrucciones para descargarlo al equipo.

Para ver todos los controladores disponibles para el equipo, haga clic en **Drivers** (Controladores) en el menú descendente **Topic** (Tema).

Cómo ejecutar los Diagnósticos Dell

Los Diagnósticos Dell son un programa que prueba varios componentes del equipo. Ejecute este programa siempre que tenga un problema en el equipo para que le ayude a identificar el origen de dicho problema. Puede ejecutarlo desde la unidad de disco duro o desde el CD *Drivers and Utilities* (Controladores y utilidades).

Desde la unidad de disco duro:



AVISO: Si el disco duro falla, ejecute los Diagnósticos de disco duro IDE de Dell (consulte "Ejecución de las pruebas IDE Hard-Drive Diagnostics (Diagnósticos de disco duro IDE) de Dell" en la página 105).

- 1 Apague y reinicie el equipo.
- 2 Cuando aparezca el logotipo de DELL™, presione <F12> inmediatamente.



NOTA: Si recibe un mensaje indicando que no se ha encontrado ninguna partición para la utilidad de diagnóstico, siga las instrucciones para ejecutar los Diagnósticos Dell desde el CD *Drivers and Utilities* (Controladores y utilidades).

Si espera demasiado y aparece el logotipo de Windows, siga esperando hasta que aparezca el escritorio de Windows. A continuación, cierre el equipo mediante el menú **Start** (Inicio) e inténtelo de nuevo.

- 3 Cuando aparezca la lista de dispositivos de inicio, resalte **Boot to Utility Partition** (Iniciar en la partición de la utilidad) y presione <Intro>.
- 4 Cuando aparezca la opción Main Menu (Menú principal) de los Diagnósticos Dell, seleccione la prueba que desea ejecutar.
- 5 Cierre la pantalla de la prueba para volver a la pantalla **Main Menu** (Menú principal). Para salir de los Diagnósticos Dell y reiniciar el equipo, cierre la pantalla **Main Menu** (Menú principal).

Desde el CD *Drivers and Utilities* (Controladores y utilidades):

- 1 Inserte el CD *Drivers and Utilities* (Controladores y utilidades) en la unidad de CD.

- 2 Apague y reinicie el equipo.

Cuando aparezca el logotipo de DELL, presione <F12> inmediatamente.

Si espera demasiado y aparece el logotipo de Windows, siga esperando hasta que vea el escritorio de Windows. A continuación, cierre el equipo mediante el menú **Start** (Inicio) e inténtelo de nuevo.

- 3 Cuando aparezca la lista de dispositivos de inicio, seleccione **IDE CD-ROM Device** (Dispositivo CD-ROM IDE) y presione <Intro>.
- 4 Seleccione la opción **IDE CD-ROM Device** (Dispositivo CD-ROM IDE) en el menú de inicio del CD.
- 5 Seleccione la opción **Boot from CD-ROM** (Iniciar desde el CD-ROM) en el menú que aparece.
- 6 Escriba 1 para abrir el menú **ResourceCD** (CD de recursos).
- 7 Escriba 2 para iniciar los Diagnósticos Dell.
- 8 Seleccione **Run the 32 Bit Dell Diagnostics** (Ejecutar los Diagnósticos Dell de 32 bits) en la lista numerada. Si aparecen varias versiones, seleccione la versión apropiada para su plataforma.
- 9 Cuando aparezca la opción Main Menu (Menú principal) de los Diagnósticos Dell, seleccione la prueba que desea ejecutar.



NOTA: Esta característica cambia la secuencia de inicio sólo una vez. En el siguiente inicio, el equipo se inicia con los dispositivos especificados en la configuración del sistema.

10 Una vez finalizadas las pruebas, extraiga el CD.

Ejecución de las pruebas IDE Hard-Drive Diagnostics (Diagnósticos de disco duro IDE) de Dell

Se trata de un programa que prueba la unidad de disco duro para solucionar problemas o confirmar la existencia de fallos en ésta.

- 1 Encienda el equipo (si ya está encendido, reinícielo).
- 2 Cuando aparezca **F2 = Setup** (F2 = Configuración) en la esquina superior derecha de la pantalla, presione <Ctrl><Alt><D>.
- 3 Siga las instrucciones que aparecen en pantalla.

Si se informa de un fallo, consulte “Problemas con la unidad de disco duro” en la *Guía del usuario*.

Información sobre normativas

Una interferencia electromagnética (EMI, Electromagnetic Interference) es cualquier señal o emisión, radiada en el espacio o conducida a través de un cable de alimentación o señal, que pone en peligro el funcionamiento de la navegación por radio u otro servicio de seguridad, o degrada seriamente, obstruye o interrumpe de forma repetida un servicio de comunicaciones por radio autorizado.

Su equipo Dell está diseñado para cumplir las normativas aplicables concernientes a EMI. Los cambios o modificaciones no aprobados expresamente por Dell podrían invalidar la autorización del usuario para utilizar el equipo.

Los sistemas Dell están diseñados, probados y clasificados según sus diseñados entornos electromagnéticos. Los entornos electromagnéticos se clasifican en dos grupos:

- La Clase A designa un dispositivo que puede funcionar únicamente en entornos empresariales o industriales.
- La Clase B designa un dispositivo que puede funcionar tanto en entornos domésticos como en entornos empresariales o industriales.



NOTA: Consulte la etiqueta reglamentaria situada en la parte trasera o inferior del equipo Dell para determinar el entorno en el que puede funcionar.


Clase A

El equipo de Clase A ha sido probado y cumple con los límites establecidos para los dispositivos digitales de Clase A, de conformidad con lo dispuesto en la Sección 15 de la Normativa de la Comisión Federal de Comunicaciones (FCC, Federal Communications Commission). Estos límites están diseñados para proporcionar una protección razonable contra interferencias perjudiciales en un entorno comercial. Este equipo genera, utiliza y puede radiar energía por radiofrecuencia, y si no se instala y utiliza de acuerdo con las instrucciones, puede provocar interferencias perjudiciales para comunicaciones por radio. El funcionamiento de este equipo en un área residencial puede llegar a provocar interferencias perjudiciales, en cuyo caso se le pedirá al usuario que corrija las interferencias y que se haga cargo del gasto generado.

Clase B

El equipo de Clase B se ha probado y cumple con los límites establecidos para los dispositivos digitales de clase B, de conformidad con lo dispuesto en la Sección 15 de la Normativa de la FCC. Estos límites están diseñados para proporcionar una protección razonable contra interferencias perjudiciales en instalaciones residenciales. Este equipo genera, utiliza y puede radiar energía por radiofrecuencia, y si no se instala y utiliza de acuerdo con las instrucciones, puede provocar interferencias perjudiciales para comunicaciones por radio. Sin embargo, no existe garantía de que no ocurran interferencias en una instalación en particular. Si el equipo produce interferencias perjudiciales en las recepciones por radio o televisión, lo cual se puede determinar apagando el equipo y volviéndolo a encender, se aconseja al usuario que intente corregir la interferencia adoptando una o varias de las siguientes medidas:

- Vuelva a orientar o ubicar la antena de recepción
- Aumente la separación entre el equipo y el receptor
- Conecte el equipo a un enchufe en un circuito diferente del que esté conectado al receptor
- Consulte a Dell o a un técnico con experiencia en radio o televisión para obtener ayuda

 **NOTA:** Puede encontrar información reglamentaria relativa al equipo en la *Guía del usuario*.

Información de la NOM (sólo para México)

La información siguiente se proporciona en el dispositivo o dispositivos descritos en este documento, en cumplimiento con los requisitos de la Norma Oficial Mexicana (NOM)

Exportador:	Dell Computer Corporation One Dell Way Round Rock, TX 78682
Importador:	Dell Computer de México, S.A. de C.V. Paseo de la Reforma 2620 - 11° Piso Col. Lomas Altas 11950 México, D.F.
Enviar a:	Dell Computer de México, S.A. de C.V. al Cuidado de Kuehne & Nagel de México S. de R.I. Avenida Soles No. 55 Col. Peñón de los Baños 15520 México, D.F.
Voltaje de entrada de alimentación:	12 V de CC
Corriente nominal de entrada:	DCT — 12,5 A

Garantía limitada y política de devolución

Garantía de un año del fabricante para el usuario final (sólo para Latinoamérica y el área del Caribe)

Garantía

Dell Computer Corporation (“Dell”) garantiza al usuario final, de acuerdo con las provisiones siguientes, que los productos de hardware de marca, adquiridos por el usuario final a una empresa de Dell o a un distribuidor de Dell autorizado en Latinoamérica o el área del Caribe están libres de defectos en materiales, mano de obra y diseño que afecten a su utilización normal, por un período de un año desde la fecha original de la compra. Los productos sobre los que se presentaron las reclamaciones apropiadas se repararán o reemplazarán a cargo de Dell si así lo decide Dell. Dell es propietaria de todas las piezas extraídas de los productos reparados. Dell utiliza piezas nuevas y reacondicionadas de diversos fabricantes para efectuar reparaciones y fabricar componentes de repuesto.

Exclusiones

Esta garantía no se aplica a defectos que son resultado de: instalación, uso o mantenimiento incorrectos o inadecuados; acciones o modificaciones por parte de terceras personas no autorizadas o del usuario final; daño accidental o voluntario o deterioro normal por el uso.

Cómo hacer una reclamación

En Latinoamérica o en el área del Caribe, para hacer reclamaciones se debe contactar con un punto de venta de Dell dentro del período que cubra la garantía. El usuario final debe proporcionar siempre la prueba de compra, indicando el nombre del vendedor, fecha de la compra, modelo y número de serie, nombre y dirección del cliente y los detalles de síntomas y configuración del mal funcionamiento, incluidos los periféricos y el software utilizados. De lo contrario, Dell puede rehusar la reclamación de la garantía. Si se diagnostica un defecto cubierto por la garantía, Dell se encargará de ello y abonará el transporte por tierra y el seguro hacia y desde el centro de reparaciones y sustitución de Dell. El usuario final deberá asegurarse de que el producto defectuoso esté disponible para su recogida, adecuadamente acondicionado en el embalaje original u otro de las mismas características de protección junto con los detalles señalados anteriormente y el número de devolución suministrado por Dell al usuario final.

Derechos legales y limitación

Dell no ofrece ninguna otra garantía ni realiza declaración equivalente si no se ajusta a lo establecido explícitamente más arriba y esta Garantía sustituye a todas las demás garantías, hasta el máximo permitido por la ley. En ausencia de legislación aplicable, esta garantía será el único y exclusivo recurso del usuario final ante Dell o alguno de sus afiliados; ni Dell ni ninguno de sus afiliados será responsable de la pérdida de beneficios o contratos ni de ninguna otra pérdida indirecta o consecuente debida a negligencia, incumplimiento de contrato, etc.

Esta garantía no supone menoscabo de, ni afecta a, los derechos legales preceptivos del usuario final frente a cualquier derecho derivado de otros contratos formalizados por el usuario final con Dell o cualquier otro vendedor.

Dell World Trade LP

One Dell Way, Round Rock, TX 78682, Estados Unidos

Dell Computadores do Brasil Ltda (CNPJ No. 72.381.189/0001-10)/

Dell Commercial do Brasil Ltda (CNPJ No. 03 405 822/0001-40)

Avenida Industrial Belgraf, 400

92990-000 - Eldorado do Sul - RS - Brasil

Dell Computer de Chile Ltda
Coyancura 2283, Piso 3- Of. 302,
Providencia, Santiago - Chile

Dell Computer de Colombia Corporation
Carrera 7 #115-33 Oficina 603
Bogotá, Colombia

Dell Computer de México SA de CV
Paseo de la Reforma 2620 - 11° Piso
Col. Lomas Altas
11950 México, D.F.

Intel® Declaración de garantía sólo para los procesadores Pentium® y Celeron® (sólo Estados Unidos y Canadá)

Intel's Three Year Limited Warranty

Limited Warranty

Intel warrants that its family of Pentium® and Celeron® processors, if properly used and installed, will be free from defects in materials and workmanship and will substantially conform to Intel's publicly available specifications for a period of three (3) years after the date the Pentium or Celeron processor was purchased (whether purchased separately or as part of a computer system).

If the Pentium or Celeron processor, which is the subject of this Limited Warranty, fails during the warranty period for reasons covered by this Limited Warranty, Intel, at its option, will:

- REPAIR the Pentium or Celeron processor by means of hardware and/or software; OR
- REPLACE the Pentium or Celeron processor with another Pentium or Celeron processor; OR
- if Intel is unable to repair or replace the particular Pentium or Celeron processor,
- REFUND the then-current value of the Pentium or Celeron processor.

THIS LIMITED WARRANTY, AND ANY IMPLIED WARRANTIES THAT MAY EXIST UNDER STATE LAW, APPLY ONLY TO THE ORIGINAL PURCHASER OF THE PENTIUM OR CELERON PROCESSOR, OR PENTIUM OR CELERON PROCESSOR-BASED COMPUTER AND LAST ONLY FOR AS LONG AS SUCH PURCHASER CONTINUES TO OWN THE PROCESSOR.

Extent of Limited Warranty

Intel does not warrant that your Pentium or Celeron processor will be free from design defects or errors known as "crashes." Current characterized errors are available upon request. This limited warranty is for purchasers in the United States and Canada only. The limited warranty does not cover any costs relating to removal or replacement of any Pentium or Celeron processors that are soldered or otherwise permanently affixed to your system's motherboard.

This limited warranty does not cover damage due to external causes, including accidents, problems with electrical power, usage not in accordance with product instructions, misuse, neglect, alteration, repair, improper installation, or improper testing.

How to Obtain Warranty Service

To obtain warranty service for your Pentium or Celeron processor, you may contact your computer system manufacturer in accordance with its instructions, or you may contact Intel.

To request warranty service from Intel, you should call Intel at 1-800-628-8686 during the warranty period during normal business hours (Pacific Time), excluding holidays. Please be prepared to provide:

- (1) your name, address, and telephone number;
- (2) proof of purchase;
- (3) this Intel warranty card;
- (4) a description of the computer system including the brand and model; and
- (5) an explanation of the problem.

[Note: The Customer Service Representative may need additional information from you depending on the nature of the problem.]

The replacement processor is warranted under this limited warranty and is subject to the same limitations and exclusions for the remainder of the original warranty period or one (1) year, whichever is longer.

WARRANTY LIMITATIONS AND EXCLUSIONS

THESE WARRANTIES REPLACE ALL OTHER WARRANTIES, EXPRESS OR IMPLIED INCLUDING, BUT NOT LIMITED TO, THE IMPLIED WARRANTIES OF MERCHANTABILITY AND FITNESS FOR A PARTICULAR PURPOSE. INTEL MAKES NO EXPRESS WARRANTIES BEYOND THOSE STATED HERE. INTEL DISCLAIMS ALL OTHER WARRANTIES, EXPRESS OR IMPLIED, INCLUDING WITHOUT LIMITATION, IMPLIED WARRANTIES OF MERCHANTABILITY AND FITNESS FOR A PARTICULAR PURPOSE.

SOME LAWS DO NOT ALLOW THE EXCLUSION OF IMPLIED WARRANTIES SO THIS LIMITATION MAY NOT APPLY TO YOU. IF THESE LAWS APPLY, THEN ALL EXPRESS AND IMPLIED WARRANTIES ARE LIMITED IN DURATION TO THE LIMITED WARRANTY PERIOD. NO WARRANTIES APPLY AFTER THAT PERIOD. SOME LAWS DO NOT ALLOW LIMITATIONS ON HOW LONG AN IMPLIED WARRANTY LASTS, SO THIS LIMITATION MAY NOT APPLY TO YOU.

LIMITATIONS OF LIABILITY

INTEL'S RESPONSIBILITY UNDER THIS, OR ANY OTHER WARRANTY, IMPLIED OR EXPRESS, IS LIMITED TO REPAIR, REPLACEMENT OR REFUND, AS SET FORTH ABOVE. THESE REMEDIES ARE THE SOLE AND EXCLUSIVE REMEDIES FOR ANY BREACH OF WARRANTY. INTEL IS NOT RESPONSIBLE FOR INDIRECT, SPECIAL, INCIDENTAL, OR CONSEQUENTIAL DAMAGES RESULTING FROM ANY BREACH OF WARRANTY OR UNDER ANY OTHER LEGAL THEORY INCLUDING, BUT NOT LIMITED TO, LOST PROFITS, DOWNTIME, GOODWILL, DAMAGE TO OR REPLACEMENT OF EQUIPMENT AND PROPERTY, AND ANY COSTS OF RECOVERING, REPROGRAMMING OR REPRODUCING ANY PROGRAM OR DATA STORED IN OR USED WITH A SYSTEM CONTAINING YOUR PENTIUM PROCESSOR. SOME JURISDICTIONS DO NOT ALLOW THE EXCLUSION OR LIMITATION OF INCIDENTAL, OR CONSEQUENTIAL DAMAGES, SO THE ABOVE LIMITATIONS OR EXCLUSIONS MAY NOT APPLY TO YOU.

THIS LIMITED WARRANTY GIVES YOU SPECIFIC LEGAL RIGHTS, AND YOU MAY ALSO HAVE OTHER RIGHTS THAT VARY FROM JURISDICTION TO JURISDICTION.

**Intel Pentium® and Celeron® Processors are backed by a three-year limited warranty.
Please refer to the reverse side of this card for complete warranty details.**

Intel's Commitment to Quality

Intel is committed to producing the highest quality processors available. That's why we have hundreds of people dedicated to continuously improve our design, manufacturing, and testing technology.

We put every one of our Pentium® and Celeron® processors through a rigorous battery of tests during the design and manufacturing processes.

To verify that the new chip will correctly run the software written for Intel Architecture processors, a team of Intel engineers is dedicated to compatibility testing. In a state-of-art lab, this group runs an extensive set of operating systems, applications, network tests and stress tests repeatedly to ensure that the processor is compatible with representative software.

Just as importantly, we work with hardware and software companies in the computer industry to ensure that our processors are compatible with their products.

Additionally, a sampling of Intel processors are subjected to a rigorous "burn-in" test whereby the chip is operated at higher-than-normal temperatures and voltages. During this burn-in period, the processor experiences the equivalent of weeks of normal usage. These units are monitored for failures as part of our ongoing quality assurance process.

As a result, today's microprocessors from Intel are among the most reliable components in computers.

What are 'Errata'?

Exhaustive product testing can highlight differences between the actual behavior of the microprocessor and its specifications. Sometimes the discrepancies are caused by a design defect or error, which we call *errata*. Rigorous validation identifies most errata during the development of the processor, but we do detect additional errata during the life cycle of a microprocessor.

When an erratum is identified, our engineers work to characterize it and find a solution. We work with system designers and software developers to ensure that the discrepancy does not affect their products. If necessary, special software or hardware solutions (sometimes known as "work arounds") are implemented in the system design to prevent computer users from encountering the problem. Errata may then be corrected in future revisions of the microprocessor.

No microprocessor is perfect, and Intel recognizes that some consumers want to know about any errata, whether or not the errata affect them. Intel makes documentation of all characterized Pentium and Celeron processor errata publicly available through our Technical Documentation Service.

At Intel, our goal is to make every computer user satisfied with his or her Pentium or Celeron processor. Should you have any questions, comments or concerns about your Intel microprocessor, please call us at 1-800-628-6555.

©1997, 1998 Intel Corporation. All rights reserved.



Printed in the U.S.A.
Imprimé aux États-Unis.
Impreso en los EE.UU.



01U919A01

P/N 1U919 Rev. A01



Free Manuals Download Website

<http://myh66.com>

<http://usermanuals.us>

<http://www.somanuals.com>

<http://www.4manuals.cc>

<http://www.manual-lib.com>

<http://www.404manual.com>

<http://www.luxmanual.com>

<http://aubethermostatmanual.com>

Golf course search by state

<http://golfingnear.com>

Email search by domain

<http://emailbydomain.com>

Auto manuals search

<http://auto.somanuals.com>

TV manuals search

<http://tv.somanuals.com>