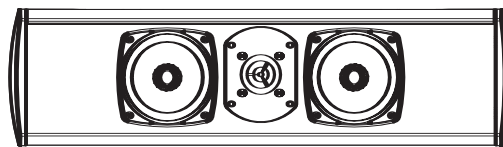
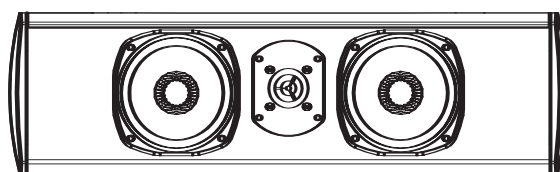


*CS-8000HD Series Center Channels:
CS-8060HD, CS-8080HD*



CS-8060HD



CS-8080HD

Definitive Technology[®]
The Leader in High-Performance Loudspeakers[®]

Thank you for choosing the Definitive Technology CS Series Center Loudspeaker. The CS Series is a compact high-definition loudspeaker system designed for use in audio/video systems of the highest quality. Because of its wide range, high-power handling and articulate clarity, it is ideal for use as a center channel in a high-performing home theater system.

Our engineers have spent many years in developing this product. In order to ensure that you experience the finest performance possible, we encourage you to take a moment to fully read this owner's manual and familiarize yourself with the proper installation and setup procedures for your CS speaker.

Safety Precautions



CAUTION! To reduce the risk of electric shock and fire, do not remove the cover or back plate of this device. There are no user serviceable parts inside. Please refer all servicing to licensed service technicians. Avis: Risque de choc électrique, ne pas ouvrir.

CAUTION! The international symbol of a lightning bolt inside a triangle is intended to alert the user to uninsulated "dangerous voltage" within the device's enclosure. The international symbol of an exclamation point inside a triangle is intended to alert the user to the presence of important operating, maintenance and servicing information in the manual accompanying the device.

CAUTION! To prevent electrical shock, match wide blade of plug to wide slot, fully insert. Attention: Pour éviter les chocs électriques, introduire la lame la plus large de la fiche dans la borne correspondante de la prise et pousser jusqu'au fond.

CAUTION! To reduce the risk of electrical shock, do not expose this equipment to rain or moisture.

1. Read Instructions—All safety and operating instructions should be read before operating the device.
2. Retain Instructions—The safety and operating instructions should be retained for future reference.
3. Heed Warnings—All warnings on the device and in the operating instructions should be adhered to.
4. Follow Instructions—All operating and safety instructions should be followed.
5. Water & Moisture—The device should never be used in, on or near water for risk of fatal shock.
6. Carts & Stands—The device should only be used on carts or stands recommended by the manufacturer.
7. Wall & Ceiling Mounting—The device should be mounted on a wall or ceiling only as recommended by the manufacturer.
8. Ventilation—The device should always be located in such a way that it maintains proper ventilation. It should never be placed in a built-in installation or anywhere that may impede the flow of air through its heat sink.
9. Heat—Never locate the device near heat sources such as radiators, floor registers, stoves or other heat-generating devices.
10. Power Supply—The device should only be connected to a power supply of the type described in the operating instructions or as marked on the device.
11. Power Cord Protection—Power cables should be routed so they are not likely to be stepped on or crushed by items placed on them or against them. Special attention should be paid to areas where the plug enters a socket or fused strip and where the cord exits the device.
12. Cleaning—The device should be cleaned in accordance with manufacturer's instructions.
13. Periods Of Non-Use—The device should be unplugged when not being used for extended periods.
14. Dangerous Entry—Care should be taken that no foreign objects or liquids fall or are spilled inside the device.
15. Damage Requiring Service—The device should be serviced by licensed technicians when:
 - The plug or power supply cord has been damaged.
 - Objects have fallen on or liquid has spilled inside the device.
 - The device has been exposed to moisture.
 - The device does not appear to be operating properly or exhibits a marked change in performance.
 - The device has been dropped or the cabinet becomes damaged.
16. Service—The device should always be serviced by licensed technicians. Only replacement parts specified by the manufacturer should be used. The use of unauthorized substitutions may result in fire, shock, or other hazards.

Power Supply

1. The fuse and power disconnect device are located on the back of the speaker.
2. The disconnect device is the power cord, detachable at either the speaker or the wall.
3. The power cord must be disconnected from the speaker before servicing.

Unpacking Your Model

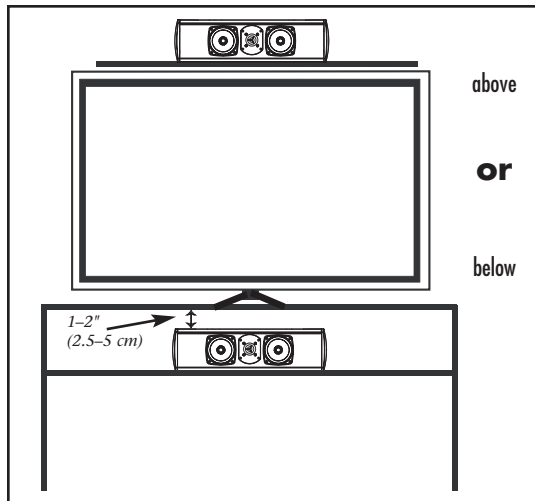
Please Inspect For Shipping Damage

Each loudspeaker leaves our plant in perfect condition. Any visible or concealed damage most likely occurred in handling after it left our plant and should be reported at once to your Definitive dealer or the delivery company that delivered your loudspeaker. Please unpack your system carefully. Save all cartons and packing materials in case you move or need to ship your system. Record the serial number found on the back of the Center Channel in the Notes section of this owner's manual.

Positioning Your Speakers

Your new CS Series speaker is designed to add clarity and focus to the vocal range and extend the musical image of your home theater. To optimize its performance, please follow these simple guidelines. Although the following recommendations will usually yield the best results, whatever sounds best to you is correct.

Figure 1 - Positioning CS Series Center Channel

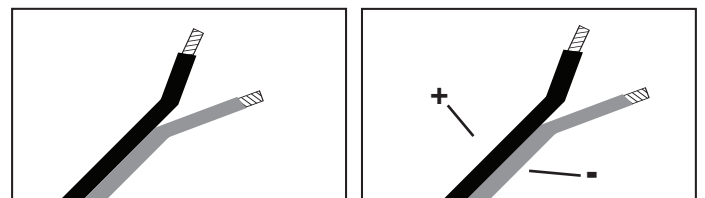


A center channel Speaker should be placed as close to the center of your television as possible without obstructing your view.

To receive the full benefit of the bass radiators built into your CS Speaker leave at least 1-2" (2.5-5 cm) of space between the top of the speaker and any surface.

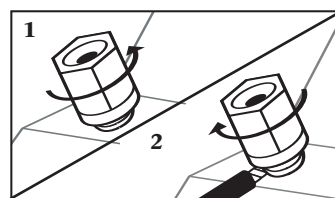
Connecting Your Speakers

Figure 2 - Wiring and Polarity

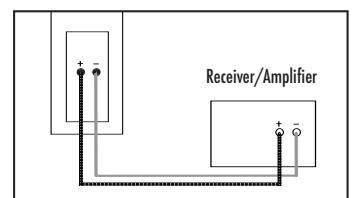


Strip 1/4" (6mm) wire.

Identify markings on wire and assign +/-.



1. Unscrew binding post and insert wire.
2. Tighten until wire is secure.



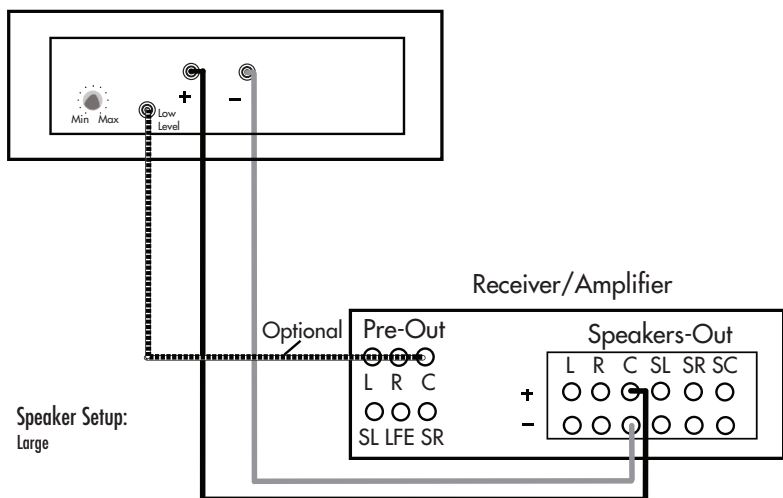
Ensure that the speaker is always connected to the receiver or amplifier + to + and - to -.

VERY IMPORTANT:

Do not use your receiver's auto set-up functions as they are often ineffective in setting up and adjusting speakers with built-in powered subwoofers!

Use the manual speaker setup functions in your receiver to set speaker configuration, speaker distance and channel balance. Consult your receiver's or processor's manual to learn how to access and use the setup menus. Set center speaker as "Large."

Figure 3 – Connection Option 1 and Connection Option 2



All Dolby/DTS multi-channel receiver/amplifiers feature a dedicated channel for a center speaker. Consult your receiver's owner's manual for the appropriate connection procedure.

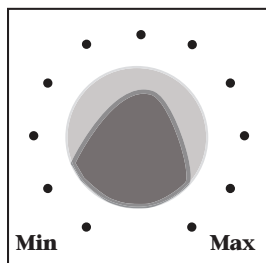
Powering the Active Subwoofer

Your CS Speaker contains a built-in, powered woofer designed to extend the frequency response and dynamic range of the center channel. Do not connect the Low Level input to your receiver's LFE output. The CS speakers are not designed to be a dedicated subwoofer.

Your CS speaker must be plugged into an electrical socket of the appropriate voltage (as indicated on the back of your unit) using the electrical cord which you have attached to the back of the speaker. When powering up from being unplugged, the LED on the amplifier panel will flash for 30 seconds while the firmware is loading. The CS Speaker has a special circuit which automatically turns the powered woofer section on when a signal is fed to the loudspeaker and does not require an on-off switch. The LED on the back panel will light up when a signal is sensed and the amplifier turns on. After the cessation of a signal, it may take up to an hour for the amplifier to actually turn off. In some instances, because of stray radio signals (RF) in your area, the LED may not turn off. However, this is nothing to be concerned about as the amplifier draws little power when at idle.

Setting Your Speakers' Low-Frequency Level Control

Your CS Speaker has a bass level control which allows you to tune the output level of the woofer to match your room and personal listening preferences. Please note that there are no controls to vary the crossover points or phase because these have been factory-calibrated and set to provide perfect blending. We suggest beginning with the level control set at approximately 12 o'clock.



Troubleshooting

If you experience any difficulties with your CS Center Channel loudspeaker, try the suggestions below. If you still have problems, contact your Definitive Technology Authorized Dealer for assistance.

1. **Audible distortion** when the speaker is playing at loud levels is caused by turning up your receiver or amplifier louder than the receiver or the speaker is capable of playing. Most receivers and amplifiers put out their full-rated power well before the volume control is turned all the way up, so the position of the volume control is a poor indicator of its power limit. If your speakers distort when you play them loud, turn the volume down!
2. If you experience a **lack of bass**, it is likely that one speaker is out of phase (polarity) with the other speakers in the system and needs to be rewired with closer attention to connecting positive to positive and negative to negative on both channels. Most speaker wire has some indicator (such as color-coding, ribbing or writing) on one of the two conductors to help you maintain consistency. It is essential to connect both speakers to the amplifier in the same way (in phase).
3. Make sure all your system interconnects and power cords are solidly in place.
4. Should you hear **hum or noise** coming from your speakers, try plugging the speakers' power cords into a different AC circuit than your amplifier.
5. The system has sophisticated **internal protection circuitry**. If for some reason the protection circuitry trips, turn off your system and wait five minutes before trying the system again. If the speakers' built-in amplifier should over-heat, the system will turn off until the amplifier cools down and resets.
6. Check to be sure that your power cord has not been damaged.
7. Check that no foreign objects or liquid has entered the speaker cabinet.
8. If you cannot get the subwoofer driver to turn on or if **no sound** comes out and you are sure the system is set up properly, please bring the loudspeaker to your Definitive Technology Authorized Dealer for assistance; call first.

Technical Assistance

It is our pleasure to offer assistance if you have any questions regarding your Center Channel or its setup, please contact your nearest Definitive Technology dealer or call us directly at (800) 228-7148 (US & Canada), 01 (410) 363-7148 (all other countries) or e-mail info@definitivetech.com. **Technical support is offered in English only.**

Definitive Technology Offices

11433 Cronridge Drive, Owings Mills, Maryland 21117
 Phone: (800) 228-7148 (US & Canada),
 01 (410) 363-7148 (all other countries)

Service

Service and warranty work on your Definitive loudspeakers will normally be performed by your local Definitive Technology dealer. If, however, you wish to return the speaker to us, please contact us first, describing the problem and requesting authorization as well as the location of the nearest factory service center. **Please note that the address given in this booklet is the address of our offices only. Under no circumstances should loudspeakers be shipped to our offices or returned without contacting us first and obtaining return authorization.**

CS-8060HD & CS-8080HD OWNER'S MANUAL

	CS-8060HD	CS-8080HD
<i>Performance Specifications</i>		
Overall Frequency Response	30 Hz – 30k Hz	20 Hz – 30k Hz
Sensitivity	92 dB	92 dB
Nominal Impedance	8 ohm	8 ohm
Recommended Associated Amplifier Power	20 – 250w	20 – 300w
Built-In Subwoofer Amplifier Power	150w	300w
<i>Dimensions</i>		
Height	5 3/4" (14.5 cm)	6 3/4" (17.15 cm)
Width	21 1/8" (53.68 cm)	23 1/2" (59.69 cm)
Depth	12" (30.4 cm)	14" (35.56 cm)
<i>Speaker Complement</i>		
Active Woofer Quantity	1	1
Woofer Diameter	8" (20.25 cm)	5"x10" (12.7x 25.4 cm)
Bass Radiator Quantity	n/a	2
Bass Radiator Diameter	n/a	5"x10" (12.7x 25.4 cm)
Midrange Driver Quantity	2	2
Midrange Diameter	4 1/2" (11.43 cm)	5 1/4" (13.34 cm)
Tweeter Quantity	1	1
Tweeter Diameter	1" (2.54 cm)	1" (2.54 cm)

Notes

Limited Warranty: 5-Years for Drivers and Cabinets, 3-Years for Electronic Components

DEI Sales Co., dba Definitive Technology (herein "Definitive") warrants to the original retail purchaser only that this Definitive loudspeaker product (the "Product") will be free from defects in material and workmanship for a period of five (5) years covering the drivers and cabinets, and three (3) years for the electronic components from the date of the original purchase from a Definitive Authorized Dealer. If the Product is defective in material or workmanship, Definitive or its Authorized Dealer will, at its option, repair or replace the warranted product at no additional charge, except as set forth below. All replaced parts and Product(s) become the property of Definitive. Product that is repaired or replaced under this warranty will be returned to you, within a reasonable time, freight collect. This warranty is non-transferrable and is automatically void if the original purchaser sells or otherwise transfers the Product to any other party.

This Warranty does not include service or parts to repair damage caused by accident, misuse, abuse, negligence, inadequate packing or shipping procedures, commercial use, voltage in excess of the rated maximum of the unit, cosmetic appearance of cabinetry not directly attributable to defects in material or workmanship. This warranty does not cover the elimination of externally generated static or noise, or the correction of antenna problems or weak reception. This warranty does not cover labor costs or damage to the Product caused by installation or removal of the Product. Definitive Technology makes no warranty with respect to its products purchased from dealers or outlets other than Definitive Technology Authorized Dealer.

THE WARRANTY IS AUTOMATICALLY VOID IF:

- 1) The product has been damaged, altered in any way, mishandled during transportation, or tampered with.
- 2) The product is damaged due to accident, fire, flood, unreasonable use, misuse, abuse, customer applied cleaners, failure to observe manufacturers warnings, neglect or related events.
- 3) Repair or modification of the Product has not been made or authorized by Definitive Technology.
- 4) The product has been improperly installed or used.

Product must be returned (insured and prepaid), together with the original dated proof of purchase to the Authorized

Dealer from whom the Product was purchased, or to the nearest Definitive factory service center. Product must be shipped in the original shipping container or its equivalent. Definitive is not responsible or liable for loss or damage to Product in transit.

THIS LIMITED WARRANTY IS THE ONLY EXPRESS WARRANTY THAT APPLIES TO YOUR PRODUCT. DEFINITIVE NEITHER ASSUMES NOR AUTHORIZES ANY PERSON OR ENTITY TO ASSUME FOR IT ANY OTHER OBLIGATION OR LIABILITY IN CONNECTION WITH YOUR PRODUCT OR THIS WARRANTY. ALL OTHER WARRANTIES, INCLUDING BUT NOT LIMITED TO EXPRESS, IMPLIED, WARRANTY OF MERCHANTABILITY OR FITNESS FOR A PARTICULAR PURPOSE, ARE EXPRESSLY EXCLUDED AND DISCLAIMED TO THE MAXIMUM EXTENT ALLOWED BY LAW. ALL IMPLIED WARRANTIES ON PRODUCT ARE LIMITED TO THE DURATION OF THIS EXPRESSED WARRANTY. DEFINITIVE HAS NO LIABILITY FOR ACTS OF THIRD PARTIES. DEFINITIVE'S LIABILITY, WHETHER BASED ON CONTRACT, TORT, STRICT LIABILITY, OR ANY OTHER THEORY, SHALL NOT EXCEED THE PURCHASE PRICE OF THE PRODUCT FOR WHICH A CLAIM HAS BEEN MADE. UNDER NO CIRCUMSTANCE WILL DEFINITIVE BEAR ANY LIABILITY FOR INCIDENTAL, CONSEQUENTIAL OR SPECIAL DAMAGES. THE CONSUMER AGREES AND CONSENTS THAT ALL DISPUTES BETWEEN THE CONSUMER AND DEFINITIVE SHALL BE RESOLVED IN ACCORDANCE WITH CALIFORNIA LAWS IN SAN DIEGO COUNTY, CALIFORNIA. DEFINITIVE RESERVES THE RIGHT TO MODIFY THIS WARRANTY STATEMENT AT ANY TIME.

Some states do not allow the exclusion or limitation of consequential or incidental damages, or implied warranties, so the above limitations may not apply to you. This warranty gives you specific legal rights, and you may also have other rights which vary from state to state.

©2009 DEI Sales Co.

All rights reserved.



This product complies with the essential requirements of the EMC directive 89/336/EEC.

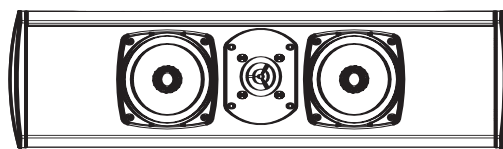
4

7083A100 08182010

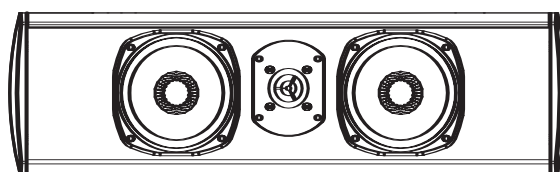
For more information on Definitive Technology Loudspeakers and accessories, visit www.definitivetech.com, or email info@definitivetech.com.
Definitive Technology, Owings Mills, Maryland, USA. 800-228-7148

Definitive Technology®
The Leader in High-Performance Loudspeakers®

*Enceintes centrales de Série CS-8000HD :
CS-8060HD, CS-8080HD*



CS-8060HD



CS-8080HD

Definitive Technology[®]
The Leader in High-Performance Loudspeakers[®]

Merci d'avoir choisi l'enceinte centrale Série CS de Definitive Technology. La Série CS est un système d'enceintes acoustiques haute définition compactes conçues pour s'intégrer aux systèmes audio/vidéo de la plus haute qualité. En raison de sa portée sonore étendue, de son excellente tenue en puissance et de sa haute clarté de restitution, ce modèle convient idéalement comme voie centrale dans un système de cinéma ultra-performant.

Nos ingénieurs ont consacré plusieurs années à la création de ce produit. Afin d'assurer les meilleures performances possibles, nous vous encourageons à prendre le temps de lire l'intégralité de ce guide d'utilisation pour vous familiariser avec les procédures d'installation et de configuration recommandées pour votre enceinte CS.

www.DefinitiveTech.com

Précautions



ATTENTION ! Pour réduire les risques d'électrocution et d'incendie, ne retirez pas la façade ou l'arrière de l'appareil. Celui-ci ne contient aucune pièce pouvant être échangée par l'utilisateur. Confiez toute intervention à un technicien réparateur autorisé. **Avis :** Risque de choc électrique, n'ouvrez pas le boîtier.

ATTENTION ! Le symbole international de l'éclair inscrit dans un triangle est destiné à alerter l'utilisateur quant à la présence de tensions dangereuses non isolées à l'intérieur du boîtier de l'appareil. Le symbole international du point d'exclamation inscrit dans un triangle est destiné à alerter l'utilisateur quant à la présence d'instructions d'utilisation, d'entretien et de réparation importantes dans le guide accompagnant l'appareil.

ATTENTION ! Pour éviter tout risque d'électrocution, alignez la fiche du cordon d'alimentation électrique avec la prise de courant et enfoncez-la complètement. **Attention :** Pour éviter les chocs électriques, introduisez la lame la plus large de la fiche dans la borne correspondante de la prise et poussez-la jusqu'au fond.

ATTENTION ! Pour réduire les risques d'électrocution, n'exposez pas cet appareil à la pluie ou à l'humidité.

1. Lisez les instructions—Lisez toutes les instructions d'utilisation et les consignes de sécurité avant de faire fonctionner l'appareil.
2. Conservez les instructions—Conservez les instructions d'utilisation et les consignes de sécurité afin de pouvoir vous y référer à l'avenir.
3. Respectez les mises en garde—Observez tous les avertissements figurant sur l'appareil et dans le manuel d'instructions.
4. Suivez les instructions—Suivez toutes les instructions d'utilisation et les consignes de sécurité.
5. Eau et humidité—L'appareil ne doit jamais être utilisé dans, sur ou auprès de l'eau pour éviter tout risque d'électrocution fatale.
6. Chariots et supports—Ne posez l'appareil que sur les chariots ou supports recommandés par le fabricant.
7. Montage mural et au plafond—Ne montez l'appareil sur un mur ou au plafond que conformément aux recommandations du fabricant.
8. Ventilation—L'appareil doit toujours être positionné de façon à garantir une ventilation adéquate. Ne l'installez jamais dans un meuble fermé ni dans tout autre lieu qui empêche la circulation de l'air à travers son radiateur.
9. Chaleur—Ne placez jamais l'appareil à proximité de sources de chaleur telles que des radiateurs, bouches de chauffage, poêles ou autres appareils produisant de la chaleur.
10. Alimentation électrique—Ne connectez l'appareil qu'à une alimentation électrique du type décrit dans le guide d'instructions ou indiqué sur l'appareil.
11. Protection du cordon d'alimentation—Positionnez les câbles de manière à empêcher que l'on marche dessus ou qu'ils soient écrasés par des objets placés sur ou contre eux. Prenez tout particulièrement garde aux endroits où la fiche pénètre dans une prise et où le cordon sort de l'appareil.
12. Nettoyage—Nettoyez l'appareil conformément aux instructions du fabricant.
13. Périodes de non-utilisation—Débranchez l'appareil de la prise de courant s'il doit demeurer inutilisé pendant une période prolongée.
14. Danger de pénétration—Prenez garde à ce qu'aucun corps étranger ou liquide ne tombe ou ne soit répandu dans l'appareil.
15. Dommages nécessitant une intervention—L'appareil doit être réparé par un technicien habilité lorsque :
 - Le cordon d'alimentation ou sa fiche a été endommagé.
 - Des objets sont tombés ou du liquide s'est répandu dans l'appareil.
 - L'appareil a été exposé à l'humidité.
 - L'appareil semble ne pas fonctionner convenablement ou présente une dégradation notable de ses performances.
 - L'appareil est tombé ou son coffret est endommagé.
16. Réparations—L'appareil doit toujours être réparé par des techniciens habilités. Seules les pièces de rechange spécifiées par le fabricant doivent être utilisées. L'utilisation de composants non autorisés peut vous exposer à un incendie, une électrocution ou d'autres dangers.

Alimentation électrique

1. Le fusible et le dispositif de sectionnement sont situés à l'arrière de l'enceinte.
2. Le dispositif de sectionnement est constitué par le cordon d'alimentation, détachable sur l'enceinte ou la prise murale.
3. Le cordon d'alimentation doit impérativement être débranché de l'enceinte avant toute intervention sur celle-ci.

Déballer l'enceinte

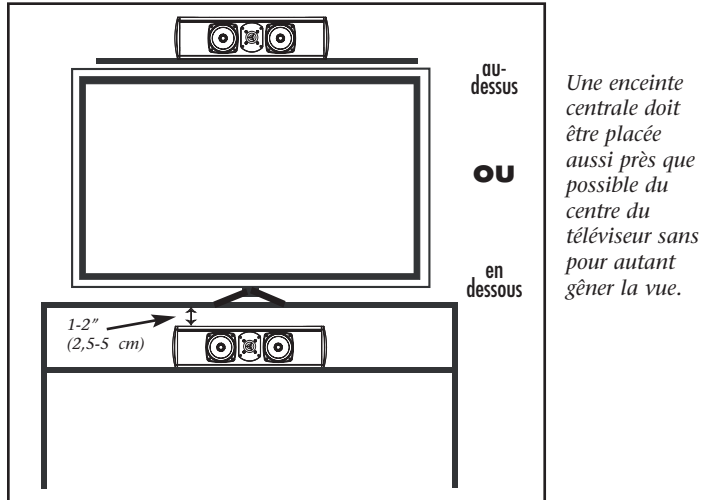
Vérifiez que le produit n'a pas été endommagé en transit

Chaque enceinte quitte notre usine en parfait état. Tout dommage visible ou caché est donc certainement survenu durant l'expédition et vous devez alors immédiatement avvertir votre revendeur Definitive ou le livreur qui vous a livré l'enceinte. Déballer vos enceintes soigneusement. Conservez tous les emballages au cas où vous auriez à déplacer ou expédier vos enceintes. Notez le numéro de série que vous trouverez au dos de votre enceinte centrale dans la section Remarques du présent guide d'utilisation.

Positionner les enceintes

Votre nouvelle enceinte de Série CS est conçue pour donner un surcroît de clarté et de précision au spectre vocal ainsi qu'élargir l'image sonore de votre système de cinéma maison. Pour optimiser ses performances, nous vous invitons à suivre ces conseils très simples. Même si les recommandations suivantes donnent généralement d'excellents résultats, adoptez les réglages qui vous offriront la meilleure reproduction sonore.

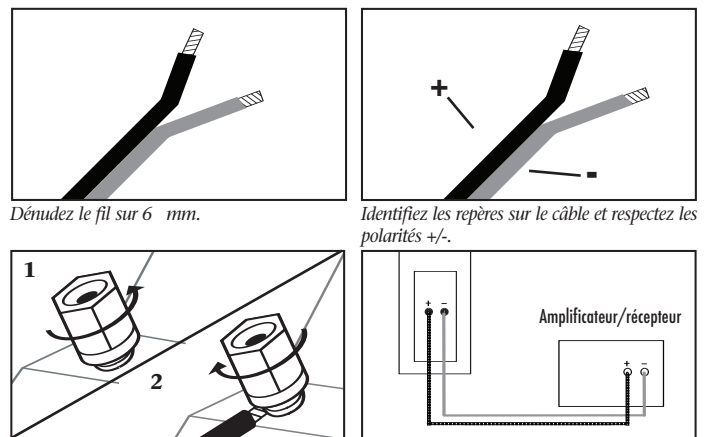
Figure 1 - Positionnement de l'enceinte centrale de Série CS



Pour tirer pleinement parti des radiateurs passifs intégrés à votre enceinte CS, laissez de 2,5 à 5 cm de dégagement au minimum entre le dessus de l'enceinte et toute surface adjacente.

Raccorder les enceintes

Figure 2 - Câblage et polarité



1. Dévissez la borne et insérez le conducteur dans l'orifice.
2. Revissez jusqu'à ce que le conducteur soit solidement immobilisé.

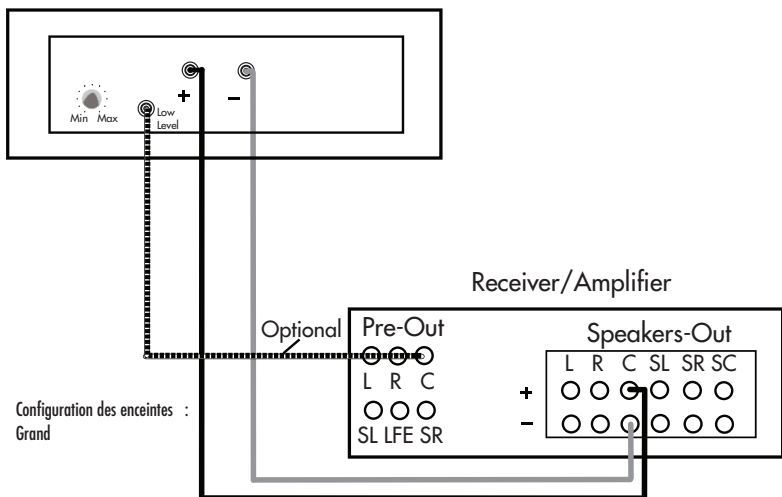
Veillez toujours à ce que les bornes + et les bornes - soient reliées à leur polarité respectives sur les deux appareils.

REMARQUE IMPORTANTE :

N'utilisez pas les fonctions de calibration automatique de votre amplificateur/récepteur car celles-ci sont inefficaces lorsqu'il s'agit de configurer et régler des enceintes à boîtier des basses actif intégré.

Servez-vous des fonctions de configuration manuelle de votre amplificateur/récepteur pour installer votre enceinte et définir les distances et l'équilibre des canaux. Consultez le guide d'utilisation de votre amplificateur/récepteur pour savoir comment accéder aux menus de calibration et les utiliser. Configurez l'enceinte centrale en « Grand ».

Figure 3 – Options de raccordement n° 1 et 2



Tous les amplificateurs/récepteurs multicanaux Dolby/DTS sont dotés d'une voie dédiée à une enceinte centrale. Consultez le guide d'utilisation de votre appareil pour connaître la procédure de raccordement appropriée.

Alimentation électrique du boîtier des basses actif

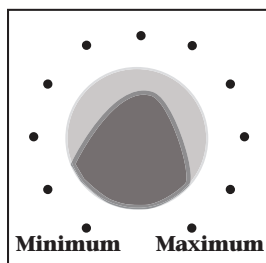
L'enceinte CS intègre un boîtier des basses actif conçu pour étendre la réponse en fréquence et la dynamique de la voie centrale. Ne raccordez pas son entrée bas niveau à la sortie LFE de votre amplificateur/récepteur. Les enceintes CS ne sont pas conçues pour être utilisées comme boîtier des basses dédié.

L'enceinte CS doit être raccordée à une prise de courant de la tension appropriée (tel qu'indiqué au dos de l'enceinte) au moyen d'un câble électrique branché sur sa face arrière. Après avoir rallumé l'enceinte, le voyant situé sur le panneau de l'amplificateur clignote pendant 30 secondes tandis que le micrologiciel se charge. L'enceinte CS est dotée d'un circuit spécial qui active automatiquement la section du boîtier des basses actif dès que l'enceinte reçoit un signal, sans besoin d'un interrupteur. Le voyant sur la face arrière s'allume lorsqu'un signal est détecté et l'amplificateur s'allume. Après que le signal s'interrompt, il peut s'écouler jusqu'à une heure avant que l'amplificateur ne s'éteigne.

Dans certains cas, notamment en présence de perturbations radioélectriques dans votre région, il se peut que le voyant ne s'éteigne pas. Toutefois, ne vous inquiétez pas, car l'amplificateur ne consomme que très peu de courant à l'état inactif.

Régler le niveau de grave sur l'enceinte

L'enceinte CS est dotée d'une commande de réglage du niveau de basses qui vous permet d'ajuster le niveau de sortie du boîtier des basses actif en fonction de l'acoustique de votre pièce et de vos préférences personnelles en matière d'écoute. Veuillez noter qu'aucune commande ne permet de modifier les fréquences de coupure ou la phase car celles-ci ont été calibrées en usine afin de garantir une parfaite fusion entre les différents haut-parleurs. Nous vous suggérons de débiter vos réglages en positionnant la commande approximativement sur 12 h 00.



Dépannage

Si vous éprouvez des difficultés avec votre enceinte centrale de Série CS, essayez les suggestions ci-dessous. Si les problèmes persistent, contactez votre revendeur agréé Definitive Technology afin d'obtenir de l'assistance.

1. La **distorsion audible** lorsque l'enceinte est poussée à fort volume est causée par une sollicitation de l'amplificateur/récepteur supérieure à ses capacités ou à celles de l'enceinte. La plupart des amplificateurs/récepteurs offrent leur pleine puissance bien avant que le potentiomètre de volume soit tourné à fond, ce qui fait que la position de ce dernier est un piètre indicateur de leur limite de puissance. Si vous constatez une distorsion lorsque vous écoutez de la musique très fort, baissez le volume !
2. Si vous remarquez un **niveau de grave insuffisant**, la raison probable est qu'une enceinte est hors phase (mauvais polarité) par rapport aux autres enceintes du système et doit être recâblée en prenant garde à bien raccorder le positif au positif et le négatif au négatif sur les deux canaux. La majorité des câbles de haut-parleurs différencient les fils d'une manière ou d'une autre (code couleur, texture ou inscription). Il est essentiel de relier les deux enceintes à l'amplificateur de la même manière (en phase).
3. Assurez-vous que tous les cordons d'interconnexion et d'alimentation de votre système sont solidement branchés.
4. Si vous entendez un **ronflement ou du bruit** venant de vos enceintes, essayez de brancher les cordons d'alimentation de ces dernières dans des prises desservies par un circuit électrique différent de celui auquel est raccordé votre amplificateur.
5. Le système est doté d'un **circuit de protection interne** sophistiqué. Si ce circuit entre en action pour une raison ou une autre, éteignez le système et patientez cinq minutes avant d'essayer de le rallumer. Si l'amplificateur intégré aux enceintes vient à surchauffer, le système se coupera automatiquement jusqu'à ce que l'amplificateur ait refroidi et se soit réinitialisé.
6. Vérifiez que votre cordon d'alimentation électrique n'est pas endommagé.
7. Vérifiez qu'aucun corps étranger ou liquide n'a pénétré dans le coffret de l'enceinte.
8. Si vous ne parvenez pas à faire en sorte que le boîtier des basses s'active ou si **aucun son** n'en sort alors que vous êtes sûr que le système est configuré convenablement, veuillez ramener l'enceinte chez votre revendeur agréé Definitive Technology afin d'obtenir de l'assistance ; n'oubliez pas de téléphoner au préalable.

Assistance technique

Nous serons ravis de vous prêter assistance si vous avez des questions concernant votre enceinte centrale ou sa configuration. N'hésitez pas à communiquer avec le revendeur Definitive Technology le plus proche ou à nous appeler directement au 1 800 228-7148 (États-Unis et Canada) ou au 01 410 363-7148 (tous les autres pays), ou bien à nous envoyer un courriel à cette adresse : info@definitivetech.com.

L'assistance technique est offerte en anglais uniquement.

Bureaux de Definitive Technology

11433 Cronridge Drive, Owings Mills, Maryland 21117, USA
Téléphone : 1 800 228-7148 (États-Unis et Canada),
01 410 363-7148 (autres pays)

Service après-vente

Pour obtenir un service après-vente concernant vos enceintes Definitive, communiquez avec votre revendeur Definitive Technology local. Toutefois, si vous souhaitez nous retourner l'enceinte, nous vous demandons de communiquer avec nous directement afin de décrire le problème et obtenir une autorisation de retour ainsi que l'adresse du centre de maintenance le plus proche. **L'adresse mentionnée dans ce document est celle de notre siège social. Vous devez impérativement communiquer avec nous et obtenir une autorisation de retour avant de nous envoyer ou retourner vos enceintes.**

	CS-8060HD	CS-8080HD
<i>Spécifications</i>		
Réponse en fréquence globale	30 Hz – 30 kHz	20 Hz – 30 kHz
Sensibilité	92 dB	92 dB
Impédance nominale	8 ohms	8 ohms
Puissance conseillée de l'amplificateur associé	20 – 250w	20 – 300w
Puissance de l'amplificateur du boîtier des basses intégré	150w	300w
<i>Dimensions</i>		
Hauteur	14,5 cm	17,15 cm
Largeur	53,68 cm	59,69 cm
Profondeur	30,4 cm	35,56 cm
<i>Haut-parleurs</i>		
Nombre de boîtier des basses actifs	1	1
Diamètre du boîtier des basses	20,25 cm	12,7 x 25,4 cm
Nombre de radiateurs passifs	sans objet	2
Diamètre des radiateurs passifs	sans objet	12,7 x 25,4 cm
Nombre de médiaux	2	2
Diamètre des médiaux	11,43 cm	13,34 cm
Nombre d'aigus	1	1
Diamètre des aigus	2,54 cm	2,54 cm

Remarques

Garantie limitée : 5 ans pour les haut-parleurs et coffrets, 3 ans sur les composants électroniques

DEI Sales Co., dba Definitive Technology (ci-après « Definitive ») s'engage exclusivement vis-à-vis de l'acheteur final à ce que cette enceinte Definitive (le « produit ») soit exempte de défauts de conception et de fabrication pour une période de cinq (5) ans pour les haut-parleurs et coffrets et de trois (3) ans concernant les composants électroniques à compter de la date d'achat du produit auprès d'un revendeur Definitive agréé. En cas de défaut de conception ou de fabrication, Definitive ou le revendeur agréé, à sa seule discrétion, réparera ou remplacera le produit sous garantie sans frais, à l'exception des frais stipulés ci-dessous. Tous les produits et pièces remplacés deviennent la propriété de Definitive. Un produit réparé ou remplacé dans le cadre de cette garantie vous sera renvoyé sous un délai raisonnable, les frais d'expédition étant à votre charge. Cette garantie est non transférable et automatiquement invalidée si l'acheteur d'origine revend ou transfère le produit à un tiers.

Cette garantie ne couvre pas les frais de service ou les pièces de rechange pour la réparation de dommages provoqués par un accident, de la négligence, des mesures d'emballage ou d'expédition incorrectes, une utilisation commerciale, une surtension au delà des spécifications du produit ni les défauts cosmétiques des coffrets non attribuables à des défauts de matériaux ou de fabrication. Cette garantie ne couvre pas l'élimination de sons parasites provenant d'une source externe, ou la correction de problèmes d'antenne ou de mauvaise réception. Cette garantie ne couvre pas les frais de main d'œuvre ou de dommages entraînés par l'installation ou désinstallation du produit. Definitive Technology fournit ce produit sans garantie s'il a été acheté auprès de revendeurs ou d'enseignes qui ne sont pas agréés par Definitive Technology.

CETTE GARANTIE EST AUTOMATIQUEMENT ANNULÉE SI :

- 1) Le produit a été endommagé, altéré, mal acheminé ou maltraité de quelque manière.
- 2) Le produit est endommagé suite à un accident, un incendie, une inondation, une utilisation déraisonnable, une mauvaise utilisation, une utilisation abusive, l'application de produits nettoyants, une non application des consignes du fabricant, de la négligence ou tout autre événement similaire.
- 3) Une réparation ou modification du produit n'a pas été effectuée ou autorisée par Definitive Technology.
- 4) Le produit a été installé ou utilisé de manière incorrecte.

Le produit doit être retourné (par envoi assuré et prépayé) accompagné d'une preuve d'achat datée au revendeur

agréé auprès duquel le produit a été acheté, ou au centre de maintenance Definitive le plus proche. Le produit doit être expédié dans son emballage d'origine ou équivalent. Definitive n'est pas responsable en cas de dommage ou de perte du produit en transit.

CETTE GARANTIE LIMITÉE EST LA SEULE GARANTIE EXPLICITE COUVRANT VOTRE PRODUIT. DEFINITIVE INTERDIT À TOUTE PERSONNE OU ENTITÉ TIERCE D'ASSUMER EN SON NOM TOUTE AUTRE OBLIGATION OU RESPONSABILITÉ LIÉE À VOTRE PRODUIT OU À CETTE GARANTIE. DEFINITIVE RÉFUTE ET DÉCLINE TOUTE AUTRE GARANTIE, Y COMPRIS ET SANS S'Y LIMITER, TOUTE GARANTIE EXPLICITE OU IMPLICITE DE POTENTIEL COMMERCIAL OU D'ADAPTATION À UN USAGE PARTICULIER DANS LES LIMITES DES LOIS EN VIGUEUR. L'ENSEMBLE DES GARANTIES IMPLICITES COUVRANT LE PRODUIT SONT LIMITÉES À LA DURÉE DE LA GARANTIE EXPLICITE. DEFINITIVE N'EST PAS RESPONSABLE DES AGISSEMENTS DE TIERCES PARTIES. LA RESPONSABILITÉ DE DEFINITIVE, QUEL QUE SOIT LE RÉGIME JURIDIQUE LA GOUVERNANT (CONTRAT, CIVIL, RESPONSABILITÉ STRICTE, ETC.) NE POURRA PAS EXCÉDER LE PRIX D'ACHAT DU PRODUIT FAISANT L'OBJET D'UNE PLAINTÉ. DEFINITIVE NE SERA EN AUCUN CAS TENU POUR RESPONSABLE DE QUELCONQUES DOMMAGES ACCESSOIRES, CONSÉCUTIFS OU SPÉCIAUX. LE CONSOMMATEUR ACCEPTE ET CONSENT À CE QUE TOUT LITIGE ENTRE LE CONSOMMATEUR ET DEFINITIVE SOIT JUGÉ CONFORMÉMENT AUX LOIS DE LA CALIFORNIE, DANS LE CONTÉ DE SAN DIEGO, CALIFORNIE. DEFINITIVE SE RÉSERVE LE DROIT DE MODIFIER CETTE DÉCLARATION DE GARANTIE À TOUT MOMENT.

Certaines juridictions n'autorisent pas l'exclusion ou la limitation de dommages consécutifs ou accessoires ou les garanties implicites, et il est possible que les restrictions précitées ne vous concernent pas. Cette garantie vous confère des droits, et il se peut que vous bénéficiiez d'autres droits en fonction des lois en vigueur dans votre pays.

© 2009 DEI Sales Co.

Tous droits réservés.



Ce produit est conforme aux principales exigences de la directive CEM 89/336/CEE.

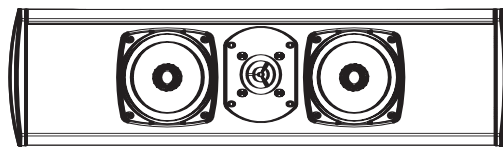
4

7083A100 08182010

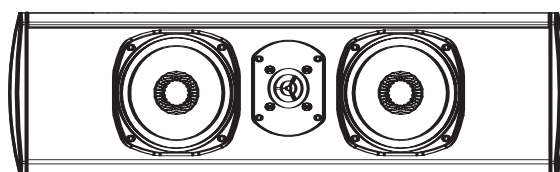
Pour de plus amples renseignements sur les enceintes et accessoires Definitive Technology, visitez le www.definitivetech.com ou envoyez-nous un courriel à cette adresse : info@definitivetech.com. Definitive Technology, Owings Mills, Maryland, USA. 800-228-7148

Definitive Technology®
The Leader in High-Performance Loudspeakers®

*Bocinas de canal central de la serie CS-8000HD:
CS-8060HD, CS-8080HD*



CS-8060HD



CS-8080HD

Definitive Technology[®]
The Leader in High-Performance Loudspeakers[®]

Le agradecemos que haya elegido esta bocina central de la serie CS de Definitive Technology. La serie CS es un sistema de bocinas compactas de alta definición diseñado para usar con sistemas de audio y video de la mejor calidad. Gracias a su amplio rango, manejo de alta potencia y claridad pura, es ideal para usarse como canal central en un sistema de cine en casa de alto rendimiento.

Nuestros ingenieros invirtieron muchos años en el desarrollo de este producto. Para garantizarle el mejor rendimiento posible, le recomendamos que lea este manual del usuario y se familiarice con los procedimientos correctos de instalación y configuración de la bocina CS.

www.DefinitiveTech.com

Medidas de seguridad



PRECAUCIÓN: para reducir el riesgo de descarga eléctrica e incendio, no quite la cubierta ni la placa trasera de esta unidad. La unidad no contiene piezas que pueda reparar el usuario. Solicite servicios de mantenimiento o reparación a técnicos profesionales.

PRECAUCIÓN: el símbolo internacional del rayo dentro de un triángulo tiene como finalidad advertir al usuario que hay "voltajes peligrosos" sin aislar en el interior de la unidad. El símbolo internacional del signo de exclamación dentro de un triángulo tiene como finalidad advertir al usuario que hay información importante sobre funcionamiento, mantenimiento y reparación en el manual que acompaña al producto.

PRECAUCIÓN: para prevenir descargas eléctricas, inserte hasta el fondo la clavija ancha del enchufe en la ranura ancha del tomacorriente.

PRECAUCIÓN: para reducir el riesgo de descarga eléctrica, no debe exponer la unidad a lluvia ni humedad.

1. Lea las instrucciones: antes de hacer funcionar la unidad, lea todas las instrucciones de funcionamiento y seguridad.
2. Recuerde las instrucciones: siempre deben recordarse las instrucciones de funcionamiento y seguridad.
3. Tenga en cuenta las advertencias: preste atención a todas las advertencias incluidas en el producto y las instrucciones.
4. Siga las instrucciones: deben seguirse todas las instrucciones de funcionamiento y seguridad.
5. Agua y humedad: la unidad nunca debe tomar contacto con agua debido al riesgo de descarga eléctrica mortal.
6. Carros y soportes: la unidad solo debe utilizarse con carros y soportes recomendados por el fabricante.
7. Soportes de techo y pared: la unidad solo debe montarse al techo o a la pared del modo que recomiende el fabricante.
8. Ventilación: la unidad siempre debe colocarse de modo que mantenga una ventilación adecuada. No debe colocarse nunca en una instalación integrada o en ningún lugar que impida el flujo de aire por el disipador.
9. Calor: no debe colocarse nunca cerca de fuentes de calor, como radiadores, rejillas del piso, estufas u otros dispositivos de calefacción.
10. Suministro de energía: la unidad solo debe conectarse a una fuente de energía del tipo descrito en las instrucciones de funcionamiento o según lo indicado en la unidad misma.
11. Protección del cable de corriente: los cables deben tenderse de modo que ningún objeto los obstruya ni los aplaste. Debe prestarse especial atención a las zonas donde se inserta el enchufe y a la salida del cable de la unidad.
12. Limpieza: la unidad debe limpiarse de acuerdo con las instrucciones del fabricante.
13. Períodos sin uso: la unidad debe desenchufarse cuando no se la utilice durante un período prolongado.
14. Filtraciones peligrosas: debe tenerse cuidado de que ningún líquido u objeto extraño se introduzca en la unidad.
15. Daños que requieren reparación: un técnico profesional debe examinar la unidad cuando:
 - se dañó el enchufe o el cable de corriente.
 - ingresaron líquido u objetos extraños en la unidad.
 - la unidad estuvo en contacto con humedad.
 - la unidad no parece funcionar bien o presenta un cambio evidente en su rendimiento.
 - se cayó la unidad o se dañó el gabinete.
16. Mantenimiento y reparación: debe solicitar servicios de mantenimiento y reparación a técnicos profesionales. Solo deben utilizarse piezas de repuesto especificadas por el fabricante. El uso de piezas no autorizadas puede provocar incendios, descargas eléctricas u otros peligros.

Suministro de energía

1. El fusible y dispositivo de desconexión se encuentran en la parte posterior de la bocina.
2. El dispositivo de desconexión es el cable de corriente, que se desconecta de la bocina o de la pared.
3. Antes de realizar tareas de mantenimiento o reparación, se debe desconectar la bocina.

Al abrir la caja de la bocina

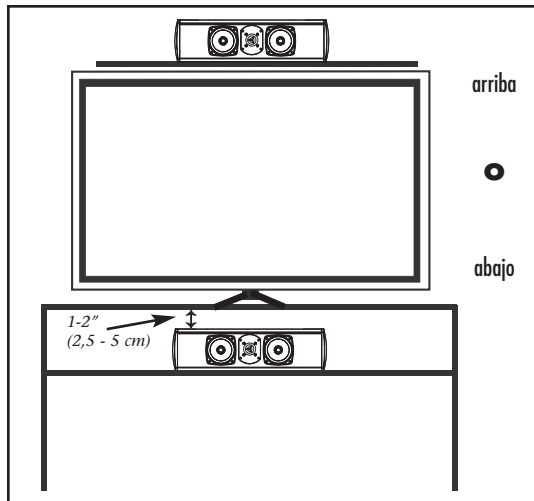
Verifique que la bocina no se haya dañado durante el envío.

Todas las bocinas salen de la planta en perfectas condiciones. Cualquier daño visible u oculto que se haya producido en el manejo posterior a su salida de la planta debe informarse de inmediato al distribuidor de Definitive o a la empresa de distribución que le entregó las bocinas. Desempaque las bocinas con cuidado. Guarde la caja y los materiales de embalaje en caso de que se mude o tenga que volver a embalar las bocinas. En la sección "Notas" de este manual, escriba el número de serie que se encuentra en la parte posterior del canal central.

Colocación de las bocinas

Las bocinas de la serie CS están diseñadas para sumar claridad y enfoque al rango vocal, y expandir la imagen musical de su sistema de cine en casa. Para optimizar el rendimiento, siga estas sencillas instrucciones. Aunque estas recomendaciones suelen dar los mejores resultados, disponga la bocina en la posición que mejor suene para usted.

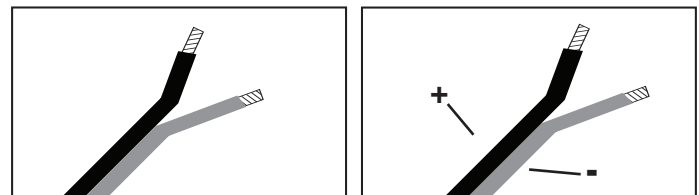
Figura 1: colocación del canal central de la serie CS



Para aprovechar al máximo los radiadores de graves incorporados en la bocina CS, deje al menos de 1 a 2" (2,5 - 5 cm) de espacio entre la parte superior de la bocina y la superficie adyacente.

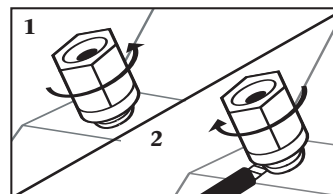
Conexión de las bocinas

Figura 2: conexión de cables y polaridad

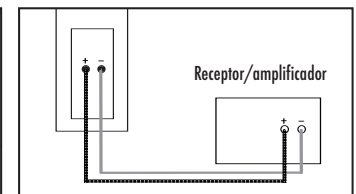


Pele 1/4" (6 mm) de cable.

Identifique las marcas de positivo y negativo.



1. Destornille el borne e inserte el cable.
2. Ajuste hasta que el cable quede en su lugar.



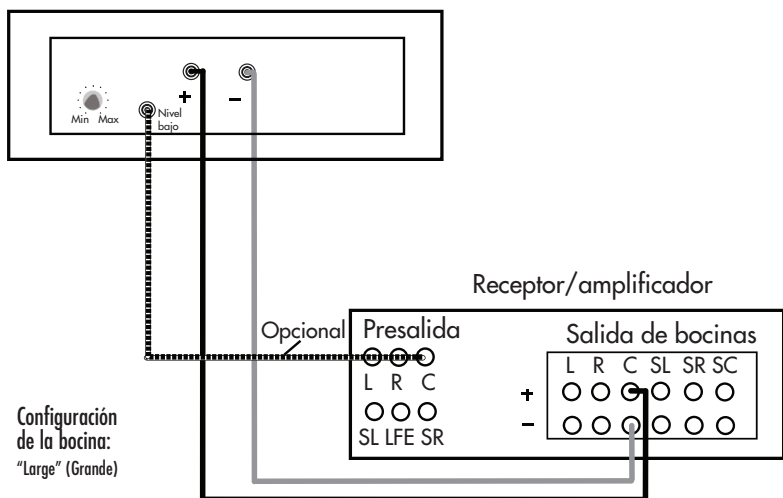
Asegúrese de que la bocina esté siempre conectada al receptor o amplificador, positivo a positivo y negativo a negativo.

MUY IMPORTANTE:

No utilice las funciones de instalación automática del receptor, ya que no suelen servir para la configuración y el ajuste de bocinas con subwoofers incorporados.

Use las funciones manuales para configurar la bocina, ajustar la distancia y establecer el equilibrio de canales. Consulte el manual del receptor o procesador para saber cómo acceder a los menús de instalación. Ajuste la bocina central a "Large" (Grande).

Figura 3: opción de conexión 1 y opción de conexión 2



Configuración de la bocina: "Large" (Grande)

Todos los amplificadores/receptores multicanal Dolby/DTS cuentan con un canal exclusivo para la bocina central. Para conectar la bocina de forma correcta, consulte el manual del usuario del receptor.

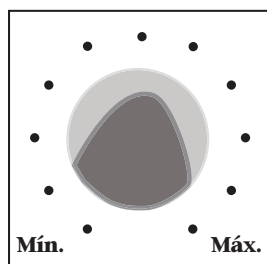
Conexión del subwoofer activo

La bocina CS contiene un woofer incorporado diseñado para extender la respuesta de frecuencia y el rango dinámico del canal central. No conecte la entrada de nivel bajo a la salida LFE del receptor. Las bocinas CS no están diseñadas para usarse exclusivamente como subwoofer.

La bocina CS debe conectarse a un tomacorriente eléctrico con el voltaje adecuado (tal como se indica en la parte posterior de la unidad) con el cable que sale de la parte posterior de la bocina. Al conectar la bocina por primera vez, el LED del panel del amplificador se enciende de forma intermitente durante 30 segundos mientras se carga el firmware. La bocina CS cuenta con un circuito especial que activa automáticamente el woofer cuando la bocina recibe una señal y no requiere un interruptor de encendido y apagado. El LED en la parte posterior del panel se iluminará cuando se reciba la señal y el amplificador se active. Desde que cesa la señal, el amplificador puede tardar hasta una hora en apagarse. Es posible que, a veces, el LED no se apague debido a la interferencia de radiofrecuencia en la zona. No se preocupe, ya que el amplificador consume muy poca electricidad cuando está en modo de reposo.

Configuración del control de nivel de baja frecuencia de la bocina

La bocina CS tiene un control de nivel de graves que le permite ajustar el nivel de salida del woofer como mejor se adecue al espacio de la sala o a su gusto personal. Tenga en cuenta que no hay ningún control que modifique la fase o los puntos de cruce, ya que vienen calibrados de fábrica y están configurados para brindar una fusión perfecta. Recomendamos que comience con el control de nivel ajustado a la mitad.



Resolución de problemas

Si tiene problemas con la bocina de canal central CS, pruebe las siguientes recomendaciones. Si el problema persiste y necesita asistencia técnica, contáctese con su proveedor autorizado de Definitive Technology.

1. **Se puede producir** distorsión audible cuando la bocina funciona a niveles altos porque se ajustó el receptor o el amplificador a un volumen mayor que el que este o la bocina puede reproducir. La mayoría de los receptores y amplificadores emiten su potencia máxima antes de poner el control de volumen al máximo; por lo tanto, la posición del control de volumen no es un indicador exacto del límite de potencia. Si las bocinas distorsionan el sonido al reproducir a alto volumen, simplemente bájelo.
2. Si percibe que **faltan graves**, es probable que una de las bocinas esté desfasada (despolarizada) respecto a las otras y que necesite comprobar la conexión de manera minuciosa, prestando mucha atención al conectar positivo a positivo y negativo a negativo en ambos canales. La mayoría de los cables de la bocina cuentan con algún tipo de indicación (colores, texto o etiquetas), al menos, en uno de los conductores para ayudarlo a conectarlos correctamente. Es imprescindible que conecte ambas bocinas al amplificador de la misma manera (en fase).
3. Asegúrese de que todas las interconexiones y cables de corriente del sistema se encuentren en su sitio.
4. Si percibe **zumbidos o ruidos** provenientes de las bocinas, conecte los cables de corriente de las bocinas a un circuito de CA diferente al del amplificador.
5. El sistema incluye un **circuito de protección interna** sofisticado. Si por algún motivo este circuito se interrumpe, apague el sistema y espere cinco minutos para volver a encenderlo. Si el amplificador integrado de las bocinas se sobrecalienta, el sistema se apagará hasta que el amplificador se enfríe y se reinicie.
6. Compruebe que el cable de corriente no presente desperfectos.
7. Asegúrese de que ningún líquido ni objeto extraño se haya introducido en la bocina.
8. Si el subwoofer no se enciende o **no emite sonido**, y está seguro de que el sistema está correctamente configurado, solicite asistencia técnica a su distribuidor autorizado de Definitive Technology. Llame antes.

Asistencia técnica

Si tiene alguna pregunta con respecto a la bocina central o su instalación, nos complacerá ayudarlo. Puede contactarse con el distribuidor local de Definitive Technology, llamar directamente al (800) 228-7148 (Estados Unidos y Canadá) o al 01 (410) 363-7148 (todos los demás países), o enviar un correo electrónico a info@definitivetech.com.

Definitive Technology sólo ofrece asistencia técnica en inglés.

Oficinas de Definitive Technology

11433 Cronridge Drive, Owings Mills, Maryland 21117, EE. UU.
Tel.: (800) 228-7148 (Estados Unidos y Canadá),
01 (410) 363-7148 (los demás países)

Mantenimiento y reparaciones

El distribuidor local de Definitive Technology normalmente realiza el mantenimiento y las reparaciones bajo garantía de las bocinas Definitive. Sin embargo, si usted desea devolver las bocinas, debe contactarse con nosotros, describir el problema, solicitar el permiso correspondiente y el domicilio del centro de mantenimiento y reparaciones de la fábrica más cercana. **Tenga en cuenta que la dirección que figura en este folleto es la dirección de nuestras oficinas. En ningún caso, se deben enviar bocinas a nuestras oficinas o devolverlas sin antes contactarnos y obtener permiso de devolución.**

	CS-8060HD	CS-8080HD
<i>Especificaciones de rendimiento</i>		
Respuesta en frecuencia general	30 Hz – 30 kHz	20 Hz – 30 kHz
Sensibilidad	92 dB	92 dB
Impedancia nominal	8 ohm	8 ohm
Potencia de amplificación asociada recomendada	20 – 250w	20 – 300w
Potencia del amplificador del subwoofer incorporado	150w	300w
<i>Dimensiones</i>		
Altura	5 3/4" (14,5 cm)	6 3/4" (17,15 cm)
Ancho	21 1/8" (53,68 cm)	23 1/2" (59,69 cm)
Profundidad	12" (30,4 cm)	14" (35,56 cm)
<i>Bocina</i>		
Cantidad de woofers activos	1	1
Diámetro del woofer	8" (20,25 cm)	5" x 10" (12,7 x 25,4 cm)
Cantidad de radiadores de graves	No dispone.	2
Diámetro de los radiadores de graves	No dispone.	5" x 10" (12,7 x 25,4 cm)
Cantidad de bocinas de frecuencia media	2	2
Diámetro de las bocinas de frecuencia media	4 3/2" (11,43 cm)	5 3/4" (13,34 cm)
Cantidad de tweeters	1	1
Diámetro del tweeter	1" (2,54 cm)	1" (2,54 cm)

Notas

Garantía limitada: 5 años para las bocinas y gabinetes, 3 años para los componentes eléctricos

DEI Sales Co., dba Definitive Technology (de aquí en adelante "Definitive") garantiza al comprador final solamente que estas bocinas de Definitive (el "Producto") no tendrán defectos en el material ni en la mano de obra durante un período de cinco (5) años en el caso de las bocinas y gabinetes, y tres (3) años en el caso de los componentes electrónicos, desde la fecha de la compra original a un distribuidor autorizado por Definitive. Definitive o el distribuidor autorizado repararán o reemplazarán, a su criterio, el producto garantizado sin cargo adicional, excepto en los casos mencionados más abajo. Todas las piezas y Productos reemplazados pasarán a ser propiedad de Definitive. Los Productos reparados o reemplazados bajo esta garantía se le devolverán en un plazo razonable, cobrable a la entrega. Esta garantía no es transferible y se anulará automáticamente si el comprador original vende o transfiere el Producto a terceros.

Esta Garantía no incluye mantenimiento, reparación ni piezas para la reparación de daños causados por accidentes, uso indebido, abuso, negligencia, procedimientos inadecuados de embalaje o envío, uso comercial o voltaje superior al establecido para la unidad, o una apariencia estética no atribuible directamente a defectos en el material o en la mano de obra. Esta Garantía tampoco cubre la eliminación de estática o ruido generados por fuentes externas, ni la corrección de problemas de la antena o mala recepción. No cubre gastos por mano de obra ni daños en el Producto causados por su instalación o desinstalación. Definitive Technology no ofrece ninguna garantía para productos adquiridos en distribuidores o tiendas que no estén autorizados por Definitive Technology.

LA GARANTÍA SE ANULARÁ AUTOMÁTICAMENTE SI:

- 1) Se dañó, se alteró de alguna manera o se manipuló el Producto, o si se lo trató inadecuadamente durante el traslado.
- 2) El producto sufrió daños por accidente, incendio, inundación, uso indebido, uso excesivo, abuso, productos de limpieza aplicados por el cliente, incumplimiento de las advertencias del fabricante, negligencia o circunstancias similares.
- 3) Se realizaron reparaciones o modificaciones en el Producto que Definitive Technology no autorizó.
- 4) El Producto se instaló o se utilizó incorrectamente.

El Producto deberá devolverse (asegurado y con los gastos pagados con anterioridad), junto con el recibo de compra

original, al distribuidor autorizado donde se adquirió o al centro de mantenimiento y reparaciones de la fábrica más cercana. Debe enviarse el Producto en el embalaje original o su equivalente. Definitive no se responsabiliza por la pérdida o los daños que pueda sufrir el producto en el camino.

ESTA GARANTÍA LIMITADA ES LA ÚNICA GARANTÍA EXPRESA VÁLIDA PARA EL PRODUCTO. DEFINITIVE NO ASUME NINGUNA OBLIGACIÓN NI RESPONSABILIDAD RELACIONADA CON EL PRODUCTO O LA GARANTÍA, NI AUTORIZA A NINGUNA PERSONA O ENTIDAD A ASUMIRLAS EN SU NOMBRE. EL RESTO DE GARANTÍAS, INCLUIDAS, ENTRE OTRAS, LA GARANTÍA EXPRESA, IMPLÍCITA, DE COMERCIALIZACIÓN O DE APTITUD PARA UN FIN DETERMINADO, QUEDAN EXPRESAMENTE EXCLUIDAS Y DECLINADAS HASTA EL LÍMITE PERMITIDO POR LA LEY. TODAS LAS GARANTÍAS IMPLÍCITAS DEL PRODUCTO ESTÁN LIMITADAS A LA DURACIÓN DE ESTA GARANTÍA EXPRESA. DEFINITIVE NO SE RESPONSABILIZA POR LAS ACCIONES DE TERCEROS. LA RESPONSABILIDAD DE DEFINITIVE, YA SEA SOBRE LA BASE DE UN CONTRATO, RESPONSABILIDAD ESTRICTA O EXTRA CONTRACTUAL, O CUALQUIER OTRA TEORÍA LEGAL, NO EXCEDERÁ EL MONTO DE LA COMPRA DEL PRODUCTO POR EL CUAL SE REALIZA EL RECLAMO. DEFINITIVE NO ASUMIRÁ, EN NINGUNA CIRCUNSTANCIA, RESPONSABILIDAD POR DAÑOS ACCIDENTALES, CONSECUENTES O ESPECIALES. EL CONSUMIDOR ACEPTA Y ESTÁ DE ACUERDO EN QUE TODOS LOS CONFLICTOS ENTRE ÉL Y DEFINITIVE SE RESOLVERÁN SEGÚN LAS LEYES DE CALIFORNIA EN EL CONDADO DE SAN DIEGO, CALIFORNIA. DEFINITIVE SE RESERVA EL DERECHO DE MODIFICAR ESTA DECLARACIÓN DE GARANTÍA EN CUALQUIER MOMENTO.

En algunos estados, no se permite la exclusión ni la limitación de daños accidentales o consecuentes ni de las garantías implícitas, por lo cual es posible que las limitaciones mencionadas no sean válidas en su caso. Esta garantía le otorga derechos legales específicos, y usted puede tener otros derechos que varían en cada estado.

©2009 DEI Sales Co.

Todos los derechos reservados.



Este producto cumple los requisitos básicos de la directiva CEM 89/336/CEE.

4 7083A100 08182010

Para obtener más información sobre las bocinas y los accesorios de Definitive Technology, visite www.definitivetech.com o escriba a info@definitivetech.com.
Definitive Technology, Owings Mills, Maryland, Estados Unidos. 800-228-7148

Definitive Technology®
The Leader in High-Performance Loudspeakers®

Free Manuals Download Website

<http://myh66.com>

<http://usermanuals.us>

<http://www.somanuals.com>

<http://www.4manuals.cc>

<http://www.manual-lib.com>

<http://www.404manual.com>

<http://www.luxmanual.com>

<http://aubethermostatmanual.com>

Golf course search by state

<http://golfingnear.com>

Email search by domain

<http://emailbydomain.com>

Auto manuals search

<http://auto.somanuals.com>

TV manuals search

<http://tv.somanuals.com>