

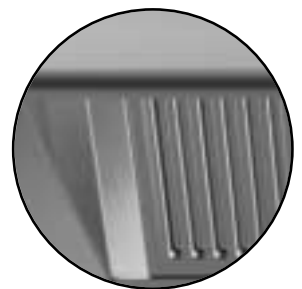
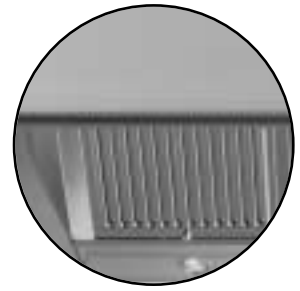
Dynamic Cooking Systems, Inc.

THE PROFESSIONAL EURO HOOD

Use and Installation Guide

Models:

- EH-30SS
- EH-36SS



A Message To Our Customers

Thank you for selecting this DCS Updraft Euro Hood. Because of its unique features, we have developed this Use and Installation Guide. It contains valuable information on how to properly operate and maintain your new Updraft Euro Hood for years of safe and enjoyable cooking.

To help serve you better, please fill out and return the Ownership Registration Card and keep this guide handy, as it will help answer questions that may arise as you use your Updraft Euro Hood.

For your convenience, product questions can be answered by a DCS Customer Service Representative by phone: 1-888-281-5698, or Fax: 714-372-7003,

or by mail:

DCS

Attention Customer Service,

5800 Skylab Road, Huntington Beach, CA 92647

WARNING

TO REDUCE THE RISK OF A RANGE TOP GREASE FIRE:

Never leave surface units unattended at high settings. Boilovers cause smoking and greasy spillovers that may ignite. Heat oils slowly on low or medium setting. Always turn the euro hood "ON" when cooking at high heat or when cooking flaming foods. Clean ventilating fans frequently. Grease should not be allowed to accumulate on fan or filter. Use proper pan size. Always use cookware appropriate for the size of the surface element.

WARNING

TO REDUCE THE RISK OF INJURY TO PERSONS IN THE EVENT OF A RANGE TOP GREASE FIRE, OBSERVE THE FOLLOWING: SMOTHER FLAMES with a close-fitting lid, cookie sheet, or metal tray, then turn off the burner. BE CAREFUL TO PREVENT BURNS. If the flames do not go out immediately EVACUATE AND CALL THE FIRE DEPARTMENT. NEVER PICK UP A FLAMING PAN - You may be burned. DO NOT USE WATER, including wet dishcloths or towels - a violent steam explosion will result. Use an extinguisher ONLY if:

- 1. You know you have a Class ABC extinguisher, and you already know how to operate it.*
- 2. The fire is small and contained in the area where it started.*
- 3. The fire department is being called.*
- 4. You can fight the fire with your back to an exit.*

**PLEASE RETAIN THIS MANUAL
FOR FUTURE REFERENCE.**

Table Of Contents

| | |
|---|-------|
| SAFETY PRACTICES & PRECAUTIONS | 3 |
| SPECIFICATIONS | 4 |
| PLANNING THE INSTALLATION | 5 |
| INSTALLATION INSTRUCTIONS | 6-11 |
| Tools Needed..... | 6 |
| Standard Installation Dimensions..... | 7 |
| Ceiling Height Variances..... | 8 |
| Calculate Duct Run Length..... | 9 |
| Wall Preparation..... | 9-10 |
| Installing Euro Hood..... | 10-11 |
| Optional Ductless Installation Kits..... | 11 |
| USE AND CARE | 12 |
| WIRING DIAGRAM | 13 |
| HOW TO OBTAIN SERVICE | 14 |
| WARRANTY | 15 |

This euro hood system is designed to remove smoke, cooking vapors and odors from the cooktop area.

⚠ WARNING: ALL WALL AND FLOOR OPENINGS WHERE THE EURO HOOD IS INSTALLED MUST BE SEALED.

Consult the cooktop or range installation instructions given by the manufacturer before making any cutouts. **MOBILE HOME INSTALLATION-** The installation of this euro hood must conform to the Manufactured Home Construction and Safety Standards, Title 24 CFR, Part 3280 (formerly Federal Standard for Mobile Home Construction and Safety, Title 24, HUD, Part 280). Four wire power supply must be used and the appliance wiring must be revised. See Electrical Requirements.

- Venting system **MUST** terminate outside the home.
- **DO NOT** terminate the ductwork in an attic or other enclosed space.
- **DO NOT** use 4" laundry-type wall caps.
- Flexible-type ductwork is not recommended.
- **DO NOT** obstruct the flow of combustion and ventilation air.
- Failure to follow venting requirements may result in a fire.
- Electrical ground is required on this euro hood.
- If cold water pipe is interrupted by plastic, non-metallic gaskets or other materials, **DO NOT** use for grounding.
- **DO NOT** ground to a gas pipe.
- **DO NOT** have a fuse in the neutral or grounding circuit. A fuse in the neutral or grounding circuit could result in electrical shock.
- Check with a qualified electrician if you are in doubt as to whether the euro hood is properly grounded.
- Failure to follow electrical requirements may result in a fire.

⚠ WARNING: TO REDUCE THE RISK OF FIRE, ELECTRICAL SHOCK, OR INJURY TO PERSONS, OBSERVE THE FOLLOWING:

Use this unit only in the manner intended by the manufacturer. If you have any questions, contact the manufacturer. Before servicing or cleaning unit, switch power off at service panel and lock the service disconnecting means to prevent power from being switched on accidentally. When the service disconnecting means cannot be locked, securely fasten a prominent warning device, such as a tag, to the service panel. Installation Work And Electrical Wiring Must Be Done By Qualified Person(s) In Accordance With All Applicable Codes And Standards, Including Fire-Rated Construction. Sufficient air is needed for proper combustion and exhausting of gases through the flue (chimney) of fuel burning equipment to prevent backdrafting. Follow the heating equipment manufacturer's guideline and safety standards such as those published by the National Fire Protection Association (NFPA), and the American Society for Heating, Refrigeration and Air Conditioning Engineers (ASHRAE), and the local code authorities. When cutting or drilling into wall or ceiling, do not damage electrical wiring and other hidden utilities.

NOTE: Ducted fans must always be vented to the outdoors.

FIG.01 Hood with optional Chimney

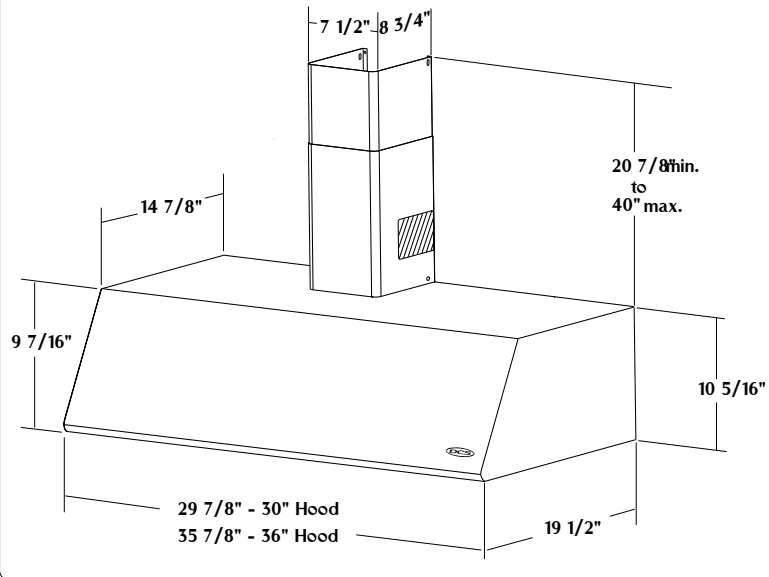


FIG.02a Duct / Bracket / Electrical Dimensions 30" Hood

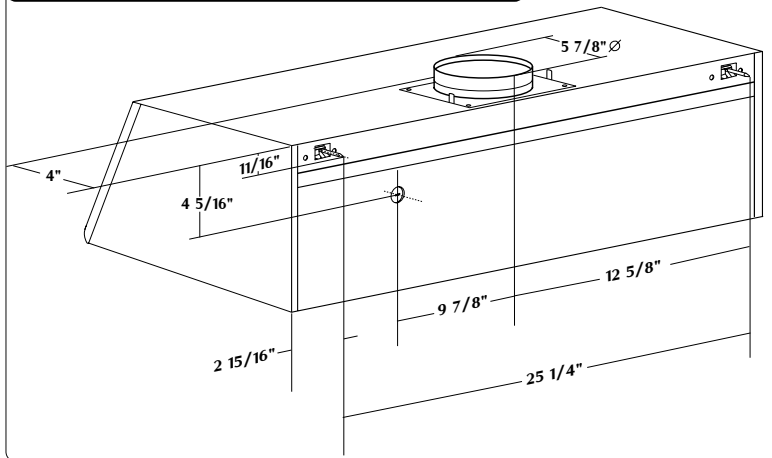
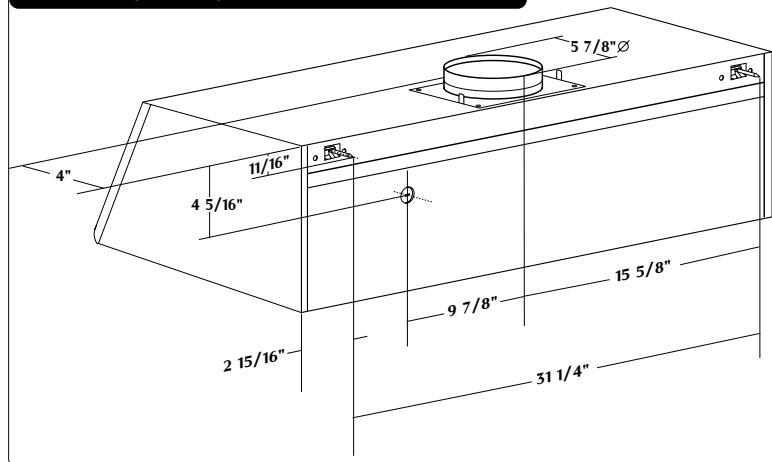


FIG.02b Duct / Bracket / Electrical Dimensions 36" Hood



VENTING REQUIREMENTS

Determine which venting method is best for your application. Ductwork can extend either through the wall or the roof. The length of the ductwork and the number of elbows should be kept to a minimum to provide efficient performance. The size of the ductwork should be uniform. Do not install two elbows together. Use duct tape to seal all joints in the ductwork system. Use caulking to seal exterior wall or floor opening around the cap. Flexible ductwork is not recommended. If it is used, each foot of flexible ductwork used is equivalent to two feet of straight metal ductwork when calculating the duct run length. Thus, a flexible elbow equals two standard elbows. Make sure there is proper clearance within the wall or floor for exhaust duct before making cutouts. Do not cut a joist or stud unless absolutely necessary. If a joist or stud must be cut, then a supporting frame must be constructed.

⚠ WARNING: *TO REDUCE THE RISK OF FIRE, USE ONLY METAL DUCTWORK.*

ELECTRICAL REQUIREMENTS

A 120 volt, 60 Hz AC-only electrical supply is required on a separate 15 amp circuit, fused on both sides of the line. A time-delay fuse or circuit breaker is recommended. The fuse must be sized per local codes in accordance with the electrical rating of this unit as specified on the serial/rating plate located inside the unit near the field wiring compartment.

THIS UNIT MUST BE CONNECTED WITH COPPER WIRE ONLY. Wire sizes must conform to the requirements of the National Electrical Code, ANSI/NFPA 70 -latest edition, and all local codes and ordinances. Wire size and connections must conform with the rating of the appliance. This appliance should be connected directly to the fuse disconnect (or circuit breaker) through flexible, armored or non-metallic sheathed copper cable. Allow some slack in the cable so the appliance can be moved if servicing is ever necessary. A UL Listed, 1/2" conduit connector must be provided at each end of the power supply cable (at the appliance and at the junction box). When making the electrical connection, cut a 1 1/4" hole in the wall. A hole cut through wood must be sanded until smooth. A hole through metal must have a grommet.

⚠ WARNING: *To reduce the risk of fire or electric shock, DO NOT use this fan with any solid state speed control device.*

CAUTION: *For General Ventilating Use Only. Do Not Use To Exhaust Hazardous or Explosive Materials and Vapors.*

TOOLS NEEDED FOR INSTALLATION

- Saber Saw or Jig Saw
- Drill
- 1 1/4 Wood Drill Bit
- Pliers
- Phillips Screwdriver
- Flat Blade Screwdriver
- Wire Stripper or Utility Knife
- Metal Snips
- Measuring Tape or Ruler
- Level
- Pencil
- Caulking Gun
- Duct Tape

PARTS SUPPLIED FOR INSTALLATION

- 1 Hardware Package
- 1 Literature Package

PARTS NEEDED FOR INSTALLATION

- 2 Conduit Connectors
- Power Supply Cable
- 1 Wall or Roof Cap
- All Metal Ductwork

This euro hood can be installed with (Fig. 03) or without (Fig. 04) an optional telescopic chimney kit (model #ECD-2SS). In a ducted application, this euro hood can be vented through the wall or ceiling. To vent through a wall, a 90° elbow is used. When installing ductless with a chimney kit, the euro hood vents out of grates on the sides of the ductless chimney kit (model #ECND-2SS). This ductless installation also requires a charcoal filter kit (model #ECF). When installing ductless without the optional chimney kit, some ductwork must be installed to divert the air out of the cabinet. This installation requires charcoal filter kit (model #ECF). See page 11 for more details on all ductless installations.

⚠ WARNING: Before making any cuts or holes for installation. Determine which venting method will be used and carefully calculate all measurements.

Standard installation for the euro hood requires the canopy to be mounted 30" above the countertop (Fig. 05a). The optional telescopic chimney kit can be adjusted for ceilings between eight 8' 2" and 9' 8" (Fig 05b).

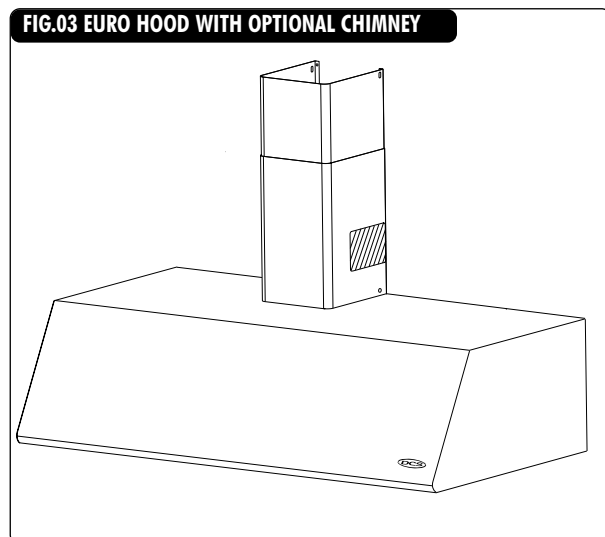


FIG.05A STANDARD INSTALLATION DIMENSIONS (FRONT VIEW)

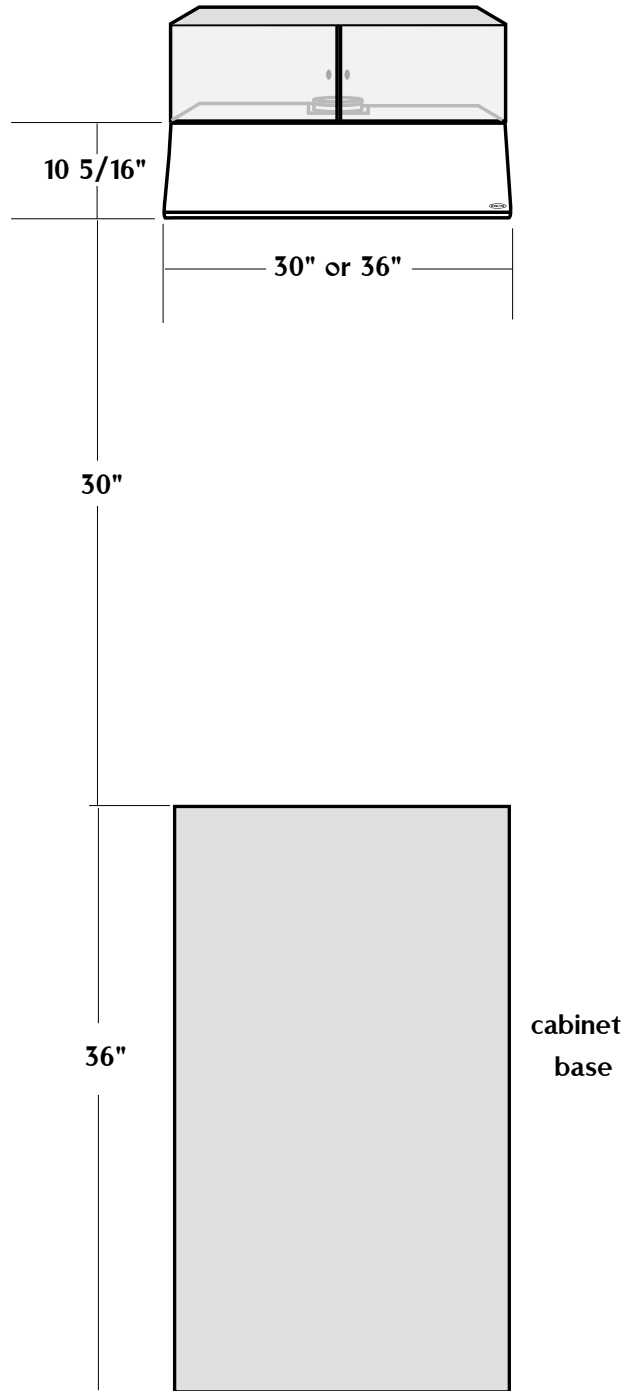
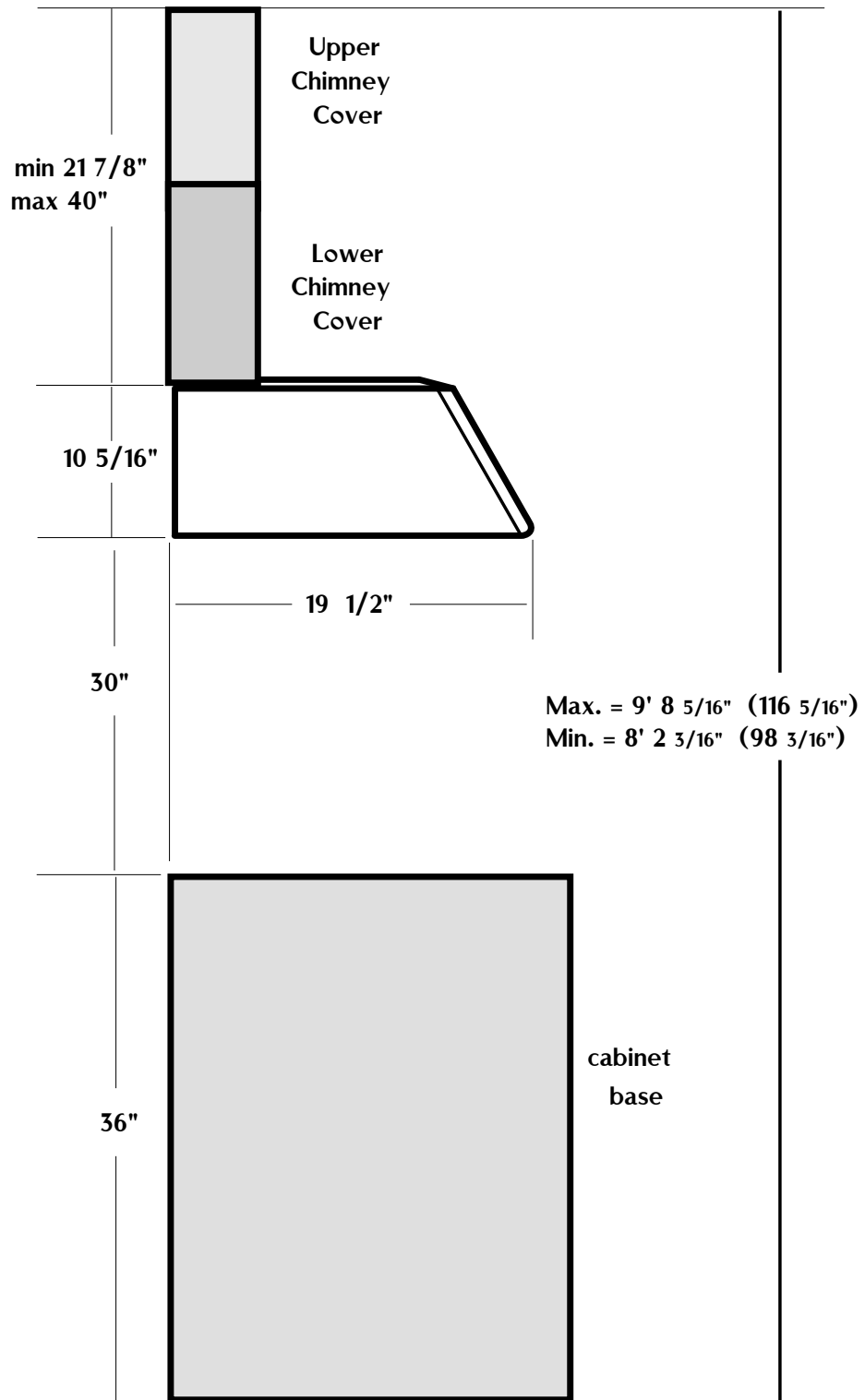


FIG.05B CEILING HEIGHT VARIANCES WITH OPTIONAL CHIMNEY KIT (SIDE VIEW)



CALCULATE THE DUCT RUN LENGTH

The duct run should not exceed 35 feet if ducted six inch (6") round ductwork. Calculate the length of the ductwork by adding the equivalent feet in fig. 06 for each piece of duct in the system an example is given in fig. 07. For best results, use no more than three 90° elbows. Make sure that there is a minimum of 24" of straight duct between elbows if more than one is used. **Do not install two elbows together.**

FIG.06

| | |
|----------------|-----------|
| 45° Elbow = | 5.0 feet |
| 90° Elbow = | 7.0 feet |
| 90° Flat Elbow | 12.0 feet |
| Wall Cap | 0.0 feet |

FIG.07

| | |
|----------------------|-----------|
| 9 Feet Straight Duct | 9.0 feet |
| 2 - 90° Elbows = | 14.0 feet |
| Wall Cap | 0.0 feet |
| Total System = | 23.0 feet |

⚠ WARNING: *Personal injury hazard due to the weight and size of the euro hood canopy, two or more people are needed to move and safely install the euro hood canopy. Failure to properly lift euro hood could result in damage to the product or personal injury.*

WALL PREPARATION

⚠ WARNING: *The screws provided for mounting this euro hood must be inserted into solid wood. These must not be inserted into sheet rock.*

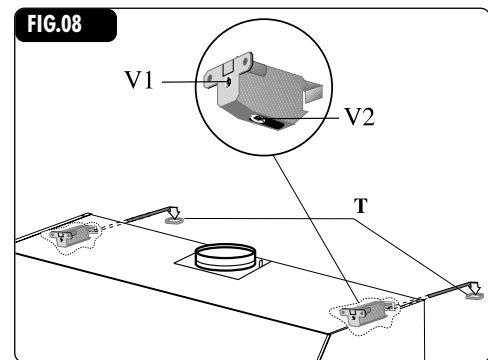
- 1) Disconnect and move freestanding range from cabinet opening to provide easier access to upper cabinet and rear wall. Put a thick, protective covering over cooktop, set-in range or countertop to protect from damage or dirt.
- 2) Determine and clearly mark with a pencil the centerline on the wall where the euro hood will be installed.
- 3) The euro hood attaches to the wall by mounting screws. For the 30" and 36" models, there are two mounting screws. Install the screws into the wall. The screws should be inserted into the wall until the screw head is flush with the wall.
- 4) The optional chimney kit is adjustable and designed to meet varying ceiling heights. The chimney attaches to the wall by two additional brackets. The top bracket should be installed about 1/8" away from the ceiling. The middle bracket must be installed at the bottom point of the upper chimney sleeve. Determine the proper location for each bracket and install the brackets on the wall. Attach the bottom of the lower chimney to the canopy using the screws provided.

CAUTION: *Make sure that the screws and brackets are securely fastened to the wall.*

- 5) Determine and make all necessary cuts in the wall for the ductwork. Each euro hood is shipped from the factory vented through the top. In order to vent to the rear, ductwork must run first vertical then elbow to the back. The dimensions for the duct openings are given in Fig. 02. Install all ductwork before installing the euro hood.
- 6) Determine the proper location for the power supply cable as indicated in Fig. 2a & 2b. **DO NOT** turn on the power until installation is complete.

INSTALLING THE EURO HOOD

- 1) Remove the unit from the carton and place on a flat surface for assembly. Cover the surface to prevent accidental damage. Remove all parts including the mounting hardware before discarding the carton.
- 2) **To remove filter:**
Pull knob forward (towards you) and turn to the left at same time.



- 3) Remove the cover from the field wiring compartment. Remove the wiring electrical knockout using a flat-blade screwdriver. Feed the power supply cable through the electrical knockout.
- 4) The canopy attaches to the wall by two screws discussed earlier in the installation instructions. The canopy hangs from these screws by brackets inside the euro hood shown in Fig. 08. Before attempting to hang the canopy, you should rotate the adjustment screw marked V1 in Fig. 08 counter clockwise to extend the brackets from the canopy. Using a Phillips head screwdriver, rotate this screw counter clockwise to extend the bracket.
- 5) Install the damper before hanging the euro hood. The damper attaches to the euro hood by two small screws provided in the hardware package.
- 6) Hang the euro hood canopy from the screws. **Due to the weight of the canopy, these screws must be installed into solid material!** Once the canopy is hung, rotate the screw marked V1 to secure the euro hood to the wall.

NOTE: Make sure that the euro hood is securely attached to the wall! Failure to properly install could result in injury or damage to property.

(continued on page 11)

- 7) The brackets shown in Fig. 08 are also used to adjust the level of the canopy. Using a Phillips screwdriver, rotate the screw V2 to adjust the level of the canopy.
- 8) Connect the Power Supply Cable to the euro hood. Attach the **White** lead of the power supply to the **White** lead of the euro hood with a twist-on type wire connector. Attach the **Black** lead of the power supply to the **Black** lead of the euro hood with a twist-on type wire connector. Connect the **Green (Green and Yellow)** ground wire under the **Green** grounding screw.
- 9) Replace the field wiring compartment cover and the grease filters.
To install grease filter: Put the end of grease filter without the knob into the channel in the front of hood. Turn knob to the left so the lever does not protrude from filter. Insert knob end of grease filter into the channel in the back of the hood. Turn knob to the right, locking filter in place.
- 10) Turn the power supply on. Turn on blower and light. The euro hood controls are located on the right-hand side under the canopy. If the euro hood does not operate, check that the circuit breaker is not tripped or the house fuse blown. If the unit still does not operate, disconnect the power supply and check that the wiring connections have been made properly.

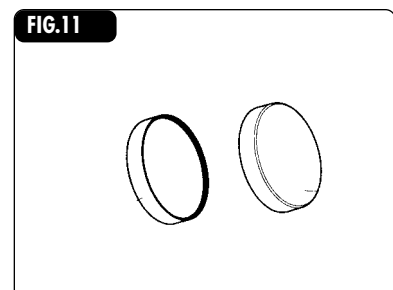
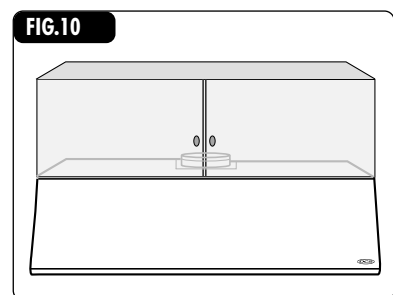
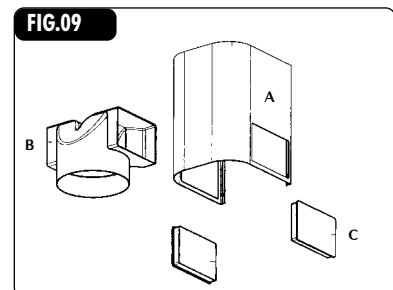
DUCTLESS INSTALLATION KITS

The euro hood can be installed ductless in both chimney and no chimney (under cabinet) installation. To install ductless in a chimney installation, you must have the ductless chimney kit (model #ECND-2SS) fig. 09 and the charcoal filter kit (model #ECF) fig. 11. To install ductless in a no chimney installation (under cabinet) fig. 10 you must have the charcoal filter kit fig. 11.

The ductless chimney kit consists of an upper chimney (not pictured), a lower chimney (A) with two holes for the exhaust air, a ductless diverter (B) which sits on the canopy of the hood and diverts the air to the sides of the chimney, and two vent grates (C) to cover the holes in the lower chimney.

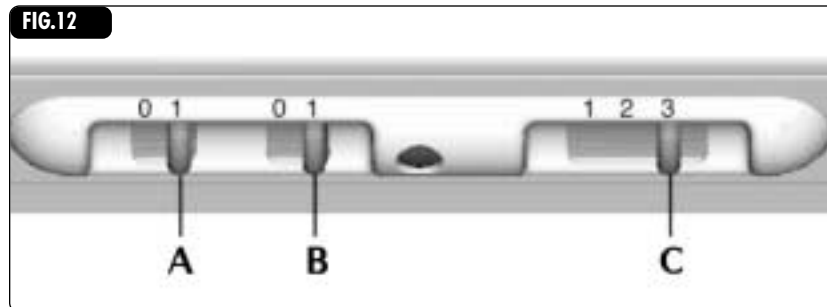
The charcoal filter kit contains two charcoal filters which twist onto either side of the blower inside the euro hood.

When installing ductless without the optional chimney kit, some ductwork must be installed to divert the air either out of the top of the cabinet or to the face of the soffit. **The duct work can not terminate inside the cabinet or into any dead air space.**



CONTROL PANEL

The control panel is located on the right-hand side under the canopy.



LIGHT ON/OFF SWITCH (A)

On/Off switch for the halogen light. Move the switch to "1" to turn the light ON and to "0" to turn it OFF.

BLOWER ON/OFF SWITCH (B)

On/Off switch for the blower. Move the switch to "1" to turn the blower ON and to "0" to turn it OFF.

BLOWER SPEED SWITCH (C)

Speed control for blower. Move the switch to position 1 for LOW Speed, 2 for MEDIUM speed and 3 for HIGH speed.

For Best Results Start the euro hood before cooking and allow the unit to operate for several minutes after cooking is complete to clear all smoke and odors from the kitchen.

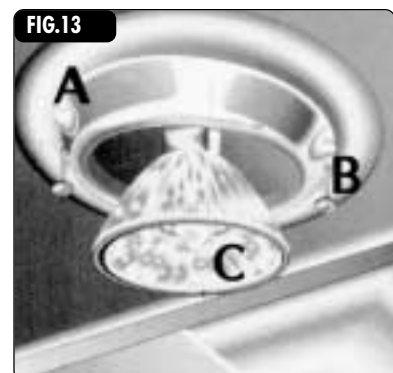
CLEANING

The metal grease filters should be cleaned frequently in hot detergent solution or washed in the dishwasher. Clean exterior surfaces with a commercially available stainless steel cleaner. Abrasives and scouring agents can scratch stainless steel finishes and should not be used to clean finished surfaces.

REPLACING THE HALOGEN LAMPS

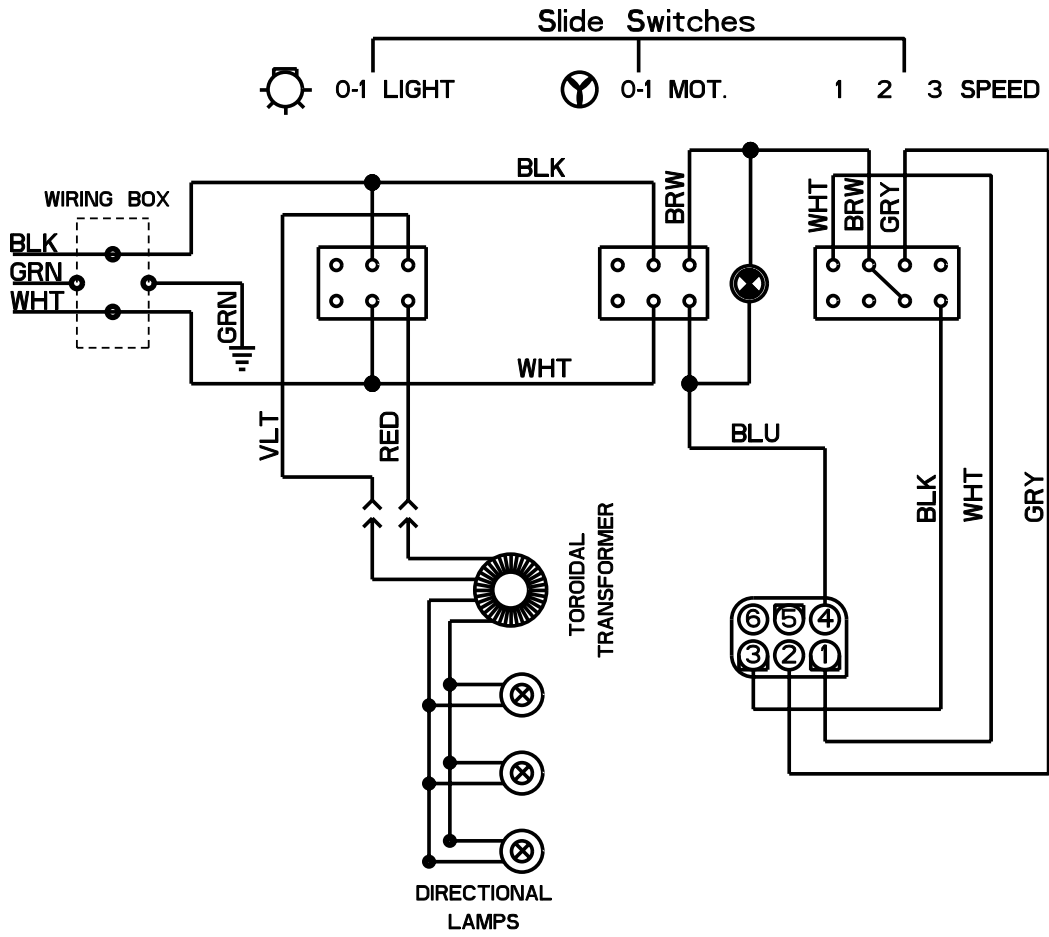
⚠ WARNING: Before you begin, make sure that the euro hood is turned off and that the other lamps have had sufficient time to cool. Halogen bulbs burn extremely hot and serious injury could result from touching a hot bulb.

To replace the lamp, the bezel (A) around the lamp(C) must be removed. The bezel (A) is held in place by two screws (B). Remove the two screws and the bezel. Then remove the lamp and replace with a new lamp. Once the new lamp is in place, reinstall the bezel.



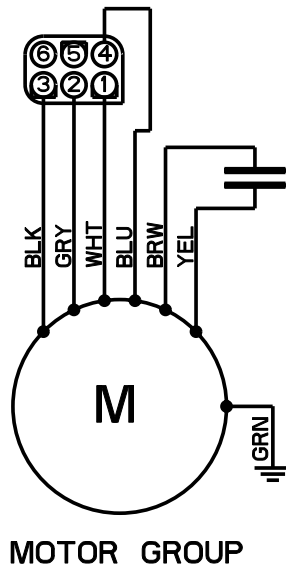
NOTE: This euro hood uses 20 watt Halogen Lamps.

Wiring Diagram 30" & 36" Hoods



4 - 1 = 1° V
 4 - 2 = 2° V
 4 - 3 = 3° V

| CONDENSATORE | TENSIONE |
|--------------|------------------------------|
| 10 μ F 400 V | 200-240 V 50-60 Hz |
| 25 μ F 240 V | 120V 60 Hz 100 V 50-60 Hz |



HOW TO OBTAIN SERVICE:

Before you call for service:

- 1) Is the circuit breaker tripped or the fuse blown?
- 2) Is there a power outage in the area?

For warranty service, contact your local DCS authorized service agency. Provide service agency with the Model Number, Serial Number, and date of installation, and a brief description of the problem. If you need assistance in locating the authorized service agency in your area please contact our DCS Consumer Service Department for an authorized service agent near you, our number is (888) 281-5698.

Your satisfaction is of the utmost importance to us. If a problem cannot be resolved to your satisfaction, please write or fax us at:

Write:

DCS

Attention: Consumer Relations

5800 Skylab Road Huntington Beach, CA 92647

Fax us at: (714) 372-7003

LENGTH OF WARRANTY

- One (1) Year Full parts and Labor Covers the entire product
- Five (5) Year Limited warranty covering the switches and motor.

DCS WILL PAY FOR

All repair labor and parts found to be defective due to materials or workmanship for one full year **"IN HOME"** warranty during the first year of ownership. This does not apply if the unit was subjected to other than normal household use. Service must be provided by Authorized Factory Agent during normal working hours. No charges will be made for repair or replacement at the location of initial installation or factory for parts returned pre-paid, through the dealer and claimed within the warranty period, and found by DCS to be defective.

Replacement will be F.O.B. DCS, and DCS will not be liable for any transportation costs, labor costs, or export duties. This warranty shall not apply, nor can we assume responsibility for damage that might result from failure to follow manufactures instructions or local codes, where the appliance has been tampered with or altered in anyway or which, in our judgement, has been subjected to misuse, negligence, or accident. Implied warranty shall not extend beyond the duration of this written warranty. This warranty is in lieu of all warranties expressed or implied and all other obligations or liability in connection with the sale of this appliance.

DCS WILL NOT PAY FOR

- Installation or start-up.
- Shipping damage.
- Service by an unauthorized agency.
- Damage or repairs due to service by an unauthorized agency or the use of unauthorized parts.
- Service during other than normal working hours.
- Improper installation, such as improper hook-up, etc.
- Service visits to teach you how to use the appliance; correct the installation; reset circuit breakers or replace home fuses.
- Repairs due to other than normal household use.
- Damage caused from accident, abuse, alteration, misuse, incorrect installation or installation not in accordance with local codes.
- Units installed in non-residential application such as day care centers, bed and breakfast centers, churches, nursing homes, restaurants, hotels, schools, etc.

This warranty applies to appliances used in residential applications; it does not cover their use in commercial situations. This warranty is for products purchased and retained in the 50 states of the U.S.A., the District of Columbia and Canada. This warranty applies even if you should move during the warranty period. Should the appliance be sold by the original purchaser during the warranty period, the new owner continues to be protected until the expiration date of the original purchaser's warranty period. This warranty gives you specific legal rights. You may also have other rights which vary from state to state.



5800 Skylab Road, Huntington Beach, CA. 92647 Tel: (714) 372-7000
Fax: (714) 372-7001 Parts/Customer Service (888) 281-5698
www.dcsappliances.com

As product improvement is an ongoing process at DCS, we reserve the right to change specifications or design without notice.

Part No. 17386 Rev.A
Litho in USA 06/2001

Free Manuals Download Website

<http://myh66.com>

<http://usermanuals.us>

<http://www.somanuals.com>

<http://www.4manuals.cc>

<http://www.manual-lib.com>

<http://www.404manual.com>

<http://www.luxmanual.com>

<http://aubethermostatmanual.com>

Golf course search by state

<http://golfingnear.com>

Email search by domain

<http://emailbydomain.com>

Auto manuals search

<http://auto.somanuals.com>

TV manuals search

<http://tv.somanuals.com>