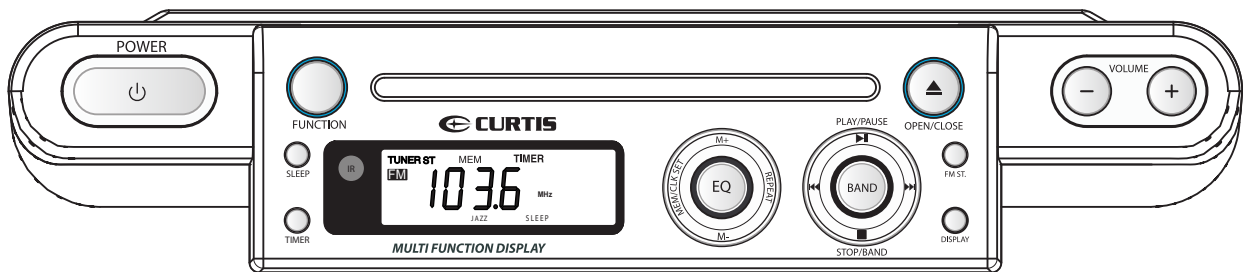




MODEL NO. KCR2609

UNDERCOUNTER CD CLOCK RADIO

OWNER'S MANUAL



PLEASE READ BEFORE OPERATING THIS EQUIPMENT

SAFETY PRECAUTIONS



CAUTION

RISK OF ELECTRIC SHOCK
DO NOT OPEN



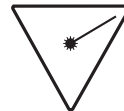
CAUTION: TO REDUCE THE RISK OF ELECTRIC SHOCK, DO NOT REMOVE COVER (OR BACK). NO USER-SERVICEABLE PARTS INSIDE. REFER SERVICING TO QUALIFIED SERVICE PERSONNEL.



The lightning flash with arrowhead symbol within an equilateral triangle is intended to alert the user to the presence of uninsulated 'dangerous voltage' within the product's enclosure that may be of sufficient magnitude to constitute a risk of electric shock to persons.



The exclamation point within an equilateral triangle is intended to alert the user to the presence of important operating and maintenance (servicing) instructions in the literature accompanying the appliance.



DANGER:
Invisible and hazardous laser radiation when open and interlock failed or defeated. Avoid direct exposure to beam.

FCC WARNING:

This equipment may generate or use radio frequency energy. Changes or modifications to this equipment may cause harmful interference unless the modifications are expressly approved in the instruction manual. The user could lose the authority to operate this equipment if an unauthorized change or modification is made.

LASER SAFETY: This unit employs a laser. Only qualified service personnel should attempt to service this device due to possible eye injury.

CAUTION: USE OF CONTROLS, ADJUSTMENTS OR PERFORMANCE PROCEDURE HEREIN MAY RESULT IN HAZARDOUS RADIATION EXPOSURE.

PLEASE KEEP ALL PACKAGING MATERIAL FOR AT LEAST 90 DAYS IN CASE YOU NEED TO RETURN THIS PRODUCT TO YOUR PLACE OF PURCHASE OR CURTIS.

PREPARATION FOR USE

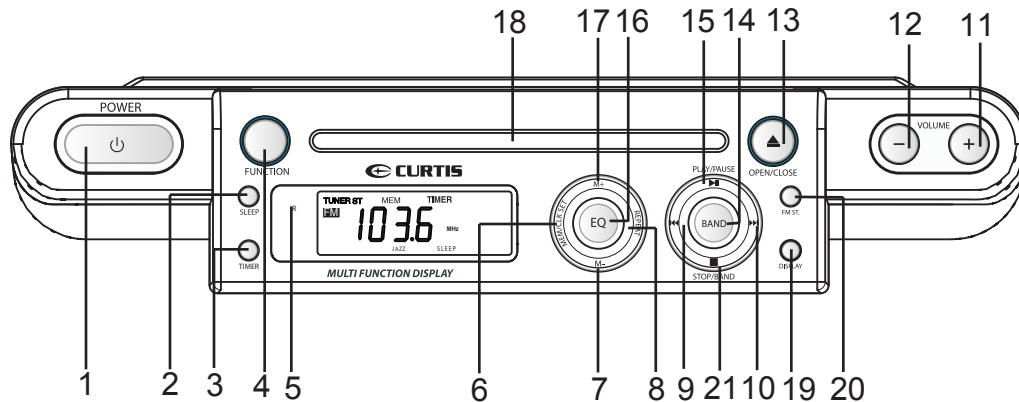
Unpacking and Setup

Carefully remove the unit from the display carton and remove all packing material from the unit itself.

AC Operation

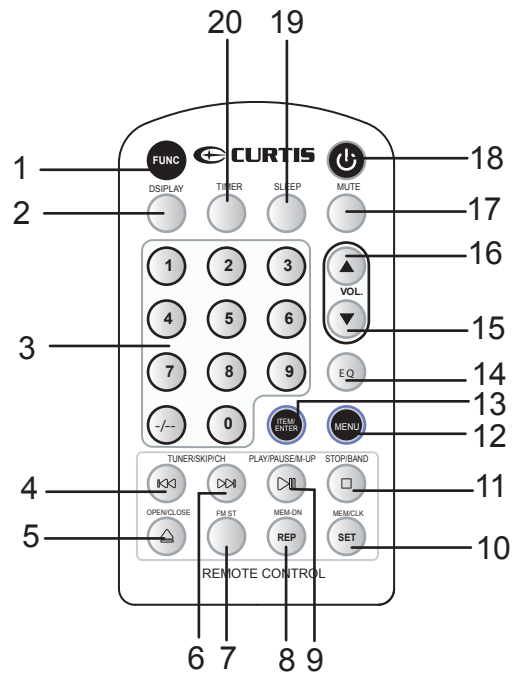
Unwind the AC cord and extend it to its full length. Insert the AC cord into any convenient AC 120V~60Hz household outlet.

LOCATION OF CONTROLS



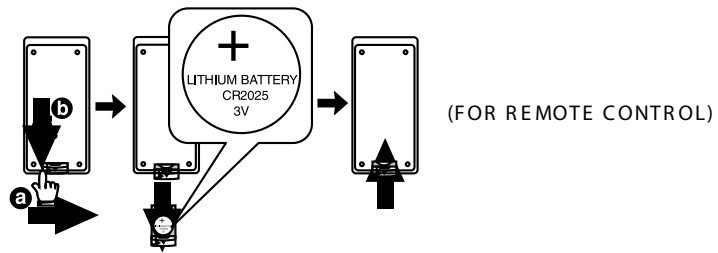
- | | |
|---------------------------|-------------------------|
| 1. □ POWER BUTTON | 11. ▽VOL UP BUTTON |
| 2. □ SLEEP BUTTON | 12. ▽VOL DN BUTTON |
| 3. □ TIMER BUTTON | 13. ◻ OPEN/CLOSE BUTTON |
| 4. □ FUNCTION BUTTON | 14. BAND BUTTON |
| 5. □ REMOTE SENSOR | 15. ▢ PLAY/PAUSE BUTTON |
| 6. □ MEM/CLK SET BUTTON | 16. ▢ EQ BUTTON |
| 7. □ MEM DN BUTTON | 17. ▢ MEM UP BUTTON |
| 8. □ REPEAT BUTTON | 18. ◻ CD DOOR |
| 9. □ SKIP/TUNE DN BUTTON | 19. ◻ DISPLAY BUTTON |
| 10. □ SKIP/TUNE UP BUTTON | 20. ◻ FM ST BUTTON |
| | 21. ◻ STOP BUTTON |

LOCATION OF REMOTE CONTROLS



- | | |
|---------------------------|-------------------------|
| 1. □ FUNCTION BUTTON | 11. □ STOP/BAND BUTTON |
| 2. □ DISPLAY BUTTON | 12. □ MENU BUTTON |
| 3. □ NUMBERDIAL BUTTONS | 13. □ ITEM/ENTER BUTTON |
| 4. □ SKIP/TUNE DN BUTTON | 14. □ EQ BUTTON |
| 5. □ OPEN/CLOSE BUTTON | 15. □ VOLUME DN BUTTON |
| 6. □ SKIP/TUNE UP BUTTON | 16. □ VOLUME UP BUTTON |
| 7. □ FM ST BUTTON | 17. □ MUTE BUTTON |
| 8. □ MEM DN/REPEAT BUTTON | 18. □ POWER BUTTON |
| 9. □ PLAY/PAUSE BUTTON | 19. □ SLEEP BUTTON |
| 10. □ MEM/CLK/SET BUTTON | 20. □ TIMER BUTTON |

POWER SOURCES



BATTERIES

NOTE:

The button cell battery contains mercury, don't put in the trash. Recycle or dispose as hazardous waste.

NOTE:

You may need to remove a protective covering from the remote's battery compartment before using the remote control.

OPERATING INSTRUCTIONS

Setting up your radio

For instructions on mounting your radio, see the mounting template that came with your radio.

Checking AM Radio reception

Your clock radio has a built-in antenna for AM radio. To improve reception, you need to rotate your clock radio.

Before you mount your clock radio under a counter, tune to an AM station and rotate your clock radio until you get the best reception.

This is the orientation you need to use when you mount your clock radio. For more information, see "Improving reception" on page 10.

Installing the backup batteries

Your clock radio uses two AAA backup batteries that store your settings. You cannot use the batteries to power your clock radio. If your clock radio does not save your settings, you may need to replace the batteries.

To install the backup batteries:

1. Open the battery compartment located on the left side of your radio.
2. Insert two AAA batteries (not included) into the battery compartment.
 - Make sure that the + and - symbols on the batteries align with the + and - symbols in the battery compartment.
3. Close the battery compartment.

OPERATING INSTRUCTIONS

Using your radio

To turn on your radio:

1. Plug the AC Power cord into a power outlet.
2. Press the POWER button to turn on the radio.

Setting the time

To set the time on your radio:

1. With the power off.
2. Press and hold the MEM/CLK SET Button; "12Hr" will blink.
3. Press the SKIP/TUNING Button to set the unit to the 24 hour (24Hr) mode or 12 hour (12Hr) mode.
4. Press the MEM/CLK SET Button and the hours will blink.
5. Press the SKIP/TUNING Button to set the current hour, then press the MEM/CLK SET again; the minute digits will blink. Press the SKIP/TUNING to set the current minutes.
6. Press the MEM/CLK SET Button to confirm the time.

To set the kitchen timer:

1. Press the TIMER button one or more times to select a length of time in minutes. The initial time is 240 minutes. Each time you press the TIMER Button, the length of time decreases by 10 minutes.
2. To increase or decrease the length of time from one to nine minutes, press one of the SKIP/TUNING Button one or more times. Each time you press a SKIP/TUNING Button the length of time increase or decrease by one minute.
3. When the alarm sounds, press the TIMER Button for five seconds to turn off the alarm.
4. To cancel the timer, press the TIMER Button for five seconds.

To activate sleep function:

1. Press the SLEEP button and "90" will appear and set the unit to turn off after 90 minutes. Each time you press the SLEEP button, the length of time decreases by 10 minutes.
2. After five seconds, the Sleep function will activate and the SLEEP indicator will light solid. Pressing the SLEEP button again until "OFF" appears and turns off the Sleep feature.
-

OPERATING INSTRUCTIONS

To listen to your radio:

1. Press the POWER Button to turn on your radio.
2. Press the FUNCTION Button one or more times until TUNER appears on the display.
3. Press the BAND Button to select AM or FM.
4. Press and hold one of the SKIP/TUNING Buttons to go to an available radio station.
5. Press one of the VOLUME Buttons to adjust the volume.

Improving reception:

Your clock radio has an FM antenna on the back. If you are listening to an FM station and the reception is poor, move the antenna until reception improves.

If you are listening to an AM station and reception is not clear, rotate your radio slightly until reception improves.

Programming radio station presets:

You can program as many as 10 FM and 10 AM radio station presets. After you program a station, you can tune to the station by pressing one of the SKIP/TUNE Buttons.

To program a radio station:

1. Press the POWER Button to turn on your radio.
2. Press the FUNCTION Button one or more times until TUNER appears on the display.
3. Press the BAND Button to select AM or FM.
4. Press and hold one of the SKIP/TUNE Buttons to select a radio station.
5. Press and hold the MEM/CLK SET Button to activate the programming mode.
6. Press one of the SKIP/TUNING Buttons to select the preset number you want to assign the station to.
7. Press the MEM/CLK SET Button to store the station with the preset number you selected.
8. Repeat Steps 4 through 7 to program additional presets.

OPERATING INSTRUCTIONS

To tune to a radio station preset:

1. Press the POWER Button to turn on your radio.
2. Press the FUNCTION button one or more times until TUNER appears on the display.
3. Press the BAND Button to select AM or FM.
4. Press the MEM DN or MEM UP Button one or more times until the preset number you want appears on the display.

To select an equalizer mode:

Press the EQ Button one or more times to select the mode you want

You can select:

- * Classic
- * Jazz
- * Rock
- * Pop

To Listen to a CD

Your radio can play audio CDs, CD-Rs and CD-RWs. CD-Rs and CD-RWs must be finalized before you can play them on your radio.

To listening to a CD:

1. Press the POWER Button to turn on your radio.
2. Press the FUNCTION Button one or more times until "--" appears on the display.
3. Press the OPEN/CLOSE Button to open the CD tray.
4. Place a CD with the label side up into the CD tray.
5. Press the OPEN/CLOSE Button to close the CD tray.
6. Press the PLAY/PAUSE Button to start playback.
7. To control the CD during playback:
 - * Press the PLAY/PAUSE Button to pause playback. Press the button again to resume playback.
 - * Press one of the SKIP/TUNING Buttons to go to the next or previous track on the CD.
 - * Press and hold one of the SKIP/TUNING Buttons to search for a track on the CD.
8. Press the STOP Button to stop playback.

OPERATING INSTRUCTIONS

To set up a CD playlist:

1. Press the POWER Button to turn on your radio, then Press the FUNCTION Button one or more times until "--" appears on the display.
2. Insert a CD into the CD tray. If the CD starts playing, press the STOP Button.
3. Press the MEM/CLK SET Button. "PROG 0" appears on the display.
4. Press one of the SKIP/TUNING Buttons one or more times to select the first track you want to program.
5. Press the MEM/CLK SET Button to confirm your selection.
6. Repeat Step 4 and 5 to add more tracks to your playlist.
7. Maximum can store up to 20 tracks.
8. When you have finished creating your playlist, press the PLAY/PAUSE Button to start playing your playlist.

To edit a CD playlist:

1. While the CD is playing, press the STOP Button to stop playback.
2. Press the MEM/CLK SET Button to select one of the programmed tracks.
3. Press one of the SKIP/TUNING Buttons one or more times to select a new track you want to program.
4. Repeat Steps 2 and 3 to edit additional track selections.

To cancel a playlist:

While the CD is playing, do one of the following:

- * Press the STOP Button twice.
- * Press the FUNCTION Button.
- * Press the OPEN/CLOSE Button to open the CD tray.
- * Press the POWER Button to turn off your radio.

To repeat a track or an entire CD:

1. Press the POWER Button to turn on your radio.
2. Press the FUNCTION Button one or more times until "--" appears on the display.
3. Press the OPEN/CLOSE Button to open the CD tray.
4. Place a CD with the label side up in the tray, then press the OPEN/CLOSE button to close the tray.
5. Press the PLAY/PAUSE Button to start playback.

OPERATING INSTRUCTIONS

- 6. If you want to repeat a single track, press one of the SKIP/TUNING Buttons
- one or more times to find the track you want to repeat, then press the
- REPEAT button once.
-
- OR
- If you want to repeat the entire CD, press the REPEAT Button twice.
- 7. To cancel repeat mode, press the REPEAT Button again.

To connect an external audio input device:

- 1. Make sure that your radio is turned off and unplugged from the power
- outlet.
- 2. Plug the left and right audio connectors on an audio cable (not included)
- into the L and R AUX IN jacks on the rear side of your clock radio.
- 3. Plug the other end of the audio cable into the other equipment Audio out jack
- on the audio output device.
- 4. Plug the AC power cord into an power outlet, then press the POWER button
- to turn on your radio.
- 5. Press the FUNCTION Button one or more times until AUX appears on the
- display.
- 6. Turn on the external audio device and use the device's controls to control
- playback.

Maintenance

To clean the exterior

- * Use a soft cloth dampened with luke warm water only to clean the exterior
- of your radio.
- * Make sure that you do not drip water into your radio.
- * Do not use solvents, such as benzene, because they may damage the
- finish.

Caring for discs

- * A dirty, scratched, or warped CD may cause skipping or noise.

OPERATING INSTRUCTIONS

To clean the lens

- * If the lens get dirty, your player may skip or may not play a CD
- 1. Open the CD tray.
- 2. Use a camera lens blower/brush to blow on the lens once or twice, brush the dust or particles off the lens, then blow again.
- 3. To remove fingerprints, use a dry cotton swab to wipe from the middle to outer edge of the lens.
-

TROUBLESHOOTING GUIDE

PROBLEM	POSSIBLE CAUSE	SOLUTION
---------	----------------	----------

GENERAL

No sound is heard.	Power is not on.	Press the POWER button.
	VOLUME Control is set to minimum.	Adjust the VOLUME Control.
	Mute is on.	Press Mute on remote.

RADIO

No sound is heard.	Station has not been tuned properly.	Tune station properly
	FM reception is weak.	Extend the FM cord.
	Wrong function is selected.	Press the FUNCTION button to the radio position.

CD

All or part of the CD will not play. □	CD is inserted incorrectly.	Make sure that the CD is placed in the tray with the label side up.
	CD is scratched.	Try another CD.
	CD is dirty	Clean the CD with soft cloth
	CD is warped	Try another CD.
	Condensation has formed inside your CD player.	Remove the CD and leave the CD tray open for about one hour to let the CD player dry out.
	Function switch is not set to CD.	Set Function switch to CD
	CD compartment not closed	Close CD compartment door.

Free Manuals Download Website

<http://myh66.com>

<http://usermanuals.us>

<http://www.somanuals.com>

<http://www.4manuals.cc>

<http://www.manual-lib.com>

<http://www.404manual.com>

<http://www.luxmanual.com>

<http://aubethermostatmanual.com>

Golf course search by state

<http://golfingnear.com>

Email search by domain

<http://emailbydomain.com>

Auto manuals search

<http://auto.somanuals.com>

TV manuals search

<http://tv.somanuals.com>