

# Cuisinart®

INSTRUCTION  
BOOKLET



**Professional Popcorn Maker**

**WPM-25A**

For your safety and continued enjoyment of this product, always read the instruction book carefully before using.  
Download from [Www.Somanuals.com](http://www.Somanuals.com). All Manuals Search And Download.

---

# IMPORTANT SAFEGUARDS

When using any electrical appliance, basic safety precautions should always be followed, including the following:

1. **READ ALL INSTRUCTIONS BEFORE USING YOUR POP-CORN MACHINE.**
2. Do not touch hot surfaces. Always use handles or knobs to operate.
3. To avoid any risk of electrical shock, do not immerse cord or plug into water or other liquid.
4. This appliance should not be used by or near children, or individuals with certain disabilities.
5. **UNPLUG MAIN POWER CORD FROM OUTLET WHILE NOT IN USE AND BEFORE CLEANING.**
6. Allow HOT parts to cool down before maneuvering and cleaning.
7. Do not operate the appliance with damaged cord or plug, or after the appliance malfunctions or has been damaged in any matter. Send the unit to the nearest authorized service center for examination, repair or adjustment. (ONLY technicians should open up the unit.)
8. The use of any accessories or attachments not recommended by the manufacturer may cause injury.
9. Do not pop the kernels with a dry kettle (without oil).
10. Do not immerse popping kettle into water.
11. Kettle surface is HOT and should NOT be touched during popping or just after use.
12. Unplug, allow to cool, clean and cover the unit and store in a dry and safe place if not being used for a long time.
13. Do not let power cord hang over edge of table or counter or touch any hot surfaces.
14. Do not place the unit on or near a hot gas or electric burner or in a heated oven.
15. Extreme caution must be paid when moving the appliance containing hot oil or other hot liquids.
16. Turn ALL switches to OFF position before disconnecting power plug from the wall supply outlet.
17. Not recommended for outdoor use.
18. Do not use appliance for other than intended use.
19. To avoid overheating, always add oil and then kernels before operating.

- 
20. Extreme caution must be used when unloading popcorn. Always place the unit over a countertop so that residual hot oil or water running out will not cause burns.
  21. KEEP OUT OF REACH OF CHILDREN.
  22. DO NOT CLEAN USING ANY ABRASIVE MATERIAL.
  23. NEVER FORCE ANY PARTS OR BRACKETS INTO POSITION.
  24. CAUTION: A burn can result from misuse of this product. Read popping instructions for proper operating procedure.
  25. No parts are intended for dishwasher.
  26. A popper that is plugged into an outlet should not be left unattended.

This appliance is not intended for use by persons (including children) with reduced physical, sensory or mental capabilities, or lack of experience and knowledge, unless they have been given supervision or instruction concerning use of the appliance by a person responsible for their safety.

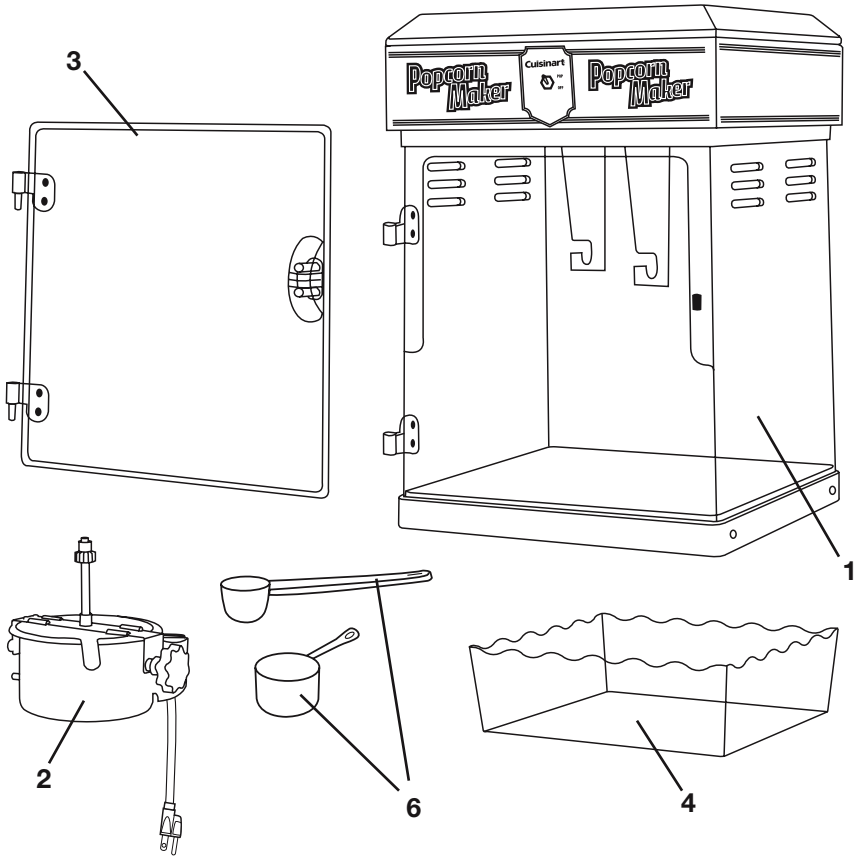
Children should be supervised to ensure that they do not play with the appliance.

## **SAVE THESE INSTRUCTIONS FOR HOUSEHOLD USE ONLY**

### **POWER CORD INSTRUCTION**

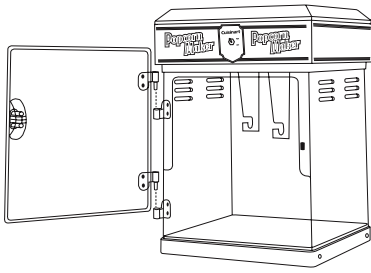
1. A short power-supply cord is provided to reduce the risk resulting from becoming entangled in or tripping over a longer cord.
2. Longer detachable power-supply cords or extension cords are available and may be used if care is exercised in their use.
3. If a long detachable power-supply cord or extension cord is used:
  - a) The marked electrical rating of the extension cord should be at least as great as the electrical rating of the appliance.
  - b) If the appliance is of the grounded type, the extension cord should be a grounding 3-wire cord.
  - c) The longer cord should be arranged so that it will not drape over the countertop or tabletop where it can be pulled on by children or tripped over unintentionally.

# PARTS

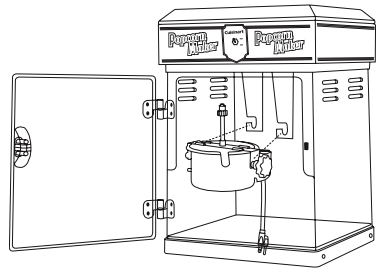


## ASSEMBLING PROCEDURE

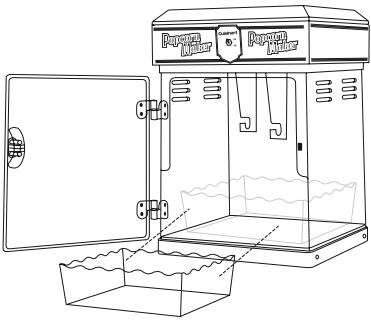
1. Housing
2. Kettle, Lid and Stirrer
3. Door (removable)
4. Tray (removable)
5. Light (not shown)
6. Measuring Spoon and Cup



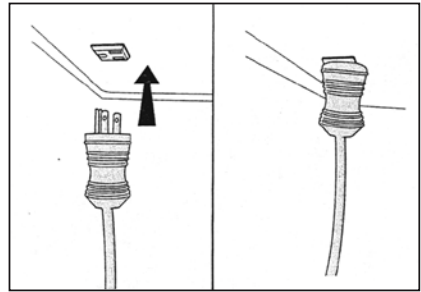
**FIGURE 1**  
Place door on hinges.



**FIGURE 2**  
Hook the kettle onto the  
hanger of the main unit.



**FIGURE 3**  
Insert tray.



**FIGURE 4**  
Finally, insert the internal  
kettle plug into the socket  
on the inner top of the  
popcorn housing.

## POPPING INSTRUCTIONS

1. Follow assembly procedure.
2. Make sure the popcorn maker is unplugged before you do any of the following.
3. Before using the unit, please check carefully to be sure voltage (120V – 60 Hz ) is suitable to your home.
4. Clean the internal surface of the kettle with warm sudsy water, rinse well and dry with a clean cloth. Wipe down inner and outer housing with damp cloth.
5. Main unit has a 2-function switch as follows:
  - POP to turn heater, stirrer and light on

- 
- OFF to turn power off
6. Insert the internal plug into the socket (see figure 4, previous page).
  7. Plug the power cord into an electric outlet.
  8. Before pouring oil or popcorn, lift lid up using the lid tab. Turn the switch to the POP position. The stirrer will begin to rotate in the kettle. Let the stainless steel kettle preheat about 2 to 3 minutes. Add oil (1 tablespoon of vegetable, corn, peanut, or safflower oil). Immediately add 1/3 cup of corn kernels (Note: 1/3 measuring cup included) and close lid to the kettle. Caution: Lid might be hot – it is recommended to use an oven mitt.
  9. Popcorn starts popping out through the lid after about 2 minutes. Yields up to 8 cups per batch in less than 3 minutes.
  10. When unit is finished popping – you will no longer hear the corn popping – immediately turn switch to the Off position and rotate the knob of the kettle down to release any remaining popcorn in the popper. This will also stop the remaining popcorn from cooking any further and avoid possible burning.
  11. Keep POP switch off if the unit is not continuously in use.
  12. Remove plug from power supply if the unit is not being used.
  13. Repeat steps 8 to 10 for continuous popping.

## **CLEANING AND MAINTENANCE**

It is strongly recommended to clean the kettle frequently to avoid burning excess oil onto the bottom of the inner pot.

After using the popcorn machine, let it cool, and use a wet cloth to clean the main unit, main body and door.

It is strongly recommended to wash and dry the tray after each use to avoid any bacteria buildup. The light bulb is replaceable with a 120 volt/10 watt bulb.

## **QUICK CLEANING PROCEDURE**

Turn the POP control to Off. Pour 4 to 6 ounces of water (NO detergent is necessary) into inner pot. Switch to POP to boil the water and let the stirrer turn in order to remove excess oil stuck on the surface. After cooling, pour out the water into a deep bowl and discard after about 1 to 2 minutes of boiling. **CAUTION: THE KETTLE IS HOT.**

Or, remove the kettle and clean it with a Scotch-Brite® scouring pad. Do not immerse kettle or electrical plug in water.

---

# WARRANTY

The Cuisinart® Professional Porcorn Maker carries a Three (3) Year Limited Warranty.

This warranty is available to consumers only. You are a consumer if you own a Cuisinart® Professional Porcorn Maker which was purchased at retail for personal, family or household use. Except as otherwise required under applicable law, this warranty is not available to retailers or other commercial purchasers or owners.

We warrant that your Cuisinart® Professional Porcorn Maker will be free of defects in materials and workmanship under normal home use for 3 years from the date of original purchase.

If your Cuisinart® Professional Porcorn Maker should prove to be defective within the warranty period, we will repair it, without charge to you. To obtain warranty service, please register your warranty online at

**[www.cuisinart.com.au](http://www.cuisinart.com.au)**

or

Call toll-free  
1800 808 971 (AUST), 0800 435 000 (NZ),

or

Write to

Cuisinart Australia  
24 Salisbury Road  
Asquith NSW 2077

or

Cuisinart New Zealand  
44 Apollo Drive Mairangi Bay  
Auckland New Zealand

This warranty expressly excludes any defects or damages caused by accessories, replacement parts, or repair service other than those that have been authorised by Cuisinart. This warranty does not cover any damage caused by accident, misuse, shipment or other than ordinary household use.

This warranty excludes all incidental or consequential damages. Some states do not allow the exclusion or limitation of these damages, so they may not apply to you.

# Cuisinart®

SAVOR THE GOOD LIFE



Food Processors



Blenders



Toasters



Hand Blenders



Ice Cream Makers

Cuisinart offers an extensive assortment of top quality products to make life in the kitchen easier than ever. Try some of our other countertop appliances and cookware, and Savor the Good Life.

**[www.cuisinart.com.au](http://www.cuisinart.com.au)**

©2010 Cuisinart

Cuisinart® is a registered trademark of Cuisinart,  
East Windsor, NJ 08520  
1-800-726-0190

Cuisinart Australia  
24 Salisbury Road  
Asquith, NSW 2077

Cuisinart New Zealand  
44 Apollo Drive  
Mairangi Bay, Auckland, New Zealand

Printed in China

Any other trademarks or service marks referred to herein are the trademarks or service marks of their respective owners.

**IB-10/235**



## Free Manuals Download Website

<http://myh66.com>

<http://usermanuals.us>

<http://www.somanuals.com>

<http://www.4manuals.cc>

<http://www.manual-lib.com>

<http://www.404manual.com>

<http://www.luxmanual.com>

<http://aubethermostatmanual.com>

Golf course search by state

<http://golfingnear.com>

Email search by domain

<http://emailbydomain.com>

Auto manuals search

<http://auto.somanuals.com>

TV manuals search

<http://tv.somanuals.com>