

Cuisinart® GreenGourmet®

Eco-Friendly Nonstick Cookware

INSTRUCTION BOOKLET



Recipe
Booklet
Reverse Side

Cuisinart® GreenGourmet® Electric 14-inch Skillet **CSK-250**

For your safety and continued enjoyment of this product, always read the instruction book carefully before using.

IB-9354A

IMPORTANT SAFEGUARDS

When using an electrical appliance, basic safety precautions should always be followed, including the following:

1. **READ ALL INSTRUCTIONS.**
2. Do not touch hot surfaces; use handles or knobs.
3. To protect against risk of electrical shock, do not immerse cord, plugs, or temperature control in water or any other liquid.
4. To avoid possible accidental injury, close supervision is necessary when any appliance is used by or near children.
5. Unplug from outlet when not in use and before cleaning. Allow to cool before putting on or taking off parts.
6. **Do not operate any appliance with a damaged cord or plug or after the appliance has malfunctioned or has been dropped or damaged in any way or is not operating properly. Return the appliance to the nearest Cuisinart® Repair Center for examination, repair or mechanical or electrical adjustment.**
7. The use of attachments not recommended by Cuisinart may cause fire, electrical shock, or risk of injury.
8. Do not use outdoors.
9. Do not use the Skillet for anything other than its intended use.
10. To avoid the possibility of the Skillet being accidentally pulled off work area, which could result in damage to the Skillet or in personal injury, do not let cord hang over edge of table or counter.
11. Extreme caution must be used when moving an appliance containing hot oil or other hot liquids.
12. Always attach temperature probe to appliance first, then plug cord in the wall outlet. To disconnect, turn temperature control to OFF, then remove plug from wall outlet.
13. To avoid damage to cord and possible fire or electrocution hazard, do not let cord contact hot surfaces, including a stove.
14. When oil is heated to high temperature in any vessel, flammable gases are given off. Do not expose a flame to these gases as this could be dangerous. Never cover Skillet when heating oil.
15. Do not place on or near a hot gas or electric burner, or in a heated oven.

SAVE THESE INSTRUCTIONS FOR HOUSEHOLD USE ONLY

SPECIAL CORD SET INSTRUCTIONS

A short power-supply cord is provided to reduce the risks resulting from becoming entangled in or tripping over a longer cord.

Longer extension cords may be used if care is exercised.

If a long extension cord is used, the marked electrical rating of the extension cord should be at least as great as the electrical rating of the appliance, and the longer cord should be arranged so that it will not drape over the countertop or tabletop where it can be pulled on by children or animals, or tripped over.

NOTICE

This appliance has a polarized plug (one blade is wider than the other). To reduce the risk of electric shock, this plug will fit in a polarized outlet only one way. If the plug does not fit fully in the outlet, reverse the plug. If it still does not fit, contact a qualified electrician. Do not modify the plug in any way.

CONTENTS

Important Safeguards	2
Features and Benefits	3
Important Guidelines	3
Assembly Instructions	3
Operation	4
Cleaning and Maintenance	4
Warranty	4

FEATURES AND BENEFITS

1. Glass Cover w/ Stainless Steel Rim, Steam Vent and Handle:

See-through glass cover allows you to view your entrée while it's cooking, and the steam vent helps to prevent splattering.

2. Cuisinart Ceramica® Coating Cooking Surface

Eco-friendly interior is PTFE, PFOA and petroleum-free. Gives you the option of cooking without oil or butter, and makes cleanup easy.

3. Stainless Steel Handles

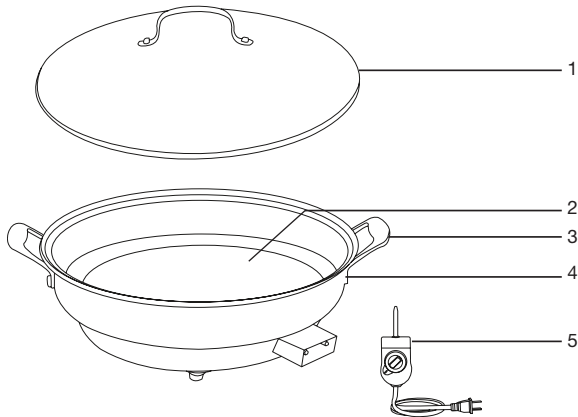
Heavy cast stainless steel side handles with embossed Cuisinart logo.

4. Polished Stainless Steel Housing

Durable stainless steel construction complements any décor.

5. Adjustable Temperature Control Probe

Removable temperature control probe with adjustable heat settings that range from WARM to 450°F. Indicator light turns off when Skillet has reached the desired temperature.



IMPORTANT GUIDELINES

- Do not use metal utensils. Metal utensils will damage the ceramica coating. Use wooden or heat-proof plastic utensils.
- Do not use a metal knife or utensil to cut on the surface.
- Add only enough oil to coat the bottom of the Skillet. Do not use larger amounts of oil.
- The steam vent in the cover should always be placed to the back of the Skillet. Lift the lid from the back to the front to prevent steam burns.
- Use pot holders to lift lid or move Skillet.
- Do not lift or move Skillet while cooking.
- Never immerse the temperature control probe in water or any other liquid.
- Temperature control dial must always be in the OFF position before the unit is unplugged.
- Do not knock or drop the temperature control probe, as this can damage the probe.

ASSEMBLY INSTRUCTIONS

To use your Cuisinart® GreenGourmet® Electric Skillet:

1. Carefully unpack the Skillet.
2. Rinse the Skillet base and glass cover in warm, soapy water. Rinse well and dry thoroughly. **Note:** The glass cover is immersible and top-shelf dishwasher safe. Make sure temperature control probe is removed before cleaning.
3. Place Skillet base on a clean, dry surface.
4. Place the cover on top of the base.
5. Make sure the temperature control dial is facing upward and in the OFF position. Insert temperature control probe into the receptacle located on the side of the unit.
6. Plug in unit.
7. Your Skillet is now ready for use.

OPERATION

1. Place your Cuisinart® GreenGourmet® Electric Skillet on a clean, dry surface.
2. Make sure the temperature control dial is facing upward and in the OFF position. Insert temperature control probe into the receptacle located on the side of the unit.
3. Plug cord into an electrical outlet.
4. Turn temperature control dial to desired setting – WARM to 450°F. The indicator light will go on.
5. Your Cuisinart® GreenGourmet® Electric Skillet will preheat for approximately 3 to 10 minutes, depending on the desired temperature setting. For faster heat-up, place glass cover on top of the base.
6. Once the indicator light goes off, you are ready to cook.
7. Place food in the Skillet. **Note:** After preheating, do not leave Skillet on without any food inside; over time, this can damage the pan.
8. Cook food as directed or until desired results are achieved.
9. After use, turn the temperature control dial to the OFF position and unplug your Skillet.

CLEANING AND MAINTENANCE

CAUTION: To prevent personal injury or electric shock, always remove the temperature control probe before immersing your Skillet in water. Do not immerse temperature control probe, cord or plug in water or other liquid.

1. Turn the temperature control dial to the OFF position and unplug unit from outlet.
2. Allow unit to cool before cleaning.
3. Once unit has cooled, remove the temperature control probe.
4. The temperature control probe is not immersible. Simply wipe it down with a damp cloth.
5. To clean the skillet, remove the probe and wipe off excess food and oil with a damp cloth. Wash skillet and glass cover with warm soapy water, using a non-abrasive cloth. We do not recommend that you clean the skillet in the dishwasher.
6. Dry thoroughly when clean.
7. If desired, recondition the ceramica coating with cooking oil to enhance the release property of the nonstick coating.

WARRANTY

Three-Year Limited Warranty

This warranty supersedes all previous warranties on the Cuisinart® GreenGourmet® Electric Skillet. This warranty is available to consumers only. You are a consumer if you own a Cuisinart® GreenGourmet® Electric Skillet that was purchased at retail for personal, family, or household use. Except as otherwise required under applicable state law, this warranty is not available to retailers or other commercial purchasers or owners. We warrant that your Cuisinart® GreenGourmet® Electric Skillet will be free of defects in material or workmanship under normal home use for three years from the date of original purchase. We recommend that you visit our website, www.cuisinart.com for a fast, efficient way to complete your product registration. However, product registration does not eliminate the need for the consumer to maintain the original proof of purchase in order to obtain the warranty benefits. In the event that you do not have proof of purchase date, the purchase date for purposes of this warranty will be the date of manufacture.

If your Skillet should prove to be defective within the warranty period, we will repair it or, if we think it necessary, replace it. To obtain warranty service, please call our Consumer Service Center toll-free at 1-800-726-0190, or write to:

Cuisinart
7811 North Glen Harbor Blvd.
Glendale, AZ 85307.

To facilitate the speed and accuracy of your return, please enclose \$10.00 for shipping and handling of the product. Please also be sure to include a return address, daytime phone number, description of the product defect, product serial number (stamped on bottom of product base), and any other information pertinent to the product's return.

Please pay by check or money order. (California residents need only supply proof of purchase and should call 1-800-720-0190 for shipping instructions).

NOTE: For added protection and secure handling of any Cuisinart® product that is being returned, we recommend you use a traceable, insured delivery service. Cuisinart cannot be held responsible for in-transit damage or for packages that are not delivered to us. Lost and/or damaged products are not covered under warranty.

Your Cuisinart® GreenGourmet® Electric Skillet has been manufactured to strict specifications and has been designed for use with the Cuisinart® Electric Skillet accessories and replacement parts. These warranties expressly exclude any defects

or damages caused by accessories, replacement parts, or repair service other than those that have been authorized by Cuisinart.

These warranties do not cover any damage caused by accident, misuse, shipment, or other than ordinary household use. These warranties exclude all incidental or consequential damages. Some states do not allow the exclusion or limitation of incidental or consequential damages, so the foregoing limitation may not apply to you.

California Residents Only

California law provides that for In-Warranty Service, California residents have the option of returning a nonconforming product (A) to the store where it was purchased or (B) to another retail store that sells Cuisinart® products of the same type. The retail store shall then, according to its preference, either repair the product, refer the consumer to an independent repair facility, replace the product, or refund the purchase price less the amount directly attributable to the consumer's prior usage of the product. If either of the above two options does not result in appropriate relief to the consumer, consumer may then take the product to an independent repair facility if service or repair can be economically accomplished. Cuisinart and not the consumer will be responsible for the reasonable cost of such service, repair, replacement, or refund for nonconforming products under warranty.

California residents may also, according to their preference, return nonconforming products directly to Cuisinart for repair or, if necessary, replacement by calling our Consumer Service Center toll-free at 1-800-726-0190. Cuisinart will be responsible for the cost of the repair, replacement, and shipping and handling for such nonconforming products under warranty.

Before Returning Your Cuisinart Product

If you are experiencing problems with your Cuisinart® product, we suggest that you call our Consumer Service Center at 1-800-726-0190 before returning the product for servicing. Often, our Consumer Service Representatives can help solve the problem without having the product serviced. If servicing is needed, a representative can confirm whether the product is under warranty and direct you to the nearest service location.

Important: If the nonconforming product is to be serviced by someone other than Cuisinart's Authorized Service Center, please remind the servicer to call our Consumer Service Center at 1-800-726-0190 to ensure that the problem is properly diagnosed, the product is serviced with the correct parts, and to ensure that the product is still under warranty.

©2010 Cuisinart
150 Milford Road
East Windsor, NJ 08520
Printed in China
10CE114829

Free Manuals Download Website

<http://myh66.com>

<http://usermanuals.us>

<http://www.somanuals.com>

<http://www.4manuals.cc>

<http://www.manual-lib.com>

<http://www.404manual.com>

<http://www.luxmanual.com>

<http://aubethermostatmanual.com>

Golf course search by state

<http://golfingnear.com>

Email search by domain

<http://emailbydomain.com>

Auto manuals search

<http://auto.somanuals.com>

TV manuals search

<http://tv.somanuals.com>