

# Cuisinart® Instruction Booklet



**2-Cup Coffeemaker**

**WCM-11SA**

For your safety and continued enjoyment of this product, always read the instruction book carefully before using.  
Download from [Www.Somanuals.com](http://www.Somanuals.com). All Manuals Search And Download.

# IMPORTANT SAFEGUARDS

When using electrical appliances, basic safety precautions should always be followed to reduce the risk of fire, electric shock and/or injury to persons, including the following:

1. READ ALL INSTRUCTIONS
2. Do not touch hot surfaces. Use handles and knobs.
3. To protect against electric shock, do not place cord, plug, or base unit in water or other liquids.
4. Close supervision is necessary when any appliance is used by or near children.
5. Always unplug appliance from outlet when not in use and before cleaning. Allow to cool before putting on or taking off parts and before cleaning the appliance.
6. Do not operate any appliance with a damaged cord or plug or after the appliance malfunctions or has been dropped or damaged in any manner. Return appliance to the nearest Cuisinart Repair Center for examination, repair, and electrical or mechanical adjustment.
7. The use of accessory attachments not recommended by Cuisinart may cause injuries.
8. Do not use outdoors.
9. Do not let cord hang over edge of table or counter, or touch hot surface.
10. Do not place on or near a hot gas or electric burner, or in a heated oven.
11. Always fill water reservoir first, then plug cord into the wall outlet. To disconnect, remove plug from wall outlet.
12. Do not use appliance for other than intended use.
13. **WARNING: TO REDUCE THE RISK OF FIRE OR ELECTRIC SHOCK, DO NOT REMOVE THE BASE PANEL. NO USER SERVICEABLE PARTS ARE INSIDE. REPAIR SHOULD BE DONE ONLY BY AUTHORIZED PERSONNEL.**
14. Avoid contact with moving parts.

15. This appliance is not intended for use by persons (including children) with reduced physical, sensory or mental capabilities, or lack of experience and knowledge, unless they have been given supervision or instruction concerning use of the appliance by a person responsible for their safety.
16. Children should be supervised to ensure that they do not play with the appliance.

## SAVE THESE INSTRUCTIONS

## FOR HOUSEHOLD USE ONLY

### WARNING: RISK OF FIRE OR ELECTRIC SHOCK



The lightning flash with arrowhead symbol, within an equilateral triangle, is intended to alert the user to the presence of uninsulated dangerous voltage within the product's

enclosure that may be of sufficient magnitude to constitute a risk of fire or electric shock to persons.



The exclamation point within an equilateral triangle is intended to alert the user to the presence of important operating and maintenance (servicing) instructions in the literature accompanying the appliance.

---

# SPECIAL CORD SET INSTRUCTIONS

A short power-supply cord is provided to reduce the risks resulting from becoming entangled in or tripping over a longer cord.

Longer extension cords are available and may be used if care is exercised in their use.

If a long extension cord is used, the marked electrical rating of the extension cord must be at least as great as the electrical rating of the appliance, and the longer cord should be arranged so that it will not drape over the countertop or tabletop where it can be pulled on by children or tripped over.

## OPERATING NOTICE

Clogging and backing up of water and/or coffee in the filter basket can occur under any or a combination of any of the following conditions: The use of too finely ground coffee, using two or more paper filters, using the gold tone filter in conjunction with a paper filter or not properly cleaning coffee grounds from the gold tone filter, or allowing coffee grounds to spill over the filter.

**Caution:** Never open the filter basket during the brewing cycle, even if no water is draining from the filter basket, since extremely hot water/coffee can spill out from the filter basket and cause injury. If water/coffee is not draining from the filter basket during the brewing cycle, unplug the unit and wait 10 minutes before opening and checking the filter basket.

# CONTENTS

Important Safeguards . . . . .	Page 1
Unpacking Instructions. . . . .	Page 2
Features and Benefits. . . . .	Page 3
Making Coffee. . . . .	Pages 3 & 4
Cleaning and Maintenance . . . . .	Page 4
Decalcification of Metal Parts. . . . .	Page 4
Warranty. . . . .	Page 5

## IMPORTANT UNPACKING INSTRUCTIONS

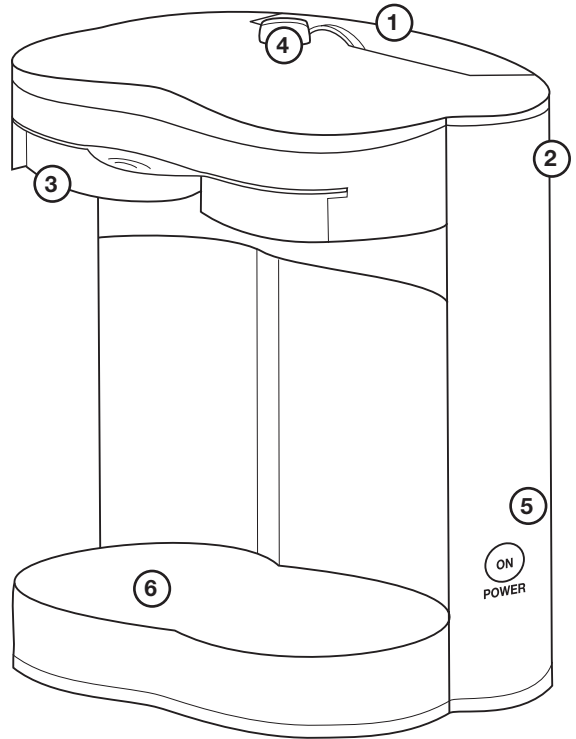
1. Lay the box on its side on a large, sturdy, flat surface.
2. Remove the instruction book and any other literature.
3. Slide the packaged unit out of the box.
4. Remove the cardboard insert.
5. Carefully lift the coffeemaker from the remaining inserts.

We suggest you save all the packing materials in the event that future shipping of the machine is needed.

Keep all plastic bags away from children.

# FEATURES AND BENEFITS

- 1. Reservoir Cover**  
Flips back for easy filling.
- 2. Water Reservoir**
- 3. Double Brew Basket:**  
For 1 or 2 cup brewing
- 4. Brew Selector:**  
Choose either 1-Cup or 2-Cup Cycle
- 5. Power Button with On Indicator Light**
- 6. Unit Base**
- 7. Auto Shutoff**  
An automatic safety shutoff feature turns the coffeemaker off after brewing cycle is complete. (not shown)



## MAKING COFFEE

Before making the first cups of coffee in your new Cuisinart® 2-Cup Coffeemaker, we recommend operating the coffeemaker once using only water. This will remove any dust or residues in the system which may remain from the manufacturing process.

### To make 1 cup

- 1. Fill the water reservoir**  
Lift the reservoir cover. Using a mug or cup (not included) fill the reservoir with cold water to 1-cup marking on the reservoir wall. Close reservoir cover. **WARNING – DO NOT OVERFILL. FILLING WATER TANK TO “2-CUP” MARKING WILL CAUSE AN OVERFLOW.**
- 2. Insert coffee pod**  
Slide out the brew basket. Remove a coffee pod from its wrapper. Place the pod into left side of brew basket. Be sure that the pod is sitting flat. Gently push down around the outer edge of the pod. Slide brew basket back into the unit completely. (Do not use more than one pod at a time.)
- 3. Set Brew Selector**  
On the top of unit, move the brew selector dial to the 1-cup setting (far left). Be sure that the dial clicks into place.

#### **IMPORTANT: Before brewing coffee**

Make sure you have placed an empty mug or cup on the left side of the unit base. Mug or cup should be centered under left side of brew basket on the unit base. Plug the cord into an electrical outlet.

- 4. Power unit**  
Press the “On” button on the right side of the unit. The button will light indicating that the unit is on.
- 5. During and after brewing**  
Do not remove the cup or mug during the brewing process. When brewing is complete, unit will automatically shut off and the On indicator light will turn off. Once the light turns off, the cup or mug may be removed. Stir coffee before drinking to blend the flavors.

---

## To make 2 cups

### 1. Fill the water reservoir

Lift the reservoir cover. Using a mug or cup (not included) fill the reservoir with cold water to 2-cup marking on the reservoir wall. Do not overfill. Close reservoir cover.

### 2. Insert coffee pods

Slide out the brew basket. Remove 2 coffee pods from their wrappers. Place one pod into each side of brew basket. Be sure that the pods are sitting flat. Gently push down around the outer edge of the pods. Slide brew basket back into the unit completely. (Do not use more than one pod on the same side at a time.)

### 3. Set Brew Selector

On the top of unit, move the brew selector dial to the 2-cup setting (far right). Be sure that the dial clicks into place.

### IMPORTANT: Before brewing coffee:

Make sure you have placed 2 empty mugs or cups on the unit base. Plug the cord into an electrical outlet.

### 4. Power unit

Press the "On" button on the right side of the unit. The button will light, indicating that the unit is on.

### 5. During and after brewing

Do not remove the cups or mugs during the brewing process. When brewing is complete, unit will automatically shut off and the On indicator light will turn off. Once the light turns off, the cups or mugs may be removed. Stir coffee before drinking to blend the flavors.

**Never immerse base unit in water or other liquid.** To clean base, simply wipe with a clean, damp cloth and dry before storing. Do not dry the inside of the water reservoir with a cloth, as lint may remain.

## DECALCIFICATION

Decalcification refers to removing the calcium deposits that form over time on the metal parts of the coffeemaker.

For best performance from your Cuisinart® 2-Cup Coffeemaker, decalcify the base unit from time to time. The frequency depends upon the hardness of your tap water and how often you use the coffeemaker.

To decalcify, fill the water reservoir to the 2-cup level with a mixture of  $\frac{1}{3}$  white vinegar and  $\frac{2}{3}$  water. Follow steps 3-5 under the "To make 2 cups" section. One cycle should be sufficient to adequately clean the coffeemaker. Run one 2-cup cycle of fresh cold water through the unit before using the unit again to brew coffee.

## CLEANING AND MAINTENANCE

### COMPLETELY CLEAN AND DRY ALL PARTS AFTER EVERY USE.

Always make sure the coffeemaker is not "On" and remove the plug from the electrical outlet before cleaning.

Slide out the brew basket and discard the used pod(s). The brew basket can be washed in warm soapy water and rinsed thoroughly, or cleaned in the upper rack of the dishwasher. Dry all parts after use.

Do not use any scouring agents or harsh cleansers on any part of the coffeemaker.

---

# WARRANTY

## LIMITED THREE-YEAR WARRANTY

This warranty is available to consumers only. You are a consumer if you own a Cuisinart® Grind & Brew Thermal Coffeemaker that was purchased at retail for personal, family or household use. Except as

otherwise required under applicable law, this warranty is not available to retailers or other commercial purchasers or owners.

We warrant that your Cuisinart® Grind & Brew Thermal Coffeemaker will be free of defects in materials and workmanship under normal home use for 3 years from the date of original purchase.

We suggest you complete and return the enclosed product registration card promptly to facilitate verification of the date of original purchase. However, return of the product registration card does not eliminate the need for the consumer to maintain the original proof of purchase in order to obtain the warranty benefits. In the event that you do not have proof of purchase date, the purchase date for purposes of this warranty will be the date of manufacture.

If your Cuisinart® Grind & Brew Thermal Coffeemaker should prove to be defective within the warranty period, we will repair it, or if we think necessary, replace it. To obtain warranty service, please register your warranty online at [www.cuisinart.com.au](http://www.cuisinart.com.au)

or

Call toll-free  
1800 808 971 (AUST), 0800 435 000 (NZ),

or

Write to  
Cuisinart Australia  
24 Salisbury Road  
Asquith NSW 2077

or

Cuisinart New Zealand  
44 Apollo Drive Mairangi Bay  
Auckland New Zealand

This warranty expressly excludes any defects or damages caused by accessories, replacement parts, or repair service other than those that have been authorized by Cuisinart.

This warranty does not cover any damage

caused by accident, misuse, shipment or other than ordinary household use.

**NOTE:** For added protection and secure handling of any Cuisinart® product that is being returned, we recommend you use a traceable, insured delivery service. Cuisinart cannot be held responsible for in-transit damage or for packages that are not delivered to us. Lost and/or damaged products are not covered under warranty. Please be sure to include your return address, daytime phone number, description of the product defect, product model number (located on bottom of product), original date of purchase, and any other information pertinent to the product's return.

Your Cuisinart® Grind & Brew Thermal Coffeemaker has been manufactured to the strictest specifications and has been designed for use with the authorized accessories and replacement parts.

## BEFORE RETURNING YOUR CUISINART® PRODUCT

If you are experiencing problems with your Cuisinart® product, we suggest that you call our Cuisinart® Service Centre at 1800 808 971 (AUS) or 0800 435 000 (NZ) before returning the product serviced. If servicing is needed, a Representative can confirm whether the product is under warranty and direct you to the nearest service location.

**Important:** If the nonconforming product is to be serviced by someone other than Cuisinart's Authorized Service Centre, please remind the servicer to call our Consumer Service Centre at 1800 808 971 (AUS) or 0800 435 000 (NZ) to ensure that the problem is properly diagnosed, the product is serviced with the correct parts, and the product is still under warranty.



# Cuisinart®

SAVOR THE GOOD LIFE



Coffeemakers



Food Processors



Toaster Ovens



Blenders



Cookware



Ice Cream Makers

Cuisinart offers an extensive assortment of top quality products to make life in the kitchen easier than ever. Try some of our other countertop appliances and cookware, and Savor the Good Life™.

**[www.cuisinart.com.au](http://www.cuisinart.com.au)**

©2009 Cuisinart  
Cuisinart® is a registered trademark of Cuisinart  
150 Milford Road  
East Windsor, NJ 0850  
1-800-726-0190

Cuisinart Australia  
24 Salisbury Road  
Asquith NSW 2077

Cuisinart New Zealand  
44 Apollo Drive  
Mairangi Bay  
Auckland, New Zealand

Printed in China

IB-9/080



## Free Manuals Download Website

<http://myh66.com>

<http://usermanuals.us>

<http://www.somanuals.com>

<http://www.4manuals.cc>

<http://www.manual-lib.com>

<http://www.404manual.com>

<http://www.luxmanual.com>

<http://aubethermostatmanual.com>

Golf course search by state

<http://golfingnear.com>

Email search by domain

<http://emailbydomain.com>

Auto manuals search

<http://auto.somanuals.com>

TV manuals search

<http://tv.somanuals.com>