

# Cuisinart®

## INSTRUCTION BOOKLET



**12-Cup Programmable Thermal Coffeemaker**

**DTC-975BKN**

For your safety and continued enjoyment of this product, always read the instruction book carefully before using.

Download from [www.Somanuals.com](http://www.Somanuals.com). All Manuals Search And Download.

---

# IMPORTANT SAFEGUARDS

When using electrical appliances, basic safety precautions should always be followed to reduce the risk of fire, electric shock and/or injury to persons, including the following:

1. **READ ALL INSTRUCTIONS.**
2. Do not touch hot surfaces. Use handles and knobs.
3. To protect against electric shock, do not place cord, plug, or base in water or other liquids.
4. Close supervision is necessary when any appliance is used by or near children.
5. **Always unplug from outlet when not in use and before cleaning.** Allow to cool before putting on or taking off parts and before cleaning the appliance.
6. Do not operate any appliance with a damaged cord or plug or after the appliance malfunctions or has been dropped or damaged in any manner. Return appliance to the nearest Cuisinart Repair Center for examination, repair, or electrical or mechanical adjustment.
7. The use of accessory attachments not recommended by Cuisinart may cause injuries.
8. Do not use outdoors.
9. Do not let cord hang over edge of table or counter, or touch any hot surface.
10. Do not place on or near a hot gas or electric burner, or in a heated oven.
11. Always fill water reservoir first, then plug cord into the wall outlet. To disconnect, turn controls to OFF, then remove plug from wall outlet.
12. Do not use appliance for other than intended use.
13. Snap lid securely onto carafe before serving any beverages.
14. Scalding may occur if the lid is removed during the brewing cycle.
15. The thermal carafe is designed for use with appliance base only. It must never be used on the range top.
16. Do not set a hot carafe on a wet or cold surface.
17. Do not use a cracked carafe or a carafe having a loose or weakened handle.
18. Do not clean carafe or warming plate with cleansers, steel wool pads, or other abrasive materials.
19. **WARNING: TO REDUCE THE RISK OF FIRE OR ELECTRIC SHOCK, DO NOT REMOVE THE BASE PANEL. NO USER-SERVICEABLE PARTS ARE INSIDE. REPAIR SHOULD BE DONE ONLY BY AUTHORIZED PERSONNEL.**
20. Avoid contact with moving parts.

## SAVE THESE INSTRUCTIONS FOR HOUSEHOLD USE ONLY

### WARNING: RISK OF FIRE OR ELECTRIC SHOCK



The lightning flash with arrowhead symbol within an equilateral triangle is intended to alert the user to the presence of uninsulated dangerous voltage within the product's enclosure that may be of sufficient magnitude to constitute a risk of fire or electric shock to persons.



The exclamation point within an equilateral triangle is intended to alert the user to the presence of important operating and maintenance (servicing) instructions in the literature accompanying the appliance.

---

## SPECIAL CORD SET INSTRUCTIONS

A short power-supply cord is provided to reduce the risks resulting from becoming entangled in or tripping over a longer cord.

Extension cords may be used if care is exercised in their use.

If an extension cord is used, the marked electrical rating of the extension cord must be at least as great as the electrical rating of the appliance, and the longer cord should be arranged so that it will not drape over the countertop or tabletop where it can be pulled on by children or tripped over.

## NOTICE

This appliance has a polarized plug (one blade is wider than the other). To reduce the risk of electric shock, this plug will fit in a polarized outlet only one way. If the plug does not fit fully in the outlet, reverse the plug. If it still does not fit, contact a qualified electrician. Do not modify the plug in any way.

## OPERATING NOTICE

Clogging and backing up of water and/or coffee in the filter basket can occur under any or a combination of any of the following conditions: The use of too finely ground coffee, using two or more paper filters, using the gold-tone filter in conjunction with a paper filter or not properly cleaning coffee grounds from the gold-tone filter, or allowing coffee grounds to spill over the filter.

**Caution:** Never open the reservoir cover during the brewing cycle, even if no water is draining from the filter basket, since extremely hot water/coffee can spill out from the basket and cause injury. If water/coffee is not draining from the filter basket during the brewing cycle, unplug the unit and wait 10 minutes before opening the reservoir cover and checking the basket.



# CONTENTS

Important Safeguards . . . . .	2
Important Unpacking Instructions . . . . .	4
The Quest for the Perfect Cup of Coffee . . . . .	4
Features and Benefits . . . . .	5
Programming Your Coffeemaker . . . . .	6
Brewing Coffee . . . . .	6
Cleaning and Maintenance . . . . .	7
Warranty . . . . .	8

## IMPORTANT UNPACKING INSTRUCTIONS

1. Place the box on a large, sturdy, flat surface.
2. Remove the instruction book and any other literature.
3. Turn the box so that the back side of the coffeemaker is down and slide the coffeemaker from the box.
4. After the coffeemaker has been removed, place the box out of the way and remove the pulp molded inserts.
5. Grasp the carafe by its handle, remove it from the heater plate and **remove the packing material**.
6. **Remove the packing material** from the coffeemaker and lift the coffeemaker off the remaining two inserts.

We suggest you save all packing materials in the event that future shipping of the machine is needed. Keep all plastic bags away from children.

## THE QUEST FOR THE PERFECT CUP OF COFFEE

### ELEMENT 1: WATER

Coffee is 98% water. The quality of that water is as important as the quality of your coffee. If water doesn't taste good from the tap, it won't taste good in your coffee.

### ELEMENT 2: COFFEE

While coffee is 98% water, all of the flavor comes from the beans. To achieve the same great taste you enjoy at a coffee bar, you need to use the same quality of coffee. If you choose to grind your own beans, buy them fresh and whole. Buy only about a two-week supply at a time, because once the bean is broken, its flavor degrades quickly.

### ELEMENT 3: GRIND

The grind is critical for proper flavor extraction. If the grind is too fine, over-extraction and bitterness will result. Too fine a grind may also clog the filter. If grind is too coarse, the water will pass through too quickly and the maximum flavor will not be extracted. When grinding your own beans, we recommend a medium-fine grind.

### ELEMENT 4: PROPORTION

Coffee that is too strong or too weak is always a disappointment. Follow the recommended portions of ground coffee in the instructions under Brewing Coffee, and later adjust the amount to suit your taste.

NOTE: The maximum capacity for ground coffee is 15 scoops (15 tablespoons) for this 60-oz. (twelve 5-oz. cups) coffeemaker. Exceeding this amount may cause overflow.

# FEATURES AND BENEFITS

## 1. Brew-Through/Pour-Through Lid

Allows coffee to brew in and pour out of carafe without opening or adjusting. Keeps coffee hot and flavorful for hours.

## 2. Reservoir Cover

Simply lift to fill with water. Close cover once water has been added.

## 3. Filter Basket

Swings open for easy insertion of coffee filter.

## 4. Water Window

Magnified markings indicate water needed to make corresponding cups of coffee.

## 5. Stainless Double-Wall Thermal Insulated Carafe

## 6. Brew Pause™

Stops flow of water from basket when carafe is removed from heater plate, so a cup can be poured during brewing cycle.

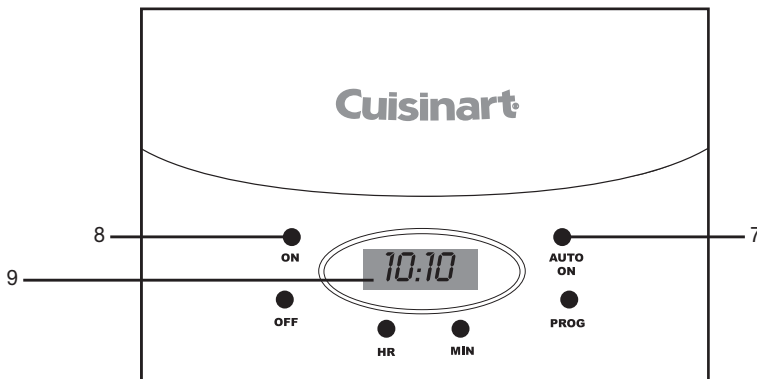
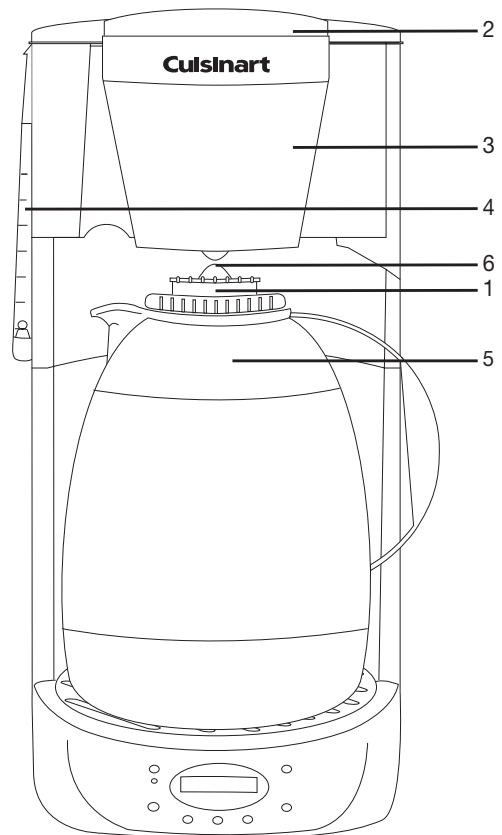
## 7. Auto-Brew Cycle

Program time to brew.

## 8. ON Indicator Light

Illuminates when power is on.

## 9. LCD Readout



## BEFORE FIRST USE

We recommend flushing out your coffeemaker before first use.

Fill the reservoir with cold water and follow the directions for Brewing Coffee. **DO NOT ADD COFFEE!**

Once the system flush is complete, your coffeemaker is ready to brew so you can enjoy Cuisinart at its best!

## PROGRAMMING YOUR COFFEEMAKER

### To Set The Clock

1. To set the time, press and hold the hour or minute button for two seconds. "Time set" starts flashing in the upper left corner of the LCD screen.
2. Press the HOUR button to advance the clock to the desired time. The hour numeral moves in one-hour increments. When numeral passes 12 am, the PM indicator will illuminate in the lower left corner of the LCD screen.
3. Press the MINUTE button to advance the minutes to the desired time. Minutes move in one-second increments.
4. When complete, press the HOUR button again, or wait for 15 seconds and your time change will be accepted.

### To Program the Brew Time

1. To program the brew time, press and hold the PROG button for two seconds. The "prog" symbol starts flashing in the lower right corner of the LCD screen.
2. Press the HOUR button to advance the clock to the desired time. The hour numeral moves in one-hour increments. When numeral passes 12 am, the PM indicator will illuminate in the lower left corner of the LCD screen.
3. Press the MINUTE button to advance the minutes to the desired time. Minutes move in one-second increments.
4. When complete, press the PROG button, or wait for 15 seconds and your set time will be accepted.

### To Activate the Auto Brew Cycle

1. To activate the auto brew mode, depress the AUTO ON button. The auto symbol will illuminate in the upper right corner of the LCD screen.
2. The unit will now begin the brewing cycle at the programmed time. When the programmed time initiates the cycle, the red ON indicator light will show that the brewing cycle has started.

NOTE: The unit will continue to attempt to brew at the programmed time, each day, until the OFF button is pressed. The red ON indicator light will illuminate each time the attempt to brew is made. If there is no water in the reservoir, the unit will automatically shut off one minute later.

## BREWING COFFEE

Follow instructions in "Before First Use" on this page.

1. Open thermal carafe lid in direction of arrow. Fill thermal carafe with cold, fresh water. Open hinged water reservoir cover; pour water into reservoir opening. Markings on water level indicator show amount of water needed to make desired number of cups of coffee. **TO AVOID OVERFLOW, DO NOT FILL ABOVE 12-CUP MARK.** Close reservoir cover.
2. Before thermal carafe is returned to platform, prewarm carafe by running warm water through it. Prewarming carafe will help keep coffee warmer.
3. Return carafe lid to thermal carafe. To close lid, turn it in direction of Close arrow until it fits tightly on carafe, and Pour arrow is aligned with spout. Return empty thermal carafe to platform. Be certain thermal carafe lid is in closed position and is securely in place during brew cycle.
4. Open filter basket by grasping basket handle and swinging outward. Insert a paper filter **OR** gold-tone filter (not included) into filter basket; make sure filter fits snugly in basket.
5. After placing 2 level tablespoons per cup of ground coffee into cone filter, return basket to closed position. To ensure safe operation,

make sure basket is closed securely.

6. With thermal carafe and basket securely in place, press ON button; LED will light. CAUTION: Coffeemaker becomes very hot during brew cycle; handle with extreme care, as hot parts and escaping steam may cause burns.
7. The Brew-Through lid allows coffee to drip from coffeemaker through closed lid. When coffee has completely stopped dripping into thermal carafe and water level indicator is empty, brew cycle is complete. When dripping stops, Brew-Through lid will seal so coffee freshness and temperature are preserved.
8. An audible “beep” tone will signal when brew cycle is complete. The coffeemaker will switch off automatically. Bottom of Thermal Carafe is hot to touch for several minutes after brewing. Use caution.
9. After coffee grounds have cooled, carefully open filter basket and discard used coffee filter and grounds. To remove filter basket from coffeemaker (A) grasp basket handle and swing basket outward, and (B) with basket in far right position, lift up and pull basket hinge.
10. Brew-Through lid allows coffee to be poured with lid in closed position, so coffee freshness and temperature can be preserved.

**NOTE: Reservoir cover may be hot during and directly after brewing. Wait at least 10 minutes before opening.**

### BREW PAUSE™ FEATURE

This feature interrupts the flow of coffee from the basket to let you pour that first cup mid-brew. Because the flavor profile of coffee brewed at the start of a cycle differs from that brewed toward the end, be aware that using this feature will weaken the flavor strength of the finished pot.

NOTE: Removing carafe for more than 20 seconds may cause filter basket to overflow.

## TIPS & HINTS

1. Do not place a cloth or otherwise restrict airflow beneath coffeemaker.
2. To avoid accidents, make sure thermal carafe lid is in closed position during brewing and while pouring; do not pour in the direction of people.
3. When pouring, use thermal carafe handle only bottom of thermal carafe is hot to touch for several minutes after brewing.
4. CAUTION: Burns may result from spilled hot liquid and/or contact with hot parts.

## CLEANING AND MAINTENANCE

Always turn coffeemaker off and remove the plug from the electrical outlet before cleaning. Lift up the reservoir cover. Remove and discard the paper filter and ground coffee. The filter basket can be washed in warm, soapy water and rinsed thoroughly or cleaned in the upper rack of the dishwasher. Dry all parts after use.

**Do not put any water in the unit once the filter basket has been removed. Wipe the area under the filter basket with a damp cloth.**

Remove the carafe from the resting plate. Discard any remaining coffee. The carafe and lid can be washed in warm, soapy water and rinsed thoroughly or placed in a dishwasher. The carafe and carafe lid should be placed on the upper rack only.

**Helpful Hint:** Coffee contains oils that can build up on your carafe. For best performance, wash carafe and wipe pour spout clean after each use.

Do not use any scouring agents or harsh cleansers on any part of the coffeemaker. Never immerse base unit in water or other liquids. To clean base, simply wipe with a clean, damp cloth and dry before storing. Fingerprints and other blemishes on the stainless steel housing can be washed off with soap and water or a nonabrasive cleaning solution. Wipe resting plate with a clean, damp cloth. Never use rough, abrasive materials or cleansers to clean the resting plate. Do not dry the inside of the water reservoir with a cloth, as lint may remain.

---

## DECALCIFICATION

Decalcification refers to the removal of calcium deposits that form over time on the metal parts of the coffeemaker.

For best performance from your Cuisinart® coffeemaker, decalcify the base unit from time to time. The frequency depends upon the hardness of your tap water and how often you use the coffeemaker.

To decalcify, fill the water reservoir to capacity with a mixture of  $\frac{1}{3}$  white vinegar and  $\frac{2}{3}$  water. Turn the coffeemaker on by pressing the Power button. One cycle should be sufficient to adequately clean the coffeemaker. Turn the coffeemaker off by pressing the Power button and then run one cycle of fresh cold water through the unit before using the unit again to brew coffee.

Any other servicing should be performed by an authorized service representative.

## WARRANTY

### LIMITED THREE-YEAR WARRANTY

We warrant that your Cuisinart® 12-Cup Programmable Thermal Coffeemaker will be free of defects in materials and workmanship under normal home use for 3 years from the date of original purchase.

We recommend that you visit our website, **www.cuisinart.com** for the fastest, most efficient way to complete your product registration. However, product registration online does not eliminate the need for the consumer to maintain the original proof of purchase in order to obtain the warranty benefits. In the event that you do not have proof of purchase date, the purchase date for purposes of this warranty will be the date of manufacture.

If your Cuisinart® 12-Cup Programmable Thermal Coffeemaker unit should prove to be defective within the warranty period, we will repair it, or if we think necessary, replace it. To obtain warranty service, simply call our toll-free number, 1-800-726-0190, for additional information from our Customer Service Representatives, or send the defective product to Customer Service at Cuisinart, 7811 North Glen Harbor Blvd., Glendale, AZ 85307.

To facilitate the speed and accuracy of your return, please enclose \$10.00 for shipping and handling of the product.

Please pay by check or money order (California residents need only supply proof of purchase and should call 1-800-726-0190 for shipping instructions).

**NOTE:** For added protection and secure handling of any Cuisinart product that is being returned, we recommend you use a traceable, insured delivery service. Cuisinart cannot be held responsible for in-transit damage or for packages that are not delivered to us. Lost and/or damaged products are not covered under warranty. Please be sure to include your return address, daytime phone number, description of the product defect, product model number



---

(located on bottom of product), original date of purchase, and any other information pertinent to the product's return.

This Cuisinart® 12-Cup Programmable Thermal Coffeemaker unit has been manufactured to the strictest specifications and has been designed for use with the authorized accessories and replacement parts.

This warranty expressly excludes any defects or damages caused by accessories, replacement parts, or repair service other than those that have been authorized by Cuisinart.

This warranty does not cover any damage caused by accident, misuse, shipment or other than ordinary household use.

This warranty excludes all incidental or consequential damages. Some states do not allow the exclusion or limitation of these damages, so these exclusions may not apply to you.

#### **CALIFORNIA RESIDENTS ONLY:**

California law provides that for In-Warranty Service, California residents have the option of returning a nonconforming product (A) to the store where it was purchased or (B) to another retail store that sells Cuisinart products of the same type.

The retail store shall then, at its discretion, either repair the product, refer the consumer to an independent repair facility, replace the product, or refund the purchase price less the amount directly attributable to the consumer's prior usage of the product. If the above options do not result in the appropriate relief to the consumer, the consumer may then take the product to an independent repair facility, if service or repair can be economically accomplished. Cuisinart and not the consumer will be responsible for the reasonable cost of such service, repair, replacement, or refund for nonconforming products under warranty.

California residents may also, according to their preference, return nonconforming products directly to Cuisinart for repair, or if necessary,

replacement, by calling our Consumer Service Center toll-free at 1-800-726-0190.

Cuisinart will be responsible for the cost of the repair, replacement, and shipping and handling for such nonconforming products under warranty.

#### **BEFORE RETURNING YOUR CUISINART PRODUCT**

If you are experiencing problems with your Cuisinart product, we suggest that you call our Cuisinart Consumer Service Center at 1-800-726-0190 before returning the product to be serviced. If servicing is needed, a representative can confirm whether the product is under warranty and direct you to the nearest service location.

Important: If the nonconforming product is to be serviced by someone other than Cuisinart's Authorized Service Center, please remind the servicer to call our Consumer Service Center at 1-800-726-0190 to ensure that the problem is properly diagnosed, the product is serviced with the correct parts, and the product is still under warranty.





# Cuisinart®

SAVOR THE GOOD LIFE®



Grills



Food Processors



Toaster Ovens



Blenders



Cookware



Ice Cream Makers

Cuisinart offers an extensive assortment of top quality products to make life in the kitchen easier than ever. Try some of our other countertop appliances and cookware, and Savor the Good Life®.

**[www.cuisinart.com](http://www.cuisinart.com)**

©2011 Cuisinart  
150 Milford Road  
East Windsor, NJ 08520  
Printed in China

10CE113907

U IB-4830A

Version no:DTC975BKN IB-4830A
Size: 152 mm (W) X203 mm (H) Total Pages: 12
Material: Cover: 157gsm matt artpaper Inside: 120gsm gloss artpaper
Coating: varnishing
Color: Cover: 4C+1C(K) Inside: 1C+1C(K)
Die cut:
Bar Code:
Date: 01/07/10 (02)
Coordinator: Astor You / Jason Wang

 CHUNG TAI PRINTING HOLDINGS LTD.  
中大印刷集團有限公司

Tel: 2669 6173 Fax: 2677 6556



## Free Manuals Download Website

<http://myh66.com>

<http://usermanuals.us>

<http://www.somanuals.com>

<http://www.4manuals.cc>

<http://www.manual-lib.com>

<http://www.404manual.com>

<http://www.luxmanual.com>

<http://aubethermostatmanual.com>

Golf course search by state

<http://golfingnear.com>

Email search by domain

<http://emailbydomain.com>

Auto manuals search

<http://auto.somanuals.com>

TV manuals search

<http://tv.somanuals.com>