

Cuisinart®



Grind & Brew Thermal™ 10-Cup Automatic Coffeemaker

DGB-600BCC

For your safety and continued enjoyment of this product, always read the instruction book carefully before using.
Download from www.Somanuals.com. All Manuals Search And Download.

IMPORTANT SAFEGUARDS

When using electrical appliances, basic safety precautions should always be followed to reduce the risk of fire, electric shock and/or injury to persons, including the following:

1. READ ALL INSTRUCTIONS
2. Do not touch hot surfaces. Use handles and knobs.
3. To protect against electric shock, do not place cord, plug, or base unit in water or other liquids.
4. Close supervision is necessary when any appliance is used by or near children.
5. Always unplug from outlet when not in use and before cleaning. Allow to cool before putting on or taking off parts and before cleaning the appliance.
6. Do not operate any appliance with a damaged cord or plug or after the appliance malfunctions or has been dropped or damaged in any manner. Return appliance to the nearest Cuisinart Repair Centre for examination, repair, and electrical or mechanical adjustment.
7. The use of accessory attachments not recommended by Cuisinart may cause injuries.
8. Do not use outdoors.
9. Do not let cord hang over edge of table or counter, or touch hot surface.
10. Do not place on or near a hot gas or electric burner, or in a heated oven.
11. Always fill water reservoir first, then plug cord into the wall outlet. To disconnect, push the Off button, then remove plug from wall outlet.
12. Do not use appliance for other than intended use.
13. Make sure lid is on carafe securely before serving any beverages.
14. Scalding may occur if the lid is removed during the brewing cycle.
15. The thermal carafe is designed for use with the DGB-600BCC only. It must never be used on the range top.
16. Do not set a hot carafe on a wet or cold surface.
17. Do not use a cracked carafe or a carafe having a loose or weakened handle.
18. Do not clean carafe or resting plate with cleansers, steel wool pads, or other abrasive materials.
19. **WARNING: TO REDUCE THE RISK OF FIRE OR ELECTRIC SHOCK, DO NOT REMOVE THE BASE PANEL. NO USER SERVICEABLE PARTS ARE INSIDE. REPAIR SHOULD BE DONE ONLY BY AUTHORIZED PERSONNEL.**
20. Avoid contact with moving parts.
21. Check grinder basket for presence of foreign objects before using.
22. Use the coffee grinder to grind roasted coffee beans only. Grinding other substances, such as nuts, spices or unroasted beans may dull the blade and cause poor grinding or injury.
23. Do not place cloth or otherwise restrict airflow beneath coffeemaker.
24. Use only the Cuisinart® Gold Tone Commercial Style Filter or standard #4 basket paper filter with this unit. OTHER GOLD TONE PERMANENT FILTERS MAY CAUSE THE COFFEEMAKER TO OVERFLOW.

SAVE THESE INSTRUCTIONS

FOR HOUSEHOLD USE ONLY

WARNING: RISK OF FIRE OR ELECTRIC SHOCK



The lightning flash with arrowhead symbol, within an equilateral triangle, is intended to alert the user to the presence of uninsulated "dangerous voltage" within the product's enclosure that may be of sufficient magnitude to constitute a risk of fire or electric shock to persons.



The exclamation point within an equilateral triangle is intended to alert the user to the presence of important operating and maintenance (servicing) instructions in the literature accompanying the appliance.

SPECIAL CORD SET INSTRUCTIONS

A short power-supply cord is provided to reduce the risks resulting from becoming entangled in or tripping over a longer cord.

Longer extension cords are available and may be used if care is exercised in their use.

If a long extension cord is used, the marked electrical rating of the extension cord must be at least as great as the electrical rating of the appliance, and the longer cord should be

arranged so that it will not drape over the countertop or tabletop where it can be pulled on by children or tripped over.

NOTICE

This appliance has a polarized plug (one blade is wider than the other.) To reduce the risk of electric shock, this plug will fit into a polarized outlet only one way. If the plug does not fit fully into the outlet, reverse the plug. If it still does not fit, contact a qualified electrician. Do not modify the plug in any way.

OPERATING NOTICE

Clogging and backing up of water and/or coffee in the filter basket can occur under any or a combination of any of the following conditions: The use of too finely ground coffee, using two or more paper filters, using the gold tone filter in conjunction with a paper filter or not properly cleaning coffee grounds from the gold tone filter, or allowing coffee grounds to spill over the filter.

Caution: Never open the filter basket during the brewing cycle, even if no water is draining from the filter basket, since extremely hot water/coffee can spill out from the filter basket and cause injury. If water/coffee is not draining from the filter basket during the brewing cycle, unplug the unit and wait 10 minutes before opening and checking the filter basket.

	WARNING RISK OF FIRE OR ELECTRIC SHOCK DO NOT OPEN	
WARNING: TO REDUCE THE RISK OF FIRE OR ELECTRIC SHOCK, DO NOT REMOVE COVER (OR BACK) NO USER-SERVICEABLE PARTS INSIDE REPAIR SHOULD BE DONE BY AUTHORIZED SERVICE PERSONNEL ONLY		

INTRODUCTION

Get ready to savour hot, fresh, flavourful coffee – all day long! The Cuisinart® Grind & Brew Thermal™ 10-Cup Automatic Coffeemaker is Cuisinart technology at its best. This fully programmable deluxe Premier Series model integrates the best coffee making technology, streamlined European design, and smooth brushed stainless steel to create the perfect coffeemaker.

The Grind & Brew Thermal™ makes it easy to enjoy delicious gourmet coffee at home. Simply place whole beans into the separate grinding chamber, add water, set the flavour control to 1-4 or 5+ cups, and program start-time up to 24 hours in advance. Coffee brews through and, pours through a self-sealing lid into a double-wall insulated thermal carafe to keep it fresh and hot for hours. A charcoal water filter and a permanent commercial-style gold tone coffee filter let only pure coffee flavour flow through, and the popular Brew Pause™ feature even lets you sneak a cup before the cycle is finished.

Cuisinart is famous for its ease of use. The Grind & Brew Thermal™ 10-Cup Automatic Coffeemaker has a separate grinding assembly and filter chamber to make beans easy to add and used grounds easy to remove. A convenient “grind off” control lets you turn the grinder off when using preground coffee.

Cuisinart is also famous for easy cleanups. Dishwasher safe parts. Separate grind and filter chambers, and a spectacular brushed stainless steel housing that wipes clean in seconds. Get ready to savor the good life!

TABLE OF CONTENTS

Important Safeguards	Page 1
Unpacking Instructions	Page 3
Introduction	Page 3
The Quest for the Perfect Cup of Coffee	Page 4
Features and Benefits	Page 5
Control Panel	Page 7
Programming Your Coffeemaker	Page 8
Setting the Time	Page 8
Programming the Auto On	Page 8
Changing the Water Filter	Page 8
Making Coffee	Page 9
Cleaning and Maintenance	Page 11
Warranty	Page 12

IMPORTANT UNPACKING INSTRUCTIONS

1. Place the box on a large, sturdy, flat surface.
2. Remove the instruction book “Starter Kit” (paper filters, scoop, charcoal water filter) and any other literature located on the top polyfoam.
3. Turn the box so that the back side of the coffeemaker is down and slide the coffeemaker from the box.
4. After the coffeemaker has been removed, place the box out of the way and lift off the top polyfoam insert.
5. Remove cardboard insert from carafe handle.
6. Remove the cardboard insert between the carafe lid and Brew Pause™ mechanism by sliding it out of the unit.
7. Grasp the carafe by its handle, remove it from the resting plate, and remove the polybag.
8. Remove the polybag covering the coffeemaker.

We suggest you save all packing materials in the event that future shipping of the machine is needed. Keep all plastic bags away from children.

THE QUEST FOR THE PERFECT CUP OF COFFEE

It is generally agreed that there are four basic elements critical to the perfect cup of coffee:

Element 1: Water

Coffee is 98% water. Often overlooked, the quality of the water is as important as the quality of the coffee. A good rule of thumb is that if your water doesn't taste good from the tap, it won't taste any better in your coffee. That's why Cuisinart has added a water filter to the Grind & Brew Thermal™ Automatic Coffeemaker. The charcoal water filter removes chlorine, bad tastes and odours, for the purest cup of coffee every time.

Element 2: Coffee

While the bulk of the liquid is water, all of the flavour should be from the coffee. To achieve the same great quality cup of coffee you receive at a coffee bar, you need to use the same quality beans.

Buy the beans fresh and whole, only about two weeks' supply at a time for maximum freshness. Once the coffee bean is broken, its flavour degrades very quickly. That's why the Grind & Brew Thermal™ grinds your coffee just prior to brewing. If it is not practical to buy small supplies, we recommend you separate larger amounts of beans into one to two week portions immediately after purchase, and freeze them in airtight containers. The best way to maximize freshness is to minimize exposure to air, light and moisture. So, once beans have been removed from the freezer, maintain them in a sealed container at room temperature, since damaging condensation occurs every time the beans are removed from the freezer or refrigerator. Note that some coffee experts advise against freezing dark-roast beans, because freezing can cause the oils to coagulate. Other experts disagree. We suggest you experiment and decide for yourself.

Element 3: Grind

The grind is critical for proper flavour extraction. If the grind is too fine, overextraction and bitterness will result. Too fine a grind may also clog the filter. If grind is too coarse, the water will pass through too quickly and the desired flavours will not be extracted. The Grind & Brew Thermal™ is preset for a medium grind, the optimal grind for this type of coffeemaker.

Element 4: Proportion

The Grind & Brew Thermal™ makes up to ten (10) 5-ounce (148ml) cups of coffee.

Using Whole Beans:

- We recommend you use 1 level scoop of whole beans per cup. Maximum 14 level scoops. For 1 or 2 cups, use 1-1/2 level scoops per cup. Adjust the recipe according to individual taste.

DO NOT OVERFILL OR THE GRINDER COULD MALFUNCTION AND/OR THE COFFEEMAKER COULD OVERFLOW.

Using Pre-Ground Coffee:

Although it is preferable to use fresh, whole beans, you can make coffee in the Grind & Brew Thermal™ using pre-ground beans.

To do so, turn off the grinder by pressing the "Grind Off" button before turning on the unit.

Our recipe:

We suggest that you use 1 level scoop of ground coffee per cup. Adjust the recipe to your taste.

NOTE: The maximum capacity for ground coffee is 16 level scoops, using either a paper or permanent filter. Exceeding this amount may cause overflow.

FEATURES AND BENEFITS

1. Reservoir Cover

Flips back for easy filling. Removable for easy cleaning. A **Safety Interlock System** prevents operation of the unit if the Reservoir Cover is open.

2. Reservoir Cover Release Button

3. Showerhead (not shown)

Distributes water evenly over coffee, reducing temperature loss as water passes through grounds.

4. Control Panel

See detailed drawing

5. Filter Basket Compartment (see detailed drawing)

Contains:

Filter Basket

Filter Basket Cover

Filter Basket Holder

Cuisinart Gold Tone Commercial Style Filter

6. Filter Basket Door Release Button

7. Brew Pause (not shown)

Stops flow of coffee from basket when carafe is removed from resting plate, so a cup can be poured in mid-brew, if desired.

8. Resting Plate

Scratch resistant with non-stick coating.

9. Thermal Carafe with Hands-Free Lid

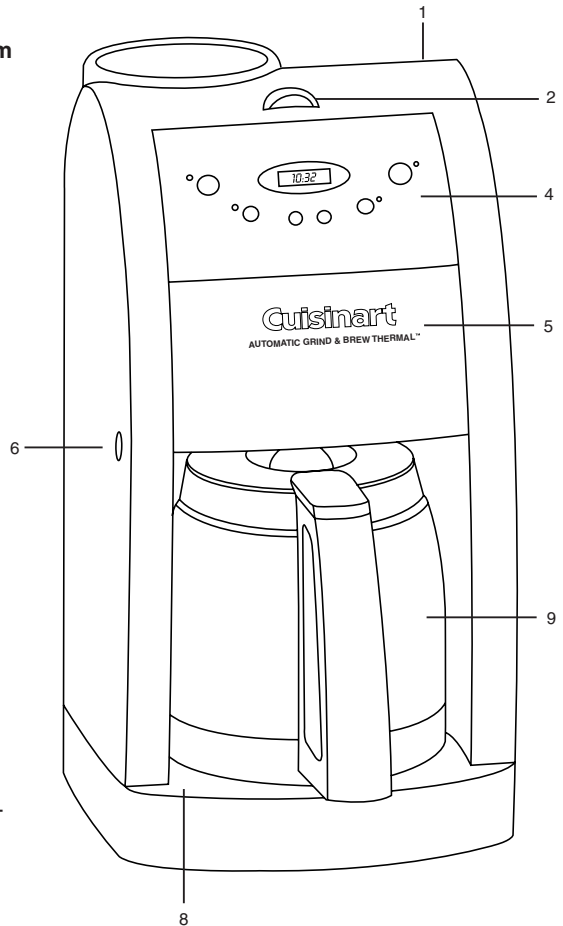
An easy pour, no drip double-wall insulated 10-cup stainless steel thermal carafe with ergonomic handle.

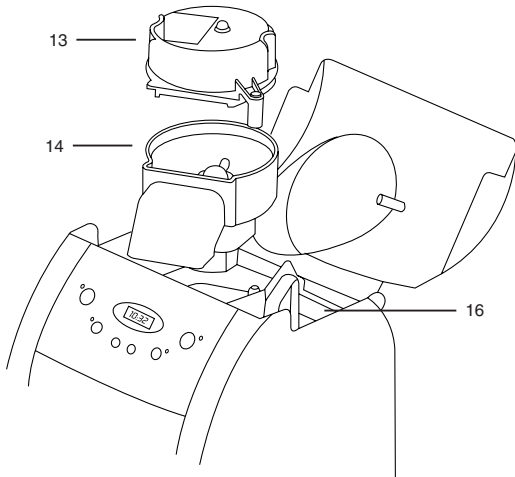
Coffee brews through and pours through a unique lid that seals air out to provide fresh flavour. No need to turn or adjust lid.

10. Cord Storage (not shown)

11. Measuring Scoop with brush (not shown)

12. #4 Basket Paper Filters included (not shown)





13. Grinder Basket Lid

Use the recess on each side of the lid to remove lid for easy addition of beans. **Note: Lid must be in place for unit to operate.**

14. Grinder Basket

15. Charcoal Water Filter (not shown)

Charcoal water filter eliminates chlorine, bad tastes and odours from tap water.

16. Water Reservoir with Water Level Indicator

17. Filter Basket Cover

To put on, match "FRONT" arrow with front of brew basket door. To remove, lift cover in area indicated by "LIFT" arrow. **NOTE: COVER MUST BE IN PLACE FOR UNIT TO OPERATE CORRECTLY. Cover becomes hot after coffee is brewed. Use caution when removing cover.**

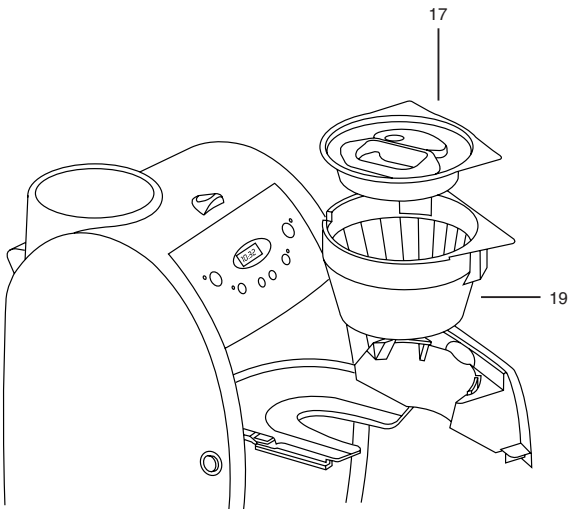
18. Gold Tone Cuisinart Commercial Style Filter (not shown)

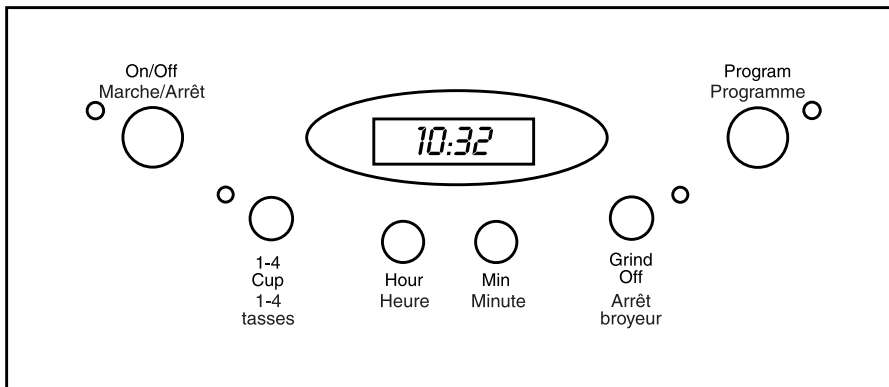
A note about filters: When using our permanent filter, be sure that the handle is positioned toward the front of the unit. If you do not, the handle may interfere with the flow of coffee into the filter basket.

Also note: using our permanent gold-tone filter will allow some fine coffee grounds to fall into the coffee carafe. This will appear as sediment in the carafe.

19. Filter Basket

Holds our commercial style permanent filter or paper filter. **NOTE: FILTER BASKET HOLDER MUST BE IN PLACE FOR UNIT TO OPERATE CORRECTLY.** Removable for easy cleaning.





Control Panel

(Detailed programming instructions are on pages 8 and 9)

1. On/Off Switch with LED Indicator:

a. Audible Tone (not shown): The Automatic Grind & Brew Thermal™ coffeemaker is equipped with an audible tone which will sound 5 times when the coffee has completed brewing (coffee may continue to stream from the filter for several seconds afterwards.) Unit will automatically shut off.

2. Low Cups Setting with LED Indicator:

Set to “1-4 cups” to improve extraction and flavour when making fewer than 5 cups of coffee.

3. Hours Set/Minutes Set

Press and hold either hour or minute button for approximately 2 seconds to enter Time Set Mode.

4. Clock Display:

Displays time of day and program setting when program button is depressed.

5. Grind Off with LED Indicator:

Use to turn off the grinder when using pre-ground coffee.

6. Program Setting with LED Indicator:

Press to display program setting or to set for programmed brewing.

PROGRAMMING YOUR COFFEEMAKER

1. Setting the Clock

When the coffeemaker is plugged in, 12:00 will appear until you set the time.

Entering "Time Set" Mode:

To set the time, hold down either the "Hours" or "Minutes" button until the clock begins flashing (about 2 seconds). You are now in the "Time Set" mode and can operate either button to achieve the desired setting. The buttons can be held down to scroll through the digits, or pressed and released lightly to advance one digit at a time.

When scrolling, the numbers will advance slowly at first and then speed up to the rate of about three per second. When the number displayed approaches the desired setting, release the button and press repeatedly to advance one digit at a time. Be careful to make sure that the PM indicator is on if a PM time is desired.

Exiting "Time Set" Mode:

The "Time Set" mode can be exited in one of two ways:

1. Press any button besides the "Hours" or "Minutes" button. This will exit the "Time Set" and activate the selected function.
2. Do nothing. If neither the "Hours" nor "Minutes" button is pressed for a period of five seconds, the "Time Set" mode will be exited.

2. Setting the Program Time:

When you press the "Program Set" button, it displays the current program time (default time 12:00 p.m.).

Entering "Set Program Time" Mode:

Press and hold the "Program Set" button (about 2 seconds) until the green light and LCD display begin to flash. This signals that you have entered the "Set Program Time" mode. The desired time can be set by pressing the "Hours" and "Minutes" buttons to scroll forward through the digits. Pressing and holding either button will allow you

to scroll continuously, slowly at first, and then to accelerate to the rate of about three digits per second. As the desired time setting approaches, release the button and then press repeatedly to advance one digit at a time. The coffeemaker will start to brew at the programmed time. The "Program" mode cannot be entered if the coffeemaker is in its "brew" cycle.

Exiting "Set Program Time" Mode:

"Set Program Time" may be exited in any of three ways:

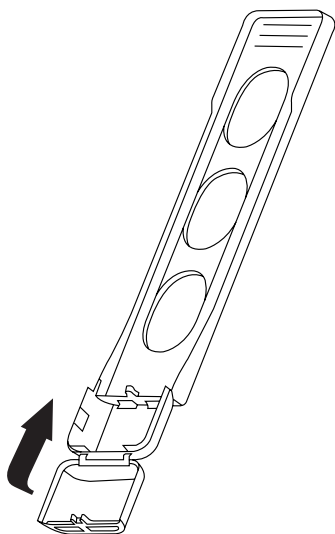
1. Press the "Program Set" button. This will cause the coffeemaker to revert to its previous state. If it was OFF, it will return to the OFF position. If "Programmed", it will revert to this state, and so on. This is a safety feature.
2. Press any other button (except "Hours" or "Minutes"). "Set Program Time" will be exited and the function of that button will be executed.
3. Do nothing. If neither the "Hours" nor "Minutes" button is pressed for a period of five seconds, the "Set Program Time" mode will be exited and the programmed setting will be in effect.

Insert the Water Filter

- a. Remove the filter from polybag and soak in cold tap water for 15 minutes.
- b. Remove the water filter holder from the coffeemaker by lifting it out of the reservoir area with your thumb and forefinger.
- c. Grasp stem in one hand. Using thumb of other hand, gently press down and pull toward you. Compartment will flip open.
- d. Place the filter in the holder and close the water filter holder; you will hear a snap indicating filter is in place.

NOTE: Caution must be used when inserting the charcoal filter. Improper placement in the holder can cause tearing of the filter skin.

- e. Hold the filter under cold running tap water for 10 seconds to flush. You should place the hole openings in the side of the unit directly under the water stream.
- f. Allow the filter to drain completely.



- g. Replace the water filter holder in the reservoir area of the coffeemaker, pushing it all the way down to the base of the unit, along the reservoir wall.

Note: We recommend changing the water filter every 60 days or 60 uses or more often if you have hard water.

Replacement water filters can be purchased in stores or by calling customer service or through the Cuisinart web site.

TURNING OFF GRIND FUNCTION

To turn off the grinding function, press the "Grind Off" button. An amber LED will be illuminated. Then press the On button.

MAKING COFFEE

Before you make the first pot of coffee in your new Cuisinart® Grind & Brew Thermal™ Automatic coffeemaker, we recommend operating the coffeemaker once, using only water and a paper filter. This will remove any dust or residues which remain in the system from the manufacturing process.

1. Fill the Water Reservoir

Open the reservoir lid by pushing the release button and lifting up. Pour the desired amount of water in the reservoir using the step water indicator located at the rear of the reservoir.

2. Add Beans

Lift the grinder basket lid, using the recess on either side. Fill the basket with the desired quantity of beans.

(Use 1 level scoop of whole beans per cup. For 1 to 4 cups, use 1-1/2 level scoops per cup. **Maximum capacity is 14 level scoops. Do not overfill or the grinder could malfunction and/or the coffeemaker may overflow.** This is our suggested recipe. Adjust the recipe to taste.)

3. Open Filter Door

Place a #4 basket paper filter or Cuisinart's® commercial style permanent filter in the basket.

Note: When using the Cuisinart filter, be sure that the filter handle is facing away from the grinder basket. If you do not do so, the handle may interfere with the flow of ground coffee into the filter basket. Also note: a permanent filter may allow some ground coffee to flow into carafe.

The filter holder will help to keep the filter open, but when using a paper filter, be sure that the filter is completely open while touching the side walls and bottom of the basket.

Place filter basket lid in place. Close filter door.

4. Close the Reservoir Lid

Press down to lock. The Grind & Brew Thermal™ Automatic coffeemaker is equipped with a Safety Interlock System. The Grind & Brew Thermal™ coffeemaker will not operate if the cover of the unit is open or the grinder cover is left out. If you try to turn the unit on with the cover open, the unit will beep continuously until the missing parts are installed and you close the lid. The unit will also beep if you open the lid during the brewing process.

The grinder will stop grinding or, if brewing, the brewing will stop. Once the missing parts are installed and the cover is closed, the beeping

stops. The brewing process can be restarted by pressing the “On” button. Restarting the process will not affect coffee results. If you do not want the grinder to come on again, press the “Grind Off” button before pressing the “On” button. Once the lid is closed, the beeping will stop, and the grind and brew process will start again from the beginning.

5. Before Brewing Coffee

Remove thermal carafe lid by turning in the direction of the “unlock” arrow. Prewarm carafe by rinsing it out with hot water. **PREWARM CARAFE BY RINSING IT OUT WITH HOT WATER. PREWARMING THE CARAFE WILL HELP KEEP THE COFFEE HOTTER.**

Return the carafe lid to the carafe. To lock the lid, turn in the direction of the “lock” arrow until it fits tightly on carafe and arrow lines up in the centre of the pour spout. This ensures lid is closed and in the proper position for brewing and pouring.

Make sure you have replaced the thermal carafe in its position on the resting plate and have placed a filter in the filter basket. Plug the cord into an electrical outlet. “12:00” will appear until you set the time. This will not interfere with the operation of the coffeemaker. To set clock, see the “Programming Your Coffeemaker” section, page 8.

6. Power Unit

a) Immediate grinding and brewing:

Press the ON button. The indicator will light and the process will begin.

b) Programmed Brewing:

Press the “Program” button. The indicator will light and the display will show the programmed time for as long as the button is depressed. The display reverts back to time of day once the button is released. To set the programmed time, see “Programming Your Coffeemaker” on page 8.

7. Select Cups Setting

The 1-4 cup setting button is used when you make small amounts of coffee. Normal coffeemakers will produce a colder batch of coffee when smaller amounts are made, because the heater doesn't have enough time to properly ‘warm up’ to heat a small amount.

The 1-4 setting basically ‘double heats’ the water, making your smaller amount as piping hot as a full pot would be.

To use: When making a smaller amount, press the 1-4 button on the control panel after turning on the unit. The indicator light will illuminate. Note that the 1-4 button can be set at any time.

8. During and After Brewing

The Brew Pause™ feature allows you to remove the carafe during mid-brew. The brewing process does not stop during this period; only the flow of coffee from the basket stops. **Do not remove the carafe for longer than 30 seconds or the coffee may overflow the basket.** While we offer this feature, we do not recommend that you pour coffee before the cycle has reached completion, since the coffee brewed at the beginning of the cycle has a flavour profile which is very different from the coffee made at the end of the cycle. Removing a cup during the brewing cycle will alter the flavour of the finished pot.

Once the coffee has finished brewing, stir it before serving to blend the flavours. The coffee at the bottom of the carafe will be somewhat stronger than the coffee at the top.

When the brewing cycle has been completed, five beeps will sound. Coffee will continue to stream from the filter for several seconds.

After brewing, the unit will automatically shut itself off. The thermal carafe will keep the coffee hot for hours.

Bottom of Thermal Carafe is hot to touch for several minutes after brewing.

Use caution.

The brew-through, pour-through lid allows coffee to drip from coffeemaker through the closed lid. When brewing is complete, the lid seals itself so air stays out and coffee freshness and temperature are preserved. No need to turn or adjust the lid before pouring.

TO MAKE COFFEE WITH PRE-GROUND BEANS:

Follow step #1 from Making Coffee section on page 9, then continue as follows:

2. Open filter door. Add ground coffee to our permanent or #4 basket paper filter. Our recipe suggestion: Use 1 level scoop of ground coffee per cup. Adjust the recipe according to your individual taste.

NOTE: The maximum capacity for ground coffee is 16 level scoops, using either a paper or permanent filter. Exceeding that amount may cause overflow if the coffee is too finely ground.

3. Place filter basket lid in place. Close filter door.
4. Follow instructions 5 through 8 from the Making Coffee section.
5. Press the "Grind Off" button. When this function is activated, an amber LED will be illuminated. Then press the "ON" button.

CLEANING AND MAINTENANCE

COMPLETELY CLEAN AND DRY ALL PARTS AFTER EVERY USE.

Always turn coffeemaker OFF and remove the plug from the electrical outlet before cleaning.

Open the reservoir lid*. Remove the grinder basket lid by using the recessed area on each side of the lid. Then remove Grinder Basket. Open Filter Basket Door. Remove Filter Basket Cover, Filter Basket and Filter Basket holder.

The grinder basket, grinder basket lid, filter basket and filter basket cover can be washed in warm soapy water and rinsed thoroughly, or cleaned in the upper rack of the dishwasher. Dry all parts after every use.

Do not put any water in the unit once the grinder basket has been removed. Wipe the area under the grinder basket with a damp cloth. If water gets into the grinder motor, the motor may become damaged and may malfunction.

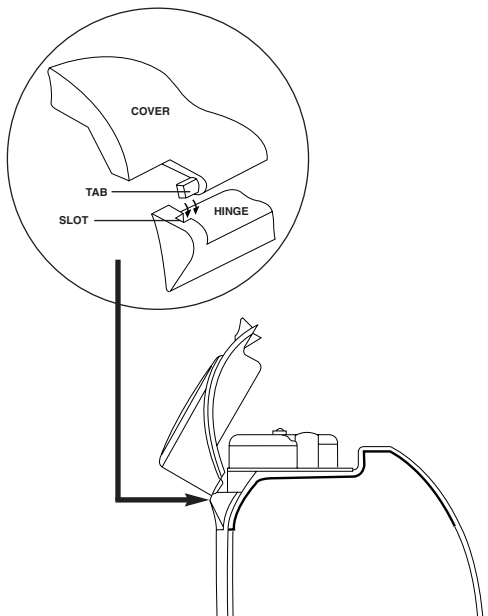
Once clean, reverse the above steps.

Remove the carafe from the resting plate. Discard any remaining coffee. The carafe and lid can be washed in warm soapy water and rinsed thoroughly, or placed in a dishwasher. The carafe and carafe lid should be placed on the upper rack only.

Do not use scouring agents or harsh cleansers on any part of the coffeemaker.

Never immerse base unit in water or other liquid. To clean base, simply wipe with a clean, damp cloth and dry before storing. Wipe resting plate with a clean, damp cloth. Never use rough, abrasive materials or cleansers to clean the resting plate. Do not dry the inside of the water reservoir with a cloth, as lint may remain.

* Note: Reservoir lid can also be removed for easy cleaning. Open the lid 60° and gently pull toward you. To replace, reverse steps.



DECALCIFICATION

Decalcification refers to removing the calcium deposits which form over time on the metal parts of the coffeemaker.

For best performance from your coffeemaker, decalcify the base unit from time to time. The frequency depends upon the hardness of your tap water and how often you use the coffeemaker.

To clean, fill the water reservoir to capacity with a mixture of 1/3 white vinegar and 2/3 water. Turn the coffeemaker on by pressing the ON button. One cycle should be sufficient to adequately clean the coffeemaker. When the cycle is completed and the five beeps sound, turn coffeemaker off. Repeat operation, this time using fresh cold water.

WARRANTY

LIMITED THREE-YEAR WARRANTY

This warranty supersedes all previous warranties on the Cuisinart® Grind & Brew Thermal™ Automatic Coffeemaker.

This warranty is available to consumers only. You are a consumer if you own a Cuisinart® Grind & Brew Thermal™ Automatic Coffeemaker that was purchased at retail for personal, family or household use. Except as otherwise required under applicable state law, this warranty is not available to retailers or other commercial purchasers or owners.

We warrant that your Cuisinart® Grind & Brew Thermal™ Automatic Coffeemaker will be free of defects in material or workmanship under normal home use for three years from the date of original purchase.

We suggest that you complete and return the enclosed warranty registration card promptly to facilitate verification of the date of original purchase. However, return of the warranty registration is not a condition of these warranties and does not eliminate the need for the consumer to maintain the original proof of purchase. In the event that you do not have proof of purchase date, the purchase date for

purposes of this warranty will be the date of manufacture.

If your coffeemaker should prove to be defective within the warranty period, we will repair it (or, if we think it necessary, replace it) without charge to you. To obtain warranty service, please call our Consumer Service Centre toll-free at 1-800-472-7606 or write to:

Cuisinart Canada
156 Parkshore Drive
Brampton, Ontario L6T 5M1

To facilitate the speed and accuracy of your return, please also enclose \$10.00 for shipping and handling of the product (California residents need only supply proof of purchase and should call 1-800-726-0190 for shipping instructions). Please also be sure to include a return address, description of the product defect, product serial number, and any other information pertinent to the product's return. Please pay by cheque or money order.

Your Cuisinart® coffeemaker has been manufactured to strict specifications and has been designed for use with the Cuisinart® coffeemaker authorized accessories and replacement parts for your model. These warranties expressly exclude any defects or damages caused by accessories, replacement parts or repair service other than those that have been authorized by Cuisinart.

These warranties exclude all incidental or consequential damages. Some states do not allow the exclusion of or limitation of incidental or consequential damages, so the foregoing limitation or exclusion may not apply to you.

CALIFORNIA RESIDENTS ONLY

California law provides that for In-Warranty Service, California residents have the option of returning a nonconforming product (A) to the store where it was purchased or (B) to another retail store which sells Cuisinart products of the same type. The retail store shall then, at its choice, either repair the product, refer the consumer to an independent repair facility, replace the product, or refund the purchase price less the amount directly attributable to the consumer's prior usage of the product. If either of the above two options does not result in the appropriate relief to the consumer, the consumer may then take the

product to an independent repair facility if service or repair can be economically accomplished. Cuisinart and not the consumer will be responsible for the reasonable cost of such service, repair, replacement, or refund for nonconforming products under warranty.

California residents may also, at their preference, return nonconforming products directly to Cuisinart for repair or, if necessary, replacement by calling our Consumer Service Center toll-free at 800-726-0190. Cuisinart will be responsible for the cost of the repair, replacement, and shipping and handling for such nonconforming products under warranty.

BEFORE RETURNING YOUR CUISINART PRODUCT

Important: If the nonconforming product is to be serviced by someone other than Cuisinart's Authorized Service Centre, please remind the servicer to call our Consumer Service Centre to ensure that the problem is properly diagnosed, the product serviced with the correct parts, and to ensure that the product is still under warranty.

Cuisinart

SAVOR THE GOOD LIFE®



Coffeemakers



Food Processors



Toaster Ovens



Blenders



Cookware



Ice Cream Makers

Discover the complete line of Cuisinart® brand premier kitchen appliances including food processors, mini food processors, hand mixers, blenders, toasters, coffeemakers, cookware, ice cream makers and toaster ovens at

www.cuisinart.ca

©2006 Cuisinart
Cuisinart® is a registered
trademark of Cuisinart.

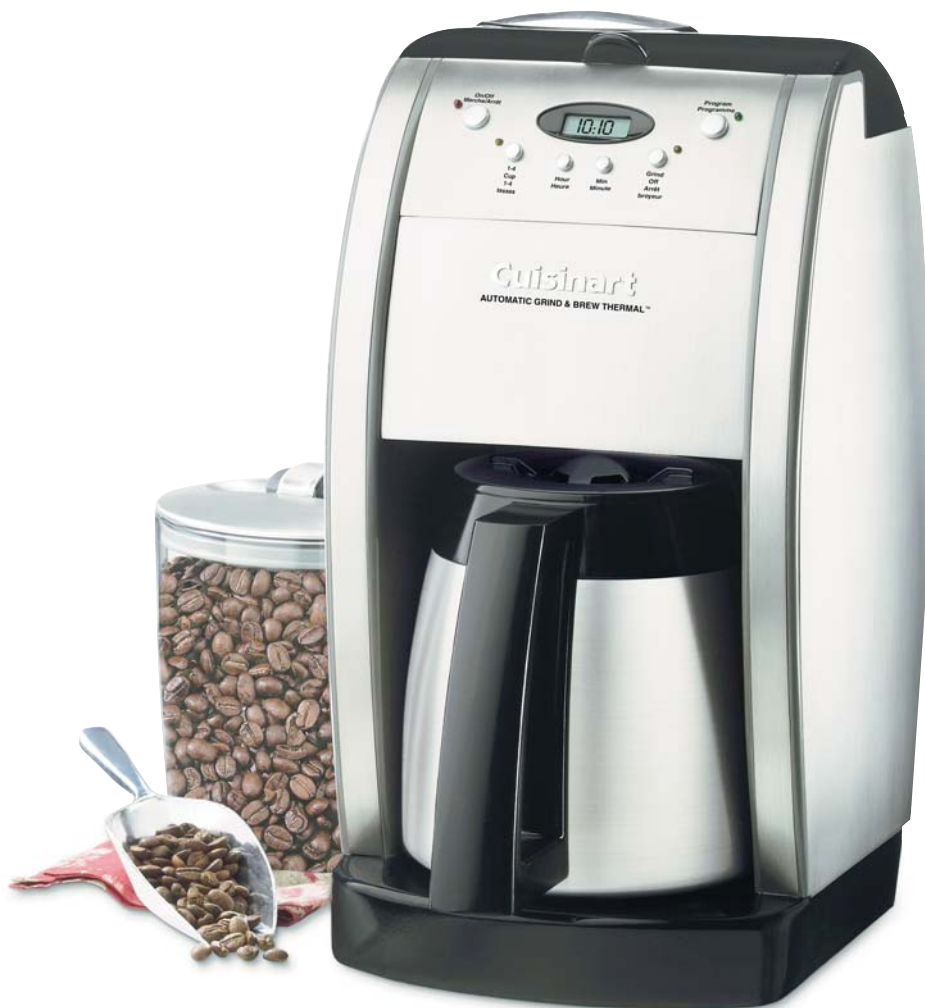
Cuisinart Canada
156 Parkshore Drive
Brampton, Ontario L6T 5M1
Consumer Call Centre E-mail:
Consumer_Canada@Conair.com

Printed in China

02CC18108

U IB-4336B-CAN-A

Cuisinart®



Moulin-café automatique Grind & Brew Thermal™ 10 tasses

DGB-600BCC

Pour votre sécurité et afin de profiter pleinement de votre appareil, veuillez toujours lire le manuel
Download from www.Somanuals.com. All Manuals Search And Download.
d'instructions avec soin avant utilisation.

IMPORTANTES CONSIGNES DE SÉCURITÉ

Lorsque vous utilisez un appareil électrique, il y a lieu de prendre toutes les précautions élémentaires nécessaires, dont celles qui suivent, afin d'éliminer les risques d'incendie, d'électrocution et de blessures corporelles.

1. LISEZ ATTENTIVEMENT TOUTES LES DIRECTIVES.
2. Évitez tout contact avec les surfaces chaudes. Servez-vous des poignées et des manches.
3. Pour éviter les risques d'électrocution, n'immergez pas le cordon, la douille ou l'appareil dans l'eau ou tout autre liquide.
4. Exercez une surveillance attentive lorsque l'appareil est utilisé par des enfants ou près de ceux-ci.
5. Débranchez l'appareil quand il ne sert pas, avant d'y mettre ou d'en enlever des pièces et avant de le nettoyer. Laissez-le refroidir avant d'en enlever ou d'y remettre des pièces et avant de le nettoyer.
6. Ne faites pas fonctionner l'appareil ni tout autre appareil dont la fiche ou le cordon est abîmé, qui n'est pas en bon état de fonctionnement ou qui a été échappé; retournez-le au centre de service après-vente agréé le plus proche pour inspection, réparation ou mise au point mécanique ou électrique.
7. L'utilisation d'accessoires non recommandés ou non vendus par Cuisinart peut causer des blessures.
8. Ne l'utilisez pas à l'extérieur.
9. Ne laissez pas le cordon pendre d'une table ou d'un comptoir ni entrer en contact avec des surfaces chaudes.
10. Ne le placez pas sur ou près d'un brûleur à gaz, d'un élément électrique ou dans un four chaud.
11. Remplissez toujours le réservoir d'abord puis branchez dans la prise de courant murale. Pour débrancher, appuyez sur le bouton « Arrêt » puis retirez la fiche de la prise.
12. N'utilisez pas cet appareil à des fins autres que celles auxquelles il est destiné.
13. Assurez-vous que le couvercle de la verseuse soit bien enclenché avant de servir toute boisson.
14. Vous risquez de vous faire ébouillanter par la vapeur brûlante si vous enlevez le couvercle pendant que l'eau bout.
15. La verseuse en verre est conçue pour usage avec le modèle DGB-600 seulement. Vous ne devez jamais l'utiliser sur le dessus de la cuisinière.
16. Ne déposez pas la verseuse chaude sur une surface mouillée ou froide.
17. Ne vous servez jamais de la verseuse si elle est fêlée, ou d'une carafe dont la poignée est abîmée ou n'est pas solide.
18. N'utilisez pas de détergents, de tampons d'acier ou de produits abrasifs pour nettoyer la verseuse et la base chauffante.
19. **ATTENTION: POUR ÉVITER TOUT RISQUE D'INCENDIE OU D'ÉLECTROCUTION, N'ENLEVEZ PAS LE PANNEAU DE LA BASE. IL NE S'Y TROUVE AUCUNE PIÈCE RÉPARABLE PAR L'UTILISATEUR; TOUTE RÉPARATION DOIT ÊTRE EFFECTUÉE PAR UN PERSONNEL AUTORISÉ.**
20. Évitez tout contact avec les pièces mobiles.
21. Vérifiez le panier-broyeur avant l'utilisation afin qu'il ne s'y trouve aucun objet étranger.
22. N'utilisez le broyeur que pour moudre les graines de café grillées. Le broyage d'autres substances telles que noix, épices ou graines non grillées peut émousser la lame et affecter le broyage ou même occasionner des blessures.
23. Ne placez aucun linge ou objet qui pourrait obstruer la circulation sous la cafetière.
24. N'utilisez que les filtres dorés de style commercial de Cuisinart® ou les filtres de papier ordinaires # 4 pour panier-filtre avec cet appareil. LES AUTRES FILTRES DORES PERMANENTS PEUVENT FAIRE DEBORDER LA CAFETIÈRE.

CONSERVEZ CES INSTRUCTIONS

POUR USAGE MÉNAGER SEULEMENT

MISE EN GARDE : RISQUE D'INCENDIE OU DE CHOC ÉLECTRIQUE



L'éclair terminé d'une flèche dans un triangle équilatéral a pour but d'attirer l'attention de l'utilisateur à la présence de fil à « voltage dangereux » non isolé, à même le boîtier du produit, de puissance assez élevée pour causer un risque d'incendie ou de choc électrique aux personnes.



Le point d'exclamation dans un triangle équilatéral a pour but d'attirer l'attention de l'utilisateur à la présence d'importantes directives d'utilisation et d'entretien courant dans la documentation incluse avec l'appareil.

INSTRUCTIONS POUR LE CORDON AMOVIBLE SPÉCIAL

Le cordon plus court du bloc d'alimentation est prévu pour éviter les risques que quelqu'un s'étrangle ou trébuche à cause d'un fil trop long.

Des cordons plus longs sont disponibles et doivent être utilisés avec soin.

Si vous désirez un cordon plus long, son calibre électrique doit être aussi élevé que

celui de l'appareil. De plus, il doit être placé sur le comptoir ou sur la table de façon qu'il ne pende pas et qu'il ne soit pas accessible aux enfants.

REMARQUE

Cet appareil est muni d'une fiche d'alimentation polarisée (une des deux broches est plus large que l'autre). Si le branchement n'est pas complet, inversez la fiche. Si le branchement est toujours incomplet, communiquez avec un électricien qualifié. Ne modifiez pas la prise de quelque façon que ce soit.

AVIS DE FONCTIONNEMENT

Il se peut qu'il y ait engorgement ou trop-plein d'eau dans le panier-filtre attribuables à une ou plusieurs des raisons suivantes : une mouture trop fine, l'utilisation de deux filtres en papier ou plus, l'utilisation du filtre permanent doré et d'un filtre-papier en même temps, le filtre permanent doré n'est pas nettoyé comme il se doit ou les graines de café ont débordé le filtre.

Avertissement : N'ouvrez jamais le panier-filtre durant le cycle d'infusion même si l'eau ne s'écoule pas du panier-filtre; de l'eau ou du café extrêmement chaud pourrait déborder du panier-filtre et causer des blessures. Si l'eau ou le café ne s'égoutte pas du panier-filtre durant le cycle d'infusion, débranchez l'appareil et attendez 10 minutes avant d'ouvrir le panier-filtre pour vérification.



INTRODUCTION

Préparez-vous à savourer du café chaud, frais et délicieux à toute heure du jour! Le Moulin-cafétière automatique Grind & Brew Thermal^{MD} 10 tasses de Cuisinart[®] est le nec plus ultra de la technologie Cuisinart. Ce modèle de luxe entièrement programmable qui fait partie de la Série café de prestige fait appel aux connaissances techniques les plus récentes de Cuisinart en la matière, à un design profilé européen et à l'élégance de l'acier inoxydable brossé pour créer la cafétière parfaite.

Le Moulin-cafétière automatique Grind & Brew Thermal^{MD} vous permet de déguster un café de gourmet à domicile. Il suffit d'ajouter les graines entières dans le panier du moulin, d'ajouter l'eau, de régler le contrôle à 1-4 tasses ou 5 tasses + et de programmer l'heure jusqu'à 24 heures à l'avance. Le café s'infuse et s'écoule à travers un couvercle auto-étanche jusque dans la verseuse isolante qui le garde frais et chaud pendant des heures. Grâce à un filtre à charbon et un filtre couleur doré permanent de style commercial, seul le café au goût le plus pur se rend à votre tasse. La pratique fonction Brew Pause^{MD} vous permet de déguster une tasse de café avant la fin du cycle. Le Moulin-cafétière automatique Grind & Brew Thermal^{MD} 10 tasses de Cuisinart[®] est doté d'un dispositif de mouture séparé et d'une cuvette de filtrage qui facilitent l'ajout de graines fraîches et le retrait du marc de café. Un contrôle pratique « Arrêt broyeur » met l'appareil hors tension lorsque vous utilisez du café pré-moulu.

Les produits Cuisinart sont reconnus pour leur grande facilité d'utilisation. Les pièces vont au lave-vaisselle. Le dispositif de mouture et le filtre à café sont séparés pour en faciliter le nettoyage. Le bloc-moteur en acier inoxydable brossé se nettoie au moyen d'un chiffon humide en quelques secondes seulement. Préparez-vous à savourer la bonne vie!

TABLE DES MATIÈRES

Importantes consignes de sécurité . . .	Page 1
Directives de déballage	Page 3
Introduction	Page 3
En quête de la tasse de café par excellence	Page 4
Caractéristiques et avantages	Page 5
Tableau de commande	Page 7
Fonction de programmation	Page 8
Réglage de l'heure	Page 8
Programmation de la marche automatique	Page 8
Programmation de l'auto-arrêt	Page 8
Changement du filtre à eau	Page 8
Pour faire le café	Page 9
Nettoyage et entretien	Page 11
Garantie	Page 12

DIRECTIVES IMPORTANTES DE DÉBALLAGE

1. Placez la boîte sur une grande surface plane et solide.
2. Retirer le livret d'utilisation, la trousse de démarrage (filtres en papier, pelle, filtre au charbon) et les documents sur le morceau en polymousse du dessus.
3. Tournez la boîte de sorte que le dos de la cafétière soit dirigé vers le bas, et glissez la cafétière hors de la boîte.
4. Une fois la cafétière retirée de la boîte, écartez la boîte et soulevez l'insertion du dessus en mousse de polyuréthane.
5. Retirez l'insertion en carton de la poignée de la cafétière.
6. Retirez l'insertion en carton entre le couvercle de la carafe et le mécanisme Brew Pause^{MC} en la glissant hors de l'unité.
7. Saisissez la carafe par la poignée, retirez-la de la plaque chauffante et retirez le sac en plastique.
8. Retirez le sac en plastique recouvrant la cafétière.

Nous vous suggérons de conserver tout le matériel d'emballage advenant le cas où vous devriez nous retourner l'appareil. Gardez tous les sacs de plastique hors de la portée des enfants.

EN QUÊTE DE LA TASSE DE CAFÉ PAR EXCELLENCE

En général, on reconnaît quatre facteurs de base indispensables à la tasse de café parfaite :

Facteur No 1 : l'eau

Le café se compose principalement de 98 % d'eau. Bien qu'on l'ignore souvent, la qualité de l'eau importe autant que la qualité du café. Une bonne règle à suivre est que si l'eau du robinet n'a pas bon goût, elle ne goûtera pas mieux dans votre café. C'est pour cela que Cuisinart a ajouté un filtre à eau à son Moulin-cafétière automatique Grind & Brew Thermal^{MD}. Le filtre à charbon supprime le chlore, le mauvais goût et les odeurs désagréables pour assurer la tasse de café le plus pur à chaque fois.

Facteur No 2 : le café

Bien que la plus grande partie du liquide soit de l'eau, toute la saveur devrait provenir du café. Pour obtenir la qualité excellente d'un café du café-bar, vous devez utiliser des graines de la même qualité.

Achetez des graines fraîches et entières en quantité suffisante pour deux semaines seulement afin de leur garder toute leur fraîcheur. Dès qu'une graine de café est brisée, son goût se détériore rapidement. C'est pour cela que le Moulin-cafétière Grind & Brew Thermal^{MD} mout les graines juste avant l'infusion. Comme il n'est pas pratique d'acheter de petites portions à la fois, nous vous recommandons de séparer les plus grandes quantités en portions suffisantes pour une ou deux semaines et de les congeler dans des contenants hermétiques. Le meilleur moyen de leur conserver leur fraîcheur maximale est de limiter au minimum leur exposition à l'air, à la lumière et à l'humidité. Ainsi, dès que vous sortez les graines du congélateur, gardez-les dans un récipient hermétique à la température de la pièce, puisque la condensation qui se forme chaque fois que vous les sortez du congélateur ou du réfrigérateur peut en altérer le goût. Remarquez que certains experts en café s'opposent à la congélation des graines de café grillées foncées, parce que la congélation peut faire coaguler les huiles. D'autres experts ne sont pas d'accord. Nous vous suggérons d'essayer et de décider par vous-mêmes.

Facteur No 3 : la mouture

La mouture est critique car elle décide de l'extraction convenable pour obtenir le goût parfait. Une mouture trop fine résulte en une extraction excessive et un goût amer. Des graines moulues trop fines peuvent bloquer le filtre. Une mouture grossière laissera passer l'eau trop rapidement et par conséquent, l'extraction n'aura pas l'effet voulu. La fonction Grind & Brew Thermal^{MD} est pré réglée à une mouture moyenne, c'est à dire la meilleure mouture pour ce type de cafétière.

Fonction No 4 : les proportions

Le Moulin-cafétière Grind & Brew Thermal^{MD} peut préparer jusqu'à dix (10) tasses de 5 onces (148 ml) de café.

Avec graines entières :

- Nous recommandons un pelle rase de graines entières par tasse jusqu'à un maximum de 14 pelles rase. Pour faire 1 ou 2 tasses, utilisez 1 1/2 pelles rases par tasse ou ajustez selon votre goût.

NE REMPLISSEZ PAS TROP : LE BROYEUR POURRAIT MAL FONCTIONNER ET LA CAFETIÈRE DÉBORDER.

Utilisation de café pré-moulu :

Bien qu'il soit préférable que vous utilisiez des graines fraîches entières, vous pouvez utiliser des graines de café pré-moulues dans le Moulin-cafétière Grind & Brew Thermal^{MD}.

Pour ce faire, appuyez sur la touche « Arrêt-broyeur » avant de mettre la cafétière en marche.

Notre recette :

Nous vous suggérons d'utiliser une pelle rase de café pré-moulu par tasse. Ajustez la mesure au goût.

REMARQUE : La capacité maximale de café moulu est de 16 pelles rases, que vous utilisiez un filtre de papier ou un filtre permanent. Une quantité supérieure pourrait faire déborder la cafétière.

CARACTÉRISTIQUES ET AVANTAGES

1. Couvercle du réservoir

Bascule vers l'arrière pour permettre de remplir le réservoir facilement. Amovible pour faciliter le nettoyage. Un **dispositif de verrouillage de sécurité** empêche le fonctionnement de l'appareil si le couvercle du réservoir est ouvert.

2. Bouton de déclenchement du couvercle du réservoir

3. Gicleur (non illustrée)

Distribue l'eau également sur le café, réduisant la perte de température tandis que l'eau coule à travers les graines.

4. Tableau de commande

Voir le schéma détaillé

5. Compartiment du panier-filtre (voir le schéma détaillé)

Renferme :

Panier-filtre

Couvercle du panier-filtre

Porte panier-filtre

Filtre doré de style commercial Cuisinart

6. Bouton de déclenchement de la porte du panier-filtre

7. Fonction « Brew Pause » (non illustrée)

Arrête l'écoulement du café quand la verseuse est retirée de la base chauffante, de façon qu'une tasse peut-être versée au milieu du cycle d'infusion, si désiré.

8. Base chauffante

Résiste aux égratignures grâce au revêtement anti-adhésif.

9. Verseuse isolante avec couvercle mains libres

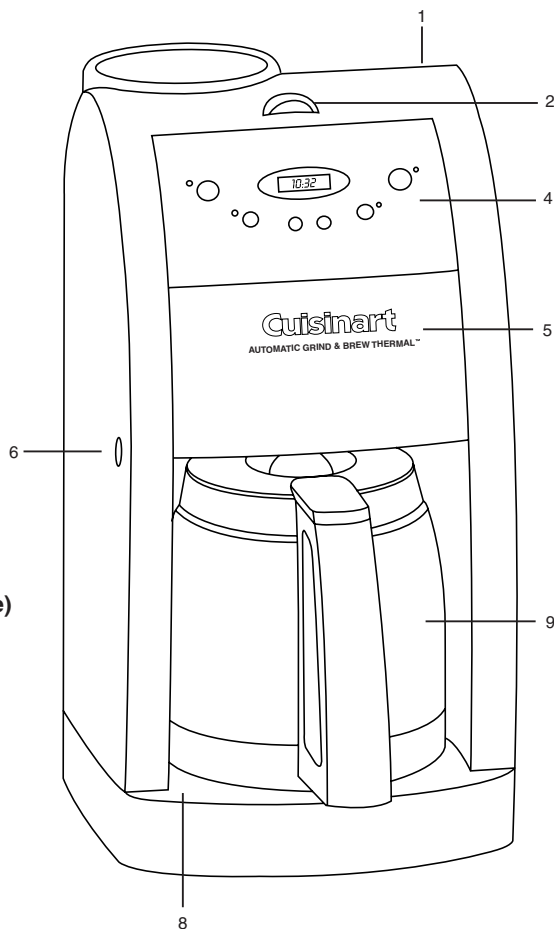
La verseuse isolante anti-gouttes de 10 tasses en acier inoxydable à paroi double, est dotée d'une poignée ergonomique.

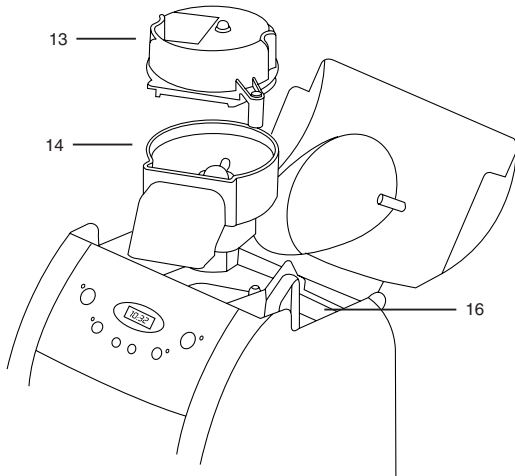
Le café est infusé et s'écoule à même le couvercle hermétique unique qui lui garde sa pleine saveur. Nul besoin d'ajuster ou de visser le couvercle.

10. Rangement du cordon (non illustré)

11. Pelle à mesurer et brosse (non illustrées)

12. Filtres en papier #4 pour le panier inclus (non illustrés)





13. Couvercle du panier-broyeur
Enlevez le couvercle en appuyant sur les rainures sur chaque côté du couvercle pour ajouter des graines de café. **Remarque : le couvercle doit être en place pour que l'appareil fonctionne.**

14. Panier-broyeur

15. Filtre à eau à charbon de bois (non illustré)

Le filtre à charbon élimine le chlore, le mauvais goût et les odeurs désagréables de l'eau du robinet.

16. Réservoir d'eau avec repère du niveau d'eau.

17. Pour le mettre sur le panier-filtre, enclenchez la flèche « FRONT » avec l'avant de la porte du panier à infusion. Pour le retirer, saisissez-le à l'endroit indiqué par la flèche marquée « LIFT ».

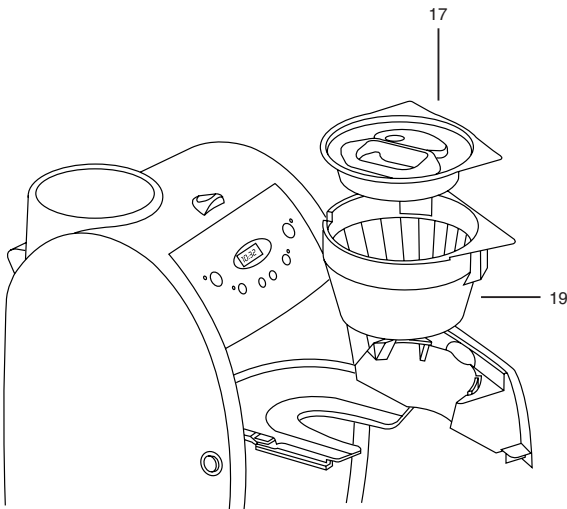
REMARQUE : LE COUVERCLE DOIT ÊTRE EN PLACE POUR QUE L'APPAREIL FONCTIONNE COMME IL FAUT. Le couvercle devient chaud pendant l'infusion du café. Enlevez-le avec précaution.

18. Filtre doré de style commercial Cuisinart (non illustré)

Un mot au sujet des filtres : Lorsque vous utilisez notre filtre permanent, assurez-vous de placer la poignée à l'avant de l'appareil. Sinon, elle peut nuire à l'écoulement du café dans le panier-filtre. **De plus, veuillez noter que notre filtre doré permanent laissera passer des graines de café moulu très fin dans la verseuse. Cela pourrait vous paraître comme des dépôts au fond de la verseuse.**

19. Panier-filtre

Pour tenir notre filtre permanent de style commercial ou les filtres de papier. **REMARQUE : LE PORTE-PANIER-FILTRE DOIT ÊTRE BIEN EN PLACE POUR QUE L'APPAREIL FONCTIONNE COMME IL FAUT.** S'enlève pour nettoyage facile.



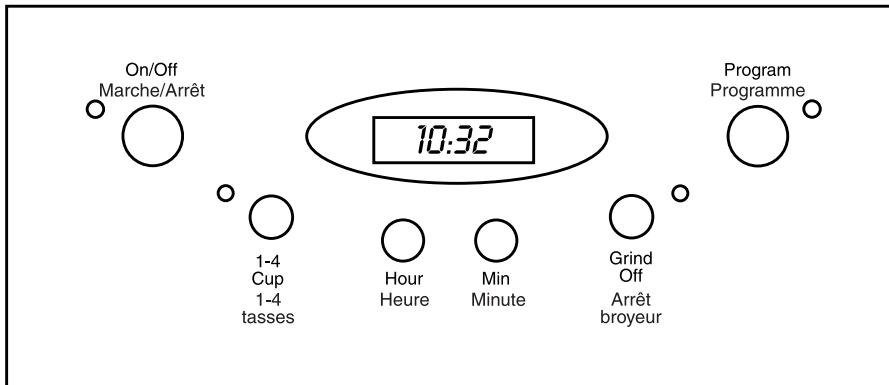


Tableau de commande

(Vous trouverez les directives de programmation détaillées aux pages 8 et 9)

1. Interrupteur marche / arrêt / auto-arrêt avec voyant DEL :

a. Bip sonore (non illustré) : le Moulin-cafétière automatique Grind & Brew Thermal^{MD} est doté d'un bip sonore qui sonne 5 fois au terme de l'infusion du café (le café peut continuer de s'écouler du filtre pendant quelques secondes de plus.) L'appareil s'éteint automatiquement de lui-même.

2. Réglage pour petite quantité avec voyant DEL :

Réglez la cafétière à « 1-4 tasses » pour améliorer l'extraction et obtenir un meilleur goût lorsque vous préparez moins de 5 tasses de café.

3. Réglage « Heures / Minutes » :

Appuyez sur la touche des heures ou des minutes pendant au moins 2 secondes pour enregistrer le mode de durée de temps.

4. Affichage du cadran :

Affiche l'heure du jour et le réglage programmé quand le bouton de programmation est abaissé.

5. Arrêt du broyeur avec voyant DEL :

S'utilise pour arrêter le broyeur quand vous utilisez du café pré-moulu.

6. Réglages avec voyant DEL :

Appuyez pour afficher le réglage ou pour régler au programme d'infusion.

PROGRAMMATION DE VOTRE CAFETIÈRE

1. Pour régler le cadran

Une fois le moulin-café branché, l'afficheur indiquera 12:00 jusqu'à ce que vous régliez la minuterie.

Fonction de réglage de la minuterie :

Pour régler l'heure, appuyez sur la touche des heures ou des minutes jusqu'à ce que le cadran se mette à clignoter (2 secondes environ). L'appareil est maintenant en mode de réglage de l'heure et vous pouvez utiliser la touche des heures ou des minutes pour régler l'heure. Tenez la touche abaissée pour faire défiler les chiffres ou appuyez et relâchez légèrement pour faire avancer un chiffre à la fois.

Lorsque vous faites défiler les chiffres, ils avanceront lentement d'abord puis ils accéléreront au rythme de trois à la seconde. Quand le chiffre est près de celui que vous désirez, relâchez la touche et appuyez pour faire avancer les chiffres un à la fois. Tenez compte du voyant « PM » pour régler l'heure après midi.

Sortie du Mode de réglage de l'heure :

Vous pouvez sortir du mode de réglage de l'heure de deux façons :

1. Appuyez sur n'importe quelle touche autre que celles des heures et des minutes. Ceci vous permettra de sortir du mode de réglage de l'heure et activera la fonction de la touche choisie.
2. Ne touchez à aucune touche pendant 5 secondes; le mode de réglage de l'heure sera automatiquement annulé.

2. Réglage de l'heure programmée :

Lorsque vous appuyez sur la touche « Programme », l'heure programmée courante est affichée (heure par défaut : 12:00)

Mode de réglage de l'heure de programmation :

Appuyez sur la touche « Programme » pendant 2 secondes jusqu'à ce que le voyant vert et l'afficheur à cristaux liquides commencent à clignoter. Ceci indique que vous êtes en mode de réglage de l'heure. Vous pouvez régler l'heure en appuyant sur les touches « Heure » et « Minute » pour faire défiler les chiffres. Tenez la touche abaissée pour faire défiler les chiffres ; ils avanceront lentement

d'abord puis ils accéléreront au rythme de trois à la seconde. Quand le chiffre est près de celui que vous désirez, relâchez la touche et appuyez pour faire avancer les chiffres un à la fois. La cafetière commencera l'infusion à l'heure programmée. Vous ne pouvez entrer dans le mode « Programme » durant le cycle « infusion ».

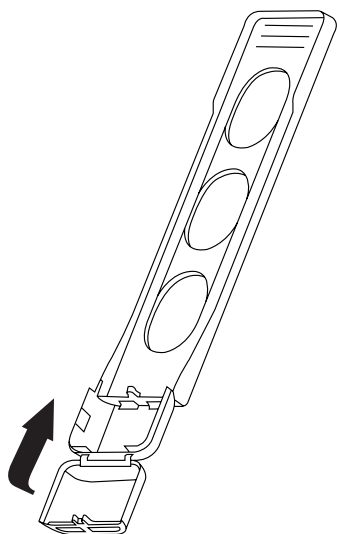
Pour sortir du mode de réglage de l'heure de programmation :

Vous pouvez sortir du mode de réglage de l'heure programmée d'une de trois façons suivantes :

1. Appuyez sur la touche « Programme ». La cafetière retournera à la position précédente. Si elle était en position « Arrêt », elle y retournera. Si elle était à « Programme », elle y retournera, et ainsi de suite. Il s'agit d'un dispositif de sécurité.
2. Appuyez sur n'importe quelle autre touche à l'exception des touches « Heure » et « Minute ». Ceci vous permettra de sortir du mode de réglage du temps de programmation et la fonction de la touche sur laquelle vous avez appuyée sera mise en marche.
3. Ne touchez à aucune touche pendant 5 secondes, le mode de réglage du temps de programmation sera automatiquement annulé et la fonction programmée sera activée.

Insérez le filtre à eau

- a. Retirez le filtre du sac en polyester et faites-le tremper dans l'eau froide du robinet pendant 15 minutes.
 - b. Retirez le porte-filtre à eau de la cafetière en le soulevant du réservoir à l'aide du pouce et de l'index.
 - c. Tenez la base d'une main et avec le pouce de l'autre main, pressez légèrement vers le bas et tirez vers vous. Le compartiment s'ouvrira d'un coup.
 - d. Placez le filtre dans le panier et fermez le panier; un bruit sec se fera entendre pour indiquer qu'il est bien en place.
- REMARQUE :** Vous devez insérer le filtre à charbon de bois avec soin car s'il est mal placé dans le panier, il risque de déchirer.
- e. Tenez le filtre sous l'eau courante du robinet pendant 10 secondes pour le nettoyer. Vous devez placer les ouvertures sur le côté de l'appareil directement sous le débit d'eau.
 - f. Laissez le filtre s'égoutter complètement.



- g. Remplacez le panier du filtre à eau dans le réservoir de la cafetière, poussez-le complètement jusqu'au bas de l'appareil, le long de la paroi du réservoir.

Remarque : Nous vous recommandons de changer le filtre à eau tous les 60 jours ou après 60 utilisations et plus souvent si l'eau de votre robinet est dure.

Vous pouvez acheter les filtres à eau de rechange dans les magasins ou en téléphonant au centre de service à la clientèle ou encore sur le site Web de Cuisinart.

POUR ARRÊTER LA FONCTION DE BROyage

Pour arrêter la fonction de broyage, appuyer sur la touche « Arrêt broyeur ». Un voyant DEL s'allumera. Appuyez alors sur la touche « Marche ».

POUR FAIRE DU CAFÉ

Avant d'utiliser votre Moulin-cafétière automatique Grind & Brew Thermal^{MD} de Cuisinart[®] pour la première fois, nous vous recommandons de le faire fonctionner avec de l'eau et un filtre de papier seulement. Ceci aura pour but d'enlever toute poussière ou résidu de fabrication.

1. Remplissez le réservoir à eau

Ouvrez le couvercle du réservoir en poussant sur le bouton de déclenchement. Versez la

quantité d'eau désirée, vous guidant sur l'indicateur d'eau à l'arrière du réservoir.

2. Ajoutez les graines

Soulevez le couvercle du panier-broyeur au moyen des deux encoches de chaque côté. Versez-y la quantité de graines voulue.

(Utilisez 1 pelle rase de graines entières par tasse. Pour faire 1 ou 4 tasses, utilisez 1 1/2 pelles rases par tasse. **La capacité maximale est de 14 pelles rases. Ne remplissez pas trop le broyeur, car il pourrait mal fonctionner ou la cafetière pourrait déborder.** Ceci est notre recette, mais vous pouvez l'ajuster au goût).

3. Pour ouvrir le couvercle du panier-filtre

Placez un filtre de papier No 4 ou un filtre doré de style commercial permanent dans le panier.

Remarque : Lorsque vous utilisez le filtre de Cuisinart, assurez-vous de placer la poignée du filtre à l'opposé du panier-broyeur, sinon elle pourrait nuire à l'écoulement du café moulu dans le panier-filtre. Remarquez également qu'un filtre permanent pourrait laisser s'échapper du café moulu dans la verseuse.

Le porte-filtre aide à tenir le panier-filtre ouvert, mais si vous utilisez un filtre en papier, assurez-vous qu'il soit complètement ouvert, qu'il touche les parois et le fond du panier.

Mettez le couvercle du panier-filtre en place et fermez-le.

4. Pour fermer le couvercle du réservoir

Appuyez sur le couvercle pour le verrouiller. Le Moulin-cafétière Grind & Brew Thermal^{MD} est doté d'un dispositif de sécurité. Le Moulin-cafétière Grind & Brew Thermal^{MD} ne fonctionnera pas si le couvercle de l'appareil est ouvert ou si vous avez omis de mettre le couvercle du broyeur. Comme les lames du broyeur tournent durant le fonctionnement, le Moulin-cafétière Grind & Brew Thermal^{MD} ne fonctionnera pas si le couvercle de l'appareil est ouvert. Si vous essayez de mettre l'appareil en marche lorsque le couvercle est ouvert, un bip sonore se fera entendre tant que vous n'aurez pas replacé la pièce qui manque et refermé le couvercle. L'appareil émettra un bip sonore si vous ouvrez le couvercle durant le cycle d'infusion.

De même, le broyeur s'arrêtera et le cycle d'infusion cessera si l'appareil est en train d'infuser. Vous pouvez repartir le cycle d'infusion en appuyant sur la touche « Marche ».

Ceci n'affectera pas les résultats de l'infusion. Si vous ne voulez pas que le broyeur soit de nouveau en marche, appuyez sur la touche « Arrêt broyeur » avant d'appuyer sur la touche « Marche ». Le bip sonore cessera immédiatement dès que le couvercle sera fermé et les cycles de broyage et d'infusion recommenceront du début.

5. Avant d'infuser le café

Enlevez le couvercle de la verseuse isolante en le tournant dans la direction de la flèche « unlock ». Préchauffez la verseuse en la rinçant sous le robinet d'eau chaude. **CECI A POUR EFFET DE GARDER LE CAFÉ PLUS CHAUD.**

Remettez le couvercle sur la verseuse. Pour le verrouiller en place, tournez-le dans la direction de la flèche « lock » jusqu'à ce qu'il soit serré sur la verseuse et que la flèche s'enligne avec le centre du bec-verseur. Ce faisant, vous êtes assuré que le couvercle est bien en place pour l'infusion et pour servir.

Assurez-vous d'avoir remis la verseuse en place sur la plaque chauffante et d'avoir placé un filtre dans le panier-filtre. Branchez le cordon dans une prise de courant. Les chiffres 12:00 paraîtront jusqu'à ce que vous régliez l'heure. Ceci n'affectera aucunement le fonctionnement de votre cafetière. Pour régler le cadran, voir la section « Programmation de votre cafetière » à la page 8.

6. Module de pouvoir

a) Broyage et infusion immédiats :

Appuyez sur la touche « Marche ». Le voyant s'allumera et le processus commencera.

b) Programmation du cycle d'infusion : Appuyez sur la touche « Programme ». Le voyant s'allumera et l'afficheur indiquera l'heure programmée tant que vous gardez la touche abaissée. L'afficheur indiquera l'heure dès que vous relâchez la touche. Pour programmer l'heure, voir « Programmation de votre Cafetière » à la page 8.

7. Réglage du nombre de tasses

Appuyez sur la touche de réglage de 1-4 tasses si vous voulez préparer quelques tasses de café seulement. Le café préparé en petites quantités dans les cafetières ordinaires sera moins chaud parce que l'élément chauffant n'a pas le temps nécessaire pour réchauffer une petite quantité comme il faut.

Avec le moulin-cafétière, le réglage de 1-4

tasses permet de réchauffer l'eau deux fois, pour ainsi dire, afin que les petites quantités de café soient aussi chaudes qu'une pleine cafetière.

Mode d'emploi : Lorsque vous préparez une quantité moindre, appuyez sur la touche 1-4 sur le tableau de commande après avoir mis l'appareil sous tension. Le voyant s'allumera. Remarquez que la touche 1-4 peut être réglée en tout temps.

8. Pendant et après l'infusion

La fonction Brew Pause^{MD} vous permet d'enlever la verseuse de la plaque chauffante durant le cycle d'infusion. L'infusion n'arrête pas durant ce temps; seul l'écoulement du café du panier cesse. **N'enlevez pas la verseuse pendant plus de 30 secondes, sinon le café pourrait déborder du panier-filtre.** Bien que nous vous offrions cette fonction, nous vous recommandons de ne pas verser le café avant la fin du cycle d'infusion car le café infusé au début du cycle a un goût bien différent de celui qui a complété le cycle d'infusion. Enlever une tasse de café durant le cycle d'infusion altère le goût du café infusé au complet.

Une fois l'infusion du café terminée, agitez-le dans la serveuse avant de le servir pour en retirer toute la saveur. Le café au fond de la verseuse est quelque peu plus fort que celui sur le dessus.

Une fois le cycle d'infusion complété, cinq bips sonores se feront entendre. Le café continuera de s'écouler du filtre pendant quelques secondes par après.

Une fois l'infusion terminée, l'appareil s'arrêtera automatiquement de lui-même. La verseuse isolante gardera le café chaud pendant des heures.

Le dessous de la verseuse reste chaud au toucher pendant plusieurs minutes suivant l'infusion. Soyez prudent.

Le moulin-cafétière permet l'infusion et l'écoulement du café à travers le couvercle dans la verseuse. Une fois l'infusion complétée, le couvercle se referme pour garder la fraîcheur et la température du café. Nul besoin de dévisser ou d'ajuster le couvercle pour servir le café.

POUR FAIRE DU CAFÉ AVEC DES GRAINES PRÉ-MOULUES

Suivez les étapes #1 de la section « Pour faire du café » à la page 9 puis poursuivez ainsi :

2. Ouvrez le couvercle du filtre et ajoutez le café moulu dans notre filtre permanent ou dans le panier-filtre en papier No 4. Notre suggestion de recette : Utilisez 1 pelle rase de café moulu par tasse. Ajustez cette mesure à votre goût.

REMARQUE : La capacité maximale pour le café moulu est de 16 pelles rases, que vous utilisiez un filtre de papier ou un filtre permanent. Si vous dépassez cette quantité, le café pourrait déborder si vous utilisez une mouture trop fine.

3. Mettez le couvercle du panier-filtre en place et refermez le couvercle du filtre.
4. Suivez les directives de 5 à 8 de la section « Pour faire du café ».
5. Appuyez sur la touche « Arrêt broyeur ». Lorsque cette fonction est en marche, un voyant DEL orange s'allume. Puis, appuyez sur la touche « Marche ».

NETTOYAGE ET ENTRETIEN

Mettez toujours la cafetière à la position « Arrêt » et débranchez-la avant de la nettoyer.

Ouvrez le couvercle du réservoir.* Retirez le couvercle du panier-broyeur en le saisissant par les encoches de chaque côté du couvercle. Puis, enlevez le panier-broyeur. Ouvrez la porte du panier filtre. Enlevez le couvercle du panier-filtre et le porte-panier-filtre.

Vous pouvez laver le panier-broyeur, son couvercle, le panier-filtre et le couvercle du panier-filtre dans de l'eau chaude savonneuse puis les rincer à fond ou vous pouvez les placer sur la grille supérieure du lave-vaisselle. Séchez toutes les pièces après chaque usage.

Ne mettez pas d'eau dans l'appareil lorsque le panier du broyeur a été enlevé. Essuyez la partie sous le panier-broyeur avec un linge humide. Si de l'eau pénètre dans le moteur du broyeur, il pourrait être endommagé et mal fonctionner.

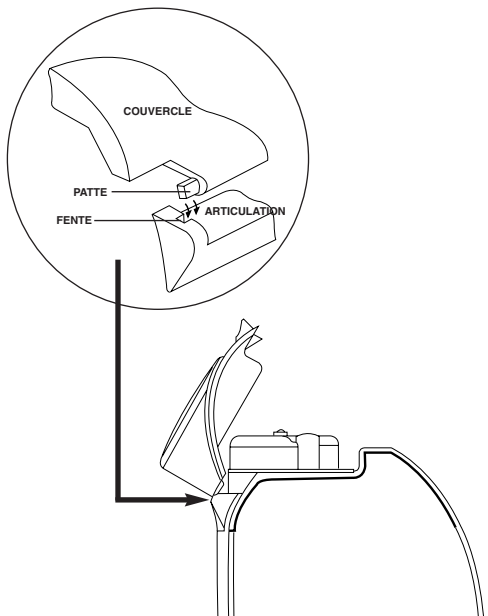
Une fois la cafetière propre, remettez les pièces dans l'ordre inverse.

Enlevez la verseuse de la base chauffante. Jetez le reste de café. Lavez la verseuse et son couvercle à l'eau chaude savonneuse et rincez à fond ou encore, mettez-les au lave-vaisselle sur la grille supérieure seulement.

N'utilisez pas de tampons en acier ou de détergents abrasifs sur aucune pièce de la cafetière.

N'immergez jamais la base dans l'eau ou tout autre liquide. Pour la nettoyer, il suffit de l'essuyer avec un linge humide propre et de la sécher avant de la ranger. Essuyez la plaque chauffante avec un linge humide propre. N'utilisez jamais d'agents de récurage ni de produits abrasifs pour nettoyer la base chauffante. N'essayez pas l'intérieur du réservoir avec un linge, car des fibres de coton ou de la charpie pourrait s'y déposer.

*Remarque : Le couvercle du réservoir s'enlève également pour faciliter le nettoyage. Ouvrez-le à un angle de 60 degrés et tirez-le doucement vers vous. Pour le remettre en place, procédez dans l'ordre inverse.



DÉTARTRAGE

Le détartrage consiste à débarrasser les dépôts de calcium laissés par l'eau sur les parties de métal de la cafetière.

Pour obtenir le meilleur rendement de votre cafetière, détartrez la base de temps à autre. La fréquence de détartrage dépend de la dureté de l'eau du robinet et du nombre de fois que vous utilisez votre cafetière.

Pour nettoyer, nous vous suggérons de remplir le réservoir d'eau à capacité, d'y ajouter un mélange d'un tiers (1/3) de vinaigre blanc et de deux-tiers (2/3) d'eau. Mettez la cafetière sous tension en appuyant sur le bouton « Marche ». Un cycle devrait suffire à nettoyer convenablement la cafetière. Une fois le cycle terminé et que le bip sonore se fait entendre, mettez la cafetière hors tension en appuyant sur le bouton « Arrêt ». Répétez, mais avec de l'eau fraîche froide seulement.

GARANTIE

GARANTIE LIMITÉE DE 3 ANS

Cette garantie annule et remplace toute garantie antérieure sur ce produit Cuisinart®. Cette garantie n'est offerte qu'aux consommateurs. Par consommateur, on entend tout propriétaire d'un produit Cuisinart® acheté aux fins d'un usage personnel, familial ou ménager. Cette garantie n'est pas offerte aux détaillants ni aux acheteurs ou propriétaires de commerces.

Nous garantissons ce produit Cuisinart® contre les vices de matière et de fabrication en usage ménager normal, pour une période de trois ans à compter de la date d'achat originale.

Aux fins de cette garantie, nous vous suggérons d'inscrire votre produit en ligne à www.cuisinart.ca en vue de faciliter la vérification de la date d'achat originale. Toutefois, si vous préférez ne pas vous inscrire en ligne, nous vous recommandons de retenir votre reçu de caisse original indiquant la date d'achat. Advenant que vous n'ayez pas de preuve de date d'achat,

la date d'achat sera alors la date de manufacture, aux fins de cette garantie.

Lorsque vous téléphonez à un de nos centres de service autorisés, assurez-vous de fournir le numéro de modèle de votre appareil de même que le code de la date de fabrication. Vous trouverez cette information sur le boîtier ou sous la base de votre appareil. Le numéro de modèle est inscrit ainsi : Model : DGB-600BCC. Le code de la date de fabrication comporte 4 ou 5 chiffres. Par exemple : 60630, désigne l'année, le mois et le jour (2006, juin, 30)

Advenant que votre produit Cuisinart® fasse défaut au cours de la période de garantie, nous le réparerons ou, si nous le jugeons nécessaire, le remplacerons sans frais. Pour obtenir un service au titre de la garantie, veuillez téléphoner à notre service après-vente au 1-800-472-7606 ou écrire à :

Cuisinart Canada
156, chemin Parkshore
Brampton, Ont. L6T 5M1

Afin d'accélérer le renvoi, nous vous prions de joindre un chèque ou mandat-poste de 10,00 \$ pour les frais d'administration. Assurez-vous d'inclure une adresse de renvoi, une description du défaut, le numéro de série du produit et tout autre renseignement pertinent au renvoi du produit.

REMARQUE : Pour plus de protection et assurer une meilleure manutention de tout produit Cuisinart® que vous retournez, nous vous recommandons de vous adresser à un service de livraison assuré et identifiable. La maison Cuisinart ne peut être tenue responsable des dommages encourus lors du transport ou des envois qui ne lui sont pas parvenus. La garantie ne couvre pas les produits perdus et/ou endommagés.

Votre produit Cuisinart® a été fabriqué selon des normes strictes de qualité et a été conçu pour n'être utilisé qu'avec des accessoires et des pièces de rechange autorisées par Cuisinart®.

Cette garantie fait expressément exclusion de tout vice ou dommage causé par des accessoires, pièces de rechange ou réparations effectuées par d'autres que ceux autorisés par Cuisinart. Cette garantie fait exclusion de tout dommage accessoire ou indirect.

AVANT DE RETOURNER VOTRE PRODUIT CUISINART®

Important : Si le produit défectueux doit être réparé ailleurs que dans un Centre de service autorisé par Cuisinart, veuillez rappeler au préposé de téléphoner à notre Centre de service client afin de s'assurer que le problème a été bien diagnostiqué, que le produit est réparé en utilisant les pièces approuvées et que le produit est encore couvert par la garantie.

Cuisinart

SAVOR THE GOOD LIFE®



Cafetières



Robots de cuisine



Fours-grilloirs



Mélangeurs



Batterie de cuisine



Yaourtières-Sorbetières

Découvrez la gamme complète d'appareils électroménagers haut de gamme Cuisinart® qui comprend les robots de pleine taille, mini robots, mélangeurs, grille-pain, cafetières et fours-grilloirs sur notre site

www.cuisinart.ca

©2006 Cuisinart
Cuisinart® est une marque de
commerce déposée de Cuisinart

Cuisinart Canada
156, chemin Parkshore
Brampton, Ontario L6T 5M1
Courriel centre au consommateur :
Consumer_Canada@Conair.com

Imprimé en Chine

02CC18108

U IB-4336B-CAN-A

Free Manuals Download Website

<http://myh66.com>

<http://usermanuals.us>

<http://www.somanuals.com>

<http://www.4manuals.cc>

<http://www.manual-lib.com>

<http://www.404manual.com>

<http://www.luxmanual.com>

<http://aubethermostatmanual.com>

Golf course search by state

<http://golfingnear.com>

Email search by domain

<http://emailbydomain.com>

Auto manuals search

<http://auto.somanuals.com>

TV manuals search

<http://tv.somanuals.com>