

# Cuisinart®

Instruction Booklet

使用说明书



**Cuisinart® 美膳雅4杯装电咖啡壶**  
**4-CUP CoffeeMaker**

**DCC-450CN Series**

为了您的安全与持续使用本产品，使用前请仔细阅读该说明书。

产品照片仅供参考，可能与实际产品不同。

Download from [www.Somanuals.com](http://www.Somanuals.com). All Manuals Search And Download.

---

# 重要安全须知

使用此电器时，请务必遵守基本安全预防措施，其中包括：

1. 请阅读全部说明。
2. 请勿触摸灼热的表面。使用把手和按钮进行操作。
3. 请勿将电源线、插头或设备底座浸没在水或其他液体中，以防触电。
4. 儿童使用或在儿童附近使用电器时，一定要密切监督。
5. 电器在不使用时及清洗之前，请先切断其电源。安装或拆卸部件之前以及清洗电器之前，请先让其冷却。
6. 电源线或插头损坏或电器发生故障，跌落或任何损坏时，切勿操作电器。请将电器送到就近的Cuisinart®特约的维修机构进行检查、修理或调节。
7. 请避免使用非Cuisinart®推荐使用的配件，以防导致伤害。
8. 请勿在室外使用。
9. 请勿将电源线挂在桌子或柜台边上或接触灼热表面。
10. 请勿将电器放在燃气炉或电炉上面或附近，或放在加热烤箱内。
11. 请先给水箱注水，再把电源线插入插座。断开电源时，先把开关推到“O”位置，再从插座上拔下插头。
12. 请勿将此电器用于其它用途。
13. 享用饮料之前，要把盖子牢固地盖在不锈钢壶上。
14. 请勿在冲煮过程中移开盖子，以防烫伤。
15. 该不锈钢壶为此类咖啡机专用，请勿作其它用途。
16. 请勿将热的咖啡壶放在潮湿或冷冻的表面上。
17. 如果不锈钢壶破裂或把手松弛，请停止使用。
18. 请勿使用清洁剂、钢丝球或其他研磨材料清理水壶或加热板。
19. 警告：为避免引致火灾或触电，切勿拆卸底座面板；当中并无任何可由用户维修的部件。维修工作只可由Cuisinart®的维修机构履行。
20. 切勿将机身放置于布料之上，以免影响咖啡机底下的空气流通。
21. 除非有专人提供督导及指示、并负责保证使用者的安全，否则本设备不适合在肢体、感官及神智方面有缺陷或经验和知识不足的人士（包括儿童）使用。
22. 切勿让儿童耍玩咖啡机。

**请妥善保管此说明  
仅限家庭使用**

---

## 特殊电线组件说明

本机配备短电源线，以降低较长电源线缠绕或绊人产生的危险。

本机可使用延长电线，请小心使用。如果使用延长电线，则电线的额定功率应至少与电器的额定功率同样大。请妥善放好长电线，以免其从柜台或桌面上垂下来被儿童拉掉或绊倒人。

## 操作须知

在下面任何一种或多种情况下，可能发生滤网内的水和/或咖啡堵塞与回冲现象：

使用研磨太细的咖啡粉；

使用两个或多个纸过滤器；

使用永久性滤网和纸过滤器或没有正确地从永久性滤网上清除咖啡残渣；或让咖啡残渣溢出过滤网。

注意：在冲煮过程中，即使水没有从滤网排出，也切勿打开滤网，因为高温水/咖啡会从滤网溅出，导致烫伤。如果在冲煮过程中水没有从滤网排出，则拔掉电源，等候10分钟后再打开检查滤网。

冲煮时及冲煮后，只能握住不锈钢壶的把手进行操作，因不锈钢壶身会很烫。

## 目录：

重要安全须知 .....	1
操作须知 .....	2
开箱说明 .....	3
对一杯完美咖啡的追求 .....	3
特点和优点 .....	4
煮咖啡 .....	4
清洗与维护 .....	5
除垢 .....	5
保修 .....	6

## 开箱说明

1. 将箱子放在宽敞、牢固平坦的表面上，自然平放箱子。
2. 取出说明书和其他印刷品。
3. 从箱子中移出器具。
4. 取出纸板，再从咖啡机中取出不锈钢壶。
5. 去除剩余包装材料，小心取出咖啡机。

我们建议您保留所有包装材料，以便将来所需。

请把所有塑料袋放在远离儿童的地方。

## 对一杯完美咖啡的追求

### 成分1：水

咖啡98%是水。

水质和您的咖啡的质量一样重要。

如果水龙头里的水口感不佳，那么在您的咖啡里同样会感觉不好。

### 成分2：咖啡

尽管咖啡98%是水，但是所有的味道都来自咖啡豆。为了达到您能在咖啡吧里享用的同样棒的口味，您需要使用同样质量的咖啡。如果您选择自己磨咖啡豆，要买新鲜的整包的咖啡豆。一次只买两周的量，因为一旦豆子破裂，其味道就很快下降了。

### 成分3：研磨

研磨对于味道的正确提取至关重要。如果研磨得太细，将导致提取过度以及苦味。研磨太细也可能会堵塞过滤网。如果研磨得太粗，水将过快流过，不能最大限度地提取味道。当您自己研磨咖啡豆的时候，我们推荐进行中等细度的研磨。

### 成分4：比例

咖啡太浓或太淡都总是令人失望的。遵照“煮咖啡”（第5页）的说明中所推荐的咖啡粉的比例，然后对量进行调整以适合您的口味。

# 特点和优点

这种小型Cuisinart® 4杯装咖啡机包括Brew Pause等实用特点，所以在冲煮过程完成前您可随意品尝一下咖啡。不锈钢壶带有一个耐热的科学设计把手和便于倾倒的自由滴落瓶嘴。新设计的滴漏装置，便于水均匀分布和冲煮风味更佳的咖啡。

## 1. 容器盖

向后翻，便于注水。

## 2. 水箱

## 3. 滤网（未显示）

装有一个#2纸过滤器或永久性过滤器。

## 4. 滤网支架

## 5. 滴落装置（未显示）

用于将水均匀滴落到咖啡上，降低通过咖啡粉的热量流失。

## 6. Brew Pause防滴漏装置

如果中途想倒出一些咖啡时，可以暂停咖啡从滤网流出，以便从加热板上取下水瓶（最长时间30秒）。由于在冲煮过程中咖啡的提取率会变化，我们建议您等冲煮完成后再倒出咖啡。

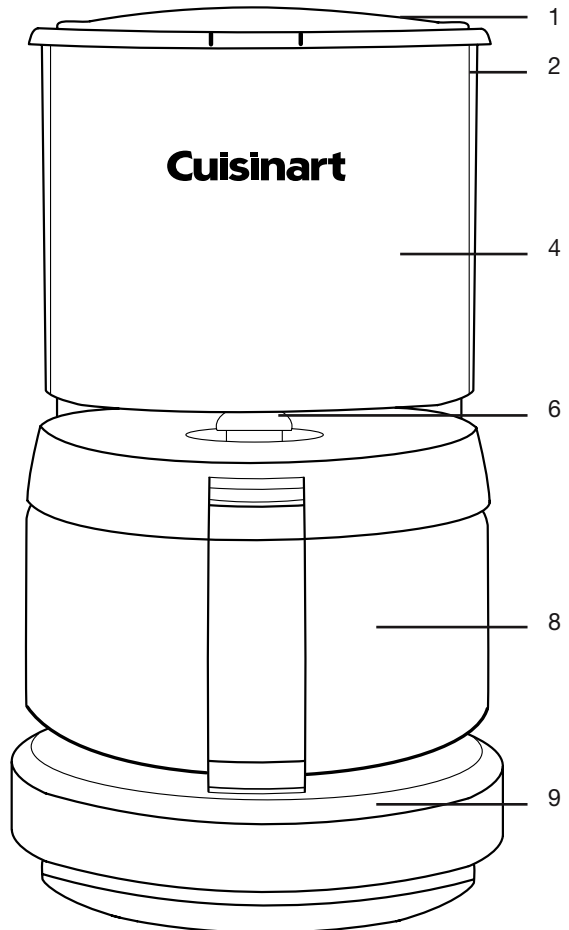
## 7. 带“开”指示灯的“I/O”开关（未显示）

## 8. 不锈钢壶

不锈钢瓶根据人体工程学原理设计的把手和铰链罩，使倾注安全容易。

## 9. 保温

耐刮擦，带不粘涂层。



# 煮咖啡

在用新Cuisinart® 4杯装咖啡机煮第一壶咖啡之前，我们建议您只用水和滤纸操作咖啡壶一次。这样做可去除制造过程中残留的灰尘或残留物。

## 1. 加水

从保温板上取下不锈钢壶。打开瓶盖，注入冷水，水量恰好超过所煮咖啡的量。盖好壶盖。提起水箱盖，把水加入水箱。将不锈钢壶放回到保温板上。

## 2. 添加咖啡粉

抓住把手向上提，取下滤网，将其放在台面上。插入一个2号纸过滤器或永久过滤器。确保纸过滤器完全打开，并全部插入滤网。事先折迭与展平纸过滤器的边缘有助于操作。添加足量磨碎咖啡粉，对应所需冲煮的杯数。许多咖啡屋和美国专业咖啡协会建议每杯用2汤匙咖啡粉和6盎司(约177毫升)水。有些咖啡生产商建议1杯咖啡配1汤匙咖啡粉。我们建议每杯用1~1 1/2汤匙，但您可以根据口味加减分量。将滤网放回滤网支架上，盖好水箱盖，确保它牢固关闭到位。

## 冲煮咖啡前

确保不锈钢壶放回保温板原位。将电源线插入电源插座。

## 3. 开机

将摇臂开关打到“1”位置，指示灯亮。

## 4. 冲煮时与冲煮后

**Brew Pause**功能允许您在冲煮期间将水壶从保温板上取下来；此时冲煮过程不停止；只有滤网上的咖啡停止流出。

取下不锈钢壶的时间不要超过30秒，否则咖啡可能溢出滤网。虽然我们提供这个功能，但我们不建议您在冲煮完成之前倒出咖啡，因为冲煮前期的咖啡滋味层次与后期的风味差别很大。中途倒出咖啡会改变咖啡煮好后的风味。

注意：冲煮期间与冲煮后，不锈钢壶会很烫，请通过把手来操作不锈钢瓶。

咖啡煮好后，享用之前请先搅拌，以融合各种味道。不锈钢壶底部的咖啡浓度稍大于顶部的咖啡。冲煮后，保温板使咖啡保温在80–86C。如果在20分钟内不饮用咖啡，我们建议您将咖啡倒入经热水预热过的保温壶内。

# 清洗与维护

每次使用后请全面清洗与擦干部件。清洗之前，请确保关闭咖啡壶，并从电源插座上拔掉插头。

提起水箱盖，取下并扔掉滤纸和咖啡粉。可用肥皂水洗滤网，然后彻底冲洗，或在洗碗机的上架内清洗。使用后擦干所有部件。取下滤网后，咖啡壶内不要放水。用湿布擦拭滤网下面的区域。用温和的肥皂水洗涤不锈钢瓶和盖子，然后彻底冲洗。请勿将擦洗工具或腐蚀性洗涤剂用于咖啡壶任何部件。

切勿将器具底座放在水或其他液体内。要洗涤底座，直接用干净的湿布擦拭，擦干后再干燥存放。用干净的湿布擦拭保温板。切勿使用粗糙的研磨材料或洗涤剂清洗保温板。不要用布擦干不锈钢罐的内侧，否则可能遗留纤维屑。

# 除垢

除垢是指除去在壶内部金属部件上形成的钙沉淀物。

要使您的Cuisinart®咖啡机获得最佳性能，请定时为您的器具除垢。除垢频率取决于自来水的硬度和使用壶的频率。

要溶解这些钙化沉淀物或水垢。则在壶内注入1/3的白醋和2/3的水，按下开关，再把醋煮沸，则可全面清除钙化沉淀物。除

垢过程完成后，关闭咖啡机，用清水冲洗数次。

## 保修

### 三年有限保修

在您购买日期起三年内，在正常使用的情况下，如产品的质量或零件有任何问题，美膳雅顾客服务中心将会为您免费提供维修或换货服务。

注意：此项保修不包括一切因错误使用、不依指示处理产品及意外损毁、遗失零件及经自行改造的产品，美康雅公司有权在不预先通知的情况下更改条款和说明书。如需获得此保修服务，请在购买后的一个月內，通过以下任何一种方式进行登记。

### 保修期之后

请致电使用说明书中所列出您所在地区的美膳雅顾客服务中心，询问维修服务详情，或是电邮至email\_asia@conair.com，附上您的名字，电话号码和电邮地址，及说明产品问题的详细情况。

#### 在线登记

请登入[www.conair-asia.com](http://www.conair-asia.com)登记。

#### 邮寄登记

请在购买后一个月內，剪下并填写产品保修卡，并连同购买凭证的复印件，寄到使用说明书中所列出的任何一个美膳雅顾客服务中心。

## 美膳雅顾客服务中心 美康雅国际贸易有限公司

### 深圳总办事处

地址：深圳市福田区农林路鑫竹苑A座202室

电话：(86) 0755-8302 2778

传真：(86) 0755-8302 2558

免费热线号码：800-830-6364

电邮：email\_asia@conair.com

### 广州办事处

地址：广州市东风西路255号2楼C室

电话：(86) 020-8360 4071

传真：(86) 020-8351 7779

### 上海办事处

地址：上海市宁海东路200号申鑫大厦24楼04室

电话：(86) 021-5150 9048

传真：(86) 021-5150 9049

免费热线电话：800-830-6364

电邮：email\_asia@conair.com

网址：[www.cuisinart.com.hk](http://www.cuisinart.com.hk)

制造商：美康雅远东有限公司

地址：香港九龙观塘观塘道388号创纪之城渣打中心35楼

电话：(852) 2751 4604

生产商：捷达电器制品厂

地址：广东省东莞市清溪镇第三工业区荔横乡梁头围村荔园

---

# IMPORTANT SAFEGUARDS

When using electrical appliances, basic safety precautions should always be followed to reduce the risk of fire, electric shock and/or injury to persons, including the following:

1. **READ ALL INSTRUCTIONS**
2. Do not touch hot surfaces. Use handles and knobs.
3. To protect against electric shock, do not place cord, plug, or base unit in water or other liquids.
4. Close supervision is necessary when any appliance is used by or near children.
5. Always unplug from outlet when not in use and before cleaning. Allow to cool before putting on or taking off parts and before cleaning the appliance.
6. Do not operate any appliance with a damaged cord or plug or after the appliance malfunctions or has been dropped or damaged in any manner. Return appliance to the nearest Cuisinart® Repair Center for examination, repair, and electrical or mechanical adjustment.
7. The use of accessory attachments not recommended by Cuisinart® may cause injuries.
8. Do not use outdoors.
9. Do not let cord hang over edge of table or counter, or touch hot surface.
10. Do not place on or near a hot gas or electric burner, or in a heated oven.
11. Always fill water reservoir first, then plug cord into the wall outlet. To disconnect, push the rocker switch to Off, then remove plug from wall outlet.
12. Do not use appliance for other than intended use.
13. Snap lid securely onto carafe before serving any beverages.
14. Scalding may occur if the lid is removed during the brewing cycle.
15. The carafe is designed for use with this appliance only. It must never be used on the range top.

16. Do not set a hot carafe on a wet or cold surface.
17. Do not use a cracked carafe or a carafe having a loose or weakened handle.
18. Do not clean carafe or warming plate with cleansers, steel wool pads, or other abrasive materials.
19. **WARNING: TO REDUCE THE RISK OF FIRE OR ELECTRIC SHOCK, DO NOT REMOVE THE BASE PANEL. NO USER-SERVICEABLE PARTS ARE INSIDE. REPAIR SHOULD BE DONE BY AUTHORIZED PERSONNEL ONLY.**
20. Do not place cloth or otherwise restrict air-flow beneath coffeemaker.
21. This unit is not intended for use by people (including children) with reduced physical, sensory or mental capabilities, or by persons who lack experience or knowledge, unless they are supervised or have been given instructions beforehand on the use of the unit by a person responsible for their safety.
22. Children should be supervised to make sure they do not treat the unit like a toy.

## SAVE THESE INSTRUCTIONS FOR HOUSEHOLD USE ONLY

### SPECIAL CORD SET INSTRUCTIONS

A short power-supply cord is provided to reduce the risks resulting from becoming entangled in or tripping over a longer cord.

Longer extension cords may be used if care is exercised in their use.

If a long extension cord is used, the marked electrical rating of the extension cord must be at least as great as the electrical rating of the



appliance, and the longer cord should be arranged so that it will not drape over the countertop or table top where it can be pulled on by children or tripped over.

**Caution:** Never open the filter basket during the brewing cycle, even if no water is draining from the filter basket, since extremely hot water/coffee can spill out from the filter basket and cause injury. If water/coffee is not draining from the filter basket during the brewing cycle, unplug the unit and wait 10 minutes before opening and checking the filter basket.

**Caution:** During and after brewing, hold carafe by handle only. Stainless steel will be hot.

## CONTENTS

Important Safeguards . . . . .	7
Important Unpacking Instructions . . . . .	8
The Quest for the Perfect Cup of Coffee . . . . .	8
Features and Benefits . . . . .	9
Making Coffee . . . . .	10
Cleaning and Maintenance . . . . .	10
Decalcification . . . . .	10
Warranty . . . . .	11

## IMPORTANT UNPACKING INSTRUCTIONS

1. Place the box on a large, sturdy, flat surface. Lay the box on its side.
2. Remove the instruction book and any other literature.
3. Slide the packaged unit out of the box.
4. Remove the cardboard insert. Now remove the carafe from the coffee maker.
5. Carefully lift the coffeemaker from the remaining inserts.

We suggest you save all the packing materials in the event that future shipping of the machine is needed.

Keep all plastic bags away from children.

## THE QUEST FOR THE PERFECT CUP OF COFFEE

### ELEMENT 1: WATER

Coffee is 98% water. The quality of that water is as important as the quality of your coffee. If water doesn't taste good from the tap, it won't taste good in your coffee.

### ELEMENT 2: COFFEE

While coffee is 98% water, all of the flavor comes from the beans. To achieve the same great taste you enjoy at a coffee bar, you need to use the same quality of coffee. If you choose to grind your own beans, buy them fresh and whole. Buy only about a two-week supply at a time, because once the bean is broken, its flavor degrades quickly.

### ELEMENT 3: GRIND

The grind is critical for proper flavor extraction. If the grind is too fine, over-extraction and bitterness will result. Too fine a grind may also clog the filter. If grind is too coarse, the water will pass through too quickly and the maximum flavor will not be extracted. When grinding your own beans, we recommend a medium-fine grind.

### ELEMENT 4: PROPORTION

The cups on the Cuisinart® coffeemaker are 5 ounces(148 mL). Add the desired amount of ground coffee, corresponding to the number of cups being brewed. We recommend 1 scoop (1 tablespoon) of ground coffee per cup, but use more or less to suit your taste.

---

# FEATURES AND BENEFITS

**1. Reservoir Cover**

Flips back for easy filling.

**2. Water Reservoir**

**3. Filter Basket** (not shown)

Holds a #2 paper filter or a permanent filter.

**4. Filter Basket Holder**

**5. Showerhead** (not shown)

Distributes water evenly over coffee, reducing temperature loss as water passes through grounds.

**6. Brew Pause**

Stops flow of coffee from basket when carafe is removed (30 seconds max) from heater plate, so a cup can be poured in mid-brew. Since the extraction rate varies during the brew cycle, we recommend allowing the brewing cycle to finish before pouring the coffee.

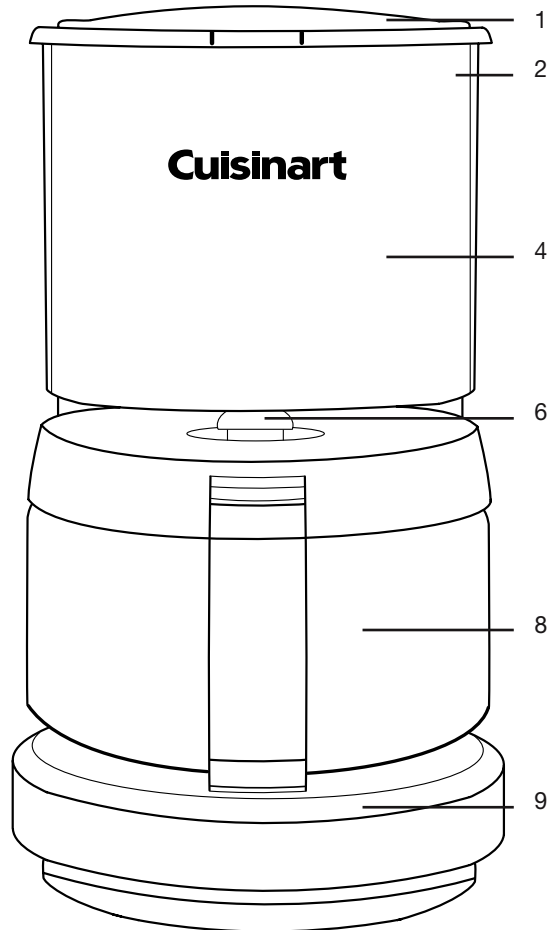
**7. On/Off Power Button** (not shown)

**8. Stainless Steel Carafe**

The carafe has an ergonomic handle and knuckle guard for safe and easy pouring.

**9. Warming Plate**

Scratch resistant with black, non-stick coating.



# MAKING COFFEE

## BEFORE FIRST USE

**We recommend flushing out your coffeemaker before first use.**

Fill the reservoir with cold water and follow the directions for Brewing Coffee. **DO NOT ADD COFFEE!**

Once the system flush is complete, your coffeemaker is ready to brew so you can enjoy Cuisinart at its best!

### 1. Fill the water reservoir:

Lift the water reservoir lid and pour the desired amount of water using the stair-step cup measure inside the water reservoir.

### 2. Add the ground coffee:

Remove the filter basket by grasping the handle and lifting straight up, and place it on the countertop. Insert a #2 paper filter or permanent filter. Be sure that the paper filter is completely open and fully inserted into the basket. It may help to fold and flatten the seams of a paper filter beforehand. Add the desired amount of ground coffee, corresponding to the number of cups being brewed. Add 1 level scoop (1 tablespoon) of ground coffee per cup. Adjust the amount according to taste.

Replace the filter basket in the filter basket holder and flip the water reservoir lid closed. Be sure that it closes securely in place.

### Before brewing coffee:

Make sure you have replaced the carafe into its position on the warming plate. Plug the cord into an electrical outlet.

### 3. Power unit:

Press the power button on the side of the unit to power on. The indicator will illuminate.

### 4. During and after brewing:

The Brew Pause feature allows you to remove the carafe from the warming plate during mid brew. The brewing process does not stop during this period, only the flow of coffee from the basket stops. Do not remove the carafe for longer than 30 seconds or the coffee may overflow the basket. While we offer this feature, we do not recommend you pour the coffee before the cycle has reached completion, since the coffee brewed at the beginning of the cycle has a flavor profile that is very different from the flavor at the end of the cycle. Removing a cup during the brewing cycle will alter the flavor of the finished pot.

**Caution: During and after brewing, hold carafe by handle only. Stainless steel will be hot.**

Once the coffee has finished brewing, stir it before serving to blend the flavors. The coffee at the bottom of the carafe will be somewhat stronger than the coffee at the top.

After brewing, the warming plate will keep the coffee at about 80~86°C. We recommend transferring the coffee to a thermal carafe preheated with hot water if the coffee is not going to be consumed within 20 minutes.

## CLEANING AND MAINTENANCE

### COMPLETELY CLEAN AND DRY ALL PARTS AFTER EVERY USE.

Always turn the coffeemaker off and remove the plug from the electrical outlet before cleaning it.

Lift up the reservoir cover. Remove and discard the paper filter and ground coffee. The filter basket can be washed in warm soapy water and rinsed thoroughly, or cleaned in the upper rack of the dishwasher. Dry all parts after use.

Do not put any water in the unit once the filter basket has been removed. Wipe the area under the filter basket with a damp cloth.

Remove the carafe from the warming plate. Discard any remaining coffee. The carafe and lid should be washed in warm, soapy water and rinsed thoroughly.

Do not use any scouring agents or harsh cleansers on any part of the coffeemaker.

**Never immerse base unit in water or other liquids.** To clean base, simply wipe with a clean, damp cloth and dry before storing. Wipe warming plate with a clean, damp cloth. Never use rough, abrasive materials or cleansers to clean the warming plate. Do not dry the inside of the water reservoir with a cloth, as lint may remain.

## DECALCIFICATION

Decalcification refers to removing the calcium deposits that form over time on the metal parts of the coffeemaker.

For best performance from your Cuisinart® coffeemaker, decalcify the base unit from time to time. The frequency depends upon the hardness of your tap water and how often you use the coffeemaker.

---

To decalcify, fill the water reservoir to capacity with a mixture of  $\frac{1}{4}$  white vinegar and  $\frac{3}{4}$  water. Turn the coffeemaker on by pressing the Power button. One cycle should be sufficient to adequately clean the coffeemaker. Turn the coffeemaker off by pressing the Power button and then run one cycle of fresh cold water through the unit before using the unit again to brew coffee.

## **WARRANTY LIMITED THREE-YEAR WARRANTY**

This Cuisinart Appliance is guaranteed for consumer use for three year. Please fill in and return the Warranty Registration as instructed or log into [www.conair-asia.com](http://www.conair-asia.com) to register. This guarantee is no longer valid in case of alteration or repair by any unauthorized persons and only covers defects under normal use from the date of purchase. If your product does not perform satisfactorily because of defects in materials or manufacture, it will be repaired or replaced under guarantee through the Cuisinart Service Centre. Cuisinart reserves the right to amend terms and specifications without prior notice. To obtain service under this warranty, please send in registration within one month of purchase through either one of the following ways.

### **ON-LINE REGISTRATION**

Please log on to [www.conair-asia.com](http://www.conair-asia.com).

### **BY MAIL**

Please complete and send the warranty card and the copy of purchase receipt or any other proof of purchase to one of the Cuisinart Service Centre listed in this Instruction Booklet within one month.

### **OUT OF GUARANTEE**

Call Cuisinart Service Centre in your region as listed in this Instruction Booklet for details of repair service. Or email to us at [email\\_asia@conair.com](mailto:email_asia@conair.com) with your name, contact telephone number and email address and details of the fault.

## **CUISINART SERVICE CENTRE**

Conair International Trading Ltd.

### **Shenzhen Headquarter:**

Room 202 A Building, Xin Zhu Yuan, Nong Lin Road, Futian District, Shenzhen. China.

Tel: (86) 0755-8302 2778

Fax: (86) 0755-8302 2558

### **Guangzhou Liaison Office**

Unit C, 2/F., 255 Dong Feng Road (W)

Guangzhou, china Tel: (86) 020-020-8360 4071

Fax: (86) 020-8351 7779

### **Shanghai Liaison Office**

Room 2404, ShenXin Building, No.200 East Ning Hai Road, Shanghai, China.

Tel: (86) 021-5150 9048

Fax: (86) 021-5150 9049

Toll Free Customer Service Hotline:

800-830-6364

E-mail: [email\\_asia@conair.com](mailto:email_asia@conair.com)

Website: [www.cuisinart.com.hk](http://www.cuisinart.com.hk)

**Manufacturer:** Conair Far East Ltd.

Address: 35/F., Standard Chartered Tower, Millennium City, 388 Kwun Tong Road, Kwun Tong, Kowloon, Hong Kong

Tel: (852) 2751 4604

**Producer:** GHITA INDUSTRIAL LIMITED

Address: Qingxi town, Dongguan city, Guangdong province, China.



## 产品保修卡

尊敬的客户，

感谢您购买美膳雅产品。本保修卡为享有保修服务的重要凭证，请认真填写。谢谢！

自您购买之日起的三年内，在正常使用的情况下，如产品的质量或零件有任何问题，美膳雅顾客服务中心将会为您免费提供维修或更换服务。如需获得此项保修服务，请在购买后的一个月内，填写此产品保修卡，并连同购买凭证的复印件，寄到产品说明书中所列出的任何一个美膳雅顾客服务中心。

## 请填写以下资料

姓名：\_\_\_\_\_ 先生/小姐/女士

邮政编码：\_\_\_\_\_

地址：\_\_\_\_\_ 省 \_\_\_\_\_ 市 \_\_\_\_\_

电话：\_\_\_\_\_ 电子邮件：\_\_\_\_\_

产品名称：\_\_\_\_\_

产品型号：\_\_\_\_\_

购买商店名称：\_\_\_\_\_

购买日期：\_\_\_\_\_

## 保修条款

- 您的美膳雅系列产品按照严格的规范制造，使用非授权的零配件、更换或维修造成的故障或损坏不在本保修范围内。
- 本保修不包括事故、误用、运输或非日常家庭使用造成的任何损坏。
- 本保修不包括所有意外或间接损坏。
- 除了寄回保修卡外，消费者还需要保留购买凭证原件，才能获得保修权益。如果您没有最初购买日期的证据，则本保修卡中的购买日期为生产日期。



## Warranty Card

Dear Consumer,

Thank you for your purchase of CUISINART products. This warranty card is an important proof for warranty service. Please complete it earnestly. Thanks!

We warranty that under normal use, if the quality or parts of your CUISINART product should prove to be defective within 3 years from your purchase date, our CUISINART Consumer Service Center will repair or replace it at our option, without charge to you. To obtain warranty service, please complete and send the warranty card and purchase proof copies to any of our CUISINART Consumer Service Center listed in the Instruction Book WITHIN ONE MONTH.

### Please fill in the following information:

Name : Mr. / Miss / Ms. \_\_\_\_\_ Zip Code : \_\_\_\_\_

Address : \_\_\_\_\_

Tel : \_\_\_\_\_ Email : \_\_\_\_\_

Product Name: \_\_\_\_\_

Model NO.: \_\_\_\_\_

Store of Purchase: \_\_\_\_\_

Purchase Date: \_\_\_\_\_

### Warranty Terms:

- Your CUISINART product has been manufactured to the strictest specifications and has been designed for use with authorized CUISINART accessories and replacement parts. This warranty expressly excludes any defects or damages caused by accessories, replacement parts or repair service other than those which have been authorized by CUISINART.
- This warranty does not cover any damage caused by accident, misuse, shipment or other than ordinary household use.
- This warranty excludes all incidental and consequential damages.
- In addition to return of warranty card, the consumer has to maintain the original proof of purchase in order to obtain the warranty benefits. In the event that you do not have proof of purchase date, the purchase date for purposes of this warranty will be the date of manufacture.



# Cuisinart®

SAVOR THE GOOD LIFE®



Coffeemakers



Griddler



Ovens



Blenders



Cookware



Kettle

Cuisinart offers an extensive assortment of top quality products to make life in the kitchen easier than ever. Try some of our other countertop appliances and cookware, and Savor the Good Life.

Cuisinart®提供各种优质产品，使厨房生活比以往更加容易。请试用我们的其他厨具和炊具，为美好生活增添滋味。

**[www.cuisinart.com.hk](http://www.cuisinart.com.hk)**



## Free Manuals Download Website

<http://myh66.com>

<http://usermanuals.us>

<http://www.somanuals.com>

<http://www.4manuals.cc>

<http://www.manual-lib.com>

<http://www.404manual.com>

<http://www.luxmanual.com>

<http://aubethermostatmanual.com>

Golf course search by state

<http://golfingnear.com>

Email search by domain

<http://emailbydomain.com>

Auto manuals search

<http://auto.somanuals.com>

TV manuals search

<http://tv.somanuals.com>