

Cuisinart®



Programmable Filter Brew™ 12-Cup Coffeemaker

DCC-1000

IMPORTANT SAFEGUARDS

When using electrical appliances, basic safety precautions should always be followed to reduce the risk of fire, electric shock and/or injury to persons, including the following:

- 1. READ ALL INSTRUCTIONS**
2. Do not touch hot surfaces. Use handles and knobs.
3. To protect against electric shock, do not place cord, plug, or base unit in water or other liquids.
4. Close supervision is necessary when any appliance is used by or near children.
5. **Always unplug from outlet when not in use and before cleaning.** Allow to cool before putting on or taking off parts and before cleaning the appliance.
6. Do not operate any appliance with a damaged cord or plug or after the appliance malfunctions or has been dropped or damaged in any manner. Return appliance to the nearest Cuisinart Repair Center for examination, repair, and electrical or mechanical adjustment.
7. The use of accessory attachments not recommended by Cuisinart may cause injuries.
8. Do not use outdoors.
9. Do not let cord hang over edge of table or counter, or touch hot surface.
10. Do not place on or near a hot gas or electric burner, or in a heated oven.
11. Always fill water reservoir first, then plug cord into the wall outlet. To disconnect, turn the function knob to "Off", then remove plug from wall outlet.
12. Do not use appliance for other than intended use.
13. Snap lid securely onto carafe before serving any beverages.
14. Scalding may occur if the lid is removed during the brewing cycle.
15. The glass carafe is designed for use with these appliances only. It must never be used on the range top.
16. Do not set a hot carafe on a wet or cold surface.
17. Do not use cracked carafe or a carafe having a loose or weakened handle.
18. Do not clean carafe or warming plate with cleansers, steel wool pads, or other abrasive materials.
19. **WARNING: TO REDUCE THE RISK OF FIRE OR ELECTRIC SHOCK, DO NOT REMOVE THE BASE PANEL. NO USER SERVICEABLE PARTS ARE INSIDE. REPAIR SHOULD BE DONE ONLY BY AUTHORIZED PERSONNEL.**
20. Avoid contact with moving parts.

SAVE THESE INSTRUCTIONS

FOR HOUSEHOLD USE ONLY

WARNING: RISK OF FIRE OR ELECTRIC SHOCK



The lightning flash with arrowhead symbol, within an equilateral triangle, is intended to alert the user to the presence of uninsulated "dangerous voltage" within the product's enclosure that may be of sufficient magnitude to constitute a risk of fire or electric shock to persons.



The exclamation point within an equilateral triangle is intended to alert the user to the presence of important operating and maintenance (servicing) instructions in the literature accompanying the appliance.

SPECIAL CORD SET INSTRUCTIONS

A short power-supply cord is provided to reduce the risks resulting from becoming entangled in or tripping over a longer cord.

Longer extension cords are available and may be used if care is exercised in their use.

If a long extension cord is used, the marked electrical rating of the extension cord must be at least as great as the electrical rating of the appliance, and the longer cord should be arranged so that it will not drape over the countertop or table top, where it can be pulled on by children or tripped over.

NOTICE

This appliance has a polarized plug (one blade is wider than the other.) To reduce the risk of electric shock, this plug will fit in a polarized outlet only one way. If the plug does not fit fully in the outlet, reverse the plug. If it still does not fit, contact a qualified electrician. Do not modify the plug in any way.

OPERATING NOTICE

Clogging and backing up of water and/or coffee in the filter basket can occur under any or a combination of any of the following conditions: The use of too finely ground coffee, using two or more paper filters, using the gold tone filter in conjunction with a paper filter or not properly cleaning coffee grounds from the gold tone filter, or allowing coffee grounds to spill over the filter.

Caution: Never open the top cover during the brewing cycle, even if no water is draining from the filter basket, since extremely hot water/coffee can spill out from the spreader and cause injury. If water/coffee is not draining from the filter basket during the brewing cycle, unplug the unit and wait 10 minutes before opening the top cover and checking the filter basket.

IMPORTANT UNPACKING INSTRUCTIONS

1. Place the box on a large, sturdy flat surface.
2. Remove the instruction book and any other literature.
3. Turn the box so that the back side of the coffeemaker is down and slide the coffeemaker from the box.
4. After the coffeemaker has been removed, place the box out of the way and lift off the top two polyfoam inserts.
5. Remove the cardboard insert between the carafe lid and Brew Pause mechanism by sliding it out of the unit.
6. Grasp the carafe by its handle, remove it from the heater plate and remove the polybag.
7. Lift the coffeemaker off the remaining two inserts and remove the polybag covering the coffeemaker.

We suggest you save all packing materials in the event that future shipping of the machine is needed. Keep all plastic bags away from children.



TABLE OF CONTENTS

Important Safeguards	Page 1
Unpacking Instructions	Page 2
Introduction	Page 3
The Quest for the Perfect Cup of Coffee	Page 3
Features and Benefits	Page 4
Control Panel	Page 6
Programming Your Coffeemaker	Page 6
Setting the Time	Page 6
Programming the Auto On	Page 6
Programming the Variable Auto Off	Page 7
Making Coffee	Page 7
Cleaning and Maintenance	Page 8
Decalcification of Metal Parts	Page 8
Replacing the Water Filter	Page 8
Warranty	Page 9

INTRODUCTION

Congratulations on your purchase of the Cuisinart® Programmable Filter Brew™ 12-cup Coffeemaker. This model comes with a charcoal water filter. The water filter ensures great tasting coffee without all of the impurities. This Programmable Filter Brew™ 12-cup Coffeemaker also comes with advanced features such as a 24-hour programmable digital clock with delayed brew, automatic shutoff and an audible beep that signals the end of the brew cycle for convenient, great tasting coffee.

THE QUEST FOR THE PERFECT CUP OF COFFEE

It is generally agreed that there are four basic elements critical to the perfect cup:

Element 1: Water

Coffee is 98% water. Often overlooked, the quality of the water is as important as the quality of the coffee. A good rule of thumb is that if your water doesn't taste good from the tap, it won't taste any better in your coffee. That's why Cuisinart has added a water filter to the Programmable Filter Brew™ 12-Cup Coffeemaker. The charcoal water filter removes chlorine, bad tastes and odors, for the purest cup of coffee every time.

Element 2: Coffee

While the bulk of the liquid is water, all of the flavor should be from the coffee. To achieve the same great quality cup of coffee you receive at a coffee bar, you need to use the same quality beans.

If you choose to grind your own beans, buy the beans fresh and whole, only about a two week supply at a time for maximum freshness. Once the coffee bean is broken, its flavor degrades very quickly. If it is not practical to buy small supplies, we recommend you separate larger amounts of beans into one to two week portions immediately after purchase and freeze them in airtight containers. The best way to maximize freshness is to minimize exposure to air, light and moisture. Once beans have been removed from the freezer, maintain them in a sealed container at room temperature, since damaging condensation occurs every time the beans are removed from the freezer or refrigerator. Note that some coffee experts advise against freezing dark-roast beans because it can cause the oils to coagulate, while others disagree. We suggest you experiment and decide for yourself.

Element 3: Grind

The grind is critical in proper flavor extraction. If the grind is too fine, overextraction and bitterness will result. Too fine a grind may also clog your filter. If grind is too coarse, the water will pass through too quickly and the desired flavors will not be extracted.

Element 4: Proportion

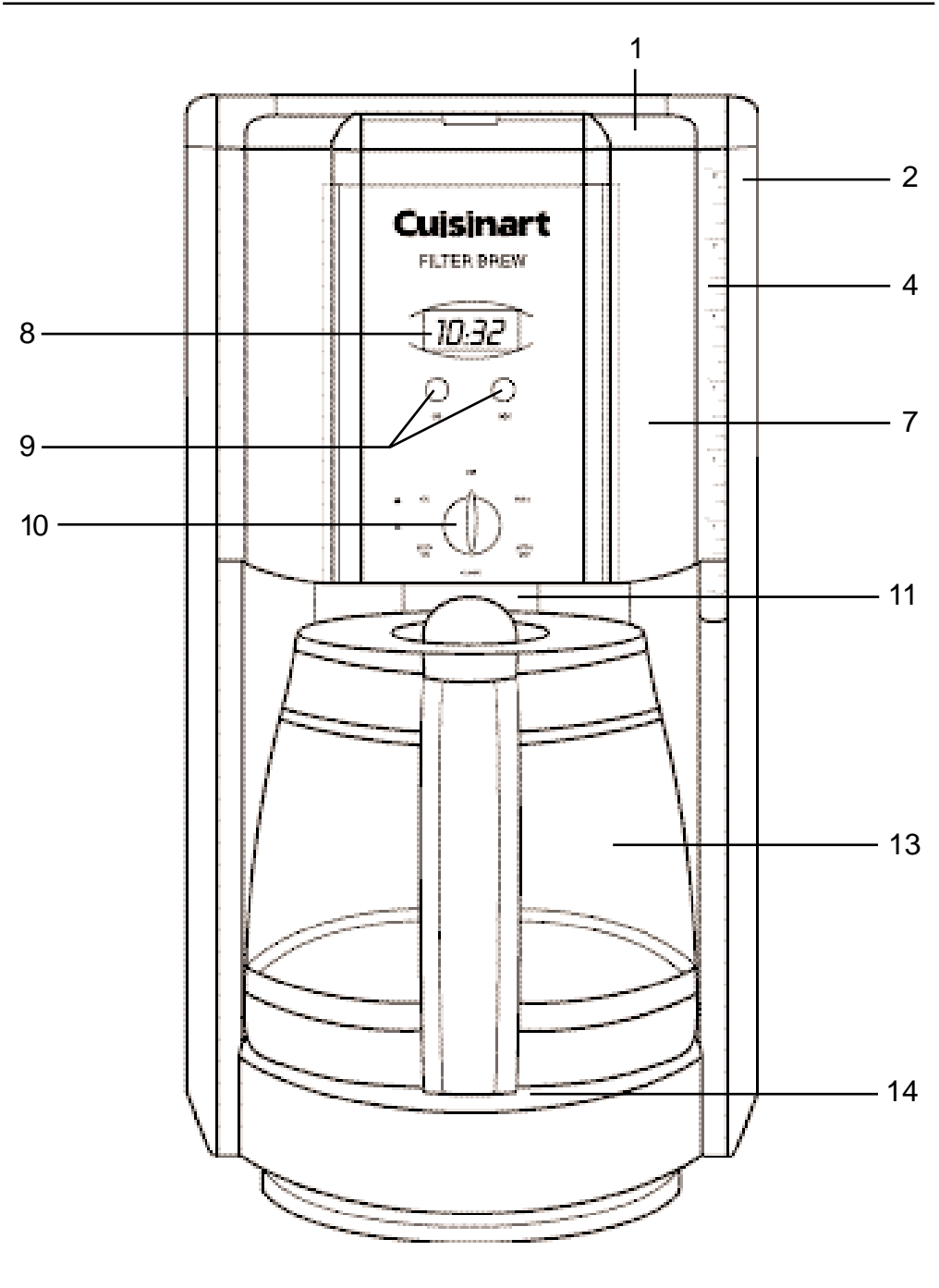
The cups on the Cuisinart coffeemaker are 4.5 ounces. Add the desired amount of ground coffee, corresponding to the number of cups being brewed. Many coffee bars and the Specialty Coffee Association of America recommend adding 2 rounded tablespoons of coffee per 6 ounces of water. Some coffee manufacturers recommend using one tablespoon per cup. We recommend using 1 tablespoon of ground coffee per cup, but use more or less to suit your taste.

NOTE: The maximum capacity for ground coffee is 15 tablespoons for this 12 cup coffeemaker. Exceeding these amounts may cause overflow if the coffee is too finely ground.

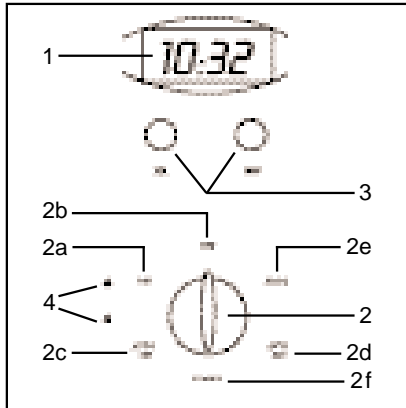
FEATURES AND BENEFITS

The Programmable FilterBrew™ 12-cup Coffeemaker is designed to produce great coffee and, at the same time, remain easy to use and easy to clean. A flip top cover allows for easy access to the water reservoir, filter basket, and water filter. We made a water reservoir with a large fill area for easy filling from both the front and sides of the unit to minimize spills. Our unique showerhead minimizes temperature loss by evenly distributing the water onto the grounds. A water filter guarantees the purest coffee, and the handgrip on the filter holder makes holder easy to insert and remove. The carafe is heat resistant with a comfortable grip, knuckle guard to prevent accidental burns, and a dripless spout to make pouring safe and easy. This deluxe model also has programmable capabilities for auto on and off times, so your coffee is fresh whenever you want it, any time day or night.

1. **Reservoir Cover**
Flips back for easy filling.
2. **Water Reservoir**
3. **Showerhead** (not shown)
Distributes water evenly over coffee, reducing temperature loss as water passes through grounds.
4. **Water Window**
Markings indicate amount of water needed to make corresponding cups of brewed coffee.
5. **Water Filter** (not shown)
Charcoal water filter eliminates chlorine, calcium, bad tastes and odors from tap water.
6. **Filter Basket** (not shown)
Holds a #4 paper filter or a permanent filter.
7. **Filter Basket Holder**
8. **LCD Digital Clock**
Displays time of day and set time for automatic functions.
9. **Hour and Minute Buttons**
Used to set time of day for automatic functions.
10. **Function Knob**
Used to initiate programming of automatic functions.
11. **Brew Pause™ Feature**
Stops flow of coffee from basket when carafe is removed (30 seconds max.) from heater plate, so a cup can be poured in mid-brew if desired. Since the extraction rate varies during the brew cycle, we recommend allowing the brewing cycle to finish before pouring the finished coffee.
12. **Ready Tone** (not shown)
Signals the end of the brew cycle with five beeps.
13. **Carafe**
The easy pour, no drip carafe has an ergonomic handle and brewed coffee markings for two to twelve cups.
14. **Heating Plate**
Scratch resistant with black, nonstick coating.
15. **Cord Storage** (not shown)
Unused cord is easily pushed into the back of the coffeemaker to keep counters neat.
16. **Grounds Scoop** (not shown)
17. **Gold Tone Filter** (not shown)



CONTROL PANEL



1. Clock Display

Displays time of day and auto on/off times.

2. Function Knob

For use in turning coffeemaker on and off, setting time of day, and setting auto on and auto off times.

a. On: The On function starts the brew cycle.

b. Off: The Off function ends the brew cycle.

c. Auto On: The Auto On feature is used to program the start time of the brew cycle. The auto on time can be set for any time of day or night. The "PM" indicator is displayed on the LCD for nighttime program times.

d. Auto Off: The Auto Off function is used to shut off the coffeemaker at a pre-set time, anywhere from 0 to 4 hours.

e. Program Set: The Program Set function is used to set the time for the Auto On function.

f. Clock Set: The Clock Set function is used to set the time of day.

g. Audible Tone (not shown): The Programmable Filter Brew™ 12-Cup Coffeemaker is equipped with an audible tone which will sound 5 times when the coffee has completed brewing (coffee will continue to stream from the filter for several seconds thereafter).

3. Hour and Minute Buttons

For use in setting hour and minutes for time

of day, auto on time and auto off time.

4. On and Auto On Indicator Lights

PROGRAMMING YOUR COFFEEMAKER

1. To turn the coffeemaker on and off:

a. Turn on: To turn coffeemaker on, turn the function knob to the "On" position. The red "On" indicator light illuminates and brewing cycle starts.

b. Turn off: Turn the function knob to the off position.

2. To set the time:

Turn the function knob to "Clock". The numerals start to blink. Push and hold or pulse the "Hour" or "Minute" buttons to set the time of day.

Turn the function knob to any other setting to begin time, or simply wait until the numerals stop blinking.

a. "Hour" Button: To change the hour, press the "Hour" pushbutton. Pressing and holding the pushbutton will cause hours to increase more rapidly. Pulse the pushbutton to increase hour more slowly. When the number count passes 12, the PM light activates and will be displayed on the LCD. **b.**

"Minute" Button: To change the minute, press the "Minute" pushbutton. Pressing and holding the pushbutton will cause minutes to increase more rapidly. Pulse the pushbutton to increase minutes more slowly.

Note: As you scroll, the numbers will advance slowly at first and then speed up to the rate of about three per second. When the number displayed approaches the desired setting, release the button and press repeatedly to advance one digit at a time.

3. To program the Auto On:

Turn the function knob to "Program" to set the desired time to engage the Auto On. Change the auto on time with the program setting using the minute and hour pushbuttons, as you would to set the time of day. Then turn the function knob to "Auto On". The LCD will display the current time. The green light comes on to signal that

the programming function is in use, and the brewing cycle will begin at the programmed time. At the programmed time, the red light will come on with green light, indicating that the brewing cycle is starting. Both lights will go off after keep warm cycle.

NOTE: if you leave the control knob in the auto-on position and let the auto-off function turn off the unit, it will not function again in auto-on mode.

To activate auto-on again, you must turn the knob to any other position, then back to auto-on.

4. To program the Variable Auto Off:

Turn the function knob to the "Auto Off" position. Press and hold the "Hour" button for five seconds, until the clock display starts blinking.

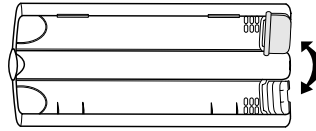
To change the hour and minutes, use the pushbuttons as you would to set the time of day. The Auto Off time can be set from zero to four hours in minute increments. At the end of the keep warm cycle, two beeps will sound. If no auto off time is set, the coffeemaker will turn off after two hours.

MAKING COFFEE

Before making the first pot of coffee in your new Cuisinart® Filter Brew™ Deluxe Coffeemaker, we recommend operating the coffeemaker once using only water and a filter paper. This will remove any dust or residues in the system that remain from the manufacturing process.

1. Insert the Water Filter

- a. Remove the filter from polybag and soak in cold tap water for 15 minutes.
- b. Remove the water filter holder from the coffeemaker by lifting it out of the reservoir area with your thumb and forefinger.
- c. Hold the water filter holder lengthwise and place thumbs in slots directly under arrows.
- d. Pull open in opposite directions with thumbs.
- e. Place the filter in the holder recess area at the bottom of the water filter holder.
NOTE: It will only fit correctly in one end of this unit.
- f. Close the water filter holder; you will hear



a snap indicating it is in place.

- g. Hold the filter under cold running tap water for 10 seconds to flush. You should place the hole openings in the side of the unit directly under the water stream.
- h. Allow the filter to drain completely.
- i. Replace the water filter holder in the reservoir area of the coffeemaker, pushing it all the way down to the base of the unit.

2. Fill the water reservoir:

Remove the carafe from the heating plate. Open the carafe cover and fill with cold water to just over the amount of coffee you are making. This is to account for the amount of water lost in wetting the grounds and lost as steam during the brewing process. Close the carafe cover. Lift the lid of the water reservoir and pour the water from the carafe into it. Replace the carafe on the heating plate.

3. Add the ground coffee:

Remove the filter basket by grasping the handle and lifting straight up, and place it on the countertop. Insert a #4 paper filter or permanent filter. Be sure that the paper filter is completely open and fully inserted into the basket. It may help to fold and flatten the seams of a paper filter beforehand. Add the desired amount of ground coffee, corresponding to the number of cups being brewed. Many coffee bars and the Specialty Coffee Association of America recommend adding 2 rounded tablespoons of coffee per 6 ounces of water. Some coffee manufacturers recommend using one tablespoon per cup. We recommend using 1 tablespoon of ground coffee per cup, but use more or less to suit your taste.

NOTE: The maximum capacity for ground coffee is 15 tablespoons for this 12 cup coffeemaker. Exceeding these amounts may cause overflow if the coffee is too finely ground.

Replace the filter basket in the filter basket holder and flip the water reservoir lid closed. Be sure that it closes securely in place.

Before brewing coffee:

Make sure you have replaced the glass carafe in its position on the warming plate and closed the top cover. Plug the cord into an electrical outlet.

4. Power unit:

Turn the function knob to the "On" position and the red indicator will light. Or set the Auto On function, and the green indicator will light.

5. During and after brewing:

The Brew Pause™ feature allows you to remove the carafe from the heater before brew cycle is finished. The brewing process does not stop during this period; only the flow of coffee from the basket. Do not remove the carafe for longer than 30 seconds or the coffee may overflow from the basket stops. While we offer this feature, we do not recommend you pour the coffee before the cycle has reached completion, since the coffee brewed at the beginning of the cycle has a flavor profile which is very different from the flavor at the end of the cycle. Removing a cup during the brewing cycle will alter the flavor of the finished pot.

Once the coffee has finished brewing, stir it before serving to blend the flavors. The coffee at the bottom of the carafe will be somewhat stronger than the coffee at the top.

CLEANING AND MAINTENANCE

Completely clean and dry all parts after every use.

Always turn coffeemaker OFF and remove the plug from the electrical outlet before cleaning.

Lift up the reservoir cover. Remove and discard the paper filter and ground coffee. The filter basket can be washed in warm soapy water and rinsed thoroughly, or cleaned in the upper rack of the dishwasher. Dry all parts after use.

Do not put any water in the unit once the filter basket has been removed.

Wipe the area under the filter basket with a damp cloth.

Remove the carafe from the warming plate. Discard any remaining coffee. The carafe and lid can be washed in warm, soapy water and rinsed thoroughly, or placed in a dishwasher. The carafe and carafe lid should be placed in the upper rack only.

Do not use any scouring agents or harsh cleansers on any part of the coffeemaker.

Never immerse base unit in water or other liquid. To clean base, simply wipe with a clean, damp cloth and dry before storing.

Wipe warming plate with a clean, damp cloth. Never use rough, abrasive materials or cleansers to clean the warming plate.

Do not dry the inside of the water reservoir with a cloth, as lint may remain.

DECALCIFICATION

Decalcification refers to removing the calcium deposits that form on the metal parts of the coffeemaker over time.

For best performance from your Cuisinart coffeemaker, decalcify the base unit every so often. The frequency depends upon the hardness of your tap water and how often you use the coffeemaker.

To clean, fill the water reservoir to capacity with a mixture of 1/3 white vinegar and 2/3 water.

Turn the function knob to on. One cycle should be sufficient to adequately clean the coffee-maker. When the cycle is completed, the five beeps will sound. Then run one cycle of fresh cold water through the unit before using the unit again to brew coffee.

REPLACING THE WATER FILTER

- Remove the new filter from polybag and soak in cold tap water for 15 minutes.
- Remove the water filter holder from the coffeemaker by lifting it out of the reservoir area with your thumb and forefinger.
- Hold the water filter holder lengthwise and place thumbs in slots directly under arrows.
- Pull open in opposite directions with thumbs.
- Remove the old filter from the holder and discard.
- Place the new filter in the holder recess area at the bottom of the water filter holder.
NOTE: It will only fit correctly in one end of this unit.
- Close the water filter holder; you will hear a snap indicating it is in place.
- Hold the filter under cold running tap water for 10 seconds to flush. You should place the hole openings in the side of the unit directly under the water stream.

-
- i. Allow the filter to drain completely.
 - j. Replace the water filter holder in the reservoir area of the coffeemaker, pushing it all the way down to the base of the unit.

WARRANTY

THREE-YEAR LIMITED WARRANTY

This warranty supersedes all previous warranties on the Cuisinart® Programmable Filter Brew™ 12-Cup Coffeemaker.

This warranty is available to consumers only. You are a consumer if you own a Cuisinart® Programmable Filter Brew™ 12-Cup Coffeemaker that was purchased at retail for personal, family or household use. Except as otherwise required under applicable state law, this warranty is not available to retailers or other commercial purchasers or owners.

We warrant that your Cuisinart® Programmable Filter Brew™ 12-Cup Coffeemaker will be free of defects in material or workmanship under normal home use for three years from the date of original purchase.

We suggest that you complete and return the enclosed warranty registration card promptly to facilitate verification of the date of original purchase. However, return of the warranty registration is not a condition of these warranties.

If your coffeemaker should prove to be defective within the warranty period, we will repair it (or, if we think it necessary, replace it) without charge to you. To obtain warranty service, please call our Consumer Service Center toll-free at 800-726-0190 or write to:

Cuisinart
150 Milford Road
East Windsor, NJ 08520

To facilitate the speed and accuracy of your return, please also enclose \$10.00 for shipping and handling of the product (California residents need only supply proof of purchase and should call 1-800-726-0190 for shipping instructions). Please also be sure to include a return address, description of the product defect, product serial number, and any other information pertinent to the product's return. Please pay by check or money order.

Your Cuisinart coffeemaker has been

manufactured to strict specifications and has been designed for use with the Cuisinart coffeemaker authorized accessories and replacement parts for your model. These warranties expressly exclude any defects or damages caused by accessories, replacement parts or repair service other than those that have been authorized by Cuisinart.

These warranties exclude all incidental or consequential damages. Some states do not allow the exclusion or limitation of incidental or consequential damages, so the foregoing limitation or exclusion may not apply to you.

CALIFORNIA RESIDENTS ONLY

California law provides that for In-Warranty Service, California residents have the option of returning a nonconforming product (A) to the store where it was purchased or (B) to another retail store which sells Cuisinart® products of the same type. The retail store shall then, at its choice, either repair the product, refer the consumer to an independent repair facility, replace the product, or refund the purchase price less the amount directly attributable to the consumer's prior usage of the product. If either of the above two options does not result in the appropriate relief to the consumer, the consumer may then take the product to an independent repair facility if service or repair can be economically accomplished. Cuisinart and not the consumer will be responsible for the reasonable cost of such service, repair, replacement, or refund for nonconforming products under warranty.

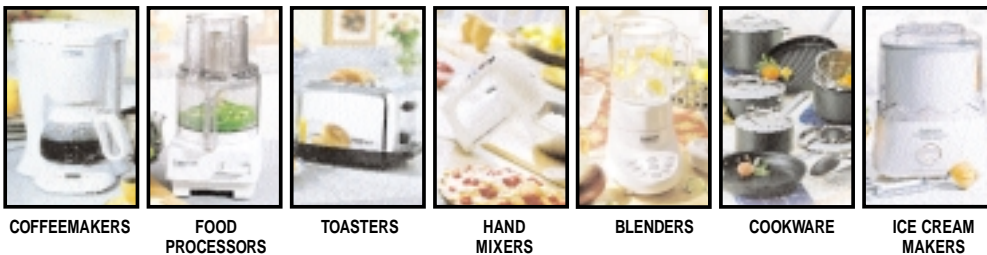
California residents may also, at their preference, return nonconforming products directly to Cuisinart for repair or, if necessary, replacement by calling our Consumer Service Center toll-free at 800-726-0190. Cuisinart will be responsible for the cost of the repair, replacement, and shipping and handling for such nonconforming products under warranty.

BEFORE RETURNING YOUR CUISINART® PRODUCT

Important: If the nonconforming product is to be serviced by someone other than Cuisinart's Authorized Service Center, please remind the servicer to call our Consumer Service Center to ensure that the problem is properly diagnosed, the product serviced with the correct parts, and to ensure that the product is still under warranty.

Cuisinart

SAVOR THE GOOD LIFE™



Cuisinart offers an extensive assortment of top quality products to make life in the kitchen easier than ever. Try some of our other countertop appliances and cookware, and Savor the Good Life™.

www.cuisinart.com

©2001 Cuisinart
Cuisinart® is a registered trademark of Cuisinart.

Cuisinart
150 Milford Road
East Windsor, NJ 08520
Printed in China
IB-3766B
01CU13054

Free Manuals Download Website

<http://myh66.com>

<http://usermanuals.us>

<http://www.somanuals.com>

<http://www.4manuals.cc>

<http://www.manual-lib.com>

<http://www.404manual.com>

<http://www.luxmanual.com>

<http://aubethermostatmanual.com>

Golf course search by state

<http://golfingnear.com>

Email search by domain

<http://emailbydomain.com>

Auto manuals search

<http://auto.somanuals.com>

TV manuals search

<http://tv.somanuals.com>