

# Cuisinart®

INSTRUCTION AND  
RECIPE BOOKLET



Limited Edition Metal™ Ultimate Food Prep Centre

MP-14C

For your safety and continued enjoyment of this product, always read the instruction book carefully before using.

Download from [Www.Somanuals.com](http://www.Somanuals.com). All Manuals Search And Download.

## Recommended work bowl capacity for various foods

FOOD	CAPACITY
Chopped and Puréed Fruits and Vegetables	14 cups (3.5L)
Chopped or Puréed Meat, Poultry, Fish or Seafood	2-1/4 pounds
Bread Dough	3 pounds [6 cups (1.5L) flour, yielding two 1-1/2 pound loaves]
Nuts for Nut Butters	3 cups (750ml)
Sliced or Shredded Fruit, Cheese, or Vegetables	14 cups (3.5L)
Cake Batter	batter for 5 8-inch layers
Cookie Dough	dough for 90 cookies

# IMPORTANT UNPACKING INSTRUCTIONS

This package contains a Cuisinart® Limited Edition Metal™ Ultimate Food Prep Centre, and the standard parts for it:

PowerPrep® Metal Dough Blade, metal chopping blade, slicing disc, shredding disc, detachable stem for discs, whisk attachment, spatula, recipe and instruction books, and how-to video.

## CAUTION:

**THE CUTTING TOOLS HAVE VERY SHARP EDGES.** To avoid injury when unpacking the parts, please follow these instructions:

1. Place the box on a low table or on the floor next to the kitchen counter or table where you intend to keep the food processor. Be sure the box is right side up.
2. Remove the cardboard insert. You will see a rectangular block of plastic foam that holds the processor parts, each fitted into a cavity of the foam.
3. Remove the instruction and recipe book first.
4. The PowerPrep® Metal Dough Blade (A) and detachable stem for the discs (B) are in the cavities on one short side of the foam block.
5. Remove whisk attachment lid (C) on the adjacent long side

of the foam block. Remove beaters (D) on the other side of the foam block. Remove whisk adapter (E).

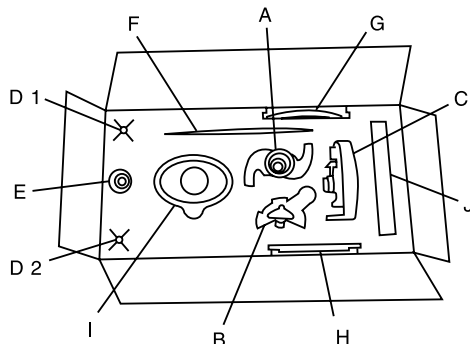
6. The plastic spatula (F) is on the corner of the long side of the foam block. Remove it next.
7. The slicing disc (G) is on the edge of one of the long sides of the foam block; the shredding disc (H) is on the other side. Slide them out of their grooves WITH GREAT CARE; THE BLADES ARE VERY SHARP.
8. Only the pusher assembly (I) now remains in the foam block. Lift it straight up to remove.
9. Lift out the video (J) from its space in the foam block.
10. Lift out the foam block.
11. The machine base and work bowl with metal blade and work bowl cover are at the bottom of the box. The metal blade is loose in the work bowl. Do not turn over work bowl without first removing metal blade. Remove the work bowl cover first.

12. Remove the base and bowl together by grasping the plastic bowl at the top with both hands and lifting the bowl straight up. Do not rotate the bowl clockwise on the base. This will cause the bowl to separate from the base.
13. Place the food processor on the counter or table and read the instructions thoroughly before using the machine.
14. Save the shipping cartons and plastic foam blocks. You may want to use them at a later date.

**Please watch the enclosed How-to video before using the food processor.**

**NOTE: Remember to return your completed product registration card with all information carefully filled out.**

**WHEN REMOVING BLADE: CAREFULLY REMOVE THE METAL BLADE BY GRASPING THE CENTRE WHITE HUB AND LIFTING IT STRAIGHT UP. NEVER TOUCH THE BLADES AS THEY ARE RAZOR SHARP.**



# TABLE OF CONTENTS

<b>IMPORTANT SAFEGUARDS</b> . . . . .	4
<b>INTRODUCTION</b> . . . . .	5
<b>THE MACHINE INCLUDES</b> . . . . .	6
<b>ASSEMBLY INSTRUCTIONS</b> . . . . .	6
<b>THE MACHINE FUNCTIONS</b> . . . . .	7
<b>OPERATING INSTRUCTIONS</b> . . . . .	7
<b>TECHNIQUES FOR CHOPPING AND PUREEING WITH METAL BLADE</b> . . . . .	8
Chop raw fruits and vegetables . . . . .	8
Puree fruits and cooked vegetables . . . . .	8
Dislodge food . . . . .	8
Chop hard foods . . . . .	9
Chop parsley and other fresh herbs . . . . .	9
Chop peel from citrus fruit . . . . .	9
Chop sticky fruit like dates or raisins . . . . .	9
Chop meat, poultry, fish and seafood . . . . .	9
Puree meat, poultry, fish and seafood . . . . .	9
Chop nuts . . . . .	9
Make peanut butter and other nut butters . . . . .	9
Make flavoured butters, spreads and dips . . . . .	10
Make mayonnaise . . . . .	10
Beat egg whites . . . . .	10
Whip cream with metal blade . . . . .	10
Make crumbs and crumb crusts . . . . .	10
Make pastry . . . . .	10
Make quick bread and cakes . . . . .	11
Make cake mix . . . . .	11
<b>PREPARING FOOD FOR SLICING AND SHREDDING</b> . . . . .	11
Round fruits and vegetables . . . . .	11
Whole peppers . . . . .	11
Large fruits like pineapple . . . . .	11
Cabbage and iceberg lettuce . . . . .	11
Pack the feed tube for desired results . . . . .	12
<b>PRACTICING SLICING AND SHREDDING</b> . . . . .	12
<b>REMOVING SLICED OR SHREDDED FOOD</b> . . . . .	12
<b>TECHNIQUES FOR SLICING AND SHREDDING</b> . . . . .	12
Small, round fruits and vegetables . . . . .	12
Long fruits and vegetables . . . . .	12
Small amounts of food . . . . .	12
French-cut green beans . . . . .	12
Matchsticks or julienne strips . . . . .	13
<b>SLICING MEAT AND POULTRY</b> . . . . .	13
Cooked meat and poultry . . . . .	13
Uncooked meat and poultry . . . . .	13
Frankfurters, salami and other sausages . . . . .	13
Firm cheese like Swiss and Cheddar . . . . .	13
<b>SLICING AND SHREDDING CHEESE CHART</b> . . . . .	14
<b>TECHNIQUES FOR KNEADING YEAST DOUGH WITH DOUGH BLADE</b> . . . . .	14
Machine capacity . . . . .	14
Using the right blade . . . . .	14
Measuring the flour . . . . .	14
Proofing the yeast . . . . .	15
Processing dry ingredients . . . . .	15
Adding liquids . . . . .	15
Kneading bread dough . . . . .	15
Kneading sweet dough . . . . .	15
Rising . . . . .	15
Shaping, finishing and baking . . . . .	16
Making consecutive batches . . . . .	16
<b>PROBLEMS AND SOLUTIONS WHEN MAKING DOUGH</b> . . . . .	16
<b>PROBLEMS AND SOLUTIONS WITH TYPICAL SWEET DOUGHS</b> . . . . .	17
<b>OPERATING INSTRUCTIONS FOR WHISK ATTACHMENT</b> . . . . .	17
<b>TECHNIQUES FOR WHIPPING AND BEATING WITH THE WHISK ATTACHMENT</b> . . . . .	19
Beating egg whites . . . . .	19
Folding beaten egg whites into base mixture . . . . .	19
Freezing leftover egg yolks . . . . .	19
<b>CLEANING AND STORING</b> . . . . .	20
<b>FOR YOUR SAFETY</b> . . . . .	20
<b>TECHNICAL DATA</b> . . . . .	21
<b>WARRANTY</b> . . . . .	21

**Carefully Read All These Instructions Before Using This Appliance.**

# IMPORTANT SAFEGUARDS

Always follow these safety precautions when using this appliance.

## Getting Ready

1. Read all instructions.
2. Blades are very sharp. Handle them carefully.
3. Always unplug from outlet when not in use, before putting on or taking off parts, before removing food and before cleaning. To unplug, grasp plug and pull from electrical outlet. Never pull cord.
4. Do not use outdoors.
5. Do not let cord hang over edge of table or counter, or touch hot surfaces.
6. Do not operate any appliance with damaged cord or plug, or after appliance has been dropped or damaged in any way. Return appliance to the nearest authorized service facility for examination, repair or electrical or mechanical adjustment.
7. When using the whisk attachment, be sure that it is assembled as described and that it is securely locked in place on the motor shaft of the food processor before trying to operate it.
8. The whisk attachment is for household use only. Use it only for food preparation as described in this booklet.

## Operation

1. Keep hands as well as spatulas and other utensils away from moving blades or discs

while processing food, to prevent the possibility of severe personal injury or damage to food processor. A plastic scraper may be used, but only when the food processor motor is stopped.

2. Avoid contact with moving parts. Never push food down by hand when slicing or shredding. Always use pusher.
3. Make sure motor has completely stopped before removing cover. (If machine does not stop within 4 seconds after you remove the pusher assembly, call 1-800-472-7606 for assistance. Do not use the machine.)
4. Never store any blade or disc on motor shaft. To reduce the risk of injury, no blade or disc should be placed on the shaft except when the bowl is properly locked in place and the processor is in use. Store blades and discs, as you would sharp knives, out of reach of children.
5. Be sure cover and feed tube are securely locked in place before operating food processor.
6. Never try to override or tamper with cover interlock mechanism.
7. Be sure that the whisk attachment is assembled as described and that it is securely locked in place on the motor shaft before trying to operate.
8. The whisk attachment is for household use only. Use it only for food preparation as described in this booklet.

## Cleaning

To protect against risk of electrical shock, do not put base in water or other liquid.

## General

1. Close supervision is necessary when any appliance is used by or near children.
2. Do not operate this, or any other motor-driven appliance, while under the influence of alcohol or other substances that affect your reaction time or perception.
3. This food processor is CUL listed for household use. Use it only for food preparation as described in the accompanying recipe and instruction book.
4. The use of attachments not recommended or sold by Cuisinart may cause fire, electrical shock or personal injury, or damage to your food processor.
5. To avoid possible malfunction of work bowl switch, never store processor with pusher assembly in locked position.
6. Maximum rating of 6.0 ampere is based on attachment that draws greatest current. Other recommended attachments may draw significantly less current.

**NOTICE:** This appliance is of the grounded type; the extension cord should be a grounded type 3-wire cord. If the plug does not fit, contact a qualified electrician. Do not modify the plug in any way.

# SAVE THESE INSTRUCTIONS FOR HOUSEHOLD USE ONLY

# INTRODUCTION

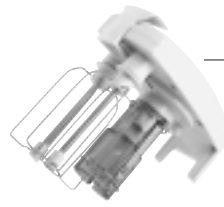
Congratulations on your purchase of the Cuisinart® Limited Edition Metal™ Ultimate Food Prep Centre. This product is the ultimate food preparation tool, and it comes from the originator of the American food processor, Cuisinart.

The Cuisinart® Limited Edition Metal™ Ultimate Food Prep Centre has all the elements of quality that Cuisinart is known for, including a powerful motor, the largest work bowl, and the longest warranty in the industry.

It also introduces some new features that will set the industry standard. These are:

- **The Cuisinart® Supreme® Wide Mouth Feed Tube**, which is more than twice the size of any other available. Perfect for slicing whole fruits and vegetables.
- **The Cuisinart Dough Control Button**. We have engineered a dough process speed that works with the PowerPrep® Metal Dough Blade, to let you make perfect dough in seconds.

These features, plus the capacity to use all your existing Cuisinart specialty blades and discs, make the Limited Edition Metal™ Ultimate Food Prep Centre the perfect choice in food processors.



**Whisk Attachment**



**PowerPrep® Metal Dough Blade**



**Chopping/Mixing Blade**



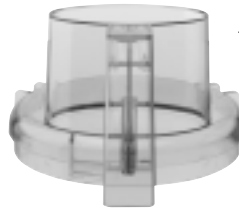
**4mm Slicing Disc**



**Medium Shredding Disc**



**Pusher Assembly**



**Cover with Cuisinart® Supreme® Wide Mouth Feed Tube**



**14-cup Work Bowl**

**Shaft (not shown)**

**Housing Base**

**Cord Wrap (not shown)**

# THE MACHINE INCLUDES:

1. Cast metal housing base with a vertically projecting shaft and convenient push button control panel.
2. 14-cup work bowl.
3. Cover with extra large feed tube.
4. Pusher assembly that slides inside the feed tube.
5. Unique metal dough blade, designed specifically for our dough speed control.
6. Sharp metal chopping/mixing blade.
7. Serrated slicing disc.
8. Shredding disc.
9. Whisk attachment.
10. Detachable stem for discs (not shown).
11. Plastic spatula (not shown).

The metal chopping blade chops raw and cooked fruits, vegetables, meat, fish and cheese to the exact consistency you want, from coarse to fine, even to a purée. It chops nuts, makes nut butters, mayonnaise and sauces, and mixes tender, flaky pastry. The metal chopping blade also mixes cakes, frostings, cookies, quick breads, muffins, and biscuits.

The Power Prep® Metal Dough Blade is specifically designed to work in conjunction with our DOUGH control.

One touch of the DOUGH button makes “perfect dough in seconds”.

A locking device prevents heavy dough from driving the blade up on the shaft.

The slicing disc makes beautiful whole slices without torn edges. It slices whole fruits and vegetables, cooked meat, semi-frozen raw meat and loaves of bread.

The shredding disc processes most firm and hard cheeses into long, attractive shreds. It also shreds vegetables like potatoes, carrots and zucchini, and processes nuts and chocolate to a grated texture.

The detachable stem fits both discs, making disc storage compact in limited space.

The pusher assembly has two parts.

1. A small, removable, clear pusher that fits into a small centre-located feed tube. This tube is for narrow food like carrots, for adding liquid, and for continuous feeding of small food like garlic.
2. A large pusher that fits into the Cuisinart® Supreme® feed tube opening and moves freely within it.

3. Upon contact, the large pusher meets an activating rod in the centre of the work bowl handle, permitting the motor to start.

The whisk attachment adds volume to egg whites, heavy or whipping cream, potatoes and light sauces. The thin stainless steel beaters aerate food, making it lighter and fluffier.

## ASSEMBLY INSTRUCTIONS:

### Blade Operation

1. Plug in the housing base and place the work bowl on top, with the work bowl handle just to the left of centre. Turn the work bowl counter-clockwise to lock it onto the housing base.
2. CAREFULLY lift and place the selected blade over the work bowl centre hub. Line up the markings on the blade hub with the motor shaft. It should fit snugly and rest on the bottom of the work bowl.
3. Add desired ingredients to work bowl.
4. Place work bowl cover onto work bowl, with the handle area just to the left of centre. Turn counterclockwise to lock onto work bowl.
5. Align pusher assembly and activating rod with the feed tube opening on the work bowl cover and slide the activating rod down to the bottom.
6. You are now ready to operate the machine.



## Disc Operation

1. Plug in the housing base and place the work bowl on top, with the work bowl handle just to the left of centre. Turn the work bowl counter-clockwise to lock it onto the housing base.
2. Choose desired disc and place underside-up on tabletop. Pick up detachable disc stem and align it with the raised plastic crescent on the disc underside. The raised 'lock' indicator on the left corner of the stem should be to the left of the mounting plate on disc.
3. Turn the stem to the right, so the locking tabs are covered by the metal supports and a 'click' locks the stem in place.
4. With the stem facing down, place the assembly over the centre hub. It should fit snugly and rest on the bottom of the work bowl.
5. Place work bowl cover onto work bowl, with the handle area just to the left of centre. Turn counterclockwise to lock onto work bowl.
6. Align pusher with the feed tube opening on the work bowl cover and slide the activating rod down to the bottom.
7. Use the cord wrap on the housing base underside to add or remove cord.
8. You are now ready to operate the machine.

## THE MACHINE FUNCTIONS:

### PULSE

1. With the machine properly assembled and engaged, and ingredients in the work bowl, press the PULSE button repeatedly as needed.

### ON (Continuous)

1. Properly assemble and engage the machine.
2. To add ingredients through the feed tube, remove the pusher and fill the feed tube as directed (see preparing for slicing or shredding).
3. Engage the pusher and press the ON button. The button light will turn on and the motor will start.
4. Press the pusher firmly down until all ingredients have passed into the work bowl. Remove the pusher and refill ingredients as needed. When you engage the pusher again, the unit and light will automatically turn ON.
5. Press the OFF button when finished.

### DOUGH Button

1. Prepare the dough ingredients and place in work bowl.
2. Properly assemble and engage the work bowl cover and pusher.
3. Press the DOUGH button and the LED light will turn on.

4. Then press the ON or PULSE buttons as needed to process DOUGH. The ON light will turn on.
5. Press the OFF button when finished.

## OPERATING INSTRUCTIONS:

Try chopping some practice foods such as a zucchini or potato before you process food to eat. First, cut the ingredients into 1-inch (2.5cm) pieces of even size and length.

- Place the work bowl over the centre stem and turn counterclockwise to lock in place.
- Insert the metal chopping blade and put ingredient pieces in the work bowl. Put on the cover and turn counterclockwise to lock onto work bowl. Align the pusher and the pusher's activating rod with the corresponding openings on the feed tube, and push all the way down.
- Press and release the PULSE button two or three times. Each time the blade stops, let the pieces drop to the bottom of the bowl before you pulse again. This puts them in the path of the blade each time the motor starts.
- Using the pulse/chopping technique, you get an even chop without overprocessing. Check the texture frequently by looking through the cover. If you want a finer chop, press and release the PULSE button until you achieve the desired



texture. Onions and other food with a high water content will quickly end up as a purée unless examined through the work bowl after each pulse to make sure they are not overprocessed.

Try chopping other food like meat for hamburger or sausage. Then make mayonnaise, pastry or bread, as described in the following sections. To obtain consistent results:

Be sure all the pieces you add to the bowl are about the same size.

Be sure the amount you process is no larger than recommended on the inside cover of this booklet.

Before you do anything, wait for the blade to stop spinning. Once it does, remove the pusher assembly. Then turn the cover clockwise to unlock and remove by lifting it off.

Never try to remove the pusher, lid and work bowl together; as a safety feature, the pusher assembly must be removed before the lid and work bowl can be unlocked. They can then both be unlocked at the same time.

Remove the bowl from the base of the machine before removing the blade. This creates a seal to prevent food from leaking. Turn the bowl clockwise to unlock from the base and lift straight up to remove.

To prevent the blade from falling from the work bowl onto your hand, when emptying the work bowl, use one of the following

methods. Be sure your hands are dry.

Grab the blade hub, and remove the metal blade before tilting the bowl, using a spatula to scrape off any food. Then carefully lift the blade out of the work bowl. Or insert your finger through the hole in the bottom of the work bowl, gripping the blade from the bottom, and grip the outside of the work bowl with your thumb. Or hold the blade in place with your finger or spatula while pouring out food.

## TECHNIQUES FOR CHOPPING AND PURÉEING WITH THE METAL BLADE

### To chop raw fruits and vegetables:

First cut the food into 1-inch (2.5cm) pieces. You get a more even chop when all pieces are about the same size.

Put no more than the recommended amount of food into the work bowl (see table inside front cover). Lock the cover in place. Press the PULSE button at the rate of 1 second on, 1 second off, until the food is coarsely chopped. For more finely chopped results, hold the PULSE button, letting the machine run continuously until the desired consistency is reached. Check frequently to avoid overprocessing. Use the spatula to scrape down the sides of the work bowl if necessary.

### To purée fruits and cooked vegetables:

First, cut the food into 1-inch (2.5cm) pieces.

You get a smoother purée faster when all pieces are about equal in size.

Put no more than the recommended amount of food in the work bowl (see table inside front cover). Lock the cover in place. PULSE to chop coarsely, then press the ON button and process continuously until food is puréed. (NOTE: Cooked potatoes are an exception to this procedure. They develop a gluey texture when processed with the metal blade.)

When making soup, you will want to purée vegetables that have been cooked in liquid. Don't add the liquid to the work bowl, just the cooked vegetables; remove vegetables with a slotted spoon. They will purée faster and smoother without liquid. Then add just enough liquid to make the purée pourable, return to the soup liquid and stir to combine.

### To dislodge food

Occasionally, a piece of food may become wedged between the blade and the work bowl. If this happens, unplug the machine, remove the cover, lift the blade out carefully and remove the wedged piece. Empty the bowl, reinsert the blade and lock the cover into place, then insert the pusher. Press the ON button and drop the food pieces through the small feed tube opening while the machine is running. After adding a

cupful this way, add the remaining food to the bowl and process in the usual manner.

### **To chop hard foods:**

To chop hard food like garlic and hard cheese, assemble the unit, remove the small pusher, press the ON button and drop the food through the small feed tube while the machine is running.

Small foods like garlic can be dropped in whole. Large foods like hard cheese should be cut into 1-inch (2.5cm) pieces. This method of processing minces garlic, shallots and onions. Hard cheese and coconut will have the same texture as if they had been hand grated.

**IMPORTANT:** Never try to process cheese that is too hard to cut with a knife. You may damage the blade or the machine.

### **To chop parsley and other fresh herbs:**

The herbs, the work bowl and the metal chopping blade must all be thoroughly cleaned and dried. Remove stems from herbs. Add leaves to bowl and process, using the PULSE button until chopped as fine as desired. The more herbs you chop at a time, the finer chop you can obtain. If completely dry when chopped, parsley and other herbs will keep for at least 4-5 days, stored in an airtight bag in the refrigerator. They may be frozen for months, stored in an airtight container or bag.

### **To chop peel from citrus fruit or to chop sticky fruit like dates or raisins:**

For citrus, remove only the peel with a vegetable peeler, not the white pith which is bitter tasting.

Cut the peel into lengths of 2 inches (5cm) or less and process with 1/2 cup (125 ml) of granulated sugar until finely chopped. This may take 2 minutes or longer.

For sticky fruit like dates, raisins, prunes and candied fruit, first freeze the fruit for about 10 minutes. Add some of the flour called for in the recipe to the fruit. Use no more than 1 cup (250 ml) of flour for each cup of fruit.

### **To chop meat, poultry, fish and seafood:**

The food should be very cold, but not frozen. Cut it into 1-inch (2.5cm) pieces to ensure an even chop. Using the ON button, process no more than the recommended amount at one time (see table inside front cover). Press the PULSE button 3 or 4 times at a rate of 1 second on, 1 second off. If the food is not chopped fine enough, let the processor run continuously for a few seconds. Check the texture often to avoid overprocessing. Use a spatula to scrape food from the sides of the bowl as necessary.

### **To purée meat, poultry, fish and seafood:**

Prepare the food as described above. Press the PULSE button until evenly chopped, then process continuously to the desired

texture. Scrape the bowl with a spatula as needed.

Leave the chopped mixture in the work bowl and add eggs, liquid and seasonings as called for by the recipe. Process to combine thoroughly.

Remember, you control texture by the length of time you process. By using the pulse varying the processing time, you can get a range of textures suitable for hamburgers, hash, stuffed peppers, or smooth mouses.

### **To chop nuts:**

Chop no more than the recommended amount at one time. Press and release the PULSE button and check frequently to avoid nuts clumping together in a nut butter. When a recipe calls for flour or sugar, add some to the nuts before you chop, about 1/2 cup (125ml) for each cup (250ml) of nuts. This allows you to chop the nuts as fine as you want without turning them into a nut butter. You can also chop nuts with a shredding disc. The optional fine shredding disc is particularly good.

### **To make peanut butter and other nut butters:**

Process up to the recommended amount of nuts. Using the ON button, let the machine run continuously. After 2 or 3 minutes, the ground nuts will form a ball that will gradually smooth out. Scrape the sides of the bowl and continue processing until drops of oil are visible. Taste for consistency.

The longer you process, the softer the butter. For chunk style, add a handful of nuts just after the ball of nut butter begins to smooth out. To make cashew butter, add a little bland vegetable oil. Processor nut butters contain no preservatives. Store in refrigerator to keep from separating.

### **To make flavoured butters, spreads and dips:**

Cut room temperature butter into tablespoon size pieces. Finely chop flavouring ingredients first, such as anchovies, cheese, herbs, etc. Be sure work bowl is clean and dry. Add small hard ingredients like garlic and hard cheese through the feed tube while machine is running. Next, add the butter and process using the ON button, until smooth. Add any liquid ingredients last, while the processor is running, and process just long enough to blend. Process ingredients for spreads and dips the same way. They should be at room temperature and cut into 1-inch (2.5cm) cubes, or added by tablespoonfuls (15ml).

### **To make mayonnaise:**

The work bowl and metal blade must be clean and dry. Use one whole large egg, or the yolks from two large eggs (see recipe book or proper food safety instructions for eggs). Mayonnaise made from yolks will be almost as thick as butter. You should be able to add 2/3 cup (160ml) of oil for each yolk or 1-1/4 cups (310ml) for a whole egg.

Process the yolks or egg with salt, mustard and 2 tablespoons of vegetable oil for at least 30 seconds using the ON button. Then, while the machine is running, pour 1/4 cup(60ml) of oil into the small pusher. After it dribbles through the pinhole at the bottom, remove the small pusher and slowly add the remaining oil while the machine runs.

**NOTE: Eggs whites and cream can both be whipped using the metal blade or the whisk attachment. Using the whisk attachment will produce greater volume.**

### **To beat egg whites:**

The work bowl must be absolutely clean. Add 3 or more egg whites (up to 6 large egg whites) and press the ON button. Add about 1 teaspoon of lemon juice or vinegar for every egg white. Vinegar makes stiffer whites; its flavour is hardly detectable in cakes or soufflés. Continue processing until the egg whites hold their shape, about 1-1/2 to 2-1/2 minutes.

### **To whip cream with metal blade:**

Processor whipped cream holds its shape very well. It is good for decoration or as a topping; however, it will not whip to the light, fluffy consistency obtained by methods that beat in more air. Chill the cream well before starting. Process continuously using the ON button, until it begins to thicken. Then add sugar as desired and continue processing,

watching carefully for the desired consistency. For consistently reliable results, add 2 tablespoons (30 ml) of nonfat dry milk for every cup (250ml) of cream before whipping.

### **To make crumbs and crumb crusts:**

Cut or break bread, crackers or cookies into 1-inch (2.5cm) pieces and place in work bowl. Press the ON button and process continuously until they reach the desired texture. For seasoned crumbs, chop parsley or other fresh herbs with the crumbs. For buttered crumbs, process until the dry crumbs are of the desired texture, then dribble melted butter through the small feed tube opening while the machine is running.

For crumb crusts, process crackers or cookies as described above. Add sugar, spices and butter, and cut into pieces as specified by your recipe. Process until well combined.

### **To make pastry:**

Combine unbleached all-purpose flour, salt and pieces of very cold butter in the work bowl. Process to the consistency of cornmeal. Sprinkle evenly with the minimum amount of cold liquid in the recipe. PULSE 5 or 6 times. The dough should begin to hold together when pressed. If it is still dry and crumbly, add more water – 1 teaspoon (5ml) at a time – until the dough holds together easily. Do not let the dough form a ball in the processor

or it will be overworked and tough. Form into a round disc, one inch thick, and wrap in plastic wrap. Refrigerate for 1 hour before using, or double wrap and freeze for later use. Thaw before using.

### **To make quick breads and cakes that use baking powder and/or soda:**

The most important rule for success is not to over mix after adding the flour. The ingredients for these soft doughs should be cold. If the recipe calls for chopped ingredients like lemon peel or nuts, chop them first while the work bowl is clean and dry, then set aside until needed.

Put dry ingredients like flour, salt and leavening in the work bowl and process with the metal blade for 5 seconds to mix. Remove and reserve the dry ingredients.

Add the eggs and sugar to the work bowl and, using the ON button, process to mix, letting the machine run about 1 minute. Next, add butter at room temperature and cut into 1-inch (2.5cm) pieces. Run machine continuously for a minute, until the butter is thoroughly mixed with the sugar and eggs. Then add flavouring and liquid – vanilla, spices, cocoa, etc. Process until mixed. Add the dry ingredients to the work bowl.

Process by pulsing, inspecting after each pulse. Stop pulsing as soon as the dry ingredients have almost disappeared into the batter. Overprocessing will cause quick breads and

cakes to be tough. (If your recipe calls for ingredients that are to be coarsely chopped – like raisins or nuts – add them last with the mixed dry ingredients.)

### **To make cake mix:**

Your food processor work bowl is large enough for the preparation of an 18.5-ounce packaged cake mix.

Insert the metal blade and add the cake mix to the work bowl. Press the ON button and while the machine is running, add the eggs and liquid through the small feed tube and process for 5 seconds.

Scrape down the sides of the work bowl and process 1 minute more for maximum volume. Do not remove the metal blade.

Insert a finger into the underside of the blade from the bottom of the work bowl to hold the blade in place while emptying the batter.

### **Tip:**

After emptying cake batter or puréed soup from the work bowl, replace the bowl on the motor base and PULSE once.

Centrifugal force will spin the batter off the blade onto the sides of the work bowl. Remove the blade, and use the spatula to scrape any remaining batter from the bowl.

## **PREPARING FOOD FOR SLICING AND SHREDDING**

**For disc assembly instructions, refer to Assembly Instructions.**

### **Round fruits and vegetables:**

Before processing onions, apples and other large, round fruits and vegetables, cut the bottom ends flat to make the food lie stable on the disc.

Place the food in the feed tube, flat side down, as far left as possible, to prevent it from tilting when being processed.

Choose fruits that are firm and not too ripe. Remove large hard pits and seeds from fruits before processing. Seeds from citrus fruits need not be removed. Remove the rind before slicing or shredding, if desired.

### **Whole peppers are an exception:**

Remove the stem and cut the stem end flat. Remove the core and scoop out the seeds. Leave the end opposite the stem whole, to keep the structure stiff. This ensures round, even slices.

### **Large fruits like pineapple:**

Cut the ends flat, cut in half and core. If necessary, cut the halves into smaller pieces to fit the feed tube.

### **Cabbage and iceberg lettuce:**

Turn the head on its side and slice off the top and bottom, leaving a centre section about 3 inches (7.5cm) deep. Remove the core, then cut in wedges to fit the feed tube. Remove the core from the bottom and top pieces and cut into wedges to fit into the feed tube.

The optional 2mm and 1mm slicing discs are excellent for slicing cabbage for coleslaw.

If the fruit or vegetable doesn't fit, try inserting it from the bottom of the feed tube, where the opening is slightly larger.

### **Pack the feed tube for desired results:**

For long slices or shreds, cut the food in feed tube widths and pack the pieces horizontally.

For small, round slices or short shreds from carrots, zucchini and other long vegetables, cut in feed tube heights and pack tightly upright.

Food should fit snugly, but not so tightly that it prevents the pusher from moving.

When slicing or shredding, always use the pusher.

### **Never put your fingers or a spatula into the feed tube.**

Never push down hard on the pusher. Use light pressure for soft fruits and vegetables like bananas, mushrooms, strawberries and tomatoes, and for all cheese. Use medium pressure for most food: apples, celery, citrus fruit, potatoes and zucchini. Use firm pressure for hard vegetables like carrots and yams.

## **PRACTICING SLICING AND SHREDDING**

1. Insert a slicing or shredding disc, put the cover on the work bowl and insert the food in the feed tube.

2. Slide the pusher into place, and apply pressure to the pusher while pressing down the PULSE button. Release the button as soon as the food is sliced or shredded.

4. You can load the feed tube repeatedly without removing work bowl cover. Simply grasp the pusher and lift up. The pusher assembly will come off easily, leaving the cover and feed tube in place. Your other hand is free to reload the feed tube, and you do not need to re-press the ON button if it was previously selected.

## **REMOVING SLICED OR SHREDDED FOOD**

Before you do anything, wait for the disc to stop spinning. When it does, remove the pusher first. Unplug the unit, then hold the work bowl handle and turn it clockwise. Then lift; the work bowl and cover will come off together. Turn cover clockwise to unlock from work bowl. Lift, remove, invert and place on counter space.

### **Remove the slicing or shredding disc:**

Place two fingers under each side of the disc and lift it straight up. Place the disc on top of the inverted work bowl cover to minimize drips and spills.

## **TECHNIQUES FOR SLICING AND SHREDDING**

### **Small, round fruits and vegetables:**

For large berries, radishes and mushrooms, trim the bottom ends flat with a knife. Insert the food through the feed tube, standing each piece on a flat end. You can fill the tube to about 1 inch (2.5cm) from the top. The bottom layer gives you perfect slices for garnish. If you want all the slices to be perfect, it's best to process one layer at a time.

### **Long fruits and vegetables:**

Trim foods like bananas, celery and zucchini by cutting them into pieces slightly shorter than the feed tube. Cut both ends flat. (Use a ruler as a guide, or the pusher assembly.)

Fill the feed tube with the pieces, standing them vertically and adding enough pieces so they are solidly packed and cannot tilt sideways as they are sliced or shredded.

### **Small amounts of food:**

Use the small feed tube and the small pusher. Remove the small pusher from the pusher assembly. Place the pusher assembly onto the feed tube and press the sleeve all the way down.

Cut the food in lengths slightly shorter than the feed tube. If slicing one or two long, thin vegetables like carrots, push them to the far left. If you are slicing a few vegetables that are wide at one end and narrow at the other (carrots, celery or scallions) cut them in half and pack in pairs, alternating one wide end up, one narrow end up.



### **French-cut green beans:**

Trim fresh green beans to feed tube widths. Blanching not necessary. Stack in the

feed tube horizontally to about one inch from the top. Use the slicing disc, apply light pressure to the pusher and press the PULSE button until beans are sliced.

To make long, horizontal slices of raw zucchini or carrots, use the same procedure.

### **Matchsticks or julienne strips:**

Process the food twice – ‘double slice’ it. Insert large fruits or vegetables (potatoes, turnips, zucchini, apples) in the feed tube horizontally. Apply pressure to the pusher while pressing the PULSE button until the food is sliced. You will get long slices.

Remove the slices from the work bowl and reassemble. Reinsert them in the feed tube, wedging them in tightly. Slice them again. You will obtain long julienne strips. With the optional Square Julienne Disc, you can make square julienne strips in one operation.

## **SLICING MEAT AND POULTRY**

### **Cooked meat and poultry:**

The food must be very cold. If possible, use a piece of food just large enough to fit in the feed tube. To make julienne strips of ham, bologna or luncheon meat, stack slices, then roll or fold them double and stand upright in the feed tube, wedging in as many rolls as possible. This

technique works better with square or rectangular pieces than with round ones.

### **Uncooked meat and poultry:**

Cut the food into pieces to fit the feed tube. Boneless, skinned chicken breasts will usually fit when cut in half crosswise.

Wrap the pieces in plastic wrap and put them in the freezer. They are ready to slice when they are easily pierced with the tip of a sharp knife, although semi-frozen and hard to the touch. Remove plastic wrap. Stand them in the feed tube, cut side down, and slice them against the grain, using firm pressure on the pusher. Or lay them flat in the feed tube, as many as will fit, and slice with the grain, using firm pressure.

### **Frankfurters, salami and other sausages:**

If the sausage is soft, freeze it until hard to the touch but easily pierced with the tip of a sharp knife. Hard sausages need not be frozen. Use the small feed tube if the sausage is thin enough to fit. Otherwise, cut the sausage into pieces to fill the large feed tube completely. Stand the pieces vertically, packing them tightly so they cannot tilt sideways.

### **Firm cheese like Swiss and Cheddar:**

Cut the cheese into pieces to fit the feed tube. Put it in the freezer until semi-frozen, hard to the touch but easily pierced with the tip of a sharp knife.

Stand the pieces in the feed tube and apply light pressure to the pusher.

**IMPORTANT:** Never try to slice soft cheese like mozzarella or hard cheese like parmesan. You may damage the slicing disc or the food processor itself. You can successfully shred most cheeses except soft ones. The exception is mozzarella, which shreds well if thoroughly chilled. Hard cheeses like Parmesan shred well only at room temperature.

Therefore, only attempt to slice or shred mozzarella when well chilled, and Parmesan when at room temperature.

## **TECHNIQUES FOR KNEADING YEAST DOUGH WITH THE POWERPREP® METAL DOUGH BLADE**

The Limited Edition Metal™ Ultimate Food Prep Centre is designed to mix and knead dough in a fraction of the time it takes to do it by hand. You will get perfect results every time if you follow these directions.

### **NEVER TRY TO PROCESS DOUGH THAT IS TOO STIFF TO KNEAD COMFORTABLY BY HAND.**

There are two general types of yeast dough. Typical bread dough is made with a flour mix that contains at least 50% white flour. It is uniformly soft, pliable and slightly sticky

when properly kneaded.

It always cleans the inside of the work bowl completely when properly kneaded.

Typical sweet dough contains a higher proportion of sugar, butter and/or eggs than typical bread dough. It is rich and sticky and it does not clean the inside of the work bowl.

It requires less kneading after the ingredients are mixed. Although 30 seconds is usually sufficient, 60 to 90 seconds gives better results if the machine does not slow down. Except for kneading, described below, the processing procedures and use of the DOUGH button are the same for both types of dough.

#### Machine capacity:

Recommended maximum amount of flour is 6 cups (1.5L) of all-purpose flour or 3-1/2 cups (875ml) of whole-grain flour. If a bread dough calls for more than the recommended amounts of flour, mix and knead it in equal batches. Do the same for sweet doughs that call for more than 3-1/2 cups (875ml) of flour.

#### Using the right blade:

Use the metal dough blade when the recipe calls for more than 3-1/2 cups (17-1/2 ounces) (875 ml) of flour. Use the metal chopping blade when a recipe calls for less than 3-1/2 cups (875 ml) of flour.

Because the metal dough blade does not extend to the outside rim of the work bowl, it cannot pick up all the flour when small

amounts are processed.

#### Measuring the flour:

It's best to weigh it. If you don't have a scale, or the recipe does not specify weight, measure by the stir, scoop and sweep method. Use a standard, graduated dry measure, not a liquid measuring cup.

With a spoon or fork, stir the flour in its container. Do not measure flour directly out of the bag; it is too packed to get an accurate measure. With the dry measure, scoop up the flour so it overflows. With a spatula or knife, sweep excess flour back into the container so the top of the measure is level. Do not pack flour into the dry measure.

---

## SLICING AND SHREDDING CHEESE

TYPE OF CHEESE	CHOP	SHRED	SLICE
<b>Soft</b>	yes	no	no
Brie, Camembert			
Mozzarella (chilled 15-20 min in freezer)		yes	
Ricotta		no	
Cottage, Cream		no	
<b>Semi-Soft</b>	yes	yes	no
Blue	chill		
Fontina			
Liederkranz	chill		
Bel Paese	chill		
<b>Semi-Hard</b>	yes	yes	yes
Cheddar	chill	chill	
Monterey Jack, Longhorn	chill	chill	
Swiss, Jarlsberg	chill	chill	
Edam, Gouda	chill	chill	
Provolone	chill	chill	
<b>Hard</b>	yes	yes	no
Parmesan, Romano	room		
Pecorino, Sapsago, Asiago	temp.		



## **Proofing the yeast:**

The expiration date is marked on the packages. To be sure your yeast is active, dissolve it in a small amount of warm liquid (about 1/3 cup [75 ml] for one package of dry yeast). The temperature of liquid used to dissolve and activate yeast must be between 105 and 120°F(40°C and 48°C).

Yeast cells are not activated at temperatures lower than this and they die when exposed to temperatures higher than 130°F (54°C). If the recipe includes a sweetener like sugar or honey, add a teaspoon with the yeast. If no sweetener is called for, add a pinch, or add a pinch of flour. The yeast won't foam without it. Let the mixture stand until it foams, up to 10 minutes.

## **Processing dry ingredients:**

Put the flour in the work bowl with all the other dry ingredients. If the recipe calls for herbs, oil or solid fats like butter, add them with the flour. Turn the machine on and let it run for about 20 seconds. (Cheese, nuts and raisins may be added with the dry ingredients or during the final kneading. To leave them almost whole, add them 5 seconds before you stop kneading. For a finer texture, add them sooner.)

## **Adding liquids:**

All liquid should be added through the feed tube while the machine is running. Add liquid in a slow, steady stream, only as fast as dry ingredients absorb it. If

liquid sloshes or splatters, stop adding it but do not turn off the machine. Wait until ingredients in bowl have mixed, then add remaining liquid slowly. Pour liquid onto dough as it passes under feed tube opening. Do not pour liquid directly onto bottom of bowl.

Follow the recipe carefully. It is important to add enough liquid to make the dough soft enough to knead. Kneading dough that is too stiff can strain the machine.

All liquid except that used to activate yeast should be cold, to minimize the possibility of overheating the dough. You must never knead a yeast dough to a temperature higher than 100°F (37°C). Doing so will slow or even prevent the action of the yeast.

## **Kneading bread dough:**

Do not try to use the machine to knead dough that is too stiff to knead comfortably by hand. Doing so can strain the machine.

After the dough starts to clean the inside of the work bowl completely and forms a ball, process it for 60 seconds to knead it. Stop the machine and test the dough to be sure it's properly kneaded. Typical bread dough should have a soft, pliable texture and it should feel slightly sticky. Stretch the dough with your hands to test it. If it feels hard, lumpy or uneven, continue processing until it feels uniformly soft and pliable. Make sure that the blade is firmly pressed back into

place after removing the dough to test it.

## **Kneading sweet dough:**

Process dough for at least 30 seconds after all the ingredients are incorporated. It will not clean the inside of the work bowl. If necessary, scrape the bowl and process for 5 more seconds.

## **Rising:**

Put the dough in a large, lightly floured plastic bag. Squeeze out all the air and close the end with a wire twist, allowing space for the dough to rise.

Or, put the ball of dough in a large bowl coated with soft butter or vegetable oil. Roll the dough around to coat its entire surface. Cover it with a damp towel or a piece of oiled plastic wrap.

Let it rise in a warm, draft-free place, about 80°F (26°C). The rising time is usually about 1-1/2 hours but will vary from 45 minutes to several hours, depending on the type of flour and the humidity of the air. To test if the dough has risen enough, stick a finger in it. An indentation should remain. If it doesn't, let the dough rise more and test again.

When it has risen enough, punch the dough down.

## **Shaping, finishing and baking:**

If you shape the dough in loaf pans, fill pans only half full. Let rise until dough is just slightly above the top of the pan. If shaping

free-form loaves, let them rise on an oiled baking sheet until at least doubled in bulk.

### **Making consecutive batches:**

You can make several batches of bread dough in a row. The motor in the Limited Edition Metal™ Ultimate Food Prep Centre is extremely efficient.

## **TYPICAL BREAD DOUGH: PROBLEMS AND SOLUTIONS IF DOUGH BLADE DOESN'T INCORPORATE INGREDIENTS**

Always start processor before adding liquid. Add liquid in slow, steady stream, only as fast as dry ingredients absorb it. If you hear liquid sloshing, stop adding it but do not turn off machine. Instead, wait until ingredients in work bowl have mixed, then add remaining liquid slowly. Pour liquid onto dough as it passes under feed tube; do not pour liquid directly onto bottom of work bowl.

### **Blade rises in work bowl:**

Blade may not have been pushed down as far as possible before processing started.

Excessively sticky dough can cause blade to rise even though it cleans inside of work bowl. If dough feels very sticky, reinsert blade and immediately add 2 tablespoons (30 ml) flour through feed tube while machine is running.

### **Dough doesn't clean inside of work bowl:**

- Amount of dough may exceed maximum capacity of your food processor. Remove half and process in 2 batches.
- Dough may be too dry. If it feels crumbly, add water, 1 tablespoon (15 ml) at a time, while machine is running, until dough becomes moist and cleans inside of work bowl. Wait 10 seconds between additions of water.
- Dough may be too wet. While machine is running, add 1 tablespoon (15 ml) of flour. If necessary, add more, 1 tablespoon (15 ml) at a time, until dough cleans inside of work bowl and forms a ball.
- PowerPrep® Metal Dough Blade is intended only for recipes calling for at least 3-1/2 cups of flour (17-1/2 ounces) (875 ml). If your recipe calls for less flour, remove metal dough blade and insert metal chopping blade. Always use metal chopping blade for recipes calling for less than 3-1/2 cups (875 ml) of flour, such as pizza dough.

### **Nub of dough forms on top of blade and does not become uniformly kneaded:**

Stop machine, carefully remove dough, divide into 3 pieces and redistribute evenly in work bowl. Continue processing until dough is uniformly soft and pliable.

### **Dough feels tough after kneading:**

Divide dough into 2 or 3 pieces and redistribute evenly in bowl. Process 10 seconds or until uniformly soft and pliable.

### **Soft dough or liquid leaks onto base of food processor:**

Always start processor before adding liquid and add liquid only as fast as dry ingredients absorb it.

### **Motor stops:**

- Cover may have become unlocked.
- Power cord may have become unplugged.
- Excessive strain may have caused motor to overheat and stop. Wait for the motor to cool, 5-10 minutes. A safety protector in the motor prevents excessive overheating. If the motor stops, turn machine off. After 5-10 minutes, divide dough into 2 batches and complete processing. Pinch dough to make sure that it is not too stiff to knead comfortably by hand. If it is, add liquid, 1 teaspoon (5 ml) at a time, until dough is sufficiently moist to clean inside of bowl.

### **Dough doesn't rise:**

We recommend you always test activity of yeast before using, by stirring it and at least 1/2 teaspoon (2 ml) sugar into about 1/3 cup (80 ml) warm liquid (105 - 120°F) (40 - 48°C). Within 10 minutes foam should develop, indicating yeast is active. Do not use dry yeast after expiration date on package.

Do not use warmer water, or overheat dough with excessive kneading as it may kill the yeast cells. All other liquid should be cold.

Don't knead so long that dough becomes overheated. The ideal temperature for kneaded dough is 80°F (26°C); it should never exceed 100°F (37°C).

Let dough rise in draft-free environment of about 80-90°F (26-32°C).

Dough containing whole grain flour will take longer to rise than dough made of white flour only.

### **Baked bread is too heavy:**

Next time, feel dough to be sure it is uniformly soft, pliable and slightly sticky before setting aside to rise. Let dough fully double in bulk in bowl or bag, punch it down, then let it double again after it is shaped.

## **PROBLEMS AND SOLUTIONS WITH TYPICAL SWEET DOUGHS**

### **Motor slows down:**

- Amount of dough may exceed maximum capacity. Remove half, and process in 2 batches.
- Don't process too long after all ingredients have been incorporated. Rich doughs will give you good results after only 30 seconds of kneading.

### **Blade doesn't incorporate ingredients:**

Butter or margarine, if not melted, must be cut into tablespoon-size pieces

before being added to work bowl.

### **Metal dough blade rises in work bowl:**

Blade may not have been pushed down as far as possible before processing started. Machine may be overloaded. Remove half of dough and process in 2 batches.

### **Motor stops:**

See comments under 'Typical Bread Dough' Problems and Solutions

### **Dough doesn't rise:**

See comments under 'Typical Bread Dough' Problems and Solutions

## **OPERATING INSTRUCTIONS: FOR WHISK ATTACHMENT**

The Cuisinart whisk attachment connects to the motor shaft of the Limited Edition Metal™ Ultimate Food Prep Centre much the same way as the discs do. The two stainless steel whisks rotate rapidly as the power unit slowly revolves the work bowl, to continuously aerate food. The whisk attachment produces extra-light egg whites to let you make meringue shells with half the usual amount of sugar. It whips cream to soft or stiff peaks and produces fluffy mashed potatoes. It also makes chiffon cakes, light, airy soufflés, and fluffy meringues for pies. Before use, clean the entire whisk attachment. Wipe the power unit with a damp cloth and dry. **DO NOT SUBMERGE IN**

**WATER.** The other parts can be rinsed in hot, soapy water and then dried.

### **THE PARTS:**

The power unit is smooth on top except for the whisk ejector tab at the wide end. On the underside are two openings to attach the whisks. In the centre is a hexagonal rod with a grooved collar. The rod fits into an opening on the adapter. At the narrow end of the power unit is a base with two tabs which can act as a rest when the base is not in use.

The two whisks are made of stainless steel. The circular stems fit into openings on the underside of the power unit. Guards at the top of the stems prevent food from getting into the sealed power unit.

The adapter locks onto the motor shaft. The adapter consists of a clear plastic outer sheath and a white plastic inner sheath that fit over the motor shaft.

### **TO ASSEMBLE:**

1. To insert the whisks, hold the power unit in one hand with the underside facing you, wide end at the top. Insert whisks into openings at wide end. Push whisks in as far as they will go. They will click into a locked position. The circular guard on the stem of the whisk should almost touch the white plastic collar around the opening.
2. To lock the adapter to the motor shaft of the Limited Edition Metal™

Ultimate Food Prep Centre, with the work bowl in place, hold the adapter with the fixed ring at the bottom. Be sure the ring is loose and not over the sheath. Line up the shape of the inner sheath with the shape of the motor shaft. Gently push down the adapter as far as it will go. The narrow top of the adapter will rest firmly on the centre tube of the work bowl. The bottom of the adapter should sit about an inch above the bottom of the shaft. Snap the removable ring over the top of the adapter to lock the adapter into place.

3. To connect the power unit to the adapter, hold the unit with the whisks down. Place the power unit over the adapter so the hexagonal rod in the centre fits the matching opening in the inner sheath of the adapter. **PUSH THE POWER UNIT DOWN AS FAR AS IT WILL GO.** The bottom of the whisks should be about a dime's width from the bottom of the work bowl. Twist the power unit **COUNTERCLOCKWISE** to lock it into the adapter.
4. Replace the cover of the work bowl. The power unit of the whisk attachment should not touch the cover. If it does, remove the cover be sure the adapter is pushed down over the motor shaft as far as it will go, and the whisks are pushed into the power unit as far as they will go.

You are now ready to begin using the whisk attachment. Press the ON lever to activate rotation.

### **REMOVING THE WHISK ATTACHMENT:**

1. Remove the cover from the work bowl.
2. Grasp the power unit of the whisk attachment and twist it **CLOCKWISE** to unlock it from the adapter. Pull straight up to remove. You may stand the power unit on the counter, resting it on the base feet.
3. Press the whisk ejector tab and ease whisks out gently with a spatula.
4. Remove processed food from the work bowl and whisks with a spatula.
5. Unlock the adapter from Limited Edition Metal™ Ultimate Food Prep Centre motor shaft by popping one side of the steel ring off the adapter.
6. Grasp the adapter and pull it straight up, twisting **COUNTERCLOCKWISE** as you do so. Be careful not to squeeze the steel rod against the adapter.

### **CLEANING THE PARTS:**

Once the whisk attachment has been removed from the work bowl it can be quickly and easily cleaned. All parts are dishwasher safe **EXCEPT** the white power unit. Keep parts free of any trace of oil or grease before storing. Any traces of oil or grease will prevent the whisks from working at full potential when next used, i.e. egg whites will not rise to maximum volume.

If there is any grease on the adapter or on the centre tube of the work bowl, the whisks may not rotate or the power unit may reverse direction. Should this happen, disassemble the parts and thoroughly clean both the adapter and the work bowl.

The power unit must not be submerged in water or any liquid. Wipe it clean with a sponge or damp cloth. Dry immediately.

## **TECHNIQUES FOR WHIPPING, BEATING WITH THE WHISK ATTACHMENT**

### **Safe food handling procedures:**

The whisk attachment is not recommended for whipping raw egg whites to be folded into a dish that will not be cooked.

### **Beating Egg Whites:**

1. You can beat up to 8 large egg whites.
2. The eggs should be at room temperature for best results. Egg whites do not rise as high when they are cold. Eggs can be warmed from the refrigerator by running them under hot tap water.
3. Separate the eggs carefully. Even the slightest trace of yolk will prevent the whites from rising to the maximum volume. It's a good idea to separate each egg over a small bowl, then add the egg white to the work bowl.

This will prevent egg yolks from getting into the saved egg white.

4. For good results, all tools must be absolutely clean, dry and free from any trace of grease or oil.
5. Add a pinch of salt or cream of tartar through the small feed tube when the eggs begin to foam.
6. If the recipe calls for sugar, add it gradually, about 2 tablespoons (30ml) at a time. This too can be added through the small feed tube as the egg whites begin to form soft peaks. Once the egg whites start to stiffen, stop the machine and use a spatula to brush the sugar off the top of the power unit and from the sides of the work bowl.
7. Rub a pinch of whites between your fingers. If it feels grainy, the sugar is not completely dissolved and the whites should be beaten a little longer.

### **Folding Beaten Egg Whites into Base Mixture:**

1. Once the egg whites are beaten, fold them into the base mixture as soon as possible. They deflate as they stand.
2. The metal blade of your food process will fold the egg whites into the base efficiently. Add a big spoonful of whites and pulse to combine. This lightens the base. Add the remaining whites on top of the base mixture and combine with short pulses until the egg whites are just mixed with the base. It is better to have some whites

showing than to over mix.

3. If folding by hand, draw a spatula from the centre of the bowl toward you, moving it down in the centre and scooping it up to the rim. This folds the egg whites into the heavier base mixture. Rotate the bowl a quarter turn clockwise and repeat the motion with the spatula. Continue rotating the bowl and folding with the spatula until all the whites are incorporated.

Whichever way you fold in the egg whites, use a light touch. It is important to incorporate the whites thoroughly while working them as little as possible, to avoid deflating them.

### **Freezing Leftover Egg Yolks:**

When you make recipes that use a lot of egg whites, you always face the questions of what to do with the yolks. They freeze very well if you add a little sugar. Add 1 tablespoon (15ml) of sugar for each egg yolk, beat lightly to combine, and freeze the mixture in airtight containers.

The whisk attachment may be used to prepare a packaged cake mix. For best results, ingredients should be at room temperature; butter, if used, should be softened, not melted. Eggs can safely be warmed by placing them in a bowl or warm tap water for 5 to 10 minutes.

Add the dry mix to the work bowl. Whisk for 20 seconds

to aerate and remove any lumps. For cake mixes that use oil, add the oil and eggs.

Whisk for 15 seconds while adding the water through the small feed tube. Scrape the bottom and sides of the work bowl. Then whisk for 2 minutes. For cake mixes that use butter, cut the softened (not melted) butter into tablespoon size pieces. Add the butter and eggs to the work bowl. Whisk for 15 seconds while adding the water through the small feed tube. Scrape the bottom and sides of the work bowl. Whisk for the time recommended on the package instructions for using a power mixer.

## **CLEANING AND STORAGE**

Keep your food processor ready to use on a kitchen counter. When not in use, leave it unplugged. Don't leave it with the pusher assembly in the locked position; this could damage the on-off mechanism.

Store the blades and discs as you would sharp knives, out of the reach of children. The disc and blade holders are optional accessories which offer safe and convenient storage.

All parts except the housing base are dishwasher safe, and we recommend washing them in the dishwasher on the **top rack**. Due to intense water heat washing the work bowl, cover and accessories on the bottom rack may cause damage over time. Insert the work bowl upside down. Remember to unload the dishwasher carefully



wherever you place sharp blades and discs.

To simplify cleaning, rinse the work bowl, cover, pusher assembly and blade or disc immediately after use so food won't dry on them.

Openings at the bottom of the large pusher provide drainage and make cleaning easy. If food lodges in the pusher, remove it by running water through it, or use a bottle brush.

If you wash blades and discs by hand, do it carefully. Avoid leaving them in soapy water where they may disappear from sight. To clean the metal blade, fill the work bowl with soapy water, hold the blade by its plastic centre and move it rapidly up and down on the centre shaft of the bowl. Use of a spray attachment is also effective. If necessary, use a brush.

The work bowl is made of Lexan® (plastic), which is shatter resistant and heat resistant. It should not be placed in a microwave oven, as the aperture at the front of the pusher houses the metal rod that activates the motor.

**TIP:** When preparing a meal, make the dishes with the least amount of wet ingredients first. For example, make the bread first; then you don't need to wash the bowl before making the salad. In many cases, wiping the bowl with a paper towel between recipes is sufficient.

Chopping certain foods may scratch or cloud the work bowl. These foods

include ice, whole spices, coffee beans and oils like wintergreen. If you like to prepare your own spice blends, you may want to keep a second bowl just for that purpose.

The base housing is made of a tough plastic with high impact resistance. Its smooth surface will look new for years. Keep a sponge handy as you work, and wipe spills from the base.

Four rubber feet on the underside keep the base from moving on most work surfaces when the machine is processing heavy loads. If the feet leave spots on the counter, spray them with a spot remover like Fantastick or K2-R and wipe with a damp sponge. If any trace of the spot remains, repeat the procedure and wipe the area with a damp sponge and nonabrasive cleaning powder.

To clean the inside of the detachable stem, slide the stem release button on the side up as far as it will go and hold it there as you run water through the stem.

**IMPORTANT:** Never store any blade or disc on the motor shaft. No blade or disc should be placed on the shaft except when the processor is about to be used.

## FOR YOUR SAFETY

Like all powerful electrical appliances, a Food Processor should be handled with care. Follow these guidelines to protect you and your family from misuse that could cause injury.

Handle and store metal blades and discs carefully. Their cutting edges are very sharp.

Always place discs on flat stable surface before connecting detachable stem.

Never put blades or discs on the motor shaft until the work bowl is locked in place.

Always be sure that the blade or disc is down on motor shaft as far as it will go.

Always insert chopping blade and dough blade in the work bowl before putting ingredients in bowl.

When slicing or shredding food, always use the pusher. Never put your fingers or spatula into feed tube.

Always wait for the blade or disc to stop spinning before you remove the pusher assembly or cover from the work bowl.

Always unplug the unit before removing food, cleaning, or putting on or taking off parts.

Always remove work bowl from base of machine before you remove chopping blade or dough blade.

Be careful to prevent the chopping blade from falling out of the work bowl when emptying the bowl. Remove it before tilting bowl, or hold it in place with your finger, a spatula or a spoon.

## TECHNICAL DATA

The motor in your food processor operates on standard line operating current. The appropriate voltage and frequency for your machine are shown on a label under the base.

An automatic, temperature-controlled circuit breaker in the motor ensures complete protection against motor burnout. If the processor runs for an exceptionally long time when chopping, mixing or kneading a thick or heavy mixture in successive batches, the motor may overheat. If this happens, the processor will stop. Turn it off and wait for the motor to cool before proceeding. It will usually cool within 10 minutes. In extreme cases, it could take an hour.

Safety switches prevent the machine from operating when the work bowl or the cover is not locked into position. The motor stops within seconds after it has been turned off, and a fast-stop circuit stops it instantly when the pusher assembly is removed.

Cuisinart® offers a Limited Three-Year Warranty on the entire machine.

## FULL TWENTY-YEAR WARRANTY ON MOTOR

This warranty supersedes all previous warranties on Cuisinart® Limited Edition Metal™ Ultimate Food Prep Centre.

This warranty is available to consumers only. You are a consumer if you are the owner of a Cuisinart® Limited Edition Metal™ Ultimate Food Prep Centre that was purchased at retail for personal, family or household use.

This warranty is not available to retailers or other commercial purchasers or owners.

We warrant that the motor for your Cuisinart® Limited Edition Metal™ Ultimate Food Prep Centre will be free of defects in material or workmanship under normal home use for twenty years from the date of original purchase.

This motor warranty covers the motor and excludes all other parts in the motor base assembly area such as the upper and lower plastic housings, work bowl and cover, blades and all electrical components and vertical projecting motor shaft sheath.

We suggest you complete and return the enclosed product registration card promptly to facilitate verification of original purchase date. However, return of the product registration card does not eliminate the need for the consumer to maintain the original proof of purchase in order to obtain the warranty benefits. In the event that you do not have proof of purchase date, the purchase date for purposes of this warranty will be the date of manufacture.

If your Cuisinart® Limited Edition Metal™ Ultimate Food Prep Centre should prove to be defective within the warranty period, we will repair it, or if we think necessary replace it, without charge to you.

To obtain warranty service, simply call our toll-free number 800-472-7606 for additional information from our Customer Service Representatives or send the defective product to Customer Service at Cuisinart, 156 Parkshore Drive, Brampton, Ontario L6T 5M1

### DO NOT SEND CASH.

Please be sure to include your return address, daytime phone number, description of the product defect, product serial number, original date of purchase, and any other information pertinent to the product's return.

Your Cuisinart® Limited Edition Metal™ Ultimate Food Prep Centre has been manufactured to the strictest specifications and has been designed for use with the authorized accessories and replacement parts.

This warranty expressly excludes any defects or damages caused by accessories, replacement parts, or repair service other than those that have been authorized by Cuisinart.

This warranty excludes all incidental or consequential damages.



**Warning:**

Our Limited Edition Metal™ Ultimate Food Prep Centre, and other Cuisinart® Food Processors and Accessories have been carefully designed and manufactured with the highest quality materials to assure your satisfaction and safety when you use them.

Although accessories sold by companies other than Cuisinart may be compatible with your Cuisinart machine, they may also be extremely dangerous, and expose the user to serious injury.

We specifically caution you not to use other brand accessories, such as juicers, which permit your machine to operate with exposed cutting or shredding discs. We also caution you not to use the large feed tube on this machine with machines built by other manufacturers.

If you have any questions about the safety features of Cuisinart® Limited Edition Metal™ Ultimate Food Prep Centre or any other Cuisinart® product, please call us at the toll-free number above.

# Cuisinart®

SAVOR THE GOOD LIFE®



Coffeemakers



Choppers



Toasters



Blenders



Cookware



Ice Cream  
Makers

Cuisinart offers an extensive assortment of top quality products to make life in the kitchen easier than ever. Try some of our other countertop appliances and cookware, and Savor the Good Life®.

**[www.cuisinart.ca](http://www.cuisinart.ca)**

©2003 Cuisinart  
Cuisinart® is a registered  
trademark of Cuisinart

Cuisinart Canada  
156 Parkshore Drive  
Brampton, Ontario L6T 5M1

Consumer Call Centre Email:  
[consumer\\_canada@conair.com](mailto:consumer_canada@conair.com)

03CC18070

IB-4723-CAN

## Free Manuals Download Website

<http://myh66.com>

<http://usermanuals.us>

<http://www.somanuals.com>

<http://www.4manuals.cc>

<http://www.manual-lib.com>

<http://www.404manual.com>

<http://www.luxmanual.com>

<http://aubethermostatmanual.com>

Golf course search by state

<http://golfingnear.com>

Email search by domain

<http://emailbydomain.com>

Auto manuals search

<http://auto.somanuals.com>

TV manuals search

<http://tv.somanuals.com>